

IKEA 365+ SÄNDA

DESIGN

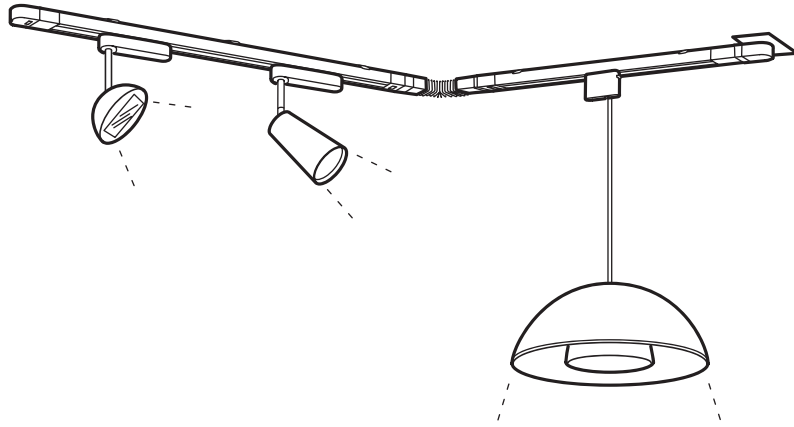
Anne Nilsson/Henrik Preutz/
Torbjörn Eliasson

GOOD TO KNOW

Maximum load on one track
system of one or more tracks
is 1700W.

SAFETY

Minimum safety distance
to illuminated object for
spotlights: 13".



Personal, simple – and discreet

IKEA 365+ SÄNDA is a flexible track system that makes it easy to create personal lighting in your home. You can vary and combine the system as you like and adapt it to your needs. Connect the tracks in a straight run or at an angle and combine spotlights with ceiling lamps to get just the light you need. The system is discreet, takes little room and has a timeless design. That makes it easy to blend in and adapt to your personal style.

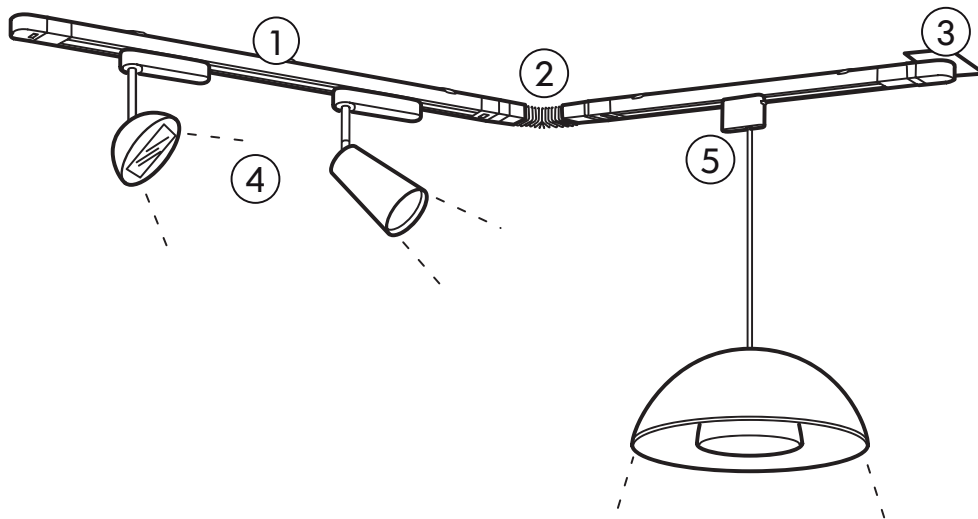


Design and Quality
IKEA of Sweden

A high standard of accuracy has been sought in the preparation of this brochure.
We apologize for, but will not be bound by or responsible for, errors and omissions in this brochure.

All the products (shown here) may not be available at the store. Some prices may vary by store.
Please contact the staff or visit www.IKEA-USA.com for more information. For more detailed product information,
see the price tag and the Internet. All units require assembly.

HOW TO CHOOSE



1. Build your own system.

With IKEA 365+ SÄNDA track system it's easy to find a solution for every lighting need. Start by thinking about where you want your light and how much light you need, and then choose the right size of track. The tracks come in two different lengths – 2'4" (28") and 3'9" (45"). They can be connected in a straight run, at an angle, or in a T or cross layout. The short track has room for max three spotlights and the long track has room for max five. Maximum load on one track system of one or more tracks is 1700W. Different ceiling materials require different types of fasteners. Always choose screws and plugs that are specially suited to the ceiling material that the track will be attached to.

2. Put it at any angle you like.

If you need to connect your track system at an angle – for instance when continuing the system around a corner or connecting tracks where the ceiling height differs – use IKEA 365+ SÄNDA connector with flexible joint. You can also choose to use 3- and 4-way connectors to make T layout or cross layout combinations that cover the entire room with light. The different connection possibilities give you increased versatility and make it easier to adapt the system to your home and your lighting needs.

3. Connect to the ceiling.

Connect the track system with the help of a power connector that requires hardwire installation.

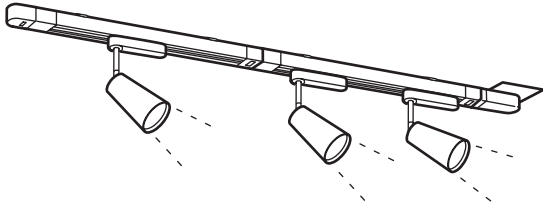
4. Light up, narrow and wide.

The track system includes two directional spotlights that spread light beams of different widths. One has a narrow beam for lighting up individual details, like pictures and other objects, and one has a wide beam for lighting up larger areas, for example part of a wall or a bookcase. The spotlights are simple to direct and move along the track whenever your lighting needs change. And they're also designed for an easy change of light sources when needed.

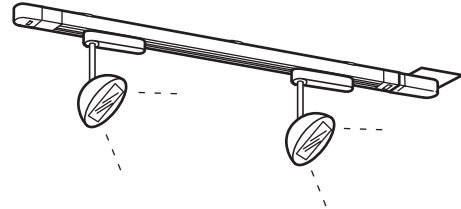
5. One system for several lighting needs.

With the help of a line voltage adapter you can connect ordinary pendant lamps to the track system. This means that you can combine the light from spotlights and pendant lamps – and solve several different lighting needs in your home with one and the same track system. If your needs change, it's simple to move the adapter along the track or change to another lamp. You can connect lamps that weigh max 11 lbs to the adapter. You can also use lamps that have one support wire.

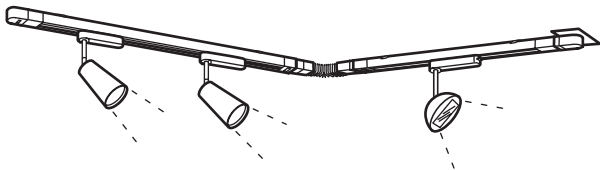
COMBINATIONS



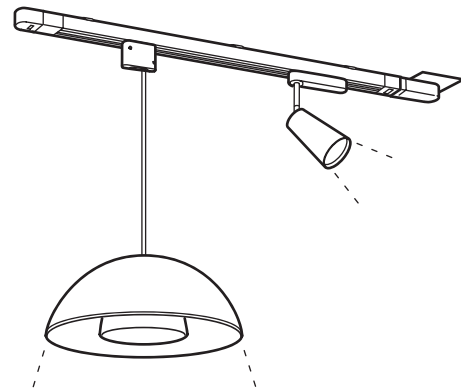
Track 2'4" (28"), 2 pcs, spotlight 3" x 3 pcs and power connector. This combination **\$110**



Track 3'9" (45"), spotlight 4" x 2 pcs and power connector. This combination **\$75**



Track 2'4" (28") x 2 pcs, connector with flexible joint, spotlight 3" x 2 pcs, spotlight 4" and power connector. This combination **\$120**



Track 3'9" (45"), spotlight 3", line voltage adapter for connection of pendant lamp and power connector. This combination **\$55***
*pendant lamp not included in price

ALL PARTS AND PRICES



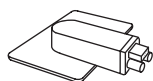
Track 2'4" (28"). Possible to connect tracks in a straight run or at an angle; create a track system according to your lighting needs. Maximum load in one track system of one or more tracks is 1700W. Room for maximum 3 spotlights. To be used for hardwire installation with a power connector. For ceiling mounting only. Screws sold separately.

101.492.46 **\$15**



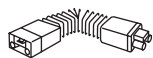
Track 3'9" (45"). Possible to connect tracks in a straight run or at an angle; create a track system according to your lighting needs. Maximum load in one track system of one or more tracks is 1700W. Room for maximum 5 spotlights. To be used for hardwire installation with a power connector. For ceiling mounting only. Screws sold separately.

001.492.42 **\$20**



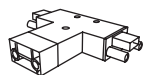
Power connector. Connects directly from the track to the ceiling wires.

101.492.27 **\$5**



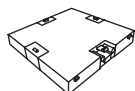
Connector with flexible joint. Flexible connection between tracks; possible to connect tracks at an angle sideways or up/down where the ceiling height differs. Can be angled up to 90 degrees.

001.492.18 **\$10**



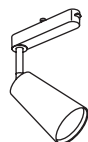
3-way connector. For connecting tracks in a T layout.

101.714.59 **\$15**



4-way power connector. For connecting tracks in a cross layout. The size helps conceal any cable holes in the ceiling. Connects from the track to the ceiling socket.

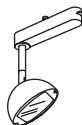
301.714.63 **\$20**



Spotlight 3". Concentrated light beam; good for highlighting a picture or other objects. Adjustable for easy directing of light. Flexible connection; easy to place spotlight along the track according to your lighting needs.

Light bulb sold separately. IKEA recommends LEDARE LED bulb GU5.3 200 lm.

402.627.16 **\$24.99**



Spotlight 4". Wide light beam; good for lighting up part of a wall or a bookcase. Adjustable for easy directing of light. Flexible connection; easy to place spotlight along the track according to your lighting needs. Frosted cover glass; makes the light glare free.

Light bulb sold separately. IKEA recommends HALOGEN G4 20W.

702.626.87 **\$24.99**



Line voltage adapter.

For connection of pendant lamp to IKEA 365+ SÅNDA track system.

Flexible connection; easy to place adapter along the track and to change lamp when your lighting need changes.

Possible to also connect pendant lamps equipped with one support wire.

Maximum weight for lamps connected to adapter is 11 lbs. Maximum load 150W.

Not compatible with low-voltage pendant lamps, pendant lamps with integrated dimmers, pendant lamps with more than one support wire or pendant lamps with a support chain.

See the price tag of the pendant lamp for information on it's compatibility with the IKEA 365+ SÅNDA track system.

001.492.23 **\$5**

*In compliance with California Title 20 regulations, lighting prices and features may vary in the state of California. Please see your local IKEA store for details.