

BUYING GUIDE

Professional office

2015



A high standard of accuracy has been sought in preparation of this brochure. We apologize for, but will not be bound by or responsible for, errors and omissions in this brochure.

All the products (shown here) may not be available at the store. Some prices may vary by store. Please contact the staff or visit IKEA-USA.com for more information. For more detailed product information, see the price tag and the Internet. All units require assembly.



Furniture for every office

We have furniture for every kind of office – from the small to the fully staffed. And everything to make a modern company run smoothly and efficiently, from desks, storage and chairs, down to lamps and desk accessories. Choose between desks of different sizes and shapes, comfortable work chairs that support your back – and finish by creating a unique storage solution for your needs. At IKEA our office furniture has great design, smart functions and high quality. And it's been tested for office use so you can be sure it can take tough days at work – year after year.

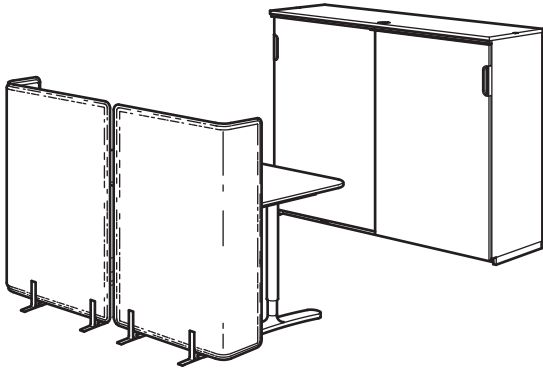
Do it yourself or let us help

Just because you can do everything yourself, doesn't mean you have to. Let us help make your office solution a reality with our service offers like picking, home delivery, and assembly. Read more on the back page of this guide or at IKEA-USA.com.

CONTENT

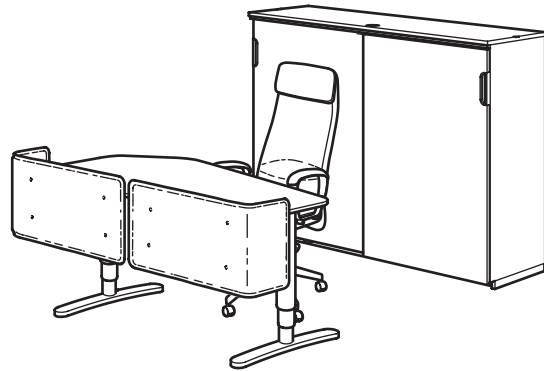
Desks and conference tables.....	4
Storage	10
Work chairs.....	16
Service offer	20

GOOD TO KNOW



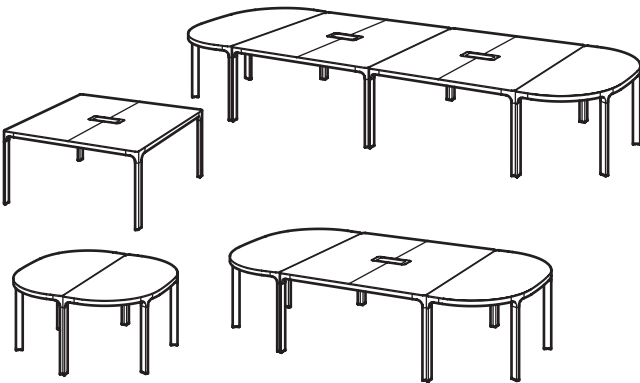
Versatile screens for many needs.

Our screens serve different needs. You can use them to create a pleasant and welcoming reception area, to provide privacy in an open plan office or to reduce sound. Or all these things. The screens come in two heights, 47¼" and 21½". The 47¼" screen stands alone on the floor. The 21½" screen attaches easily to BEKANT table top and can be mounted at two different heights, according to your needs.



Lots of room for storage on less space.

GALANT cabinet with sliding doors has plenty of room for all the binders and files you need near your desk – but takes less space. The doors slide instead of swinging out, so you don't waste precious space on swing room for the doors.



Combine to create your own conference table.

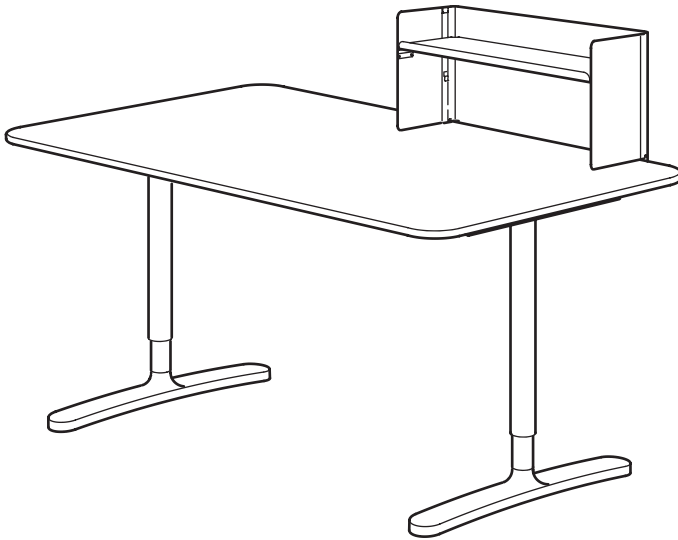
We have conference tables in two sizes – 55½×55½" and 55½×27½" half round. The half round table seats 3 and the 55½×55½" table seats 8. You can use them individually or combine them to seat as many people as you need. Simply rearrange the tables when your needs change. Attachment clips to connect the tables are included with the frames.



More desks in less space.

By placing desks back to back you can save space. You can do this with desks of different shapes and sizes. For instance, straight desks back to back or four corner desks with their corners meeting at the center. There are many possibilities. This back-to-back desk arrangement saves time and makes it easier for colleagues that work in teams to communicate and collaborate. You can also choose to put screens between the desks to create more individual and private work spaces.

DESKS AND CONFERENCE TABLES



Desks for many different needs

BEKANT desks come in many shapes and sizes, so it's easy to find one that perfectly suits your needs. You can choose between everything from a small desk to a corner desk with a generous depth that makes it perfect for computer work. There's even a 5-sided desk with a space for visitors. A net for cable management is included and helps you keep the area around your desk free of messy cords.

Tested for tough treatment

The BEKANT desk series have been tested according to the highest standards for professional office use (EN 527, ANSI/BIFMA X:5.5 for desks and EN14074, EN1730 and ANSI/BIFMA X:5.5 for conference tables) and meets our strict standards for quality and durability.

That means that the series has undergone a number of tough tests. All the desks are durable and can support heavy loads and the surfaces resist both scratches and stains. This makes BEKANT a reliable workmate that lives up to your high demands and can withstand hard work – day after day, year after year.

Free your creativity

BEKANT conference tables have a built-in solution for cable management. This means that you and your colleagues can use computers and projectors without lots of loose cords snaking around your coffee cups and papers. Focusing on the right things releases creativity.

Design

Karl Malmvall, Eva Lilja Löwenhielm

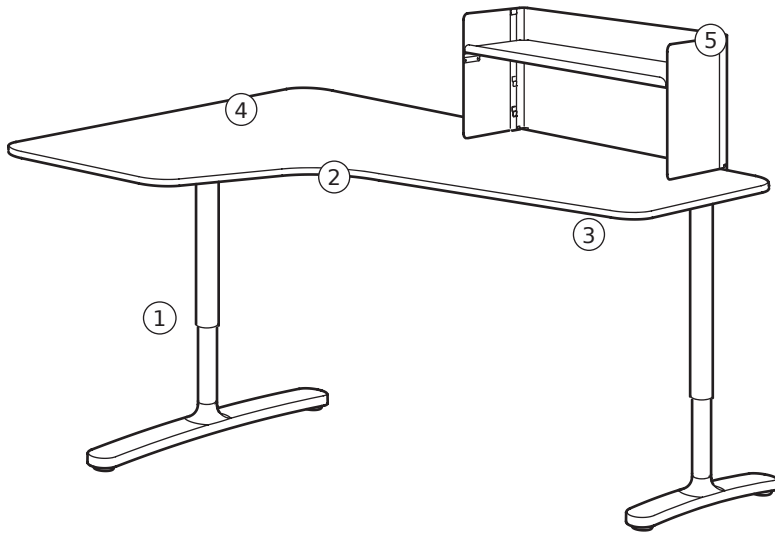
Care instructions

Wipe clean with a mild soapy solution.



Read more in the Limited Warranty brochure.

GOOD TO KNOW



1. Height adjustable legs allows you to assemble your desk at a height that suits you. 25 $\frac{5}{8}$ -33 $\frac{1}{2}$ ". If you have the sit/stand underframe you can raise and lower the desk with the touch of a button.

2. The curved shape of the table top gives support to your wrists and forearms when typing.

3. It's easy to keep your desk neat and tidy with the cable

management net under the table top.

4. Surfaces in veneer and melamine foil are durable, stain resistant and easy to keep clean.

5. BEKANT desktop shelf creates extra storage space and creates space on your desk.



With the BEKANT electric sit/stand underframe you can raise and lower your desk with a simple touch of a button. That helps you change your working positions often and keeps your body active. The lowest position for sitting is 22" and the highest for standing is 48".

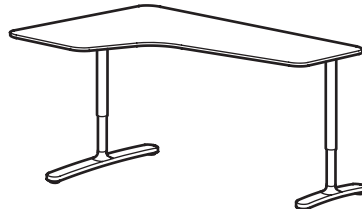
COMBINATIONS



Adjustable in height With our sit/stand desk you can adjust the height of the table top electrically from 22" to 48" to ensure an ergonomic working position. Changing positions between sitting and standing helps you move your body so you feel and work better.

This 63x31½" combination in white with an sit/stand underframe in black or white **\$469**

This 63x31½" combination in black-brown, birch, or gray with an sit/stand underframe in black or white **\$489**



Ergonomic work space The contoured table top provides support to the wrists and forearms when writing, relieving strain on your shoulders during long working hours.

This 63x43¼" corner desk combination in white with an underframe in black or white **\$219**

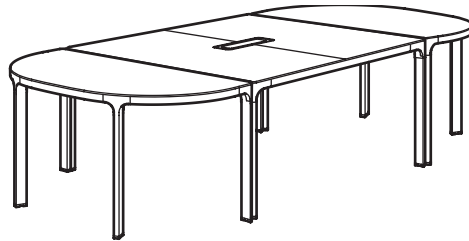
This 63x43¼" corner desk combination in black-brown, birch, or gray with an underframe in black or white **\$239**



5-sided desk Perfect if you have visitors often, as you can have your own work area on the left and plenty of room for a visitor on the right.

This 63x31½" combination in white with an underframe in black or white **\$199**

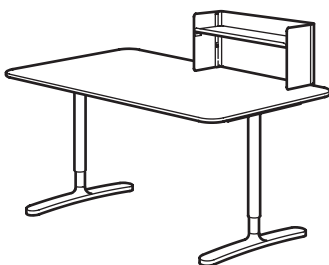
This 63x31½" combination in black-brown, birch, or gray with an underframe in black or white **\$219**



Meeting place The BEKANT conference table has a built-in solution for cable management to keep computers and projector cords organized and close at hand at the table.

This 110¼x55⅞" combination in white with an underframe in black or white **\$529**

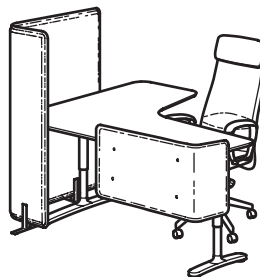
This 110¼x55⅞" combination in black-brown, birch, or gray with an underframe in black or white **\$589**



Within easy reach BEKANT desktop shelf creates extra storage space on your desk.

This 47¼x31½" combination in white with an underframe in black or white **\$178**

This 47¼x31½" combination in black-brown, birch, or gray with an underframe in black or white **\$198**

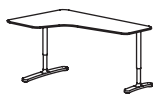









Create a private workspace The screen helps to increase concentration and productivity by providing privacy and absorbing sound.



This corner combination (excluding chair) in white with an underframe in black or white **\$397**

This corner combination (excluding chair) in black-brown, birch, or gray with an underframe in black or white **\$417**

BASIC COMBINATIONS

					
Size	63x43¼", left or right top	63x31½"	63x31½", 5-sided	55⅞x23⅞"	47¼x31½"
Table top in black-brown, birch, or gray with underframe in black or white	\$239	\$199	\$219	\$179	\$159
Table top with sit/stand underframe in black or white	\$659	\$489	\$499	—	—
Table top in white with underframe in black or white	\$219	\$179	\$199	\$159	\$139
Table top with sit/stand underframe in black or white	\$639	\$469	\$479	—	—

			
Size	55⅞x27½"	55⅞x55⅞"	Ø55⅞"
Table top in black-brown, birch, or gray with underframe in black or white	\$170	\$249	\$340
Table top in white with underframe in black or white	\$150	\$229	\$300

		
Size	1x 55⅞x55⅞" 2x 55⅞x27½" total= 110¼x55⅞"	2x 55⅞x55⅞" 2x 55⅞x27½" total= 165⅜x55⅞"
Table top in black-brown, birch, or gray with underframe in black or white	\$589	\$838
Table top in white with underframe in black or white	\$529	\$758

GALANT

		
Size	47¼x23⅞"	63x31½"
Table top in white with frame and leg in silver-color	\$79.99	\$99.99

ALL PARTS AND PRICES

DESKS



BEKANT corner table top, right 63x43 1/4" To be completed with BEKANT underframe for corner table top or underframe sit/stand for corner table top.

White	502.530.28	\$90
Birch veneer	902.530.31	\$110
Black-brown	902.530.26	\$110
Gray	302.530.29	\$110



BEKANT corner table top, left 63x43 1/4" To be completed with BEKANT underframe for corner table top or underframe sit/stand for corner table top.

White	102.530.25	\$90
Birch veneer	402.530.19	\$110
Black-brown	602.530.23	\$110
Gray	402.530.24	\$110



BEKANT table top 63x31 1/2" To be completed with BEKANT underframe for table top or underframe sit/stand for table top 63x31 1/2".

White	002.532.38	\$70
Birch veneer	702.532.30	\$90
Black-brown	402.532.36	\$90
Gray	602.532.35	\$90



BEKANT 5-sided table top 63x31 1/2" To be completed with BEKANT underframe for 5-sided table top or underframe sit/stand for table top 63x31 1/2".

White	802.532.15	\$80
Birch veneer	002.532.19	\$100
Black-brown	402.532.17	\$100
Gray	202.532.18	\$100



BEKANT table top 55 1/8 x 23 5/8" To be completed with BEKANT underframe for table top 55 1/8 x 23 5/8".

White	202.553.21	\$60
Birch veneer	702.553.14	\$80
Black-brown	202.553.16	\$80
Gray	802.553.18	\$80



BEKANT table top 47 1/4 x 31 1/2" To be completed with BEKANT underframe for table top 47 1/4 x 31 1/2".

White	602.531.84	\$50
Birch veneer	602.531.79	\$70
Black-brown	802.531.83	\$70
Gray	002.531.82	\$70



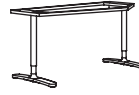
BEKANT underframe for corner table top 63x43 1/4" To be completed with BEKANT corner table top. You can mount the table top at a height that suits you, since the legs are adjustable between 25%-33 1/2".

White	102.529.74	\$129
Black	502.529.67	\$129



BEKANT underframe for table top 63x31 1/2" To be completed with BEKANT table top 63x31 1/2". You can mount the table top at a height that suits you, since the legs are adjustable between 25%-33 1/2".

White	902.529.08	\$109
Black	302.529.06	\$109



BEKANT underframe for 5-sided table top 63x31 1/2" To be completed with BEKANT 5-sided table top 63x31 1/2". You can mount the table top at a height that suits you, since the legs are adjustable between 25%-33 1/2".

White	902.546.53	\$119
Black	702.546.54	\$119



BEKANT underframe for table top 55 1/8 x 23 5/8" To be completed with BEKANT table top 55 1/8 x 23 5/8". You can mount the table top at a height that suits you, since the legs are adjustable between 25%-33 1/2".

White	902.553.27	\$99
Black	302.553.25	\$99



BEKANT underframe for table top 47 1/4 x 31 1/2" To be completed with BEKANT table top 47 1/4 x 31 1/2". You can mount the table top at a height that suits you, since the legs are adjustable between 25%-33 1/2".

White	302.529.11	\$89
Black	102.529.12	\$89



BEKANT underframe sit/stand for corner table top. To be completed with BEKANT corner table top, left or right. You can adjust the height electrically from 22-48" to ensure an ergonomic working position.

White	402.632.21	\$549
Black	602.632.20	\$549



BEKANT underframe sit/stand for table top 63x31 1/2" To be completed with BEKANT table top 63x31 1/2 or BEKANT 5-sided table top 63x31 1/2. You can adjust the height electrically from 22-48" to ensure an ergonomic working position.

White	502.632.25	\$399
Black	802.632.24	\$399

ALL PARTS AND PRICES



GALANT table top 63×31½" To be completed with GALANT frame 63" and GALANT A-legs.
White 101.347.87 **\$30**



GALANT table top 47¼×23⅝" To be completed with GALANT frame 47¼" and GALANT A-legs.
White 501.347.85 **\$20**



GALANT frame 63" for table top 63×31½".
Silver-color 000.568.84 **\$29.99**



Frame 47¼" for table top 47¼×23⅝".
Silver-color 200.568.83 **\$19.99**



A-leg, 1-p. Height adjustable 23⅝–35⅝". Assemble your desk at a height that suits you.
Silver-color 400.574.57 **\$10**

CONFERENCE TABLES



BEKANT conference table top 55⅝×55⅝". To be completed with BEKANT frame for table top 55⅝×55⅝".
White 502.673.08 **\$100**
Birch veneer 702.528.86 **\$120**
Black-brown 302.528.88 **\$120**
Gray 202.528.84 **\$120**



BEKANT conference table top half-round 55⅝×27½" To be completed with BEKANT frame for half-round table top 55⅝×27½".
White 902.673.06 **\$60**
Birch veneer 502.528.92 **\$80**
Black-brown 402.528.83 **\$80**
Gray 702.528.91 **\$80**

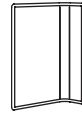


BEKANT frame for table top 55⅝×55⅝". To be completed with BEKANT conference table top 55⅝×55⅝".
White 402.528.78 **\$129**
Black 002.528.75 **\$129**



BEKANT frame for half-round table top 55⅝×27½" To be completed with BEKANT conference table top half-round 55⅝×27½".
White 802.528.76 **\$90**
Black 602.528.77 **\$90**

DESK ACCESSORIES



BEKANT screen 47¼" The screen creates a quiet and pleasant working environment by providing privacy and absorbing sound.
Gray 702.688.11 **\$109**



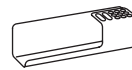
BEKANT screen 21⅝" The screen creates a quiet and pleasant working environment by providing privacy and absorbing sound. Can be mounted at two heights to suit different needs.
Gray 502.688.12 **\$69**



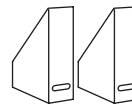
BEKANT desktop shelf 23⅝×12⅝" Attaches to BEKANT table tops for easy access storage that clears the desktop.
White 002.603.66 **\$39**
Black 902.603.62 **\$39**



KVISSLE letter tray Cork liner in the bottom keeps the papers in place. Pull-out compartments make it easy for you to access your papers. You can also turn the letter tray on its side if you want to store and organize your papers vertically.
White 701.980.31 **\$19.99**



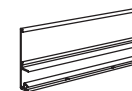
KVISSLE desk organizer Holds your pens, rulers, mobile phone, etc. Cork liner in the bottom keeps things in place.
White 101.980.29 **\$5.99**



KVISSLE magazine file, set of 2. Sizes: 3¾×9⅝×12⅝" and 4×10×12⅝".
White 602.039.57 **\$12.99**

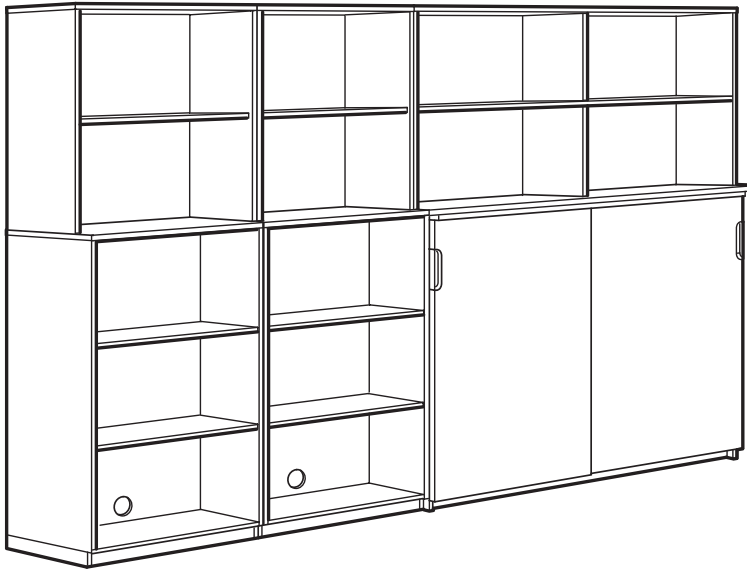


KOPPLA power strip with 5 outlets and 2 USB ports L12×W2". You can charge your smartphone, computer and other devices all at the same time since the power strip has 5 individual outlets and 2 USB ports.
White 102.808.25 **\$14.99**



SIGNUM shelf for KOPPLA power strip with USB ports Reach cords quickly and easily as the shelf can be mounted on your desk.
Aluminum 402.879.05 **\$10**

STORAGE



Professional and personal

The GALANT storage series has been specially developed to suit all types of professional offices – both when it comes to smart functions and high quality. The series also makes it easy to create a personal solution, according to your needs. You can choose between different height and widths, storage with only drawers or combined with file storage and drawer units. You can also use many of the pieces in the series as room dividers – a good way to create a calm corner to work in.

All storage at the office

Everything from binders and paper to printers and computers – not to mention cords and cables. GALANT series solves all of the most important and usual storage needs at the office. All units have built-in cable management and ventilation to ensure there's no risk of your electronic equipment overheating. And many of the pieces are finished on the back – so you can place them in the middle of the room if it suits you and makes your work more efficient.

Tested for a long, hard life at work

All GALANT storage units have been tested for office use and meets the requirements for safety, durability and stability set forth in the following standards: EN 14073 and ANSI/BIFMA x5.9.

That means that it has undergone a number of tough tests. For example, we've made sure that the surfaces can withstand heavy wear and tear, and that all drawers and sliding doors will run smoothly for a long time. Also, many of the pieces in the series are constructed to be able to be used as room dividers. All so that you can trust that GALANT will be able to handle hard work.

Design

Karl Malmvall, Eva Lilja Löwenhielm

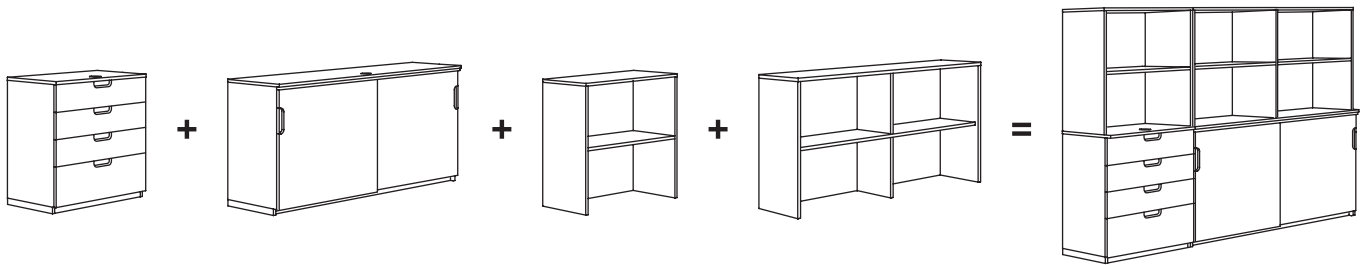
Care instructions

Wipe clean with a mild soapy solution.



Read more in the Limited Warranty brochure.

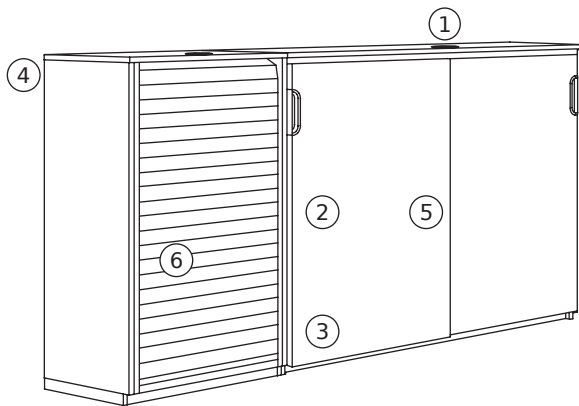
HOW TO COMBINE



With GALANT you can create the storage solution you need – with the appearance you like. Choose, for example, a cabinet with sliding doors, a drawer unit with spacious

drawers and complement with practical add-on units. A simple way to get effective storage.

GOOD TO KNOW



1. Combination lock; easy to choose your own code for safe storage of papers and office accessories.

2. Space behind the shelves makes it easy to collect and lead cords and cables to the cord outlet on the back.

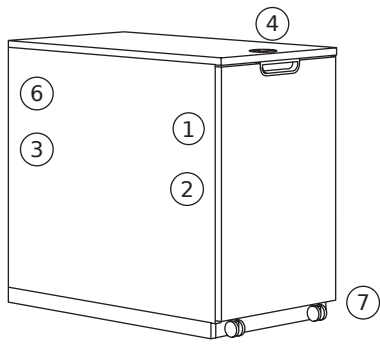
3. Adjustable feet make storage units stand evenly on uneven floors.

4. Finished on the back. Suitable for use in the middle of a room.

5. Sliding doors save space when open. Doors with integrated dampers for silent and gentle closing.

6. Roll-front; saves space when open.

GOOD TO KNOW



1. Suitable for electronic equipment such as a printer, scanner, docking station, etc.

2. The storage unit can be assembled to suit left or right hand use.

3. Cable management and cable outlets with easy access.

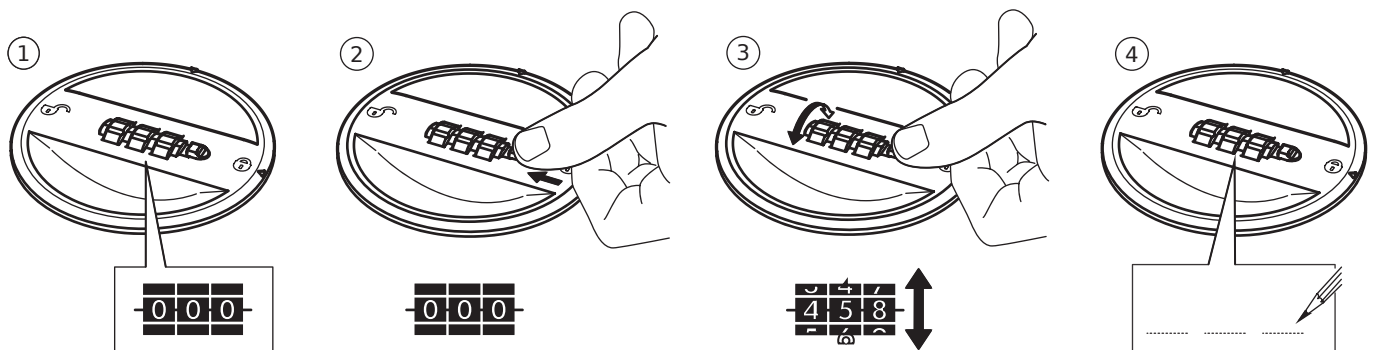
4. Combination lock, easy to choose your own code for safe storage. Record the combination for future reference as the lock cannot be reset.

5. Same height as BEKANT desks. Extend your desk and get an extra work surface.

6. Opening in the back panel improves air circulation around your printer or other electronic equipment.

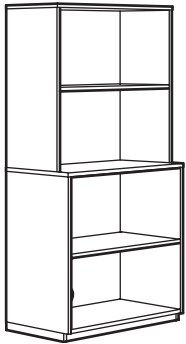
7. Adjustable feet make storage units stand evenly on uneven floors.

GOOD TO KNOW



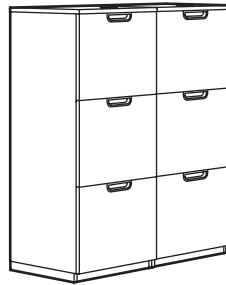
The lock can be set with a personal three-digit code for security. It's simple to set-up (see above) and complete instructions are included with the product.

COMBINATIONS



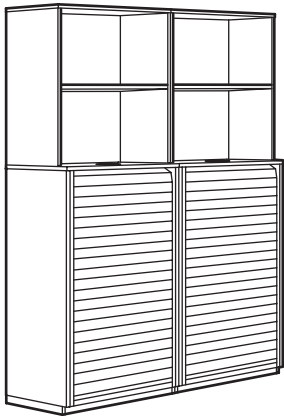
A simple unit can be enough storage for a limited space or the foundation for a larger storage solution if your needs change. Use an add-on unit to build vertically; makes optimal use of wall space and saves space on the floor. Overall size: 31½×17¾×63".

This combination in gray \$179 (198.979.89)



Maximum storage. 2 file cabinets, each with 3 drawers for drop files make it easy to sort and store important papers. Overall size: 40¾×17¾×47¼".

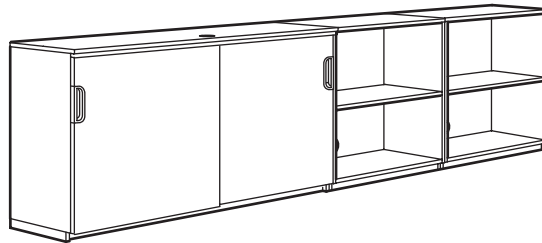
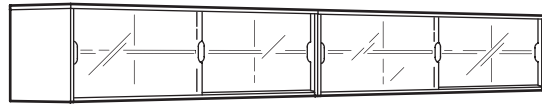
This combination in black-brown \$538



Combine open and closed storage to hide or display your things according to your needs. A roll-front saves space when open.

Overall size: 63×17¾×78¾".

This combination in birch veneer \$1158 (498.980.63)



A complete storage solution with both open and closed storage – and a wall cabinet where you can display the things you are proud of.

Overall storage size: 126×17¾×31½".

Overall wall size: 126×15×15¾".

This combination in white \$927

ALL PARTS AND PRICES

STORAGE UNITS



GALANT shelf unit 31½×17¼×31½" Max load per shelf 66 lbs. May be completed with GALANT add on-unit 31½×31½".

White	702.064.65	\$89.99
Birch veneer	202.064.63	\$99
Black-brown	402.064.62	\$99
Gray	002.064.59	\$99



GALANT shelf unit 31½×17¼×47¼" Max load per shelf 66 lbs. May be completed with GALANT add on-unit 31½×31½".

White	202.064.58	\$129
Birch veneer	002.064.64	\$149
Black-brown	802.064.60	\$149
Gray	602.064.61	\$149



GALANT add-on unit 31½×15¾×31½". Max load per shelf 66 lbs. Can only be used together with drawer unit 31½×31½", shelf unit 31½×31½", shelf unit 31½×47¼" and the roll-front cabinets from the GALANT series.

White	402.064.76	\$70
Birch veneer	602.064.75	\$80
Black-brown	902.064.74	\$80
Gray	202.064.77	\$80



GALANT add-on unit 63×15¾×31½" Max load per shelf 66 lbs. Can only be used together with the cabinets with sliding doors from the GALANT series.

White	402.115.95	\$150
Birch veneer	202.115.96	\$160
Black-brown	102.115.92	\$160
Gray	902.115.93	\$160



GALANT drawer unit 31½×17¼×31½" May be completed with GALANT add on-unit 31½×31½"

White	302.064.48	\$399
Birch veneer	502.064.47	\$449
Black-brown	902.064.50	\$449
Gray	102.064.49	\$449



GALANT drawer unit with drop file 31½×17¼×31½" May be completed with GALANT add on-unit 31½×31½".

White	802.552.62	\$299
Birch veneer	402.552.59	\$349
Black-brown	202.552.60	\$349
Gray	002.552.61	\$349



GALANT roll-front cabinet 31½×17¼×31½". Max load per shelf 66 lbs. May be completed with GALANT add on-unit 31½×31½".

White	502.065.03	\$349
Birch veneer	902.065.01	\$399
Black-brown	002.064.97	\$399
Gray	802.064.98	\$399



GALANT roll-front cabinet 31½×17¼×47¼". Max load per shelf 66 lbs. May be completed with GALANT add on-unit 31½×31½".

White	402.064.95	\$459
Birch veneer	702.065.02	\$499
Black-brown	602.064.99	\$499
Gray	202.064.96	\$499



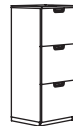
GALANT cabinet with sliding doors 63×17¼×31½" Max load per shelf 66 lbs. May be completed with GALANT add on-unit 63×31½".

White	202.065.14	\$449
Birch veneer	102.065.19	\$499
Black-brown	702.065.16	\$499
Gray	902.065.15	\$499



GALANT cabinet with sliding doors 63×17¼×47¼" Max load per shelf 66 lbs. May be completed with GALANT add on-unit 63×31½".

White	702.065.21	\$549
Birch veneer	902.065.20	\$599
Black-brown	302.065.18	\$599
Gray	502.065.17	\$599



GALANT file cabinet 20⅞×17¼×47¼"

Three file drawers make it easy to sort and store important papers.

White	202.064.01	\$249
Birch veneer	802.064.03	\$269
Black-brown	602.064.04	\$269
Gray	402.064.00	\$269



GALANT drawer unit on casters 17¼×23⅞×21⅞" Drawers with integrated damper for silent and gentle closing.

White	502.064.28	\$169
Birch veneer	702.064.27	\$199
Black-brown	102.064.30	\$199
Gray	302.064.29	\$199



GALANT drawer unit with drop-file

17¼×23⅞×21⅞". Drawers with integrated damper for silent and gentle closing. The lower drawer fits papers in letter and legal sizes.

White	602.064.37	\$149
Birch veneer	802.064.36	\$169
Black-brown	202.064.39	\$169
Gray	402.064.38	\$169

ALL PARTS AND PRICES



GALANT storage unit for printer 17¾×31½×28⅝".

Suitable for electronic equipment such as a printer, scanner, docking station, etc. The storage unit can be assembled to suit left or right hand use. Drawer with integrated damper for silent and gentle closing.

Birch veneer	802.064.22	\$219
Black-brown	602.064.23	\$219
Gray	002.064.21	\$219



GALANT wall cabinet with sliding doors

63×15×15¼". Max load/glass shelf 33 lbs. Max load/shelf 66 lbs.

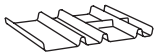
Birch veneer	802.065.30	\$169
Black-brown	202.065.33	\$169
Gray	402.065.32	\$169

STORAGE ACCESSORIES



SUMMERA hanging file, 16-pack. Suitable for Letter size papers.

Assorted	802.522.68	\$9.99
----------	------------	---------------



SUMMERA drawer insert with 6 compartments, 17⅝×14⅝". Drawer inserts help organize small things in a large drawer.

Anthracite	202.224.58	\$7.50
------------	------------	---------------



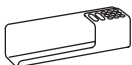
KVISSLE box with lid, set of 4. Sizes: 3 pieces 4×4" and 1 piece 13×5". Holds your pens, note pads, business cards, etc.

Cork/white	401.980.23	\$14.99
------------	------------	----------------



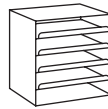
KVISSLE cable management box Charge your devices and hide the chargers and cords under the lid. Raised base with vents to let heat escape. Hole for cords in the lid and on the short sides.

Cork/white	301.980.28	\$9.99
------------	------------	---------------



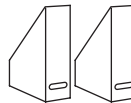
KVISSLE desk organizer Holds your pens, rulers, mobile phone, etc. Cork liner in the bottom keeps everything in place.

White	101.980.29	\$5.99
-------	------------	---------------



KVISSLE letter tray Cork liner in the bottom keeps papers in place. Pull-out compartments make it easy for you to access your papers. You can also turn the letter tray on its side if you want to store and organize your papers vertically.

White	701.980.31	\$19.99
-------	------------	----------------



KVISSLE magazine file, set of 2. Sizes: 3¾×9⅝×12⅝" and 4×10×12⅝".

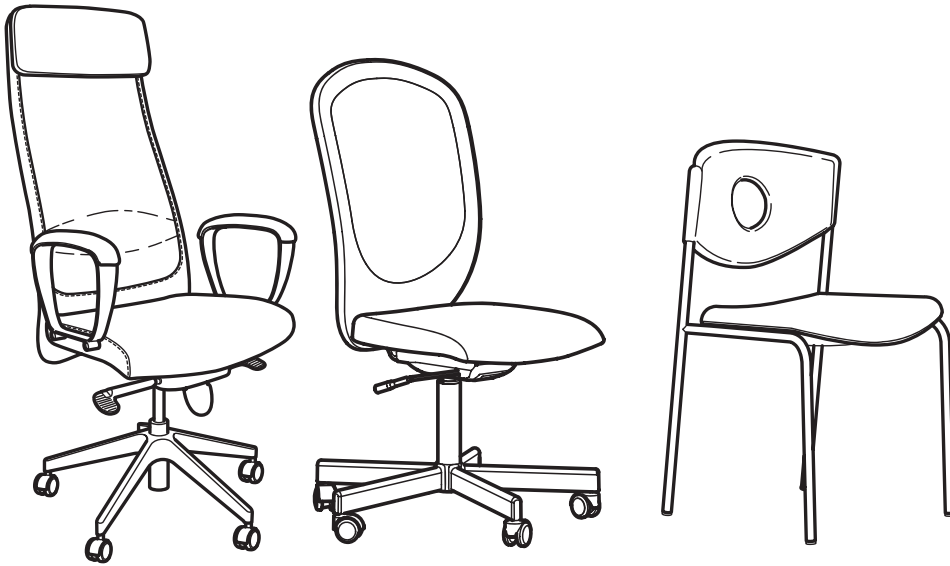
White	602.039.57	\$12.99
-------	------------	----------------



KVISSLE wall magazine rack You can hang KVISSLE wall magazine rack on the wall, on the side of GALANT storage units (cabinet with sliding doors, roll-front and file cabinets, shelf, add-on and drawer units) or use it horizontally in the top drawer of GALANT drawer unit on casters (17¾×23⅝×21⅝").

White	901.980.30	\$14.99
-------	------------	----------------

WORK CHAIRS



Work chairs that make a perfect match

We have comfortable work chairs for all your needs – swivel chairs for your desk, visitor’s chairs and conference chairs. And in many different styles, colors and materials, so it’s easy to find the perfect match for both you and your office.

Our swivel chairs have features from simple to advanced. How to choose? Start by thinking about what type of activities you will do and how much time you will spend sitting in the chair. For full-time work, you might need one with more adjustable features to help you vary sitting positions. Do you have special needs, e.g. want relief for your back, support for your arms and shoulders? What style do you like? Let your answers to these questions guide you to the perfect work chair for you.

Can take a tough day at work

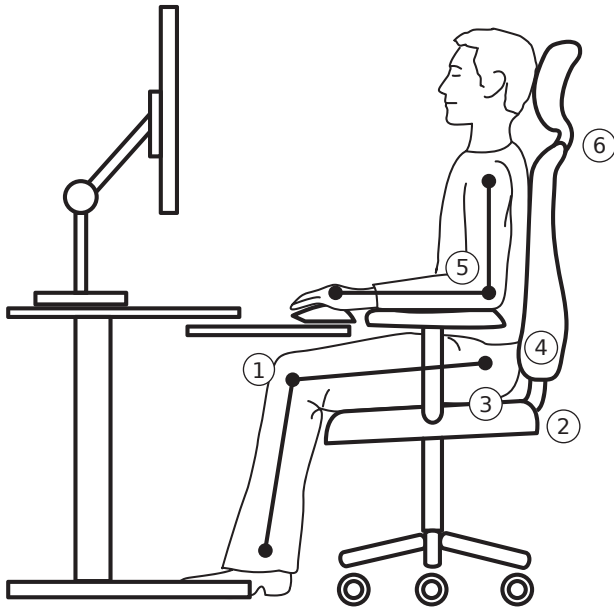
Our professional chairs have been tested for office use and meets the requirements for safety, durability and stability set forth in the following standards: EN1335-2 and ANSI/BIFMA x5.1 for desk chairs and EN1022, EN15373 and ANSI/BIFMA x5.1 for conference chairs.

This means we have put the chairs through many different tests and tough challenges. For example, we sized the chair according to both European and American measurement requirements, subjected it to heavy loads and tested the endurance of each part – up to 300,000 times. We did all this to make sure it would be comfortable to sit in, safe to use and capable of enduring full-time desk work – for many years.



Read more in the Warranty brochures for MARKUS and VOLMAR swivel chairs.

GOOD TO KNOW



1. If you sit at the right height, both your back and legs get the support they need. Your legs should be at a right angle when your feet are flat on the floor. Do you share the chair with other people? With a height adjustable seat, people of all heights can sit comfortably.

2. It doesn't matter if you're short or tall. With an adjustable seat depth or a height adjustable backrest you can try out different depths and heights and get exactly the support your legs and back need.

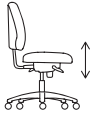
3. A chair with tilt function makes it easy to change sitting position, regardless of whether the tilt function is in the seat or the backrest – or in both places. Locked position or comfortable resistance? Adjust the tilt tension to suit your movements and your weight. The right setting increases both stability and the support you get when you tilt – forward or backwards.

4. The small of the back is where we usually feel the first onset of tiredness. A chair with built-in lumbar support gives you support and relieves pressure on your back.

5. Armrests reduce the strain on both your arms and shoulders. If the armrests are adjustable, it's even easier to reduce the strain – regardless of how tall or short you are. Have the armrests at approximately the same height as the desk top for maximum support. However, the armrests should not prevent the chair from being drawn close to the desk, nor restrict natural movements.

6. If you've been sitting at your desk for some time, it may feel nice to lean back and change your position for a moment. With a headrest on your chair, your head and neck also get a little well-deserved relaxation.

GOOD TO KNOW



Height adjustable seat for a comfortable sitting posture regardless of body height.



Adjustable seat depth; easy to adapt for increased support to your thighs and back.



Height adjustable backrest; gives lumbar support and relieves strain on your back.



Lockable tilt function for increased stability in different sitting positions.



Adjustable tilt tension; increase or decrease the resistance to suit your movements and weight.



Synchronized tilt function in seat and backrest; the chair follows your movements when you lean forward or back.



Height and depth adjustable armrests; adjust to relieve strain on your arms and shoulders even more.

ALL PARTS AND PRICES

SWIVEL CHAIRS



FREE
10
Year
Warranty

VOLMAR Swivel chair Seat W16½×D17¾". Max load 242 lbs. Height adjustable 15¾-22½". Seat and backrest are adjustable in height and give you maximum support regardless of your body height. Rubber-coated casters run smoothly on any type of floor.

Lehult dark gray	401.737.77	\$189
Mjuk black leather	802.929.24	\$219



VOLMAR pair of armrests Relieves strain on arms and shoulders. Fits VOLMAR swivel chairs.

Black	101.738.11	\$20
-------	------------	-------------



VOLMAR headrest Provides extra support for your head and neck. Fits VOLMAR swivel chairs. Once the headrest has been attached to the swivel chair, it cannot be removed.

Mjuk black leather	602.929.20	\$30
Sonnebo black fabric	101.790.97	\$20



FREE
10
Year
Warranty

MARKUS swivel chair Seat W20¾×D18½". Max load 242 lbs. Height adjustable 17¾-22½". The mesh material of the backrest lets air through to your back during long sitting periods. Rubber-coated casters run smoothly on any type of floor. Casters lock automatically when chair is not in use.

Glose black	001.031.02	\$199
Vissle dark gray	902.891.72	\$179
Vissle gray	702.611.45	\$179



FLINTAN swivel chair Seat W18½×D18¾". Max load 242 lbs. Height adjustable 18½-23¾". Self adjusting tilt tension. May be completed with NOMINELL armrests. Rubber-coated casters run smoothly on any type of floor.

Havhult black	502.838.84	\$69.99
Havhult turquoise	802.838.92	\$69.99
Havhult gray	602.904.69	\$69.99



NOMINELL pair of armrests Relieves strain on arms and shoulders. Fits FLINTAN swivel chair.

Black	902.002.69	\$20
-------	------------	-------------



PATRIK swivel chair Seat W17¾×D15¾". Max load 242 lbs. Height adjustable 16½-20½". Rubber-coated casters run smoothly on any type of floor. Casters lock automatically when chair is not in use.

Ullevi dark gray	800.681.66	\$199
Ullevi blue	602.870.75	\$199



CONFERENCE CHAIRS



FJÄLLBERGET conference chair Seat W16½×D15¾". Max load 242 lbs. Height adjustable 16¾-22". The curved bentwood back and armrests are both comfortable and stylish.

Birch veneer/Ullevi gray	202.507.19	\$199
--------------------------	------------	--------------



PATRIK conference chair Seat W15¾×D15¾". Max load 242 lbs.

Ullevi dark gray	000.646.24	\$149
Ullevi blue	802.870.79	\$149



STOLJAN conference chair – fabric seat. Seat W17¾×D17¾". Max load 242 lbs. The chairs are stackable and save space when not in use. A maximum of 7 chairs can be stacked together.

Black/black	399.074.40	\$34.99
Blue/black	999.074.42	\$34.99
White/black	699.074.53	\$34.99



STOLJAN conference chair – artificial leather seat. Seat W17¾×D17¾". Max load 242 lbs. The chairs are stackable and save space when not in use. A maximum of 7 chairs can be stacked together.

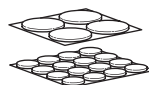
Black/black	599.074.44	\$34.99
Blue/black	199.074.41	\$34.99
White/black	299.074.45	\$34.99

CHAIR ACCESSORIES



KOLON floor protector 39¾×47¼". Suitable for most types of floors and flat-woven rugs.

448.811.00	\$19.99
------------	----------------



FIXA stick-on floor protectors, set of 20. Protects the underlying surface against wear and scratching. Ø¾ and 1¾".

241.556.00	\$1.99
------------	---------------

Our services, for you.

Sometimes a little help is all you need to turn a dream into reality. Which is why we offer a wide range of services to help you along the way. Maybe you just need a little help, or perhaps someone to do the whole job for you. Either way we're here to help, and are happy to put together a service package that's just right for you. Of course, the more you do yourself, the lower the price will be. And the more you ask us to do for you, the more you can sit back and relax!



PICKING WITH DELIVERY

We will collect the products on your shopping list from throughout the store and arrange delivery (by an independent company) everything to your home or business.



DELIVERY SERVICE

We can arrange delivery (by an independent company) of your purchases, directly to your home or business. Same day, next day deliveries are available.



ASSEMBLY

We can arrange for an independent company to put things together for your home or business. Assembly service is available only when delivery is purchased.



OFFICE PLANNING

It's free! We'll help you plan your office for your home or business, or you can use our free online 3D IKEA Home Planner. Plus, we can arrange delivery and assembly at reasonable rates.

For more information contact your local store or visit IKEA-USA.com