

BUYING GUIDE

STOLMEN

Storage system

DESIGN

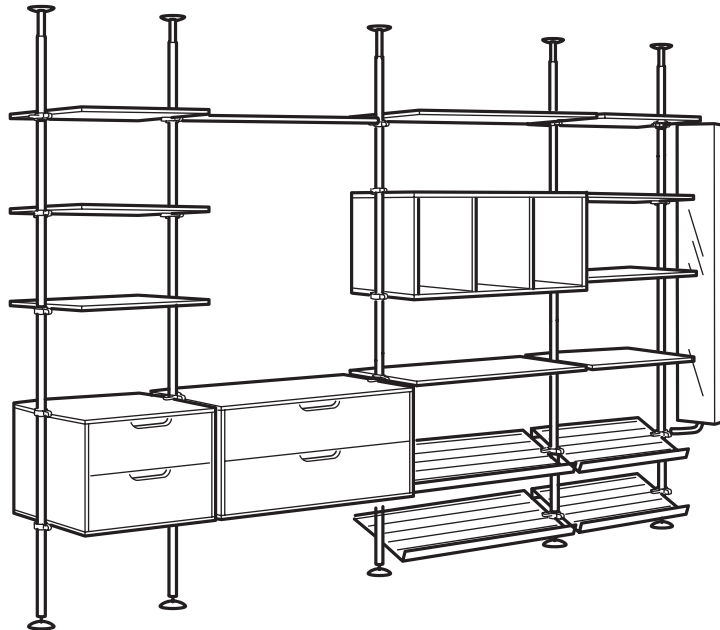
Ehlén Johansson

SAFETY

Secure the post to the ceiling, or, if the ceiling is more than 129 $\frac{7}{8}$ " high, or made of a porous material, anchor the post to the wall with the included wall brackets. Different wall materials require different types of fasteners. Use hardware (sold separately) suitable for the walls in your home.

CARE INSTRUCTIONS

Wipe with a damp cloth. Then dry with a clean cloth. Use glass cleaner to keep mirrors sparkling clean.



STOLMEN is flexible in many ways. Screw-fittings on the posts extend to fit ceiling heights from 7 to 10 $\frac{1}{2}$ feet. If your ceiling is higher, you can secure the posts to the wall with the included wall brackets. There are two widths and two depths from which to choose, so you can put STOLMEN where you need it, rather than where you can find room for it.

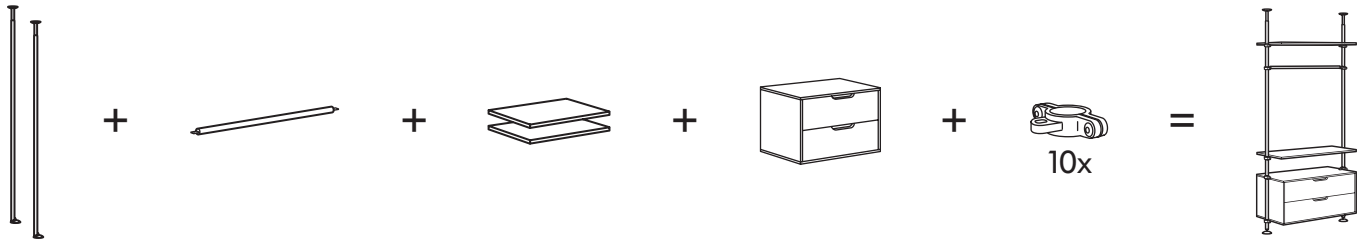
You can adapt or extend STOLMEN storage as you need, whenever you wish, from straight combinations to L- or U-shaped units. You're free to follow our suggested storage solutions or design your very own, fully customized combinations. Whatever you decide, all the components are sold separately.

STOLMEN works just as well in the hall as it does as a wardrobe solution. Thanks to the open-shelf concept, you can see everything at a glance. There is even a mirror to help you make sure that you look your best. Practical hooks, shelves, clothes rails, drawers, and shoe shelves create unlimited storage possibilities. The final decision about the design of your storage combination rests with you.

A high standard of accuracy has been sought in the preparation of this brochure. We apologize for, but will not be bound by or responsible for, errors and omissions in this buying guide. All products shown here may not be available at the store. Some prices may vary by store. Please contact the staff or visit IKEA-USA.com for more information. For more detailed product information, see the price tag and the internet. All units require assembly.



HOW TO BUILD



Plan your clothes storage in four simple steps. It makes it easier to make the right decision.

1. Count your clothes

Go through the clothes you have and work out how much you need to store in each category: shoes, dresses, pants, sweaters, etc.

2. Choose the components

Choose a combination of posts, suspension fixtures, clothes rails, shelves, drawer units, etc. to solve your specific storage needs. Most components come in two widths (21 $\frac{5}{8}$ " and 43 $\frac{1}{4}$ "") and two depths (15 and 19 $\frac{5}{8}$ ""), and the posts extend for use with ceiling heights from 82 $\frac{5}{8}$ " to 129 $\frac{7}{8}$ ". For ceilings higher than 129 $\frac{7}{8}$ ", or those made of porous material, use the included wall brackets.

One useful hint is to use suspension fixtures instead of end fixtures where possible, so that they can also be used to support an adjacent component, mirror, hooks, etc.

3. Calculate the width

When calculating the width of your clothes storage solution, don't forget to take into account the distance between the posts. For 21 $\frac{5}{8}$ " wide components, the distance between the center of the posts is 24 $\frac{3}{8}$ ". For 43 $\frac{1}{4}$ " wide components, it is 46". Add 2 $\frac{3}{4}$ " for the suspension fixtures. (This applies if you choose suspension fixtures with two holders, not end fixtures.)

4. And for that finishing touch...

...complete your chosen solution with storage boxes from the Home Organization department. They give you even more options for a smarter way to store all of your things! The sales staff can also give you full details about home delivery, order picking with delivery, and assembly services that are available.

ALL PARTS AND PRICES

Width×Height×Depth"



Post, white.		
82 $\frac{5}{8}$ "-129 $\frac{7}{8}$ "	201.799.40	\$30



Suspension fixture with 2 holders, white		
4-pack	301.799.54	\$10



End fixture, white.		
4-pack	501.799.34	\$10



Shelf, white.		
21 $\frac{5}{8}$ ×15"	401.799.20	\$15
43 $\frac{1}{4}$ ×15"	601.799.43	\$20
21 $\frac{5}{8}$ ×19 $\frac{5}{8}$ "	701.799.47	\$15
43 $\frac{1}{4}$ ×19 $\frac{5}{8}$ "	101.799.45	\$20



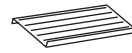
2-drawer chest, white.		
21 $\frac{5}{8}$ ×19 $\frac{5}{8}$ ×17 $\frac{3}{4}$ "	601.799.19	\$80
43 $\frac{1}{4}$ ×19 $\frac{5}{8}$ ×17 $\frac{3}{4}$ "	901.799.27	\$100



Clothes rail, white.		
21 $\frac{5}{8}$ "	901.799.32	\$5
43 $\frac{1}{4}$ "	301.799.30	\$10



Mirror with storage unit, white.		
11 $\frac{3}{4}$ ×9 $\frac{1}{2}$ ×68 $\frac{3}{4}$ "	401.799.39	\$75



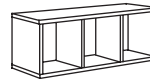
Shoe rack, white.		
21 $\frac{5}{8}$ "	101.799.50	\$10
43 $\frac{1}{4}$ "	501.799.48	\$15



Hook, white.		
3 $\frac{1}{8}$ "	001.799.36	\$1

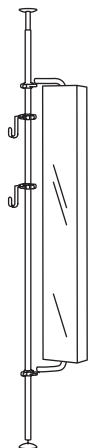


2-door cabinet, white.		
43 $\frac{1}{4}$ ×15×17 $\frac{3}{4}$ "	101.799.12	\$80



Open storage, white.		
43 $\frac{1}{4}$ ×15×17 $\frac{3}{4}$ "	401.799.15	\$60

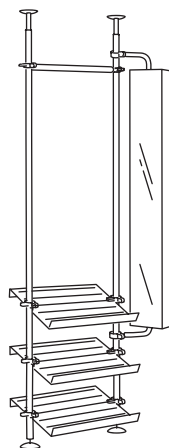
COMBINATIONS



A post with hooks and a mirror with hidden storage provide an effective, space-saving solution in the hall.

Overall size: $19\frac{5}{8} \times 19\frac{5}{8} \times 82\frac{5}{8} - 129\frac{7}{8}$ "

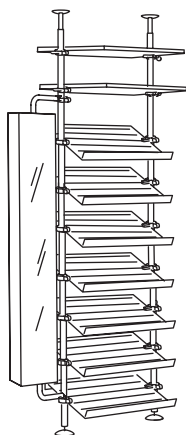
This combination \$117 (198.756.28)



This solution will fit perfectly in the hall since there is space for hanging clothes, storing shoes, and a mirror with storage on the back.

Overall size: $41\frac{3}{8} \times 19\frac{5}{8} \times 82\frac{5}{8} - 129\frac{7}{8}$ "

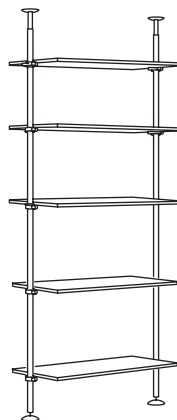
This combination \$200 (198.851.80)



Shoe racks are perfect for storing, organizing, and displaying your shoes so you save time looking for the right pair. A mirror adds extra functionality.

Overall size: $41\frac{3}{8} \times 19\frac{5}{8} \times 82\frac{5}{8} - 129\frac{7}{8}$ "

This combination \$285 (090.019.72)

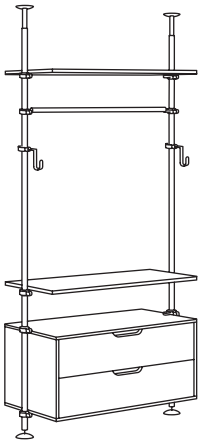


A simple shelf solution for folded clothes.

Overall size: $50 \times 15 \times 82\frac{5}{8} - 129\frac{7}{8}$ "

This combination \$190 (398.875.50)

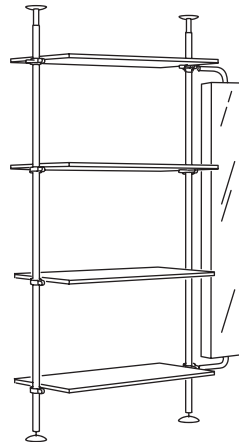
COMBINATIONS



Start with just two posts. That's the basic principle. Each storage section is built around two posts and as many or as few components as you need. The solution above is ideal when you first set up house. You can extend it as your needs (and your family) grow.

Overall size: 50×19⁵/₈×82⁵/₈-129⁷/₈"

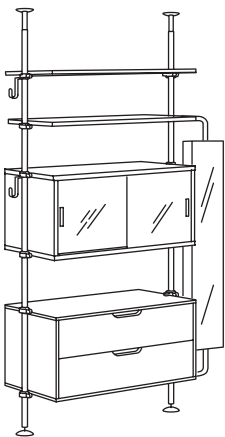
This combination \$242 (998.756.29)



The shelves can be adjusted in height to perfectly suit your storage needs.

Overall size: 63×15×82⁵/₈-129⁷/₈"

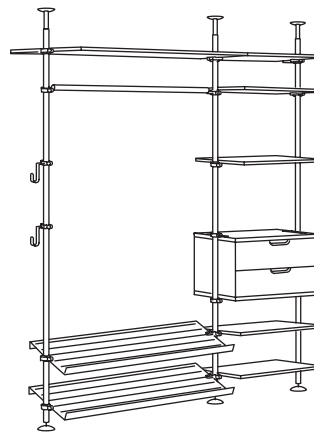
This combination \$245 (298.849.91)



A mirror adds an extra function that makes STOLMEN more than just a storage solution.

Overall size: 63×19⁵/₈×82⁵/₈-129⁷/₈"

This combination \$387 (798.756.30)

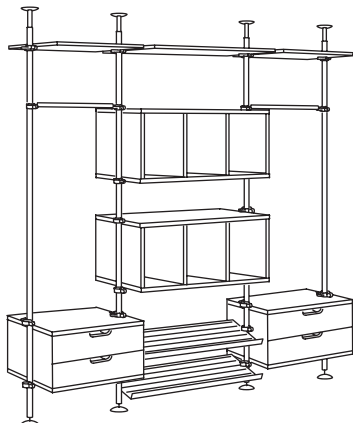


This solution is equally practical in the hall and the bedroom.

Overall size: 74³/₄×19⁵/₈×82⁵/₈-129⁷/₈"

This combination \$357 (398.756.51)

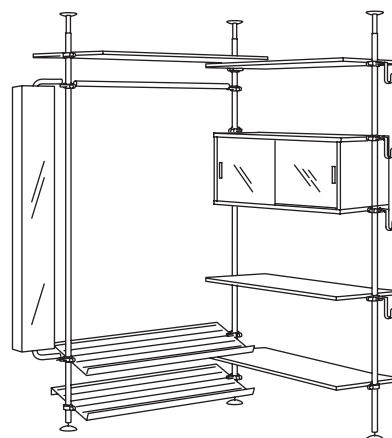
COMBINATIONS



More people need more storage! Once there are two of you, the need for storage space increases. All you need to do is add one or more posts, clothes rails, shelves, drawers, and other components. The chests of drawers are perfect for socks or underwear.

Overall size: 97¼×19⅝×82⅝-129⅝"

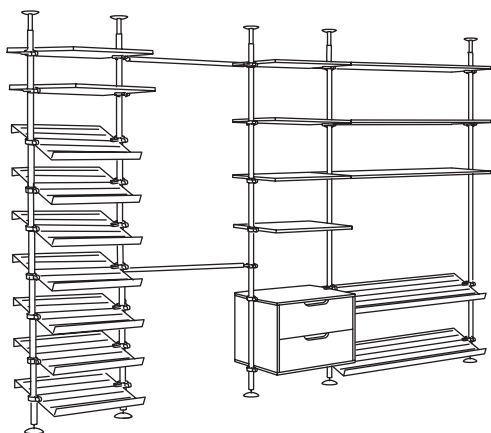
This combination \$560 (998.756.72)



A corner solution need not be a makeshift solution... but a smart way to use the walls where floor space is limited. When one wall is no longer enough, extend in an L-shape along the next, or maybe on two sides for a U-shaped solution.

Overall size: 59/70⅞×19⅝×82⅝-129⅝"

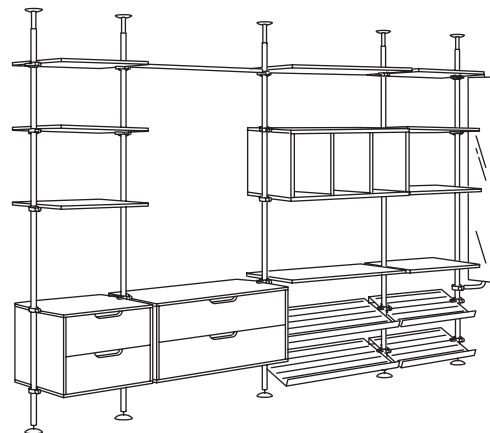
This combination \$419 (798.756.73)



Ten shoe racks in different widths give room for many shoes and makes finding the right pair easy.

Overall size: 145⅝×19⅝×82⅝-129⅝"

This combination \$590 (598.756.88)



Open for all clothes storage needs.

STOLMEN open storage solution, complete with clothes rails, pants hangers, and shelves for sweaters, etc. It's just as useful in the hall as in the bedroom, and it's simple to extend or redesign to meet your ever-changing needs.

Overall size: 159½×19⅝×82⅝-129⅝"

This combination \$750 (798.756.87)