



TECHNICAL EDUCATION

**WIRING DIAGRAMS
for
IKEA APPLIANCES**

JOB AID 8178743

FORWARD

This IKEA Job Aid, "Wiring Diagrams For IKEA Appliances," (Part No. 8178743), provides the technician with information on Diagnosing and Troubleshooting IKEA Appliances. It is to be used as a training Job Aid. For specific information on the model being serviced, refer to the "Use and Care Guide," or "Tech Sheet" provided with the unit.

The Wiring Diagrams used in this Job Aid are typical and should be used for training purposes only. Always use the Wiring Diagram supplied with the product when servicing the unit.

GOALS AND OBJECTIVES

The goal of this Job Aid is to provide detailed information that will enable the In-Home Service Professionals to properly diagnose malfunctions and repair IKEA Appliances.

The objectives of this Job Aid are to:

- Successfully troubleshoot and diagnose malfunctions.
- Offer wiring diagram information.

WHIRLPOOL CORPORATION assumes no responsibility for any repairs made on our products by anyone other than In-Home Service Professionals.

TABLE OF CONTENTS

	Page
GENERAL	1-1
Appliance Safety	1-1
Built-In Oven Wiring Diagrams	2-1
Gas Cooktop Wiring Diagrams	3-1
Electric Ceran Cooktop Diagrams	4-1
Electric Range Wiring Diagrams	5-1
Gas Range Wiring Diagrams	6-1
Electric Slide-In Range Wiring Diagrams	7-1
Duel Fuel Range Wiring Diagrams	8-1
Traditional / Designer Hood Wiring Diagrams	9-1
Microwave Hood Wiring Diagrams	10-1
Refrigerator Wiring Diagrams	11-1
Dishwasher Wiring Diagrams	12-1

PRODUCT TYPE	IKEA PART #	WP MODEL #	PRODUCT DESCRIPTION	WP BASE-MODEL #	WIRING DIAGRAM	PAGE #	
BUILT-IN OVENS	601-104-92	IBS124PSS	Single Oven, 24", 3.1cuft, True Convection, Continuous Clean, SS		461961907271	2-1	
	801-104-91	IBS224PSM	Single Oven, 24", 3.1cuft, Convection, Continuous Clean, AN		461961907281	2-2	
	701-104-96	IBS324PSW	Single Oven, 24", 3.1cuft, True Convection, Continuous Clean, WH		461961907271	2-1	
	000-919-91	IBS330PRS	Single Oven, 30", 4.3cuft, Thermal, Self Clean, SS	RBS305PDS	8303103	2-3	
	901-423-21	IBS330PVM	Single Oven, 30", 4.3cuft, Thermal, Self Clean, AN	RBS305PDQ	8303103	2-3	
	800-919-92	IBS550PRQ	Single Oven, 30", 4.0cuft, Convection, Self Clean, WH	GBS307PDQ	8303103	2-3	
	600-919-93	IBS550PRS	Single Oven, 30", 4.0cuft, Convection, Self Clean, SS	GBS307PDS	8303103	2-3	
	400-919-94	IBD550PRS	Double Oven, 30", 4.0/4.3cuft, Upper convection/Lower Static, Self Clean	GBD307PDS	8303104	2-4	
	COOKTOPS/HOBS GAS	201-105-02	ICS304SM	Gas Cooktop 24" 4 Sealed Burners, Enamel Grates, AN		461961907291	3-1
001-105-03		ICS404SB	Gas Cooktop, 24", 4 Sealed Burners, Gas on Glass, Cast-Iron Grates, BK		461961907291	3-1	
900-920-00		ICS300RQ	Gas Cooktop 30" 4 Sealed Burners, Enamel Cast Iron Grates, WH	SCS3014LQ	3192098	3-2	
700-920-01		ICS300RS	Gas Cooktop 30" 4 Sealed Burners, Enamel Cast Iron Grates, SS	SCS3014LS	3192098	3-2	
301-423-24		ICS300VM	Gas Cooktop 30" 4 Sealed Burners, Enamel Cast Iron Grates, AN	SCS3014LQ	3192098	3-2	
500-920-02		ICS306RS	Gas Cooktop 36" 4 Sealed Burners, Enamel Cast Iron Grates, SS	SCS3614LS	3192098	3-2	
COOKTOPS/HOBS CERAN		100-919-95	ICR410RB	Ceramic Cooktop, 30", 4 elements, BK	GJC3034LB	8285414	4-1
		500-919-98	ICR416RB	Ceramic Cooktop, 36", 5 elements, Keep Warm, BK	GJC3634LB	9759392	4-2
	701-104-20	ICR410RP	Ceramic Cooktop, 30", 4 elements, WH	GJC3034LB	8285414	4-1	
	300-919-99	ICR416RP	Ceramic Cooktop, 36", 5 elements, Keep Warm, WH	GJC3634LP	9759392	4-2	
	FS ELECTRIC RANGES	901-300-97	IER320TW	Electric Coil, 4.65 cuft, Door Window, WH - US		4454084	5-1
101-300-96		YIER320TW	Electric Coil, 4.65 cuft, Door Window, WH - CA		4454084	5-1	
800-919-87		IES366RS	Electric Ceramic, 4.65 cuft. Self Clean, SS - US	TES356MS	W10158994	5-2	
000-919-86		YIES366RS	Electric Ceramic, 4.65 cuft. Self Clean, SS - CA	TES356MS	W10158994	5-2	
901-104-24		IES366SQ	Electric Ceramic, 4.65 cuft. Self Clean, WH - US	TES356MQ	9757347	5-3	
900-919-82		IER310RW	Electric Coil, 4.65 cuft, WH - US	FEP310KW	4454084	5-1	

PRODUCT TYPE	IKEA PART #	WP MODEL #	PRODUCT DESCRIPTION	WP BASE-MODEL #	WIRING DIAGRAM	PAGE #
	700-919-83	YIER310RW	Electric Coil, 4.65 cuft, WH - CA	FEP310KW	4454084	5-1
	601-104-25	YIES366SQ	Electric Ceramic, 4.65 cuft. Self Clean, WH - CA	TES356MQ	9757347	5-3
FS GAS RANGES	600-919-88	IGS365RS	Gas, 4,65 cuft, Self Clean, Sealed Burners w/Steel Grates SS	TGS326MS	9755996	6-1
	400-919-89	IGS385RS	Gas, 4,65 cuft, Self Clean, Sealed Burners w/Cast Iron Grates	GS445LEMS	9758087	6-2
FS ELECTRIC SLIDE-IN	401-423-33	ISE630VS	Electric Ceramic, 4.3 cuft. Self Clean, SS - US		W10190679	7-1
	601-423-32	YISE630VS	Electric Ceramic, 4.3 cuft. Self Clean, SS - CA		W10190681	7-2
FS GAS SLIDE-IN	201-423-34	ISG650VS	Gas, 4.5 cuft. Self Clean, SS - US		W10190680	7-3
DUAL FUEL RANGE	601-151-35	YIDC875SS	Dual Fuel Range, 36", 3.71cuft, 5 Gas Burners, Electric Oven,		781408	8-1
	901-151-34	IDC875SS	Dual Fuel Range, 36", 3.71cuft, 5 Gas Burners, Electric Oven,		781406	8-2
	801-423-31	IDC865VM	Dual Fuel Range, 36", 3.71cuft, 5 Gas Burners, Electric Oven,		781406	8-2
	001-423-30	YIDC865VM	Dual Fuel Range, 36", 3.71cuft, 5 Gas Burners, Electric Oven,		781408	8-1
TRADITIONAL HOODS	200-920-08	IH1300RQ	30" Under Cabinet Hood, Re-circulating, 2 speed, WH	Broan 420000		
	001-520-41	IH3302RQ	30" Under Cabinet Hood, Convertible, Variable speed, WH	Broan 460000		
	000-920-09	IH3302RS	30" Under Cabinet Hood, Convertible, Variable speed, SS	Broan 460000		
	200-920-13	IH3362RQ	36" Under Cabinet Hood, Convertible, Variable speed, WH	Broan 460000		
	000-920-14	IH3362RS	36" Under Cabinet Hood, Convertible, Variable speed, SS	Broan 460000		
	700-920-15	IH5302RS	30" Under Cabinet Telescopic Hood, 3 speed, Brushed Aluminium	GZ7730XGS	4360082	9-1
DESIGNER HOODS	801-105-04	IH6242SM	24" Wall Mounted Hood, Convertible, Slider Control, AN	NEW	9763375	9-2
	500-920-16	IH6302RS	30" Wall Mounted Hood, Convertible, Slider Control, SS	NEW	9763375	9-2
	501-105-05	IH4302SS	30" Wall Mounted Hood, Convertible, Slider Control, SS	NEW	W10018040	9-3
	100-920-18	IH6362RS	36" Wall Mounted Hood, Convertible, Slider Control, SS	NEW	9760266	9-4
	101-105-07	IH8362SS	36" Wall Mounted Hood, Convertible, Soft Push Control, SS/Glass	NEW	W10018010	9-5

PRODUCT TYPE	IKEA PART #	WP MODEL #	PRODUCT DESCRIPTION	WP BASE-MODEL #	WIRING DIAGRAM	PAGE #
	301-105-06	IH5303SS	36" Wall Mounted Hood, Convertible, Push Button Control, SS	NEW	W10018030	9-6
	500-920-21	IH8432RS	44" Island Glass Hood, Convertible, Soft Push Button Control, SS	NEW	9763378	9-7
	001-423-25	IHW6302VM	30" Wall Mounted Hood, Convertible, Slider Control, AN	NEW	W10190670	9-8
	401-423-28	IHW6362VM	36" Wall Mounted Hood, Convertible, Slider Control, AN	NEW	W10190670	9-8
	801-473-57	IHW7243VS	24" Wall Mounted Inclined Hood, Convertible, Touch Control, SS	NEW	W10190674	9-9
	301-423-57	IHW7303VS	30" Wall Mounted Inclined Hood, Convertible, Touch Control, SS	NEW	W10190674	9-9
	501-423-56	IHW8303VS	30" Wall Mounted Glass Inclined Hood, Convertible, Touch Control,	NEW	W10190673	9-10
	101-423-58	IHI8304VS	30" Island Slim Hood, Convertible, Touch Control, SS	NEW	W10190672	9-11
	901-423-59	IHW8305VS	30" Wall Mounted Slim Hood, Convertible, Touch Control, SS	NEW	W10190671	9-12
	900-920-19	IH7302RS	30" Wall Mounted Hood, Tonda, Convertible, Slider Control, SS	NEW	9763376	9-13
	700-920-20	IH8362RS	36" Wall Mounted Hood, T-Glass, Convertible, Soft Push Button Control	NEW	9763377	9-14
BUILT-IN MICROWAVE	201-423-29	IBMS1450VM	BI Microwave Oven, 30" Installation, 1.4 cuft, 800W,	NEW		
MICROWAVE HOOD	401-426-63	IMH16XSS	MHC, 1.6 cuft, 950W, 10 Cook Levels, Convertible, 2 speed fan, SS	MHE16XS	8206434	10-1
	201-426-64	IMH16XSQ	MHC, 1.6 cuft, 950W, 10 Cook Levels, Convertible, 2 speed fan, WH	MHE16XQ	8206434	10-1
	501-423-37	IMH16XVS	MHC, 1.6 cuft, 950W, 10 Cook Levels, Convertible, 2 speed fan, SS	MHE16XS		
	301-423-38	IMH16XVQ	MHC, 1.6 cuft, 950W, 10 Cook Levels, Convertible, 2 speed fan, WH	MHE16XQ		
	300-920-22	IMH15XRS	1.4 cuft. Basic estate MH SS	TMH14XMS	8205344	10-2
	100-920-23	IMH15XRQ	1.4 cuft. Basic estate MH WH	TMH14XMQ	8205344	10-2

PRODUCT TYPE	IKEA PART #	WP MODEL #	PRODUCT DESCRIPTION	WP BASE-MODEL #	WIRING DIAGRAM	PAGE #
TOP MOUNT REFRIGERATORS	900-920-24	IT8WSKXRW	Top Mount, 17.6 cuft (4.1/13.5), Wire Shelves, Flat Door, WH	RT18VKXKW	W10146196	11-1
	501-104-21	IR8GSMXRW	Top Mount, 17.6 cuft (4.1/13.5), Ice Maker, Contour Door, WH	TT18TKXSQ	2265208	11-1
	200-920-27	IR8GSMXRS	Top Mount, 17.6 cuft (4.1/13.5), Ice Maker, Contour Door, SS	TT18TKRMS	2265208	11-1
	200-920-32	IR2MHMXRS	Top Mount, 21.7 cuft (6.4/15.3), Ice Maker, Contour Door, SS	GR2SHKXMS	2314273	11-2
SIDE BY SIDE REFRIGERATORS	301-140-38	ID2HHEXTS	Side by Side, 21,9 cu ft (7.4/14.5), Ice & Water, E-Star, SS	ED2GHEXS	2311814	11-3
	101-140-39	ID5HHEXTS	Side by Side, 25,4 cu ft (10.0/15.4), Ice & Water, E-Star, SS	ED5GHEXS	2311815	11-4
	901-140-40	ID5HHEXTQ	Side by Side, 25,4 cu ft (10.0/15.4), Ice & Water, E-Star, WH	ED5GHEXN	2311815	11-4
	700-920-39	ID2GFGXRS	Side by Side 21,7 cuft SS	TS22AFXKS	2255137	11-5
	100-920-42	ID5GFGXRQ	Side by Side 25.2 cuft WH	TS25AFXKW	2255373	11-6
	000-920-47	ID5GFGXRS	Side by Side 25.2 cuft SS	TS25AFXKW	2255373	11-6
DISHWASHERS	100-919-76	IUD4000RQ	Standard Tub, 4 prog, 1 option, 10 place settings, E-Star, WH	RUD4000MQ	3385496	12-1
	101-104-23	IUD6000RQ	Standard Tub, 5 prog, 3 option, 10 place settings, E-Star, WH	DU890SWLQ	3385501	12-2
	500-919-79	IUD6000RS	Standard Tub, 5 prog, 3 option, 10 place settings, E-Star, SS	DU890SWLS	3385501	12-2
	300-919-80	IUD8000RQ	Tall Tub, 5 prog, 5 option, 14 place settings, E-Star, WH	DU1101XTPQ	W10130990	12-3
	100-919-81	IUD8000RS	Tall Tub, 5 prog, 5 option, 14 place settings, E-Star, SS	DU1101XTPS	W10130990	12-3

— NOTES —

GENERAL APPLIANCE SAFETY

Your safety and the safety of others are very important.

We have provided many important safety messages in this manual and on the appliance. Always read and obey all safety messages.



This is the safety alert symbol.

This symbol alerts you to potential hazards that can kill or hurt you and others.

All safety messages will follow the safety alert symbol and either the word “DANGER” or “WARNING.” These words mean:

! DANGER

You can be killed or seriously injured if you don't immediately follow instructions.

! WARNING

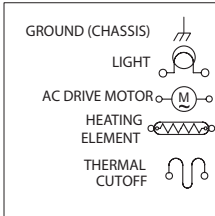
You can be killed or seriously injured if you don't follow instructions.

All safety messages will tell you what the potential hazard is, tell you how to reduce the chance of injury, and tell you what can happen if the instructions are not followed.

— NOTES —

BUILT-IN OVEN WIRING DIAGRAM

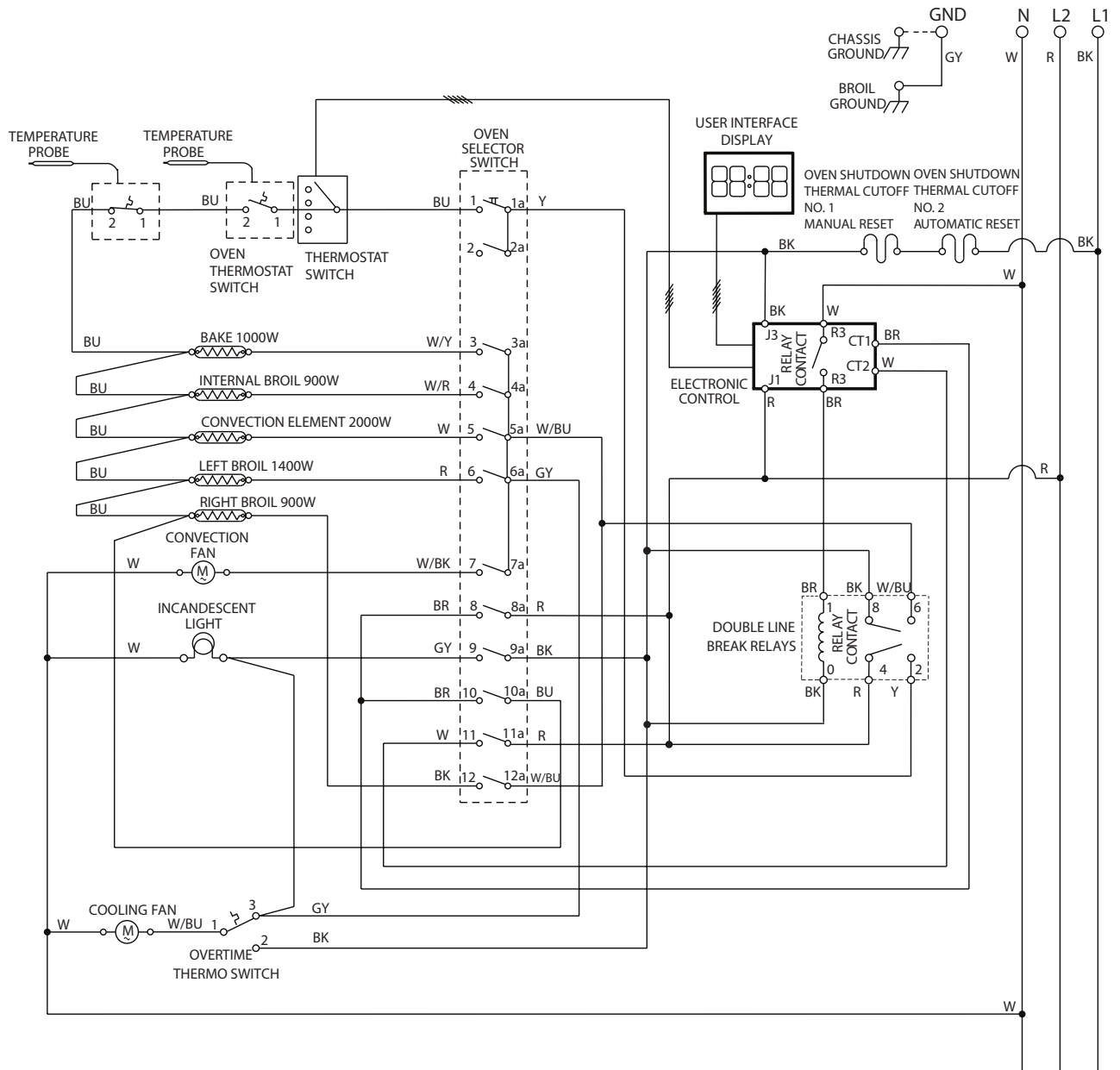
COMPONENT KEY



NOTES:

- ☒ Cooling Fan may continue running after oven has turned off until oven cools.
- ☒ Dots indicate connections.
- ☒ Circuit shown in Standby/Off mode with oven door closed.

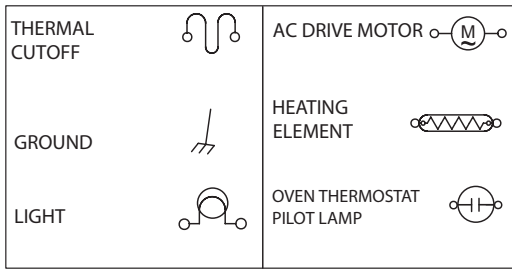
OVEN SCHEMATIC



Models: IBS124PSS, IBS324PSW

BUILT-IN OVEN WIRING DIAGRAM

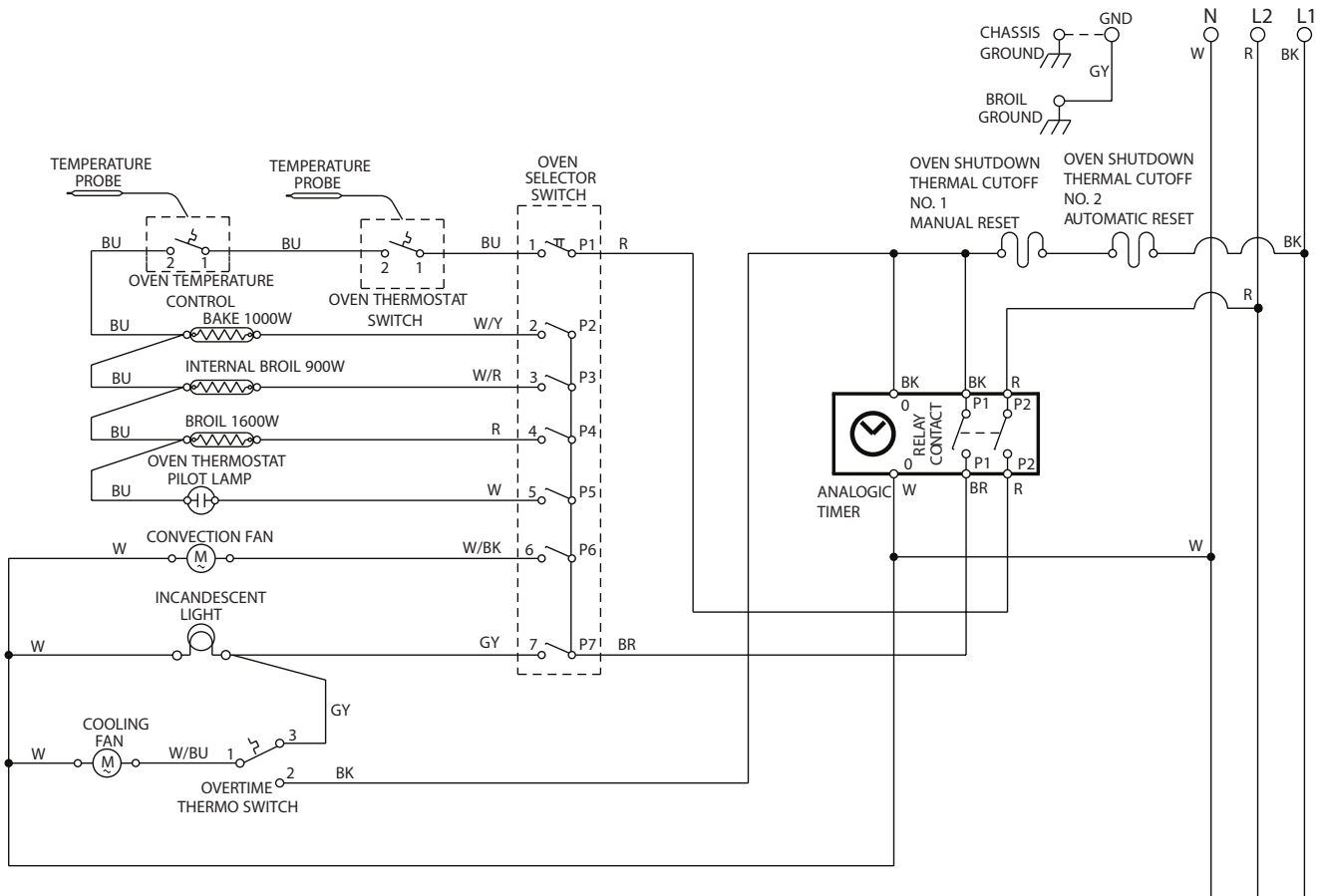
COMPONENT KEY



NOTES:

- ☒ Cooling fan may continue running after oven is turned off until oven cools.
- ☒ Dots indicate connections.
- ☒ Circuit shown in Standby/Off mode with oven door closed.

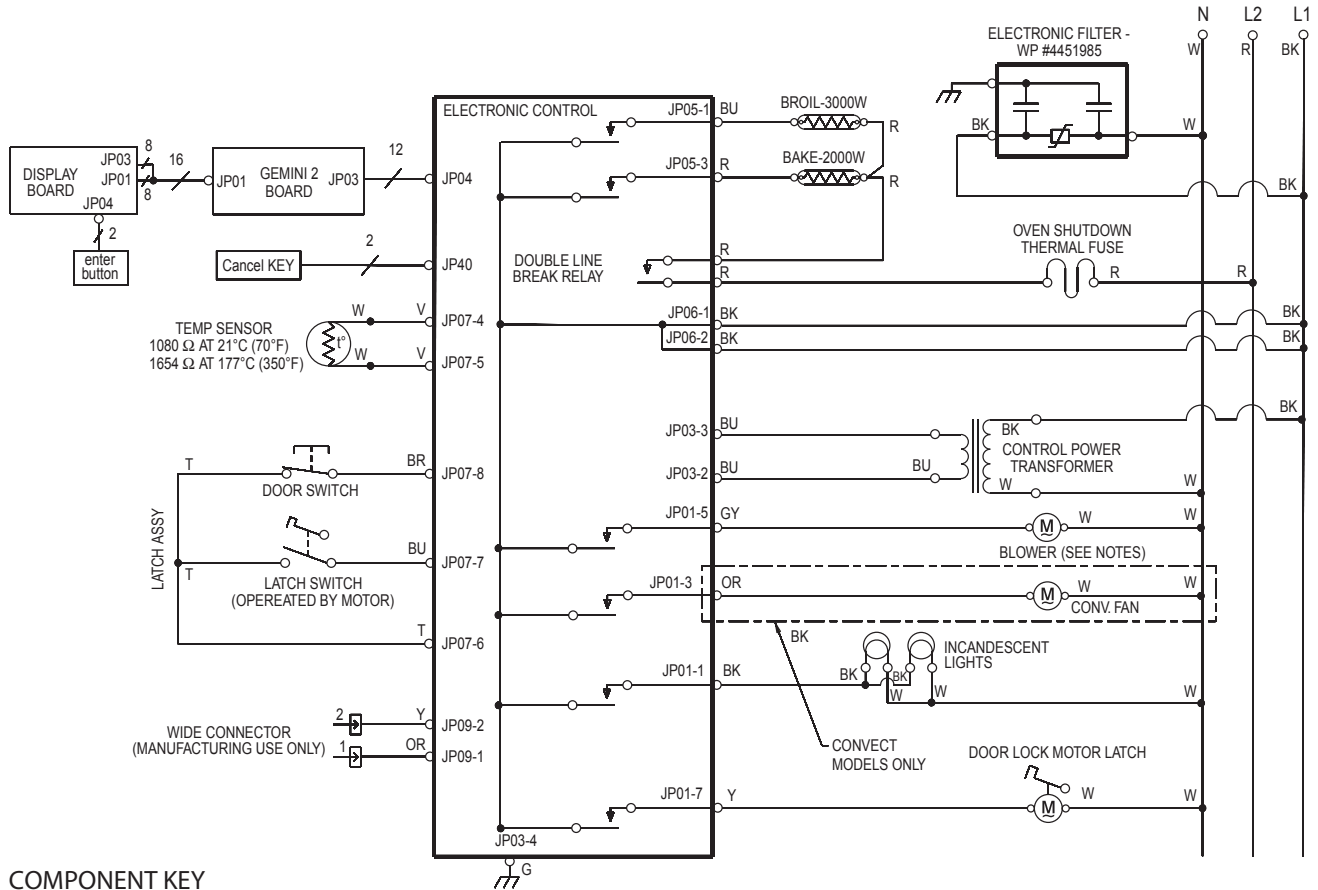
OVEN SCHEMATIC



Model: IBS224PSM

BUILT-IN OVEN WIRING DIAGRAM

OVEN SCHEMATIC



COMPONENT KEY

GROUND (CHASSIS)	RELAY COIL	ENCLOSED THERMISTOR
PLUG WITH FEMALE CONNECTOR	RELAY CONTACTS	OPERATED BY DOOR
RECEPTACLE WITH MALE CONNECTOR	HEATING ELEMENT	OPERATED BY HAND
LIGHT	AC MOTOR LATCH	THERMAL FUSE/T.O.D.
AC DRIVE MOTOR		

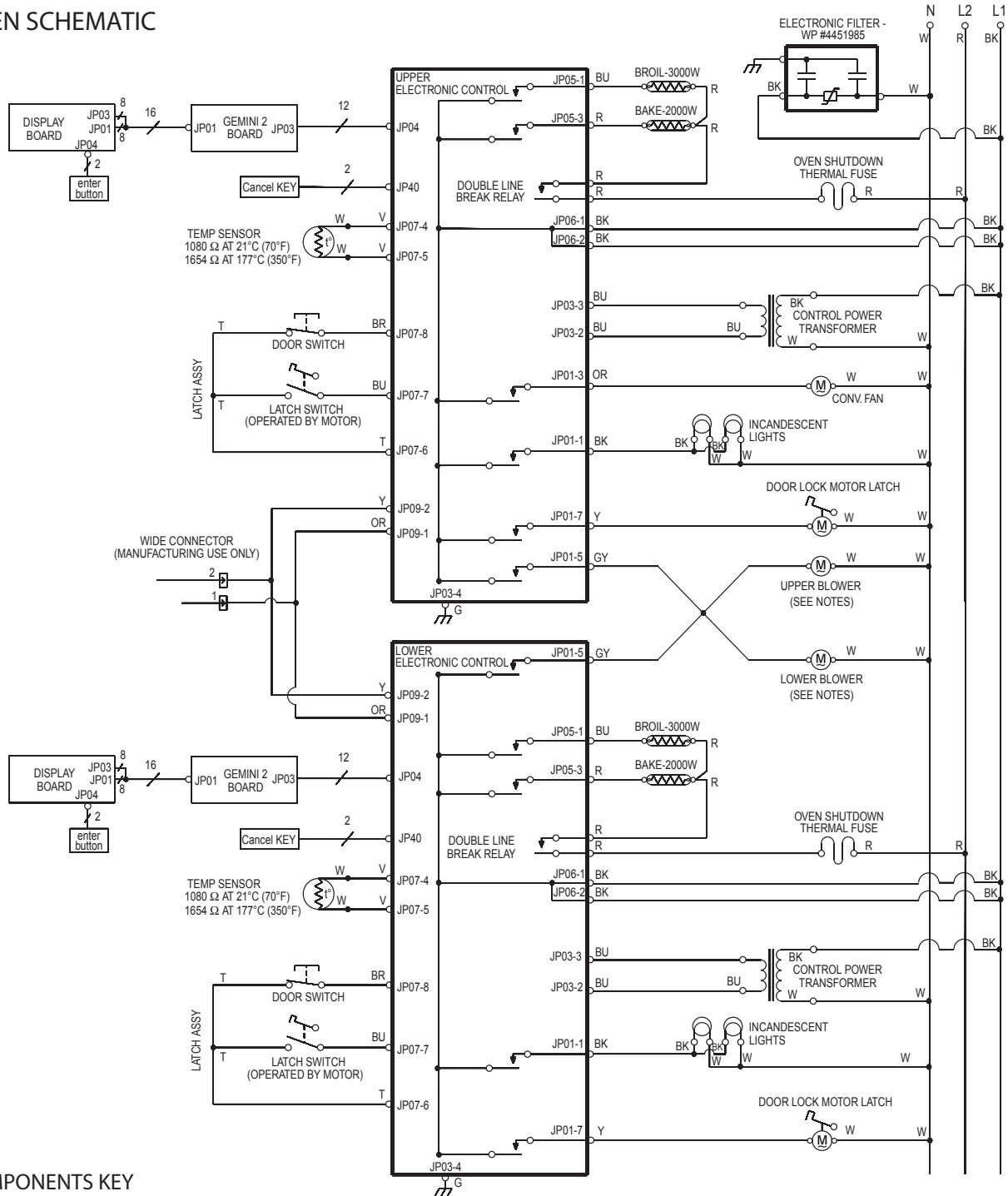
NOTES:

- ☒ Blower remains off until oven reaches 88° C (190° F) and may continue running up to 45 minutes after oven has turned off.
- ☒ Dots indicate connections.
- ☒ Circuit shown in Standby/Off mode with oven door closed.

Models: IBS330PRS, IBS330PVM, IBS550PRQ, IBS550PRS

BUILT-IN OVEN WIRING DIAGRAM

OVEN SCHEMATIC



COMPONENTS KEY

GROUND (CHASSIS)	RELAY COIL	ENCLOSED THERMISTOR
PLUG WITH FEMALE CONNECTOR	RELAY CONTACTS	OPERATED BY DOOR
RECEPTACLE WITH MALE CONNECTOR	HEATING ELEMENT	OPERATED BY HAND
LIGHT	AC MOTOR LATCH	THERMAL FUSE/T.O.D.
AC DRIVE MOTOR		

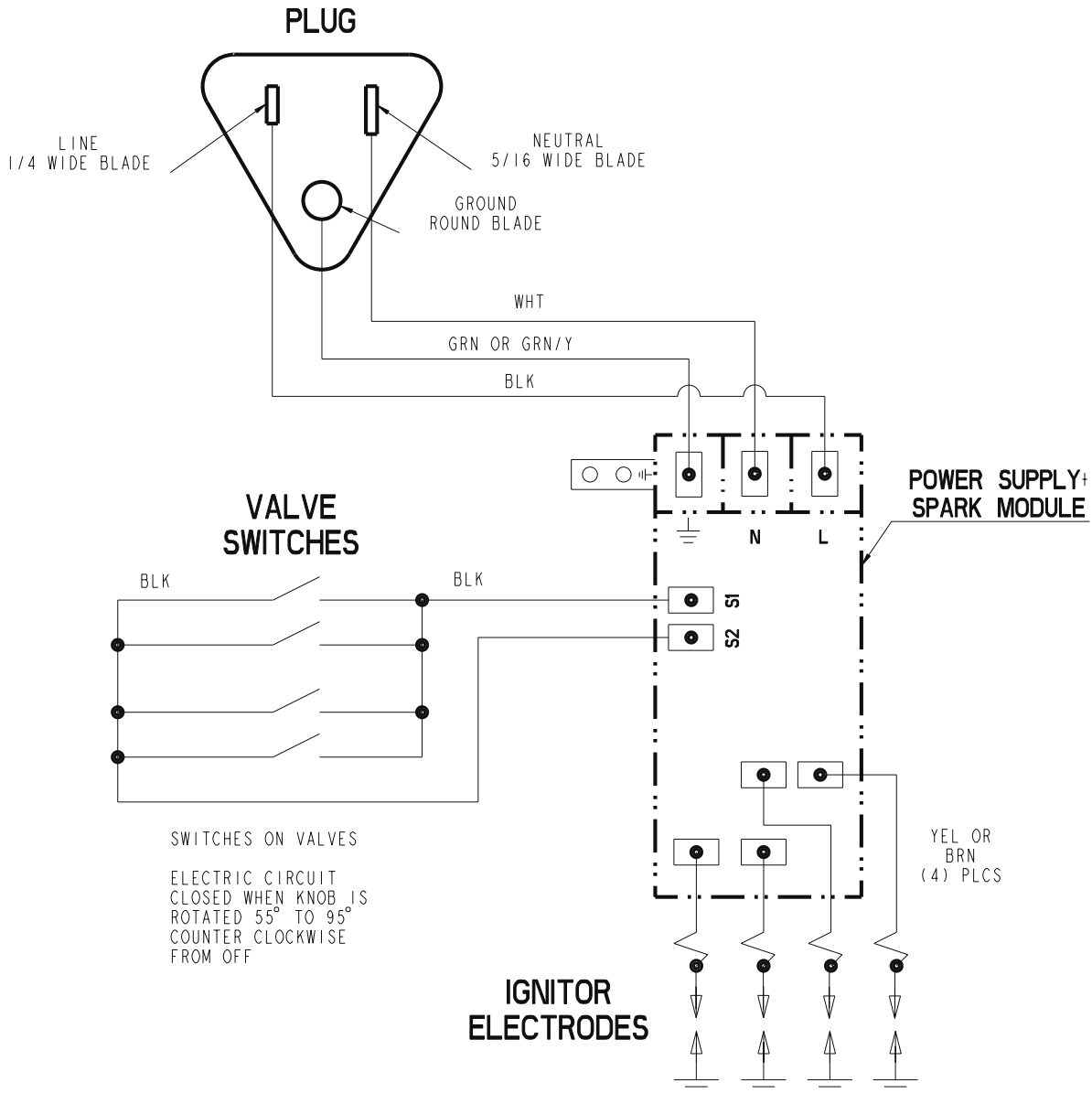
NOTES:

- ☒ Blower remains off until oven reaches 88° C (190° F) and may continue running up to 45 minutes after oven has turned off.
- ☒ Dots indicate connections.
- ☒ Circuit shown in Standby/Off mode with oven door closed.

Model: IBD550PRS

GAS COOKTOP WIRING DIAGRAM

THE POWER CORD ON THIS APPLIANCE IS EQUIPPED WITH A THREE PRONGED (GROUNDING) PLUG WHICH MATES WITH STANDARD THREE PRONGED (GROUNDING) WALL RECEPTACLES



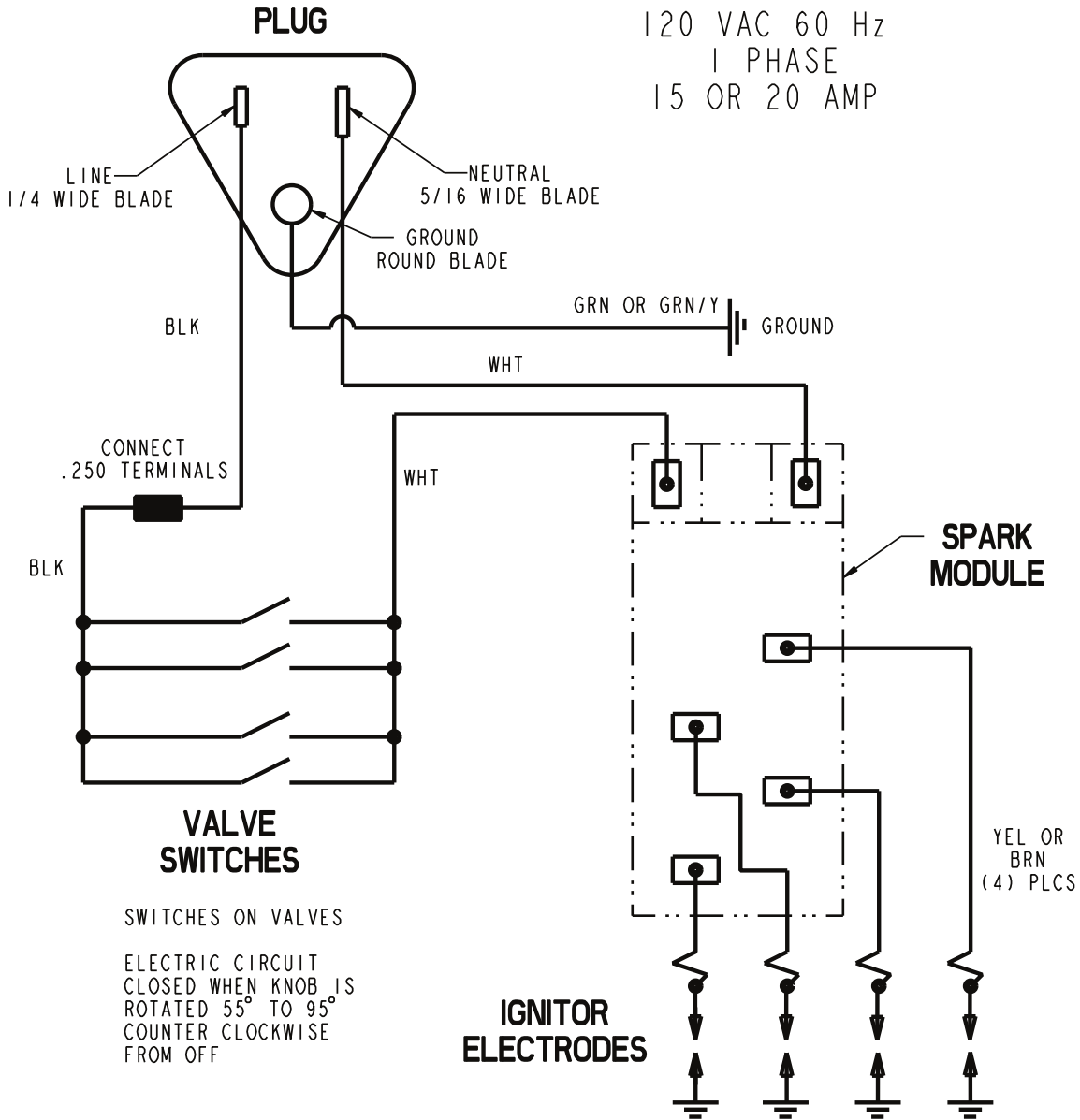
Caution: Label all wires prior to disconnection when servicing controls. Wiring errors can cause improper and dangerous operation.

Verify proper operation after servicing.

Models: ICS304SM, ICS404SB

GAS COOKTOP WIRING DIAGRAM

THE POWER CORD ON THIS APPLIANCE IS EQUIPPED WITH A THREE PRONGED (GROUNDING) PLUG WHICH MATES WITH STANDARD THREE PRONGED (GROUNDING) WALL RECEPTACLES



Caution: Label all wires prior to disconnection when servicing controls. Wiring errors can cause improper and dangerous operation.

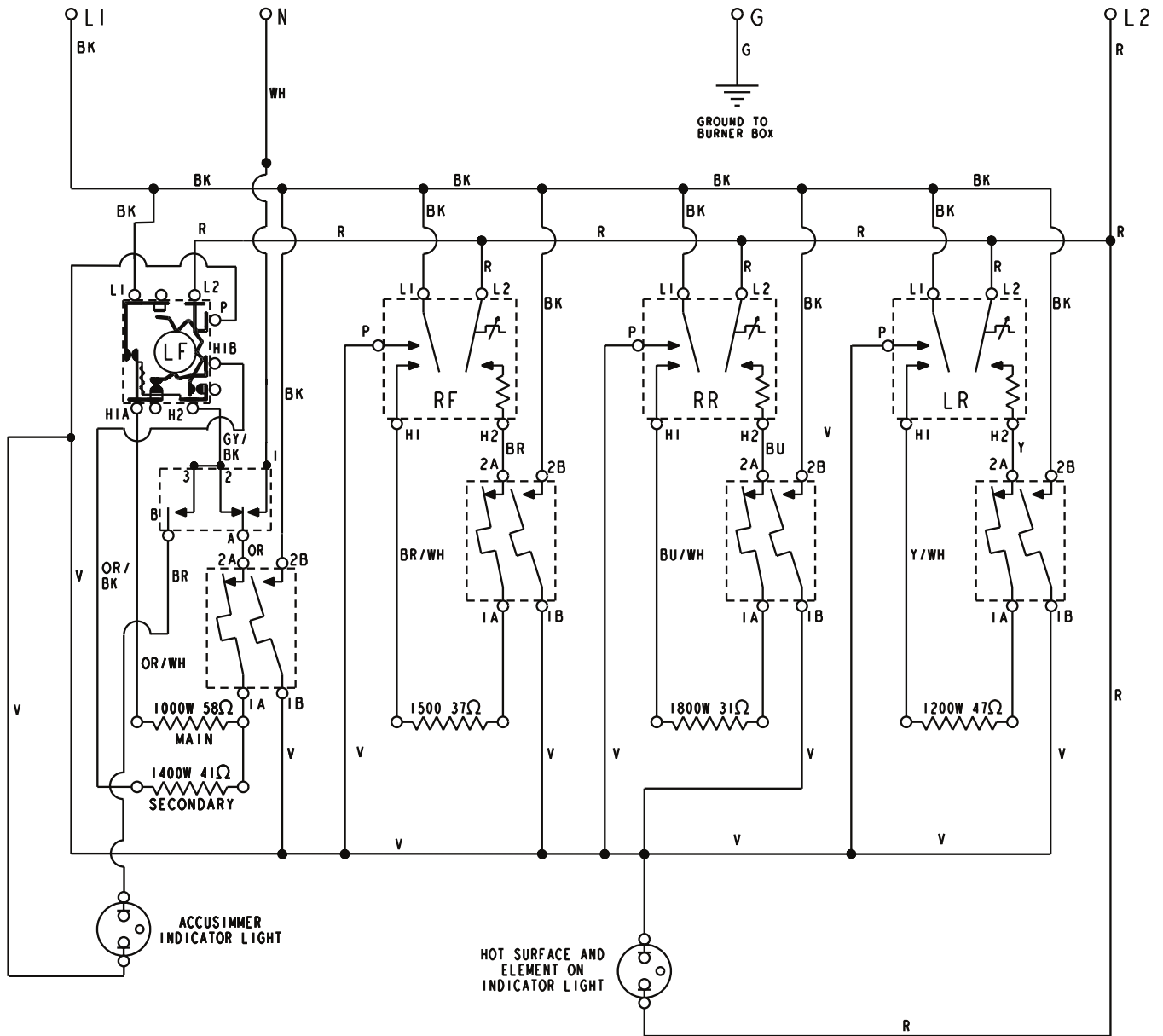
Verify proper operation after servicing.

Models: ICS300RQ, ICS300RS, ICS300VM, ICS306RS

- NOTES -

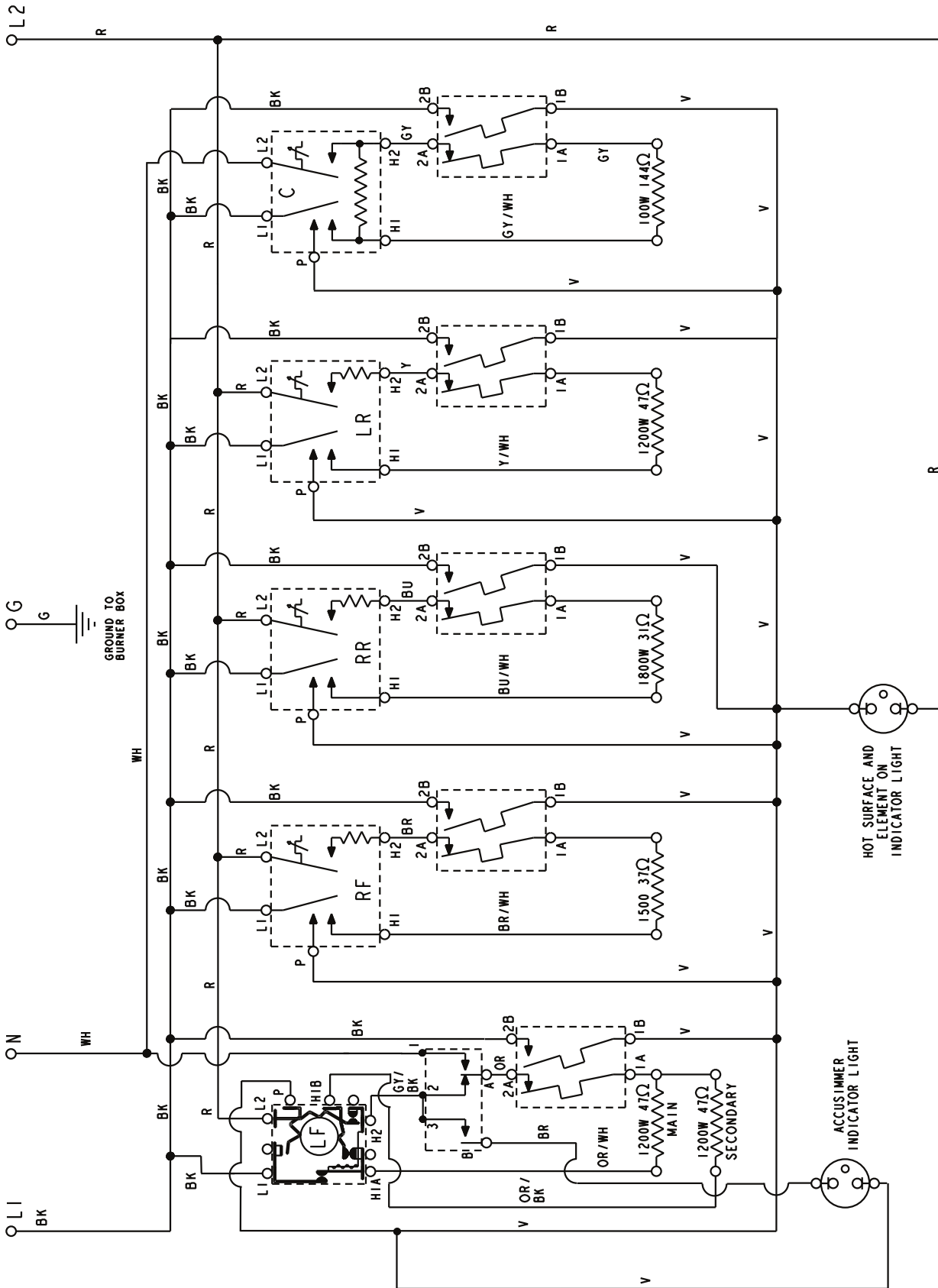
- NOTES -

ELECTRIC CERAN COOKTOP WIRING DIAGRAM



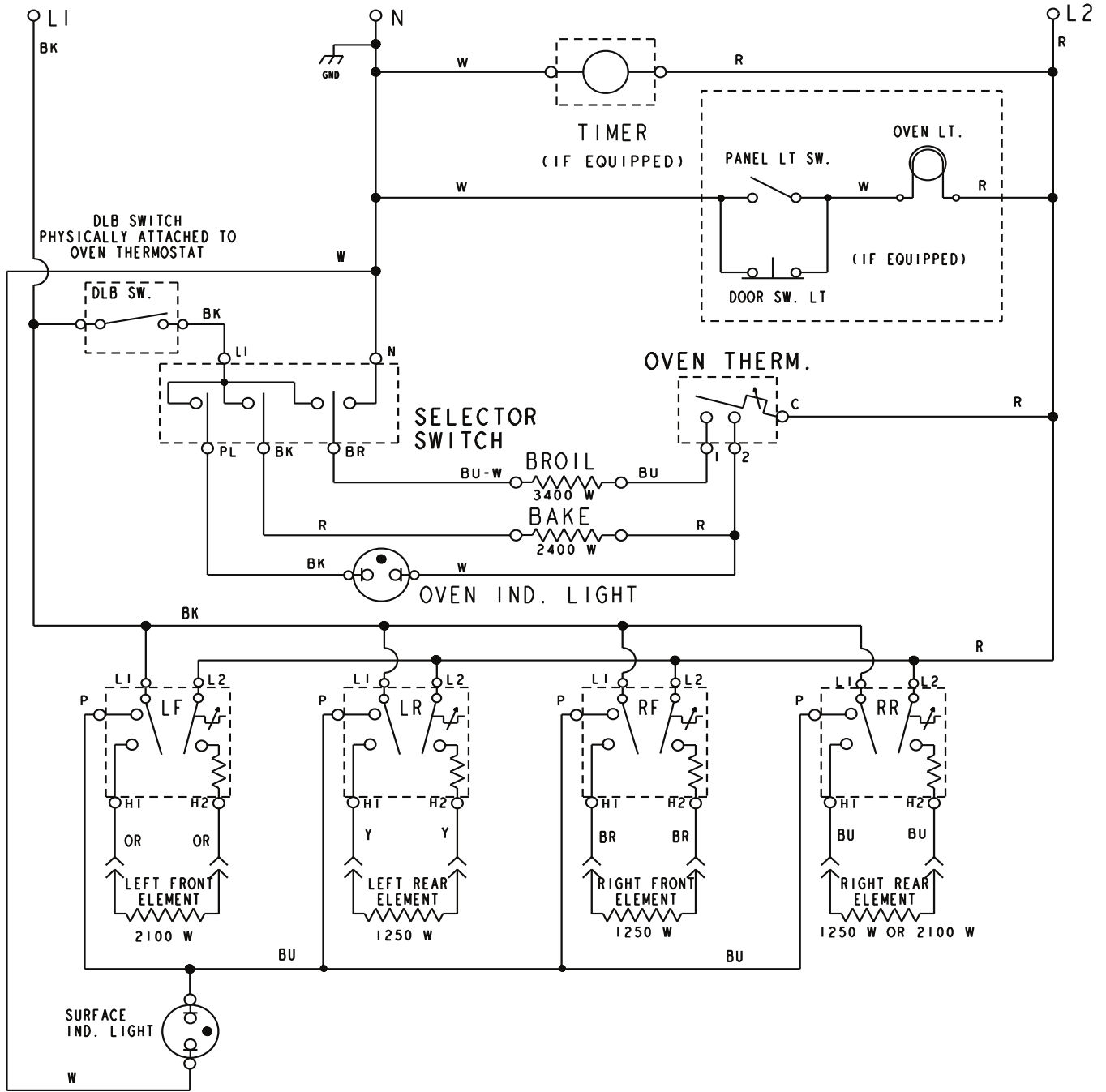
Models: ICR410RB, ICS410RP

ELECTRIC CERAN COOKTOP WIRING DIAGRAM



Models: ICR416RB, ICR416RP

ELECTRIC RANGE WIRING DIAGRAM

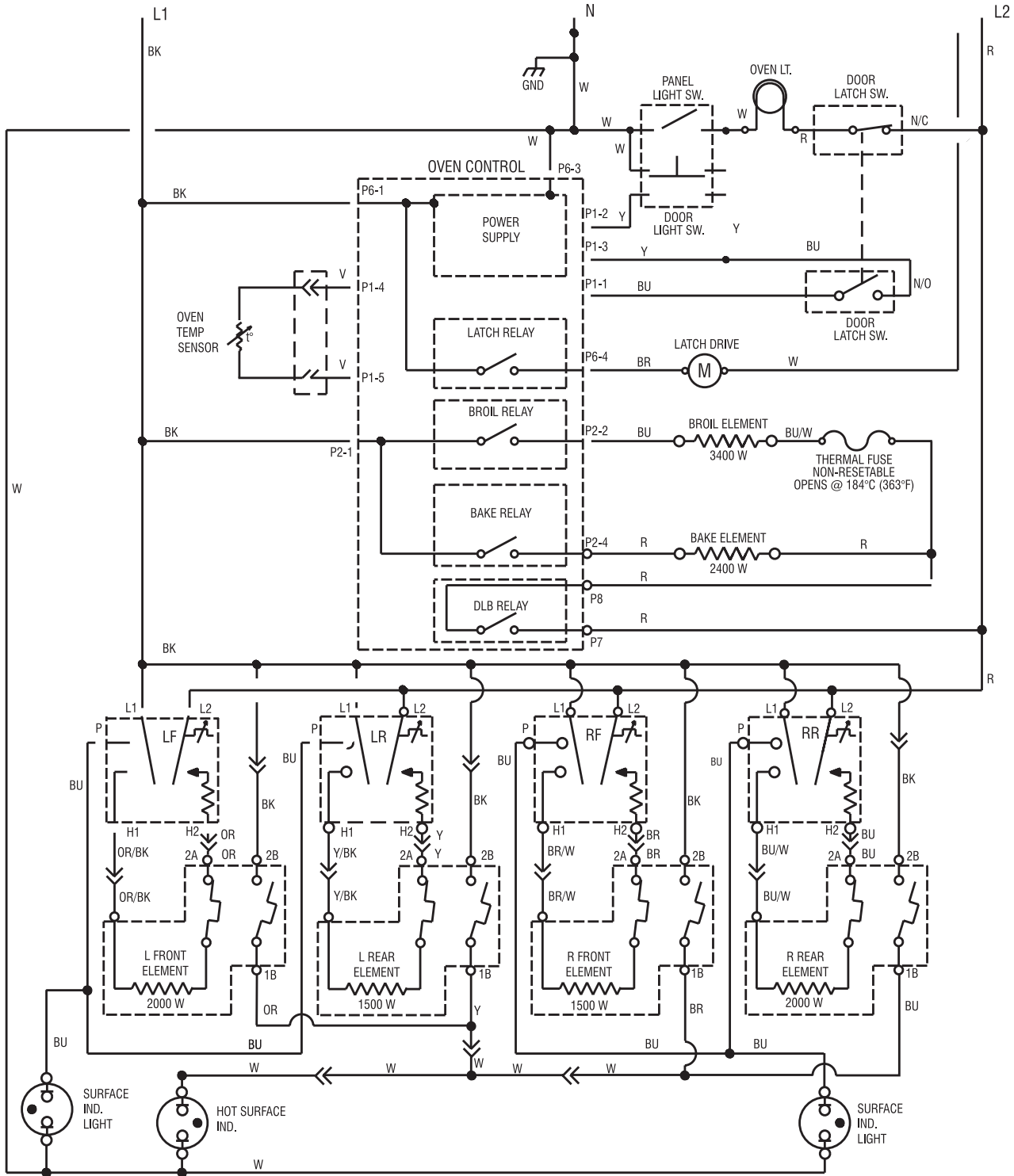


SWITCH OPERATION	
POSITION	CONNECTION
OFF	NO CONNECTION
BAKE	L1-BK, L1-PL, N-BR
BROIL	L1-BR, L1-PL

Models: IER320TW, YIER320TW, IER310RW, YIER310RW

ELECTRIC RANGE WIRING DIAGRAM

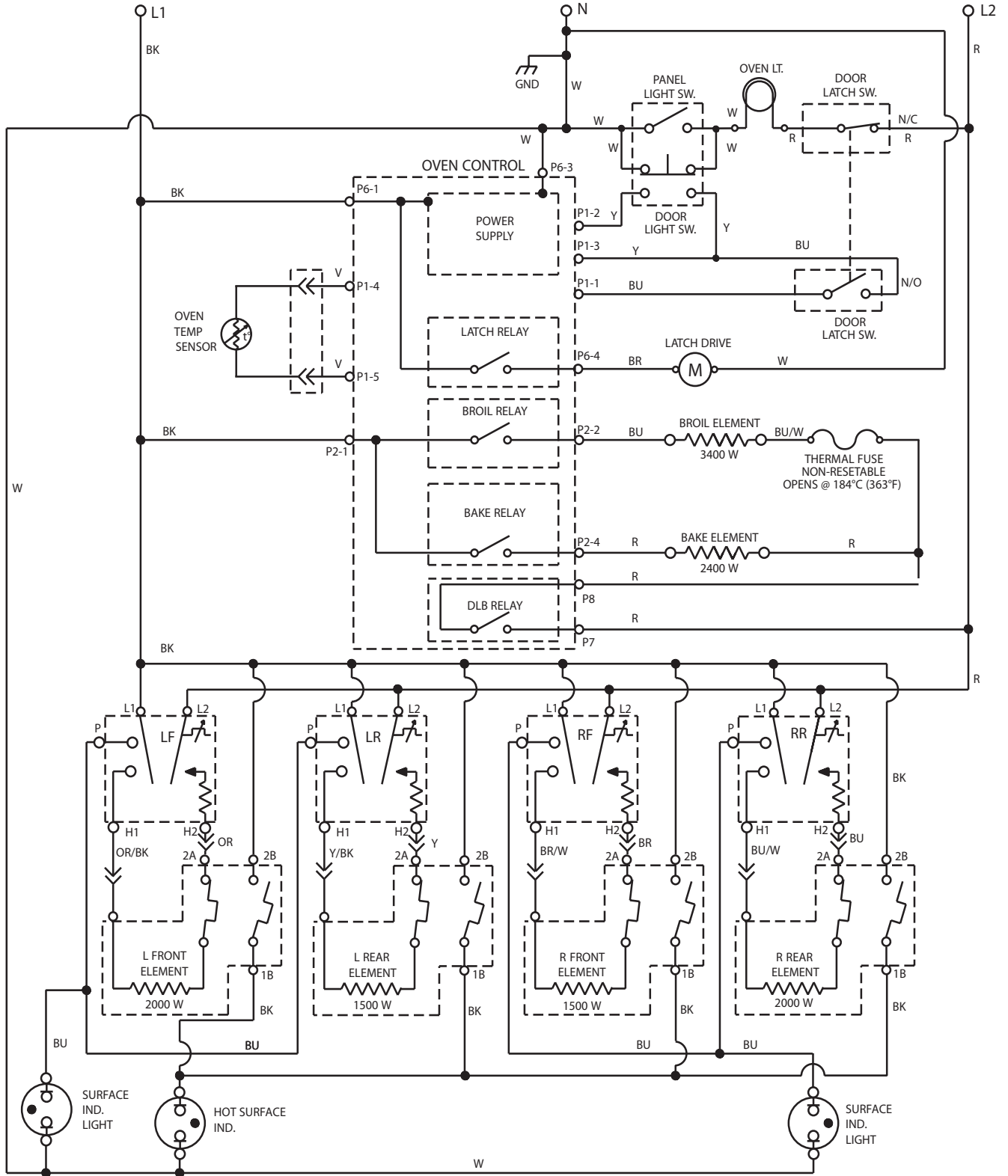
NOTE: Schematic shows door latch switch in the COOK position with oven door open and elements off.



Models: IES366RS, YIES366RS

ELECTRIC RANGE WIRING DIAGRAM

Schematic shows door latch switch in the COOK position with oven door open and elements off.

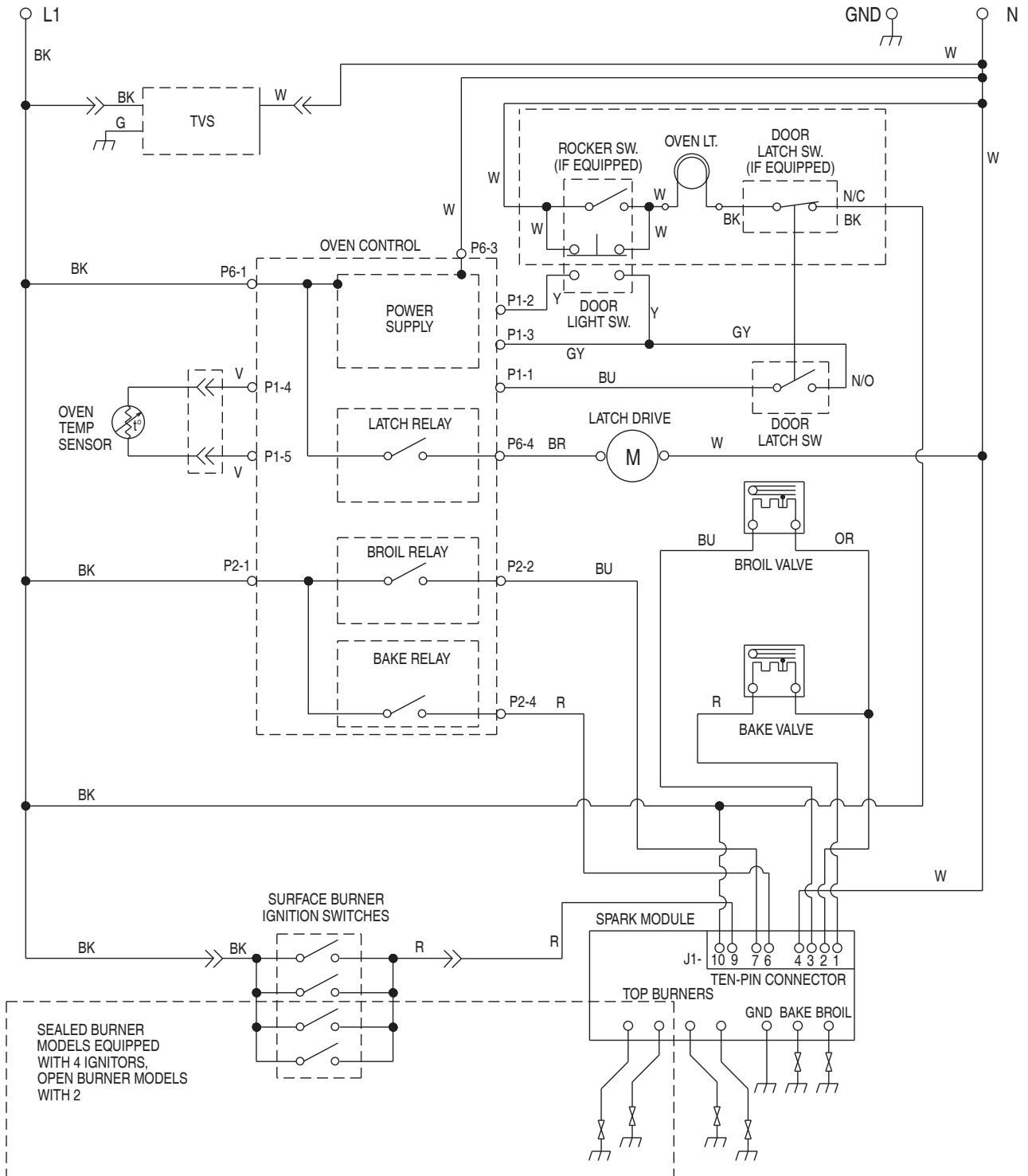


Models: IES366SQ, YIES366SQ

— NOTES —

GAS RANGE WIRING DIAGRAM

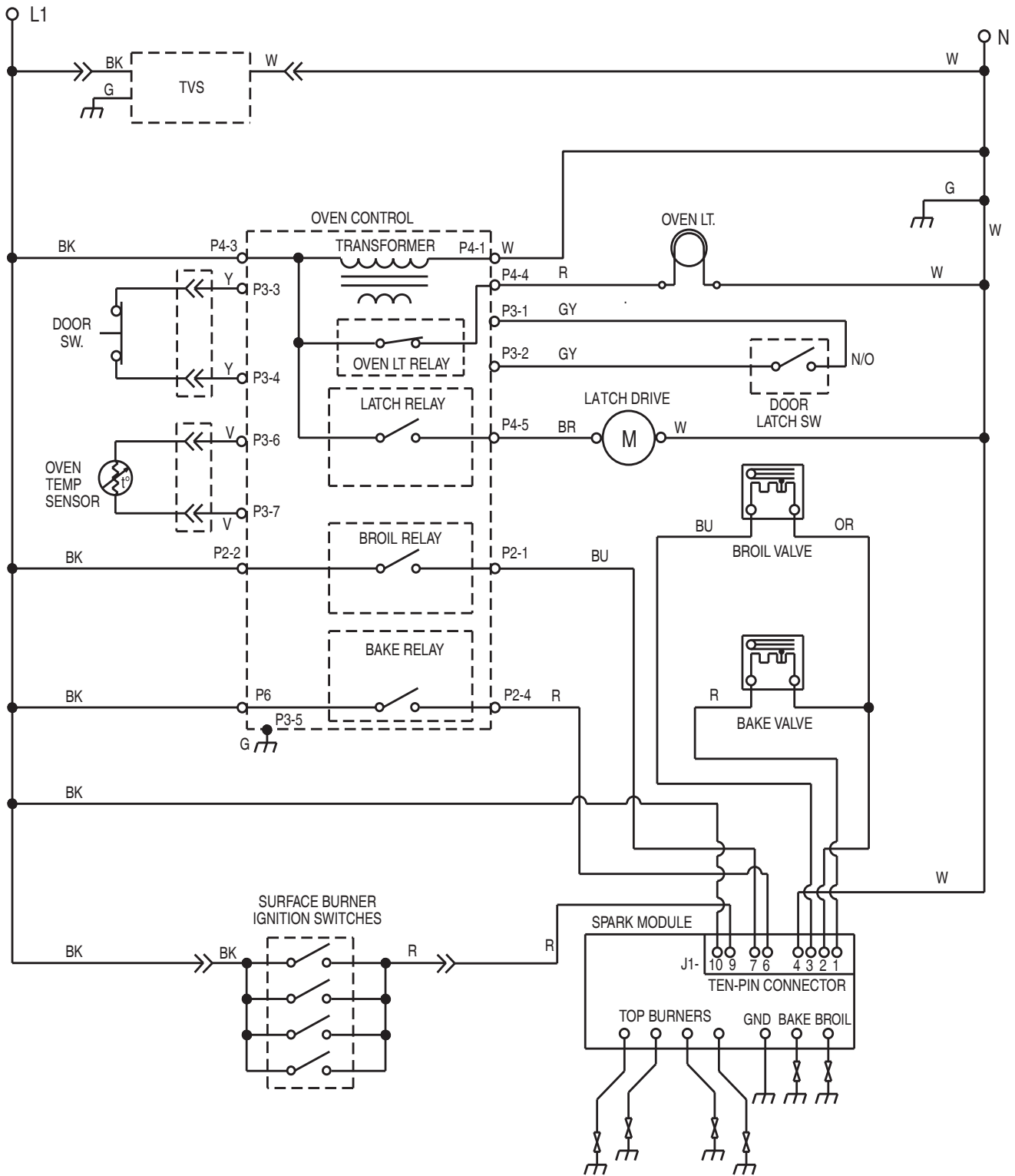
NOTE: Schematic shows door latch switch in the COOK position with oven door open, oven off and light on.



Model: IGS365RS

GAS RANGE WIRING DIAGRAM

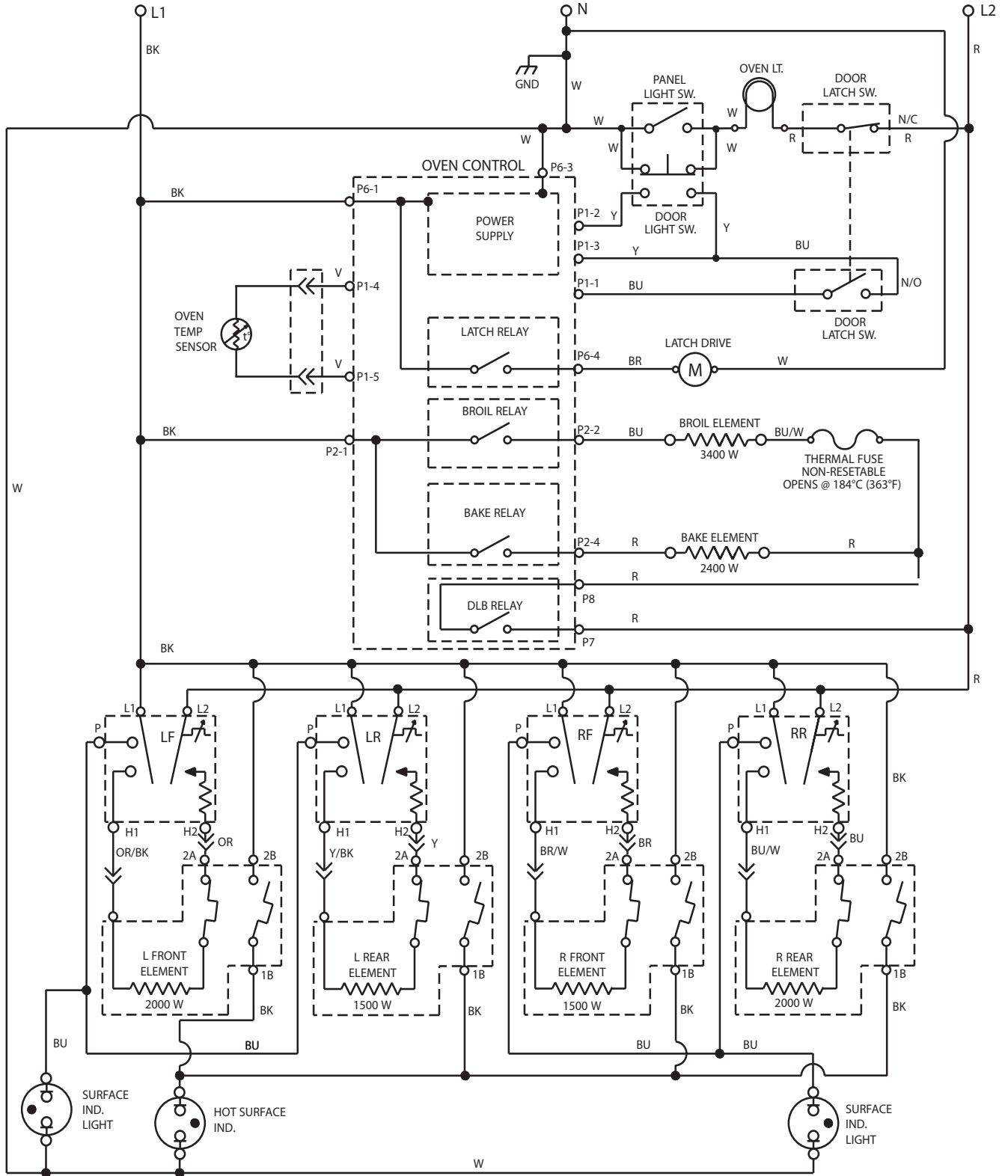
NOTE: Schematic shows door latch switch in the COOK position with oven door open, oven off and light on.



Model: IGS385RS

ELECTRIC RANGE WIRING DIAGRAM

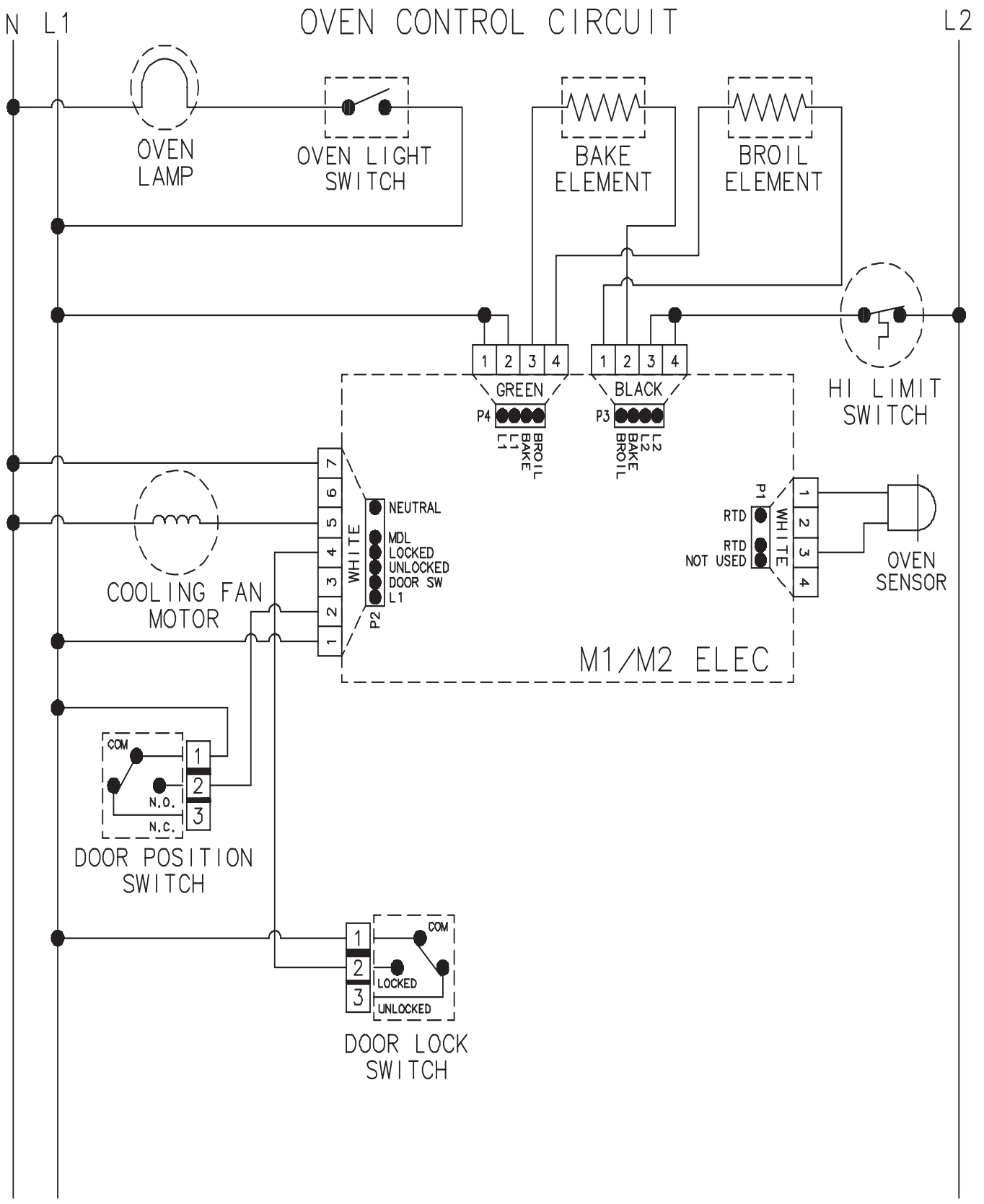
Schematic shows door latch switch in the COOK position with oven door open and elements off.



Models: IES366SQ, YIES366SQ

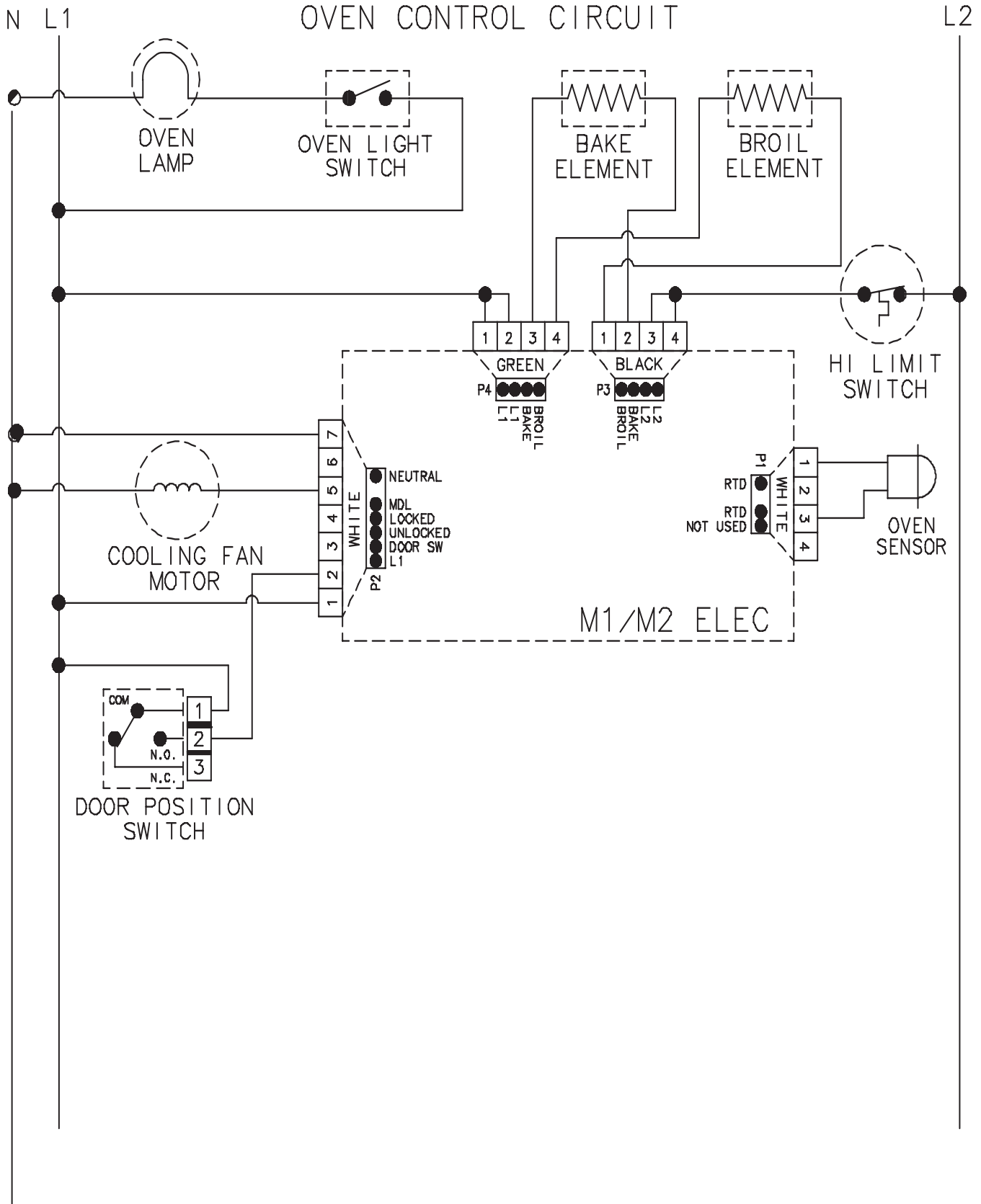
— NOTES —

ELECTRIC SLIDE-IN RANGE WIRING DIAGRAM



Model: ISE630VS

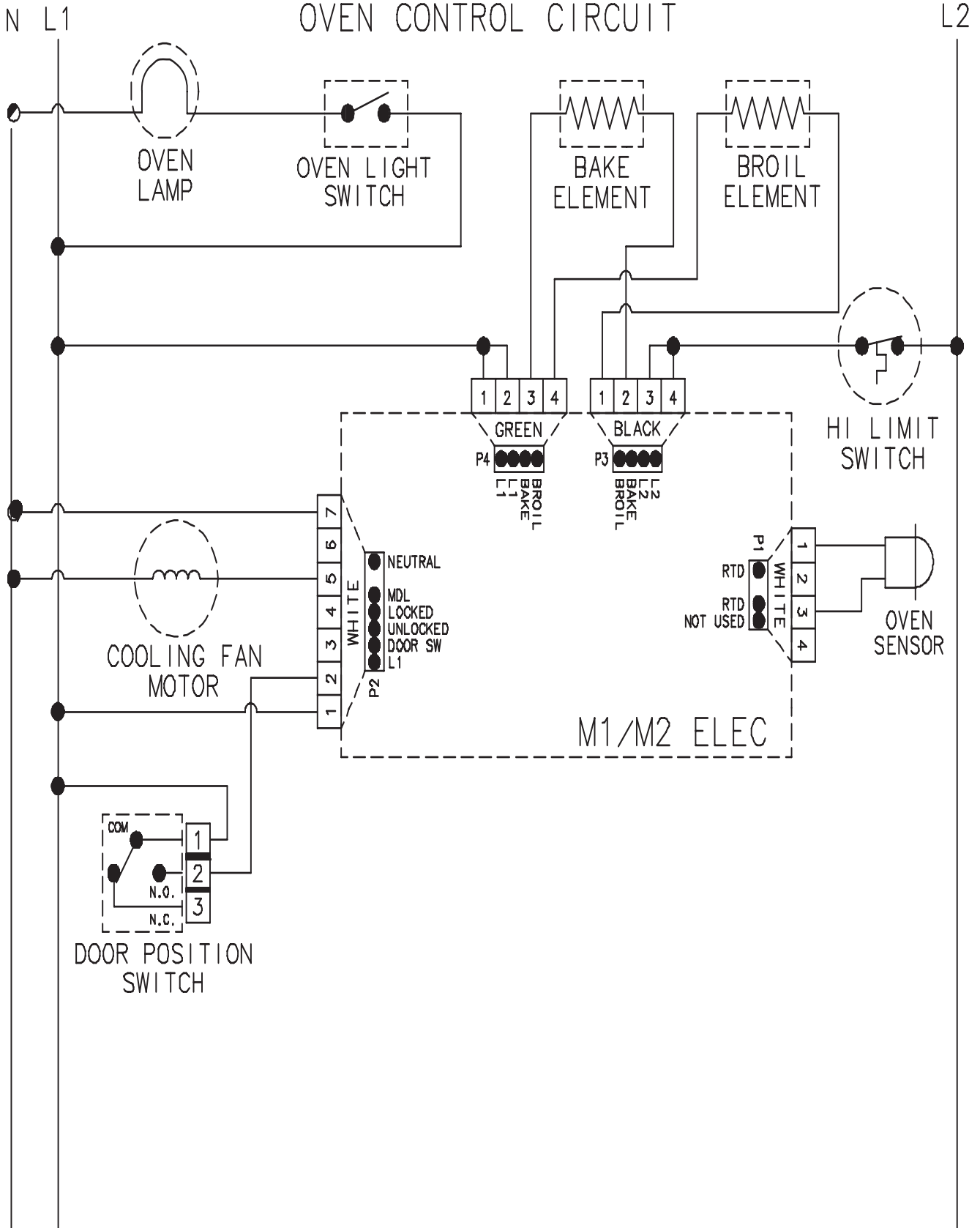
ELECTRIC SLIDE-IN RANGE WIRING DIAGRAM



Model: YISE630VS

GAS SLIDE-IN RANGE WIRING DIAGRAM

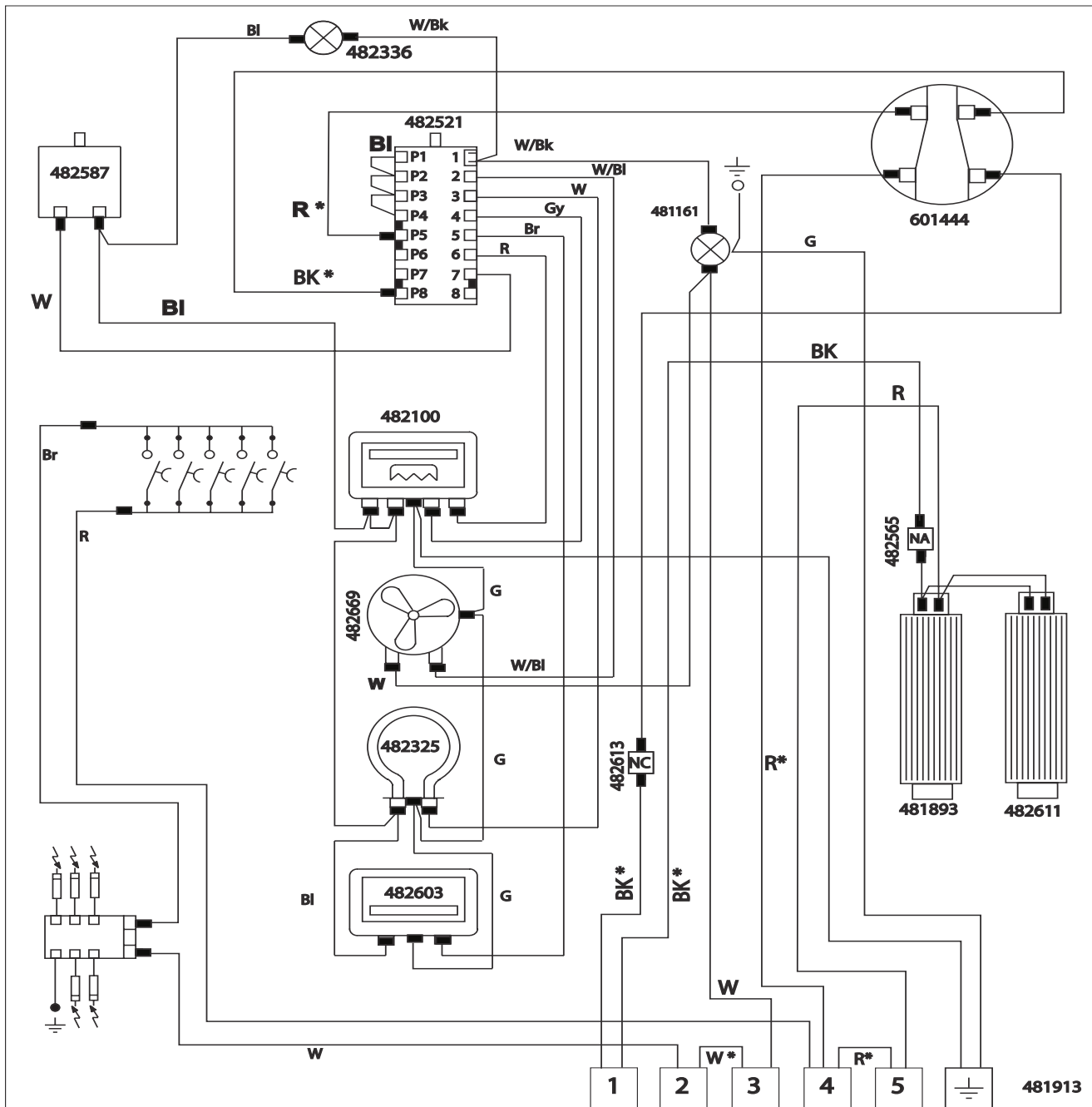
OVEN CONTROL CIRCUIT



Model: ISG650VS

— NOTES —

DUAL FUEL RANGE WIRING DIAGRAM



Note costruttive

Tutti i cavi in 16AWG (style 3135) 200 °C eccetto i colori G - BK* - R* in 14AWG (style 3135) 200 °C

Tutti i Coprifaston di colore Nero

Legenda colori

Black=Bk
Brown=Br
Red=R
Yellow=Y
Green=G
Blue=Bl
White/blue=W/BL
Grey=Gy (S)
White=W

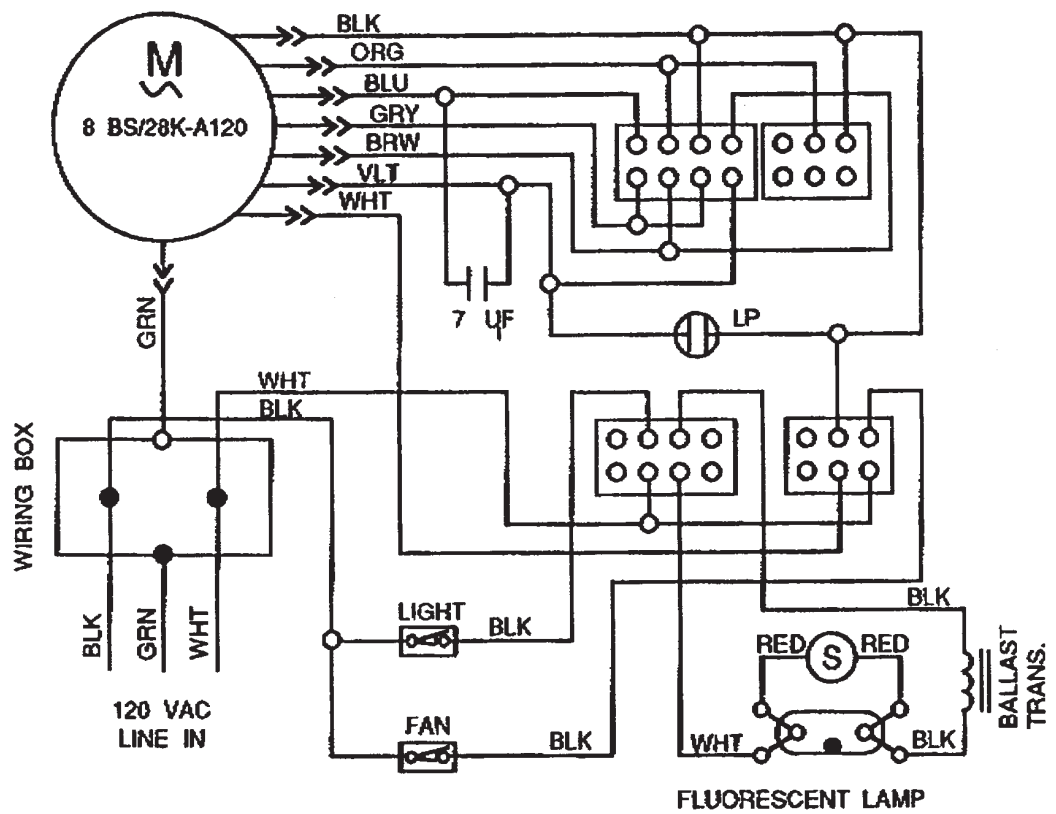
Codice - Componente

- | | |
|-----------------------------------|-------------------------------|
| 482100 (A) Broil Element | 482587 Oven Thermostat |
| 482100 (B) Internal Broil Element | 482613 Thermo switch |
| 481161 Lamp | 482565 Overtime Thermo switch |
| 482603 Bake Element | 482669 Convectional Fan Motor |
| 482521 Oven Selector Switch | 481893+482611 Cooling Fan |
| 482326 Warming Light | 482518 Spark Generator |
| 482325 Ring Element | 481522 Hob Switch Ignition |
| 481913 Terminal block | 601444 Timer |

Models: YIDC875SS, YIDC865VM

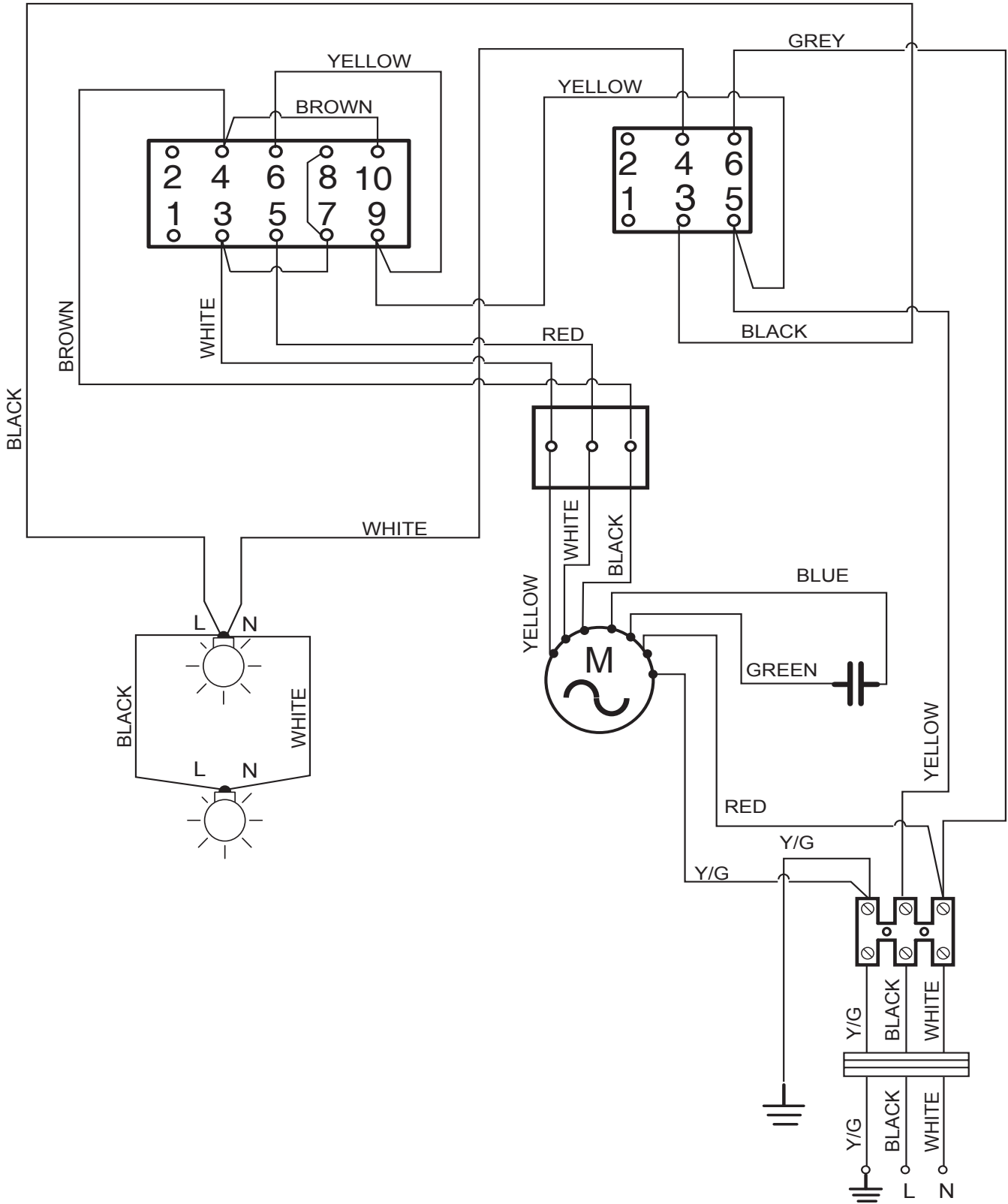
- NOTES -

TRADITIONAL HOOD WIRING DIAGRAM



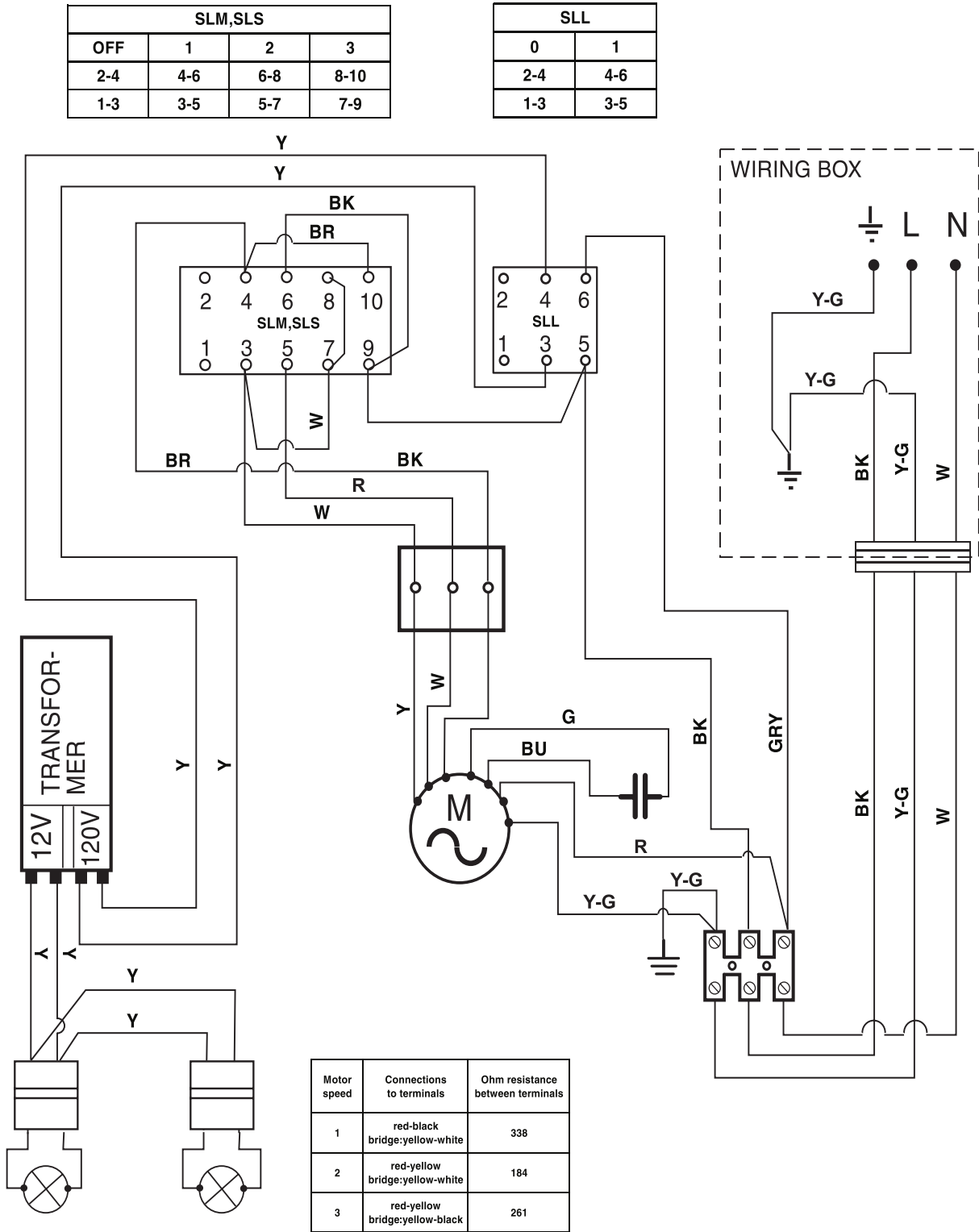
Model: IH5302RS

DESIGNER HOOD WIRING DIAGRAM



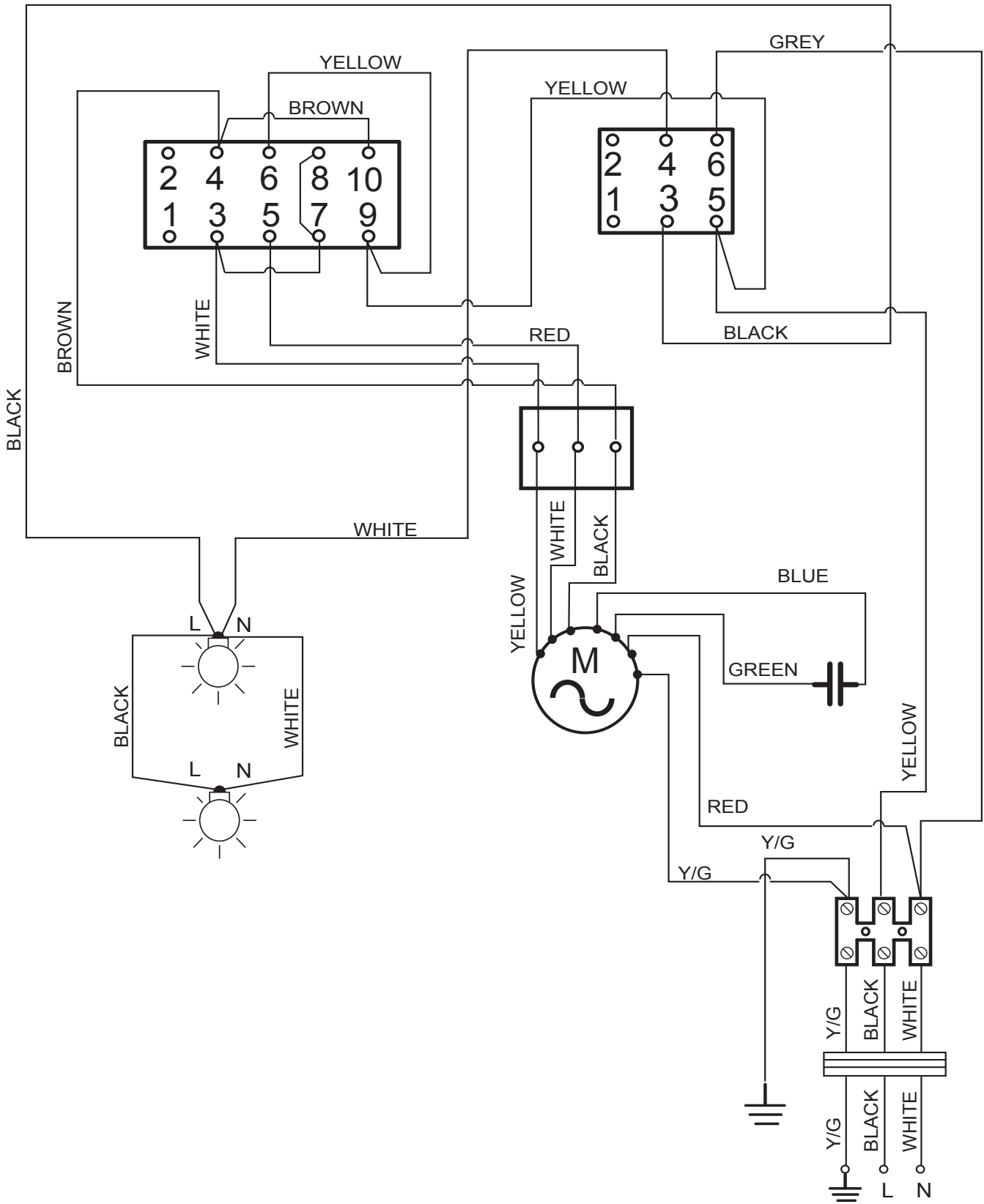
Models: IH6242SM, IH6302RS

DESIGNER HOOD WIRING DIAGRAM



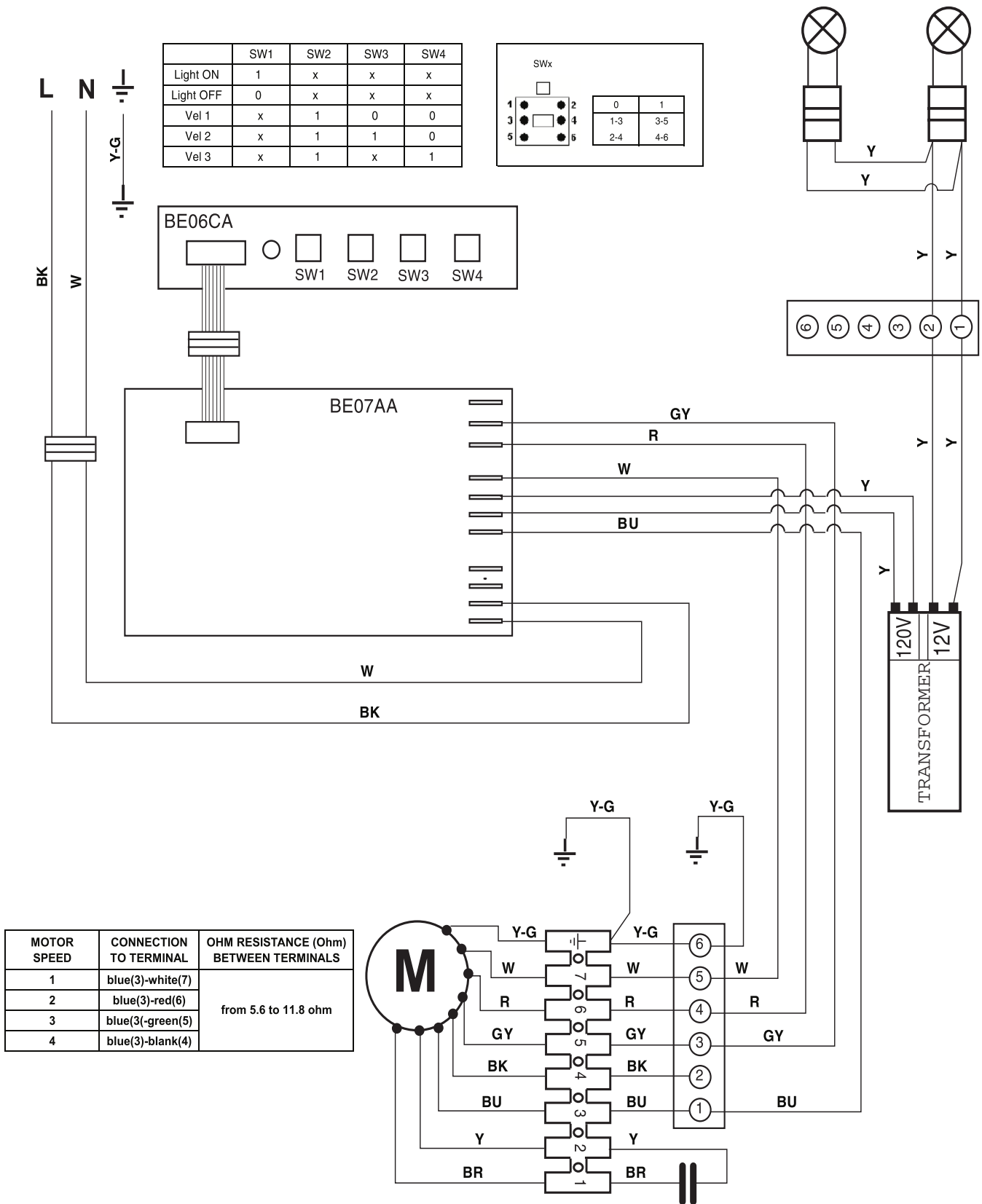
Model: IH4302SS

DESIGNER HOOD WIRING DIAGRAM



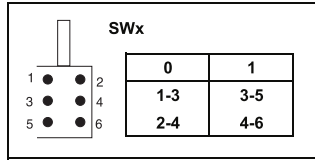
Model: IH6362RS

DESIGNER HOOD WIRING DIAGRAM

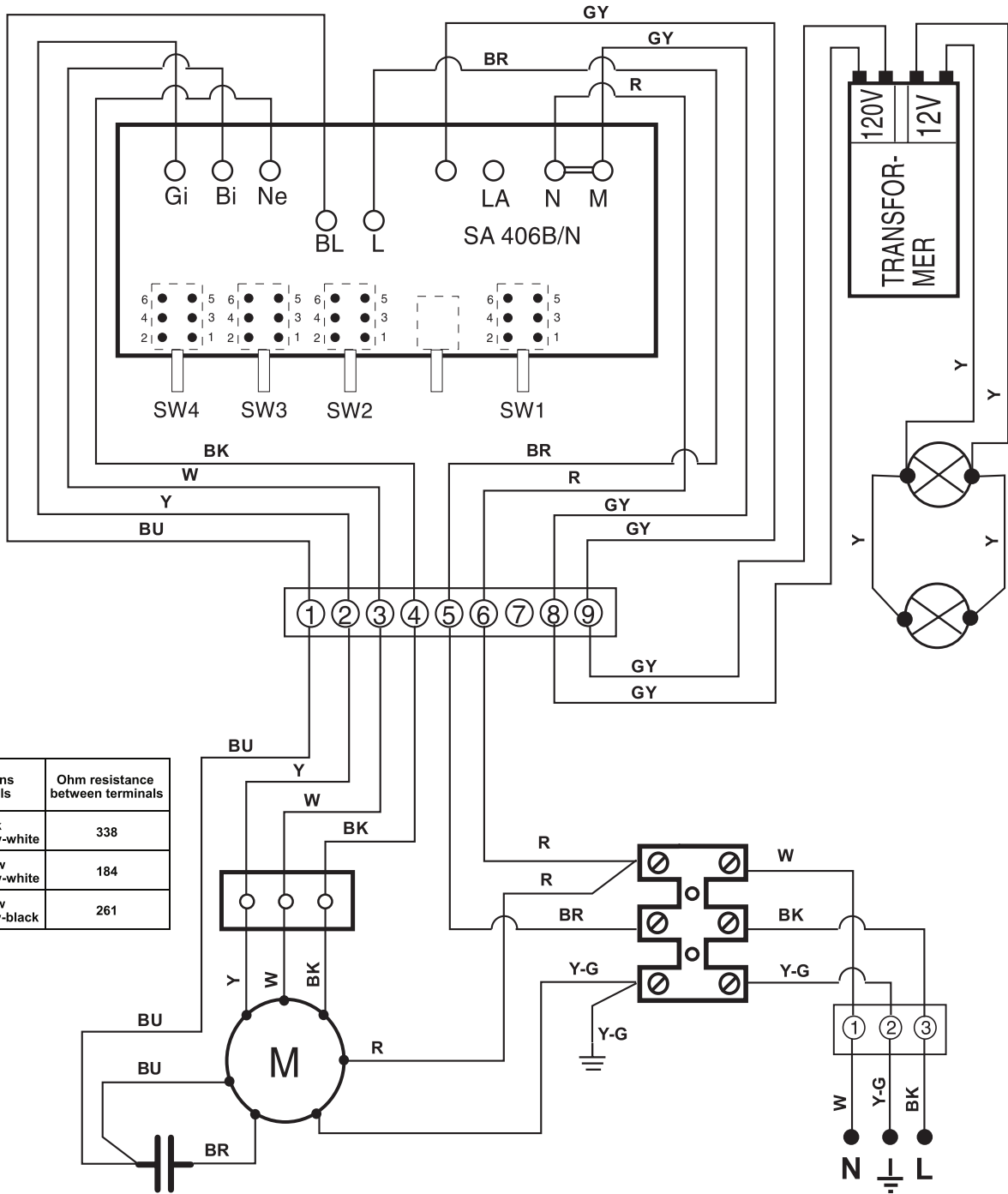


Model: IH8362SS

DESIGNER HOOD WIRING DIAGRAM



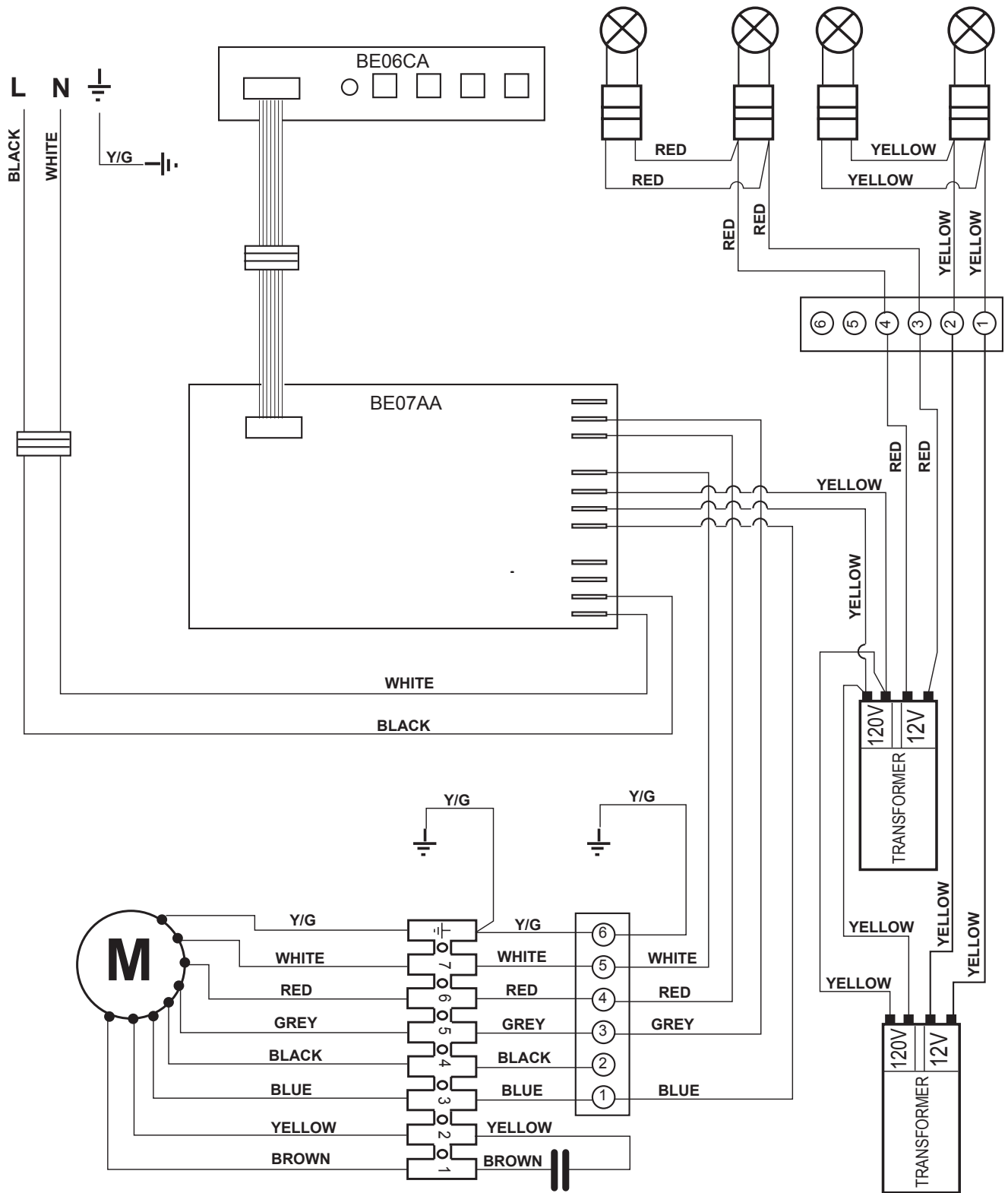
	SW1	SW2	SW3	SW4	light motor
Light ON	1	x	x	x	0
Light OFF	0	x	x	x	0
Vel 1	x	1	0	0	1
Vel 2	x	0	1	0	1
Vel 3	x	0	0	1	1



Motor speed	Connections to terminals	Ohm resistance between terminals
1	red-black bridge:yellow-white	338
2	red-yellow bridge:yellow-white	184
3	red-yellow bridge yellow-black	261

Model: IH5303SS

DESIGNER HOOD WIRING DIAGRAM

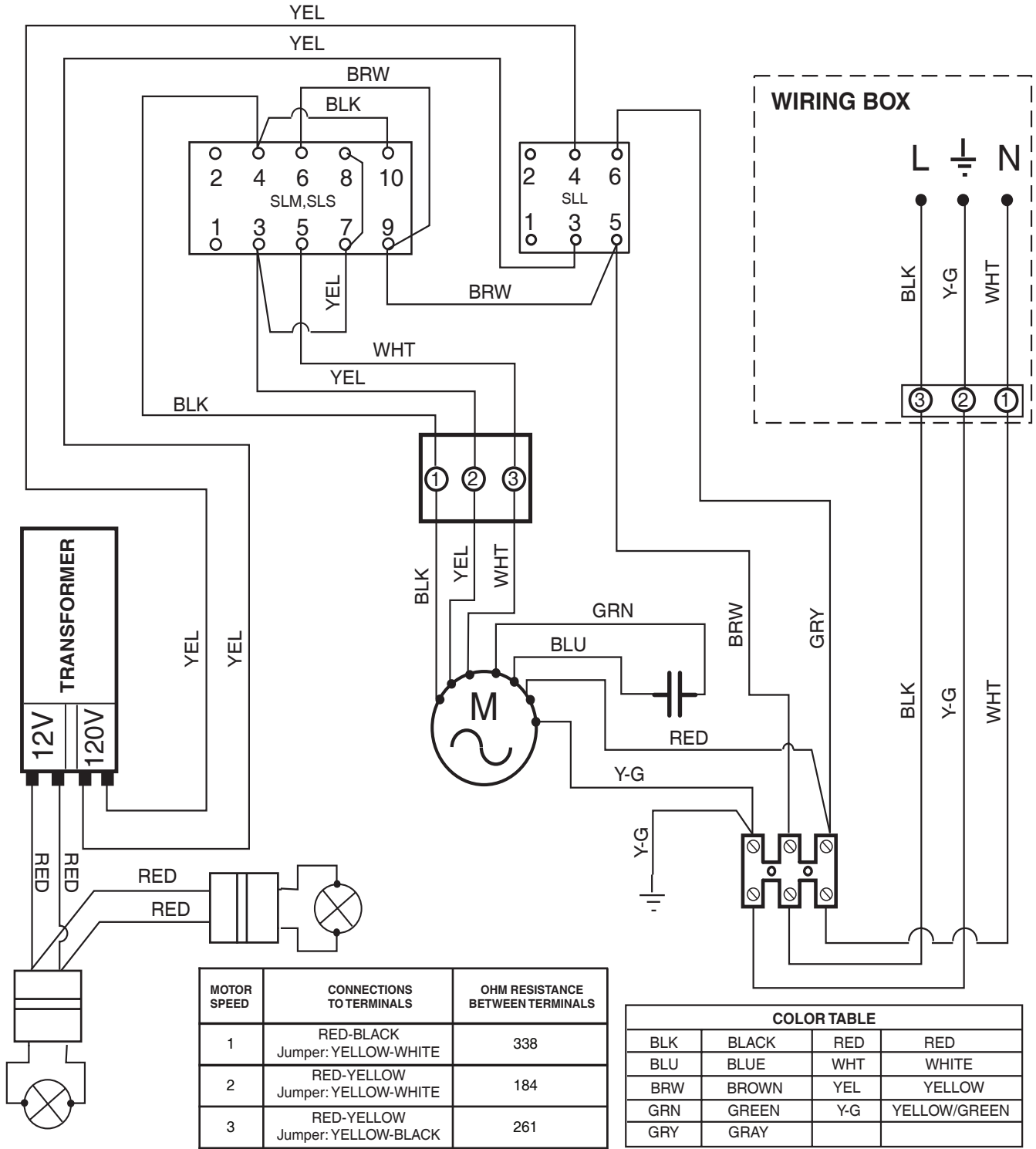


Model: IH8432RS

DESIGNER HOOD WIRING DIAGRAM

SLM,SLS			
OFF	1	2	3
2-4	4-6	6-8	8-10
1-3	3-5	5-7	7-9

SLL	
0	1
2-4	4-6
1-3	3-5

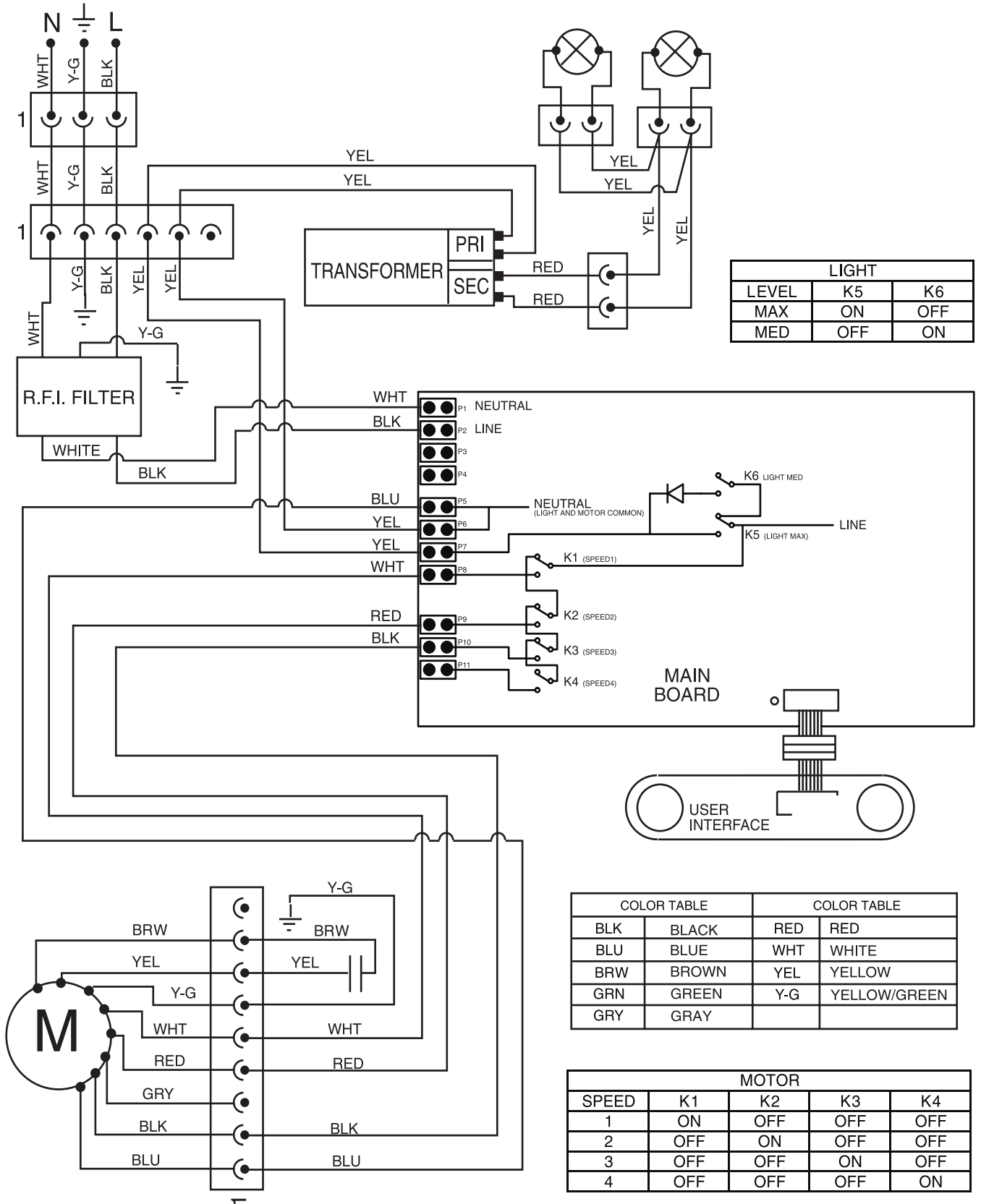


MOTOR SPEED	CONNECTIONS TO TERMINALS	OHM RESISTANCE BETWEEN TERMINALS
1	RED-BLACK Jumper: YELLOW-WHITE	338
2	RED-YELLOW Jumper: YELLOW-WHITE	184
3	RED-YELLOW Jumper: YELLOW-BLACK	261

COLOR TABLE			
BLK	BLACK	RED	RED
BLU	BLUE	WHT	WHITE
BRW	BROWN	YEL	YELLOW
GRN	GREEN	Y-G	YELLOW/GREEN
GRY	GRAY		

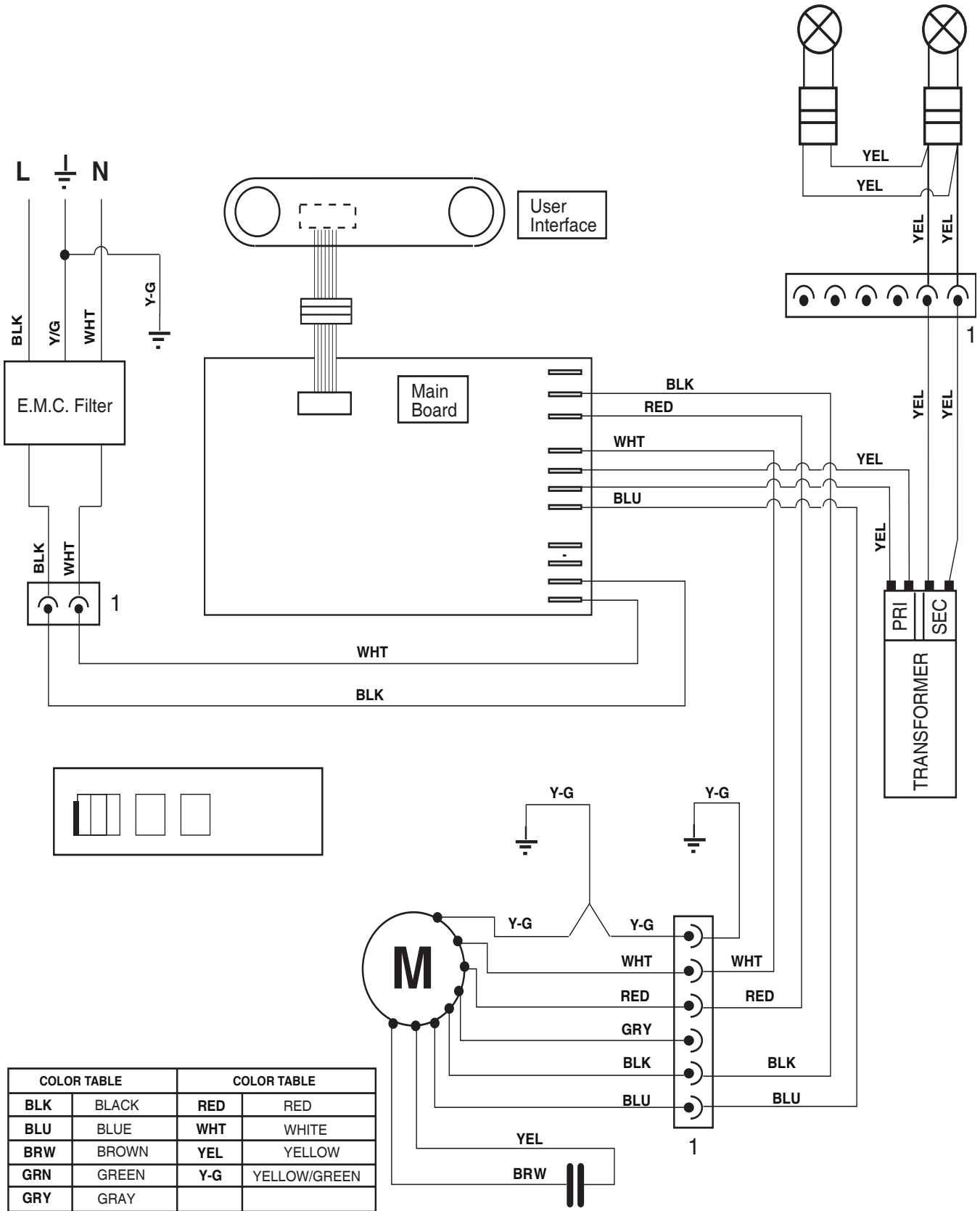
Models: IHW6302VM, IHW6362VM

DESIGNER HOOD WIRING DIAGRAM



Models: IHW7243VS, IHW7303VS

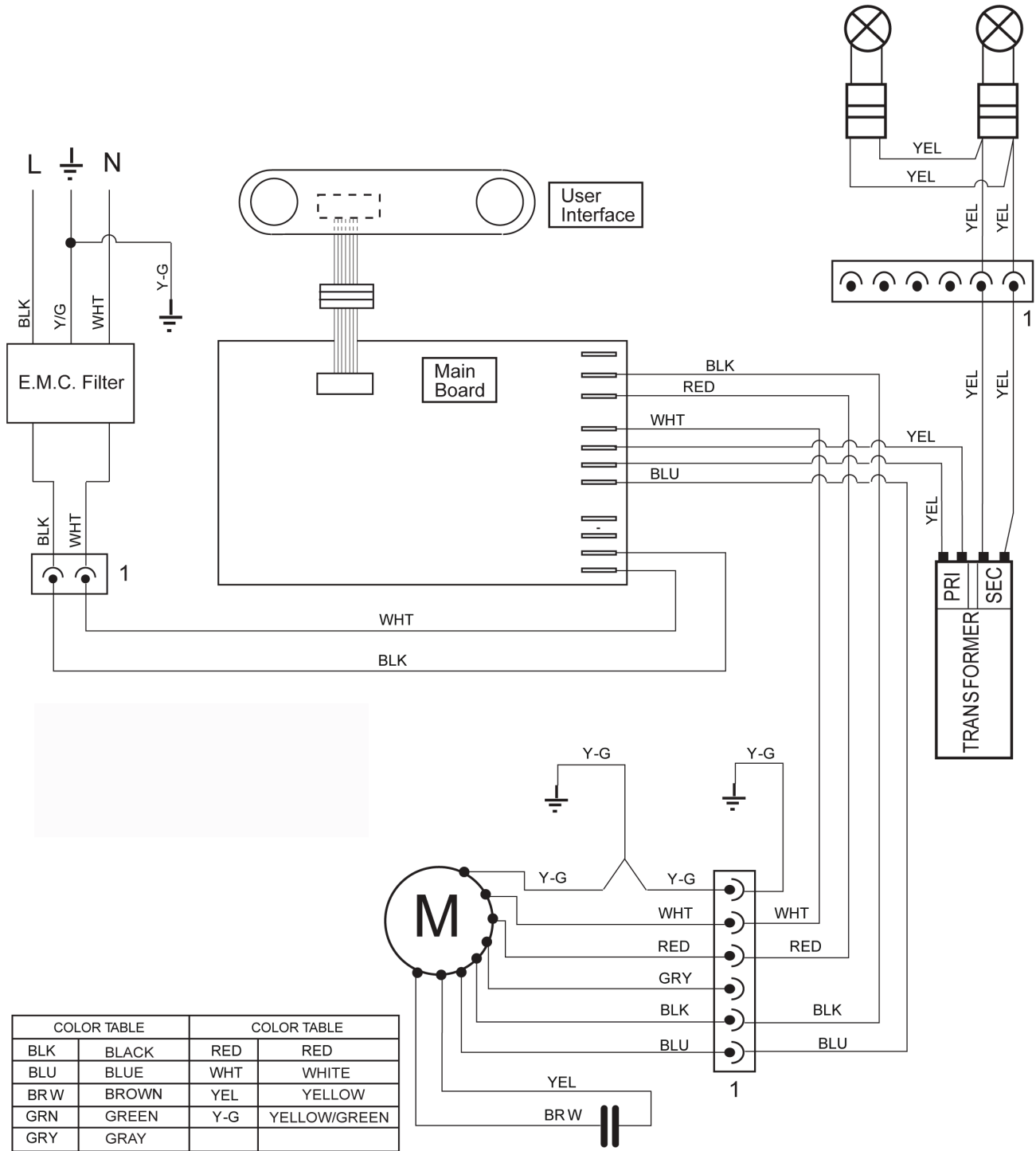
DESIGNER HOOD WIRING DIAGRAM



COLOR TABLE		COLOR TABLE	
BLK	BLACK	RED	RED
BLU	BLUE	WHT	WHITE
BRW	BROWN	YEL	YELLOW
GRN	GREEN	Y-G	YELLOW/GREEN
GRY	GRAY		

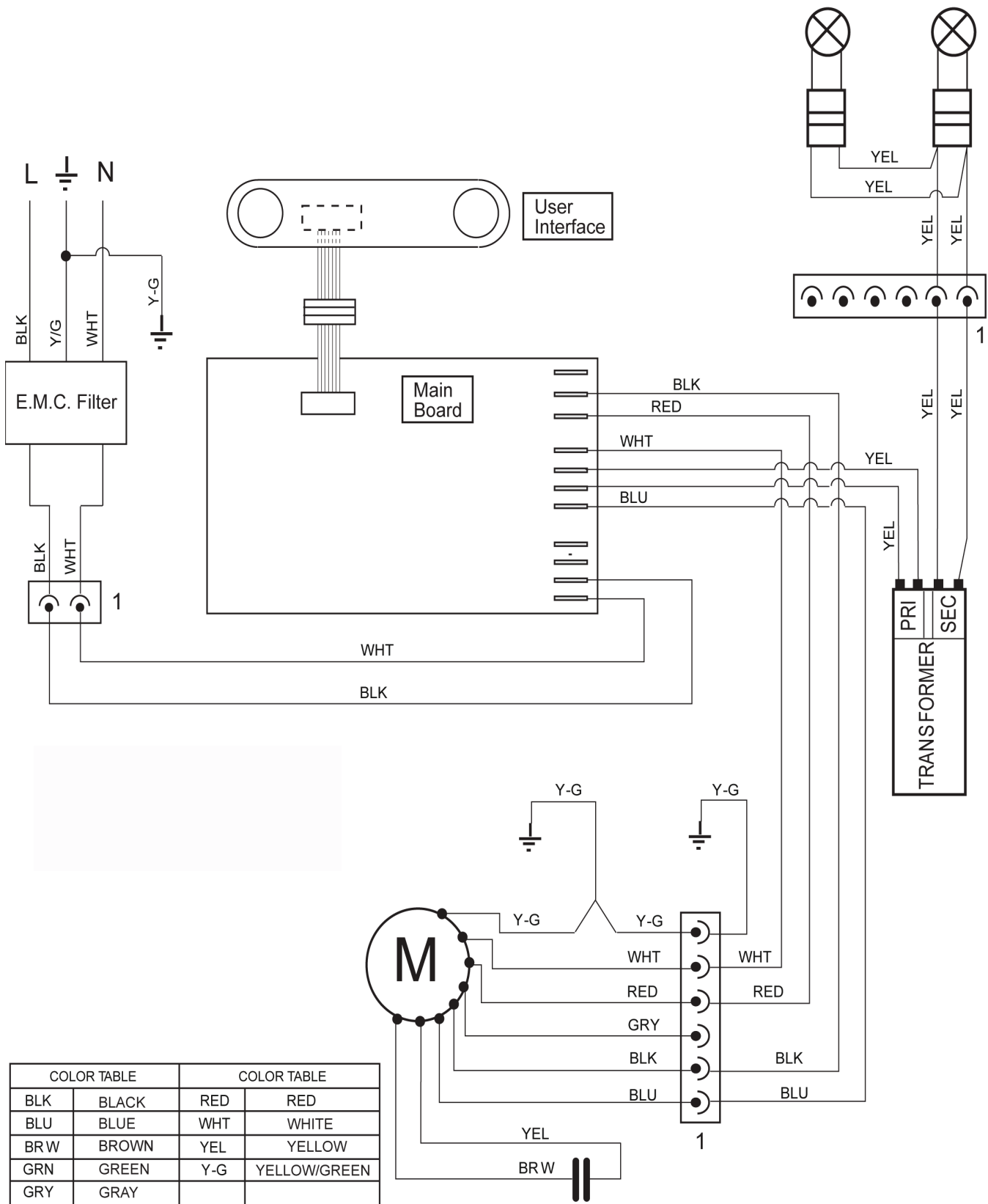
Model: IH8303VS

DESIGNER HOOD WIRING DIAGRAM



Model: IHI8304VS

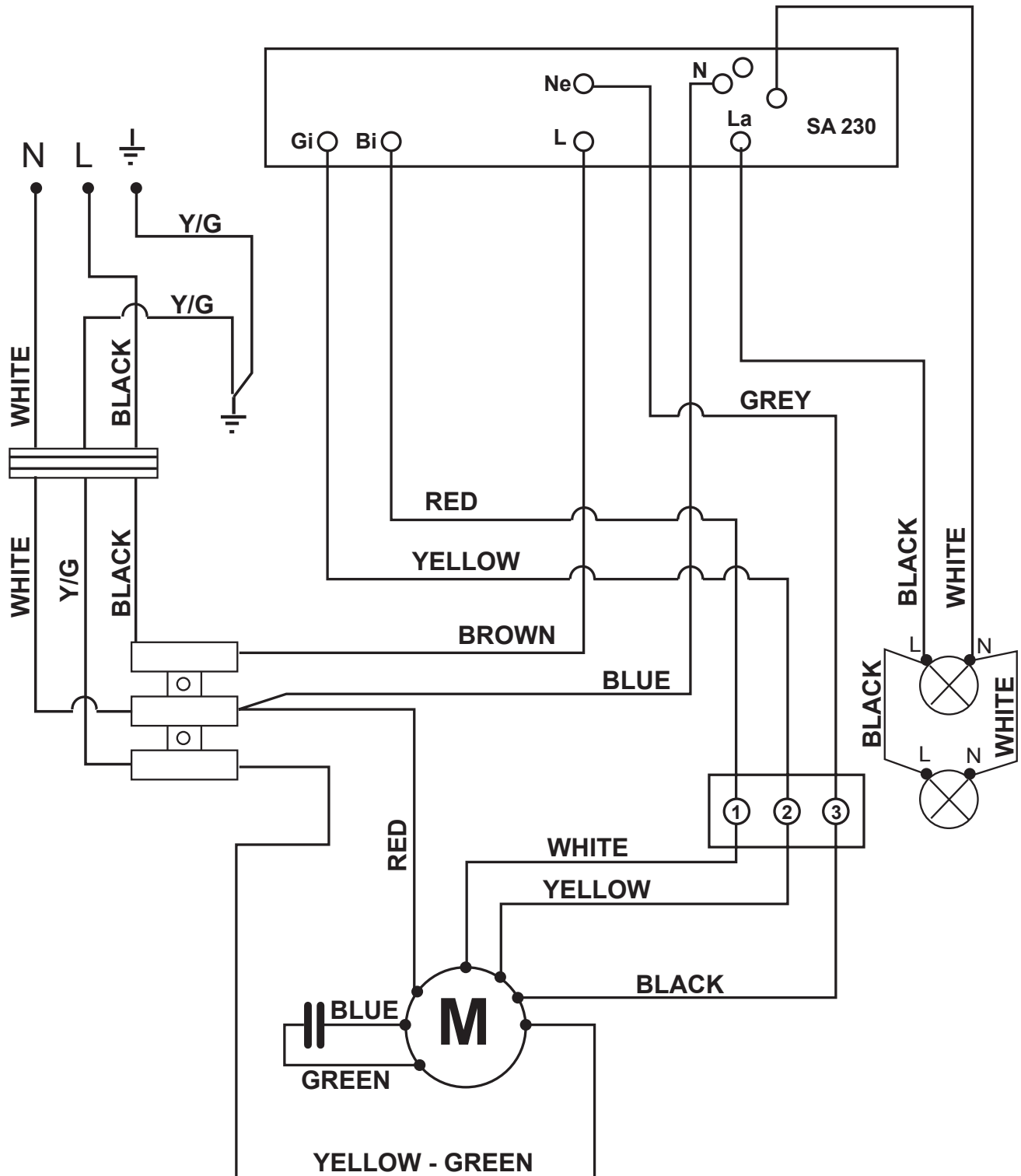
DESIGNER HOOD WIRING DIAGRAM



COLOR TABLE		COLOR TABLE	
BLK	BLACK	RED	RED
BLU	BLUE	WHT	WHITE
BRW	BROWN	YEL	YELLOW
GRN	GREEN	Y-G	YELLOW/GREEN
GRY	GRAY		

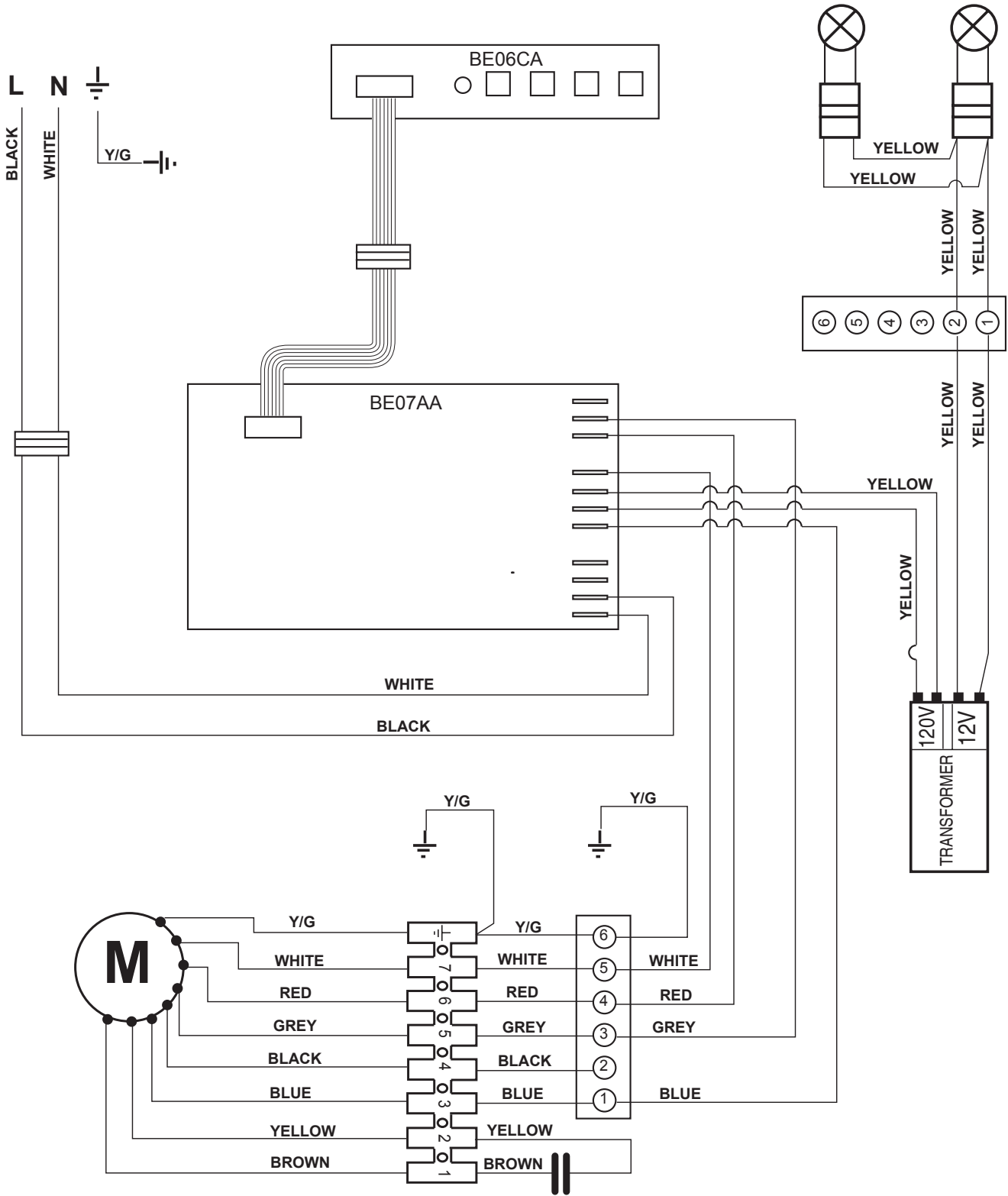
Model: IHW8305VS

DESIGNER HOOD WIRING DIAGRAM



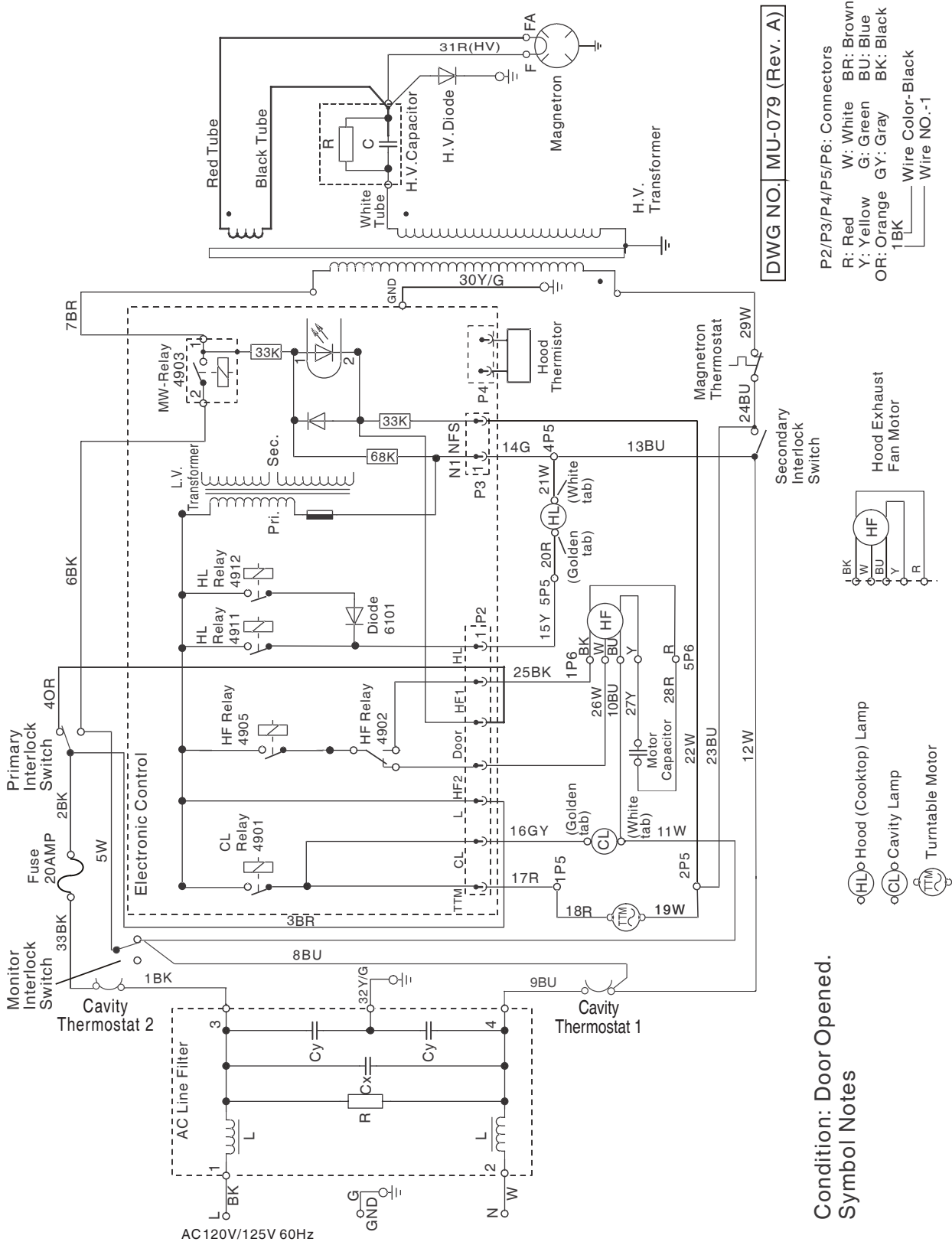
Model: IH7302RS

DESIGNER HOOD WIRING DIAGRAM



Model: IH8362RS

MICROWAVE HOOD WIRING DIAGRAM



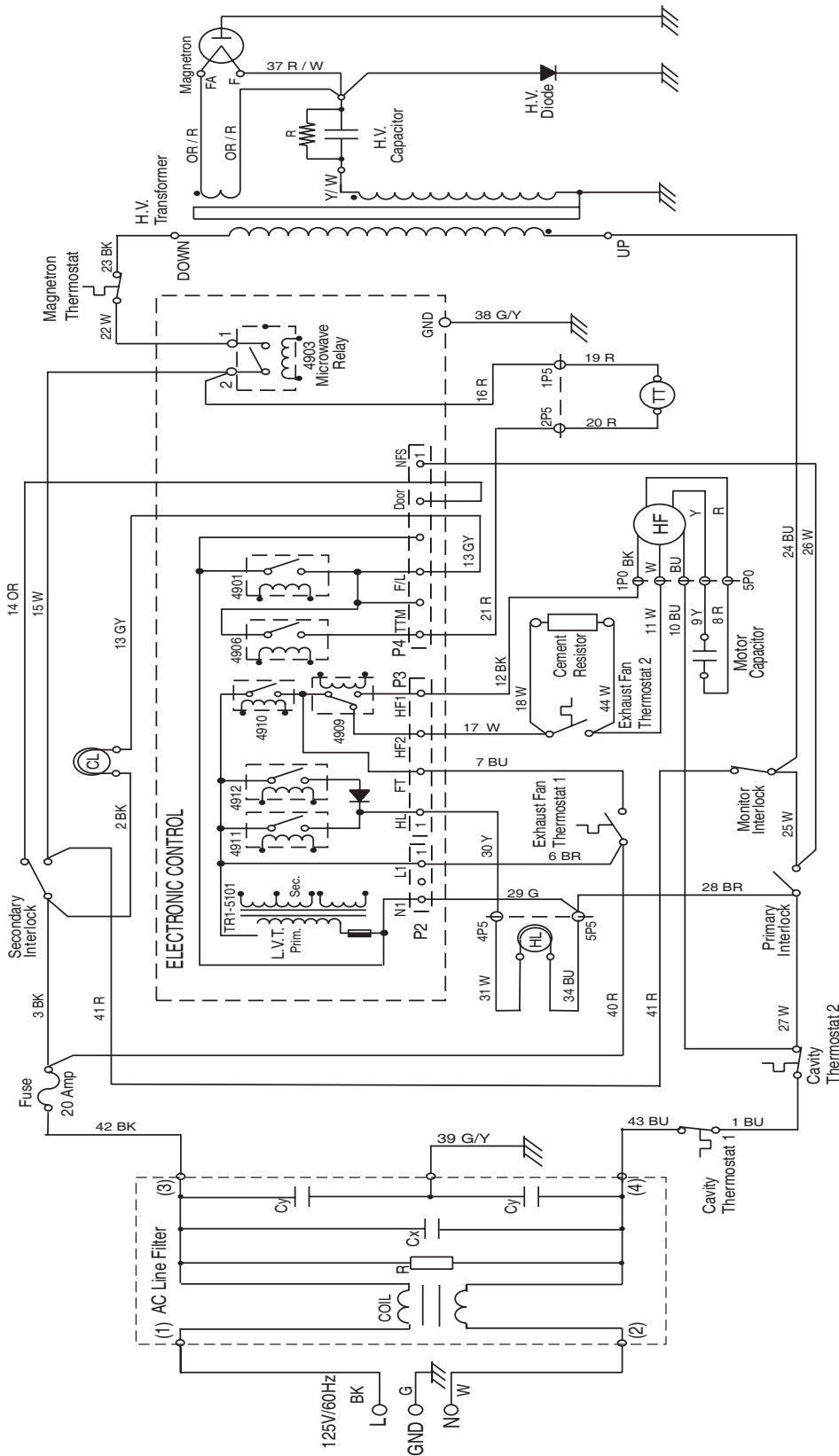
DWG NO. MU-079 (Rev. A)

P2/P3/P4/P5/P6: Connectors
 R: Red W: White BR: Brown
 Y: Yellow G: Green BU: Blue
 OR: Orange GY: Gray BK: Black
 1BK Wire Color-Black
 Wire NO.-1

Condition: Door Opened.
Symbol Notes
 HL Hood (Cooktop) Lamp
 CL Cavity Lamp
 TTM Turntable Motor

Models: IMH16XSS, IMH16XSQ

MICROWAVE HOOD WIRING DIAGRAM

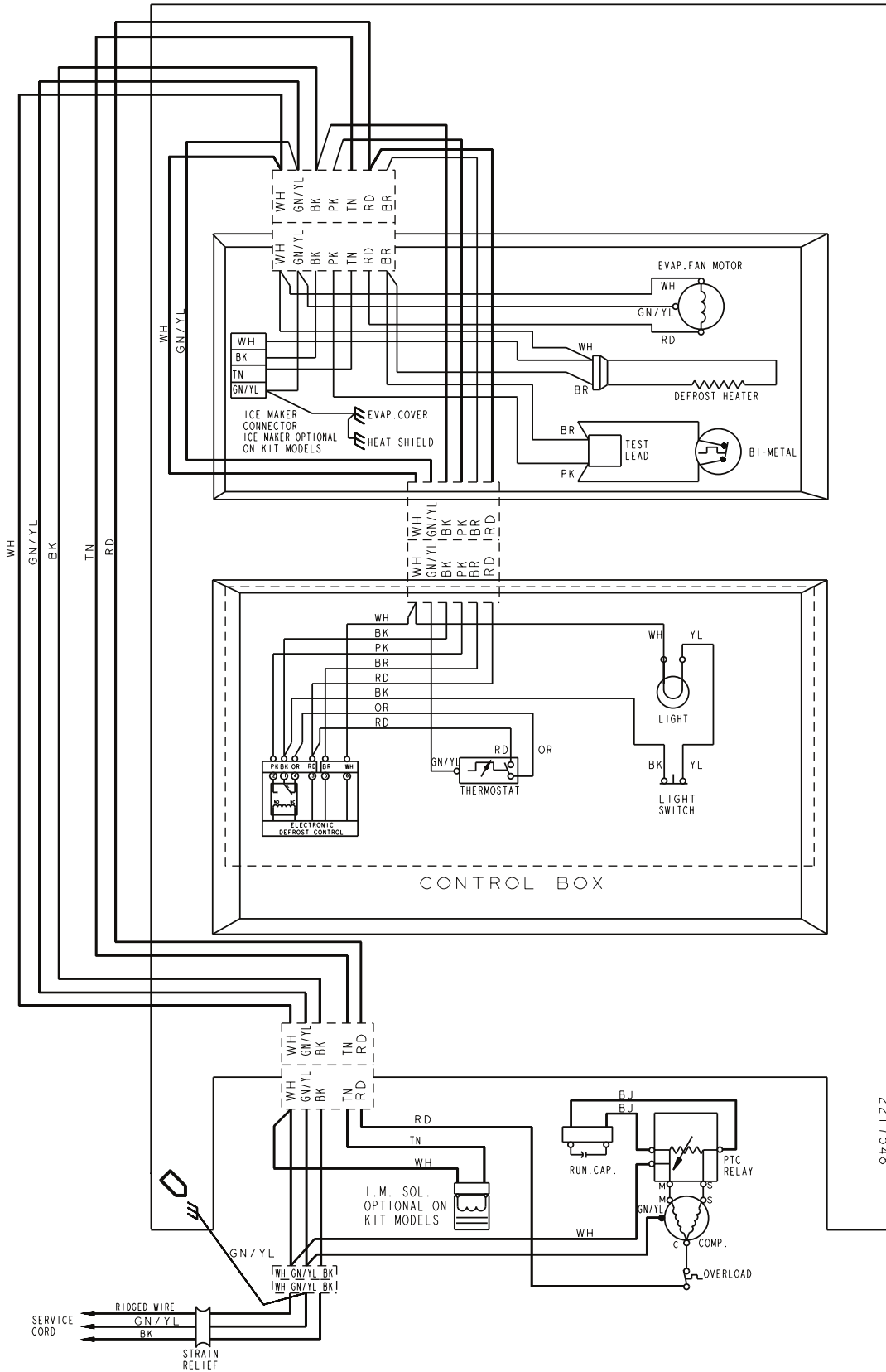


DWG NO. MU-073 (Rev. B)

- CONDITION: DOOR OPENED
- SYMBOL NOTES
- HOOD LAMP (COOKTOP LAMP)
 - CAVITY LAMP
 - TURNTABLE MOTOR
 - HOOD EXHAUST FAN MOTOR
- P0/P2/P3/P4/P5: CONNECTORS
- BK: BLACK
 - BU: BLUE
 - BR: BROWN
 - W: WHITE
 - G: GREEN
 - Y: YELLOW
 - R: RED
 - OR: ORANGE
 - GY: GRAY
- 1 BU WIRE COLOR - BLUE
WIRE NO. - 1

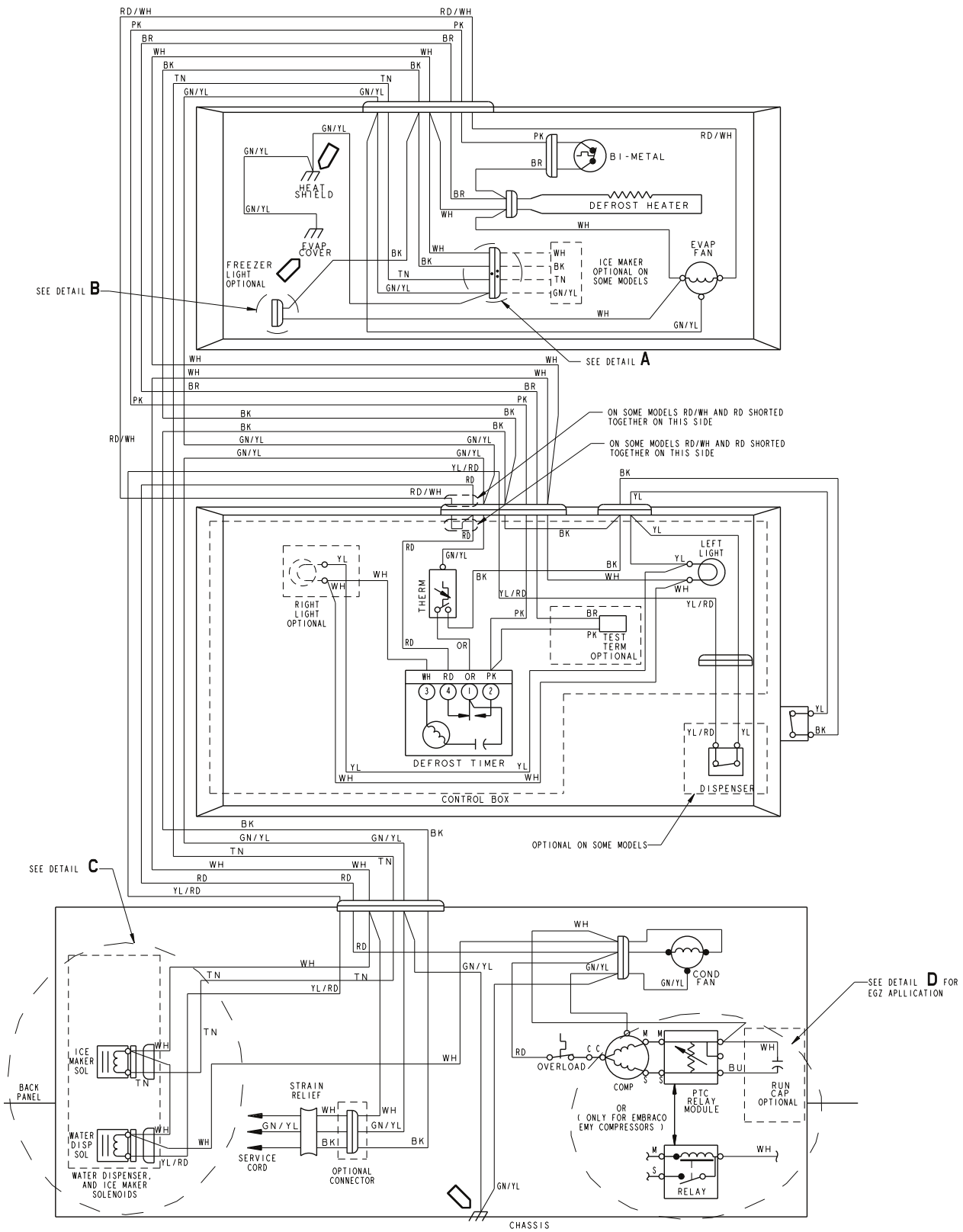
Models: IMH15XRS, IMH15XRQ

TOP MOUNT REFRIGERATOR WIRING DIAGRAM



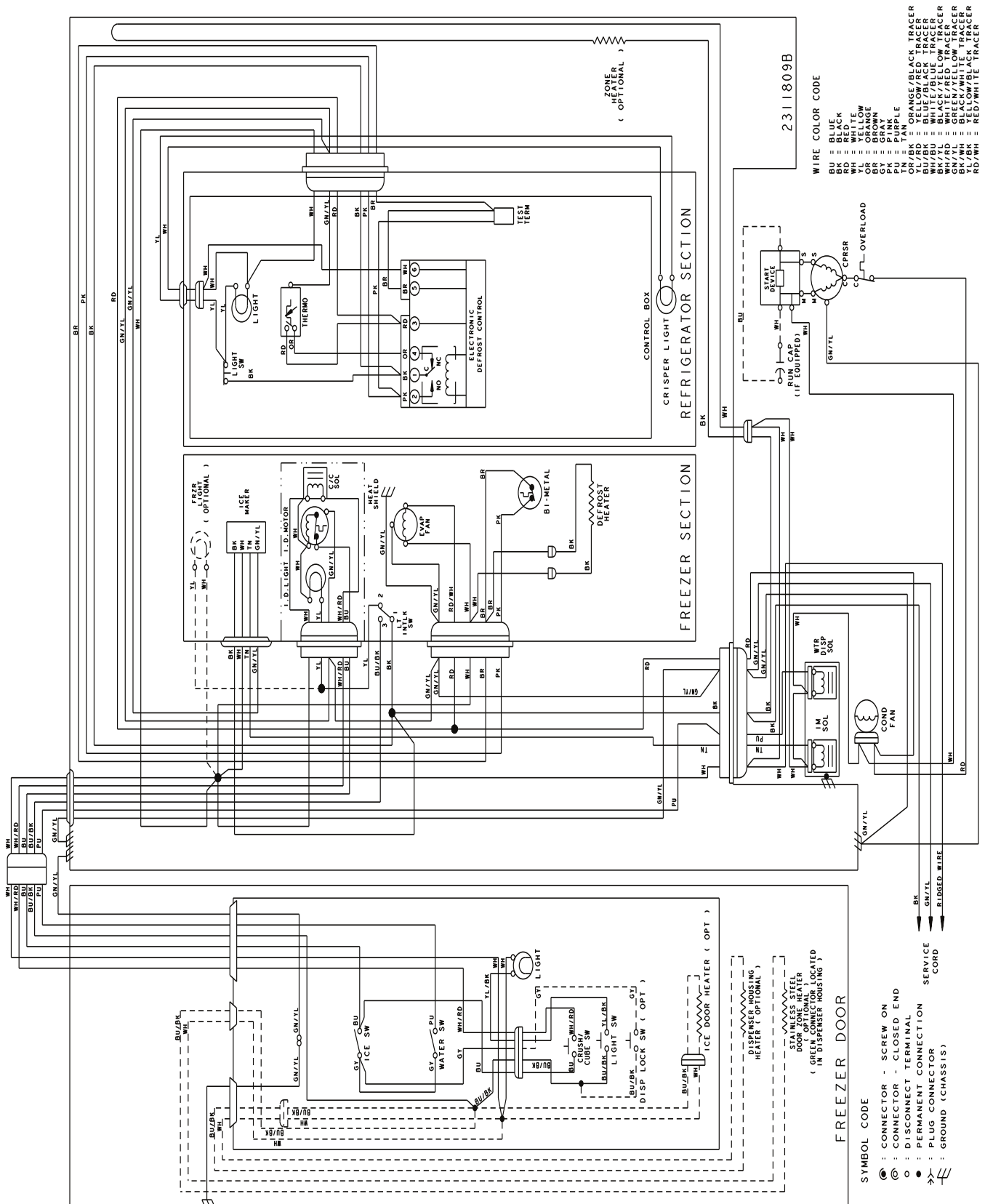
Models: IT8WSKXRW, IR8GSMXRW, IR8GSMXRS

TOP MOUNT REFRIGERATOR WIRING DIAGRAM



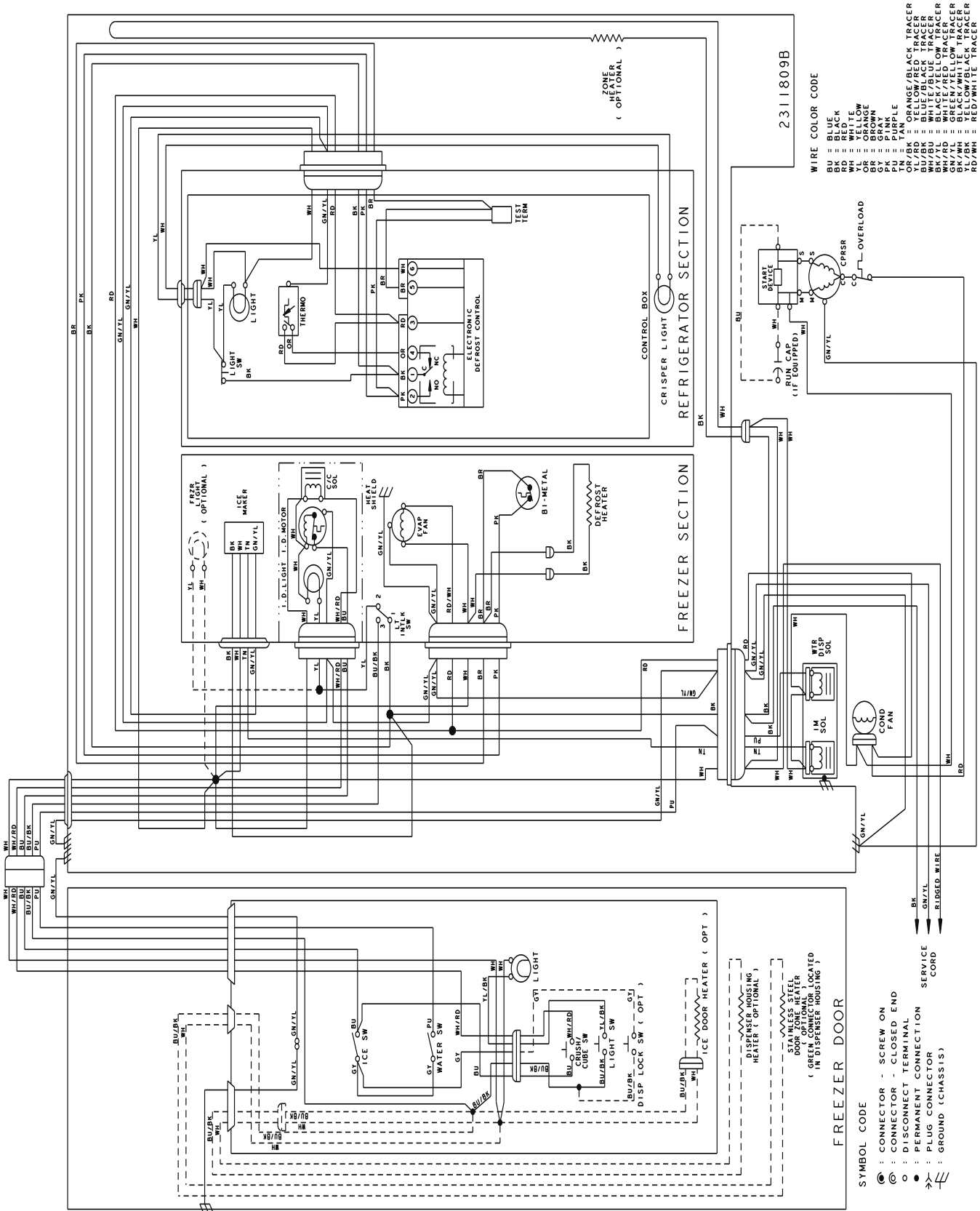
Model: IR2MHMXRS

SIDE BY SIDE REFRIGERATOR WIRING DIAGRAM

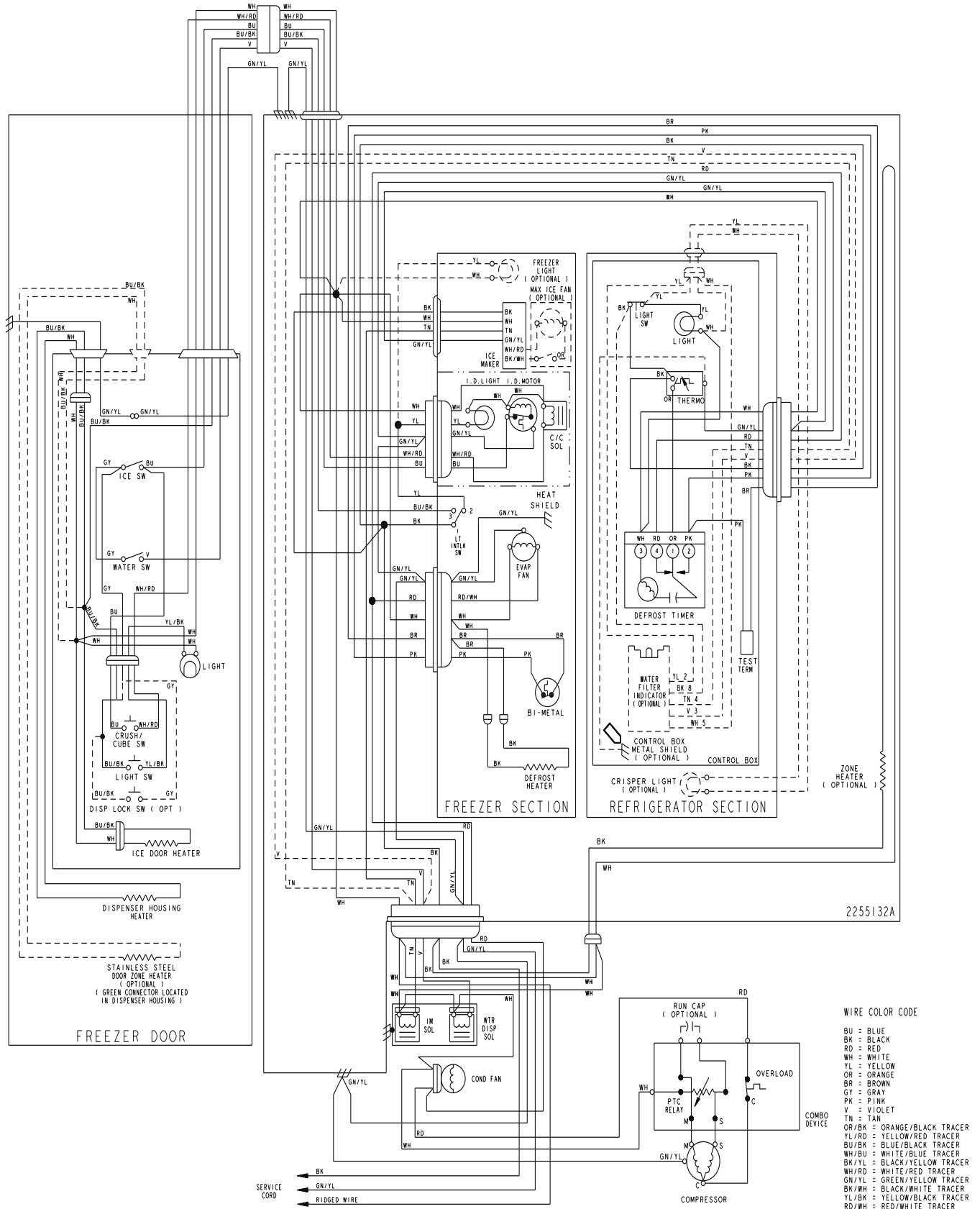


Model: ID2HHEXTS

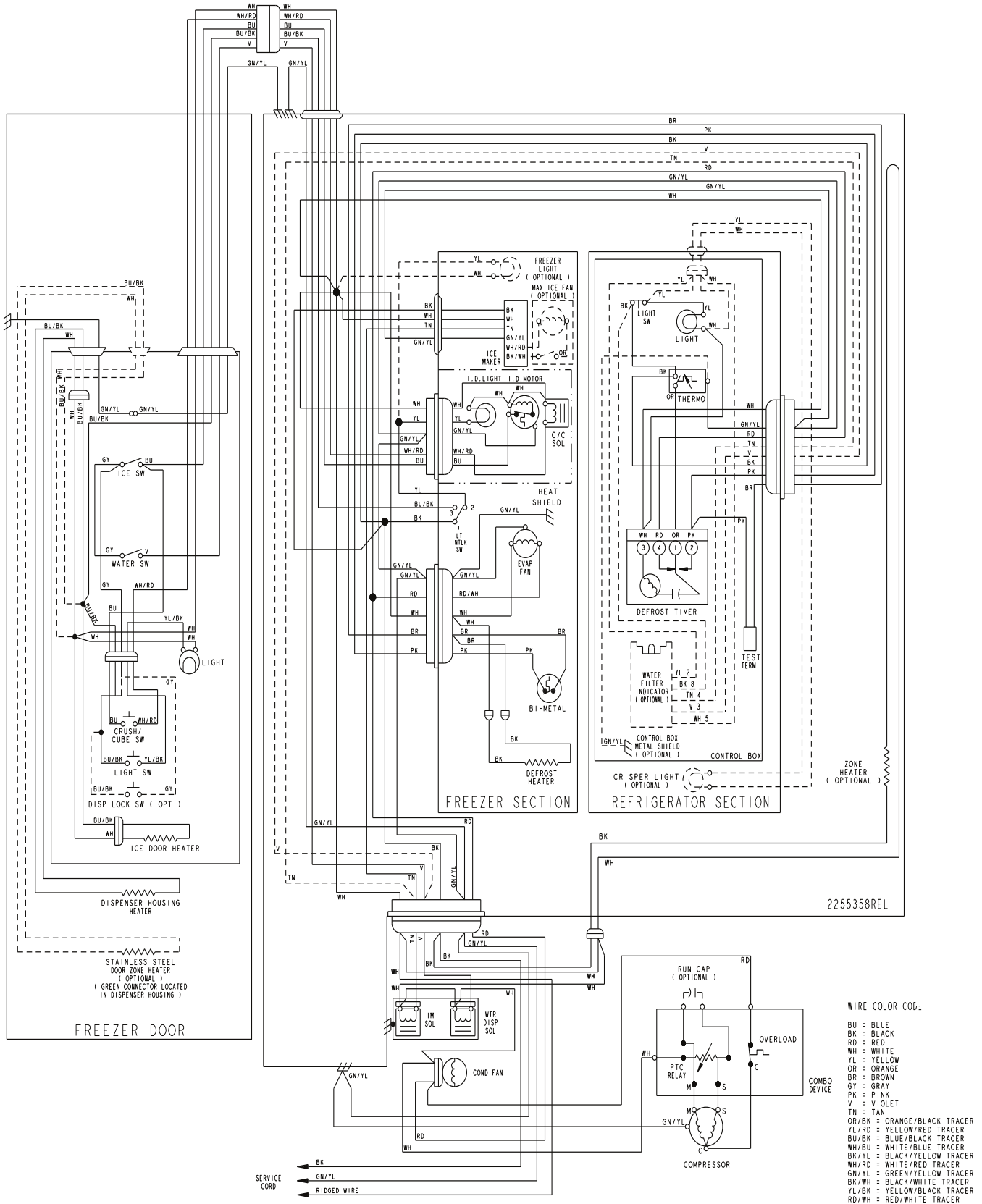
SIDE BY SIDE REFRIGERATOR WIRING DIAGRAM



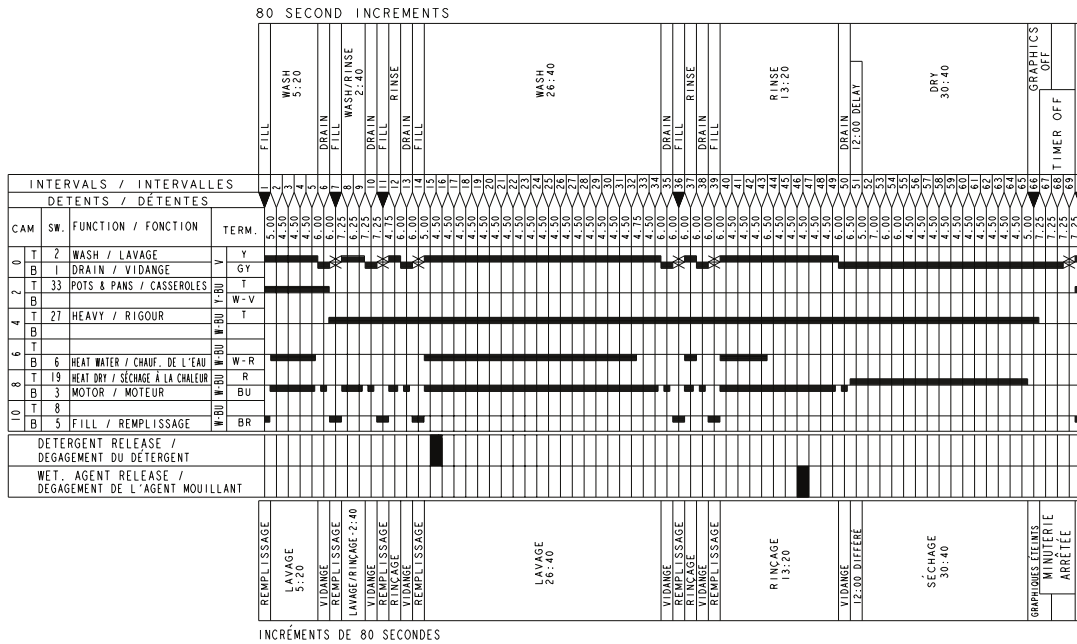
SIDE BY SIDE REFRIGERATOR WIRING DIAGRAM



SIDE BY SIDE REFRIGERATOR WIRING DIAGRAM

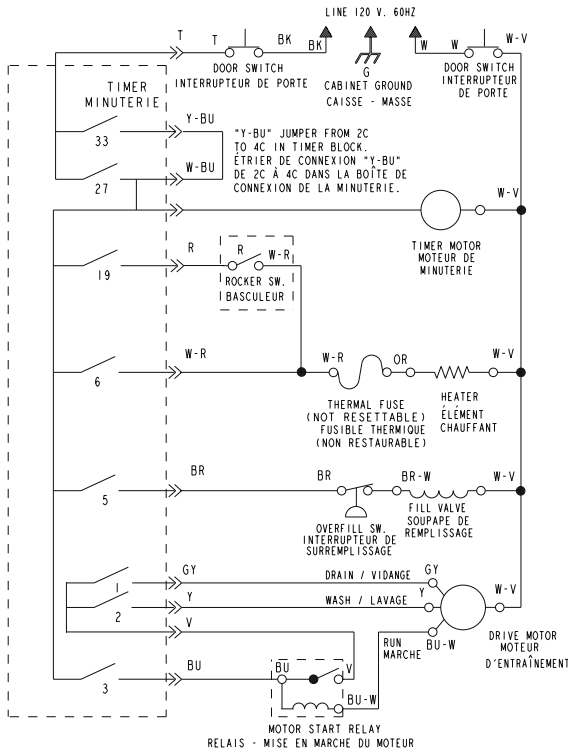


DISHWASHER WIRING DIAGRAM



SCHEMATIC SHOWN WITH DOOR SWITCH CLOSED. ALL TIMER CONTACTS OPEN.
SCHEMAS ILLUSTRÉS AVEC INTERRUPTEUR DE PORTE FERMÉ, TOUS CONTACTS DE MINUTERIE OUVERTS.

WIRE COLORS / COULEUR DE FIL					
W	WHITE	BLANC	BK	BLACK	NOIR
BU	BLUE	BLEU	T	TAN	TAN
LBU	LIGHT BLUE	BLEU PÂLE	O, OR	ORANGE	ORANGE
BR	BROWN	MARRON	P	PINK	ROSE
GY	GRAY	GRIS	R	RED	ROUGE
Y	YELLOW	JAUNE	V	VIOLET	VIOLET



MANUFACTURED UNDER ONE OR MORE OF THE FOLLOWING UNITED STATES PATENTS:

4,319,598	4,319,599	4,350,306	4,418,868	4,449,765
4,559,959	4,693,526	4,732,323	4,732,431	4,746,177
4,753,570	4,758,057	4,765,697	4,776,620	4,802,934
4,805,647	4,822,241	4,834,125	4,848,382	4,927,033
4,991,611	5,005,740	5,018,550	5,031,649	5,031,651
5,033,659	5,039,828	5,069,360	5,158,346	5,165,433
5,165,435	5,202,582	5,330,102	5,474,378	5,637,938
5,881,906	5,882,739	5,900,070	6,045,203	6,045,205

DES314,256 DES320,489 DES391,696 DES393,333

OTHER PATENTS PENDING

MANUFACTURED UNDER ONE OR MORE OF THE FOLLOWING CANADIAN PATENTS:
FABRIQUÉ SOUS UN OU PLUSIEURS DES BREVETS CANADIENS SUIVANTS:

1,278,461	1,288,666	1,288,667	1,288,688	2,001,663
2,017,386	2,022,831	2,033,506	2,049,828	2,053,752
2,058,213	2,075,251	2,115,475	DES67168	

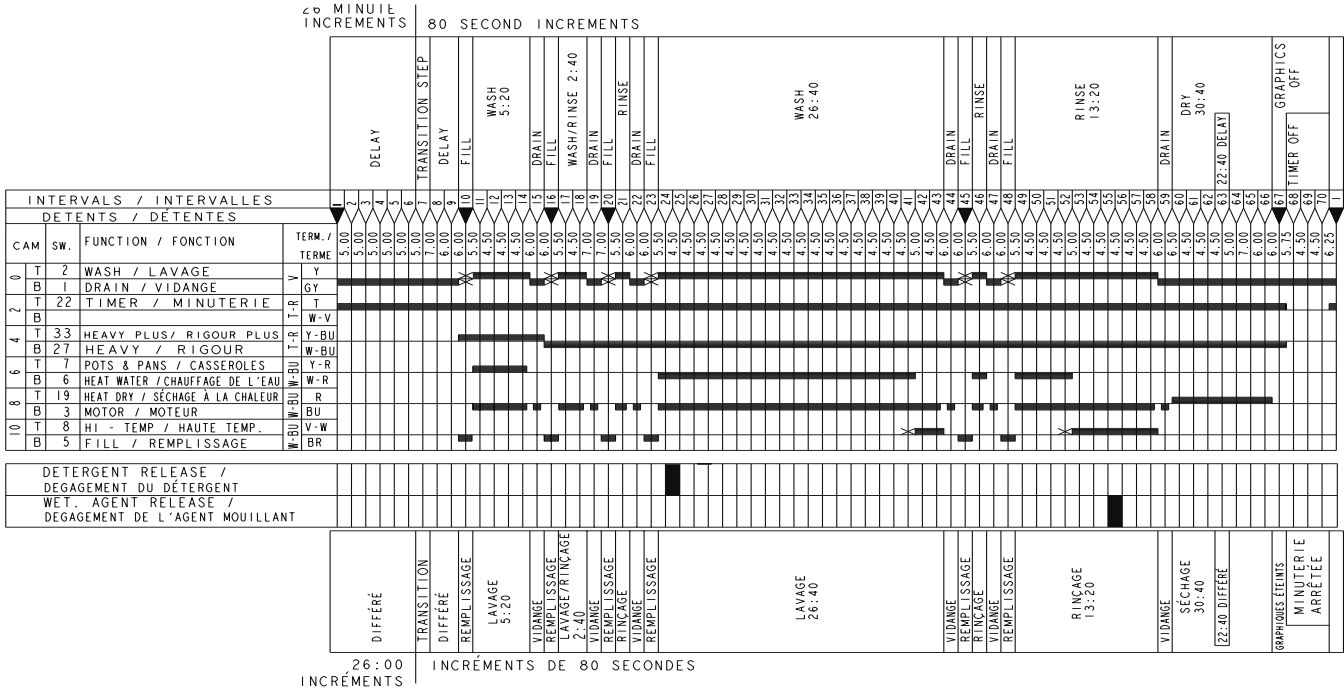
OTHER PATENTS PENDING
AUTRES BREVETS EN INSTANCE

PART NO. 3385496
PIÈCE N°

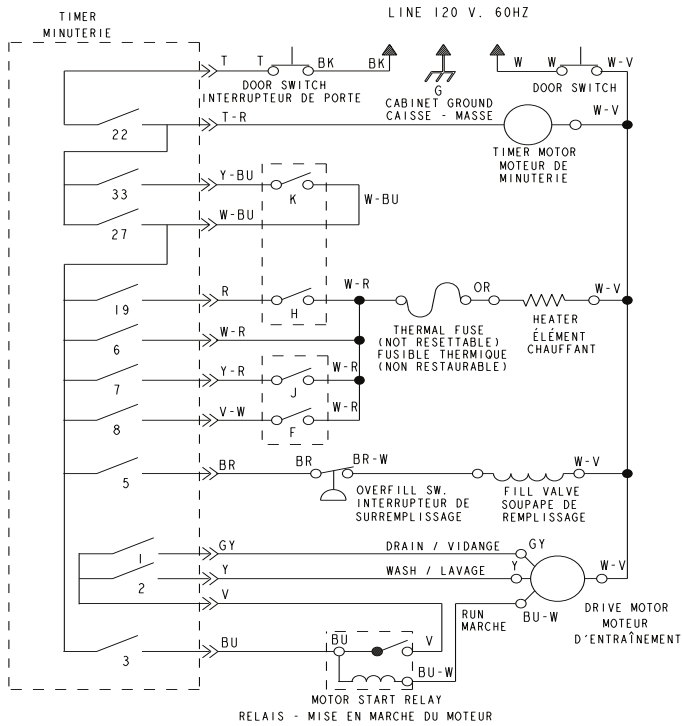
DISHWASHER WIRING DIAGRAM
SCHEMA DE CABLAGE DU LAVE - VAISSELLE

Model: IUD4000RQ

DISHWASHER WIRING DIAGRAM



SCHEMATIC SHOWN WITH DOOR SWITCH CLOSED, ALL TIMER CONTACTS OPEN.
SCHEMAS ILLUSTRÉS AVEC INTERRUPTEUR DE PORTE FERMÉ, TOUS CONTACTS DE MINUTERIE OUVERTS.



WIRE COLORS / COULEUR DE FIL					
W	WHITE	BLANC	BK	BLACK	NOIR
BU	BLUE	BLEU	T	TAN	TAN
LBU	LIGHT BLUE	BLEU PÂLE	O, OR	ORANGE	ORANGE
BR	BROWN	MARRON	P	PINK	ROSE
GY	GRAY	GRIS	R	RED	ROUGE
Y	YELLOW	JAUNE	V	VIOLET	VIOLET

MANUFACTURED UNDER ONE OR MORE OF THE FOLLOWING UNITED STATES PATENTS:

4,319,598	4,319,599	4,350,306	4,418,868	4,449,765
4,559,959	4,693,526	4,732,323	4,732,431	4,746,177
4,753,570	4,758,057	4,765,697	4,776,620	4,802,934
4,805,647	4,822,241	4,834,125	4,848,382	4,927,033
4,991,611	5,005,740	5,018,550	5,031,649	5,031,651
5,033,659	5,039,828	5,069,360	5,158,346	5,165,433
5,165,435	5,202,582	5,330,102	5,474,378	5,637,938
5,881,906	5,882,739	5,900,070	6,045,203	6,045,205

DES314,256 DES320,489 DES391,696 DES393,333

OTHER PATENTS PENDING

MANUFACTURED UNDER ONE OR MORE OF THE FOLLOWING CANADIAN PATENTS:

FABRIQUÉ SOUS UN OU PLUSIEURS DES BREVETS CANADIENS SUIVANTS:

1,278,461	1,288,666	1,288,667	1,288,688	2,001,663
2,017,386	2,022,831	2,033,506	2,049,828	2,053,752
2,058,213	2,075,251	2,115,475	DES67168	

OTHER PATENTS PENDING
AUTRES BREVETS EN INSTANCE

PART NO. / PIÈCE N° 3385501

DISHWASHER WIRING DIAGRAM
SCHEMA DE CABLAGE DU LAVE - VAISSELLE

PUSH BUTTON / BOUTON POUSSOIR		CLOSED / FERMÉ X OPEN / OUVERT O			
		K	J	F	H
1	"NORMAL"	X	O		
2	"HEAVY"	O	O		
3	"HEAVY PLUS"	X	O		
4	"POTS & PANS"	X	X		
5					
6	"HI-TEMP WASH"			X	
7	"AIR DRY"				O
8	"RESET" OPTIONS			O	X
6&7	BOTH / DEUX OPTIONS			X	O

Models: IUD6000RQ, IUD6000RS

PRODUCT SPECIFICATIONS AND WARRANTY INFORMATION SOURCES

IN THE UNITED STATES:

FOR PRODUCT SPECIFICATIONS AND WARRANTY INFORMATION CALL:

FOR WHIRLPOOL PRODUCTS: 1-800-253-1301

FOR KITCHENAID PRODUCTS: 1-800-422-1230

FOR ROPER PRODUCTS: 1-800-447-6737

FOR TECHNICAL ASSISTANCE WHILE AT THE CUSTOMER'S HOME CALL:

THE TECHNICAL ASSISTANCE LINE: 1-800-832-7174

**HAVE YOUR STORE NUMBER READY TO IDENTIFY YOU AS AN
AUTHORIZED IN-HOME SERVICE PROFESSIONAL**

FOR LITERATURE ORDERS:

PHONE: 1-800-851-4605

FOR TECHNICAL INFORMATION AND SERVICE POINTERS:

www.servicematters.com

IN CANADA:

FOR PRODUCT SPECIFICATIONS AND WARRANTY INFORMATION CALL:

1-800-461-5681

FOR TECHNICAL ASSISTANCE WHILE AT THE CUSTOMER'S HOME CALL:

THE TECHNICAL ASSISTANCE LINE: 1-800-488-4791

**HAVE YOUR STORE NUMBER READY TO IDENTIFY YOU AS AN
AUTHORIZED IN-HOME SERVICE PROFESSIONAL**