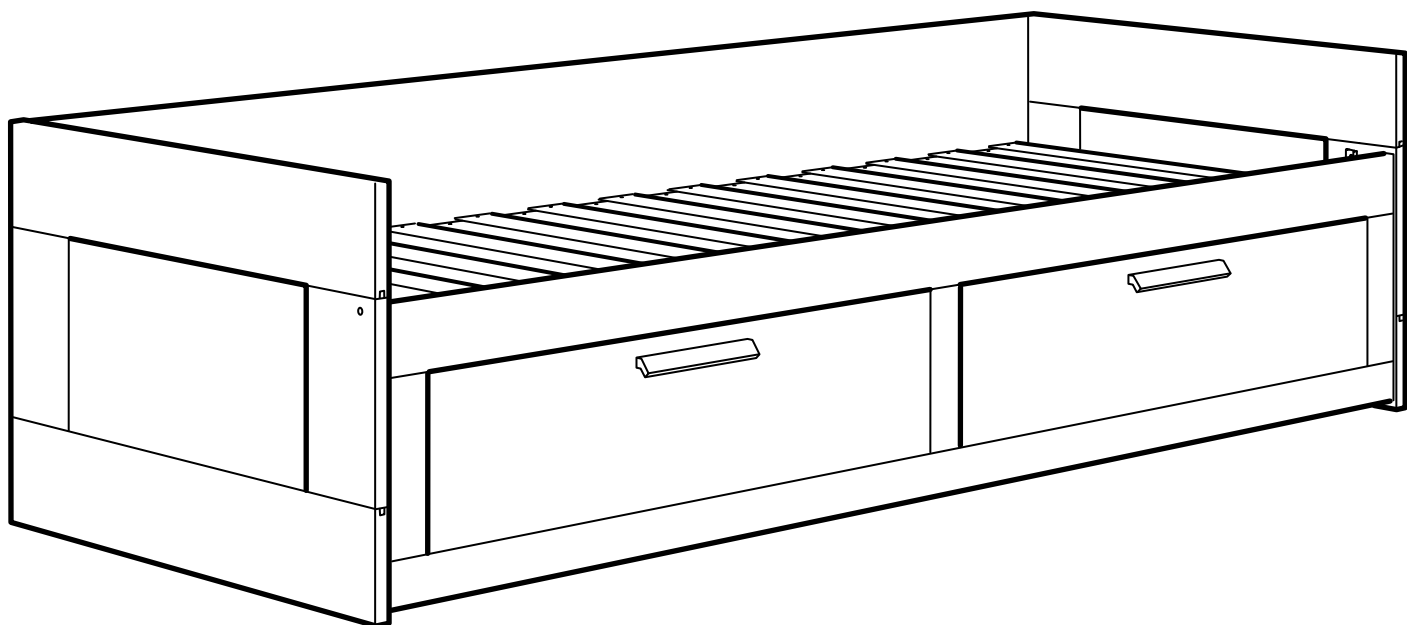
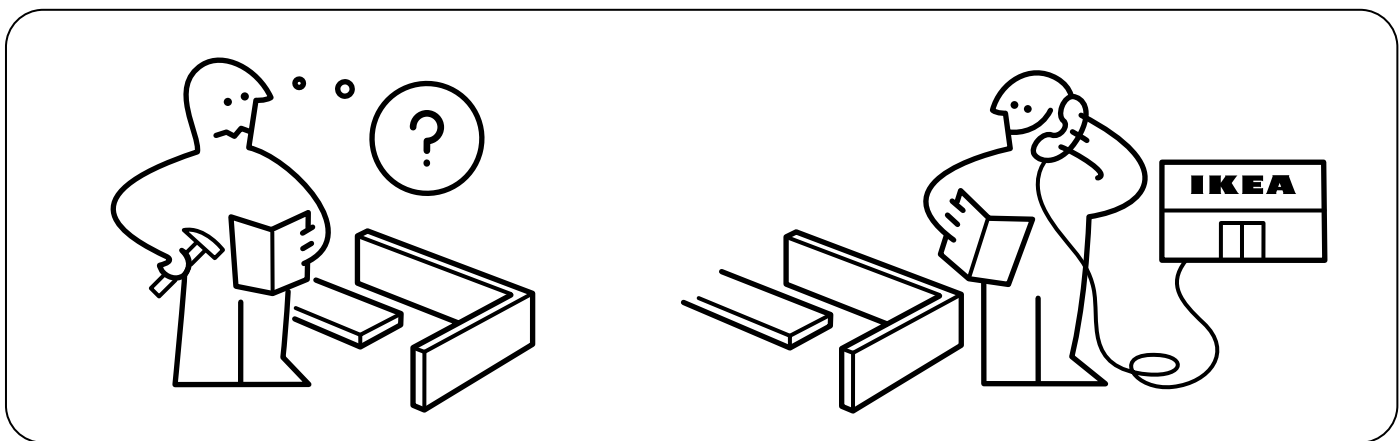
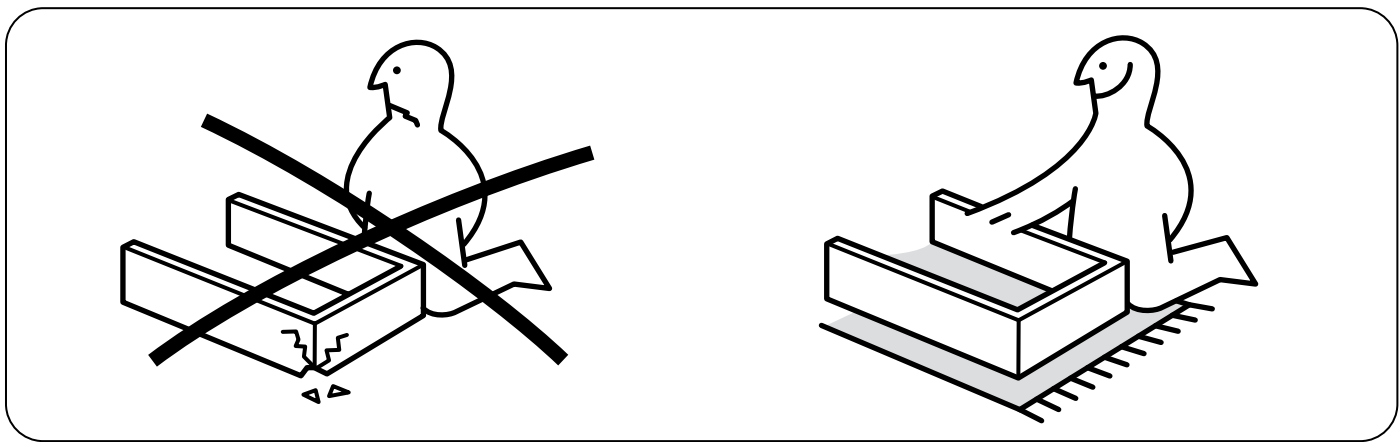
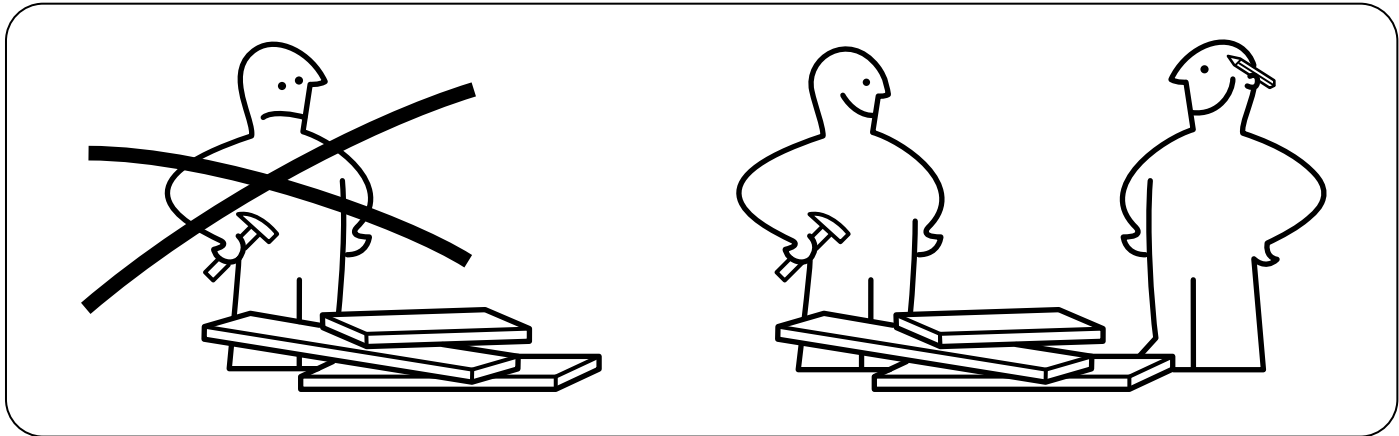
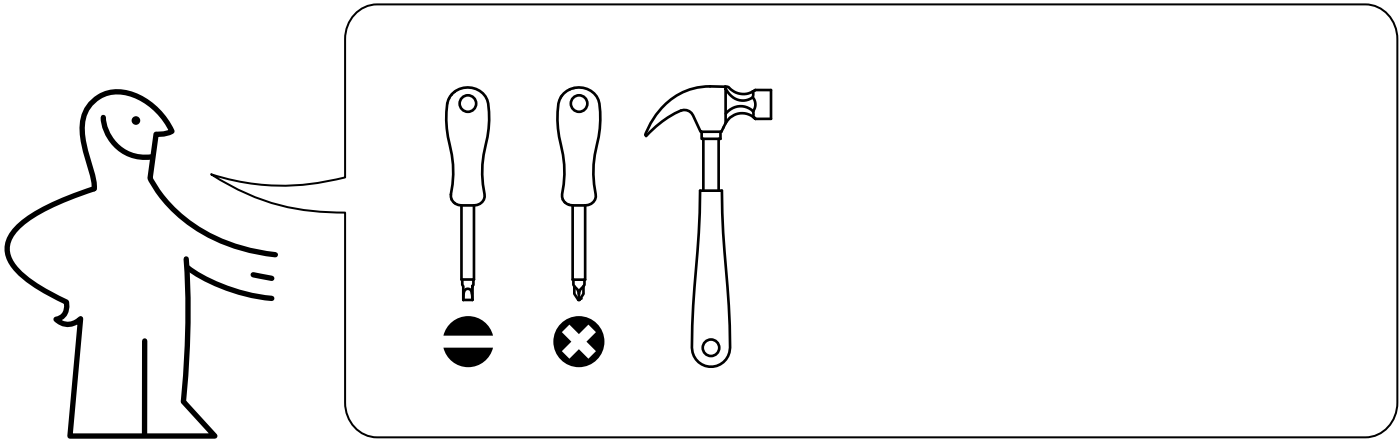
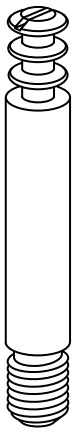


# BRIMNES



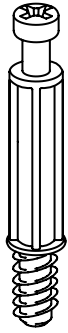
Design and Quality  
IKEA of Sweden





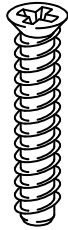
114671

4x



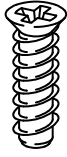
118331

22x



102138

6x



100372

10x



100365

12x



116894

47x



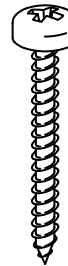
100359

4x



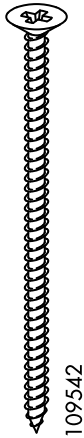
105163

2x



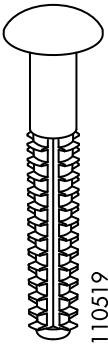
109567

16x



109542

6x



110519

8x



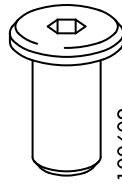
101359

4x



101345

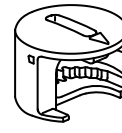
32x



100602

2x

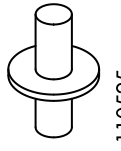
117056



119030

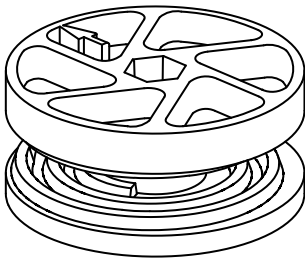
22x

118224



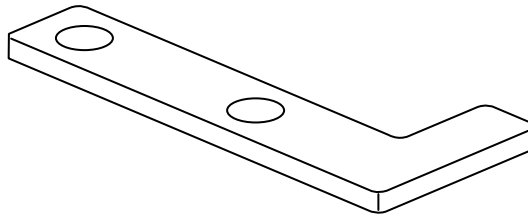
110525

29x



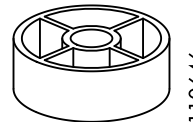
114670

4x



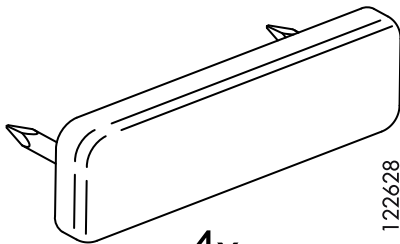
123660

2x



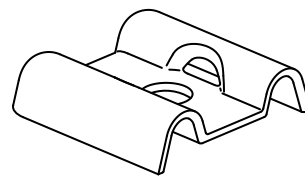
110646

6x



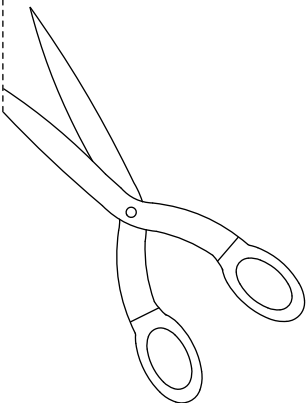
122628

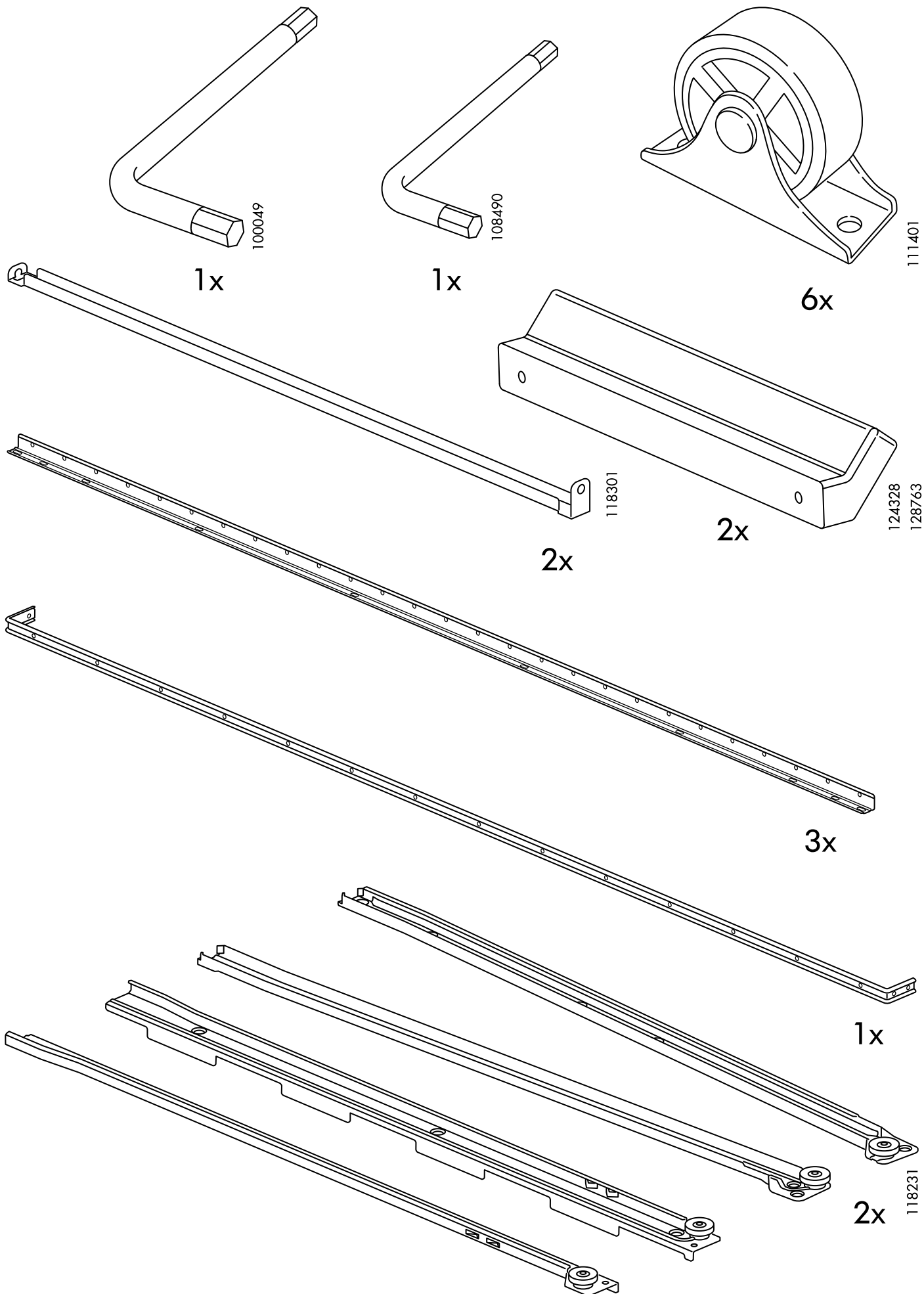
4x

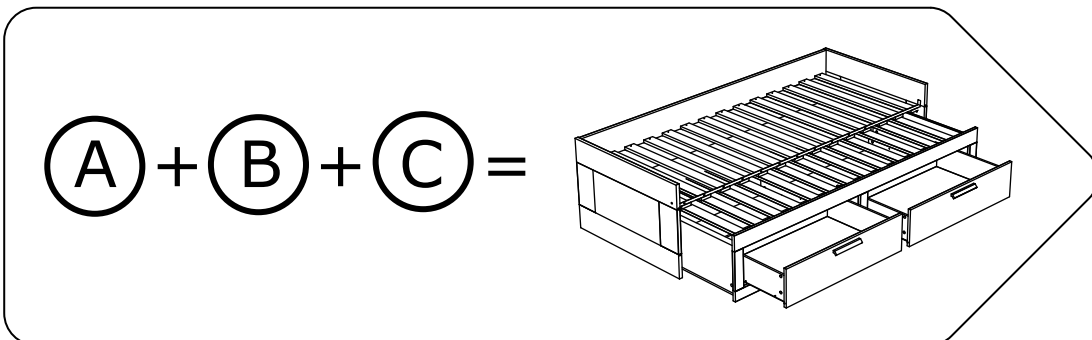
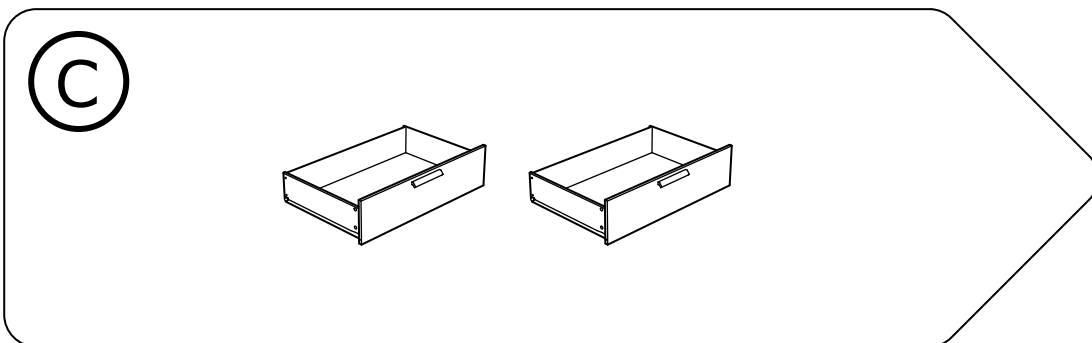
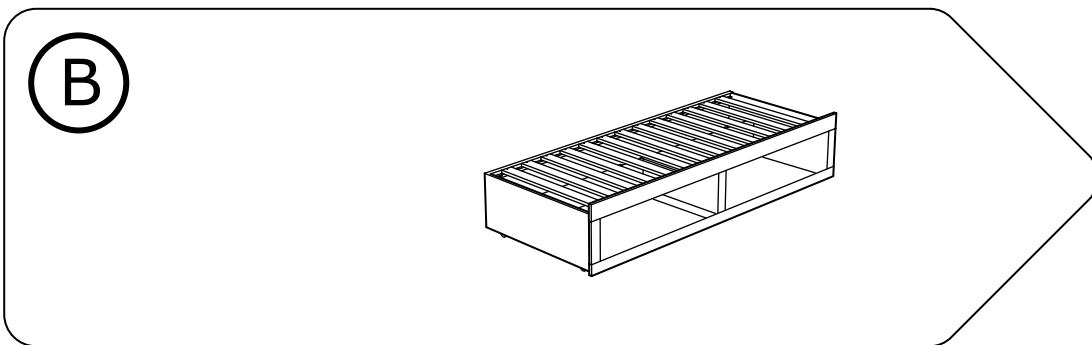
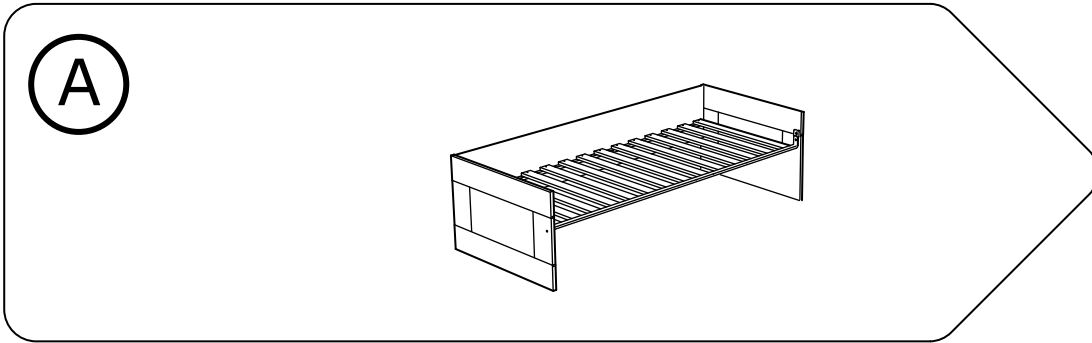
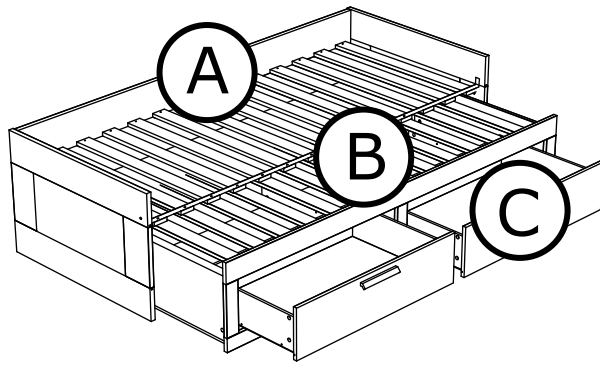


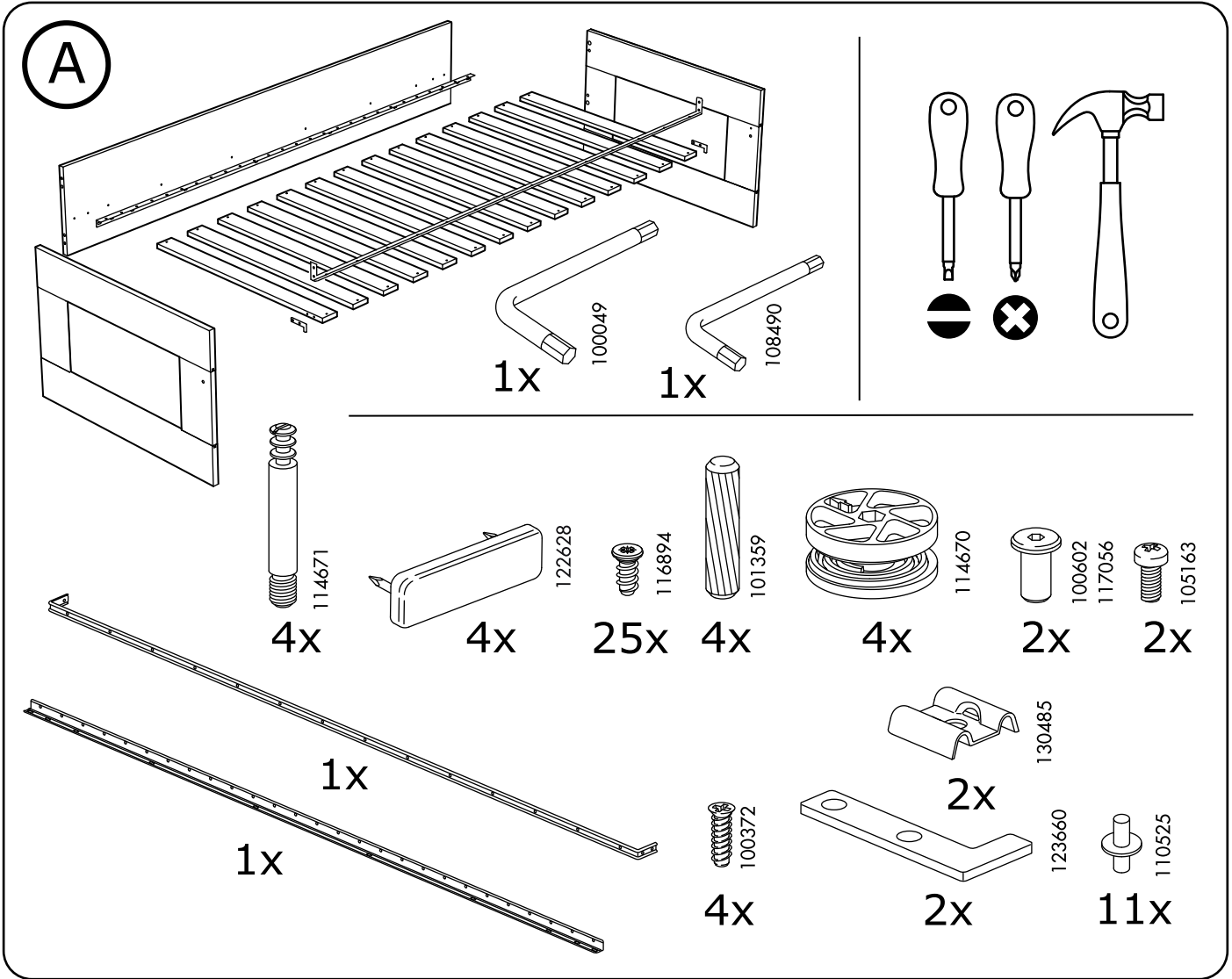
130485

2x

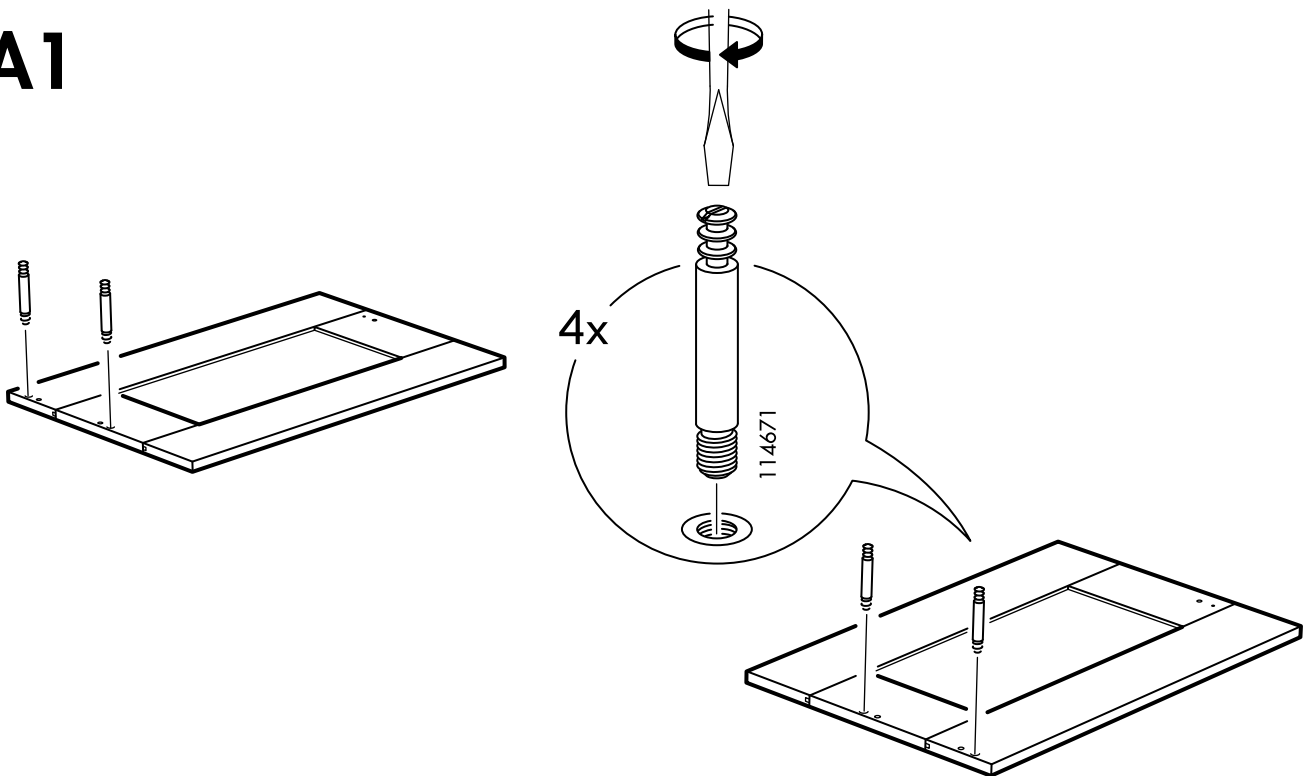




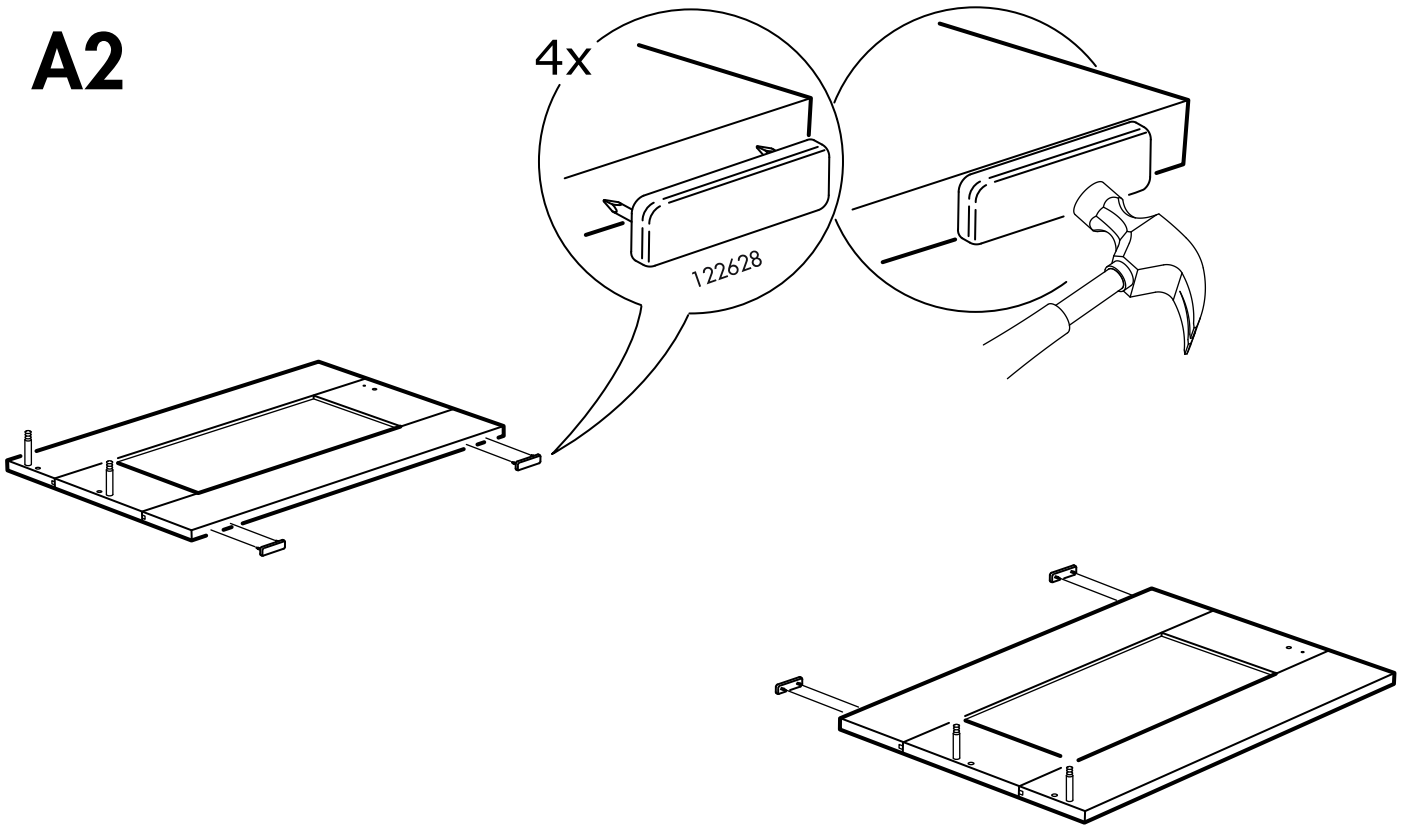




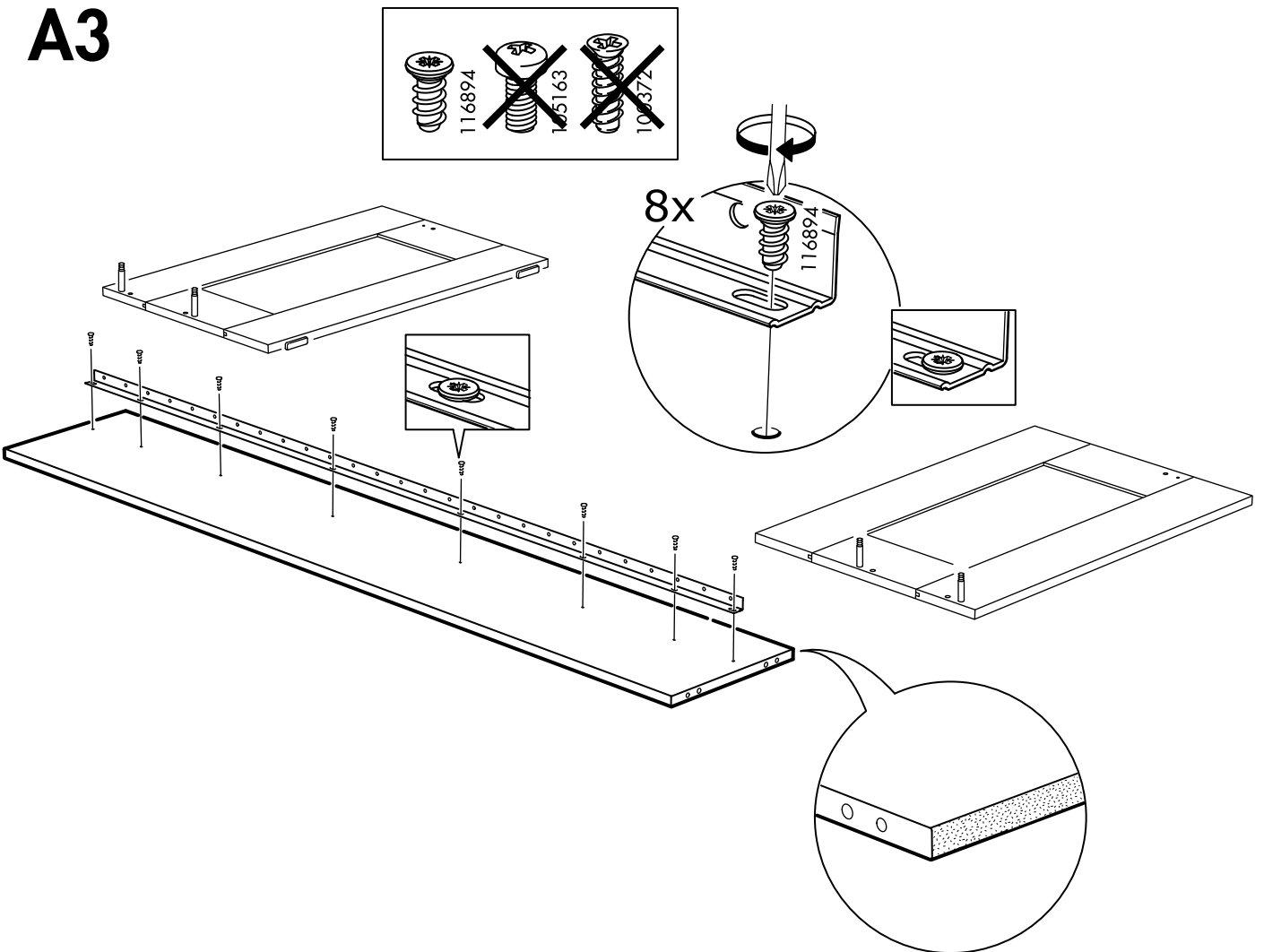
**A1**



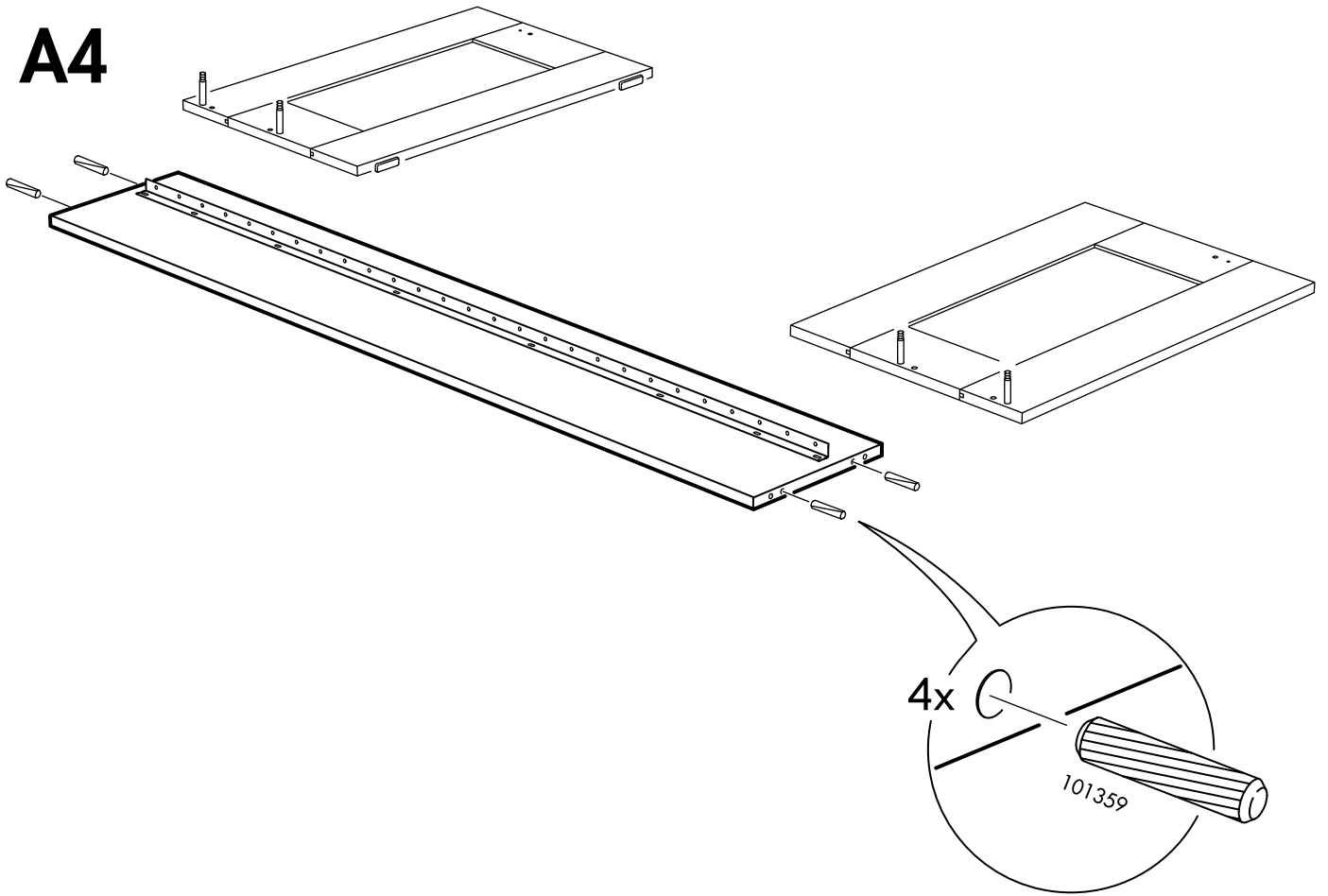
# A2



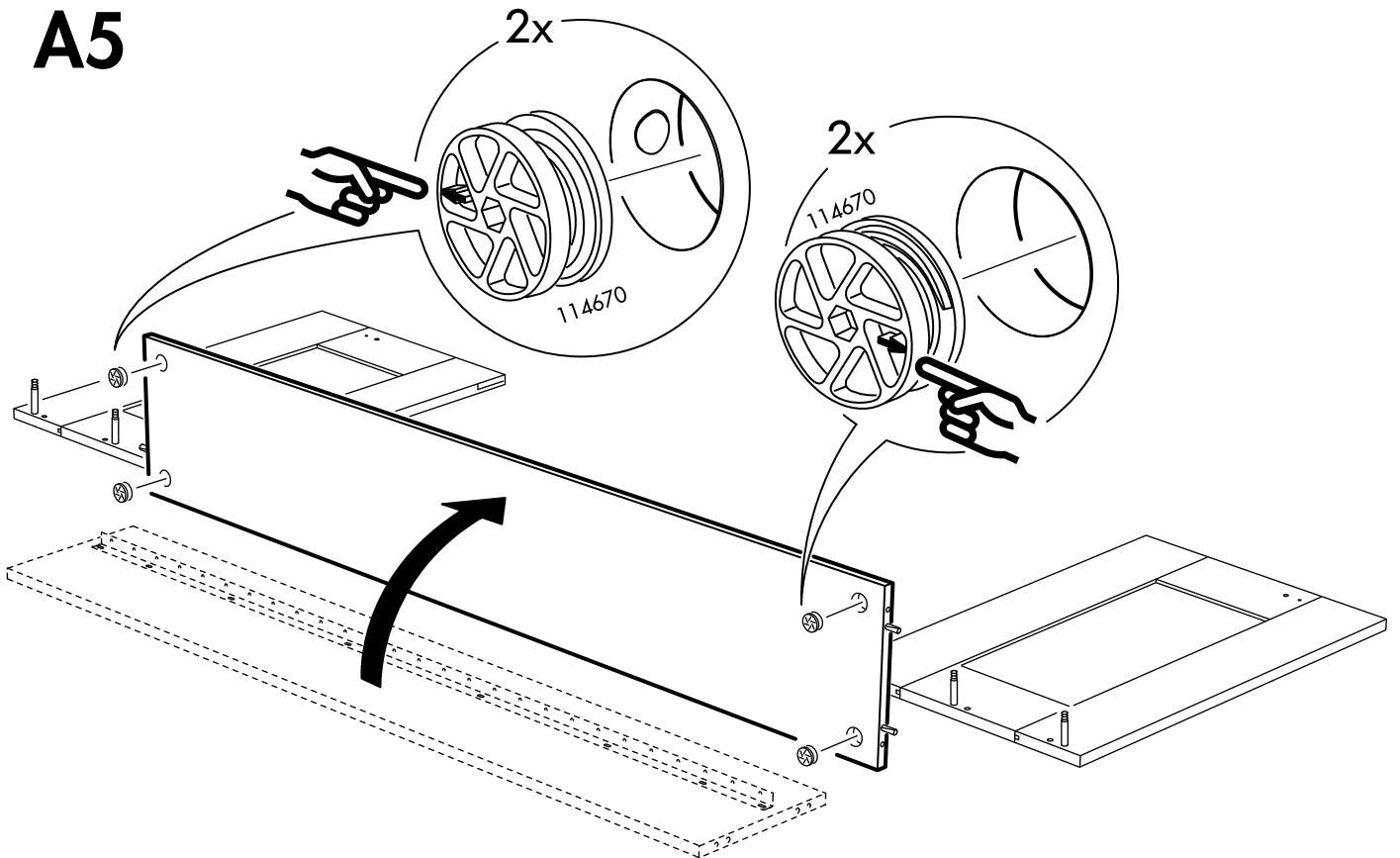
# A3



# A4

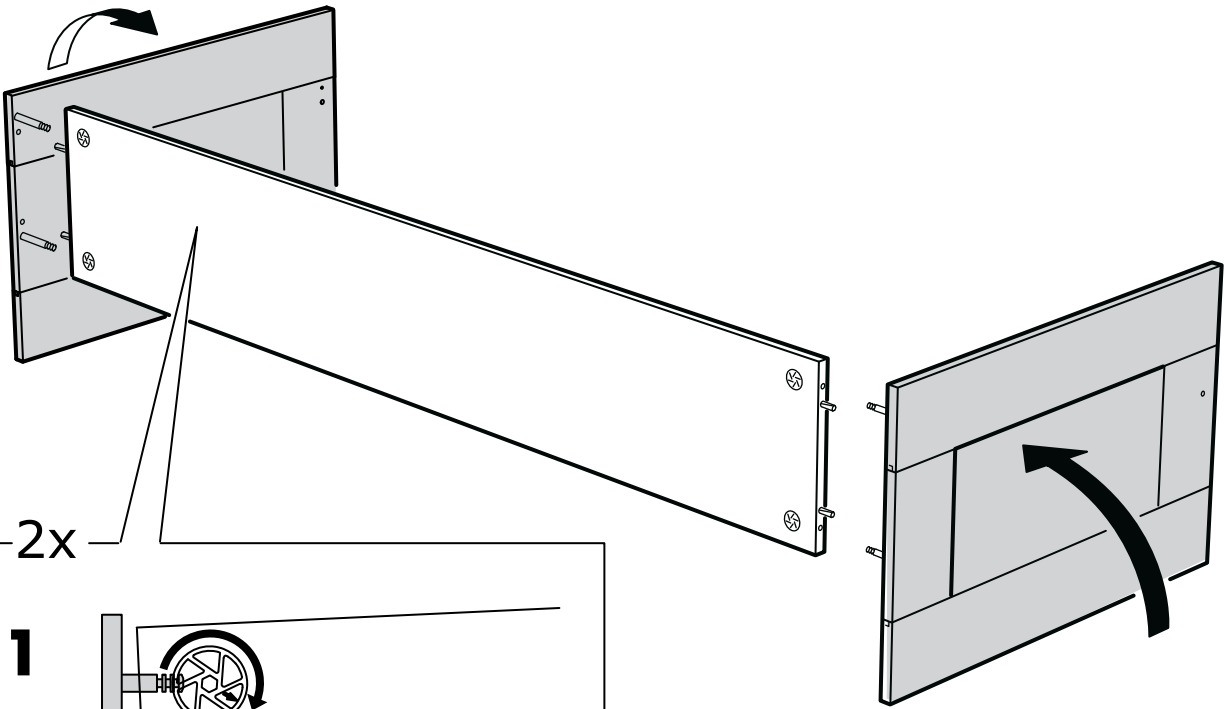


# A5



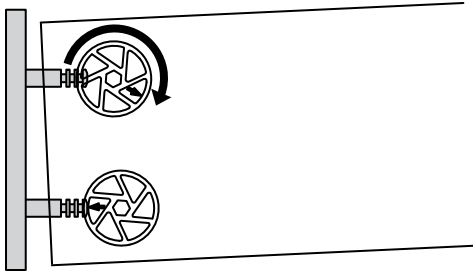


# A6

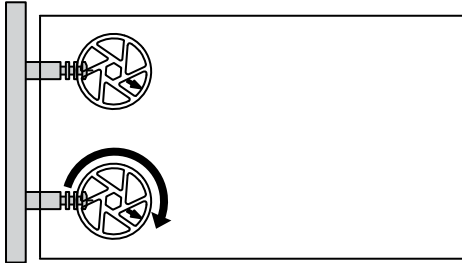


2x

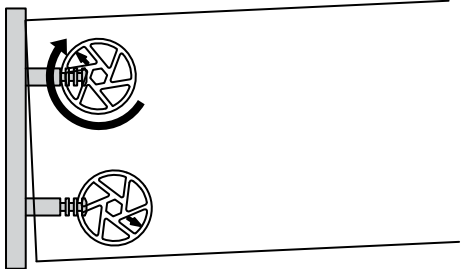
**1**



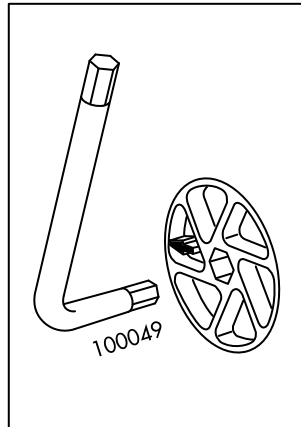
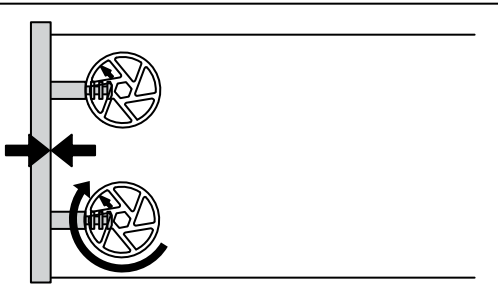
**2**



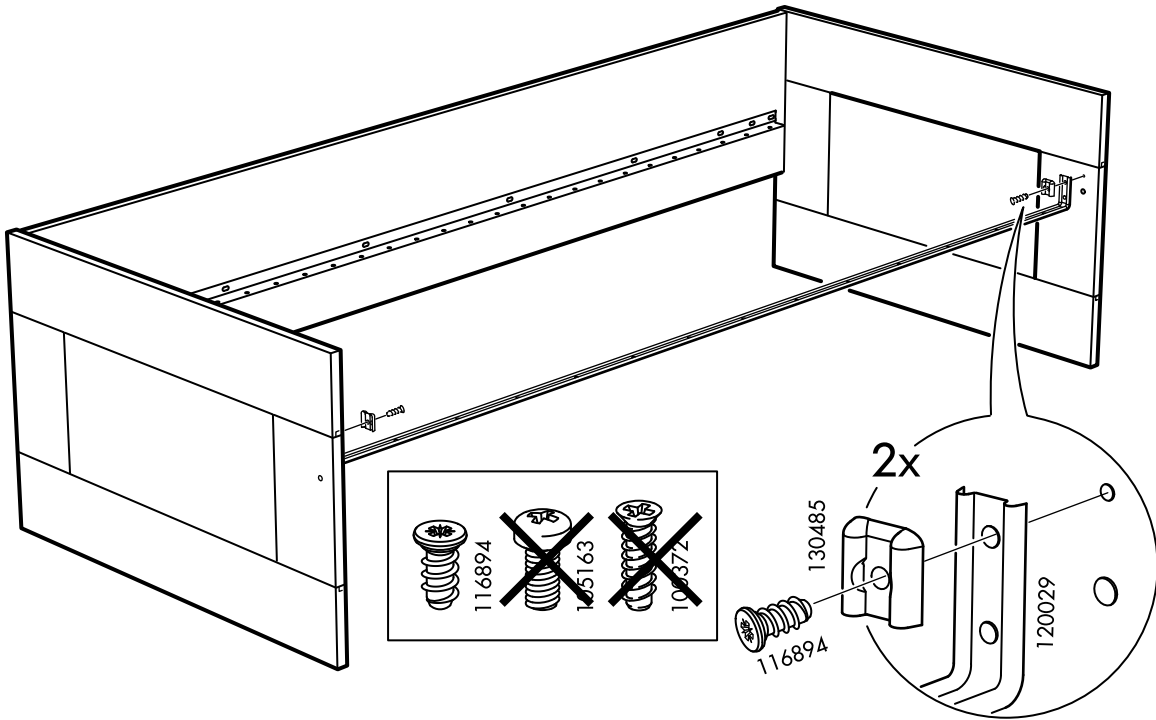
**3**



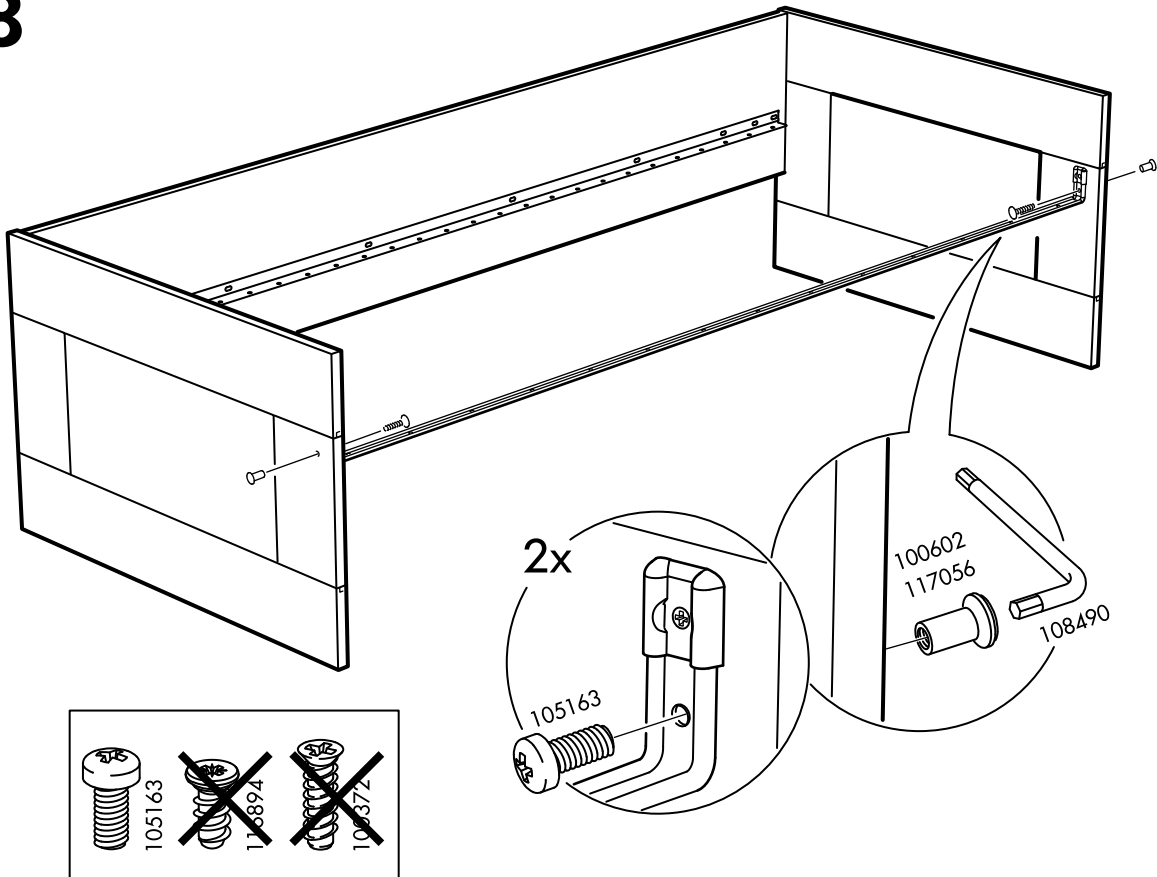
**4**

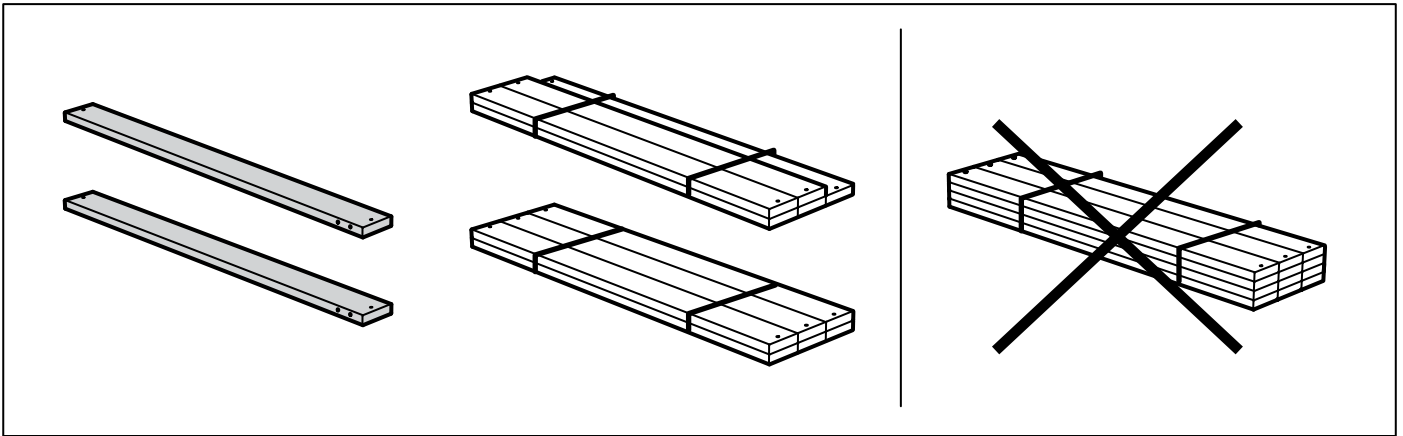


# A7

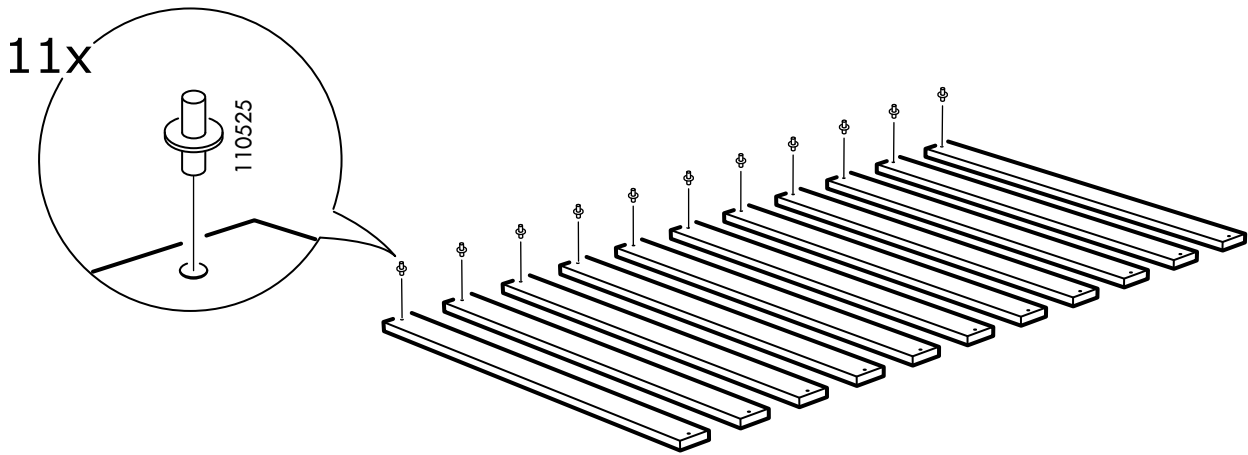


# A8

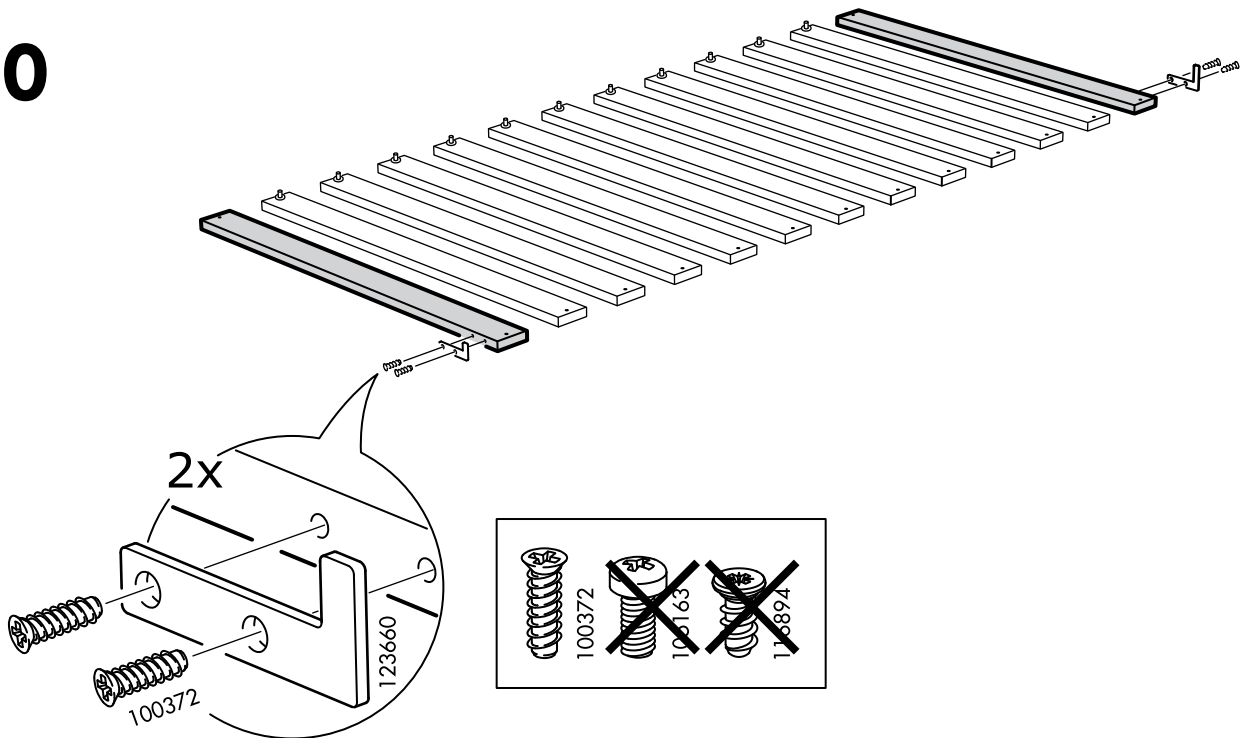


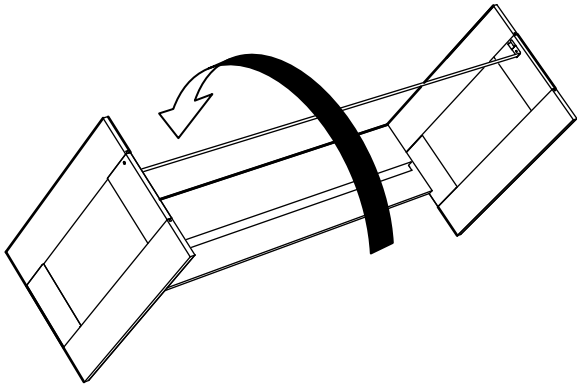


# A9

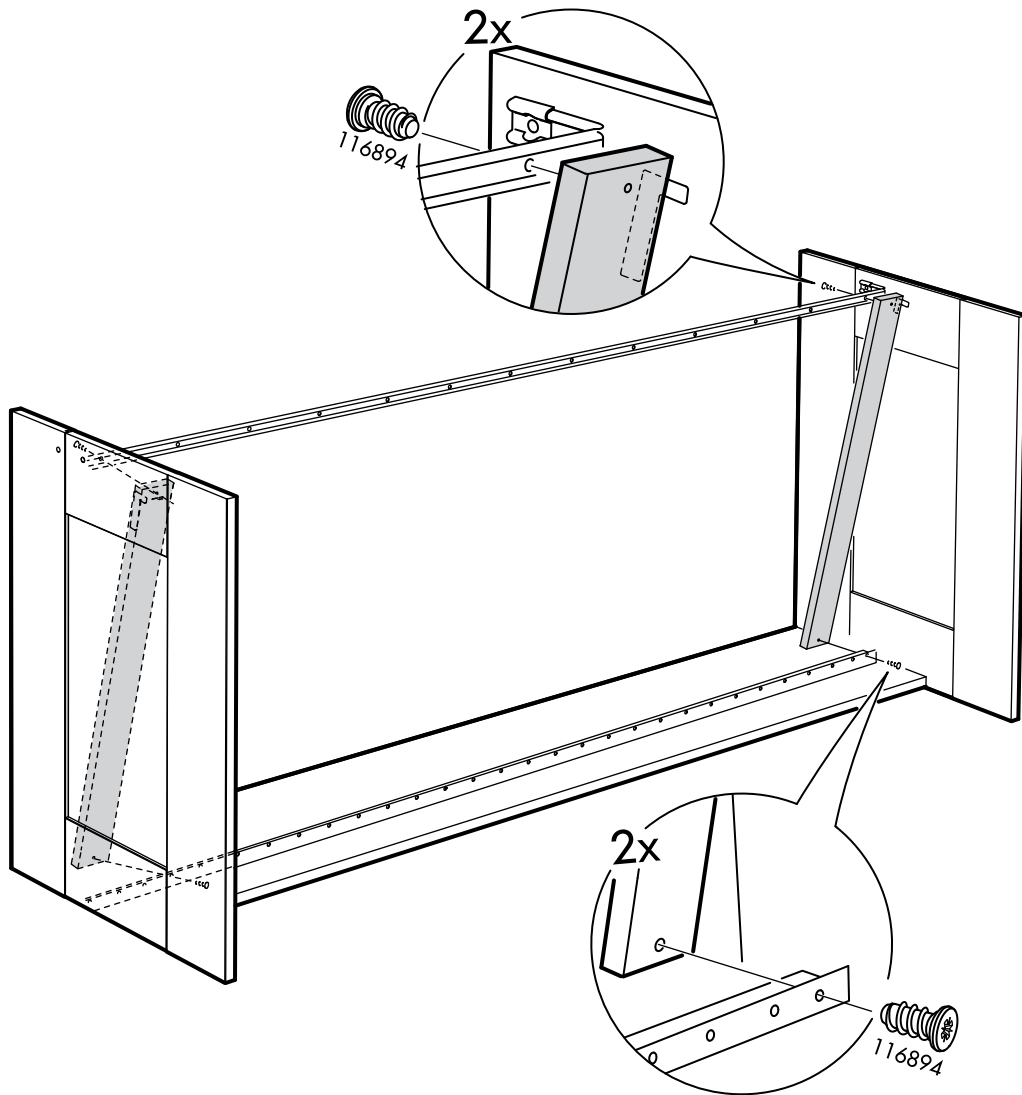


# A10

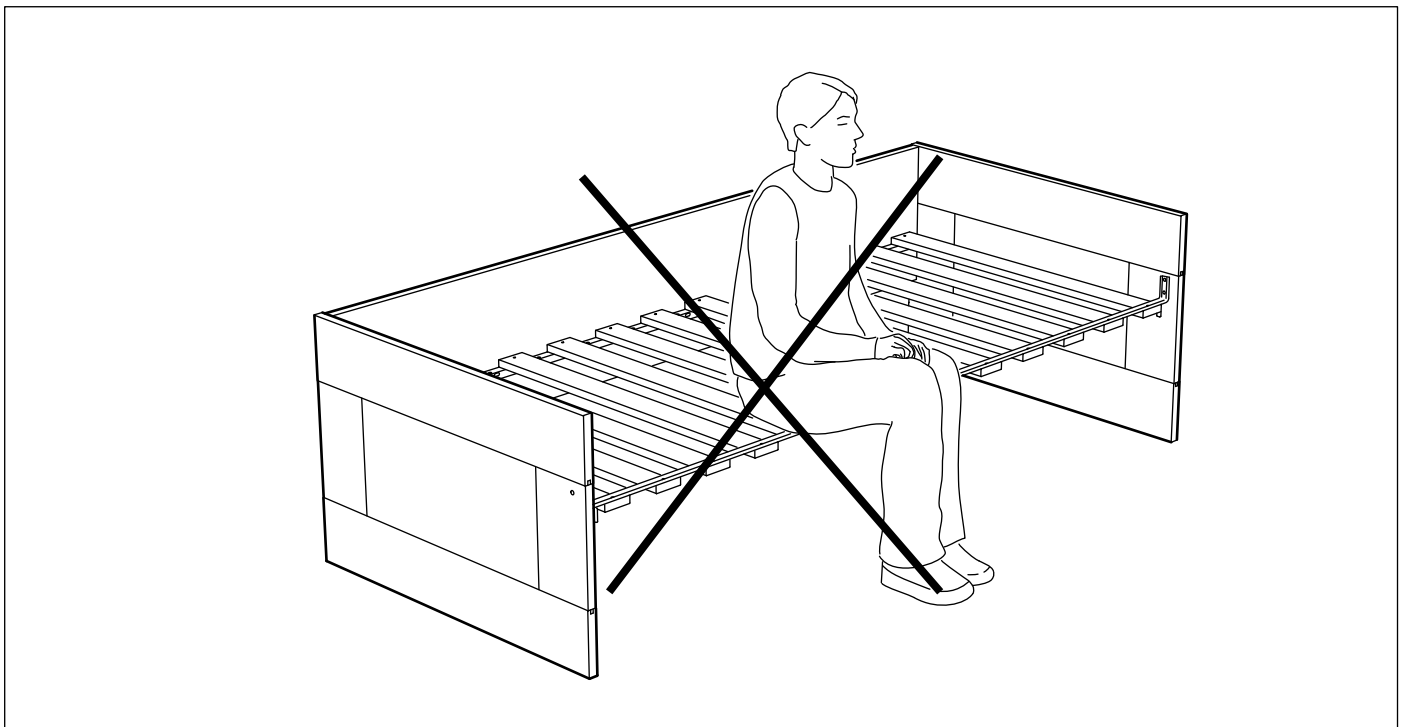
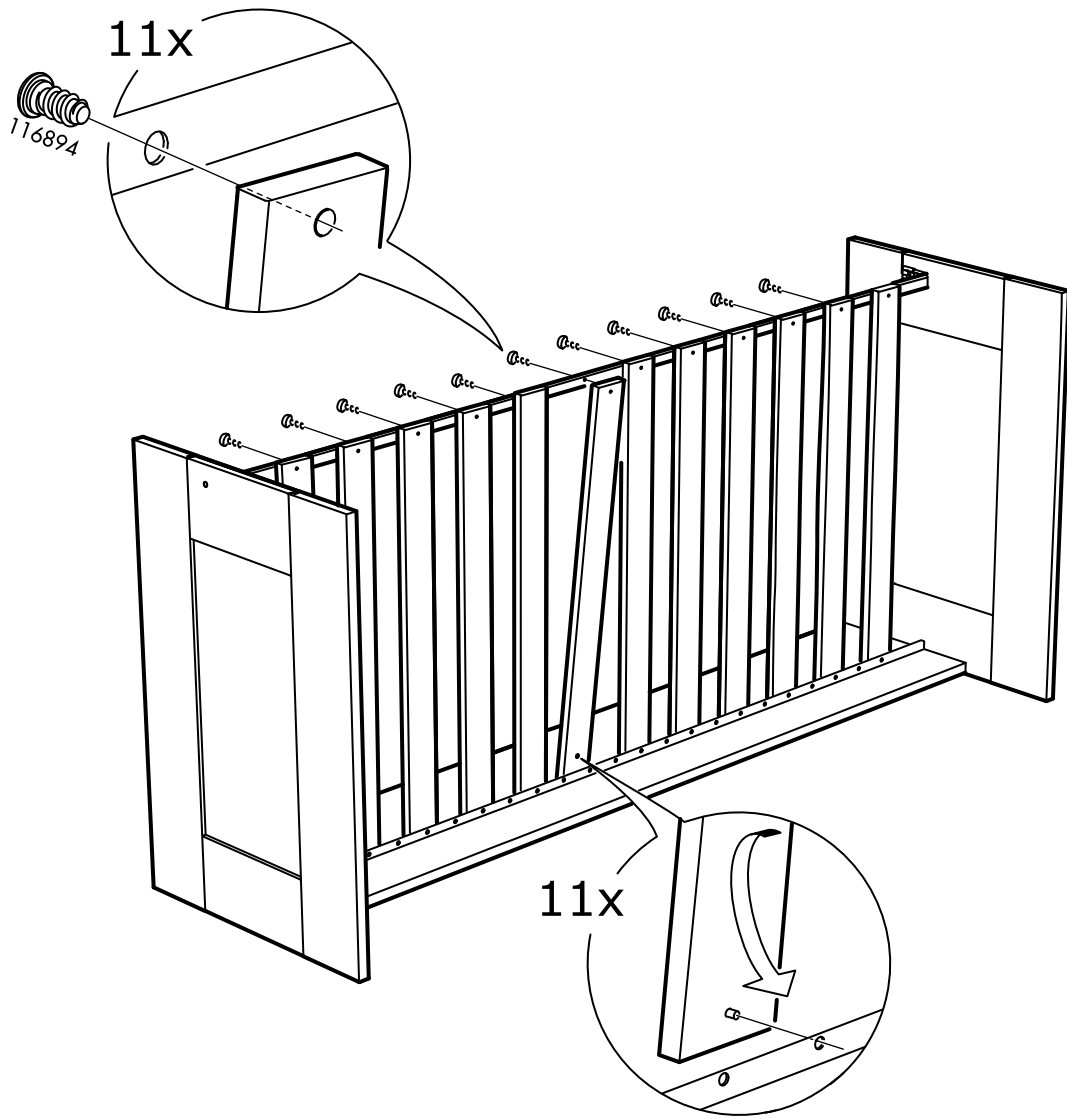




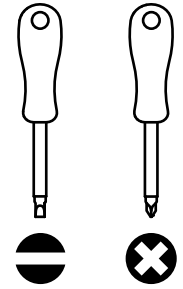
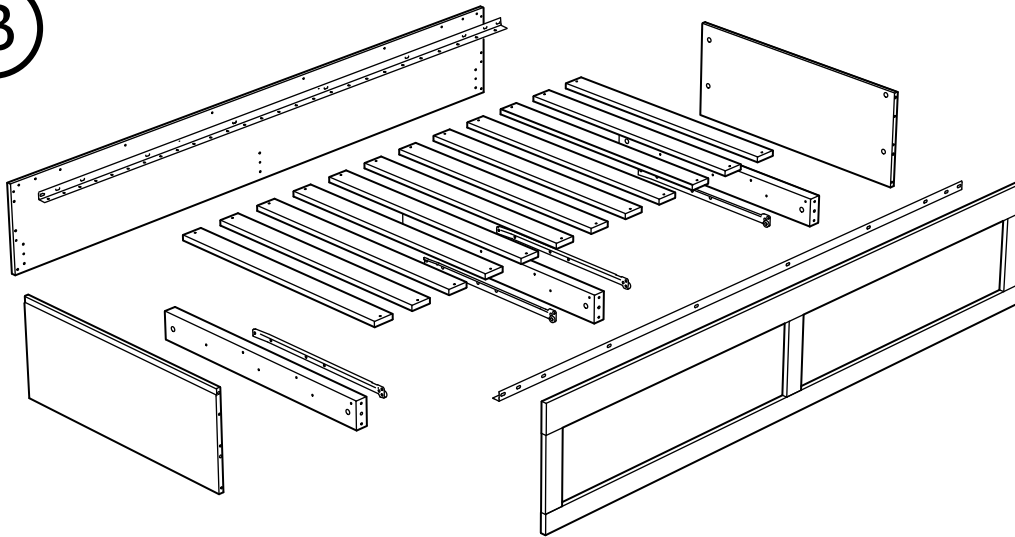
# A11













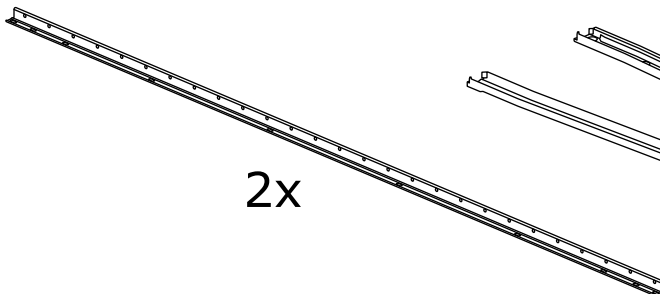
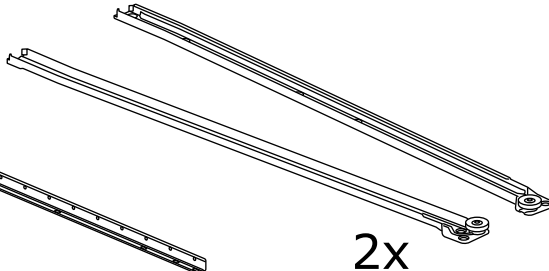
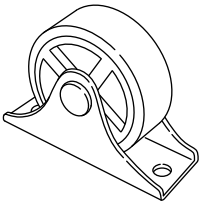
# A12



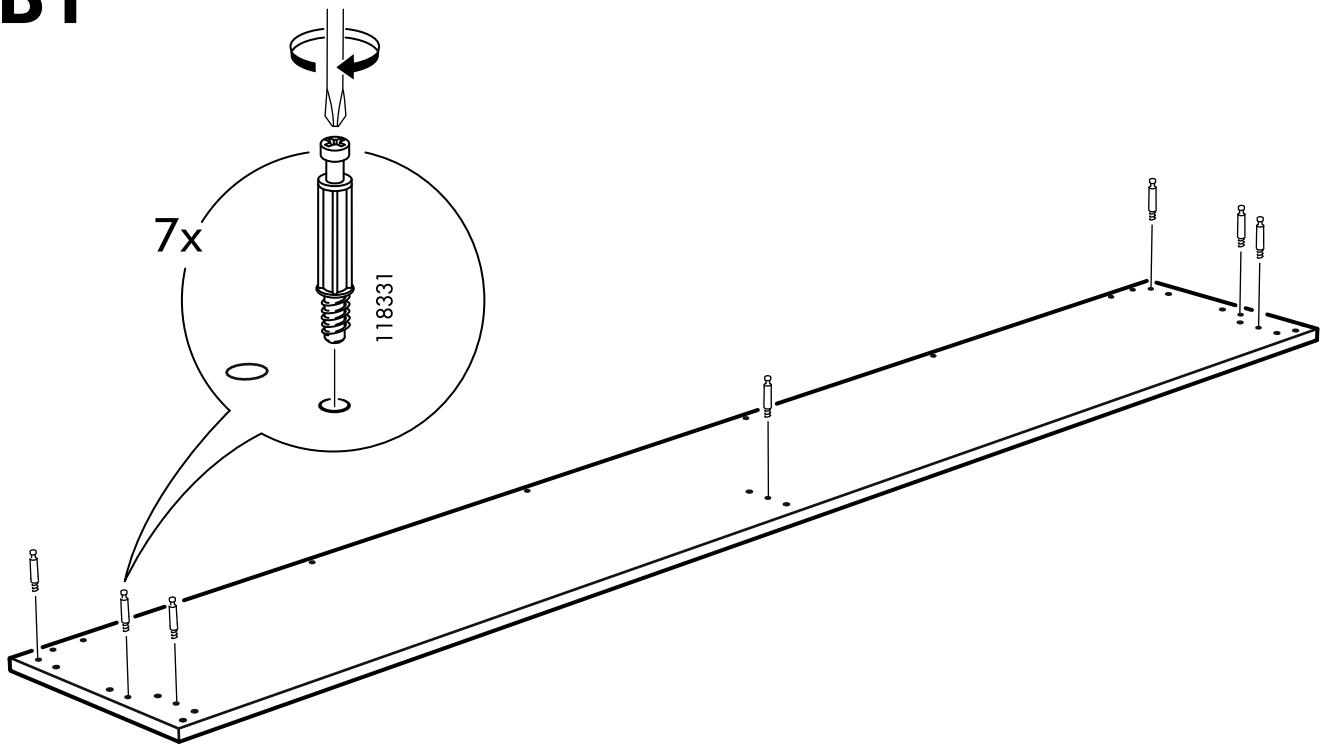
**B**



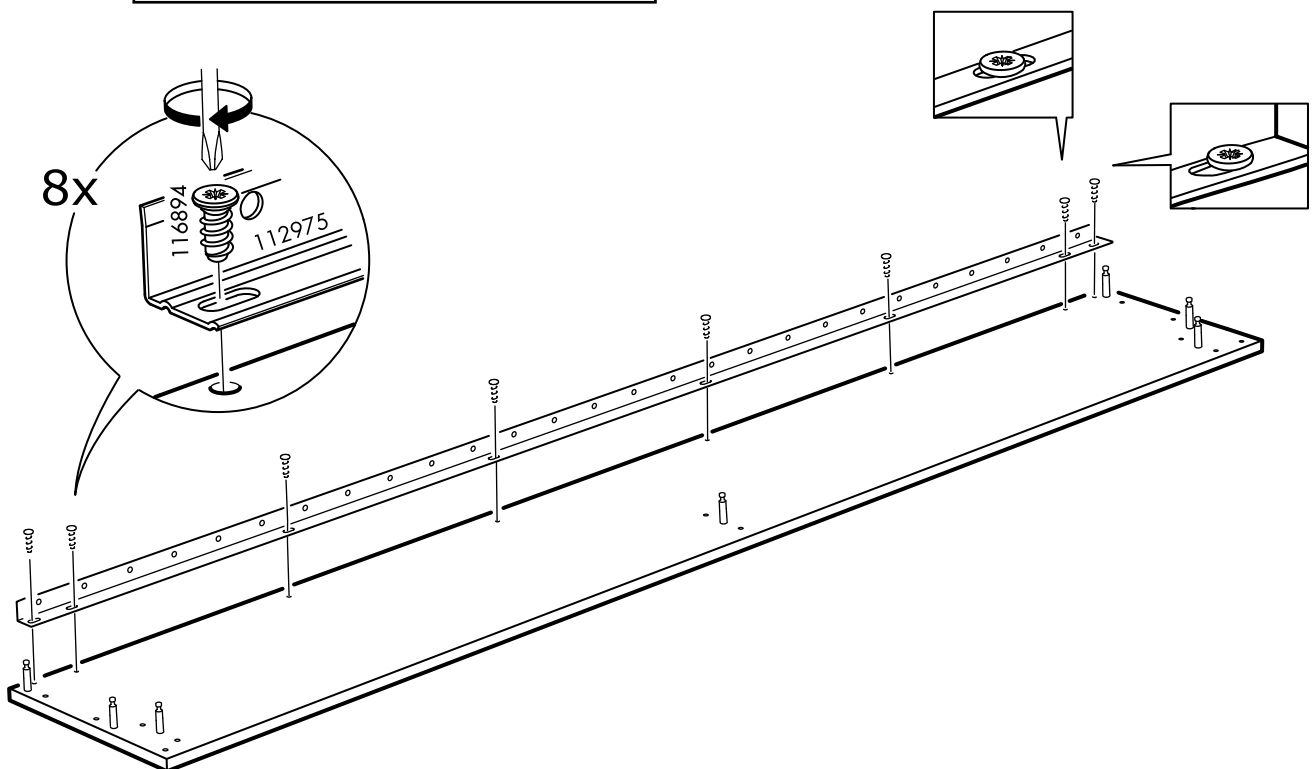
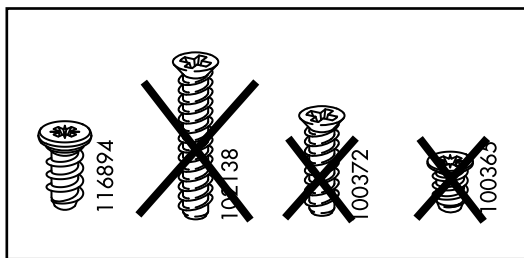
- |   |   |   |   |   |   |  |   |   |   |
|---|---|---|---|---|---|--|---|---|---|
| <br>118331 | <br>101345 | <br>119030<br>118224 | <br>116894 | <br>102138 | <br>100372 | <br>109567 | <br>109542 | <br>110646 | <br>110525 |
| 14x   | 24x   | 14x   | 22x   | 6x  | 6x  | 12x  | 6x  | 6x  | 18x   |

- |  |  |   |
|--|--|---|
| <br>118231 | <br>118231 | <br>111401 |
| 2x   | 2x   | 6x  |

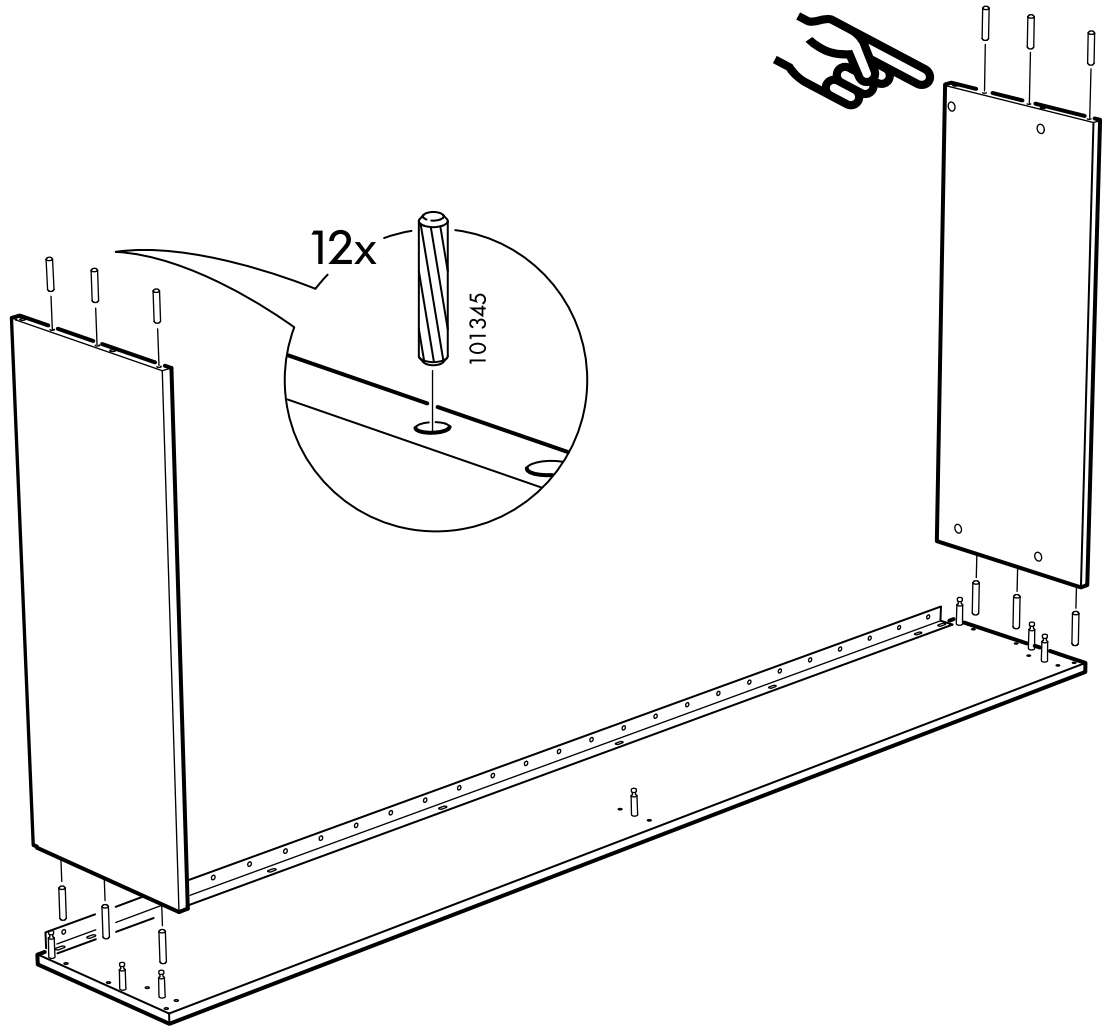
# B1



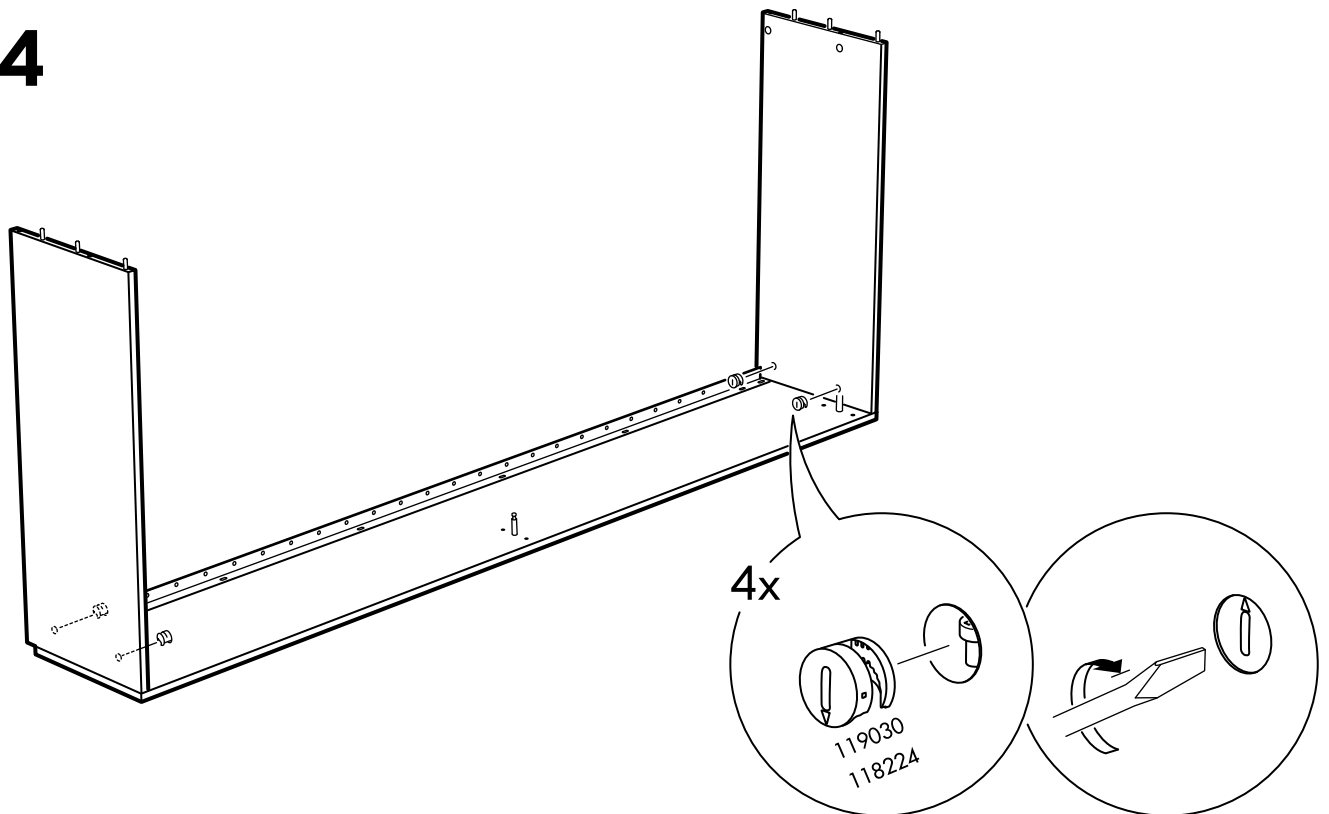
# B2



# B3

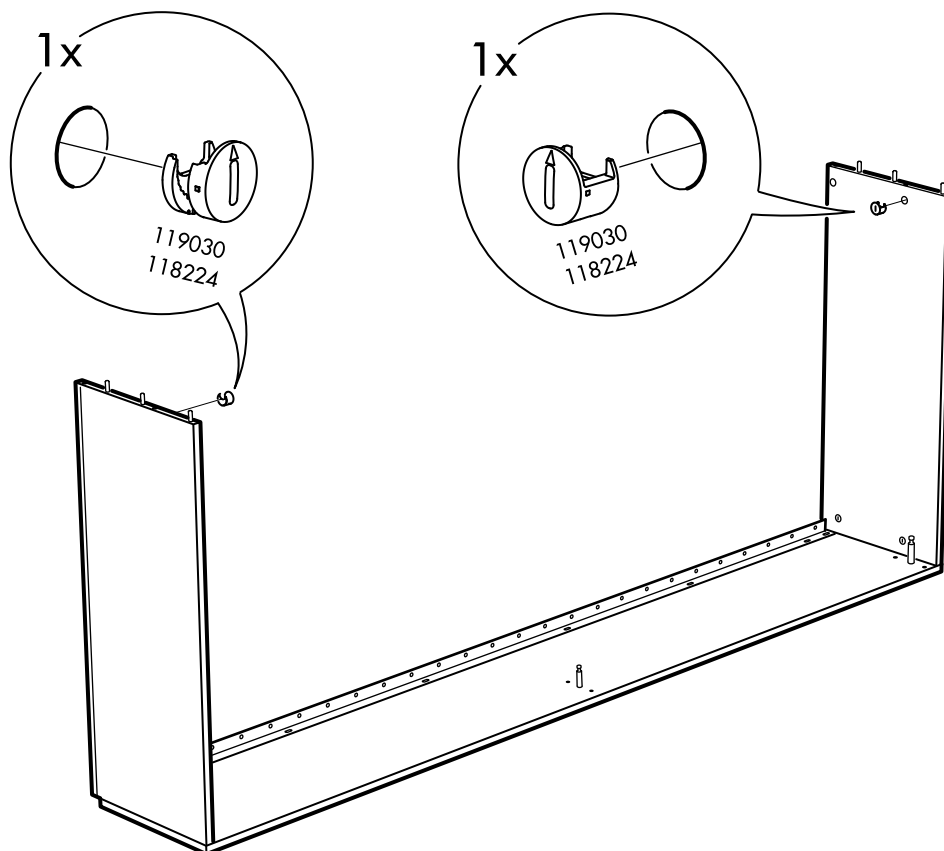


# B4

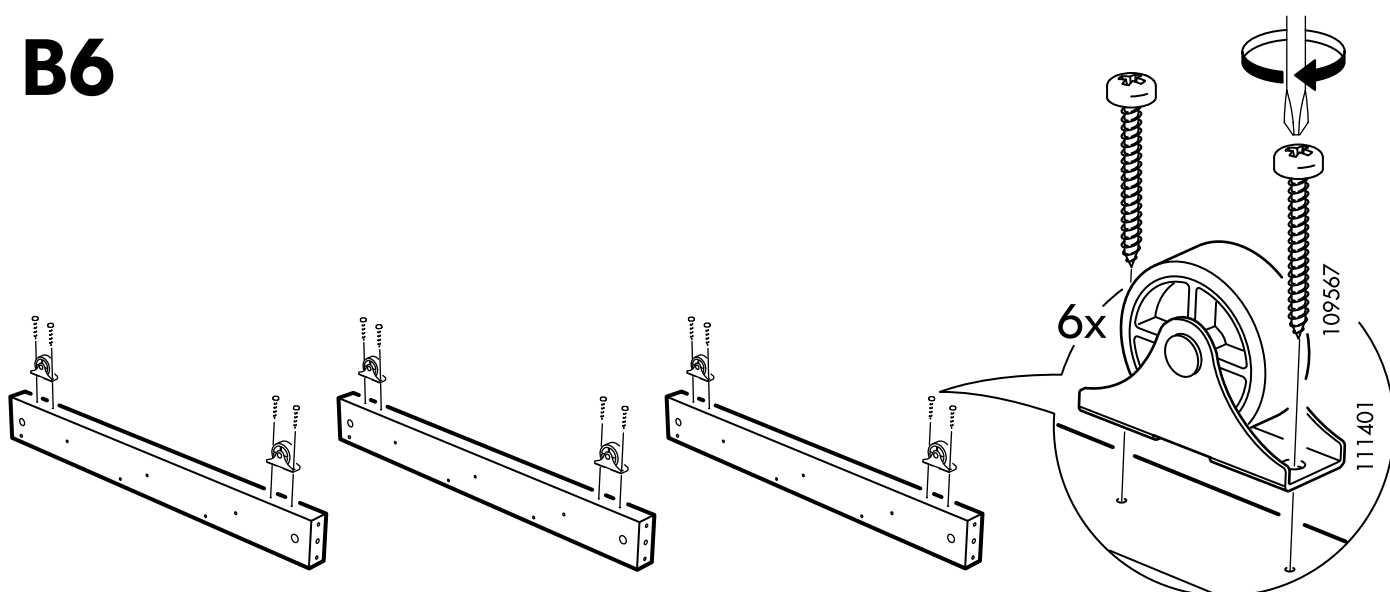




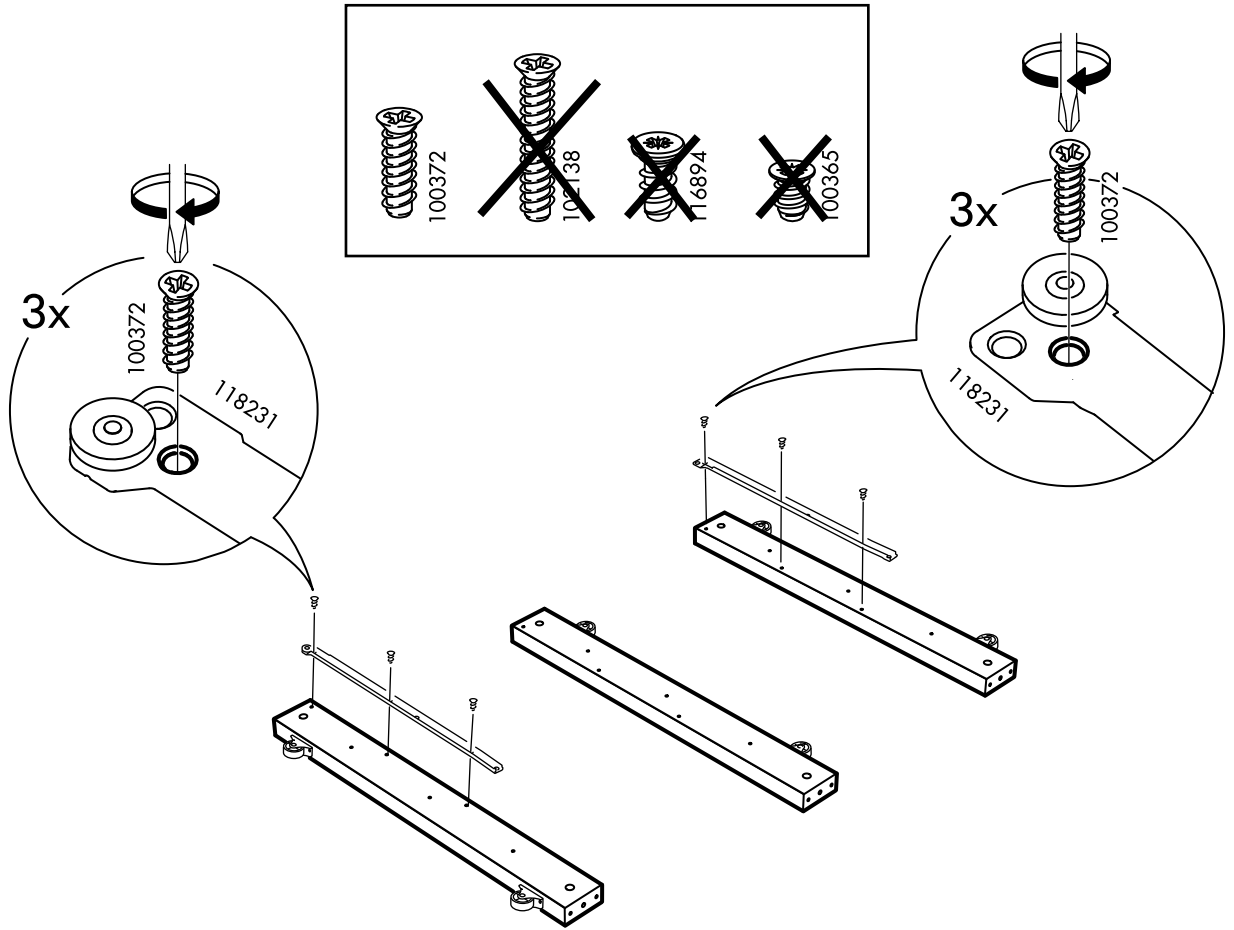
# B5



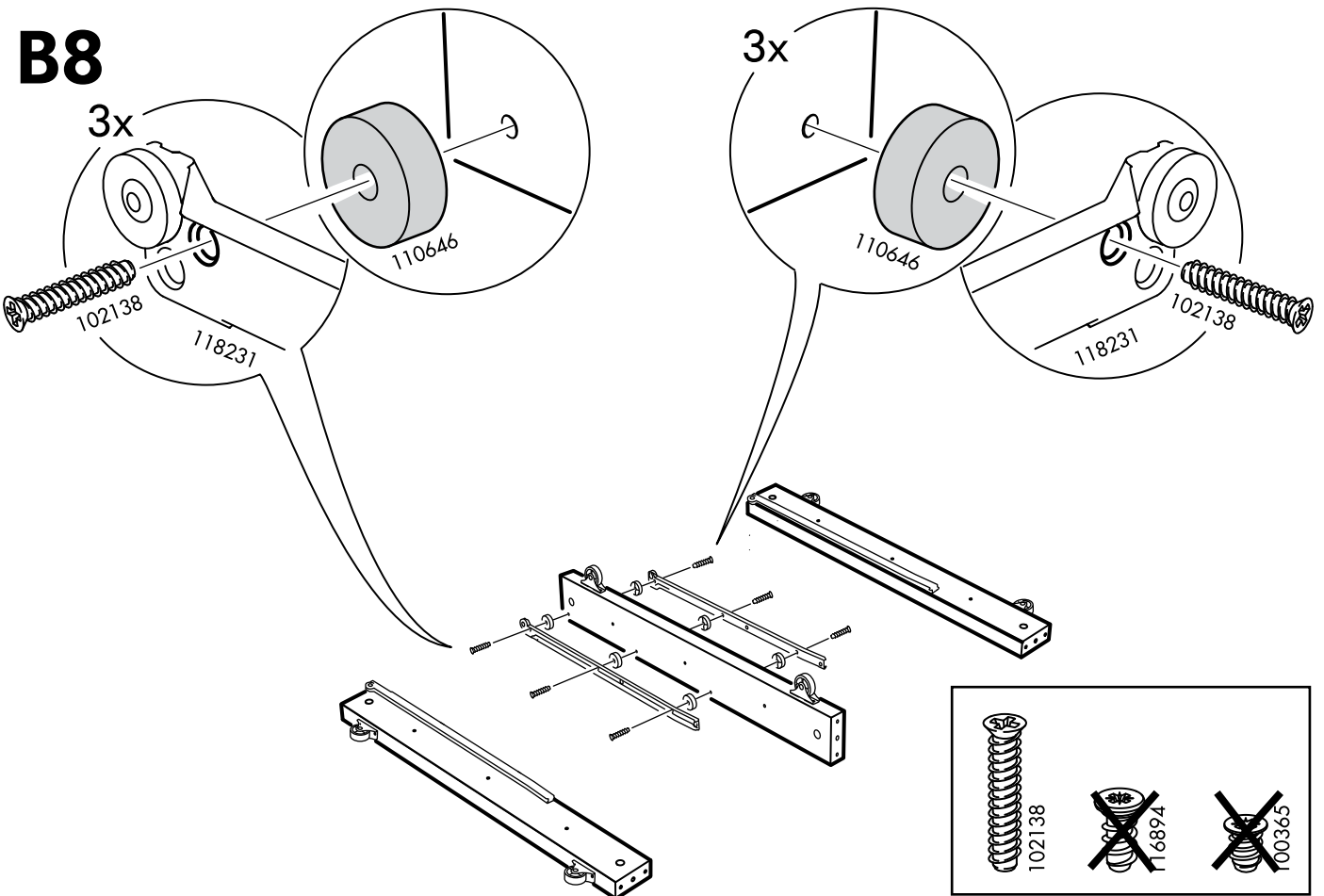
# B6



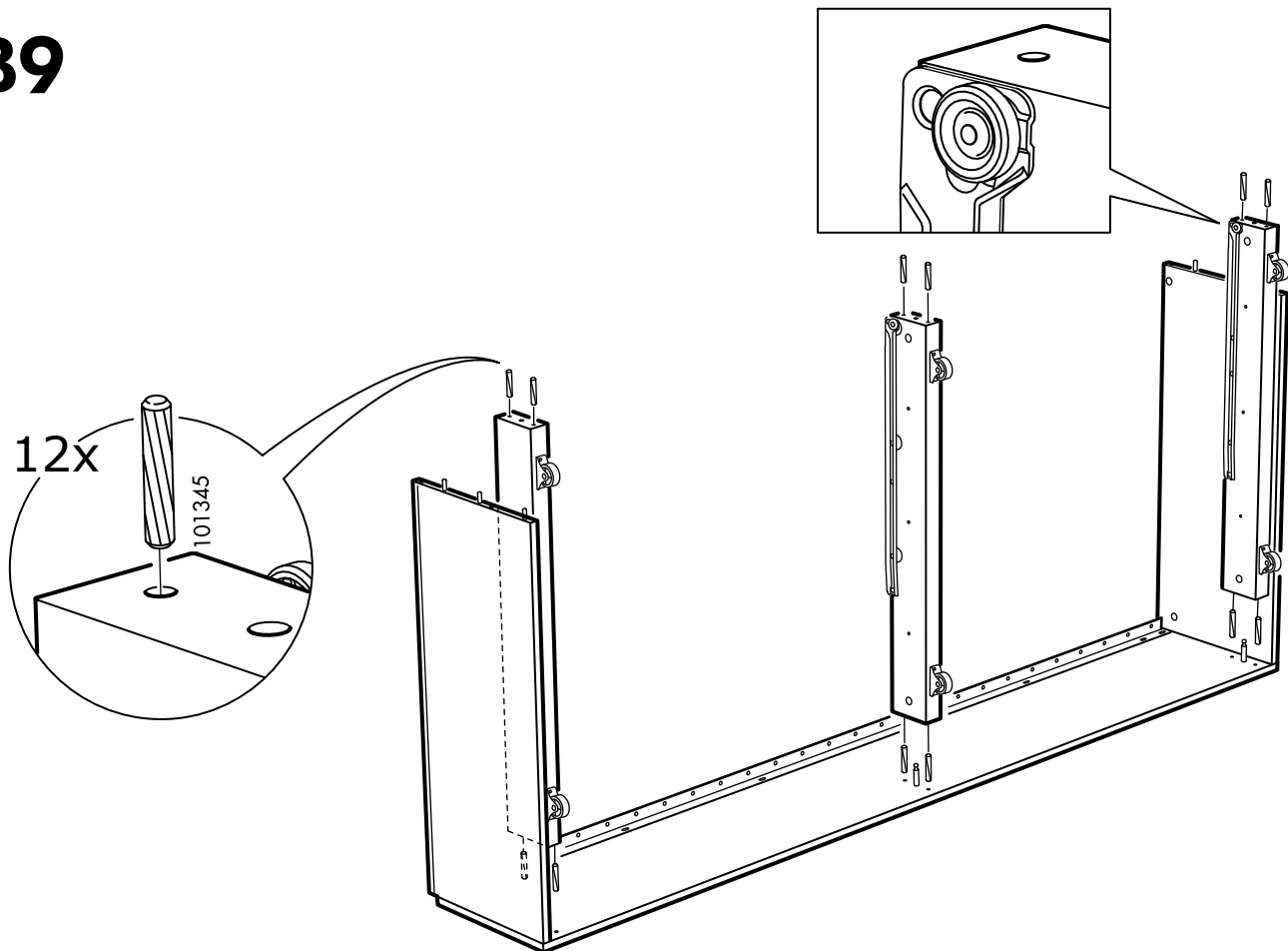
# B7



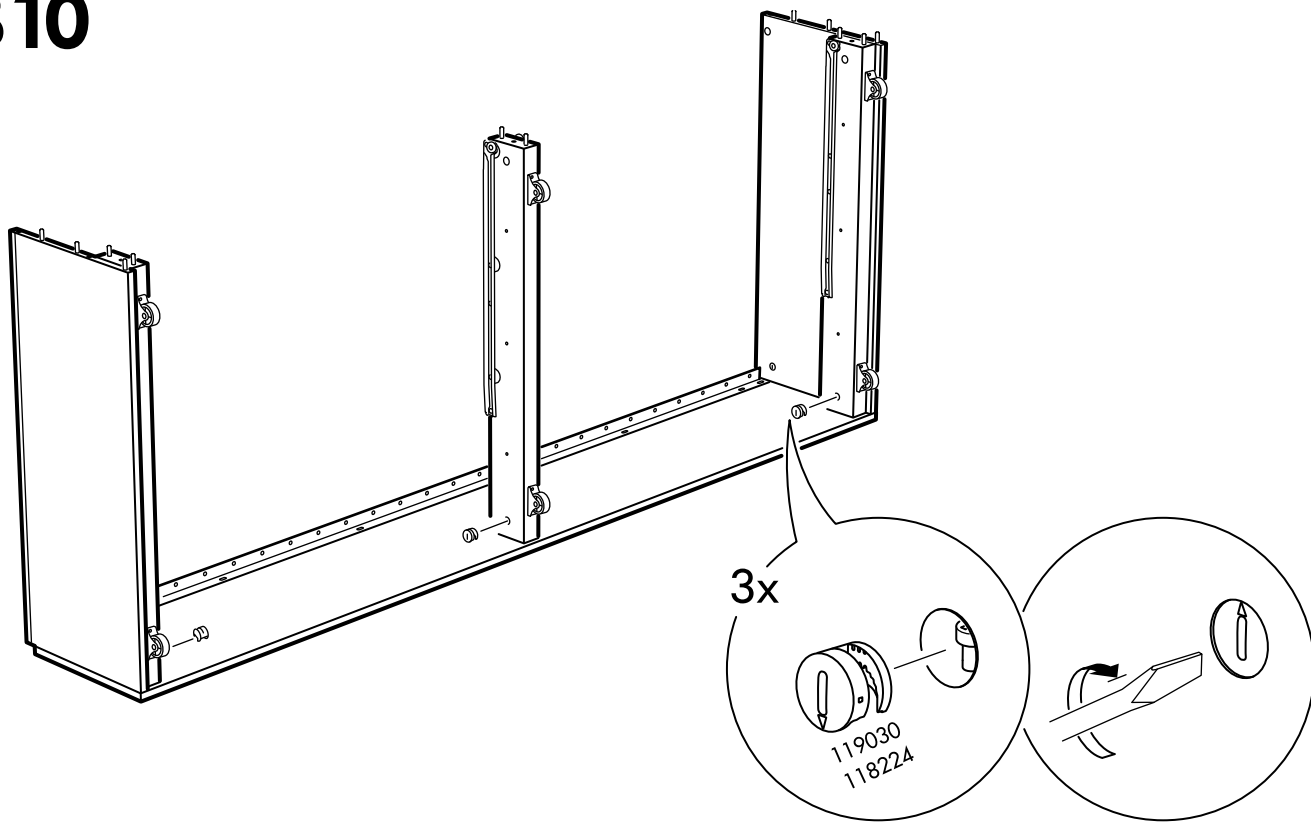
# B8



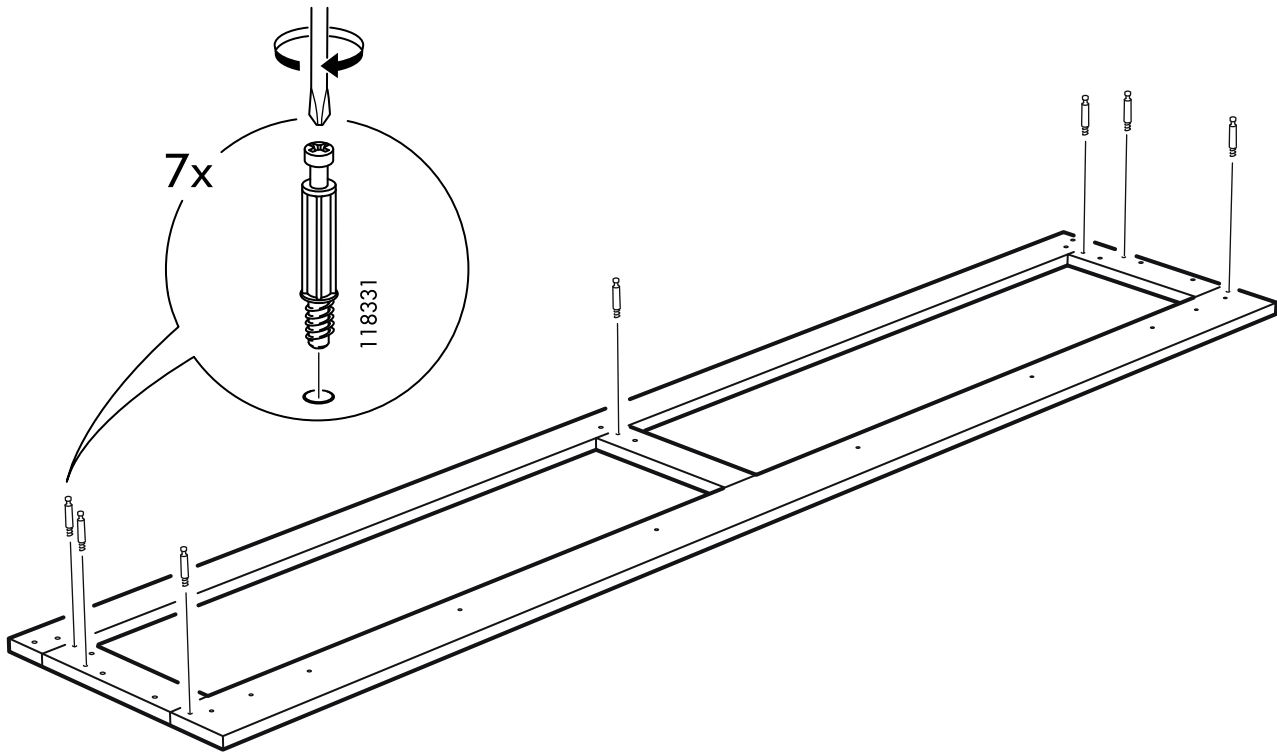
# B9



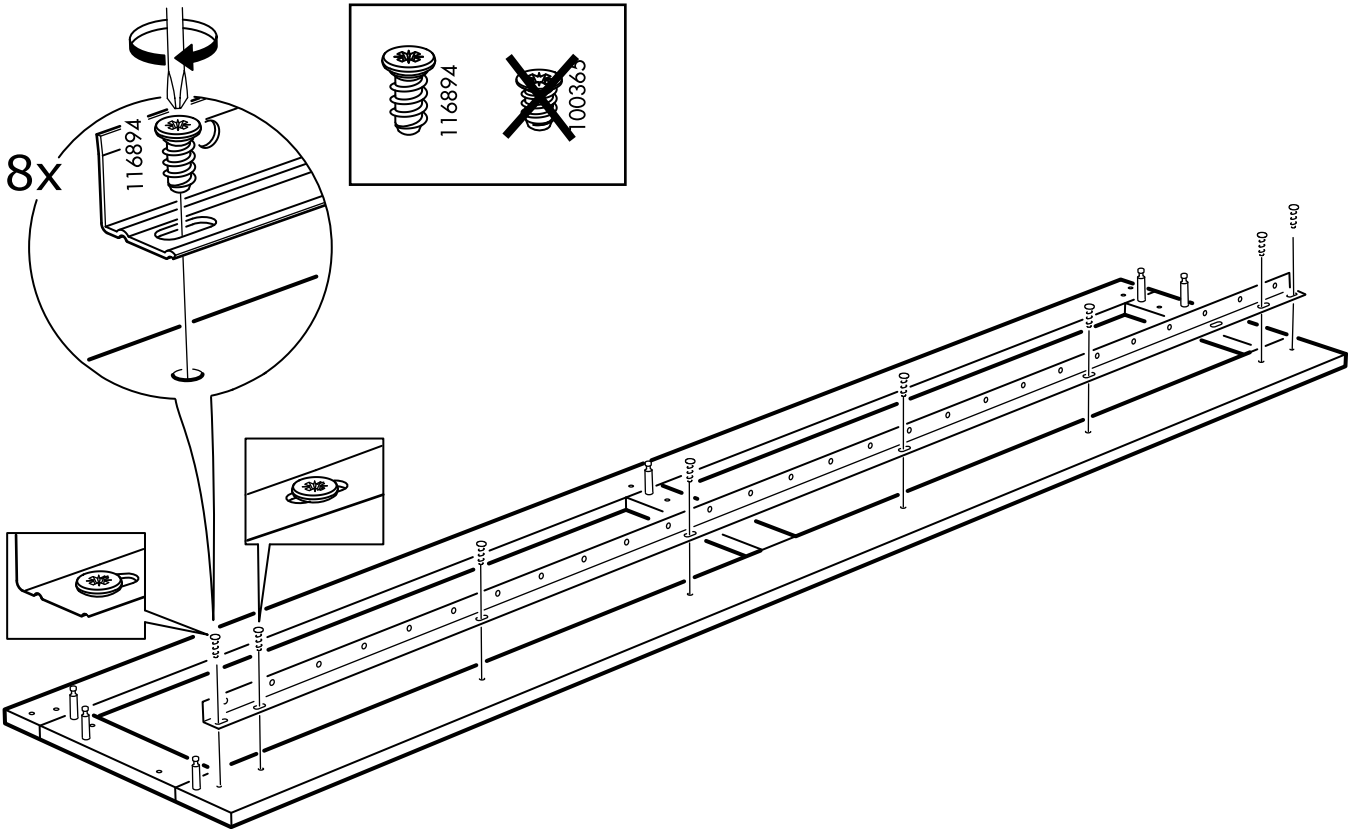
# B10



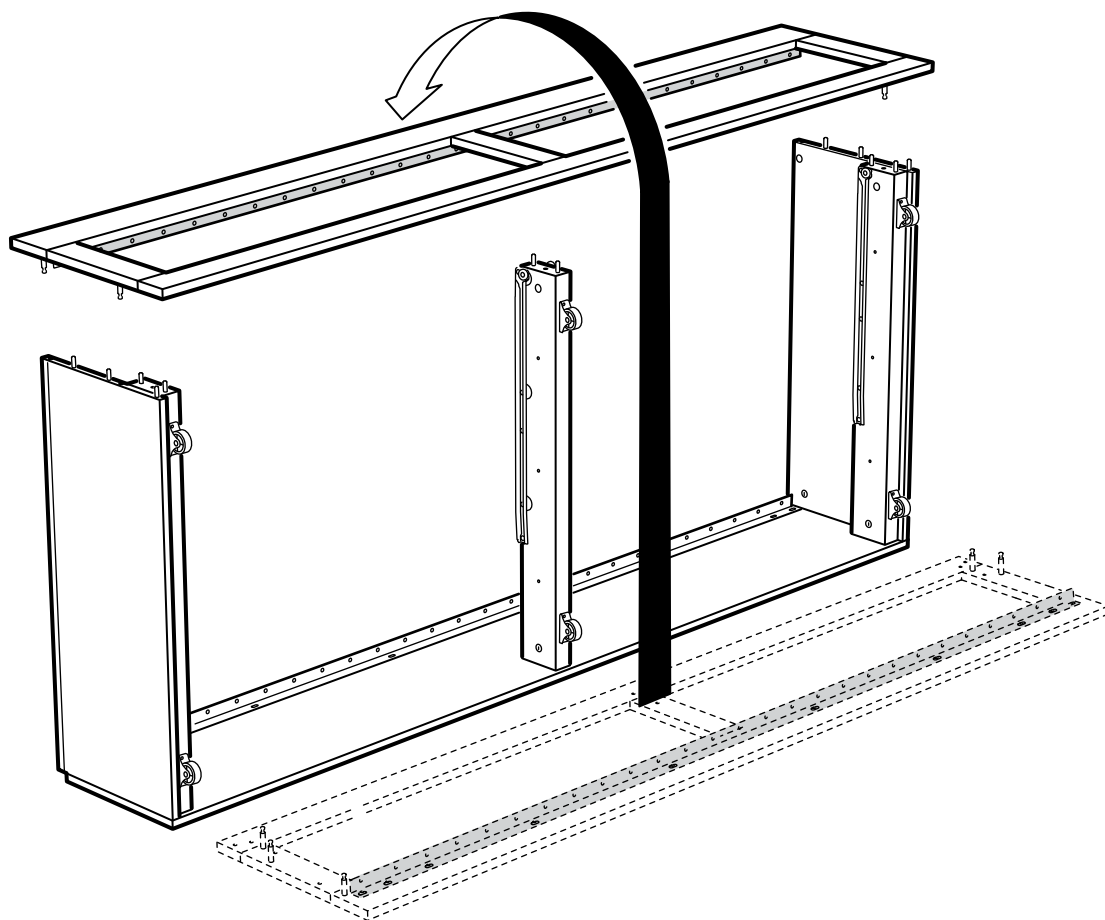
# B11



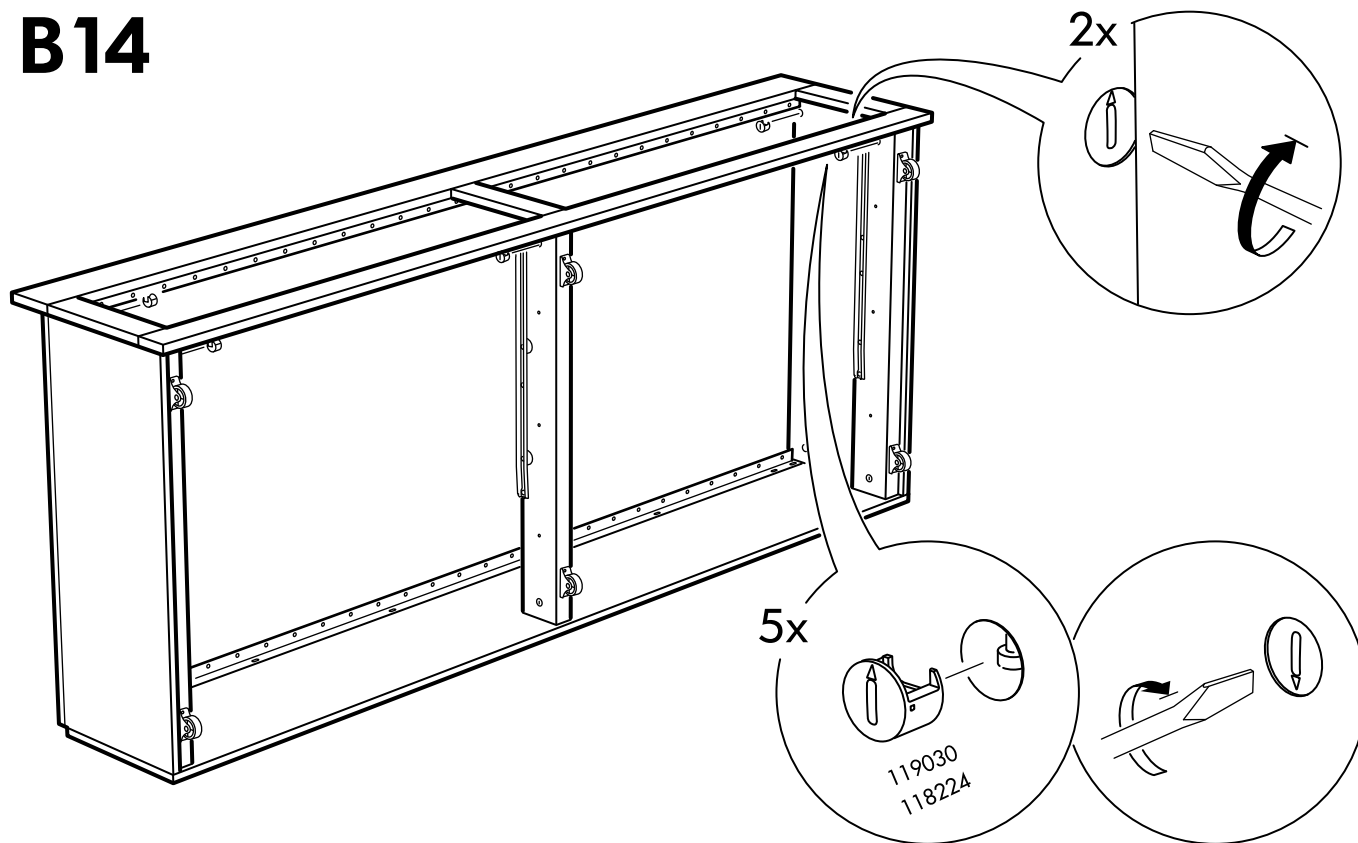
# B12



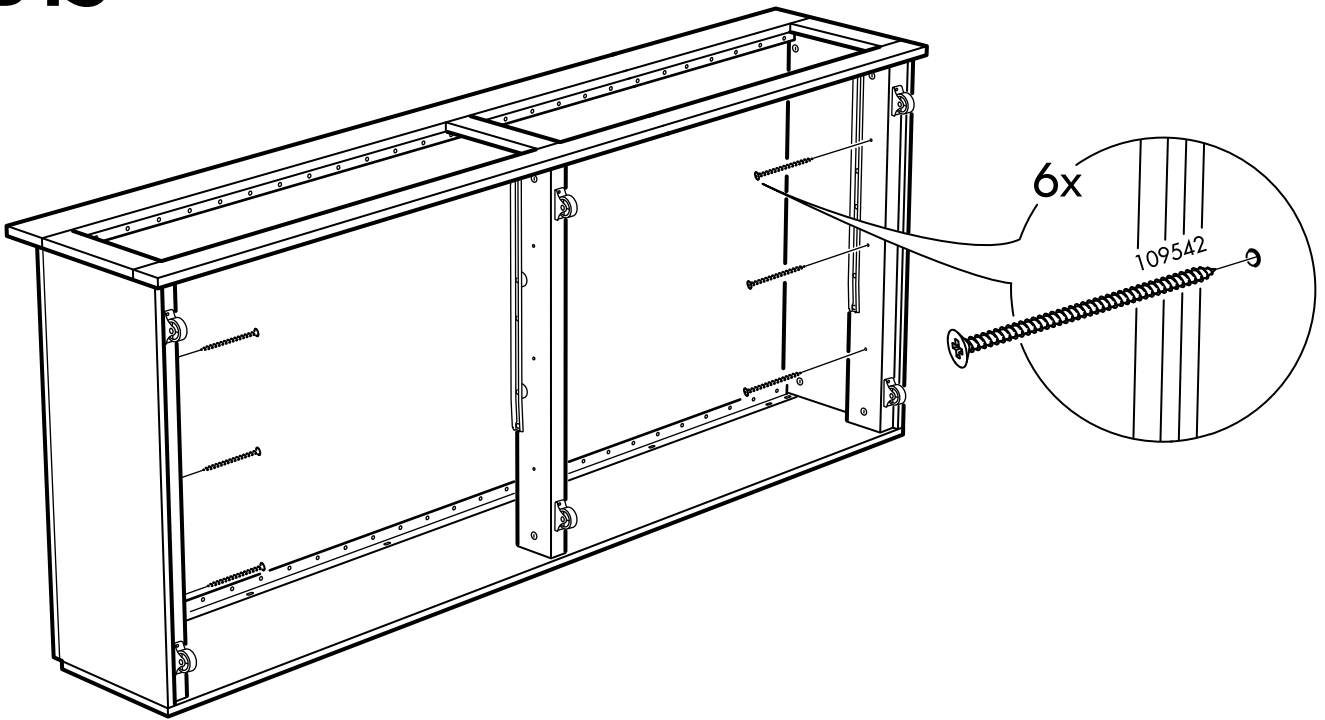
# B13



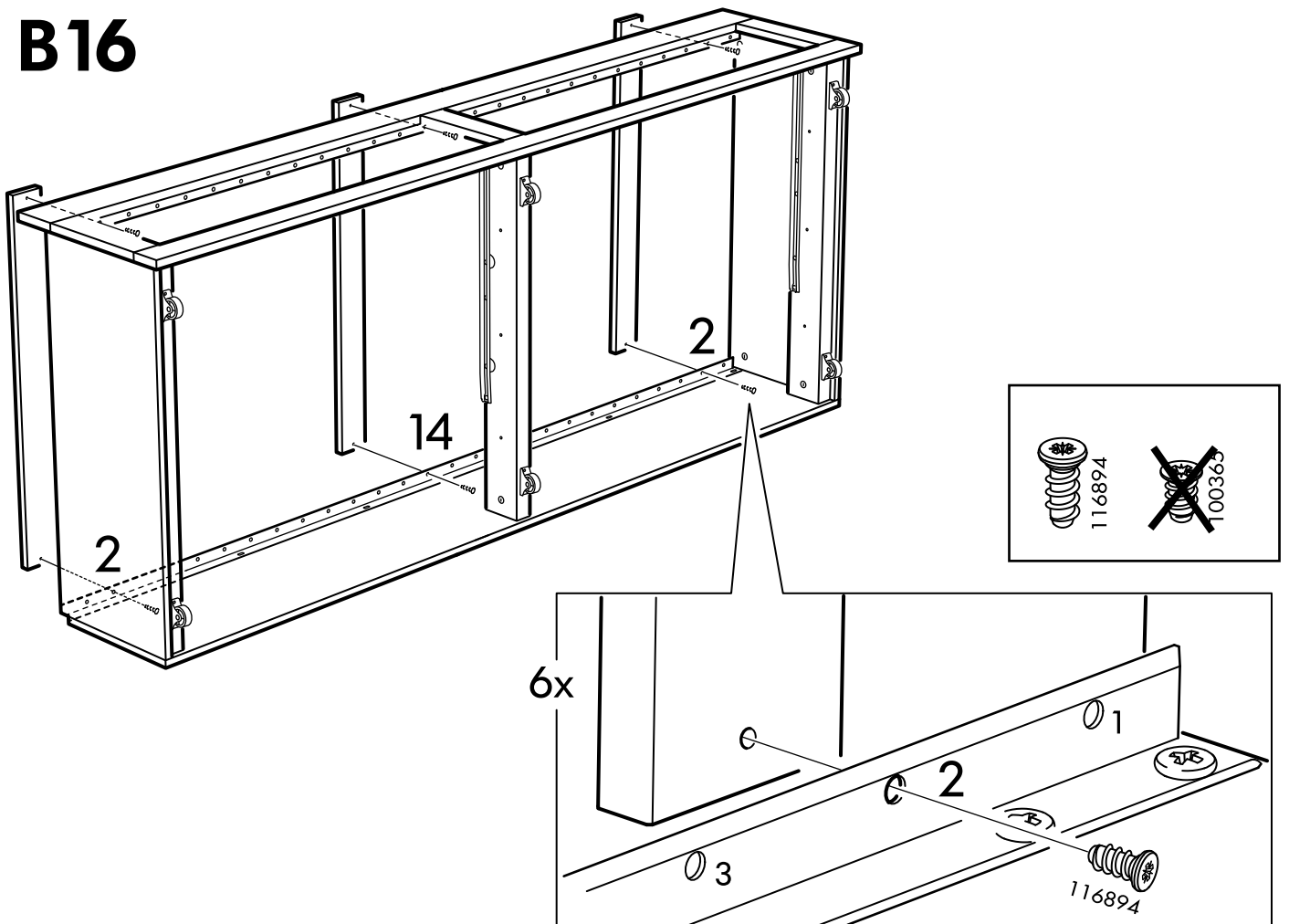
# B14

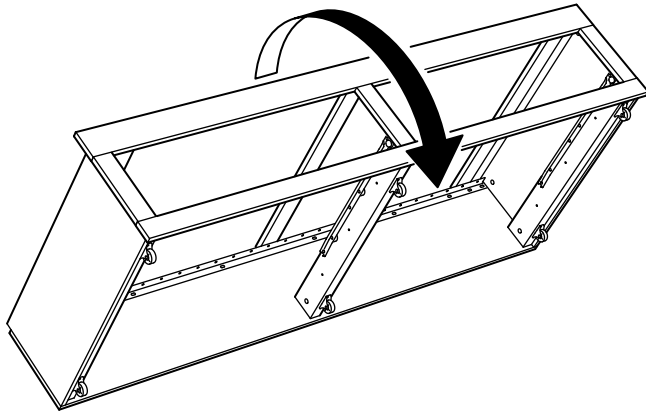


# B15

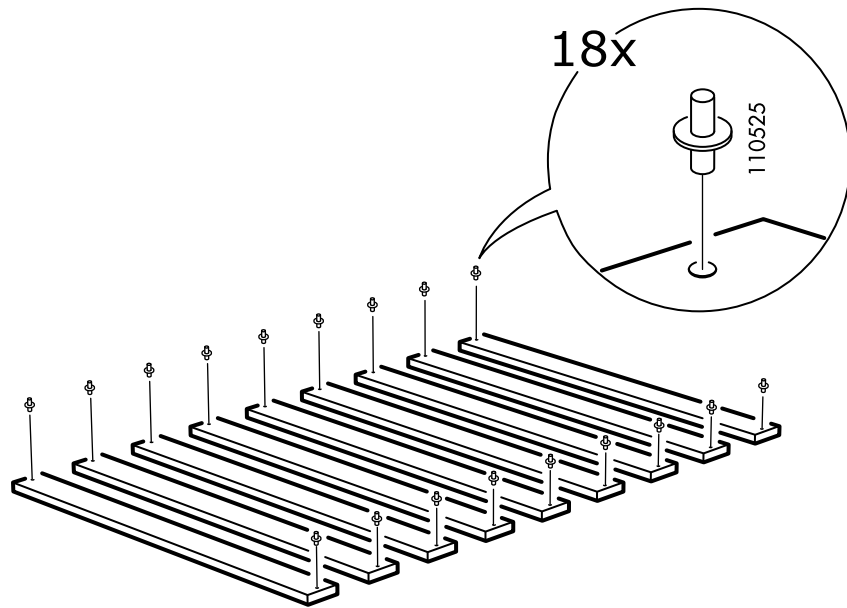


# B16

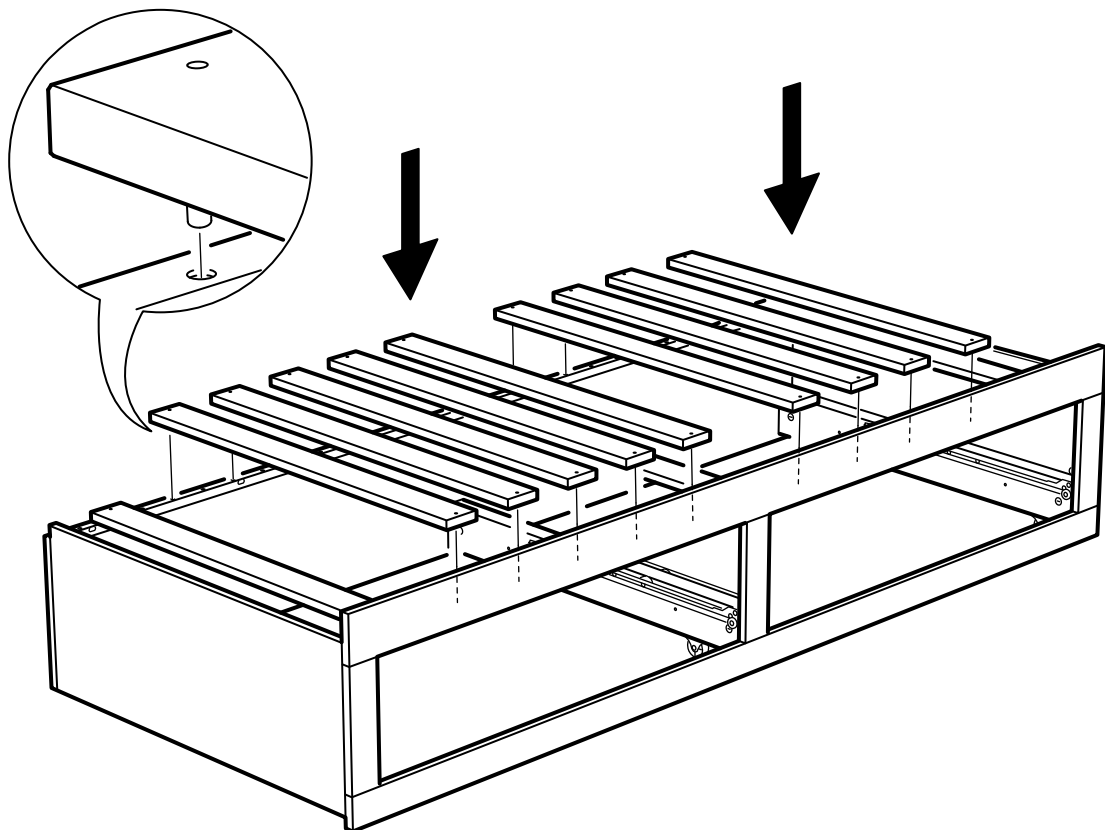




**B17**

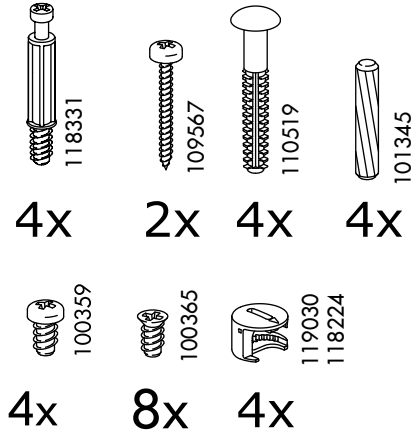
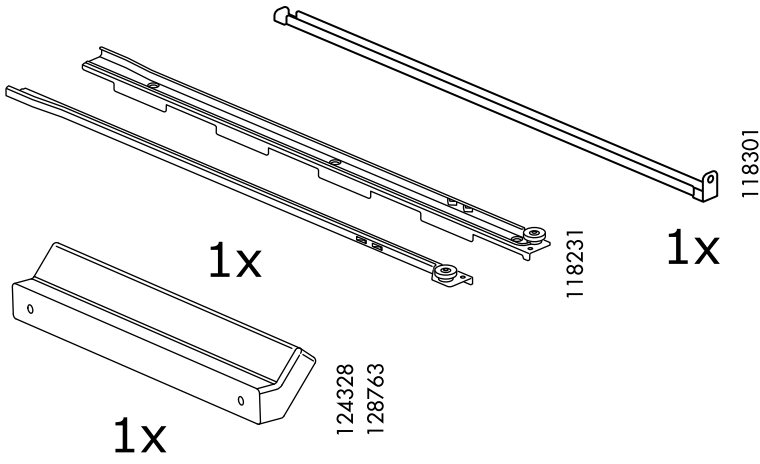
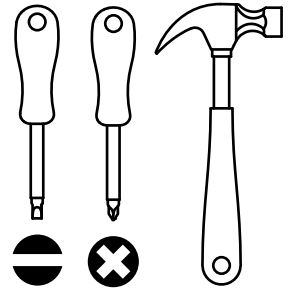
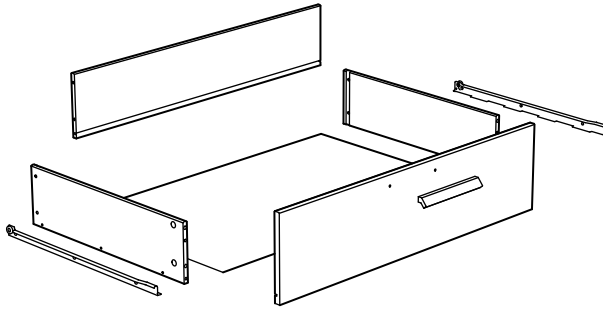


**B18**

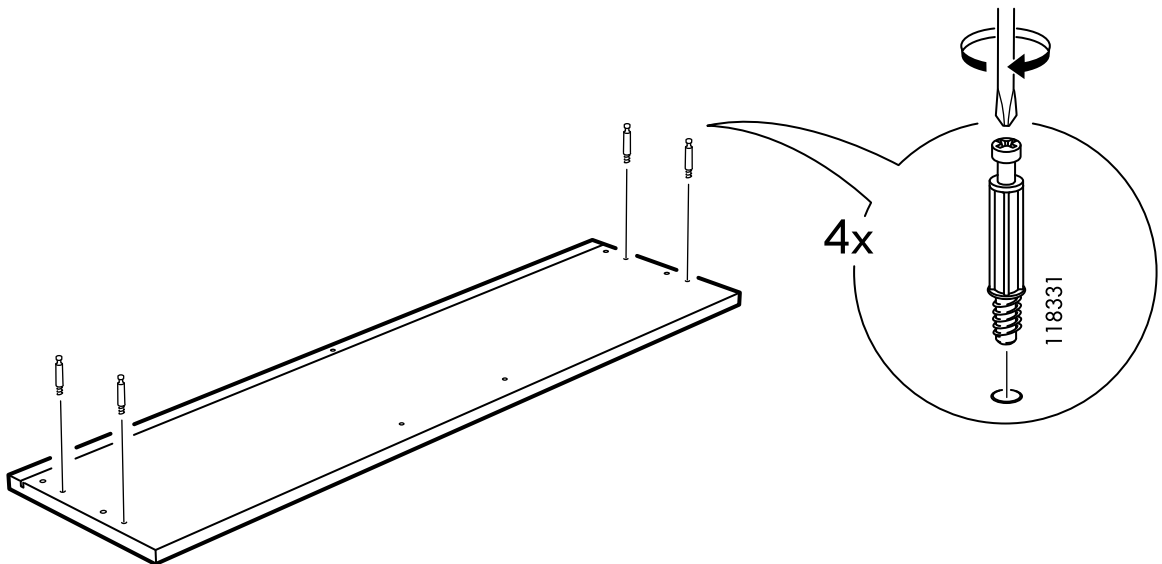


©

2x

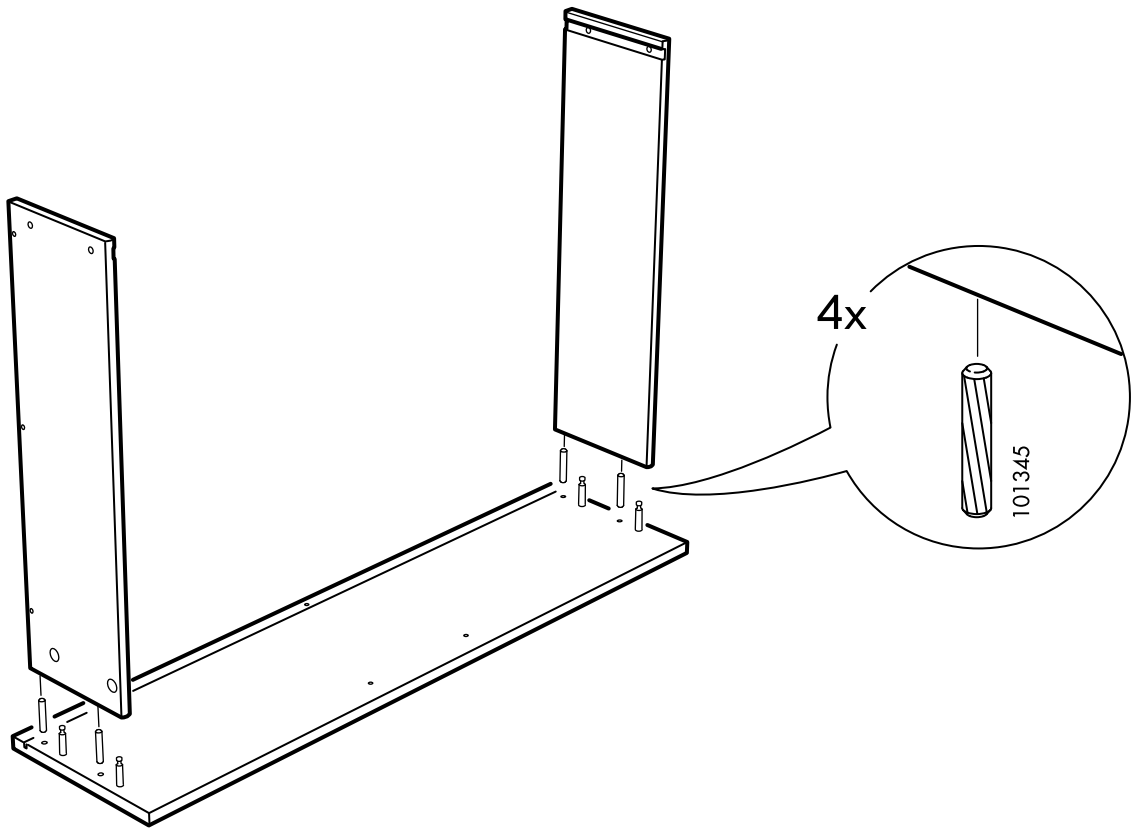


C1

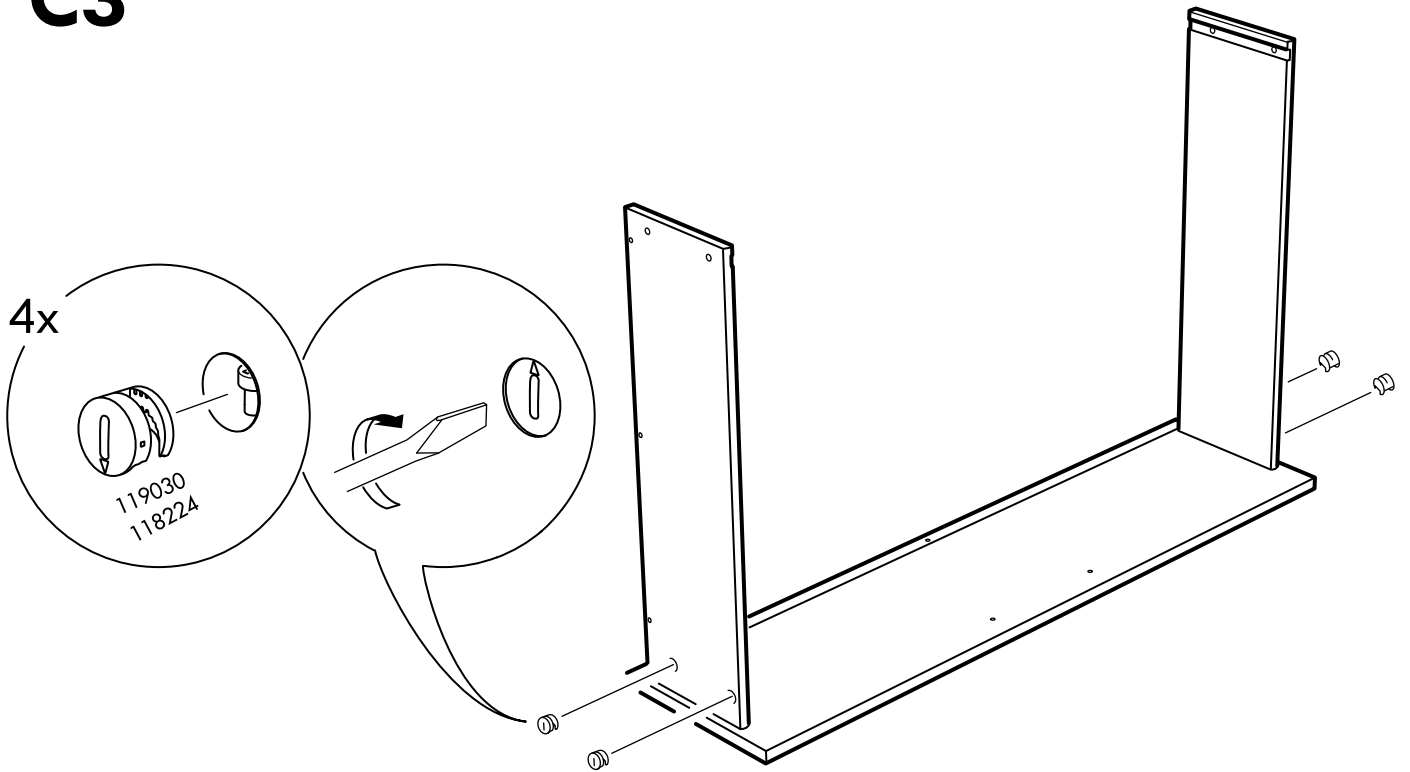




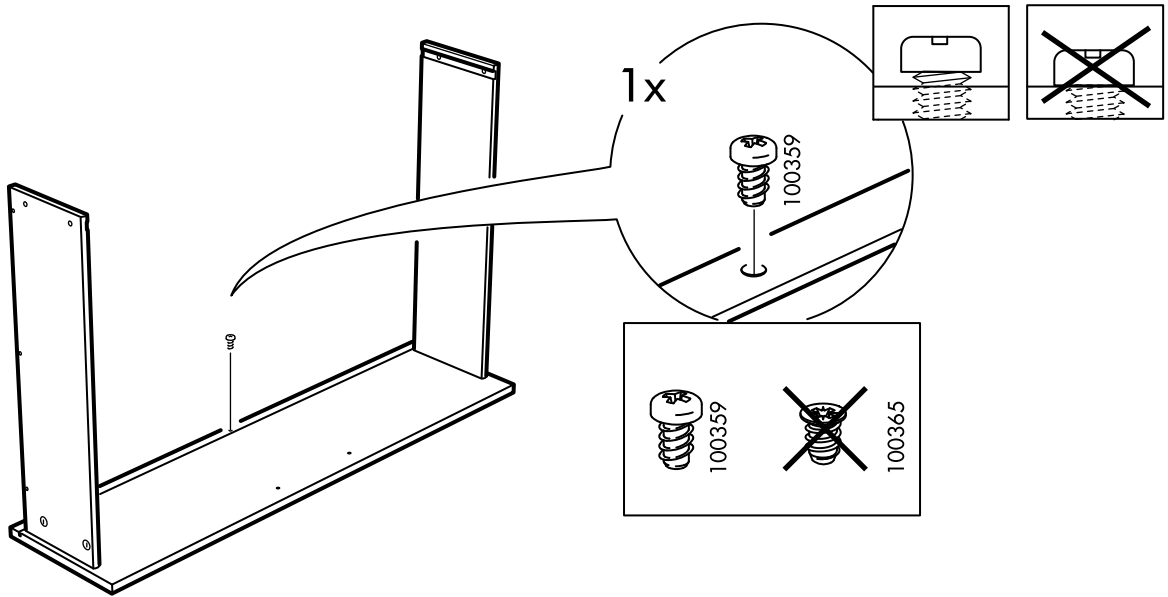
# C2



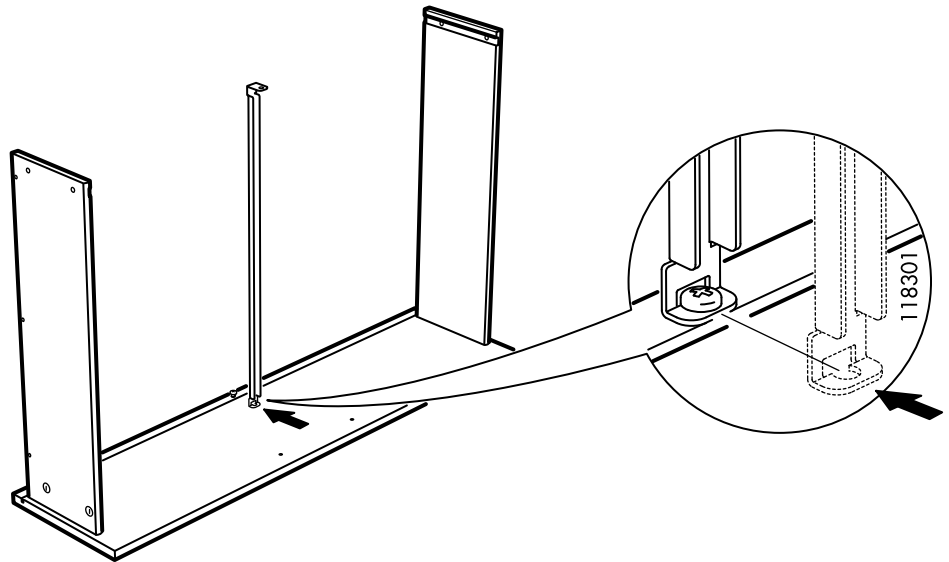
# C3



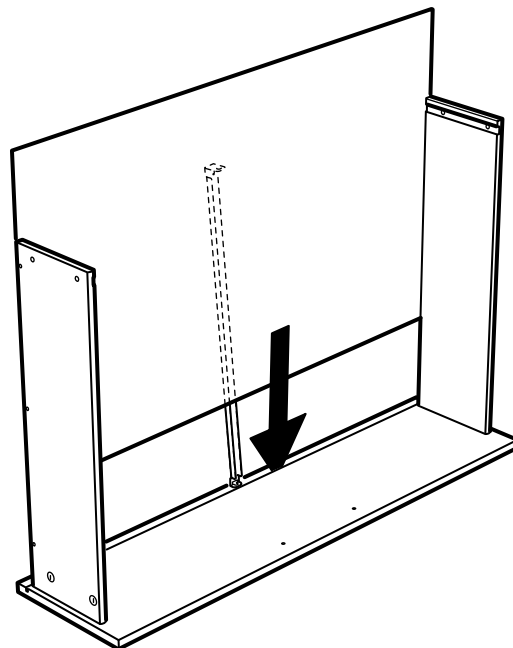
# C4



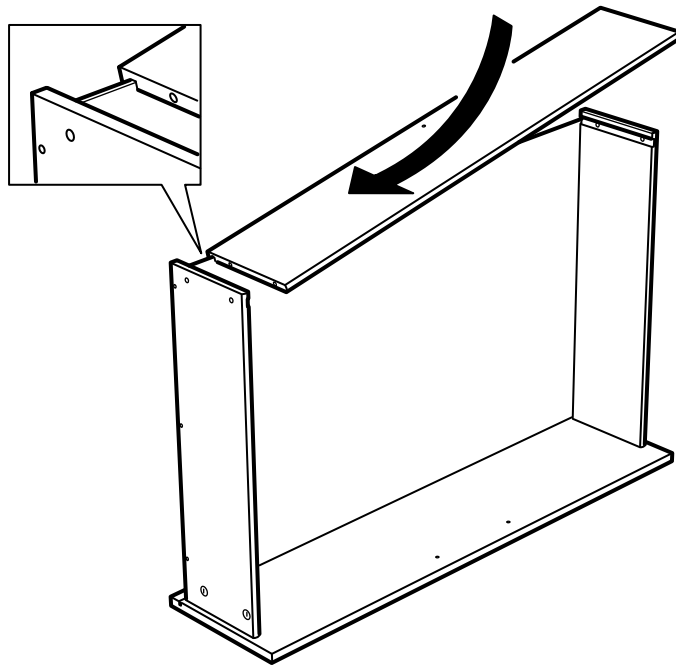
# C5



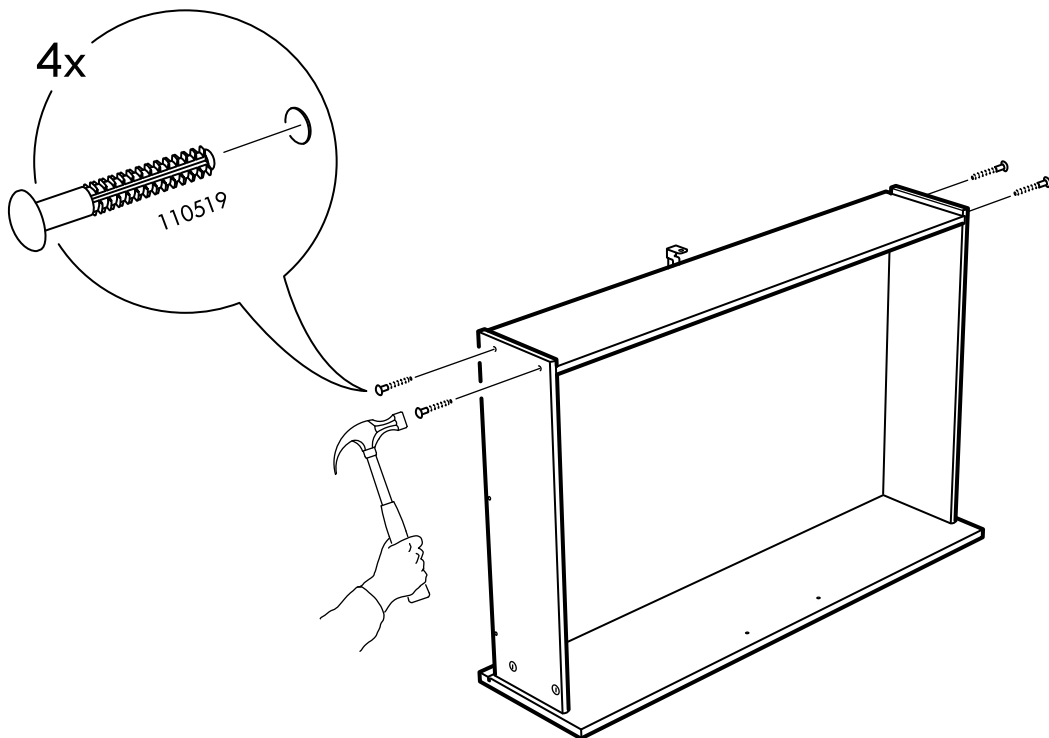
# C6



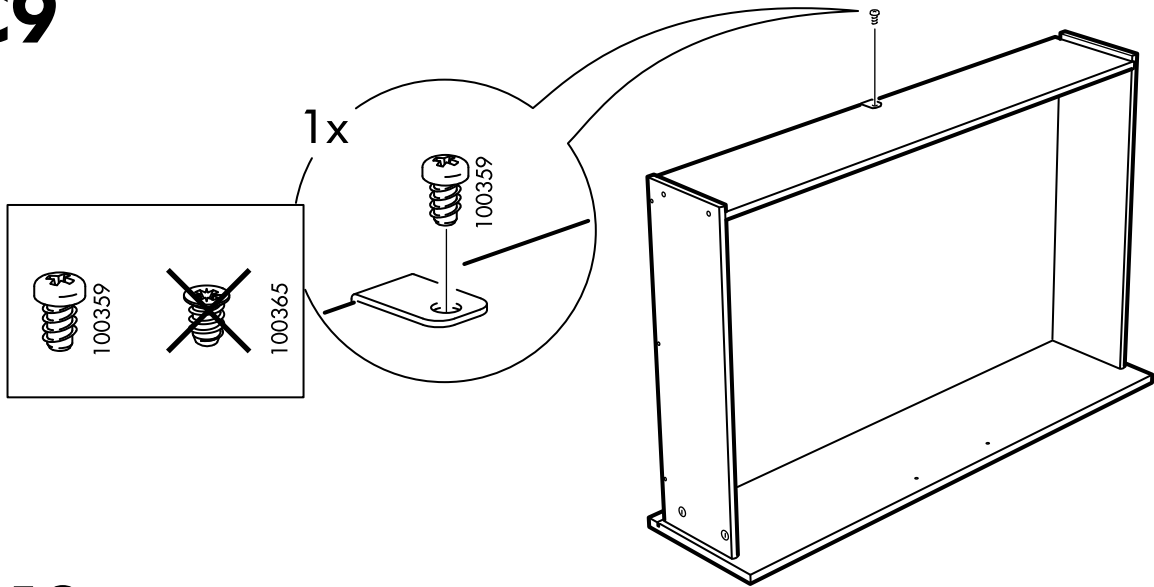
**C7**



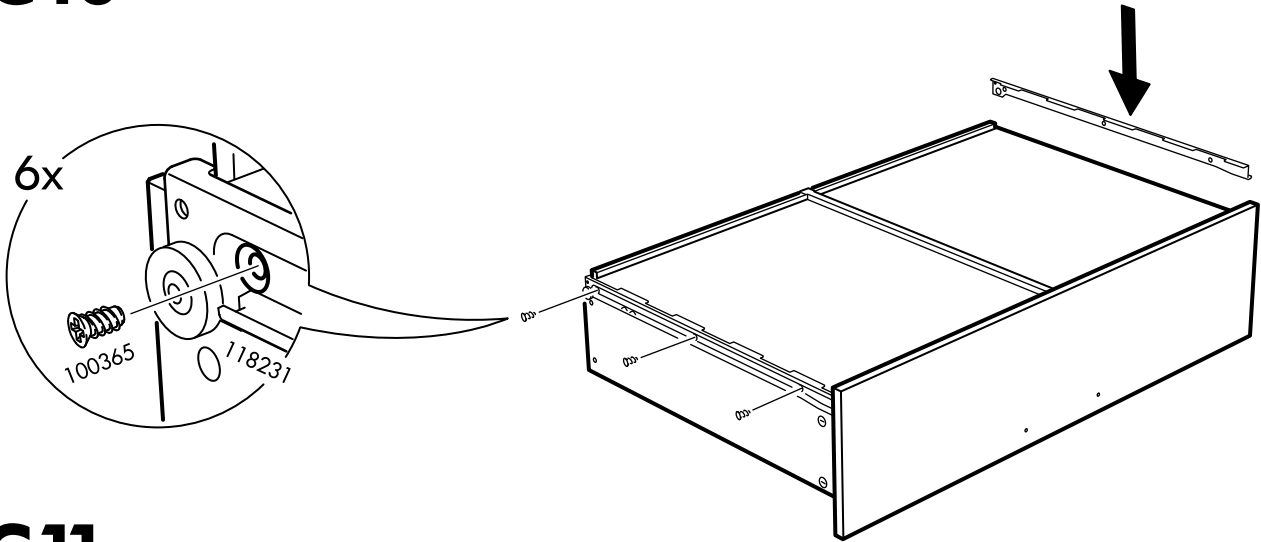
**C8**



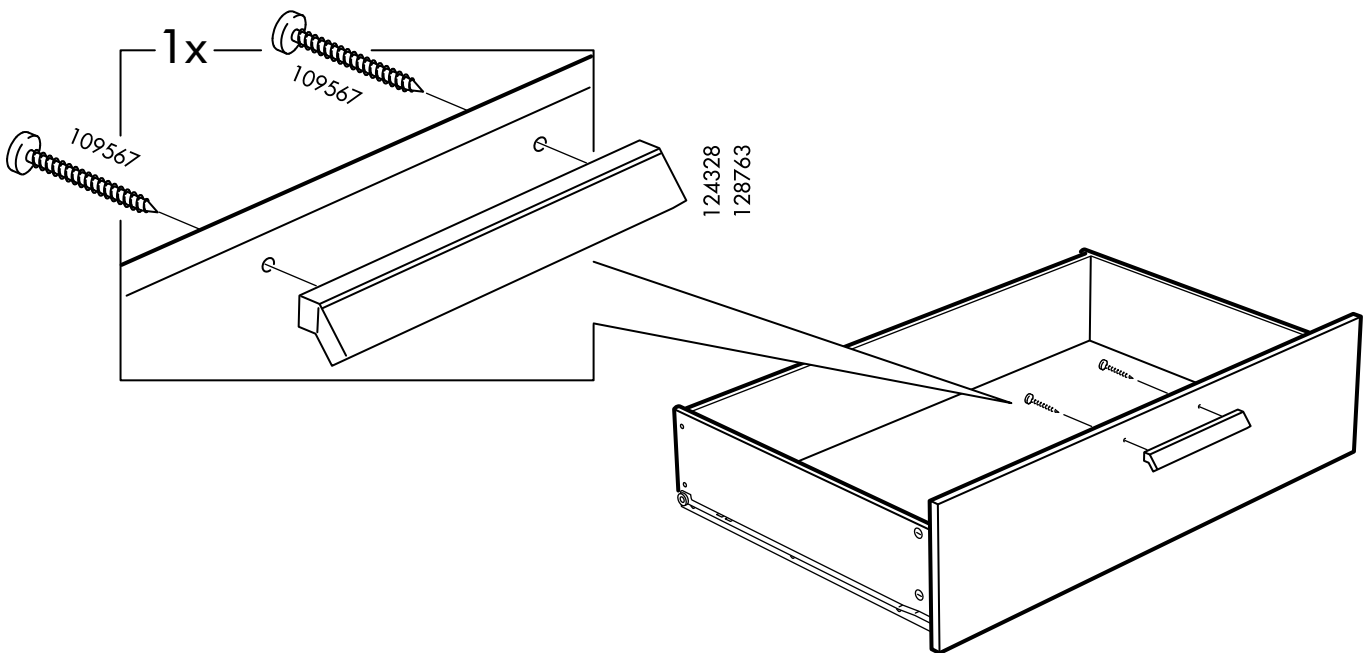
# C9



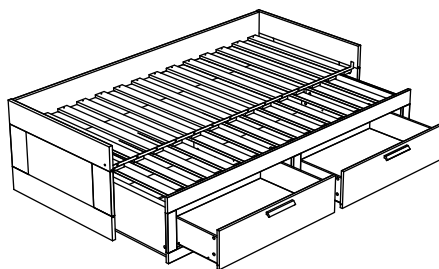
# C10



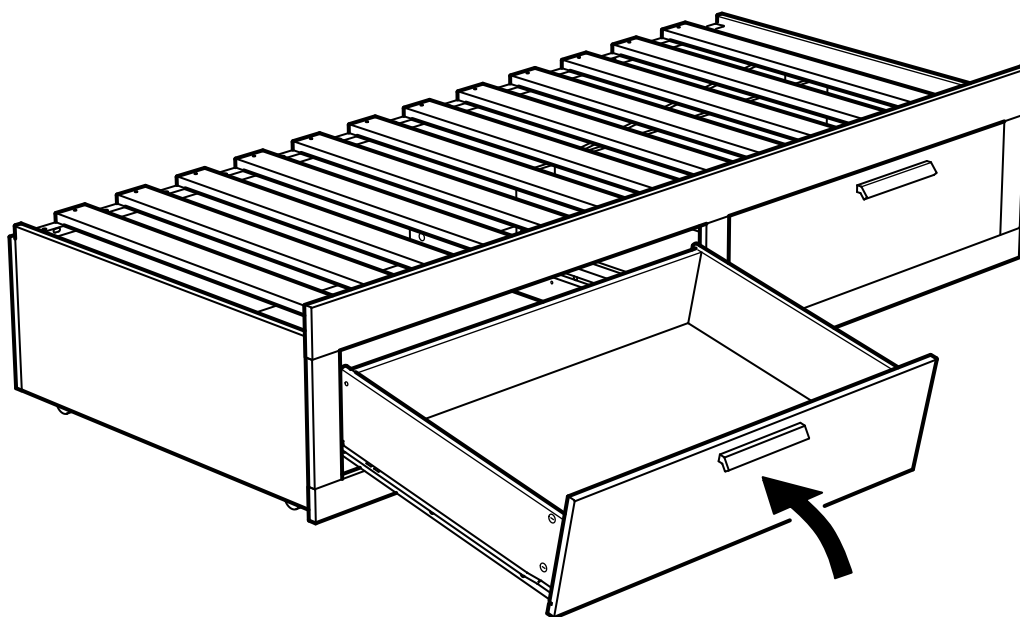
# C11



Ⓐ + Ⓑ + Ⓒ =



**1**



# 2

