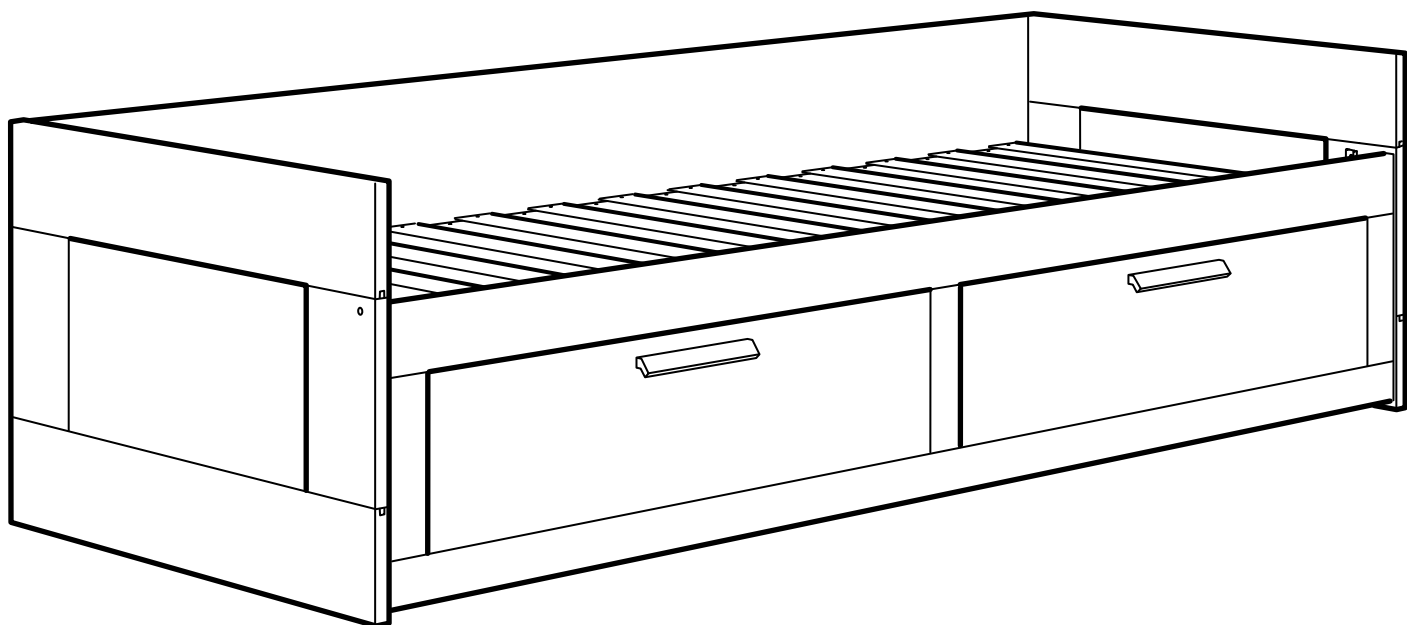
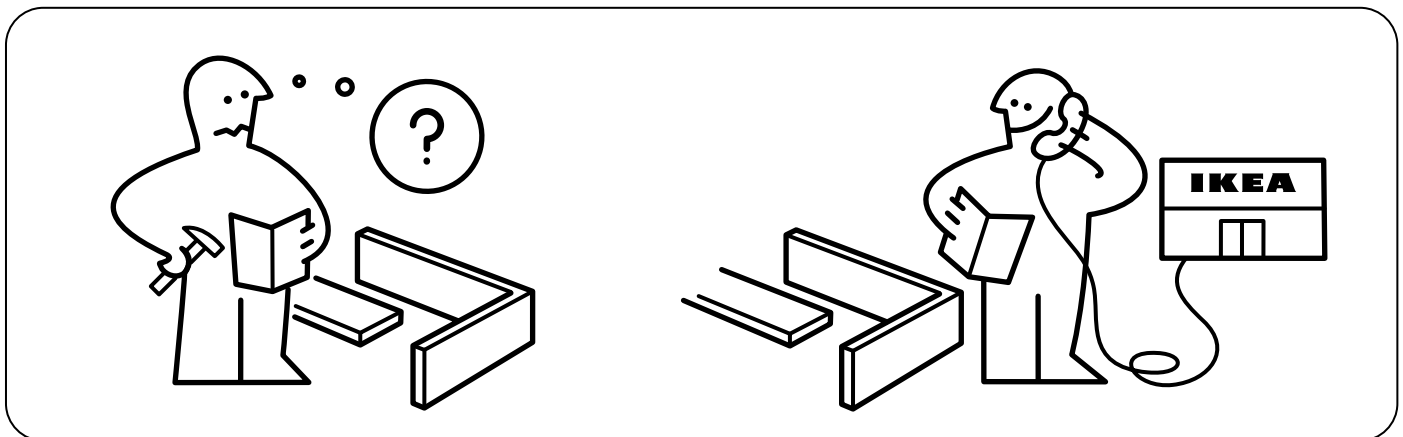
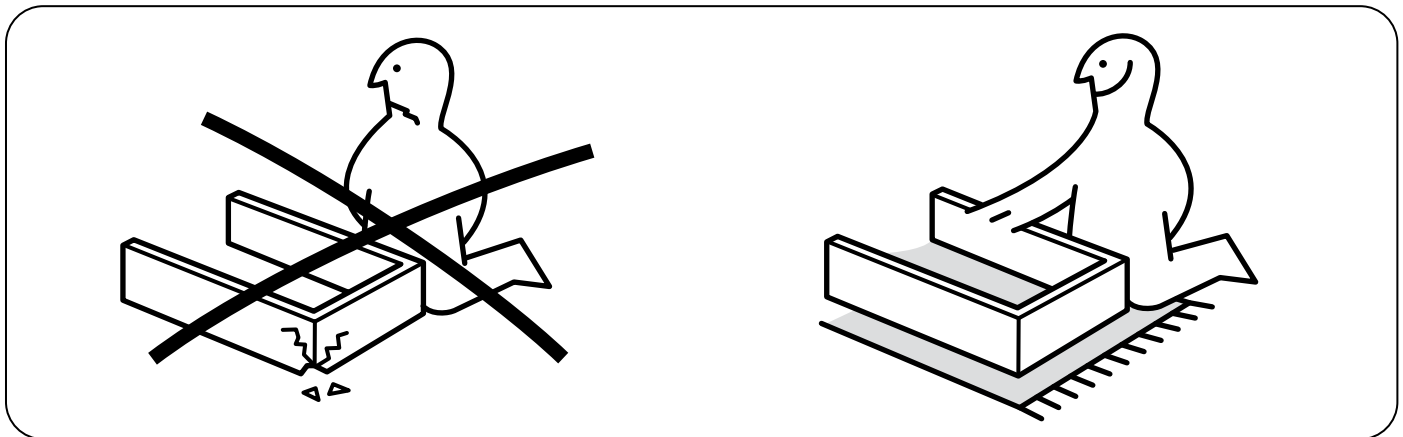
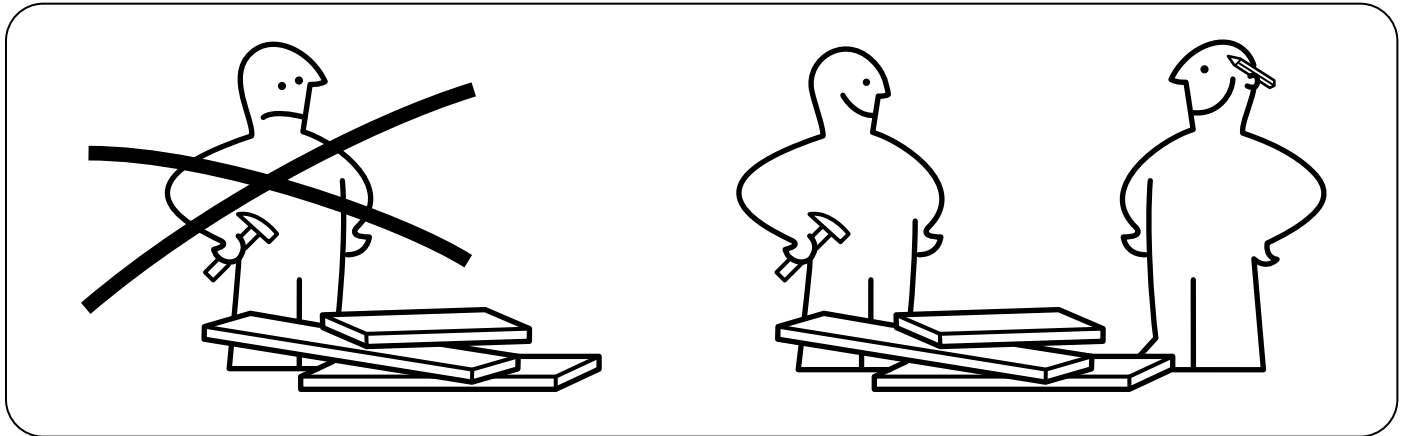
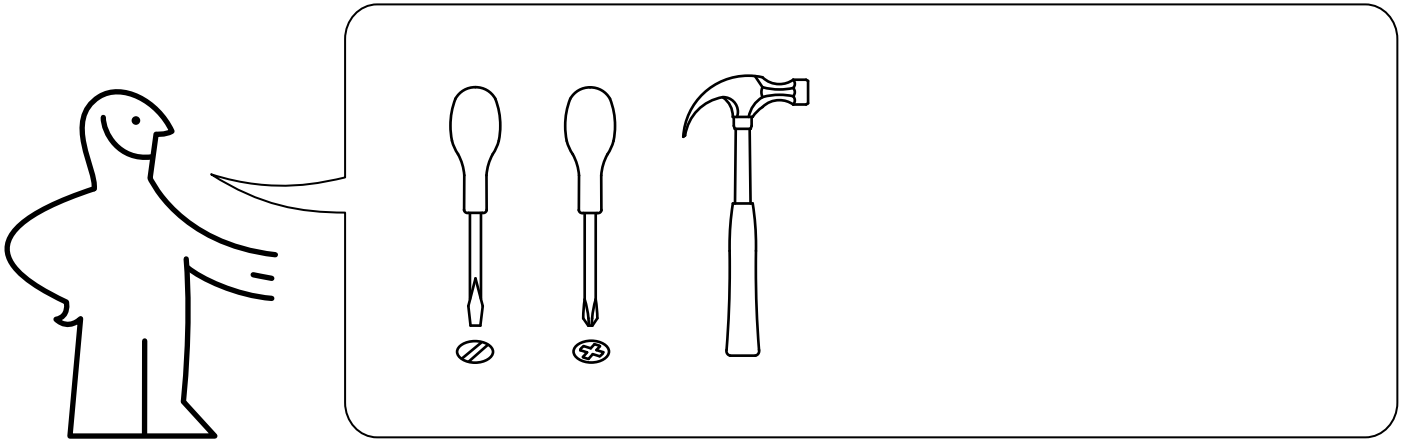
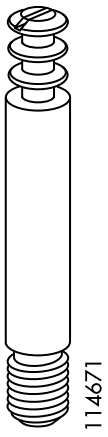


BRIMNES



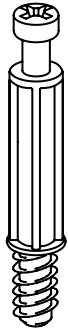
Design and Quality
IKEA of Sweden





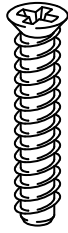
114671

4x



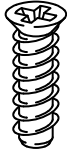
118331

22x



102138

6x



100372

10x



100365

12x



116894

54x



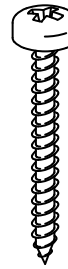
100359

4x



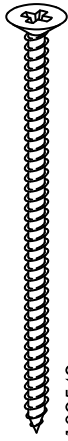
105163

2x



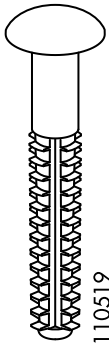
109567

16x



109542

6x



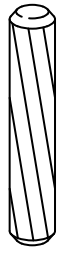
110519

8x



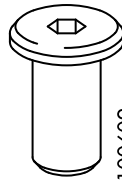
101359

4x



101345

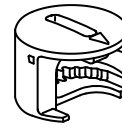
32x



100602

2x

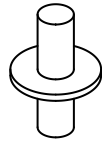
117056



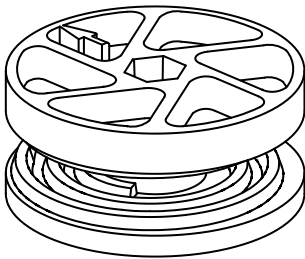
119030

22x

118224

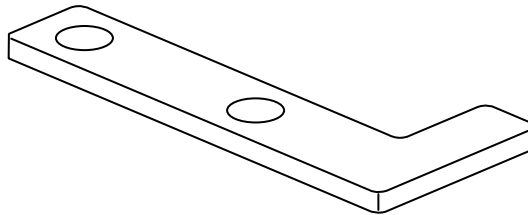


110525



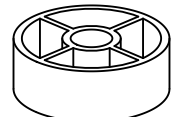
114670

4x



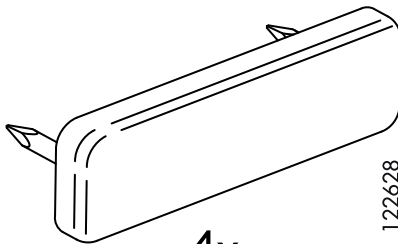
123660

2x



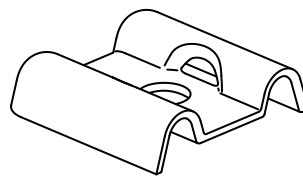
110646

6x



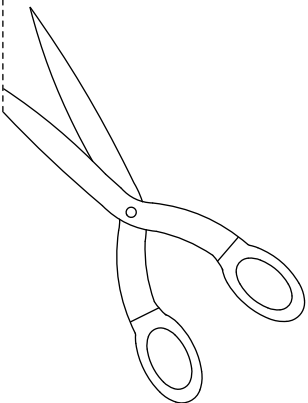
122628

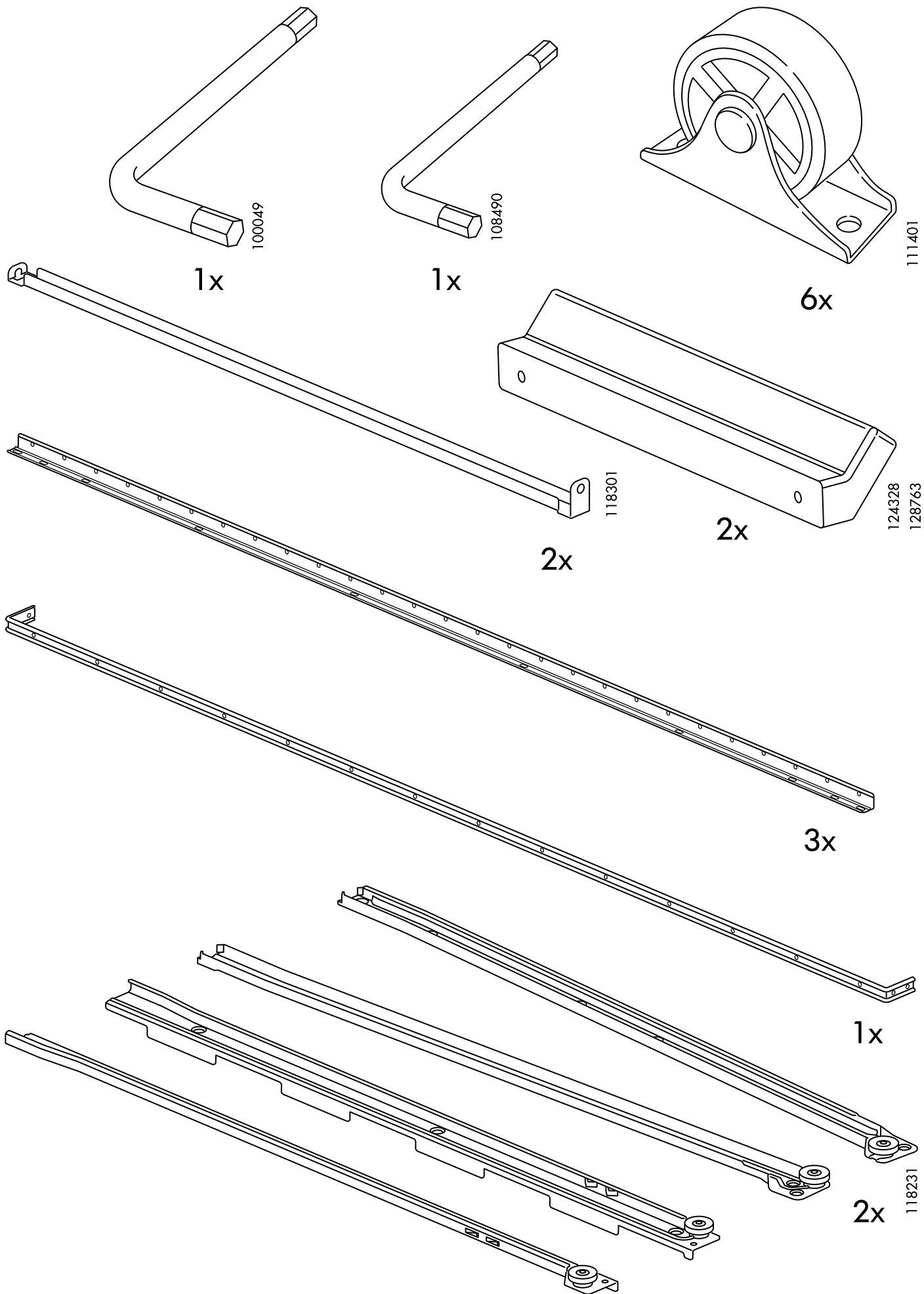
4x

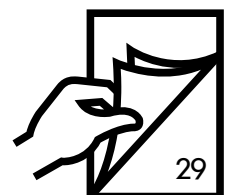
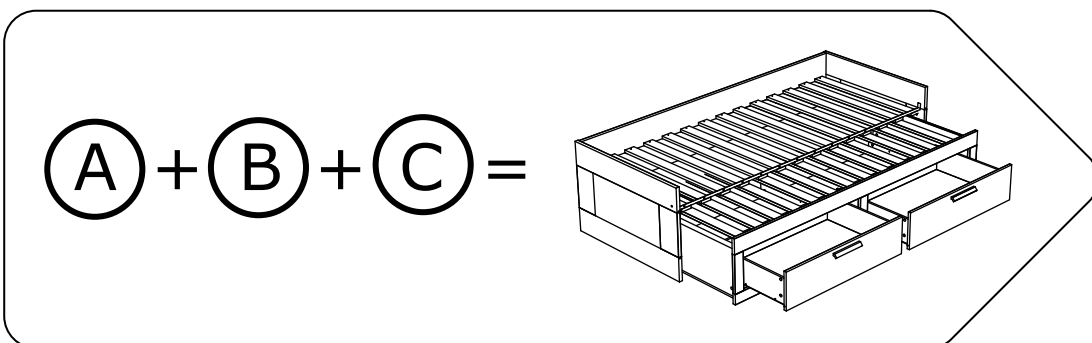
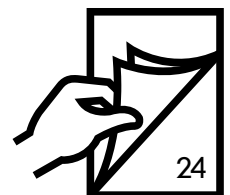
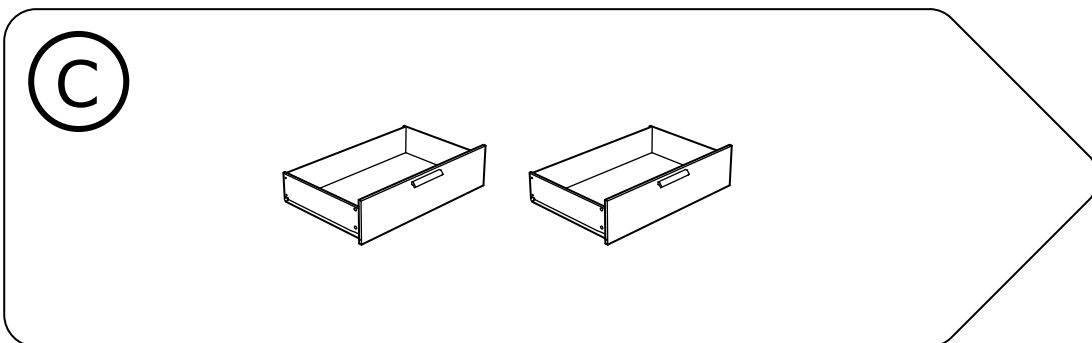
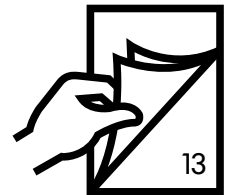
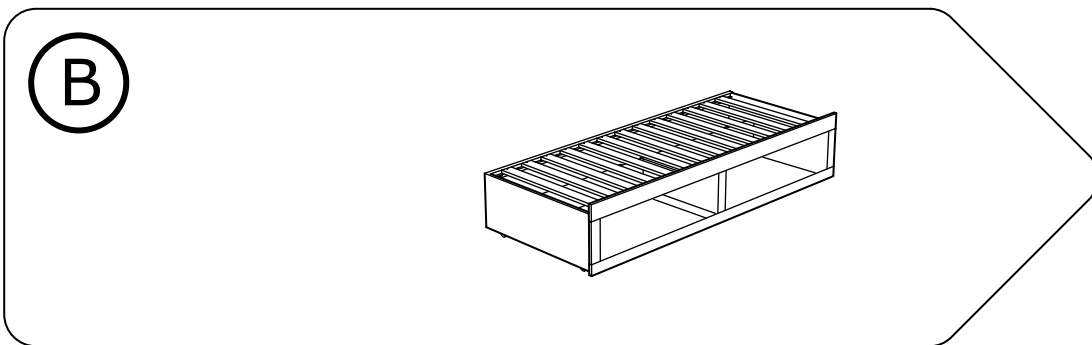
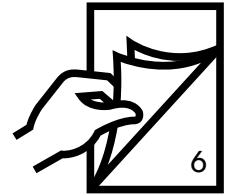
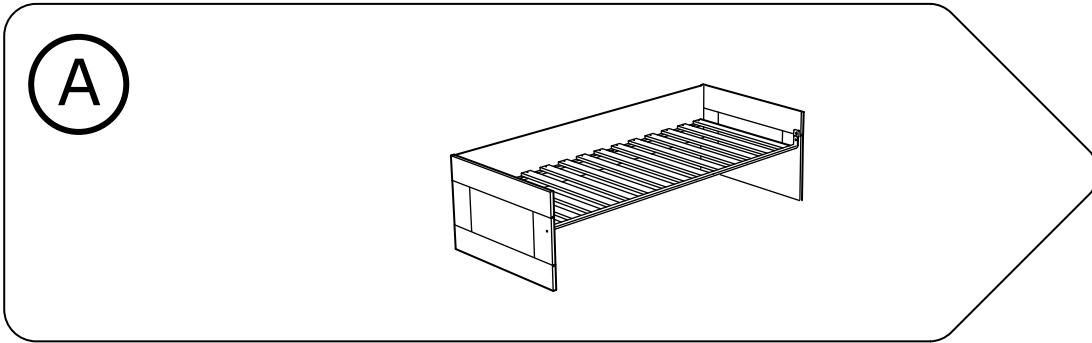
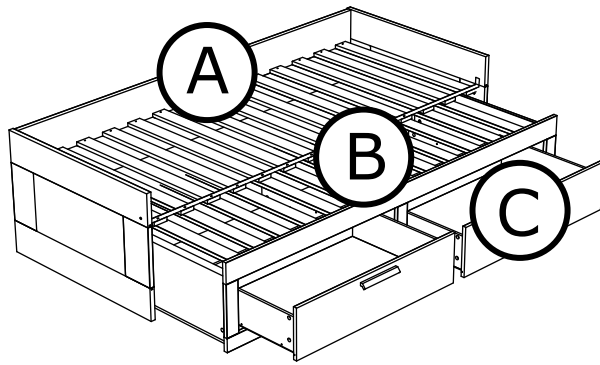


130485

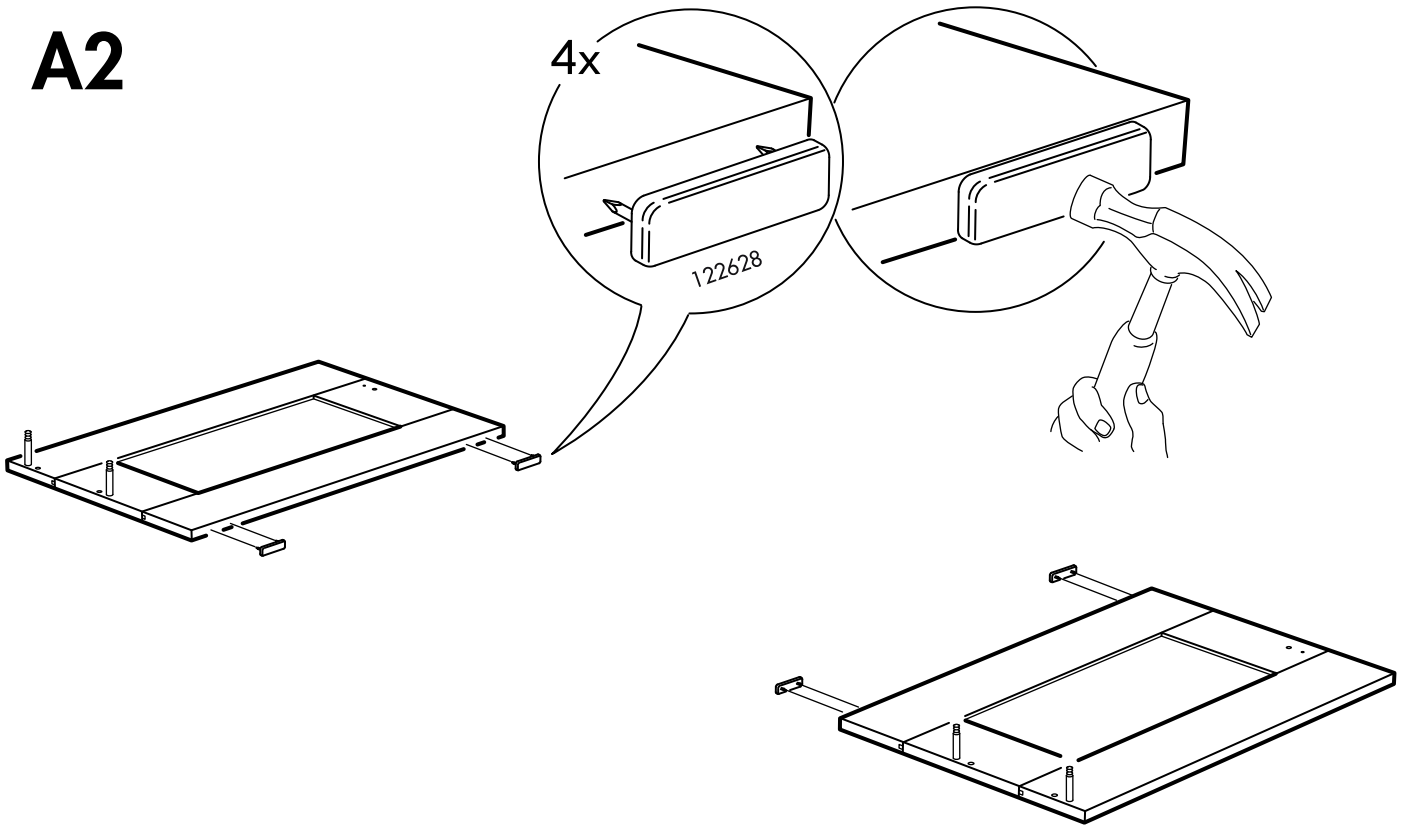
2x



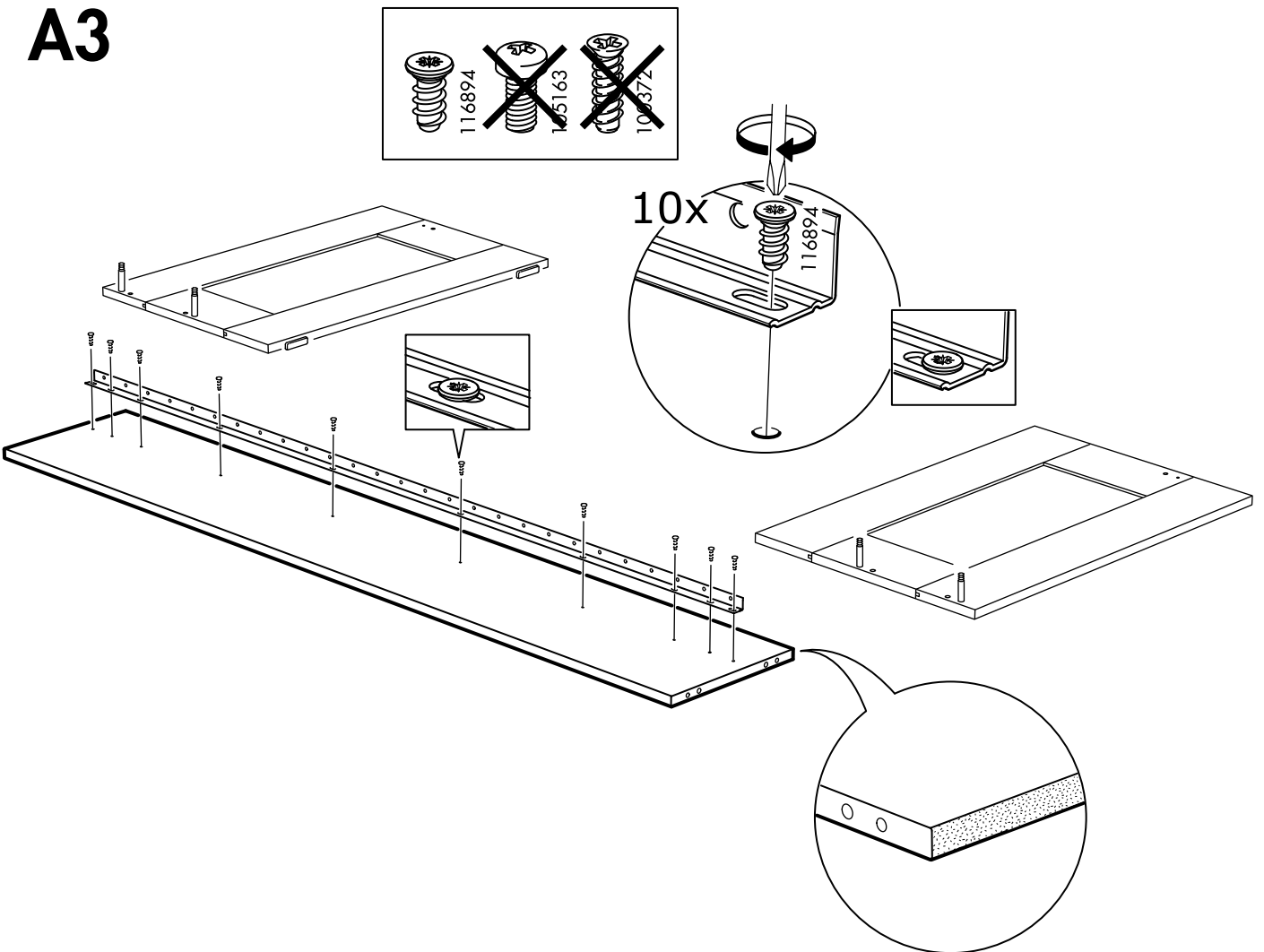




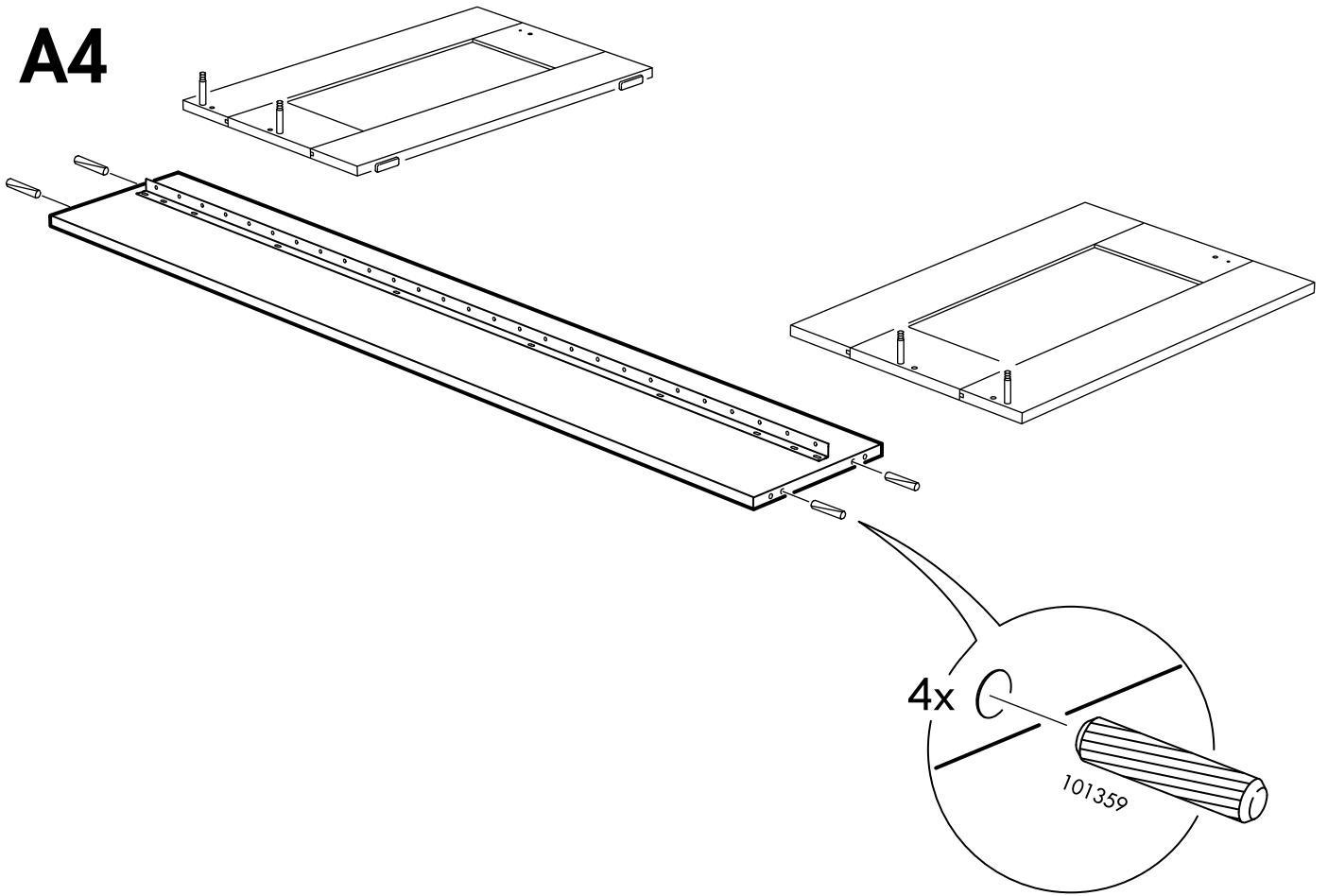
A2



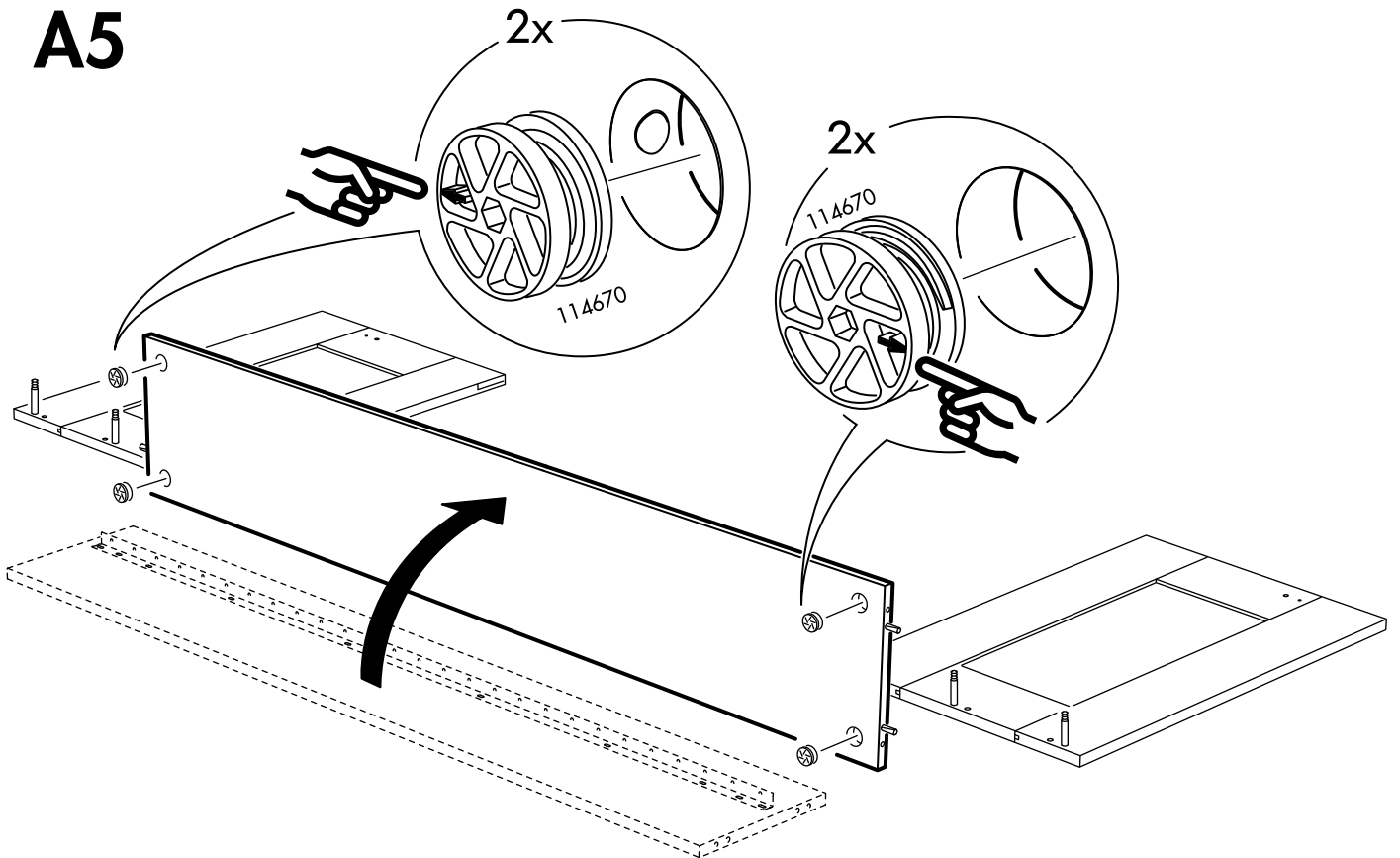
A3



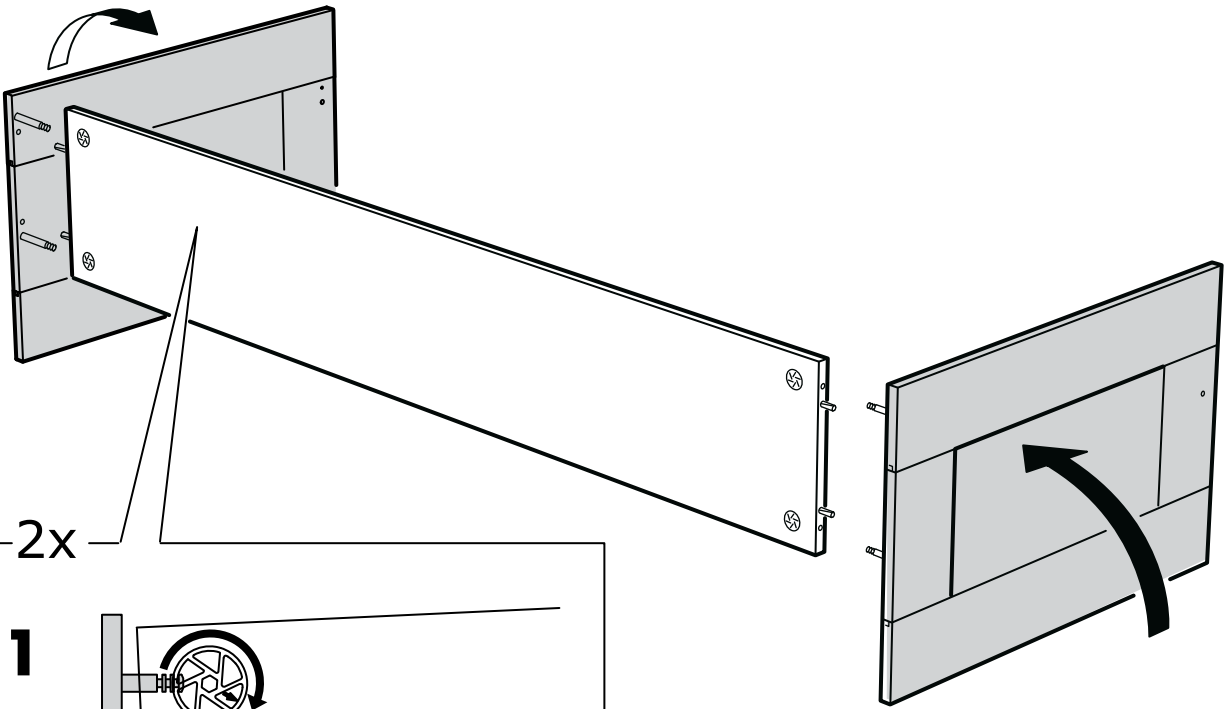
A4



A5

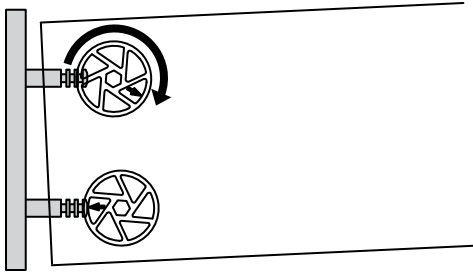


A6

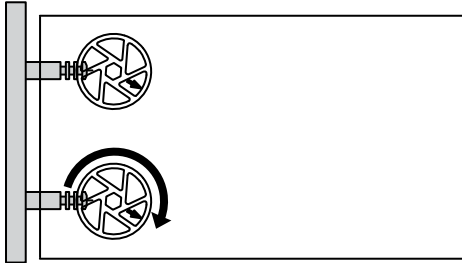


2x

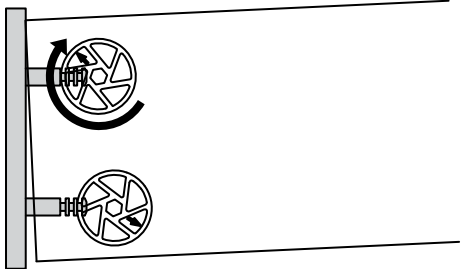
1



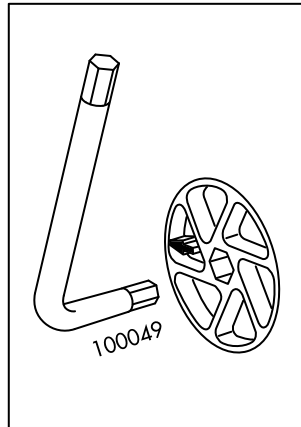
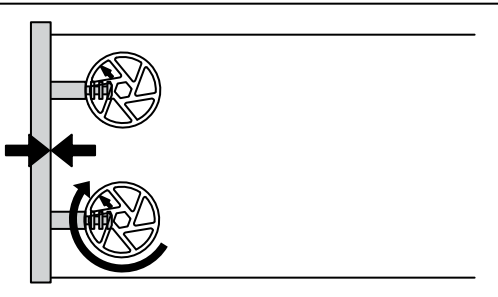
2



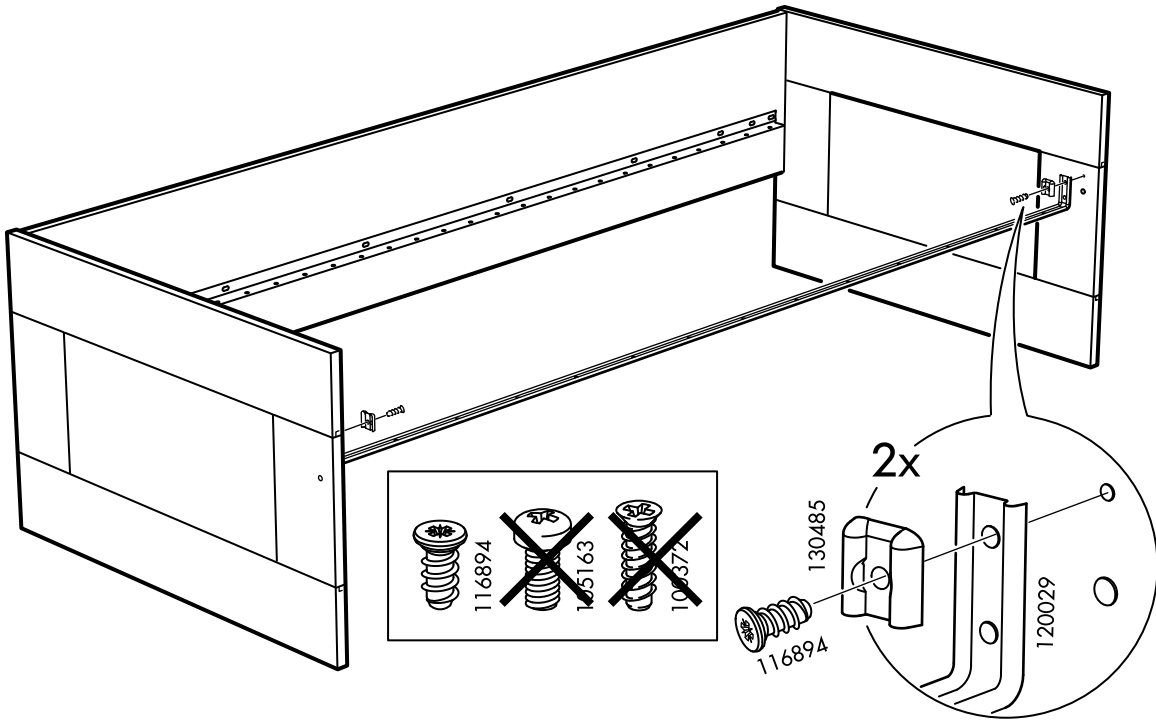
3



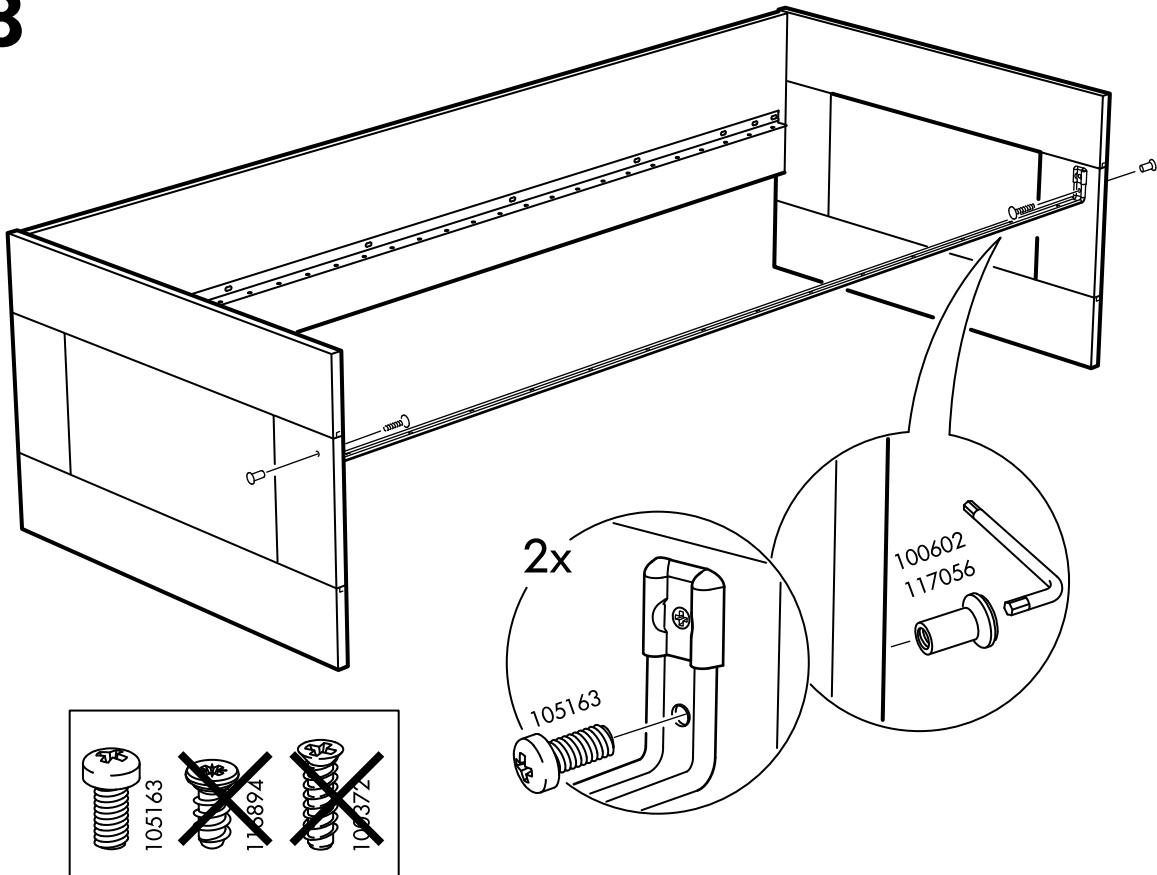
4

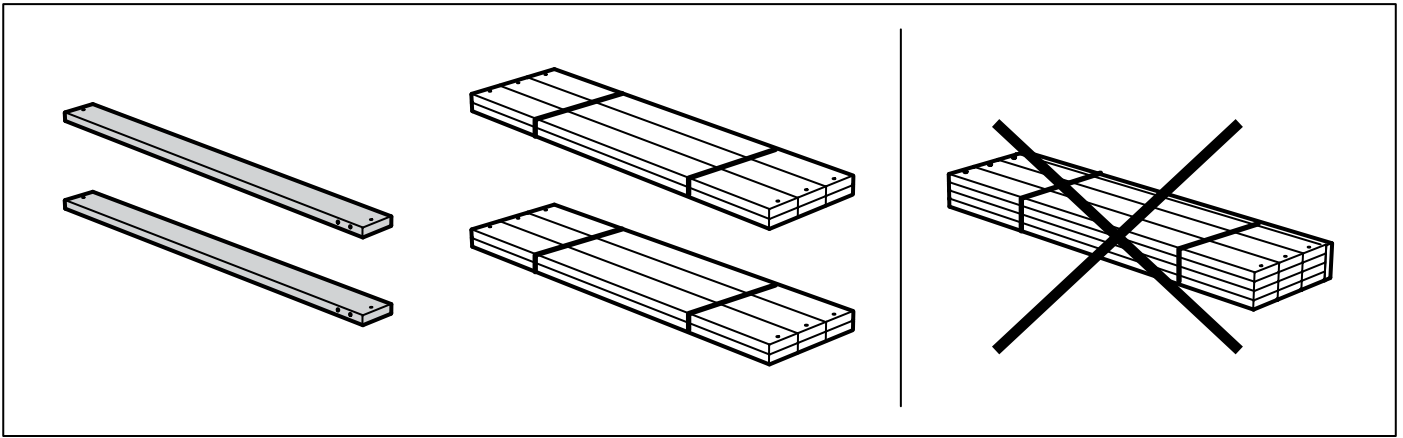


A7

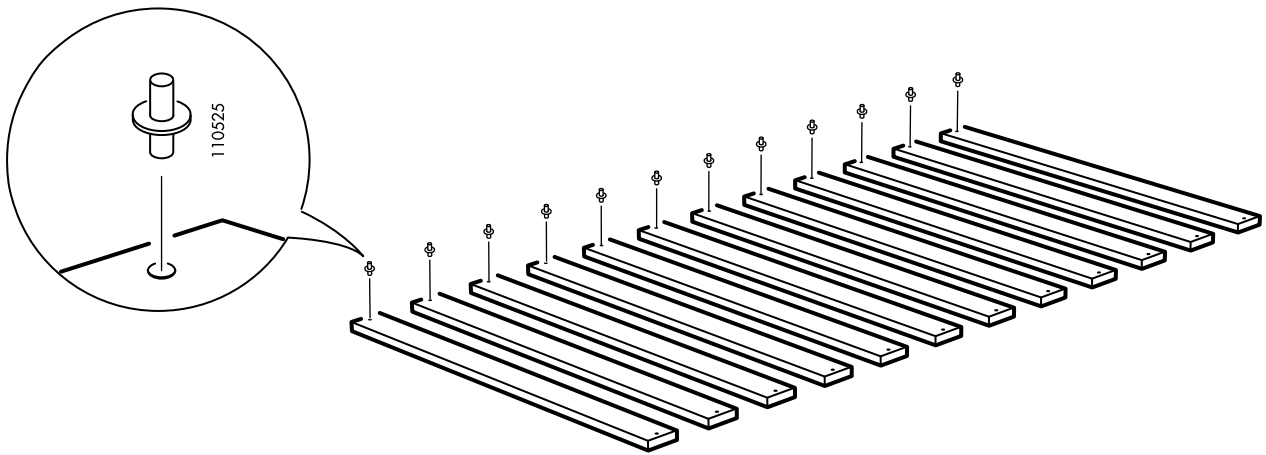


A8

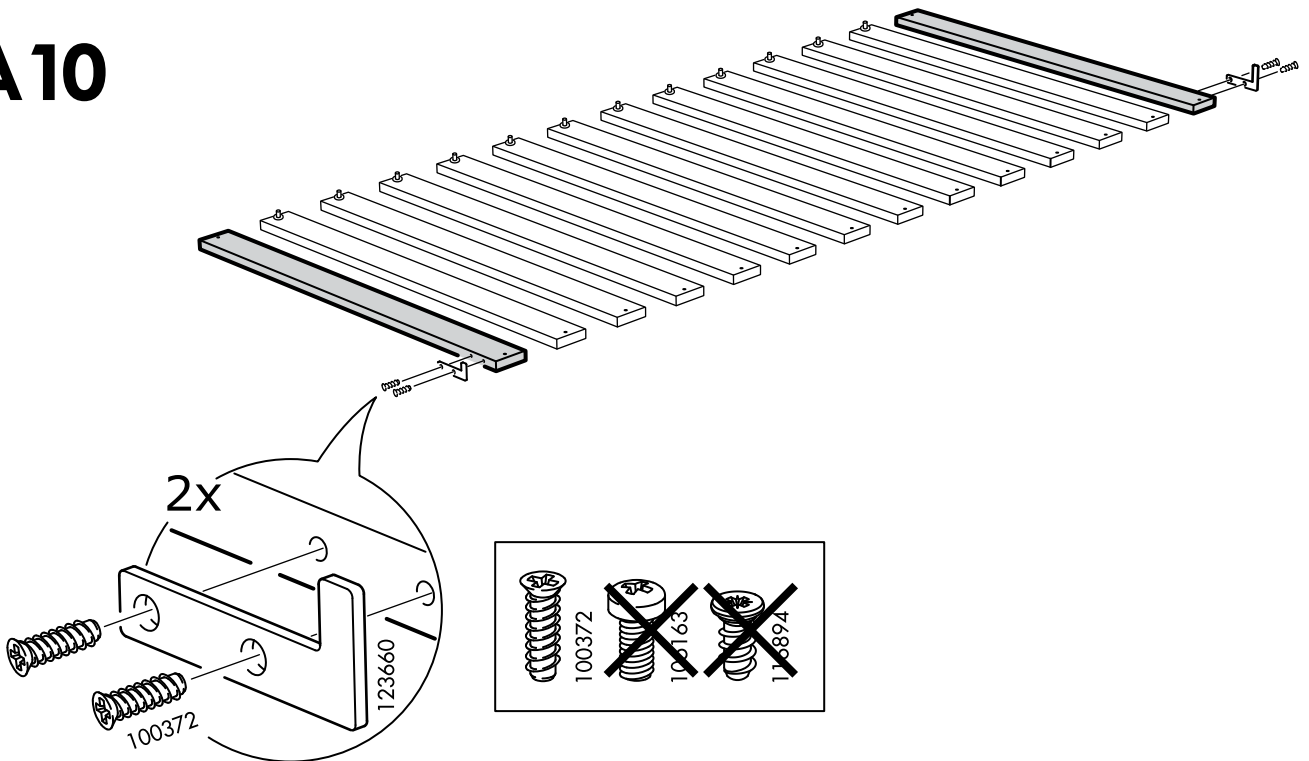


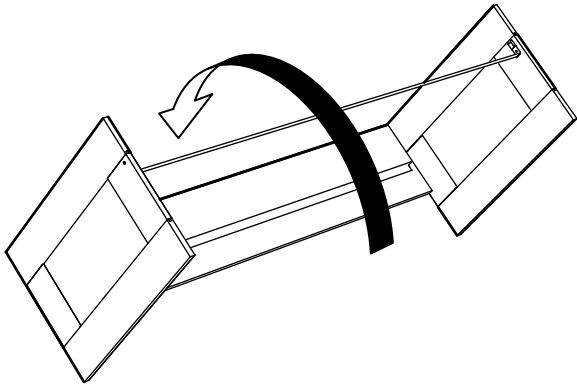


A9

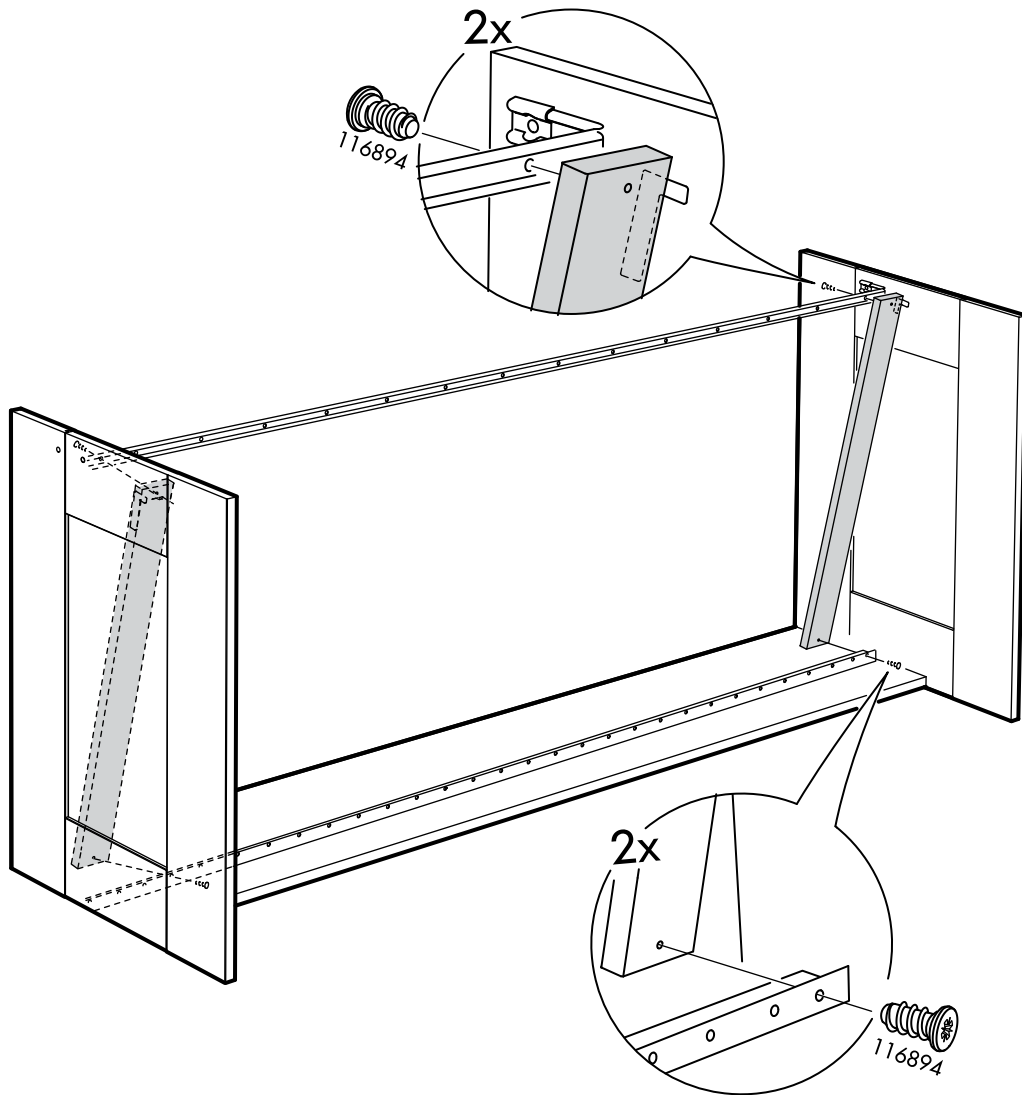


A10

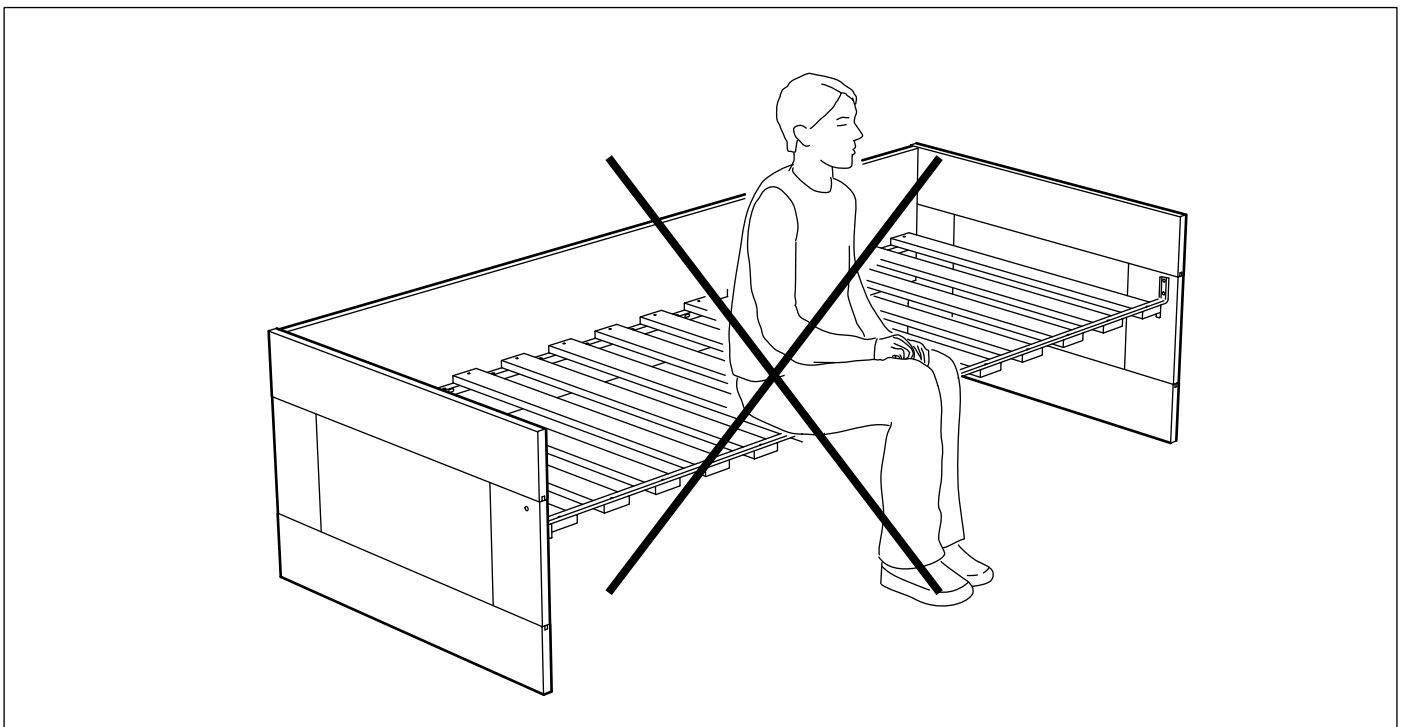
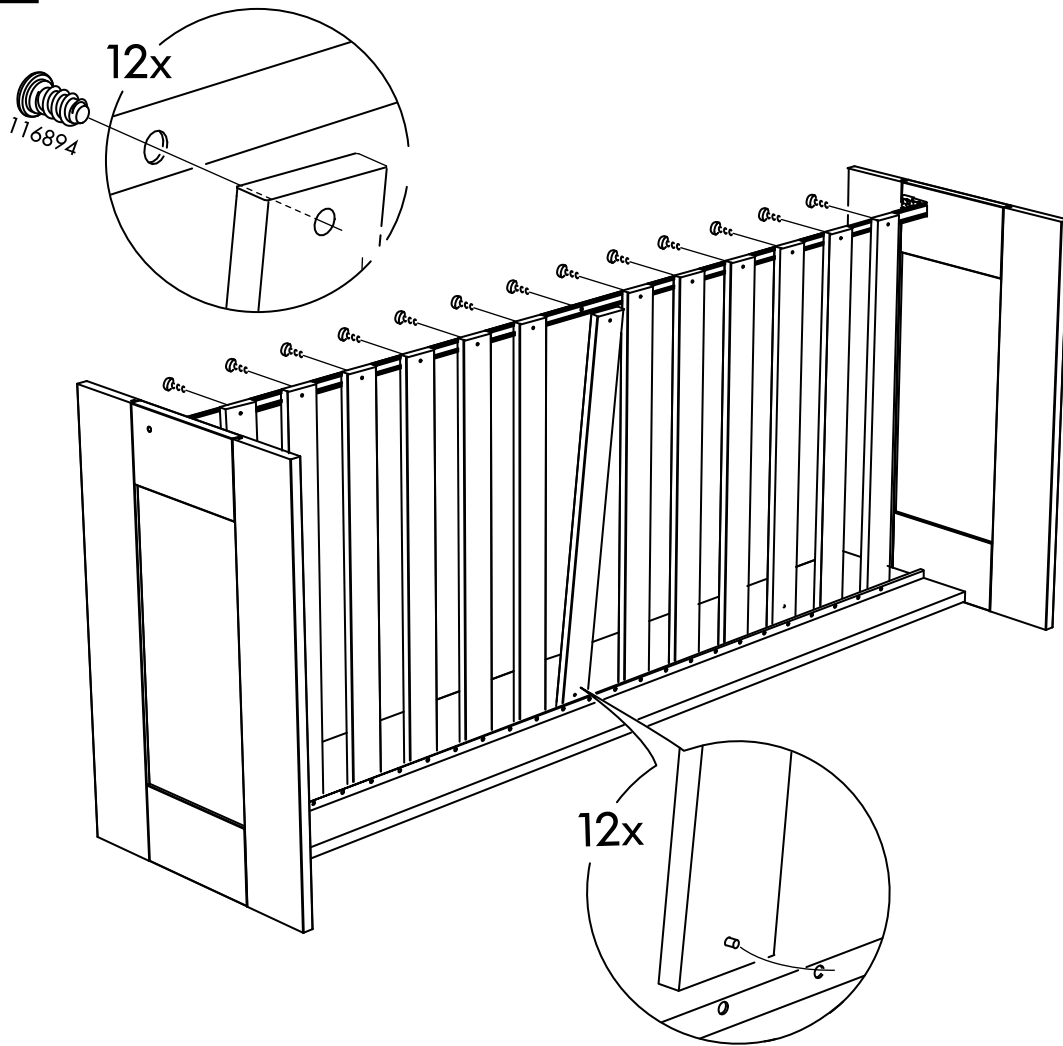




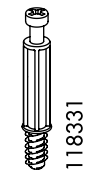
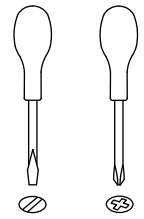
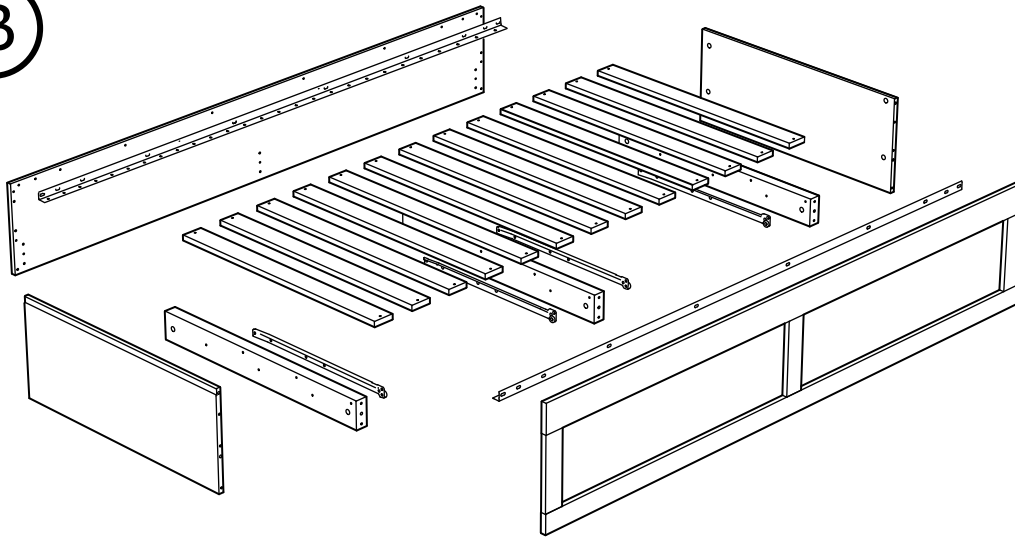
A11



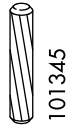
A12



B



14x



24x



14x



26x



6x



6x



12x



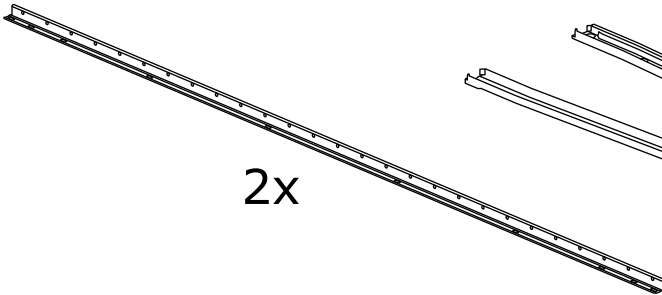
6x



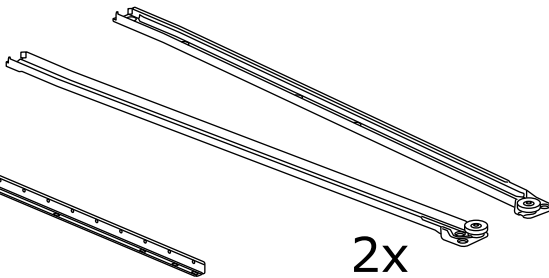
6x



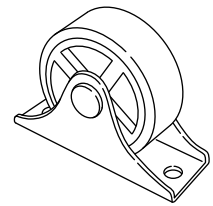
110525



2x

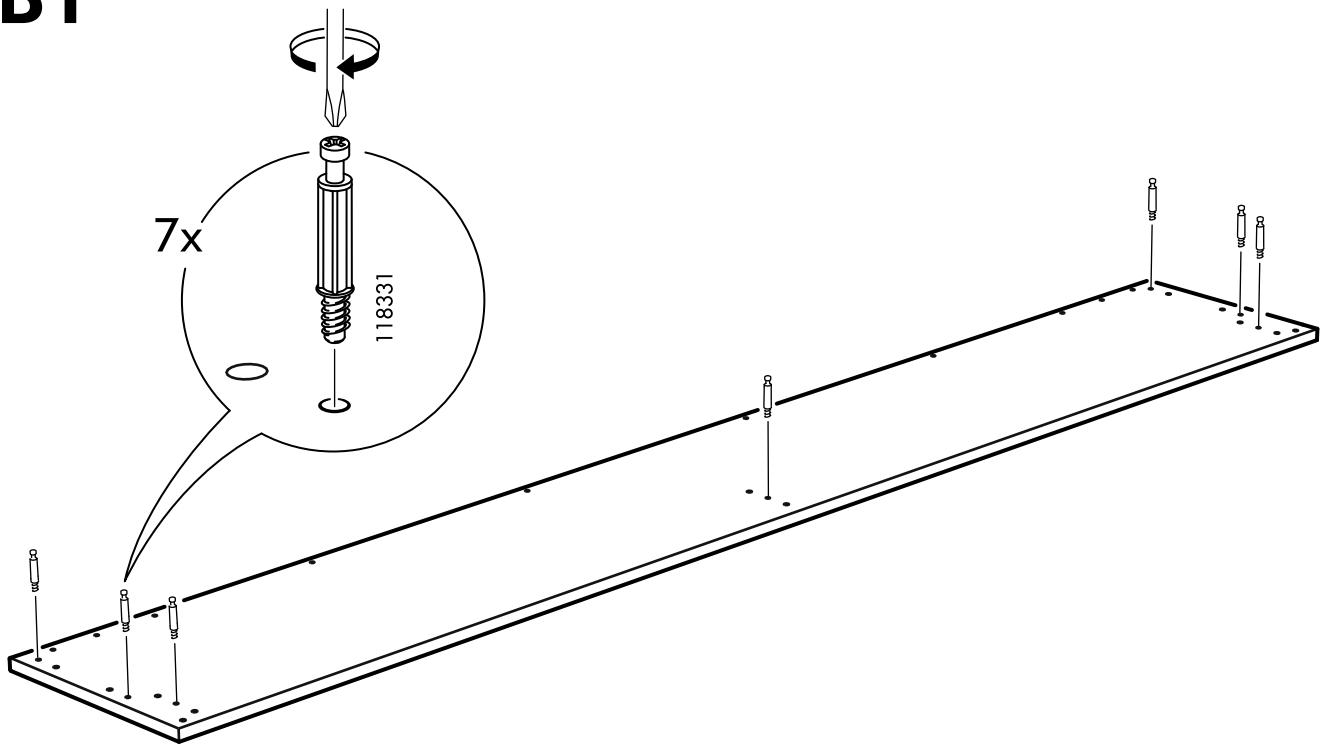


2x

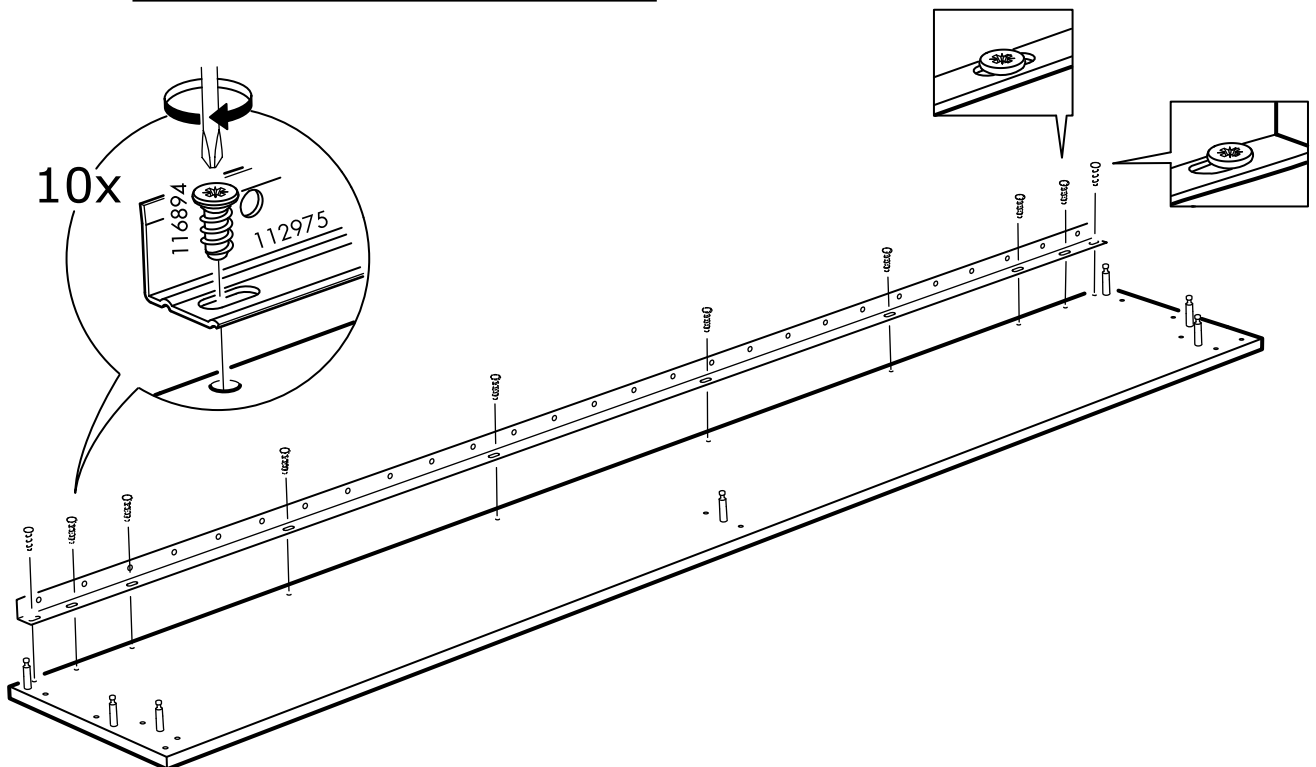
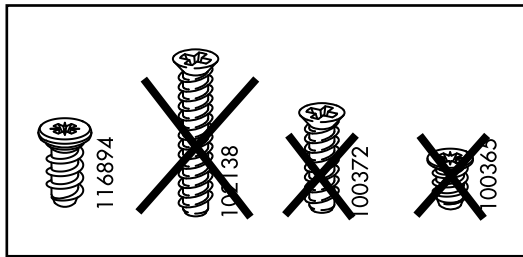


6x

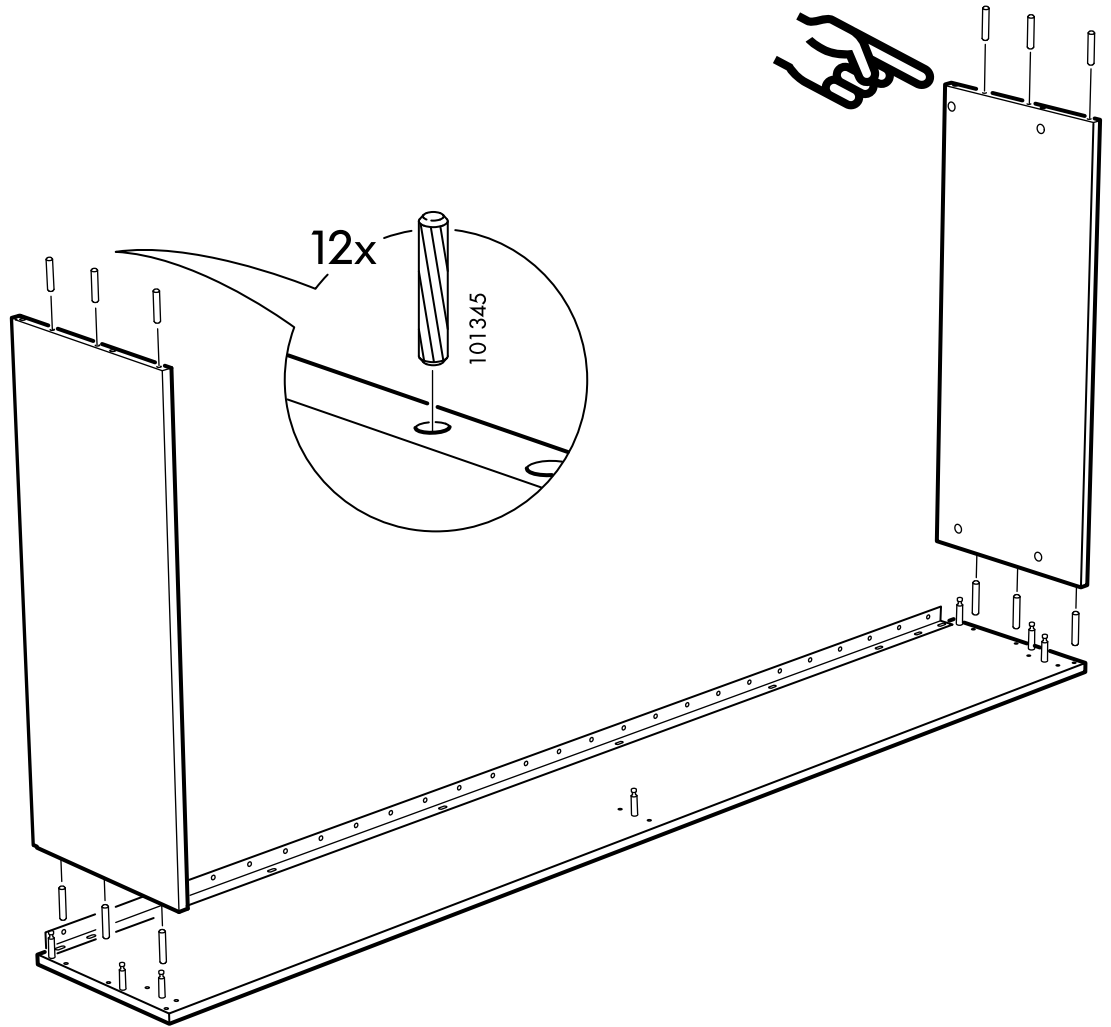
B1



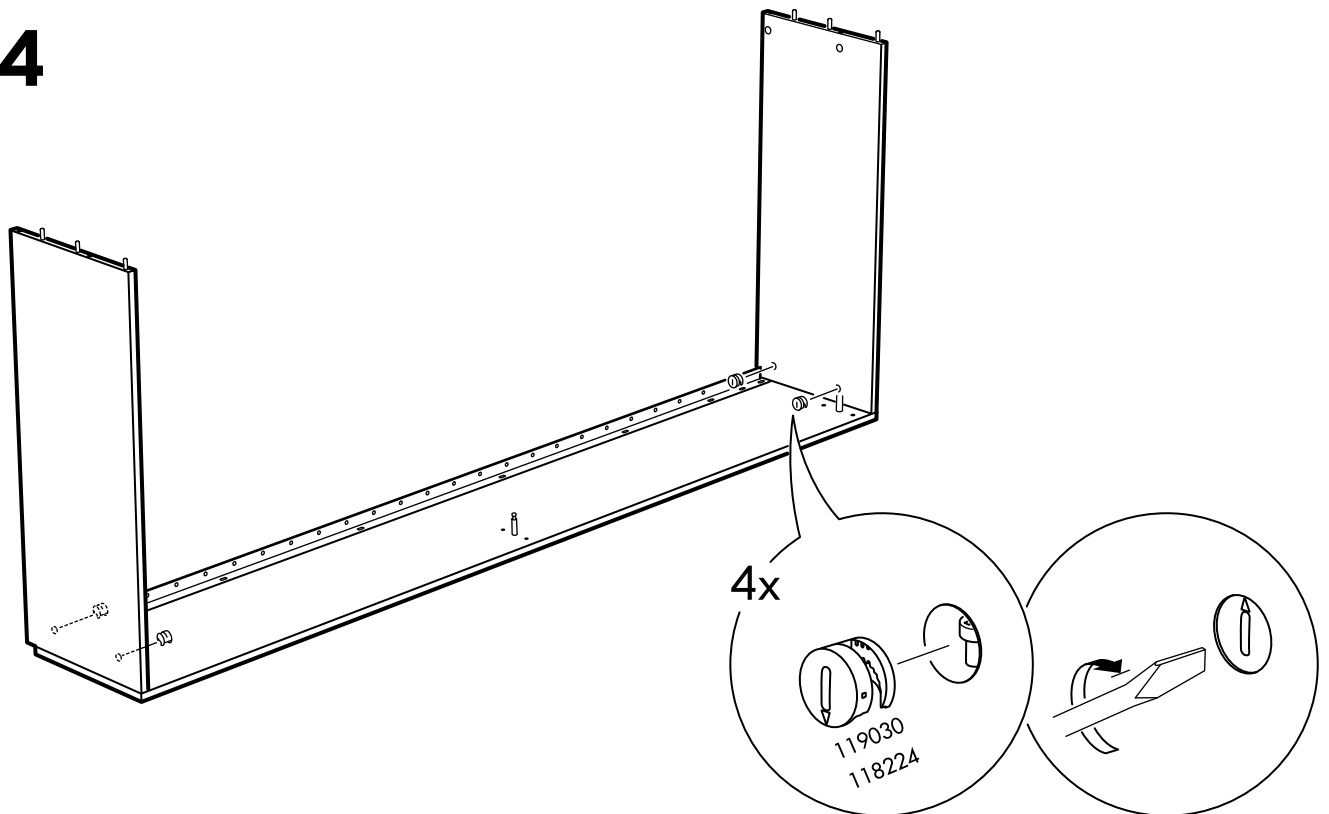
B2



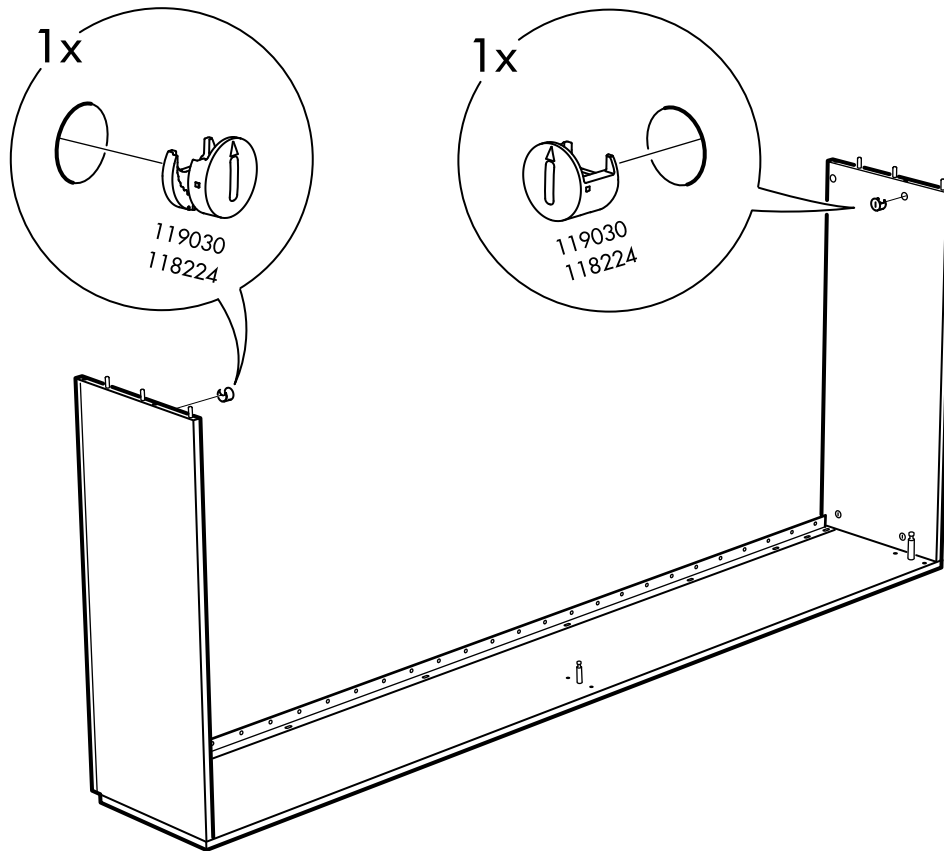
B3



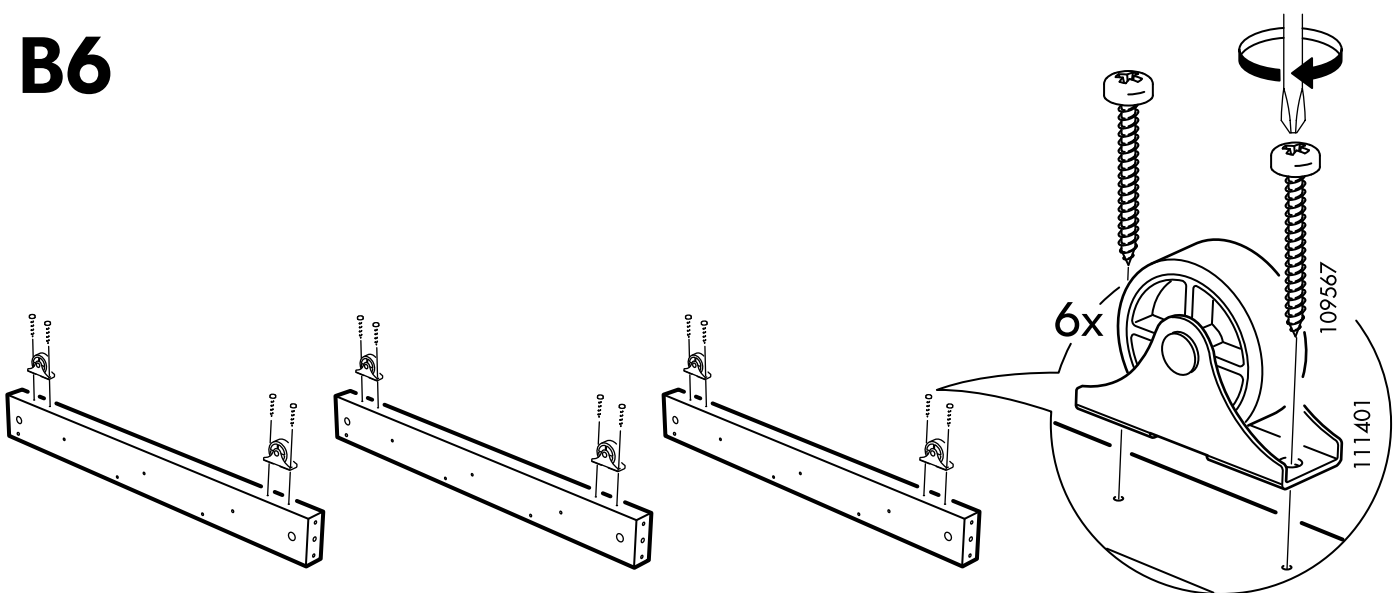
B4



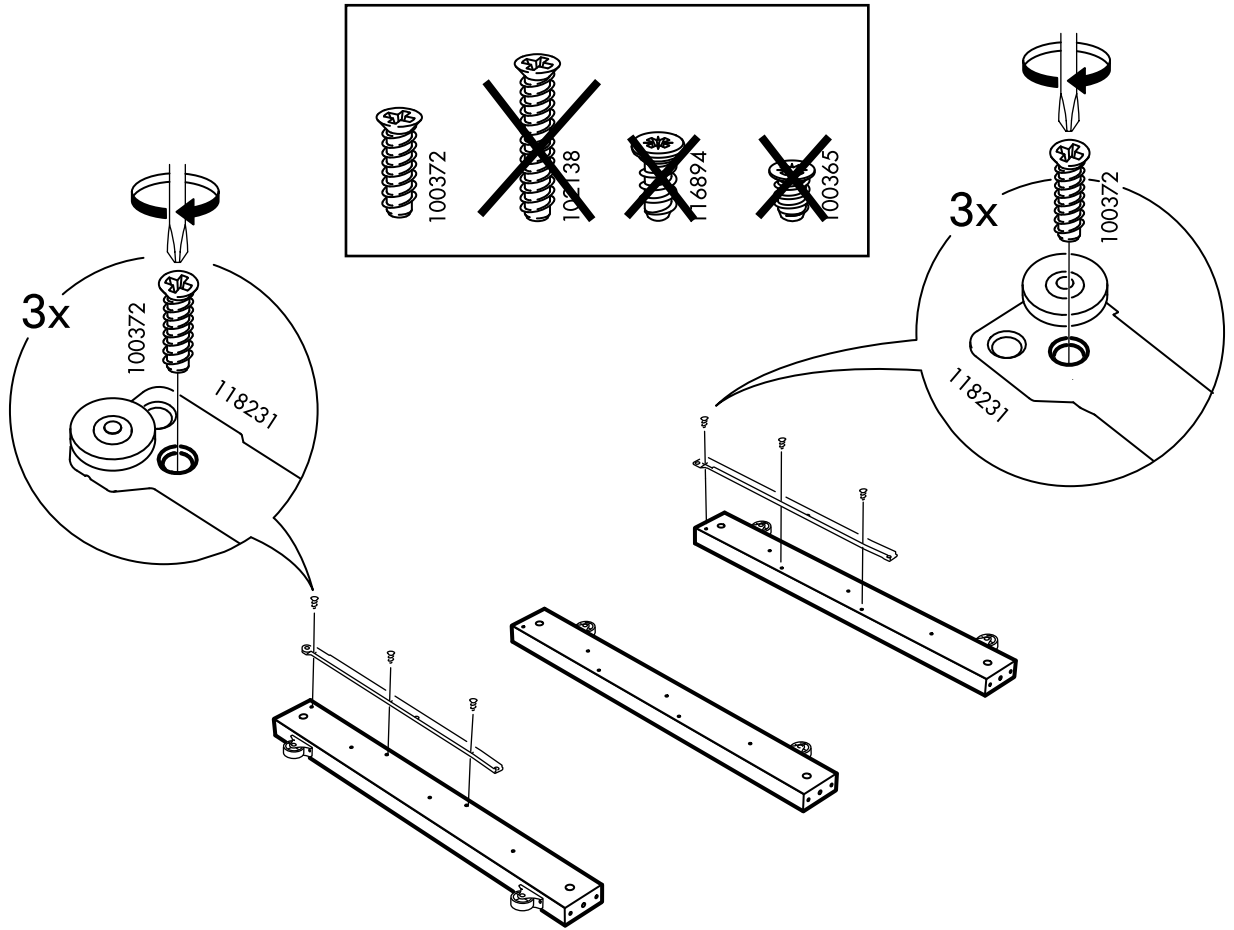
B5



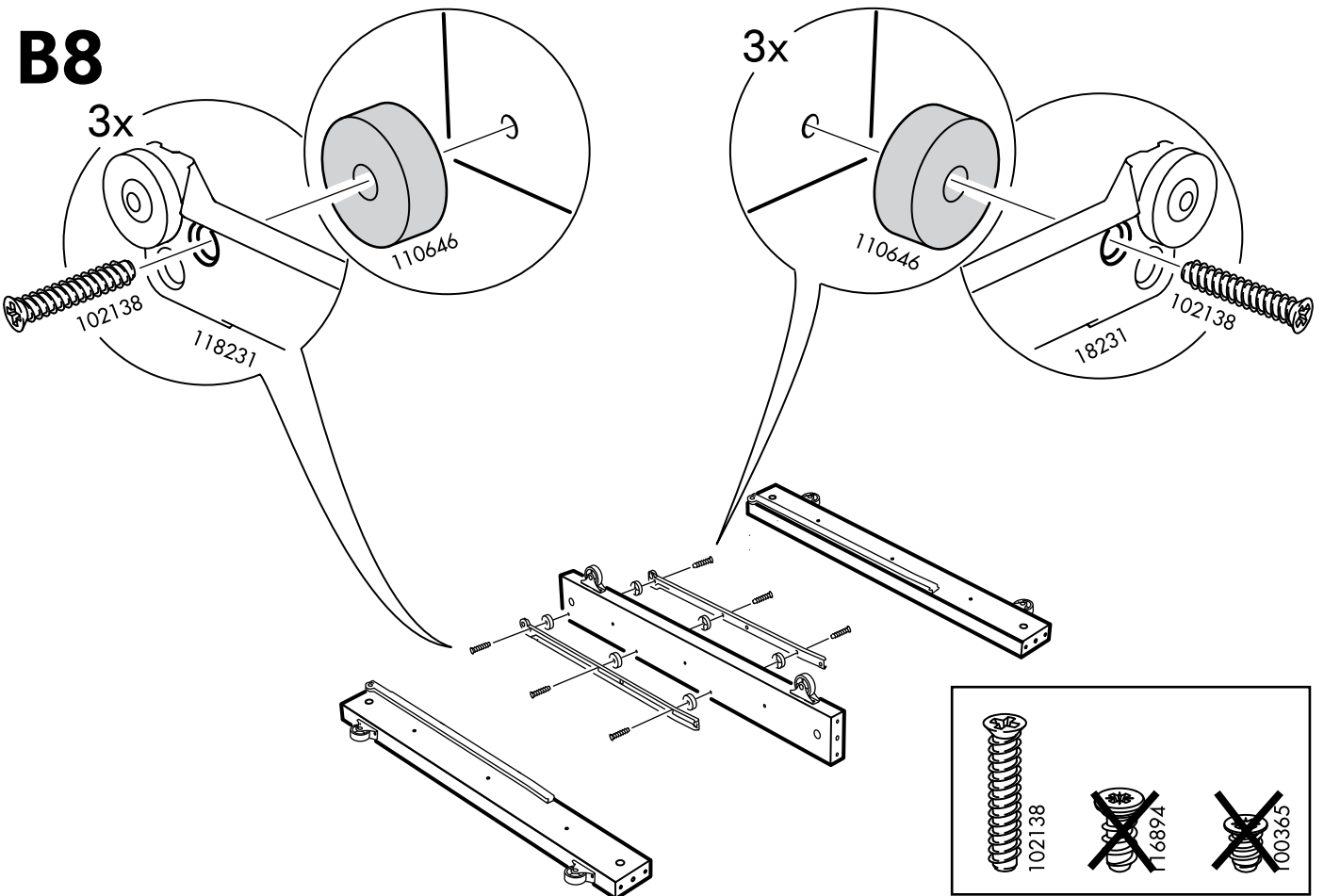
B6



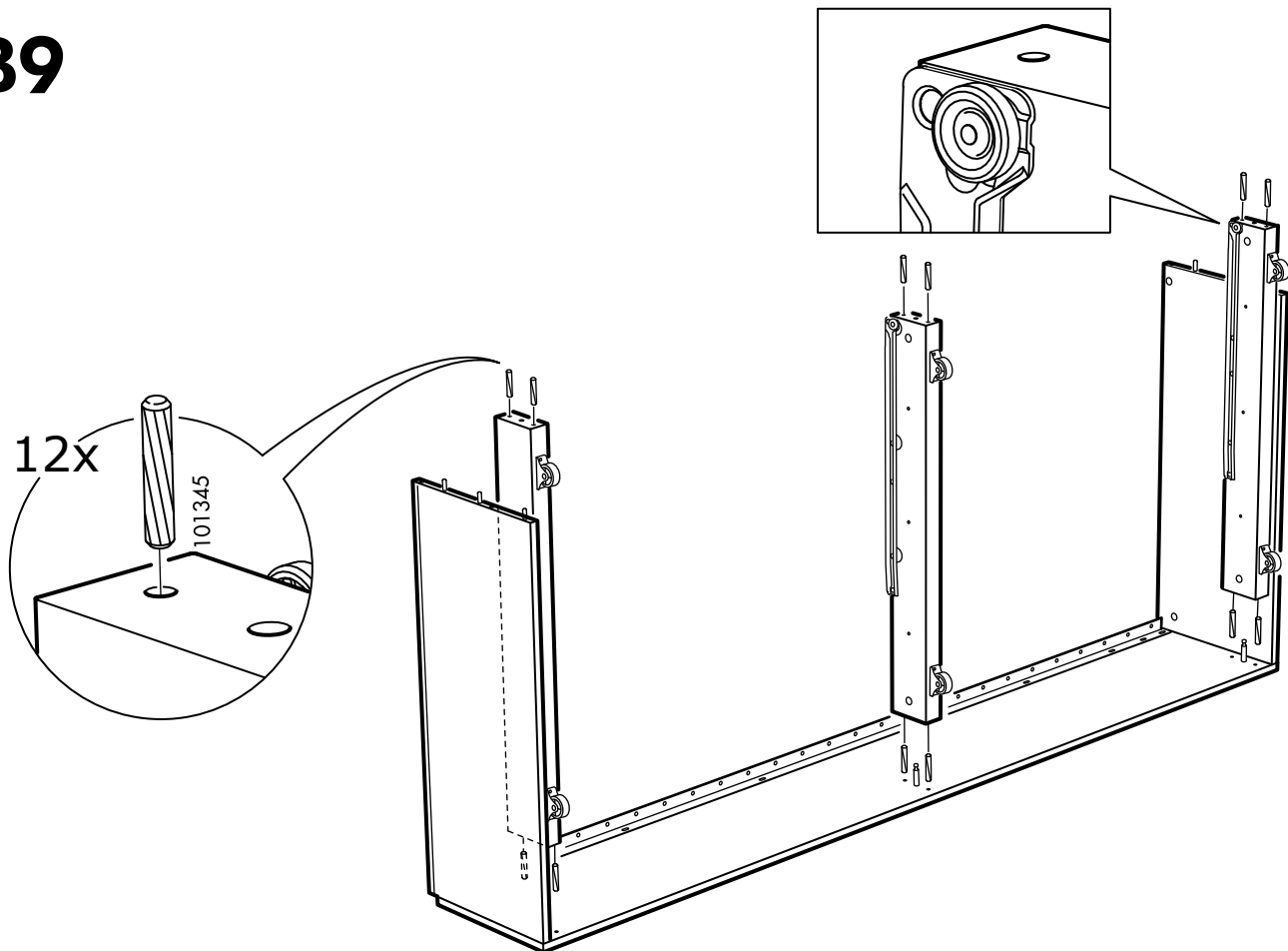
B7



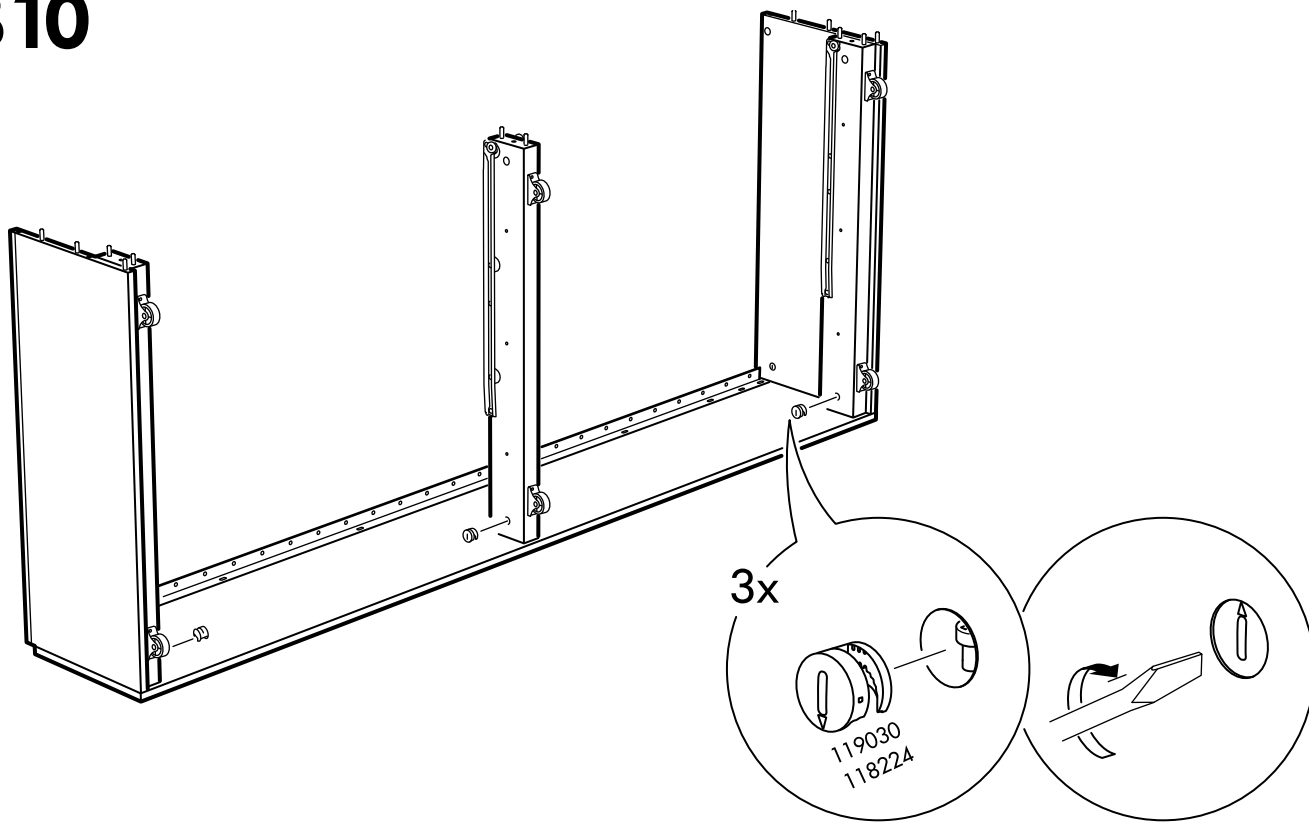
B8



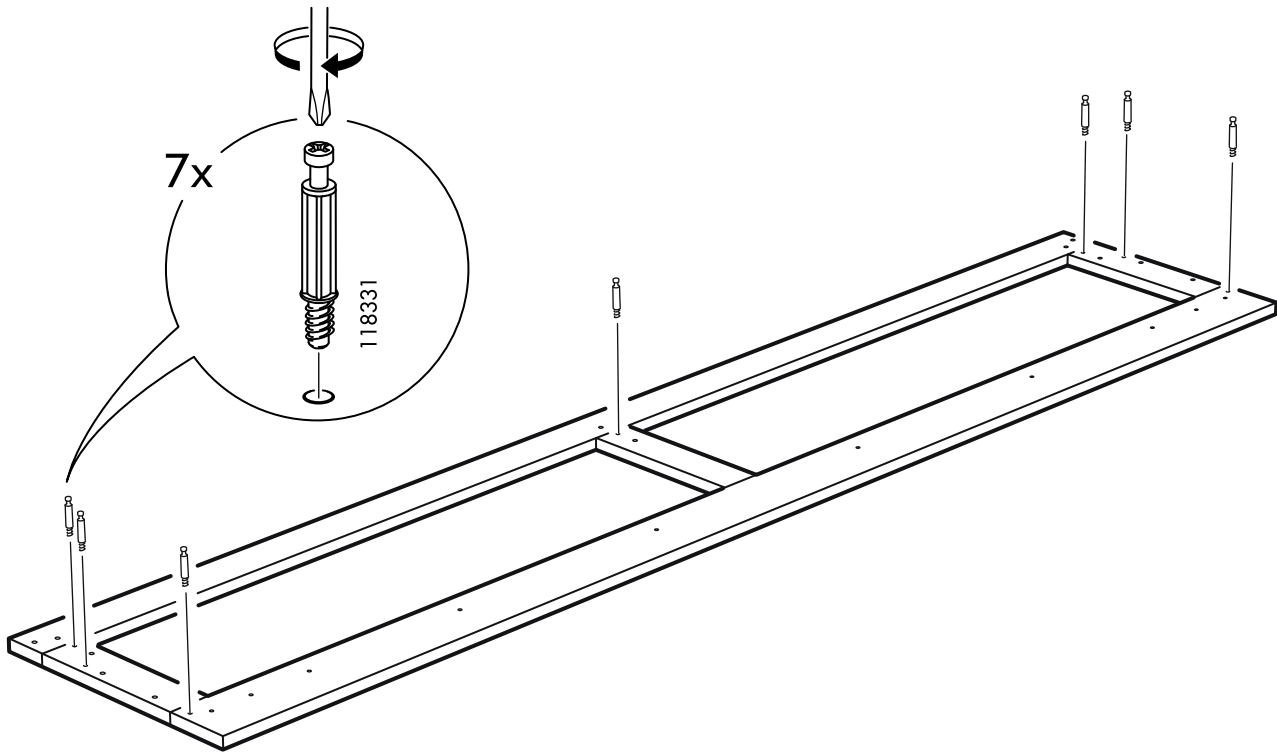
B9



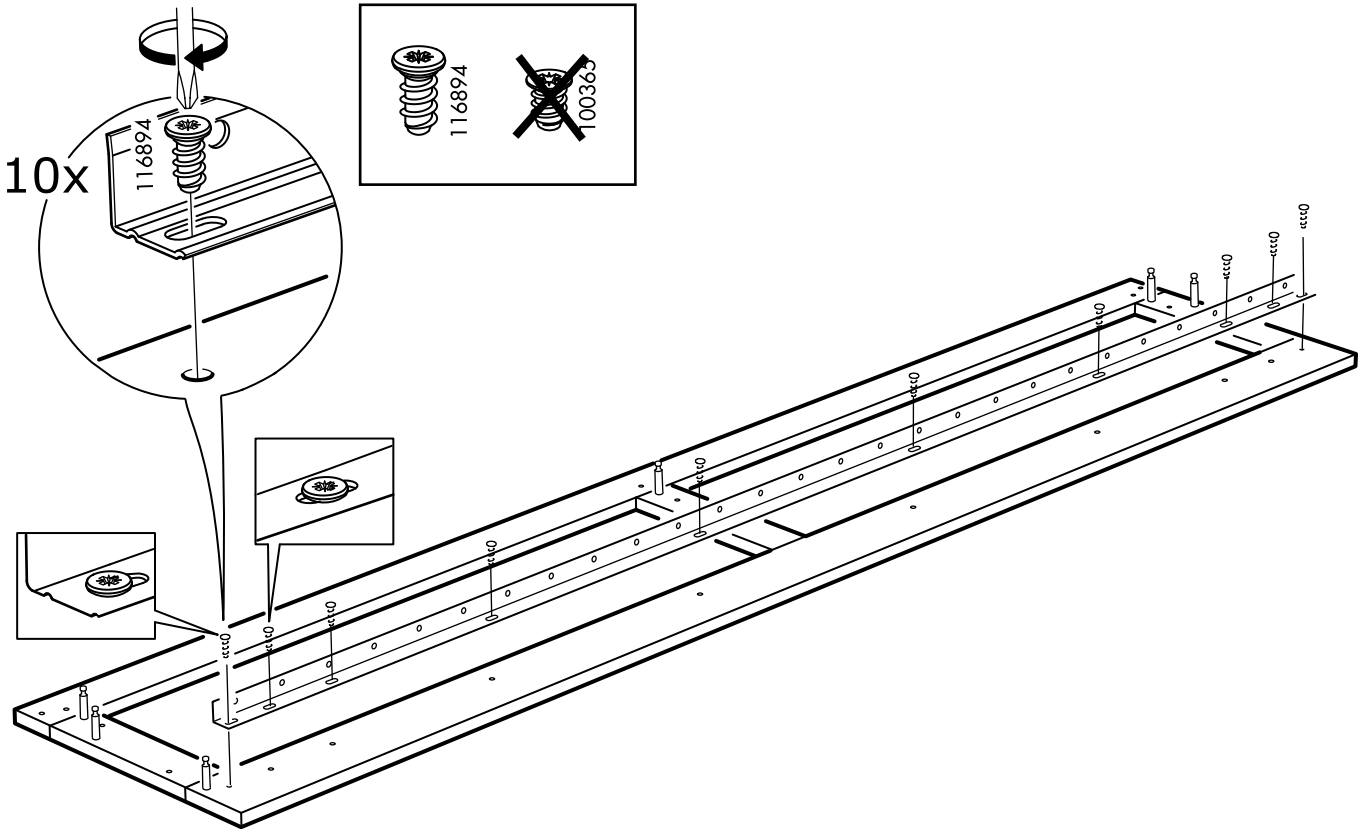
B10



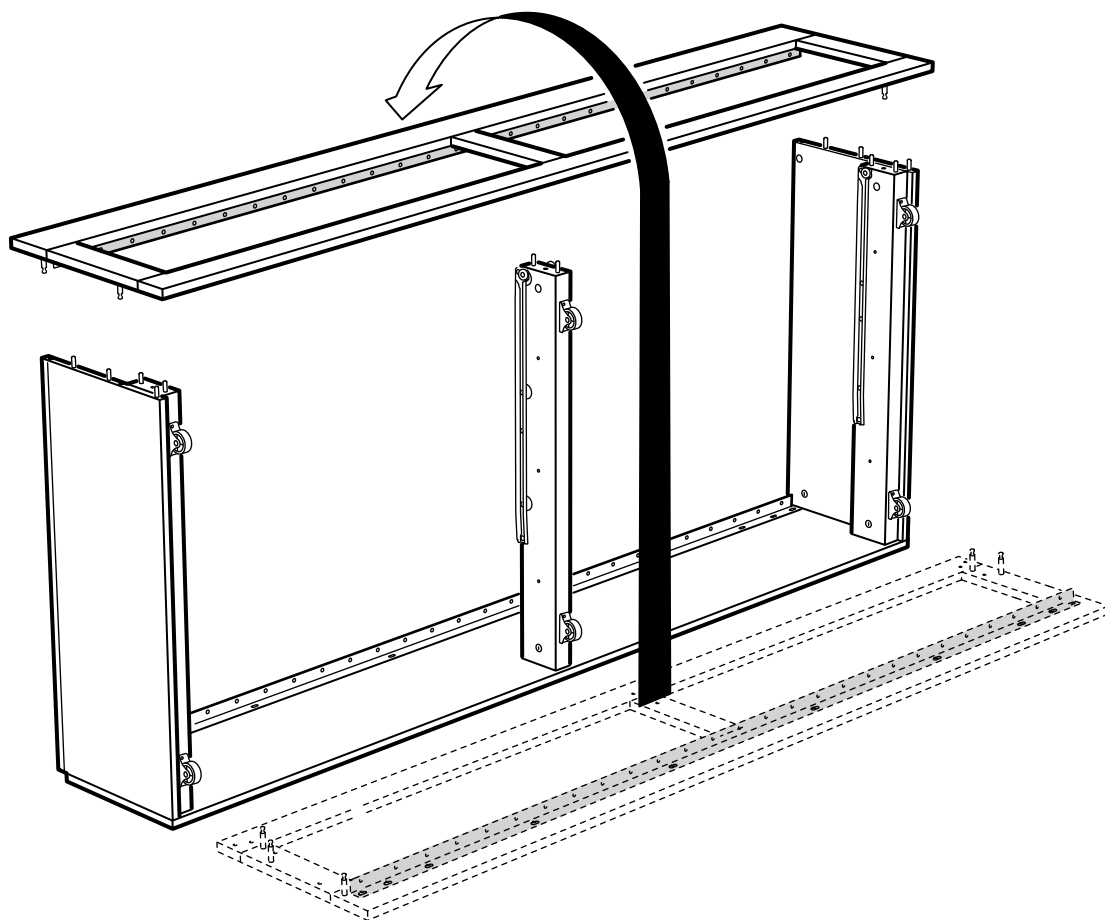
B11



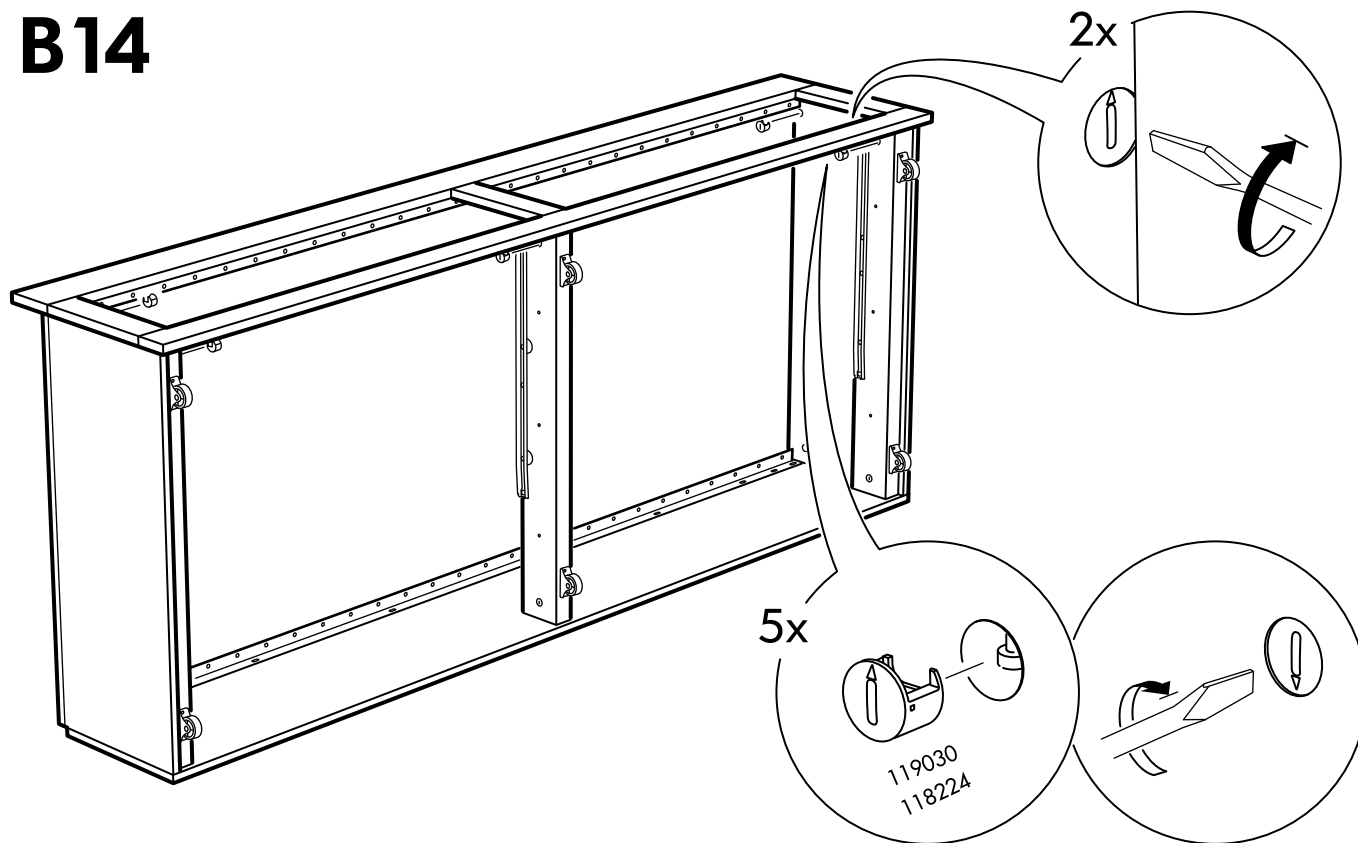
B12



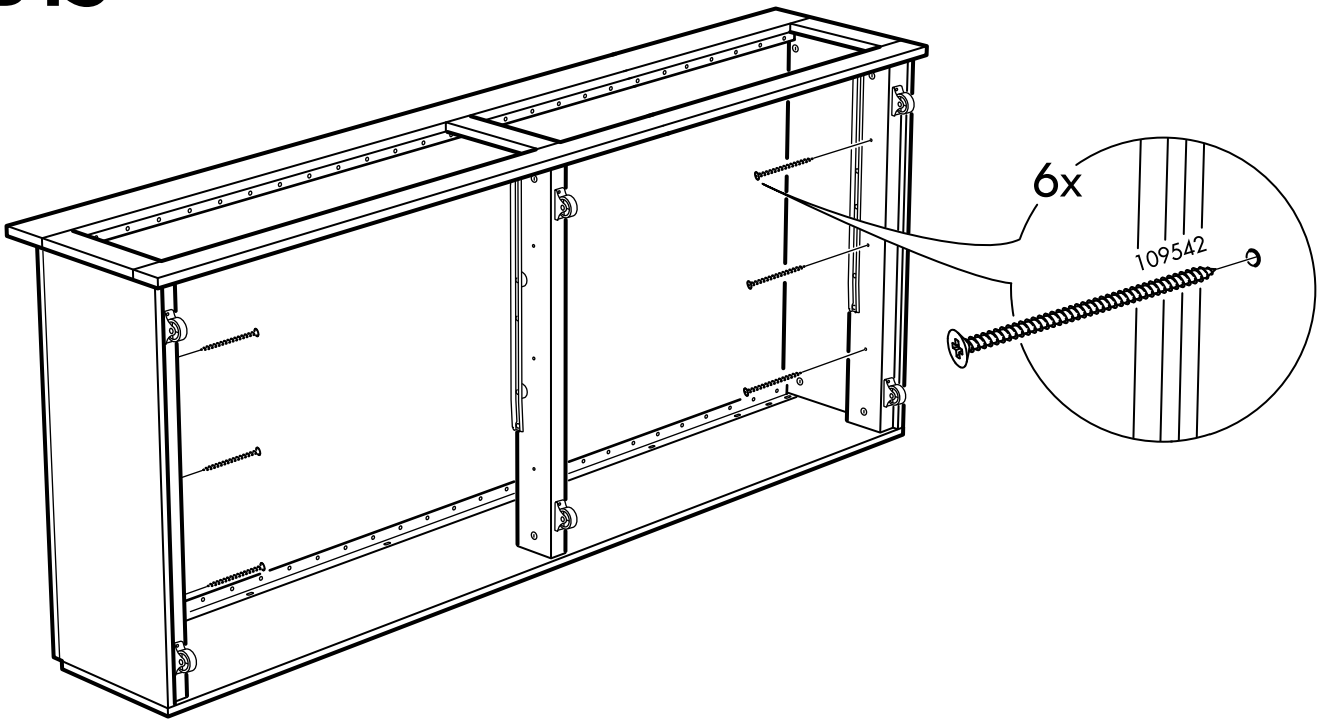
B13



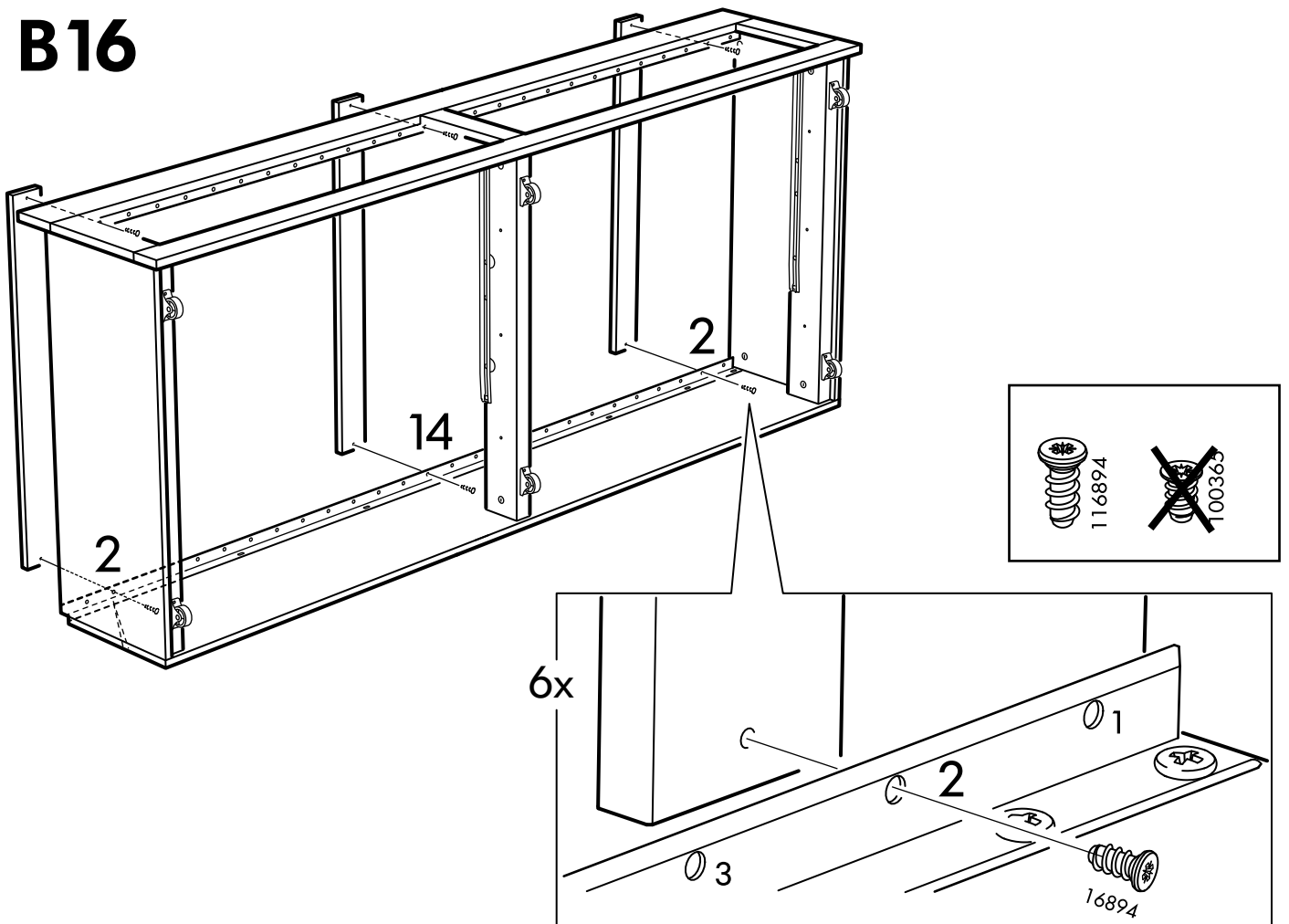
B14

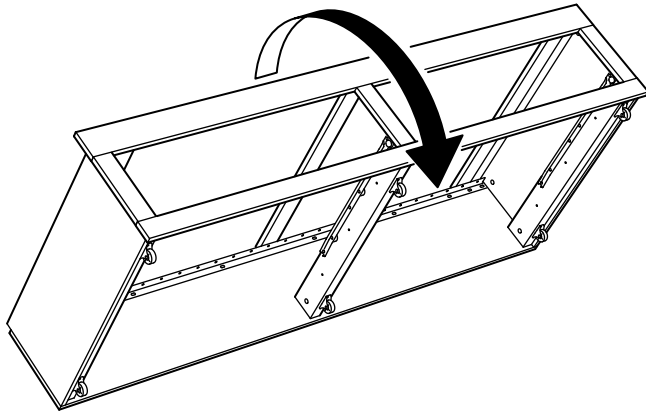


B15

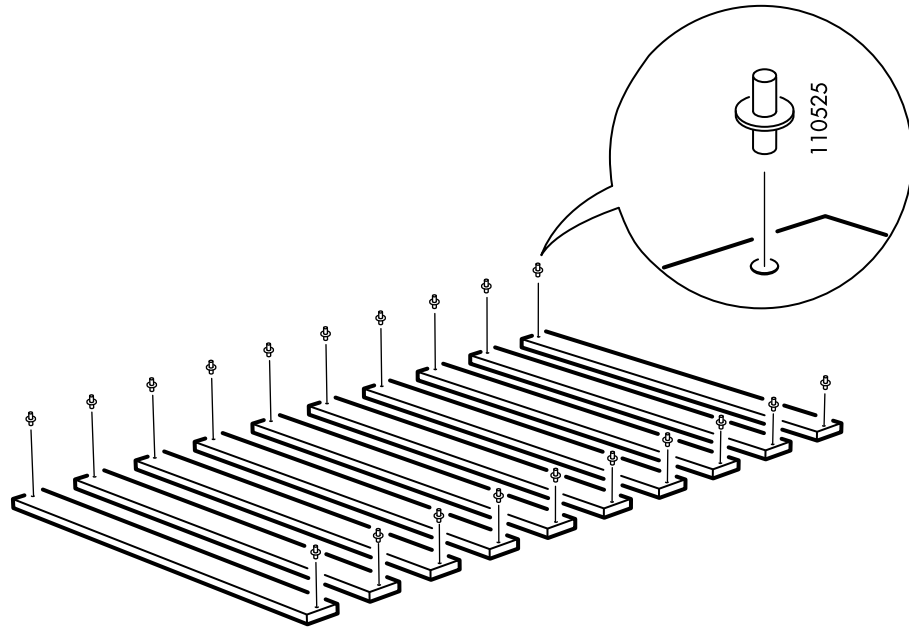


B16

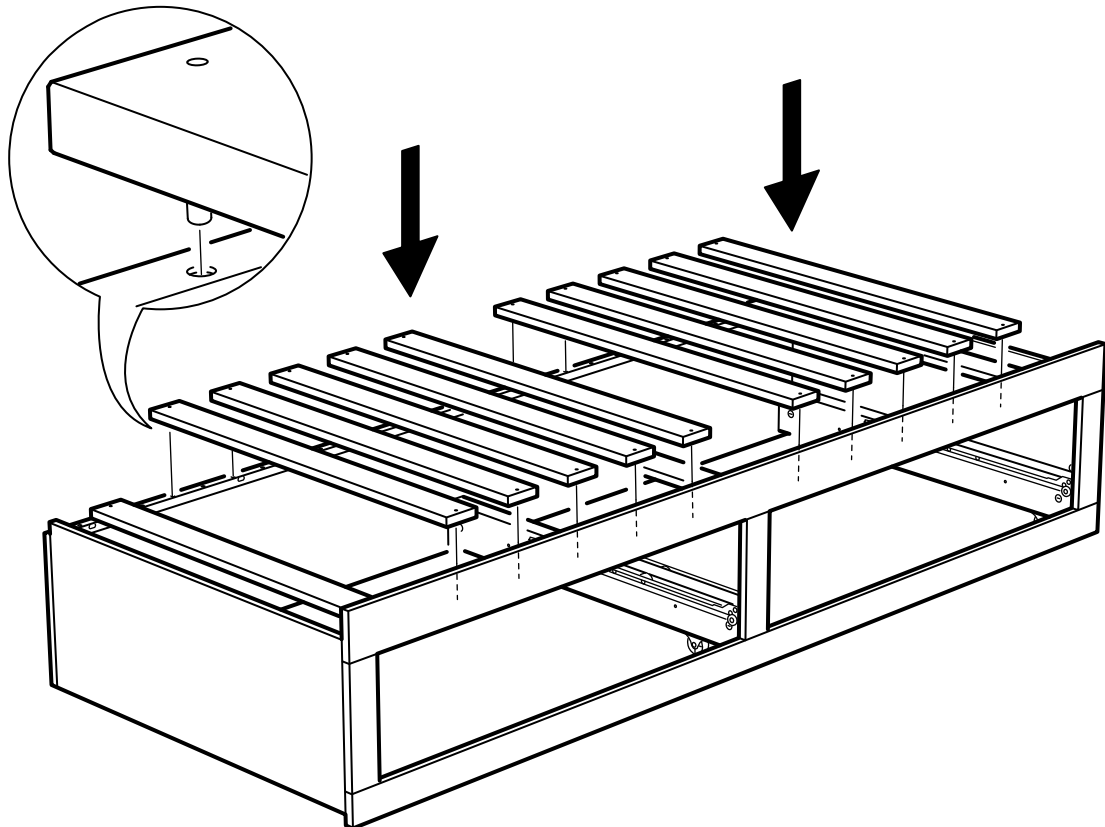




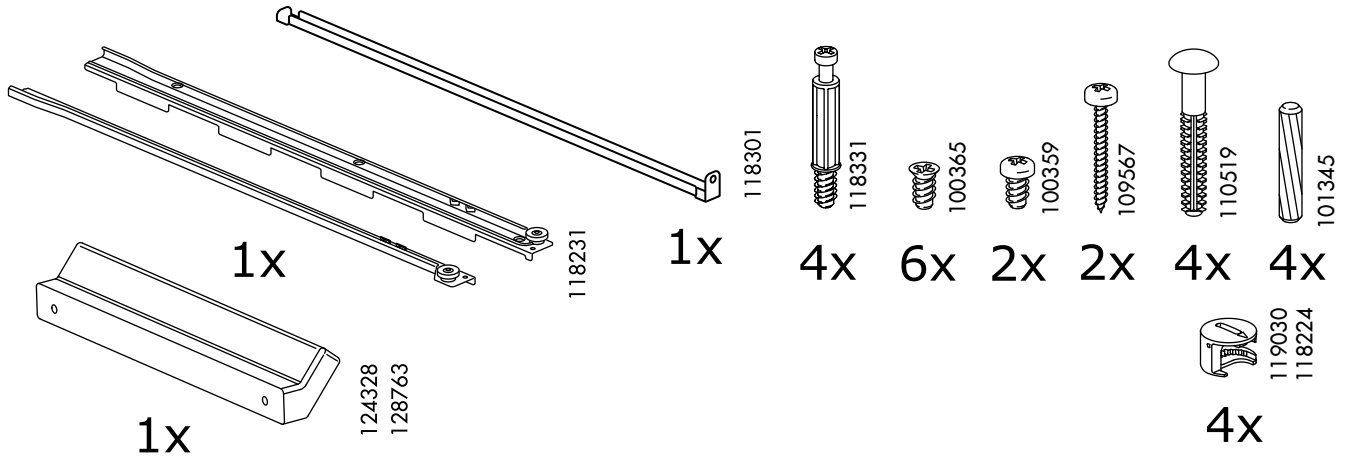
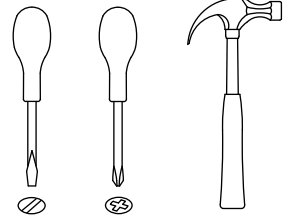
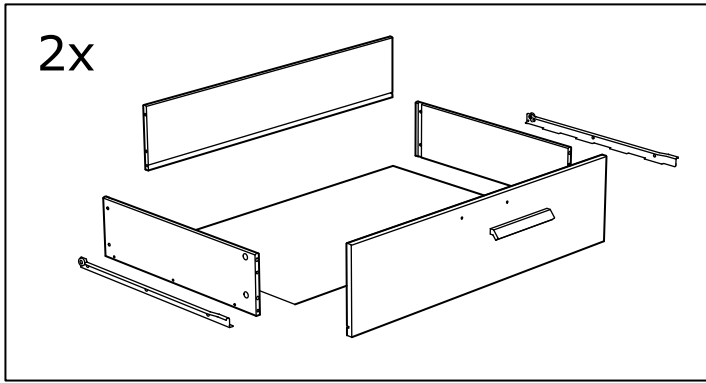
B17



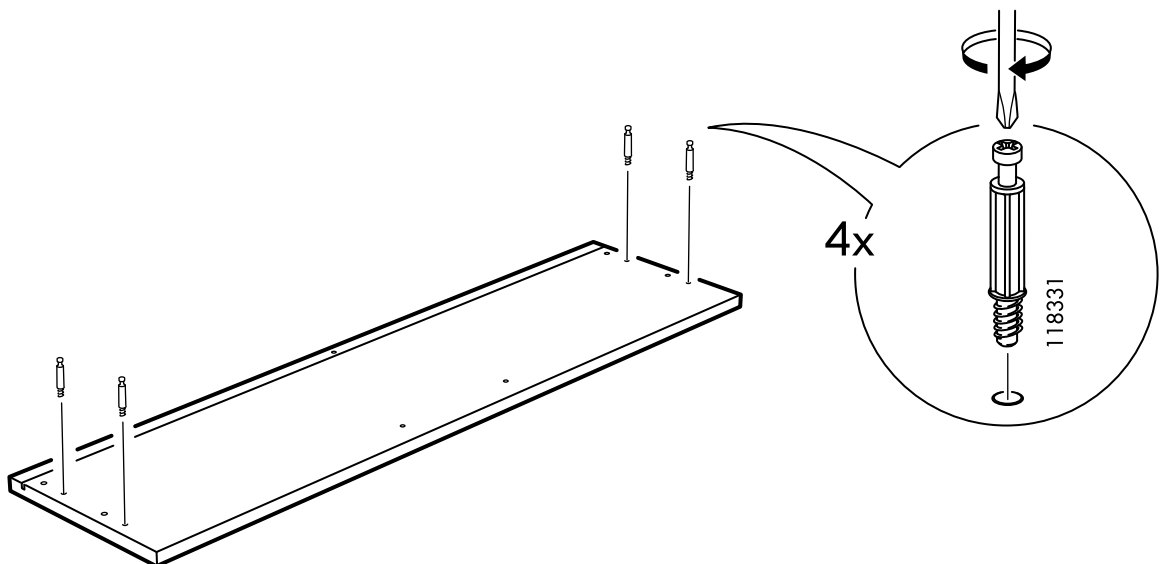
B18



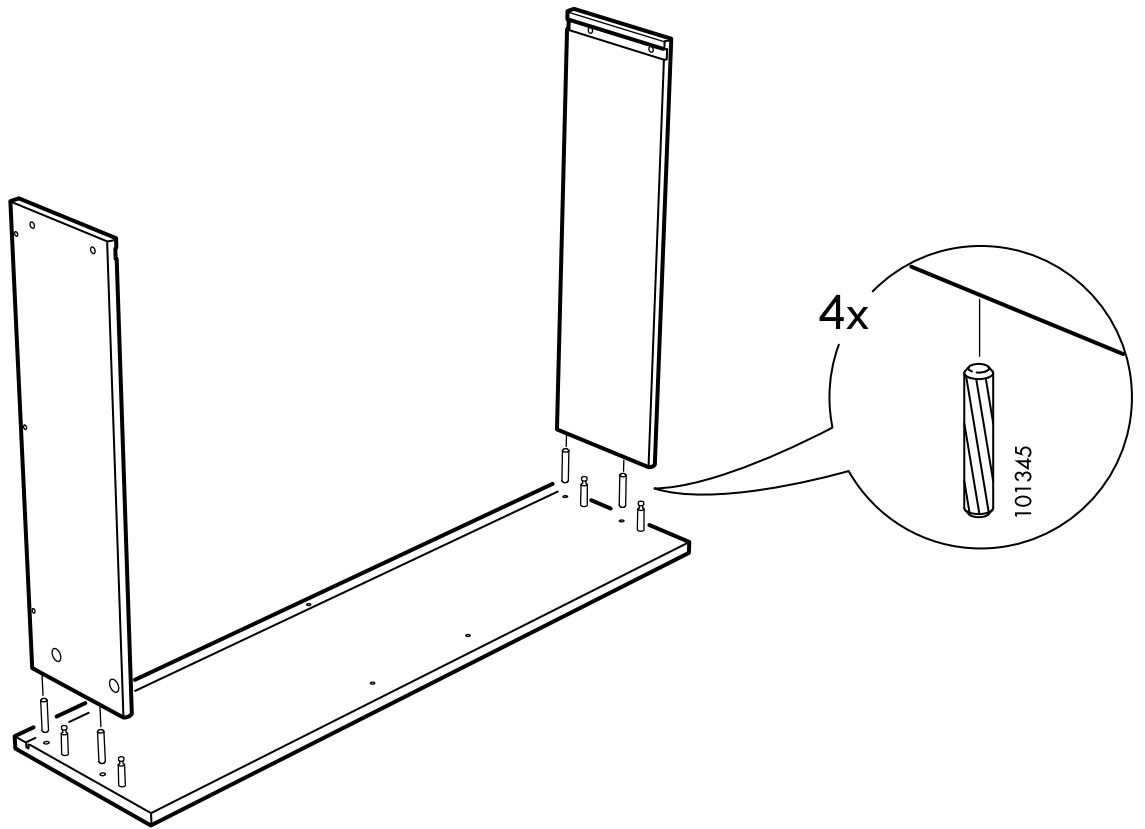
C



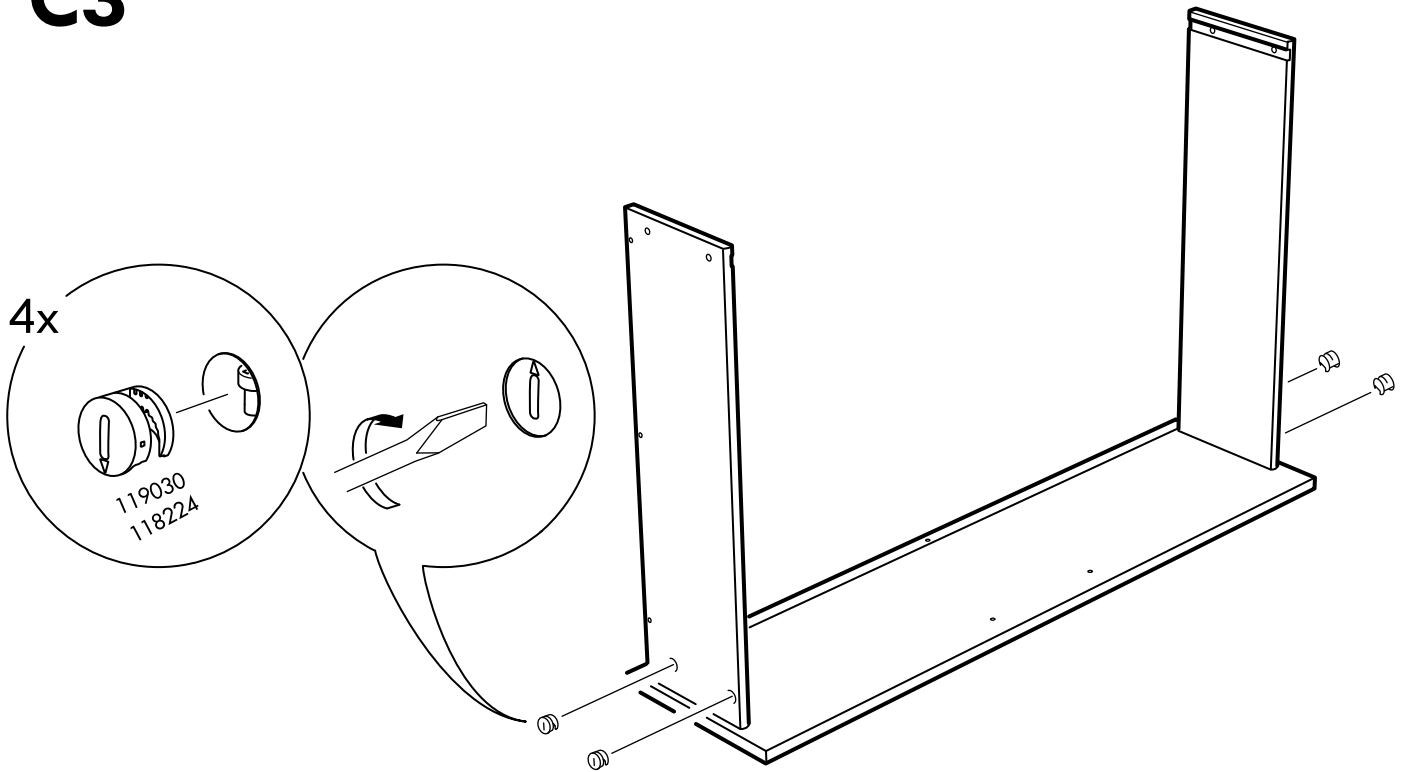
C1



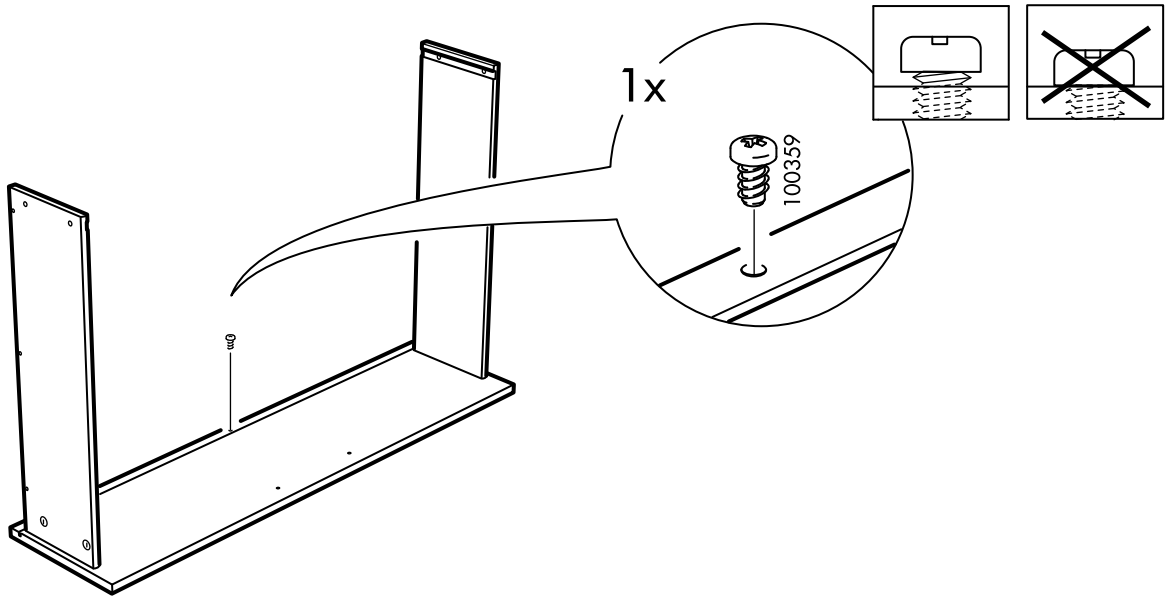
C2



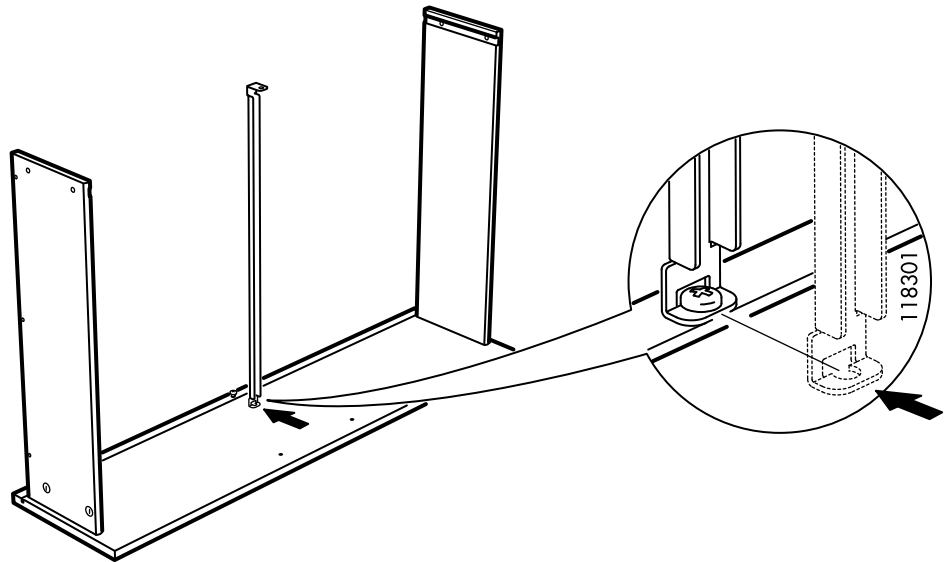
C3



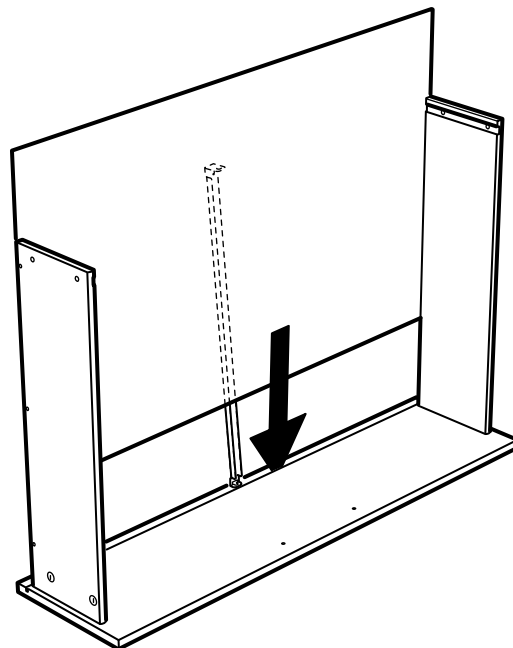
C4



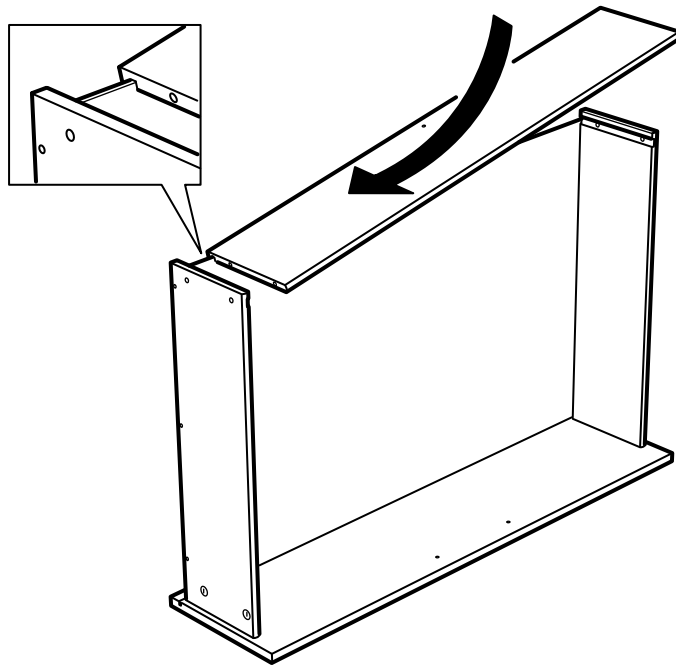
C5



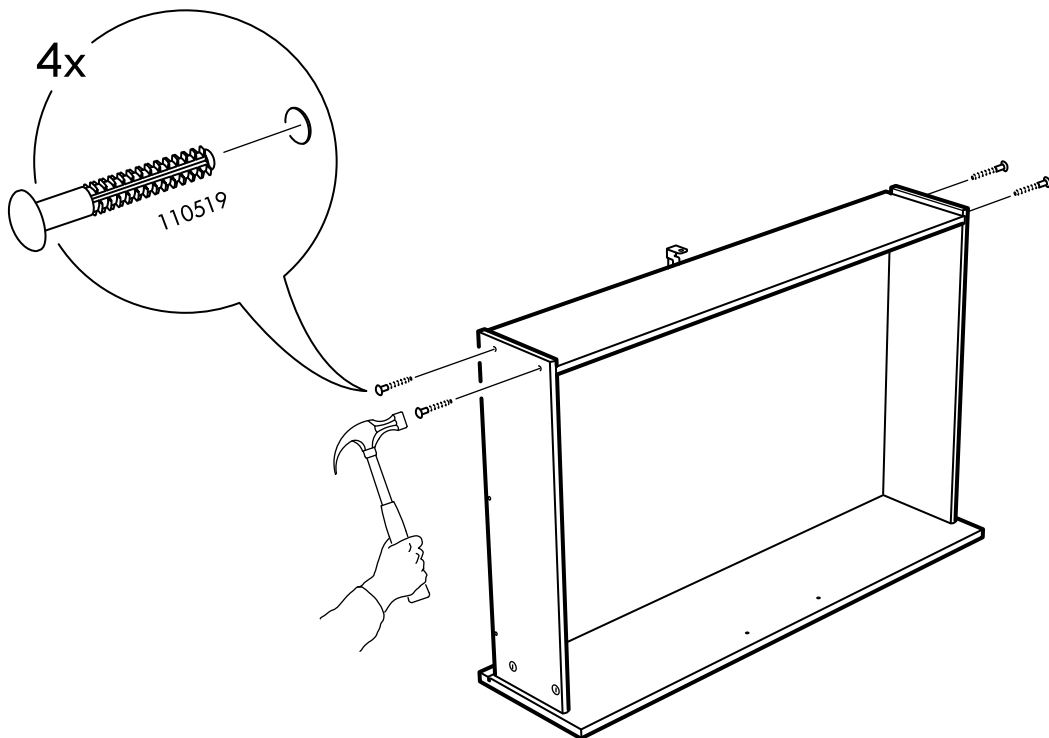
C6



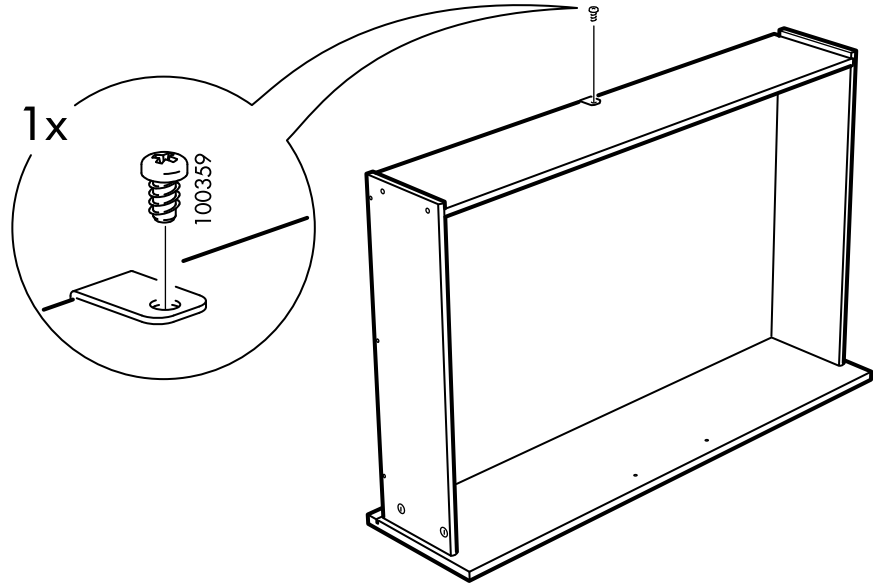
C7



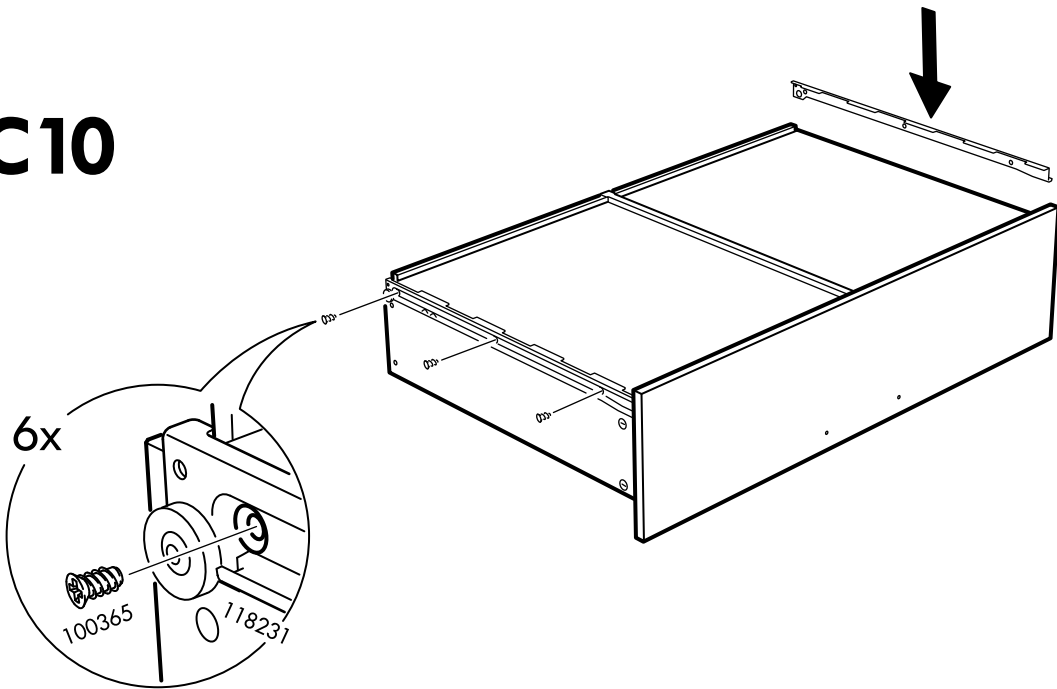
C8



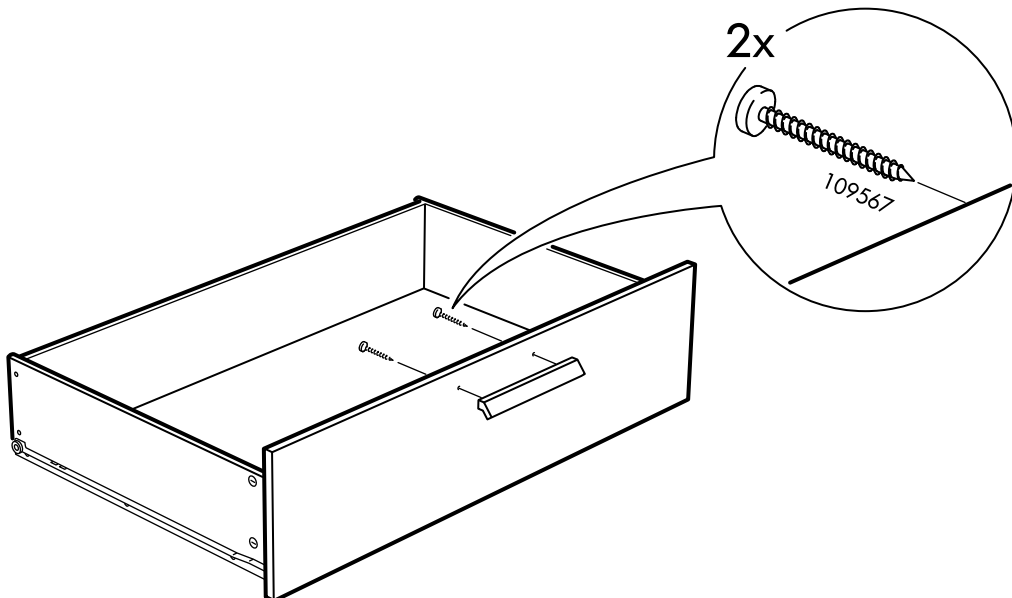
C9



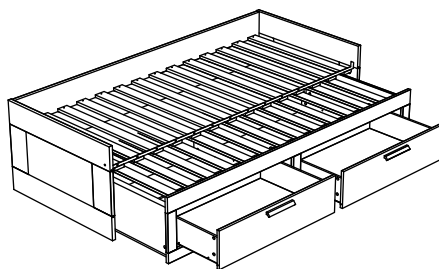
C10



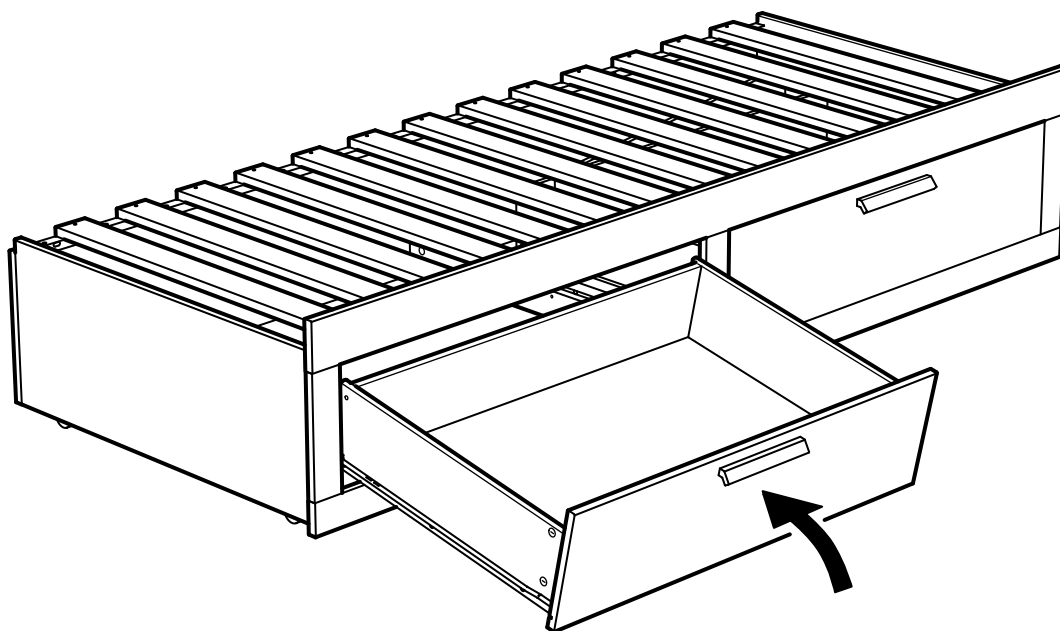
C11



(A) + (B) + (C) =



1



2

