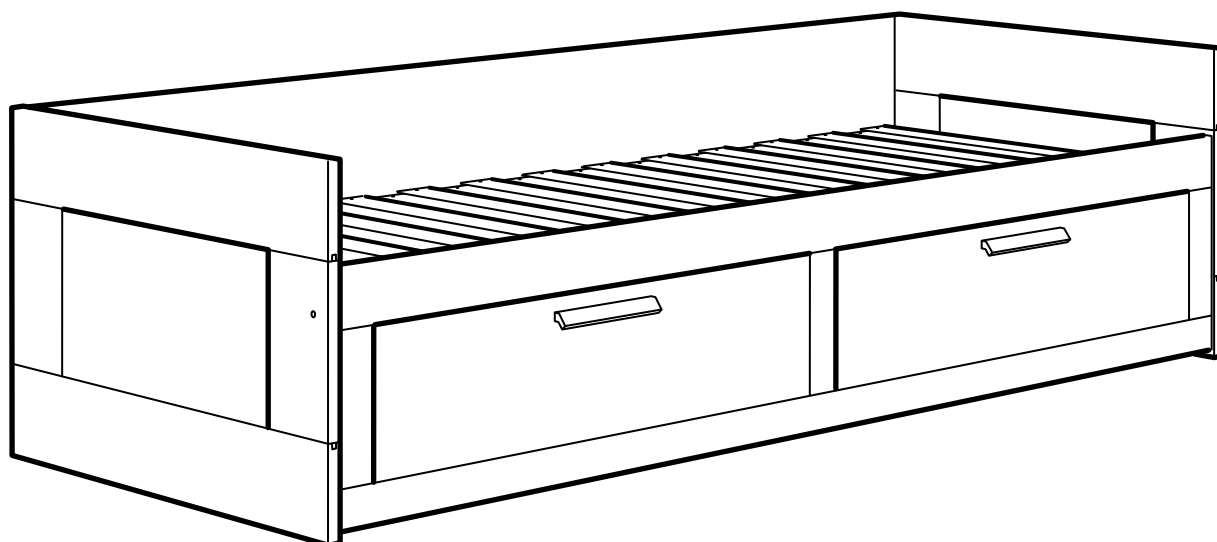
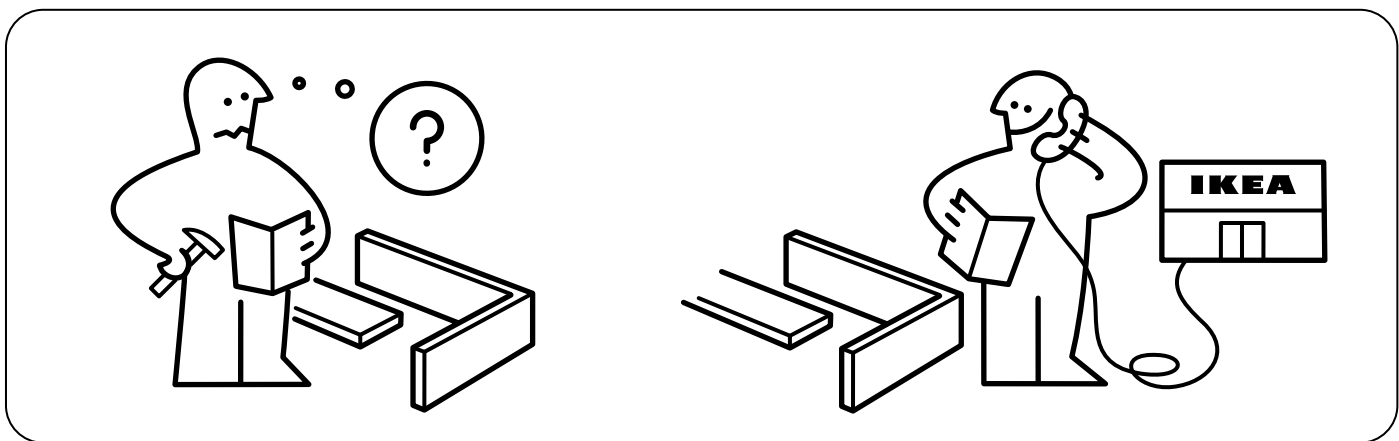
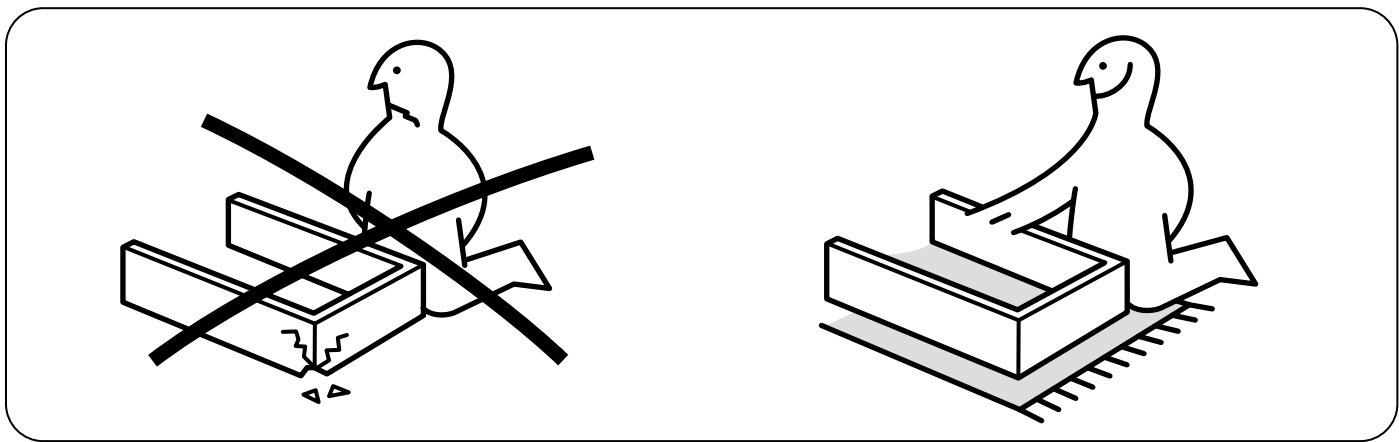
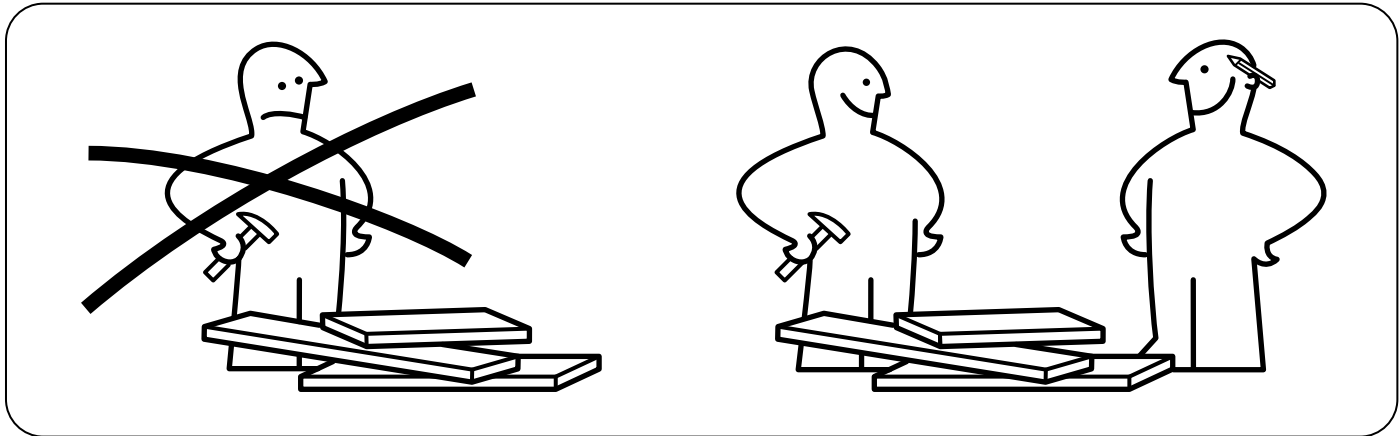
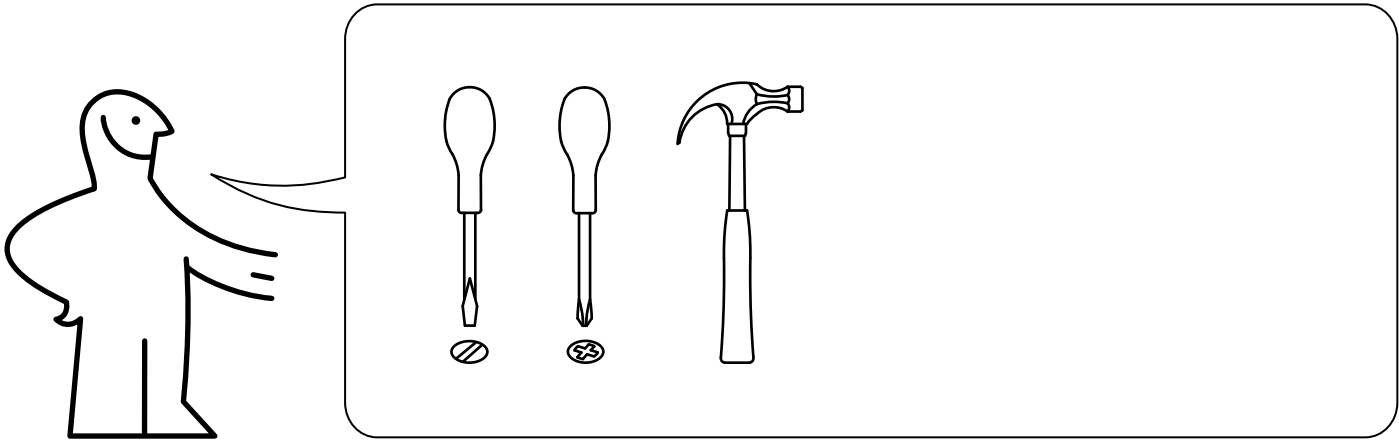


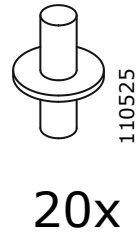
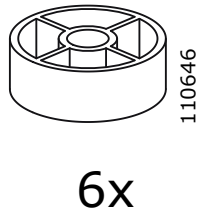
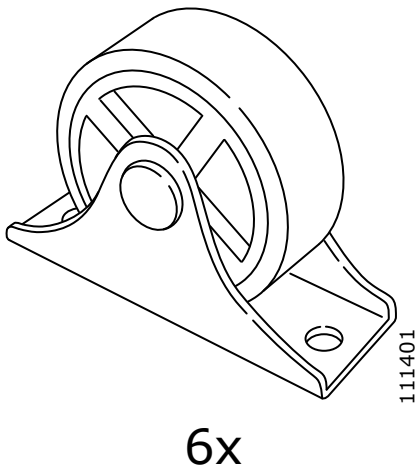
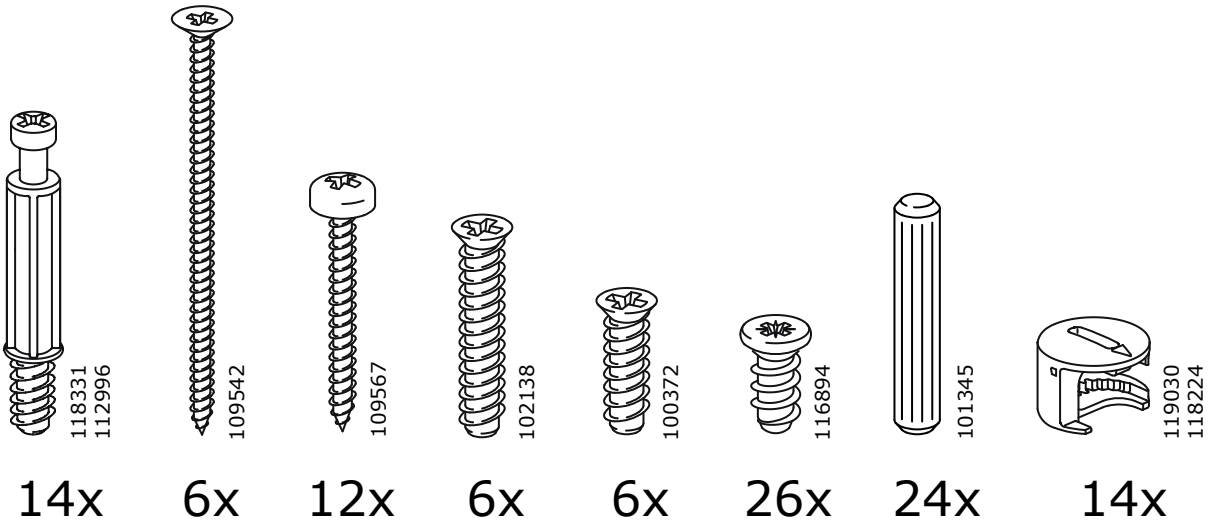
# BRIMNES



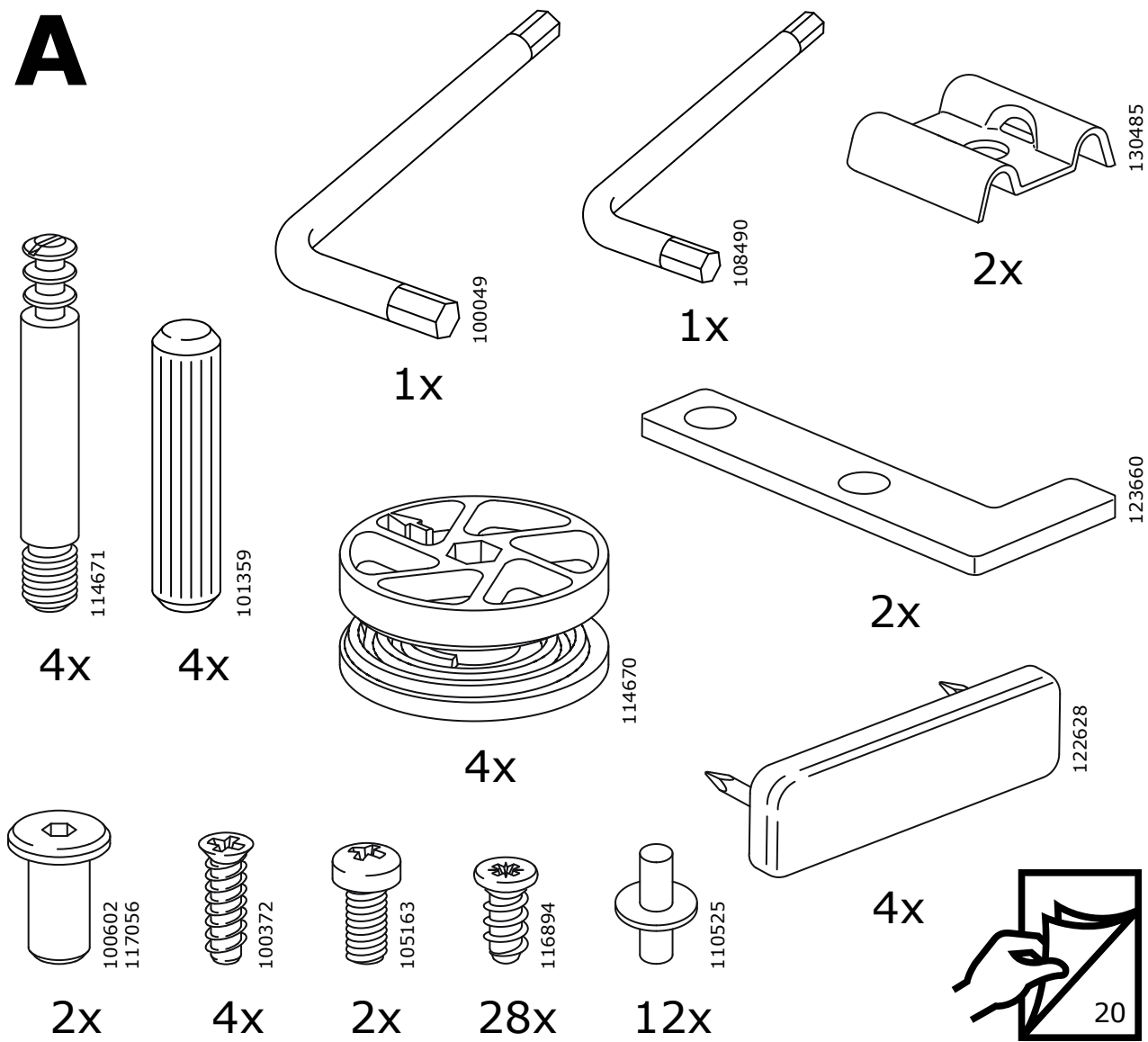
Design and Quality  
IKEA of Sweden



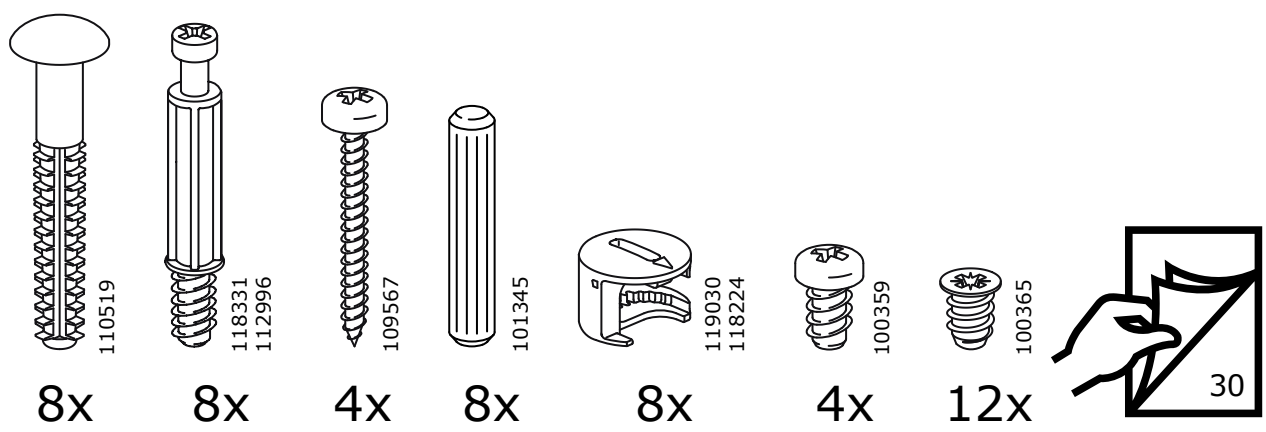
# B

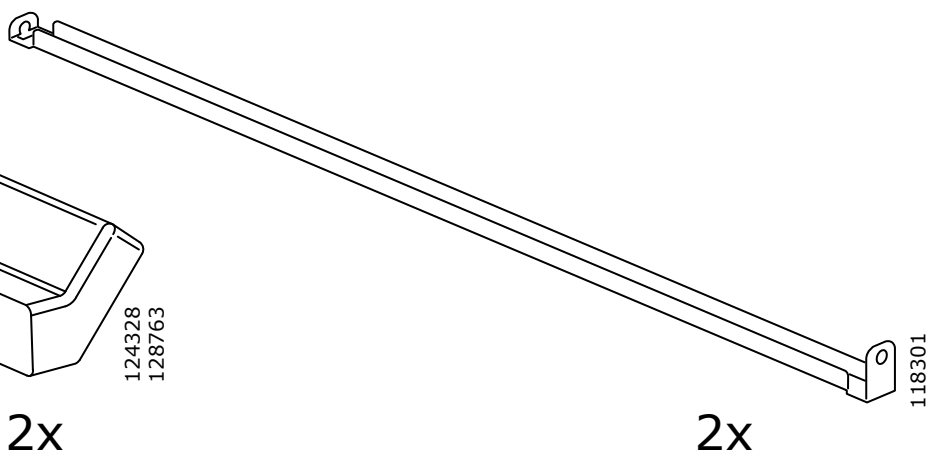
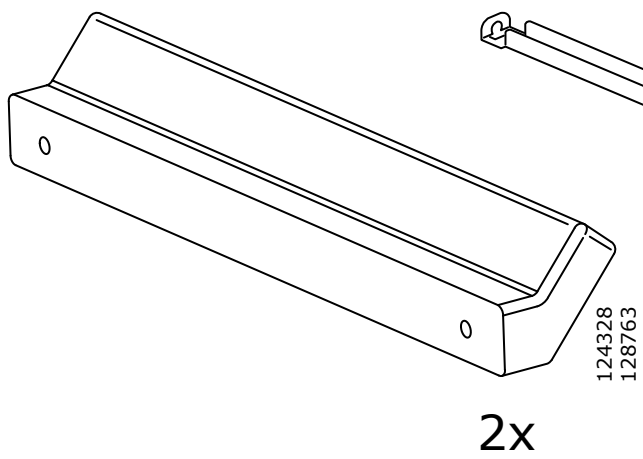
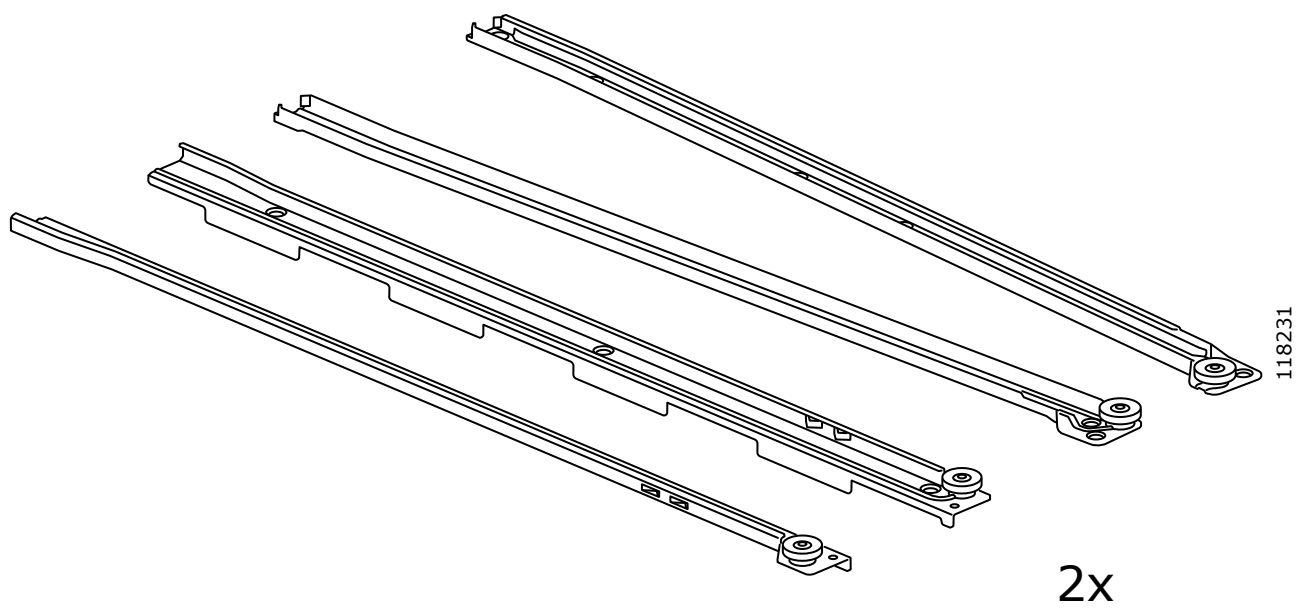
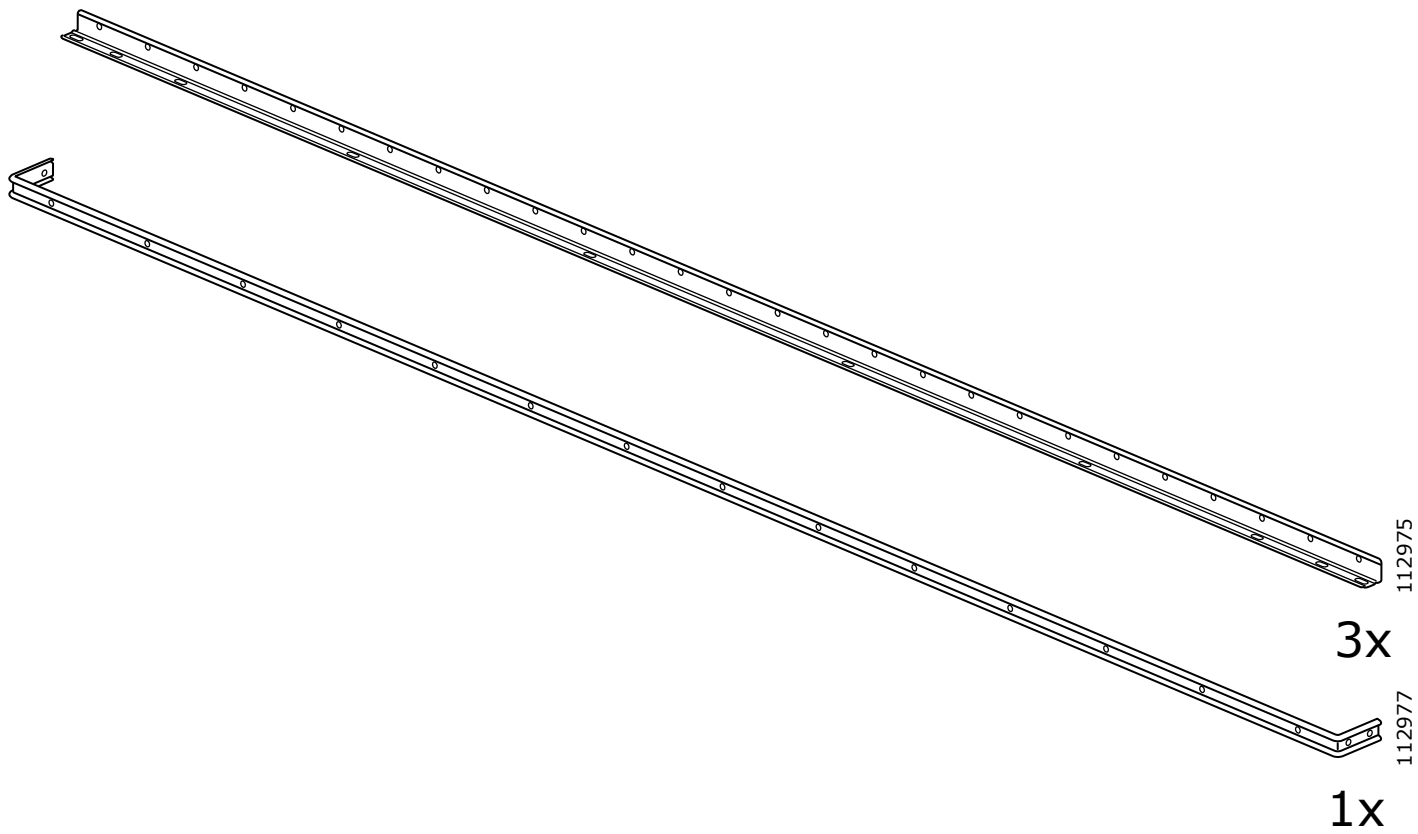


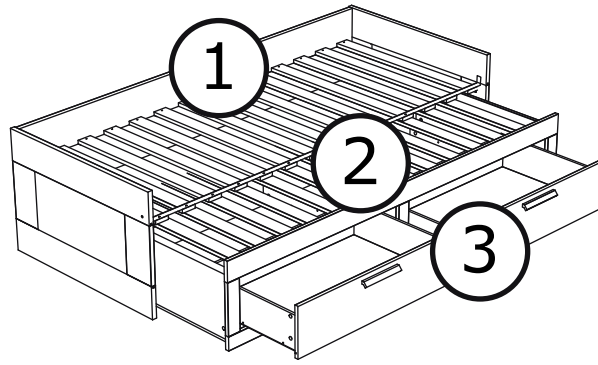
# A



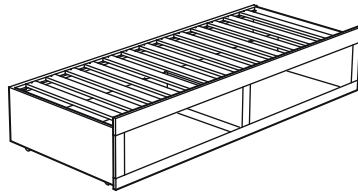
# C



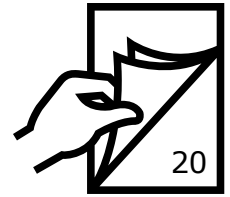
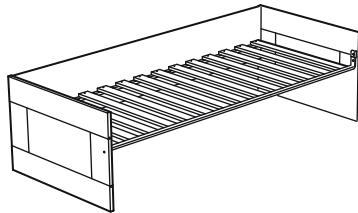




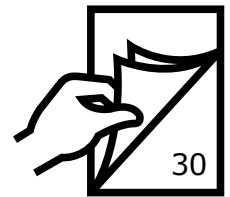
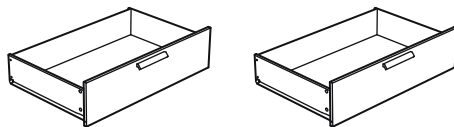
1

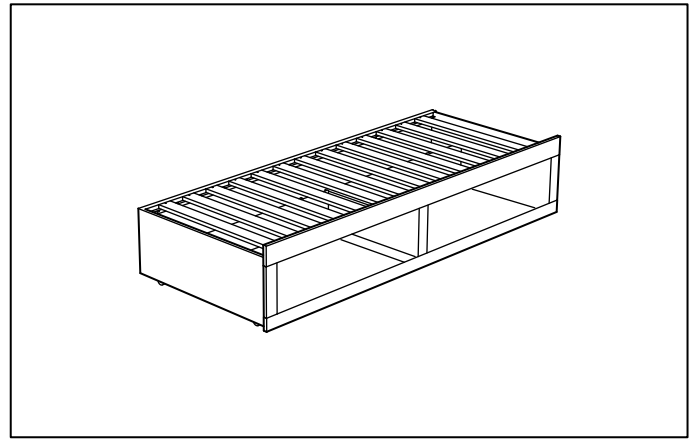
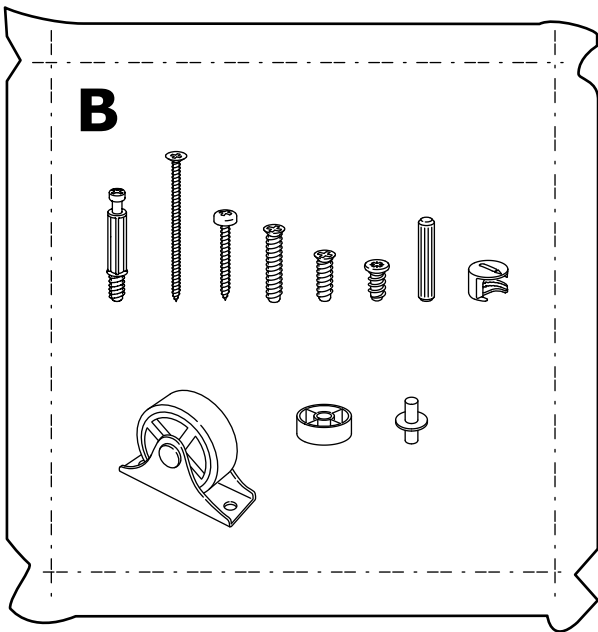


2

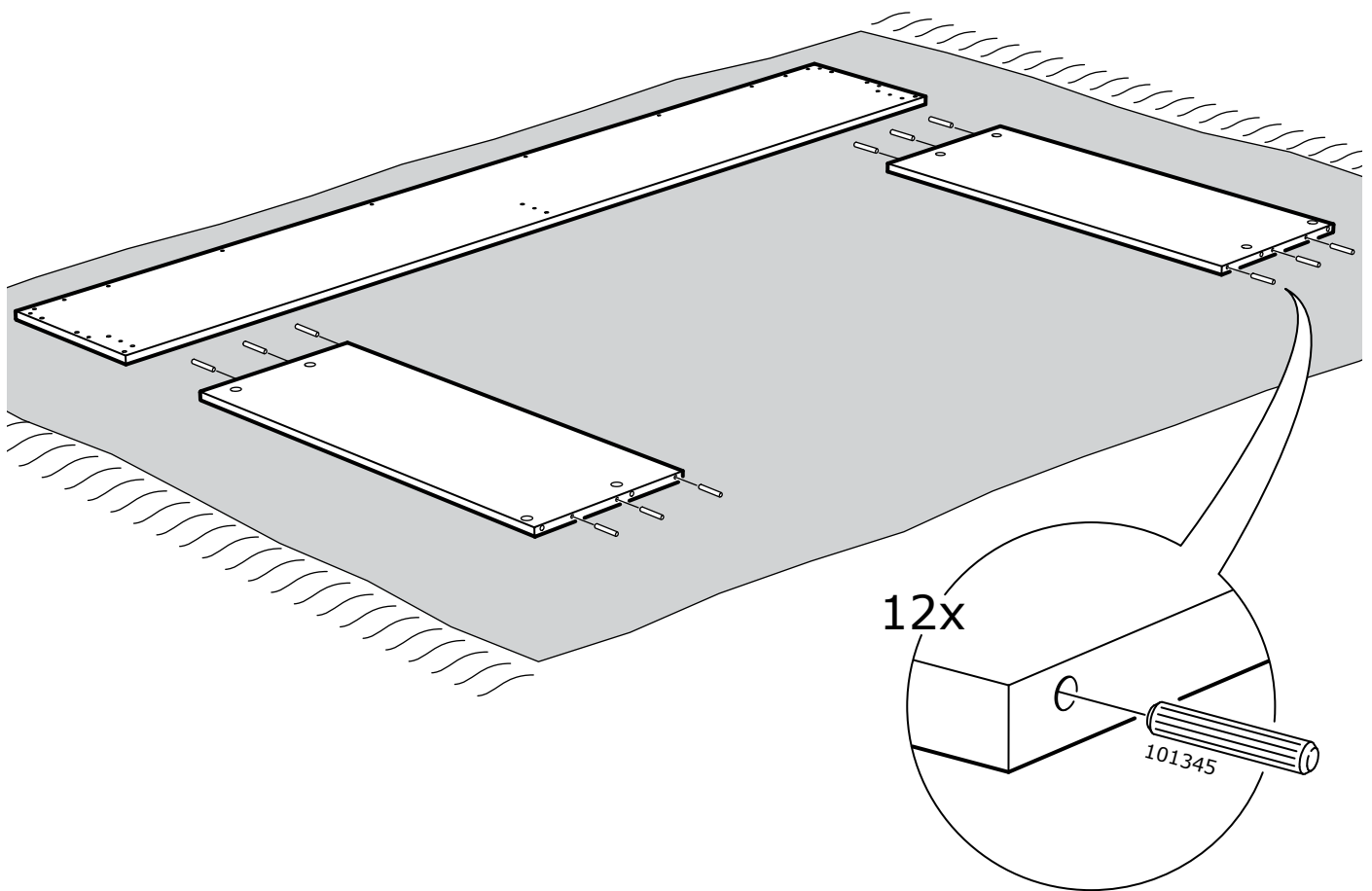


3

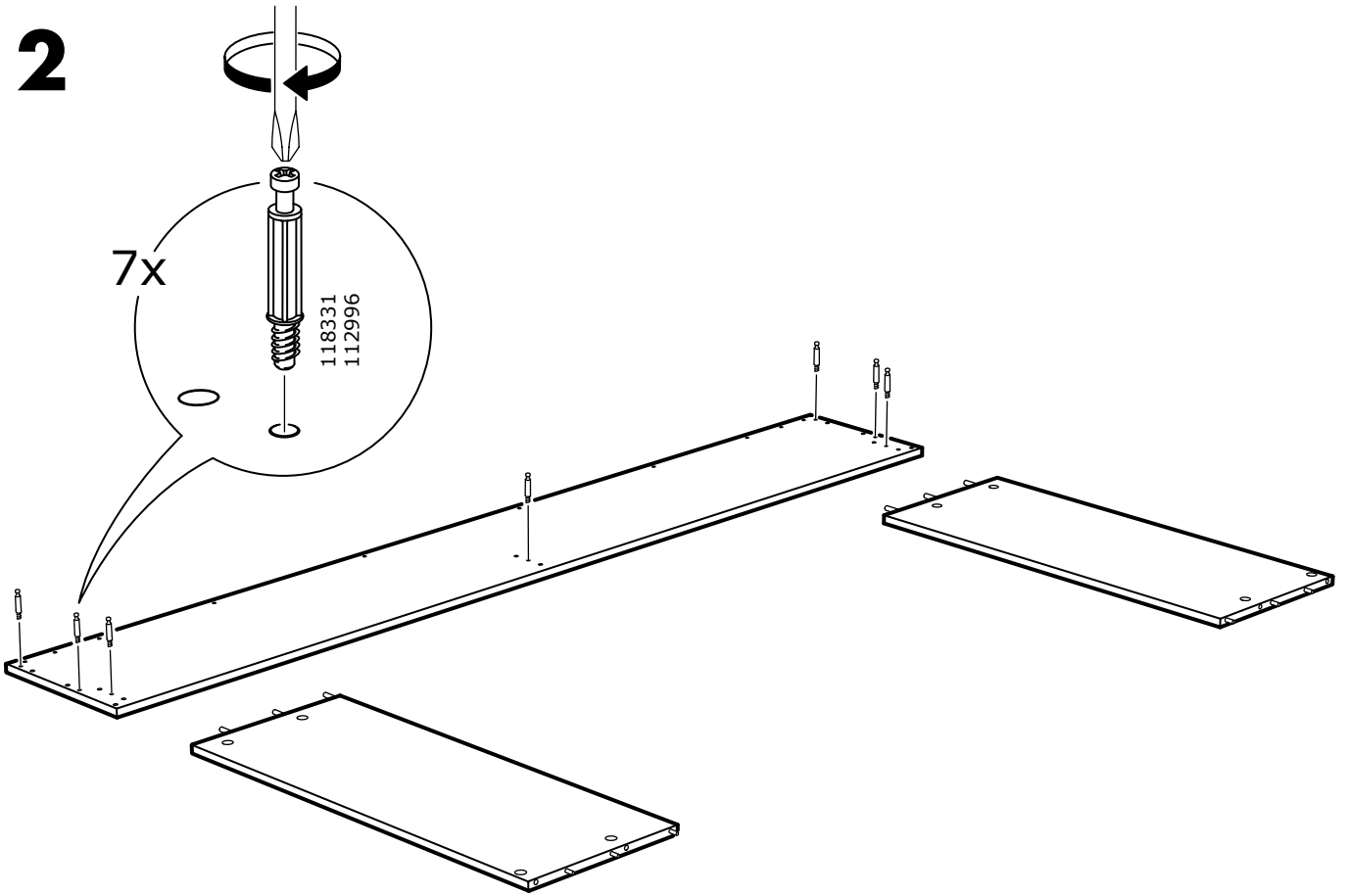




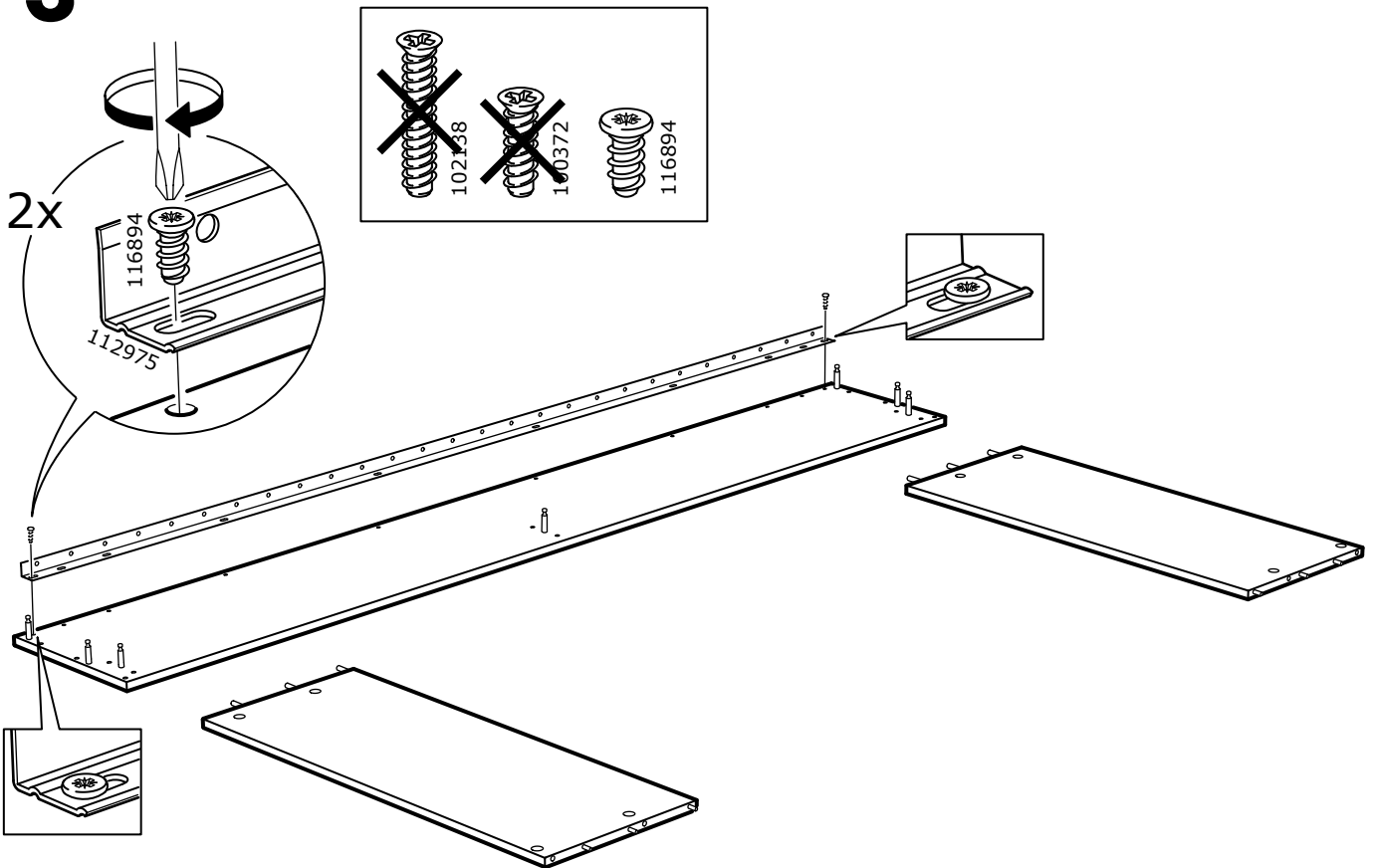
**1**



**2**

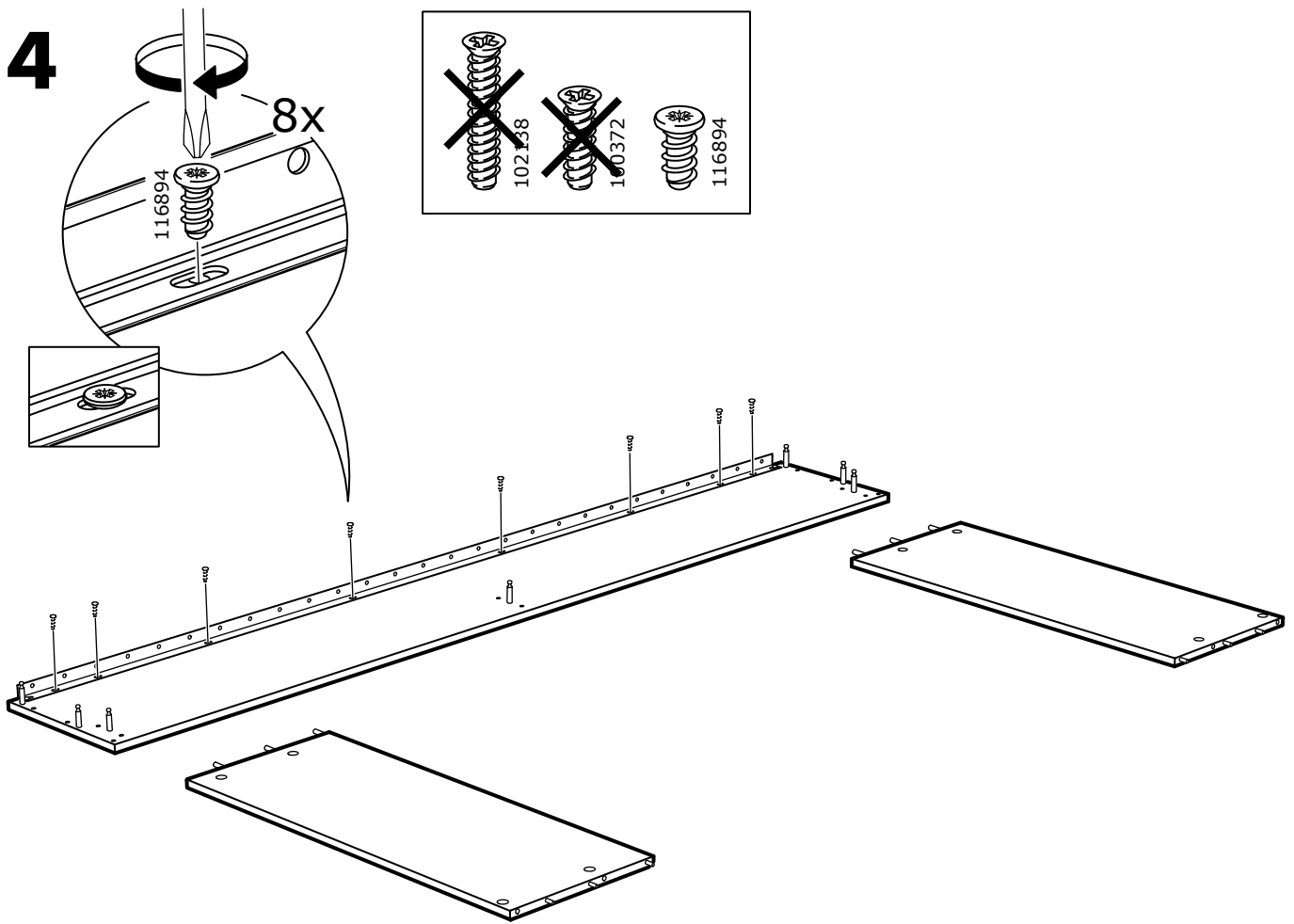


**3**

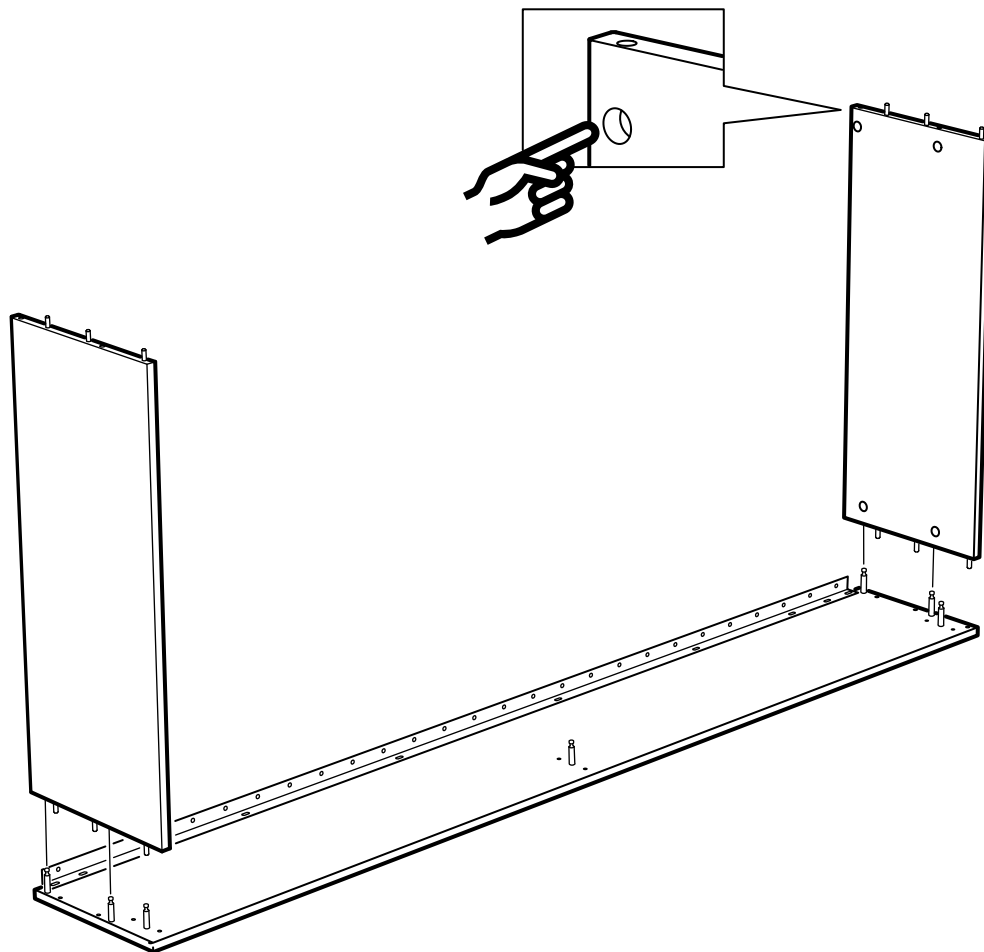




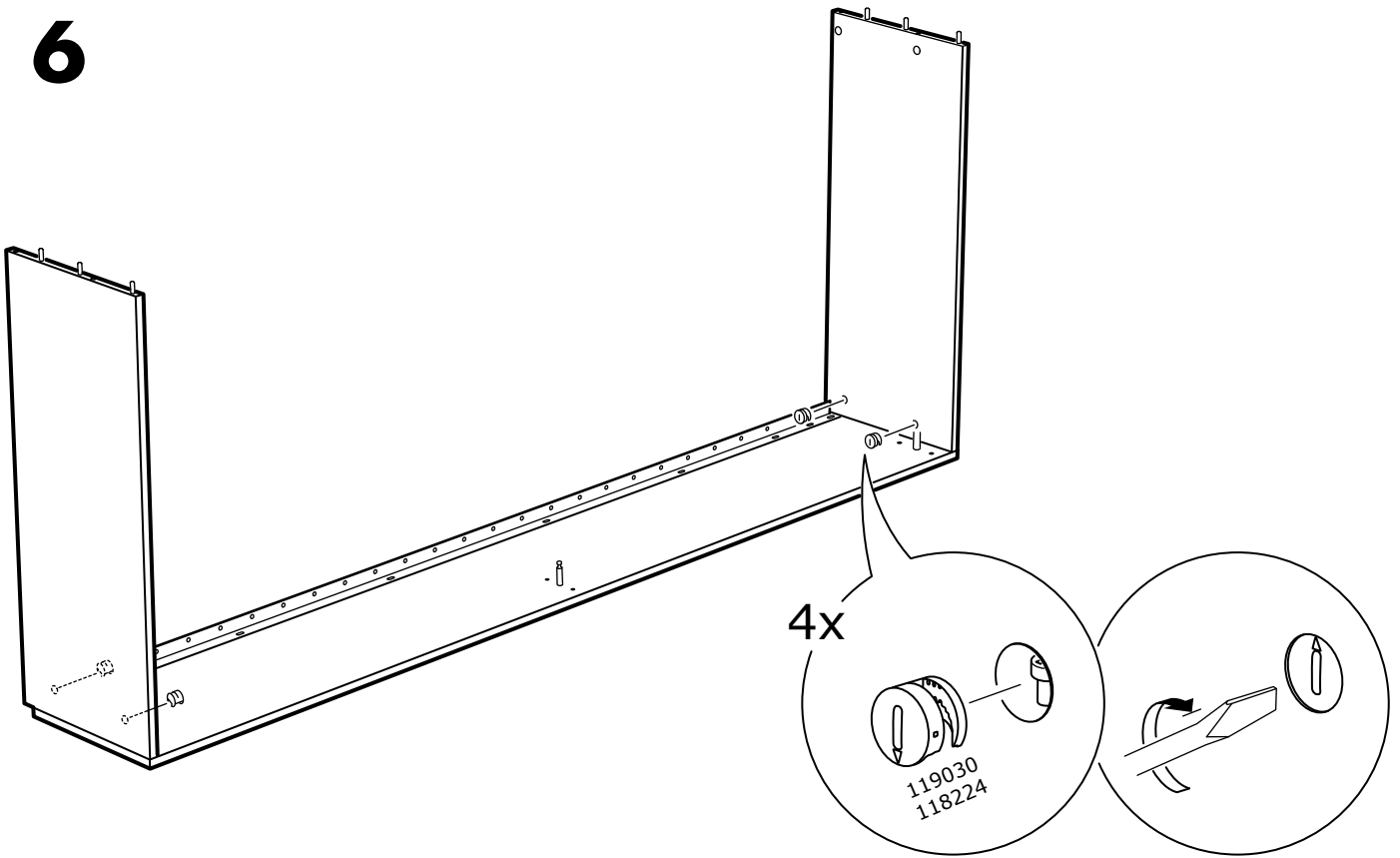
4



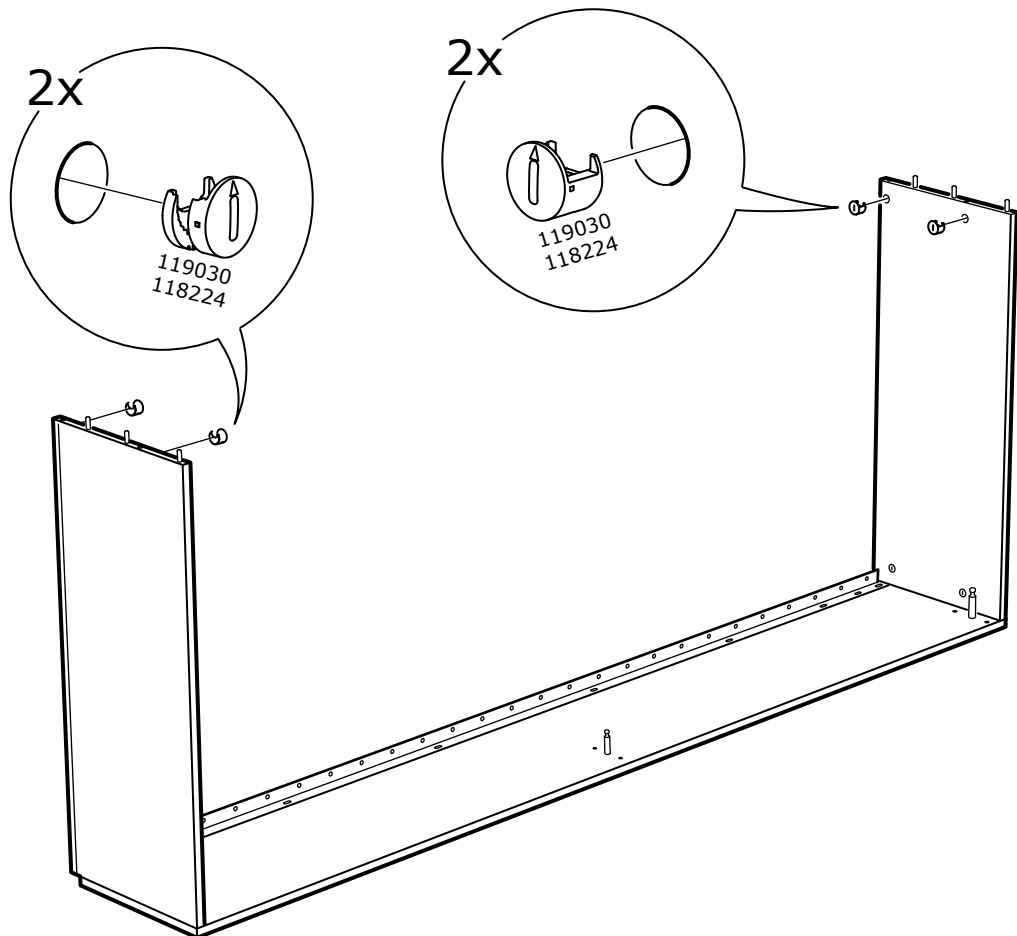
5



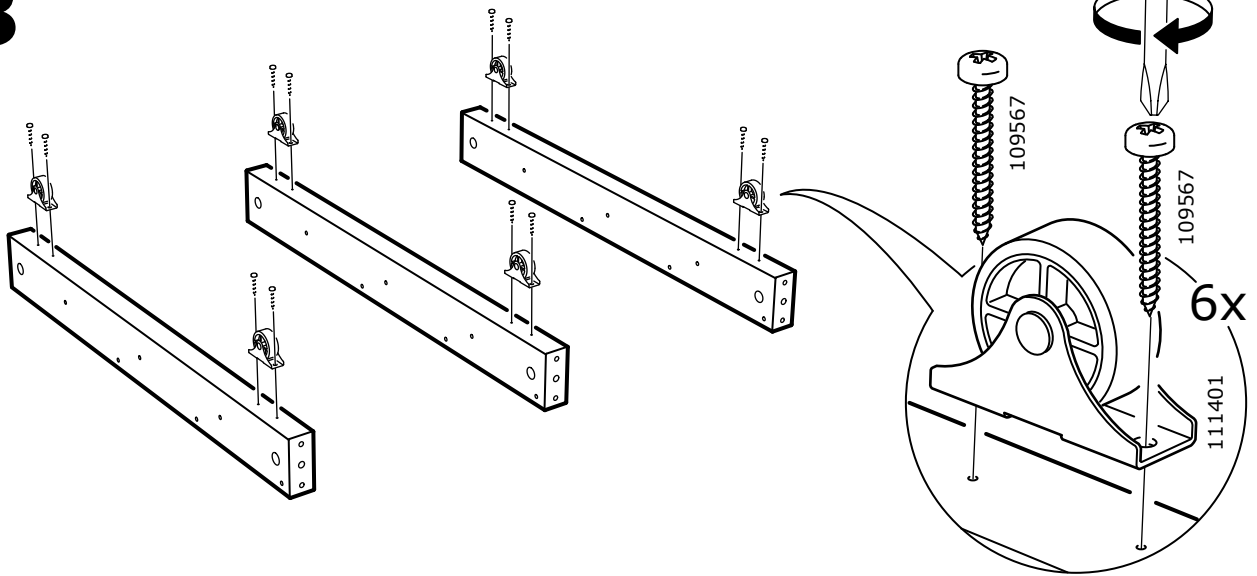
**6**



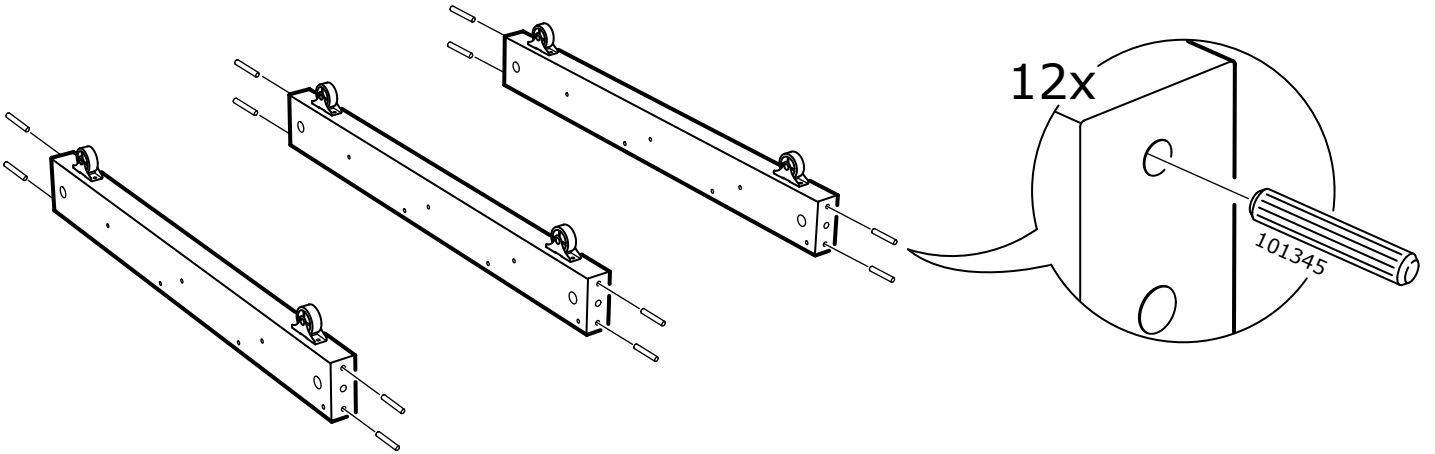
**7**



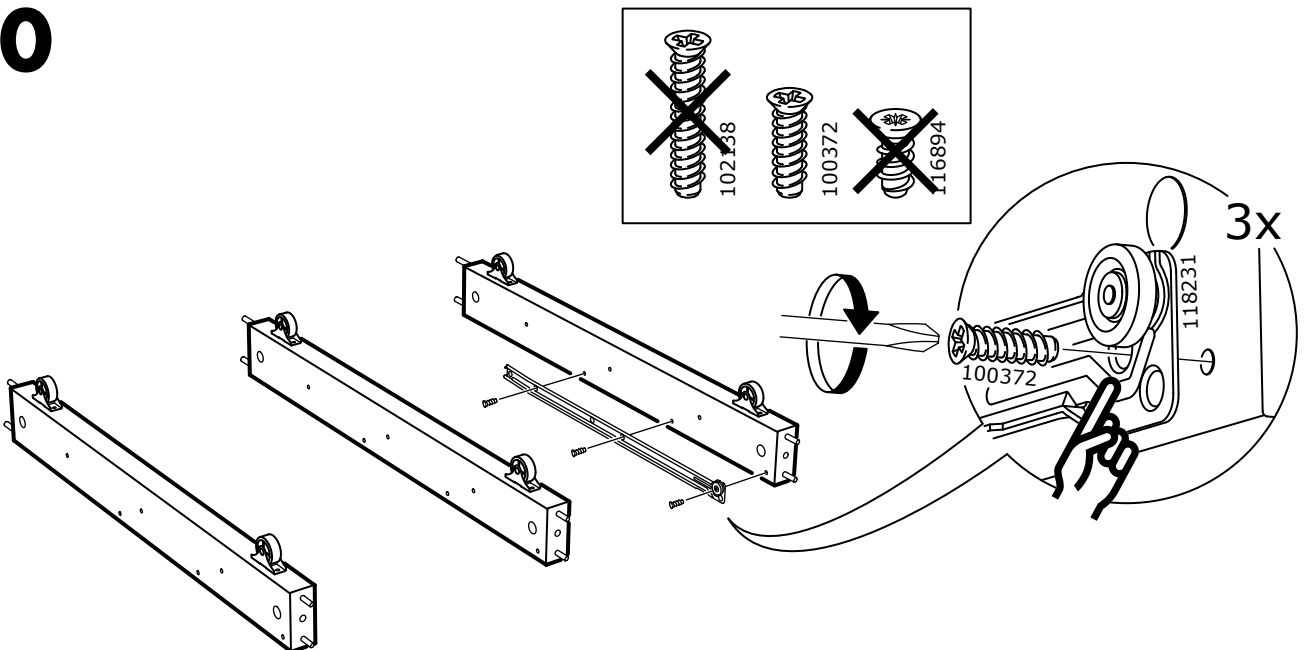
8



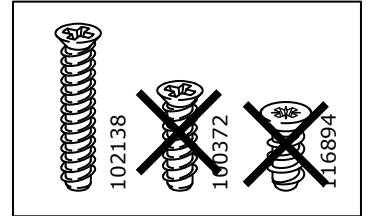
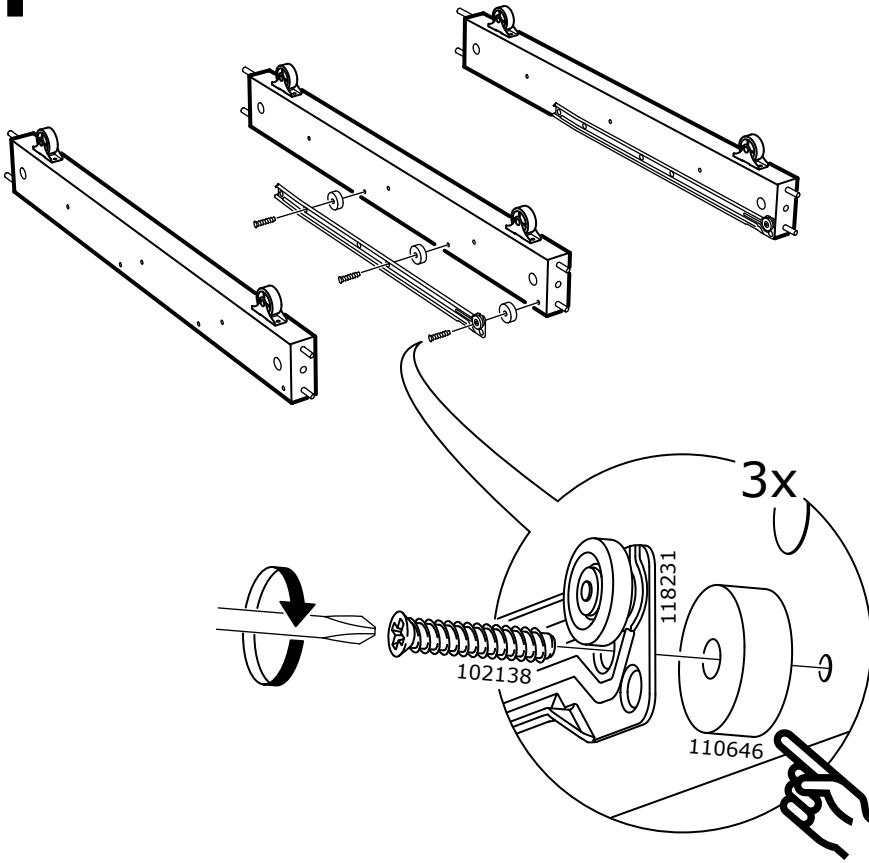
9



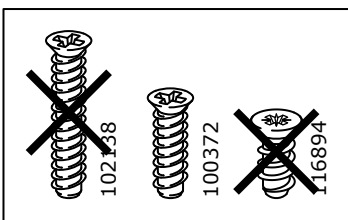
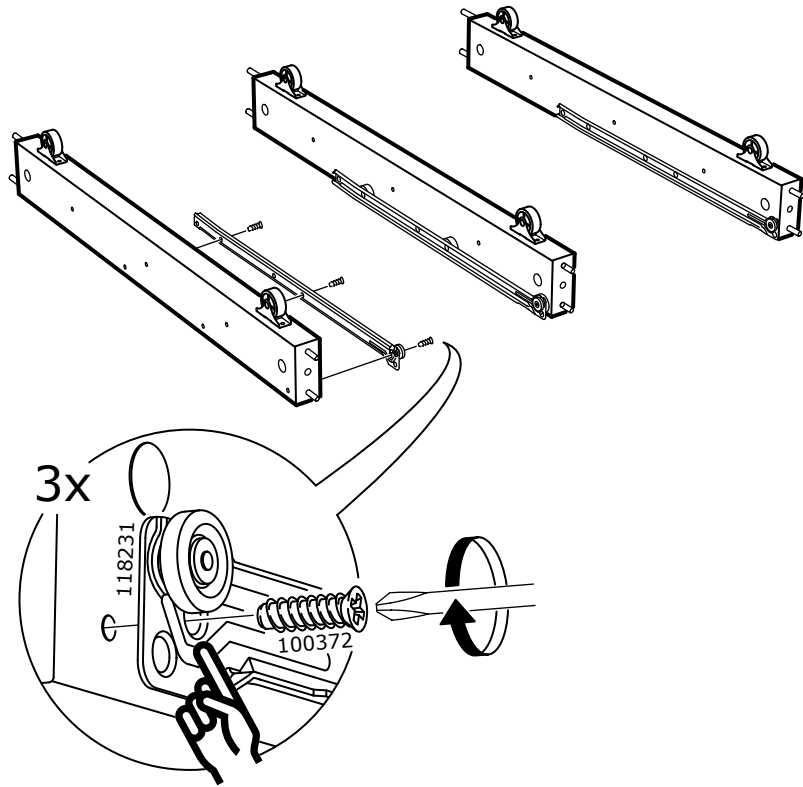
10



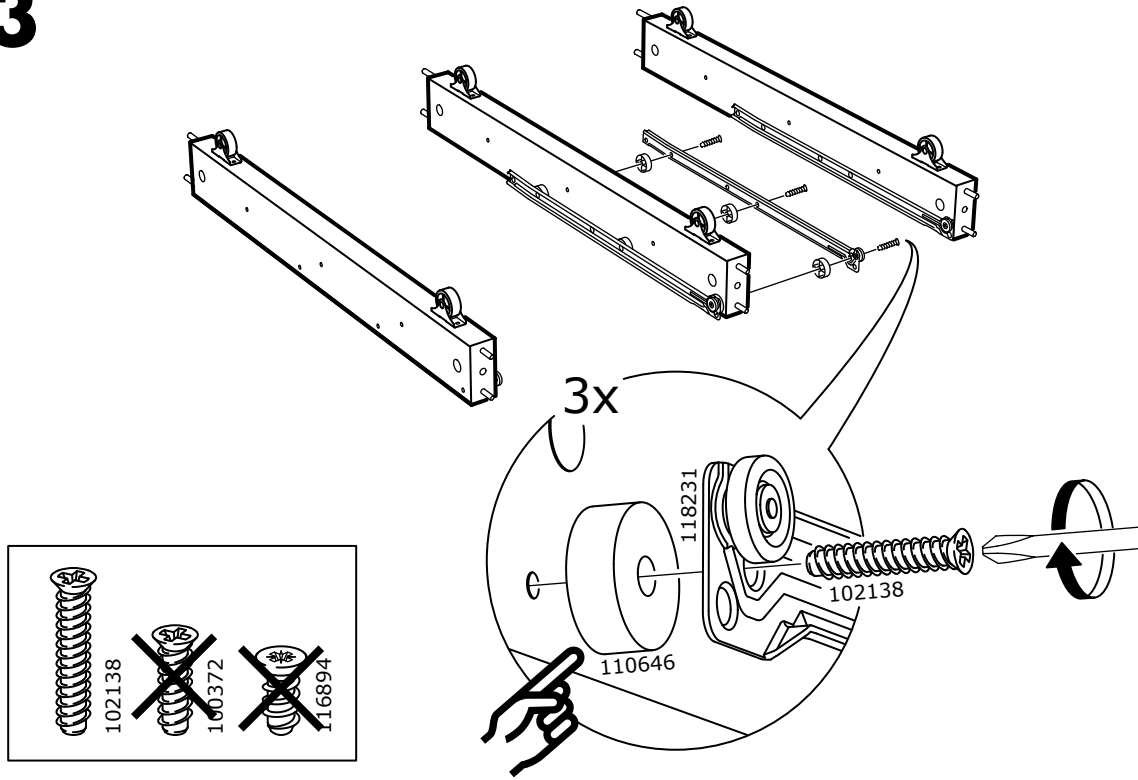
# 11



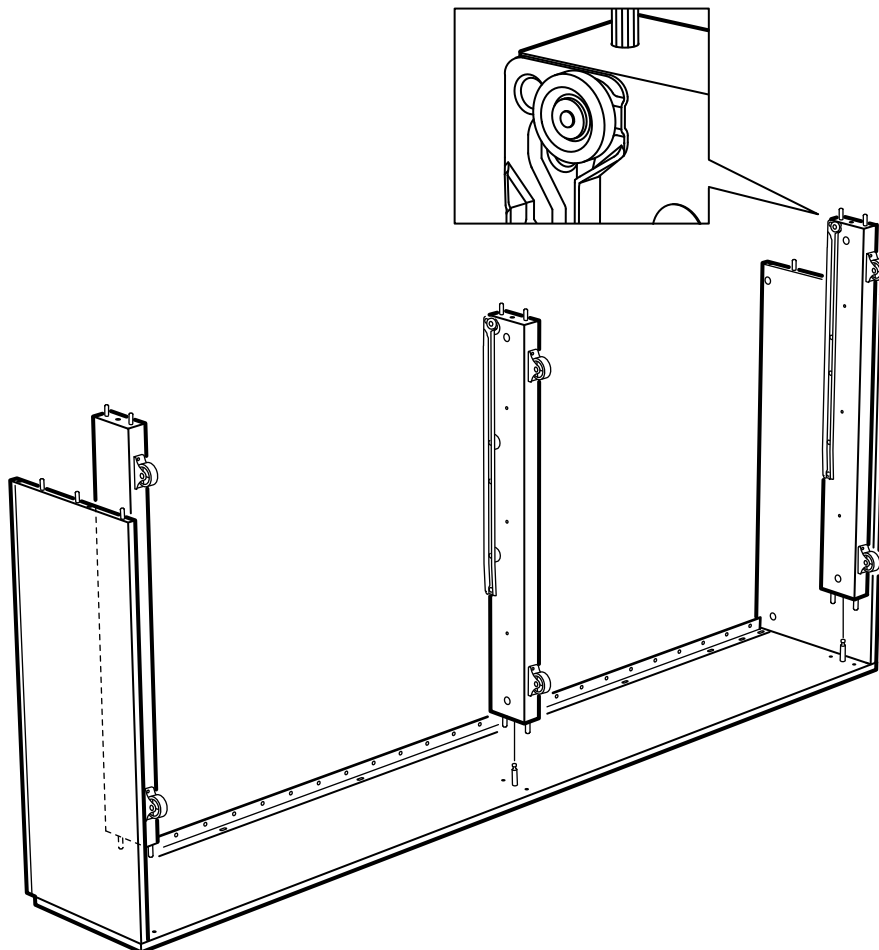
# 12



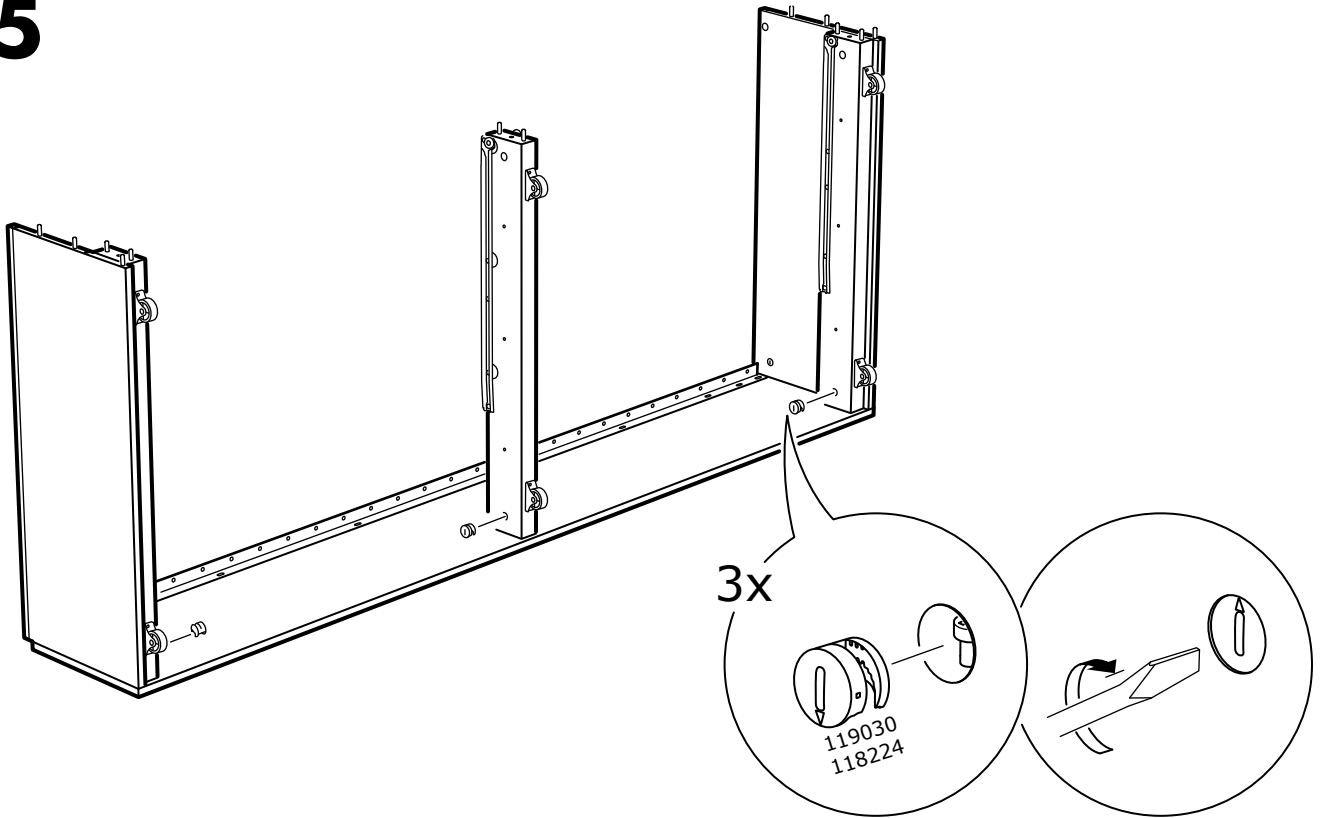
# 13



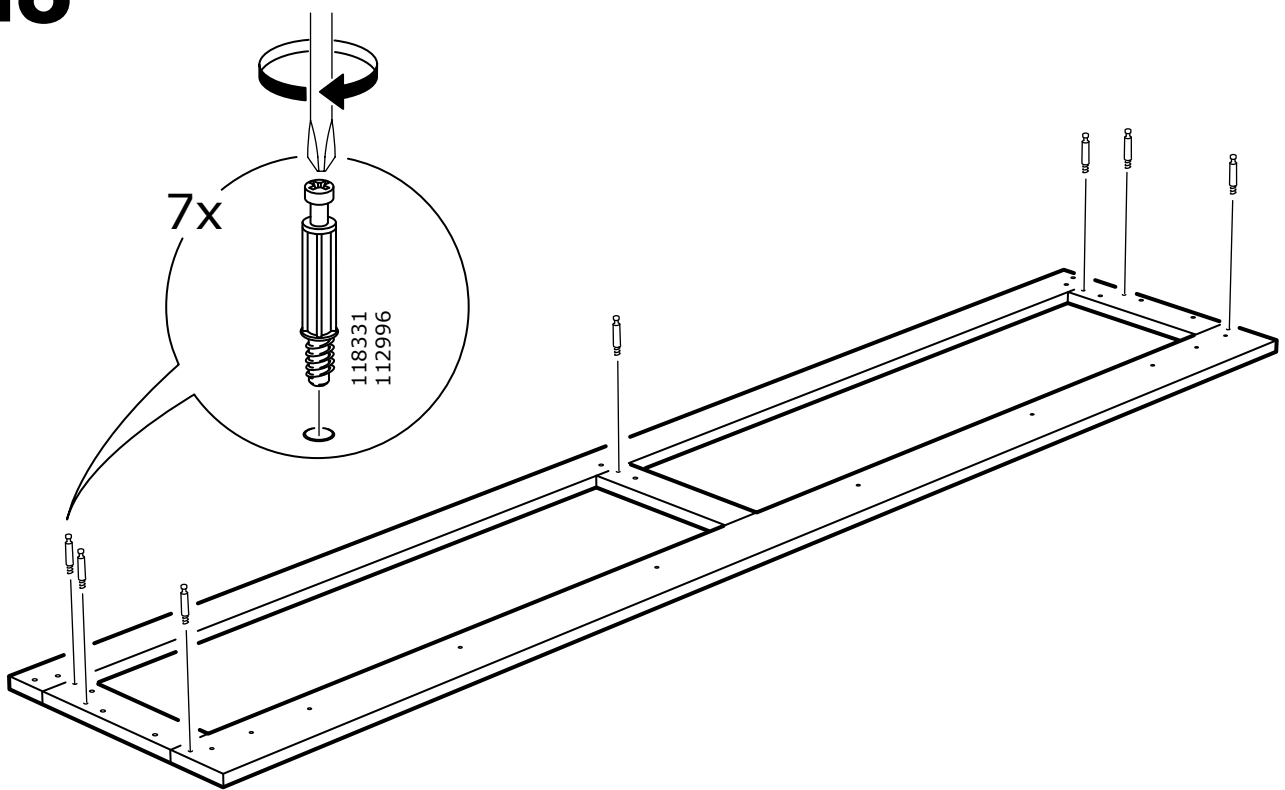
# 14



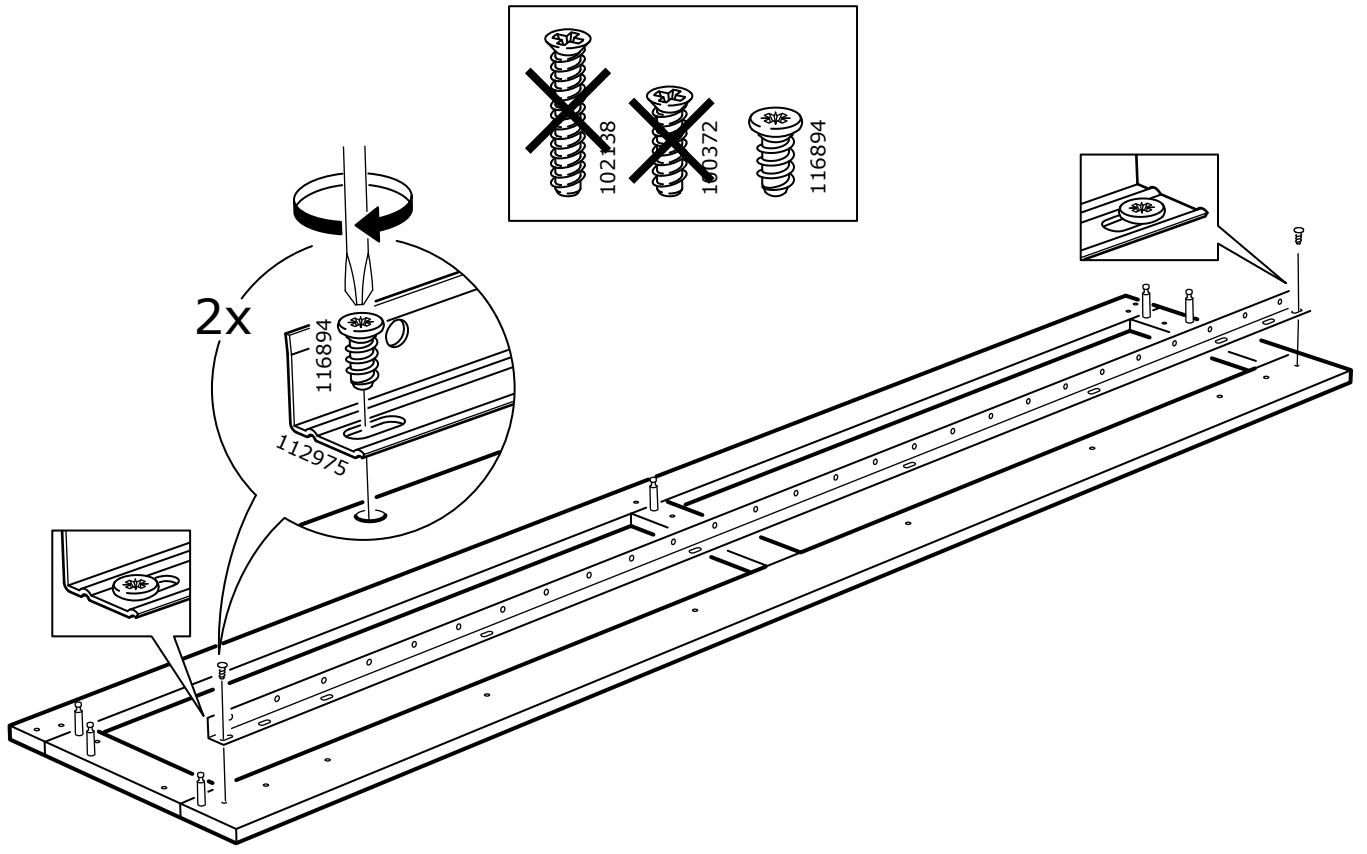
# 15



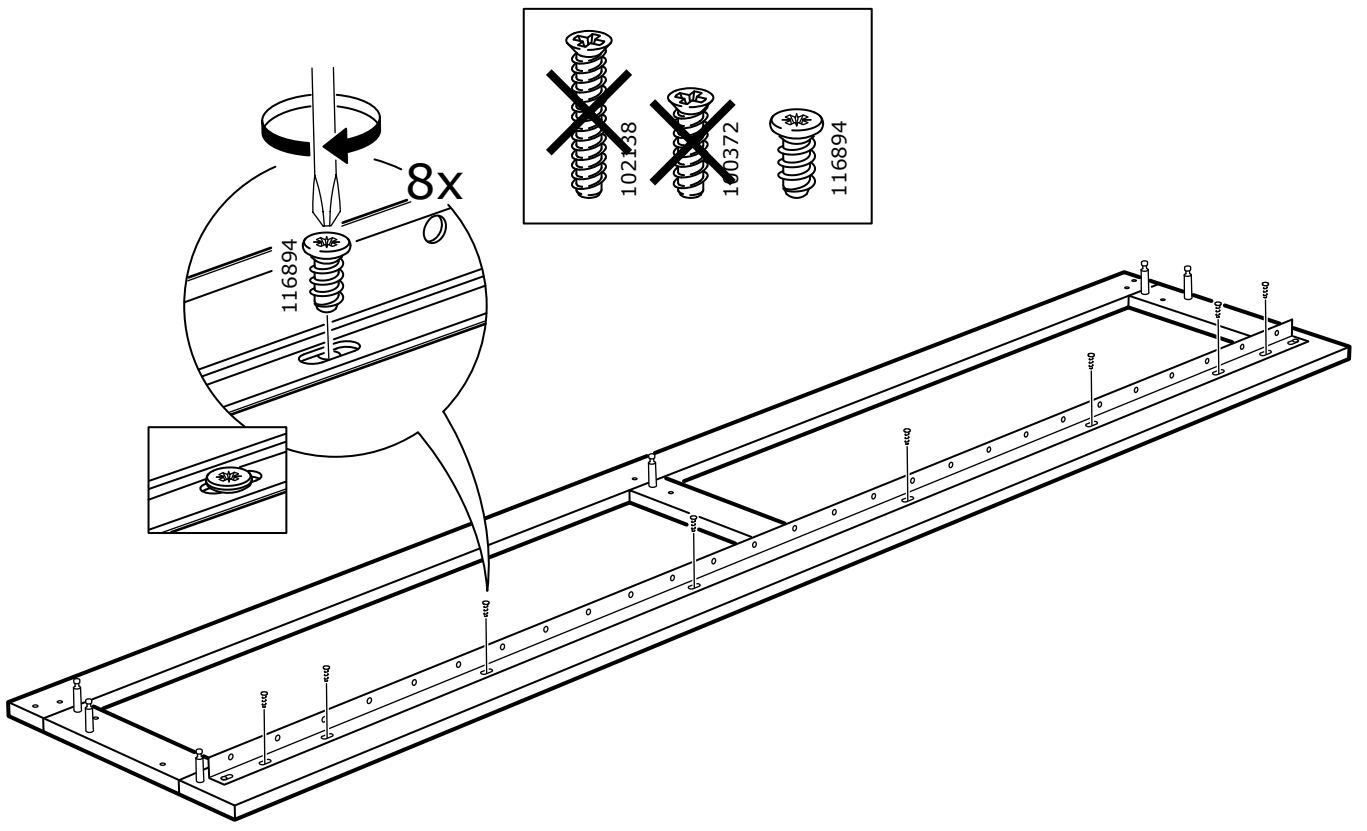
# 16



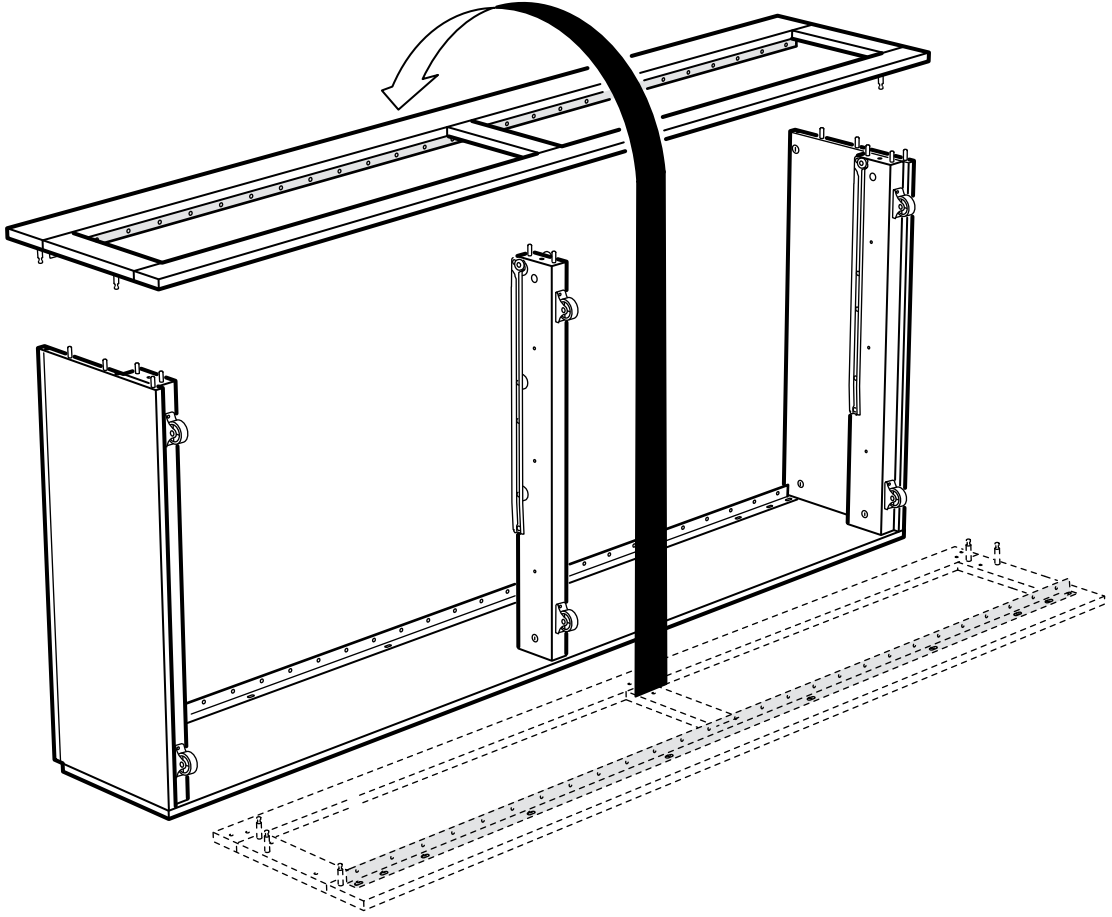
# 17



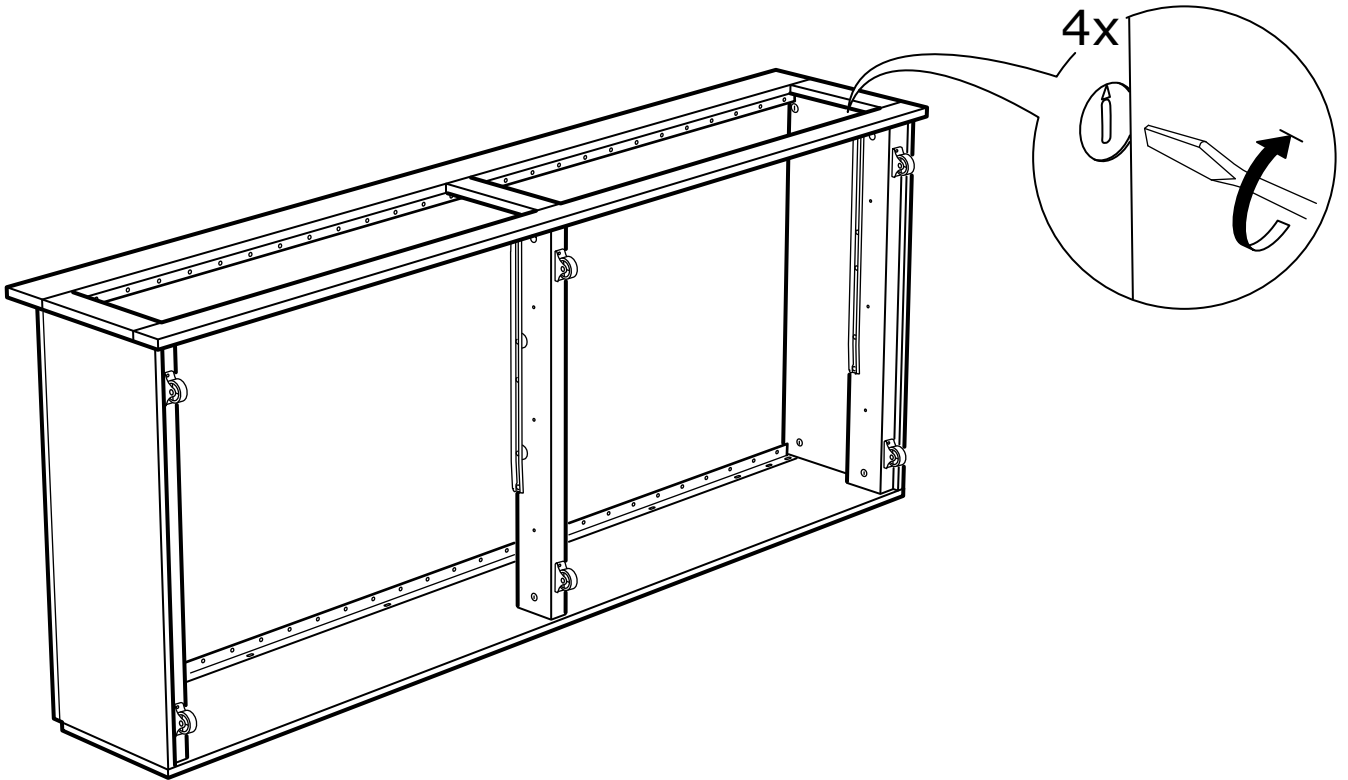
# 18



19

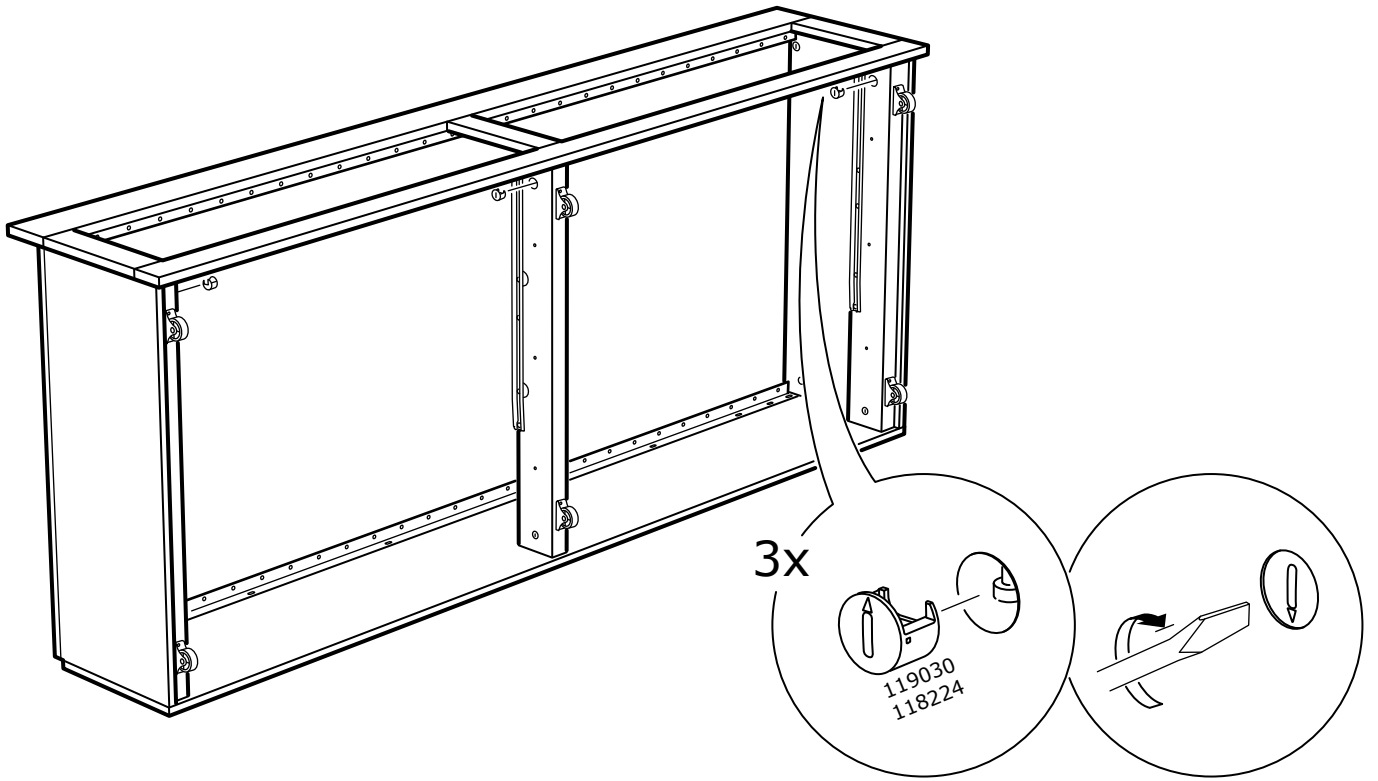


20

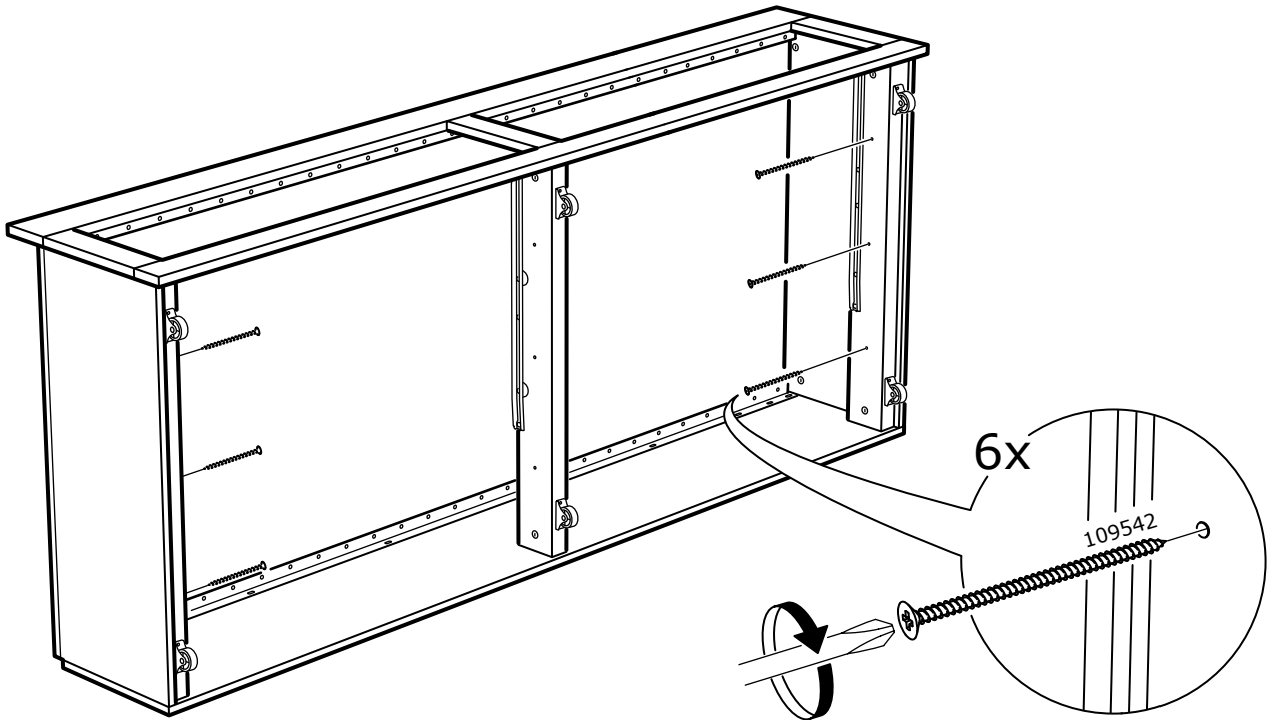




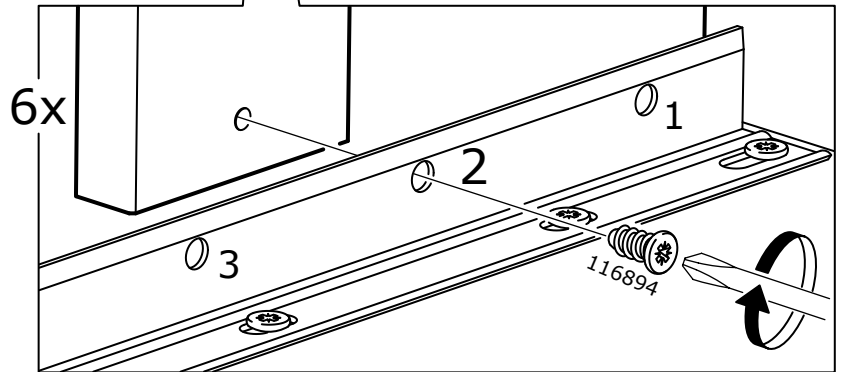
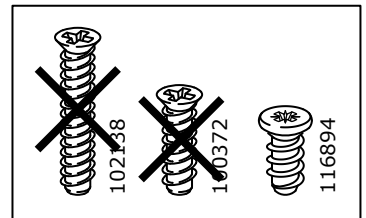
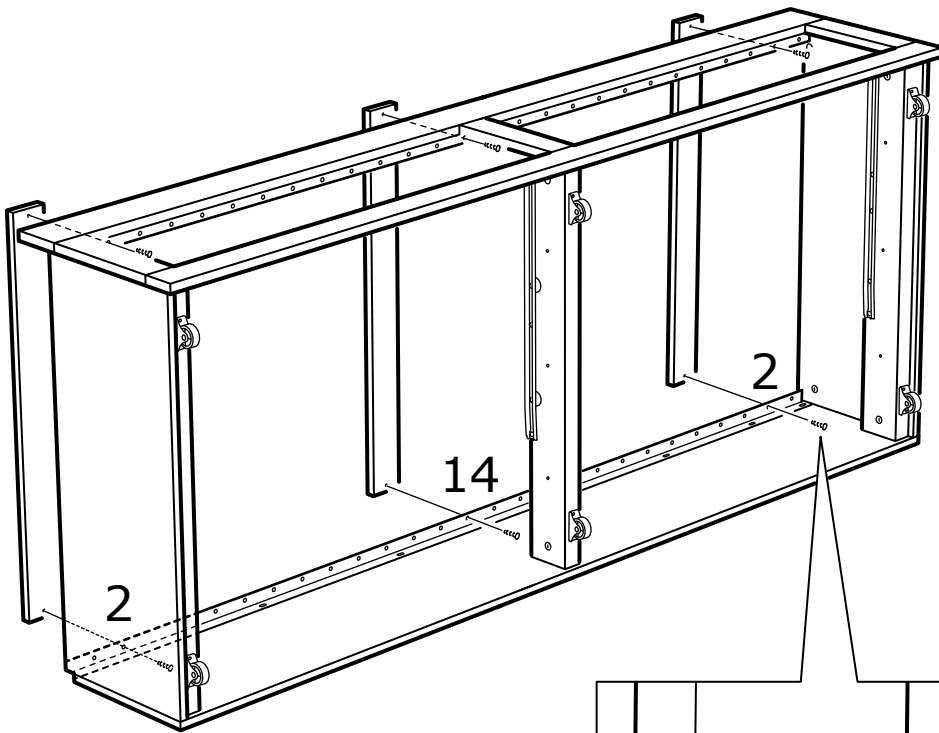
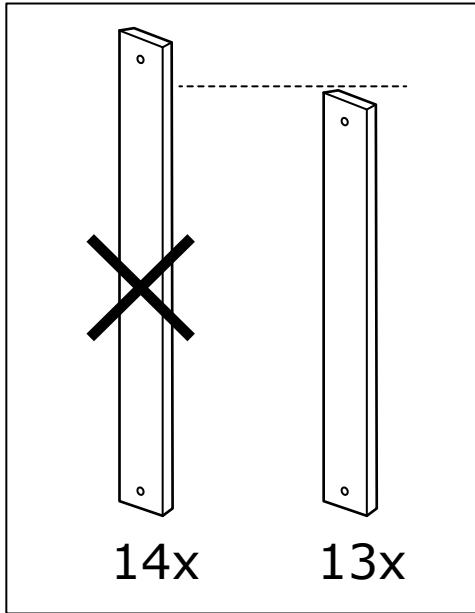
# 21



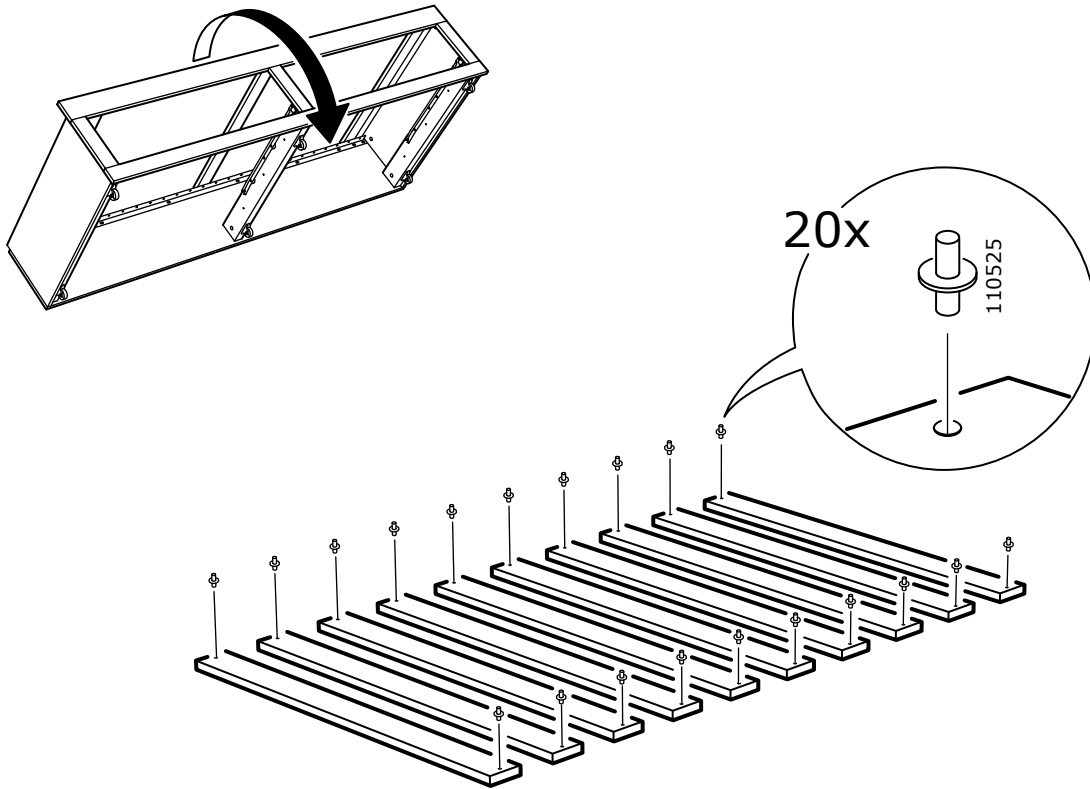
# 22



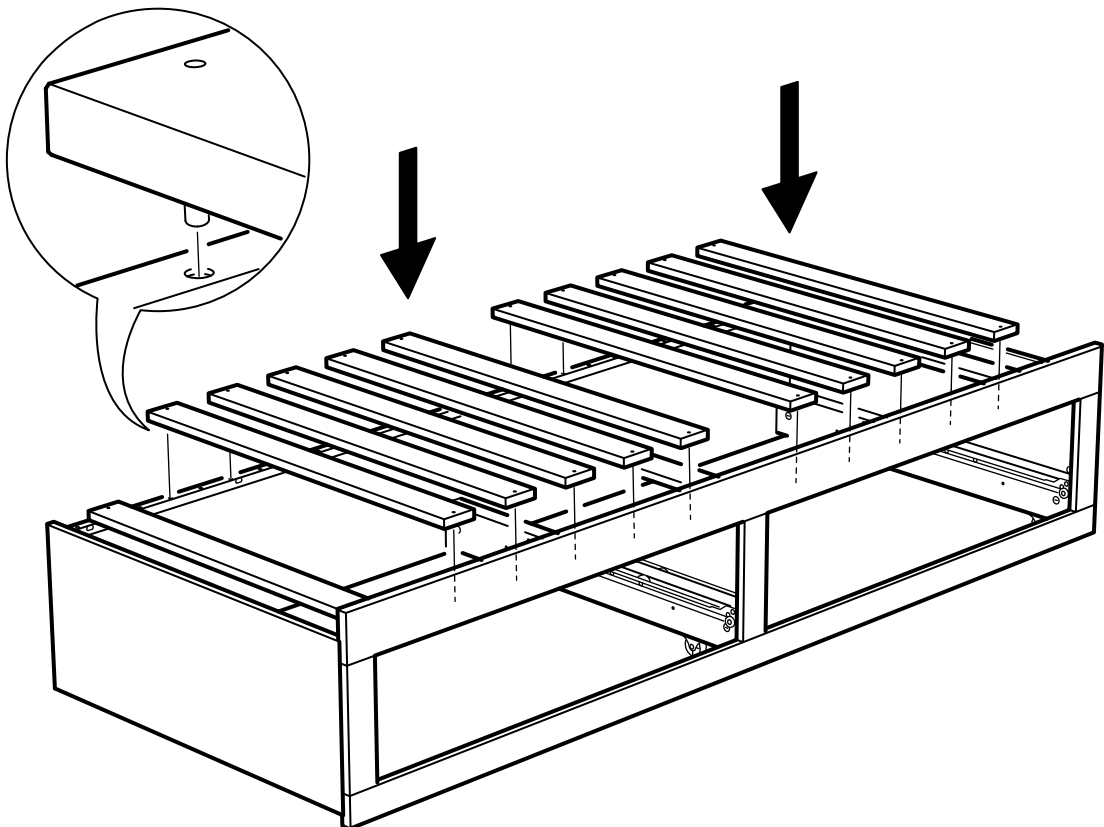
# 23

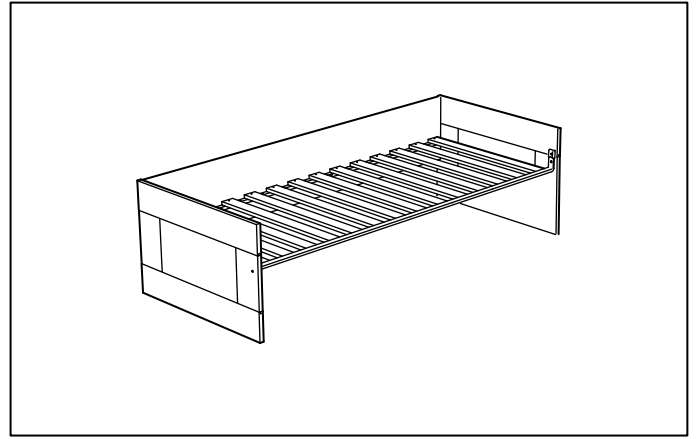
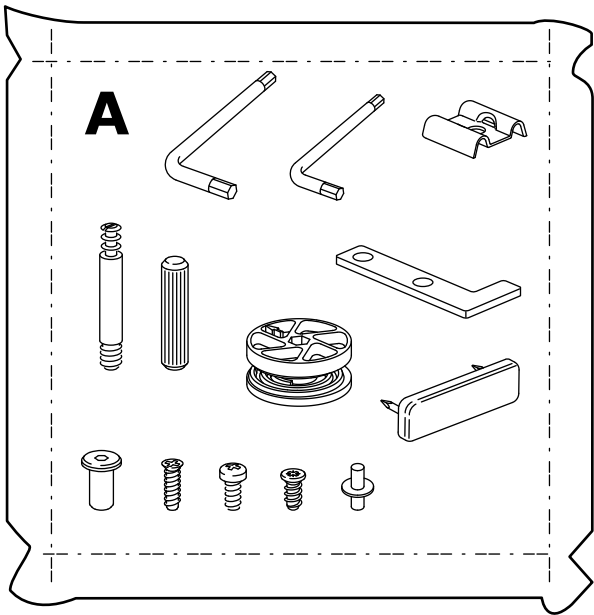


# 24

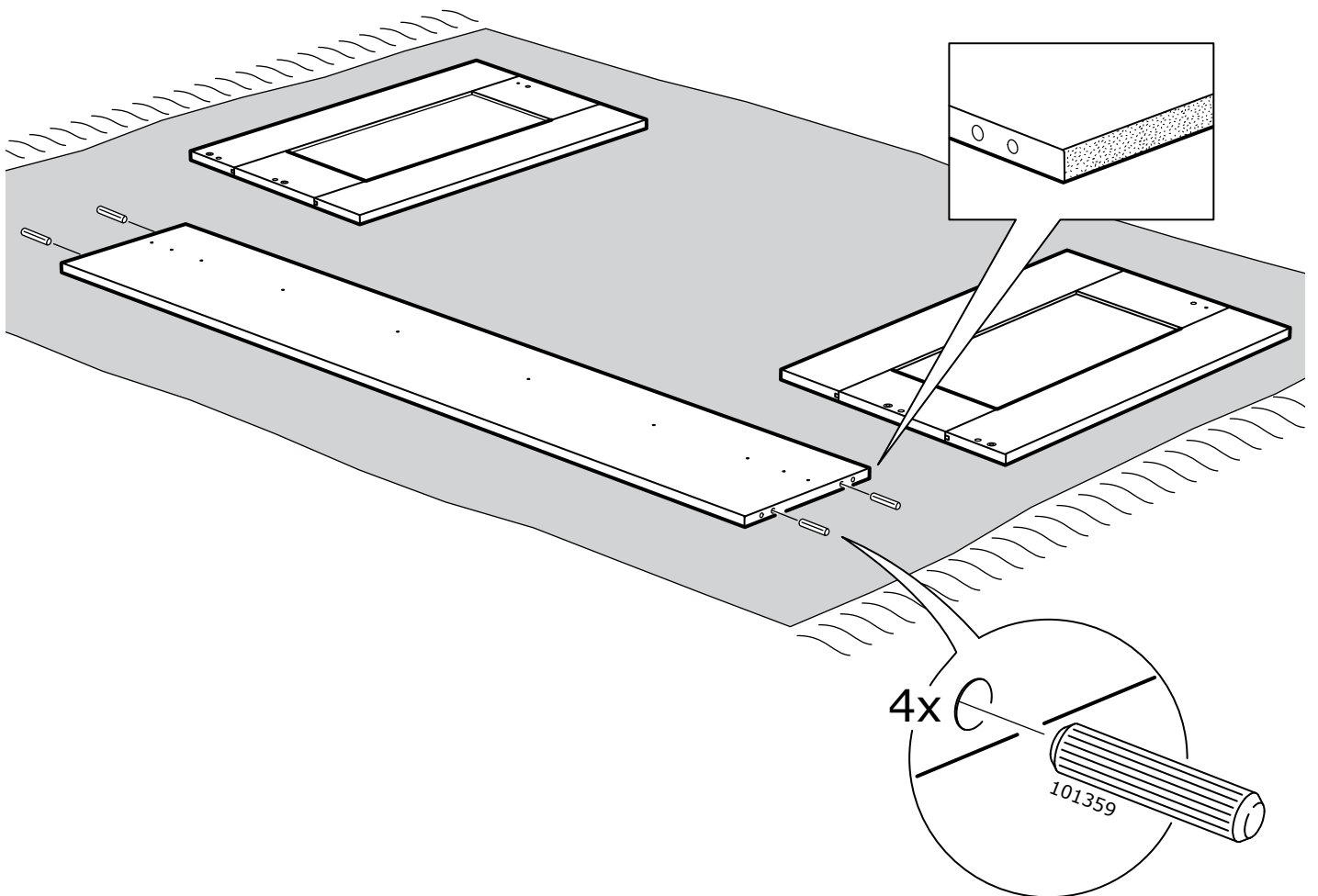


# 25

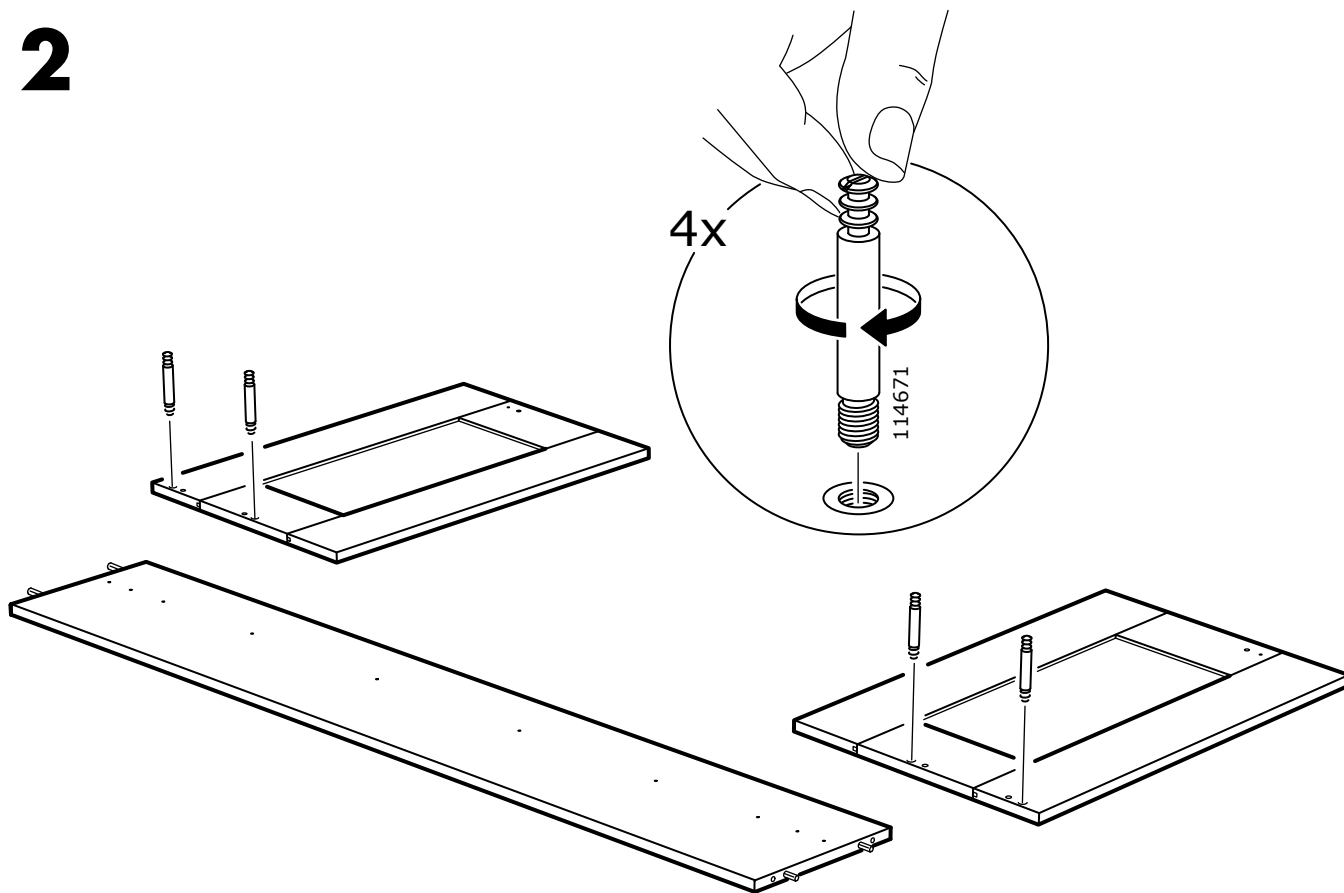




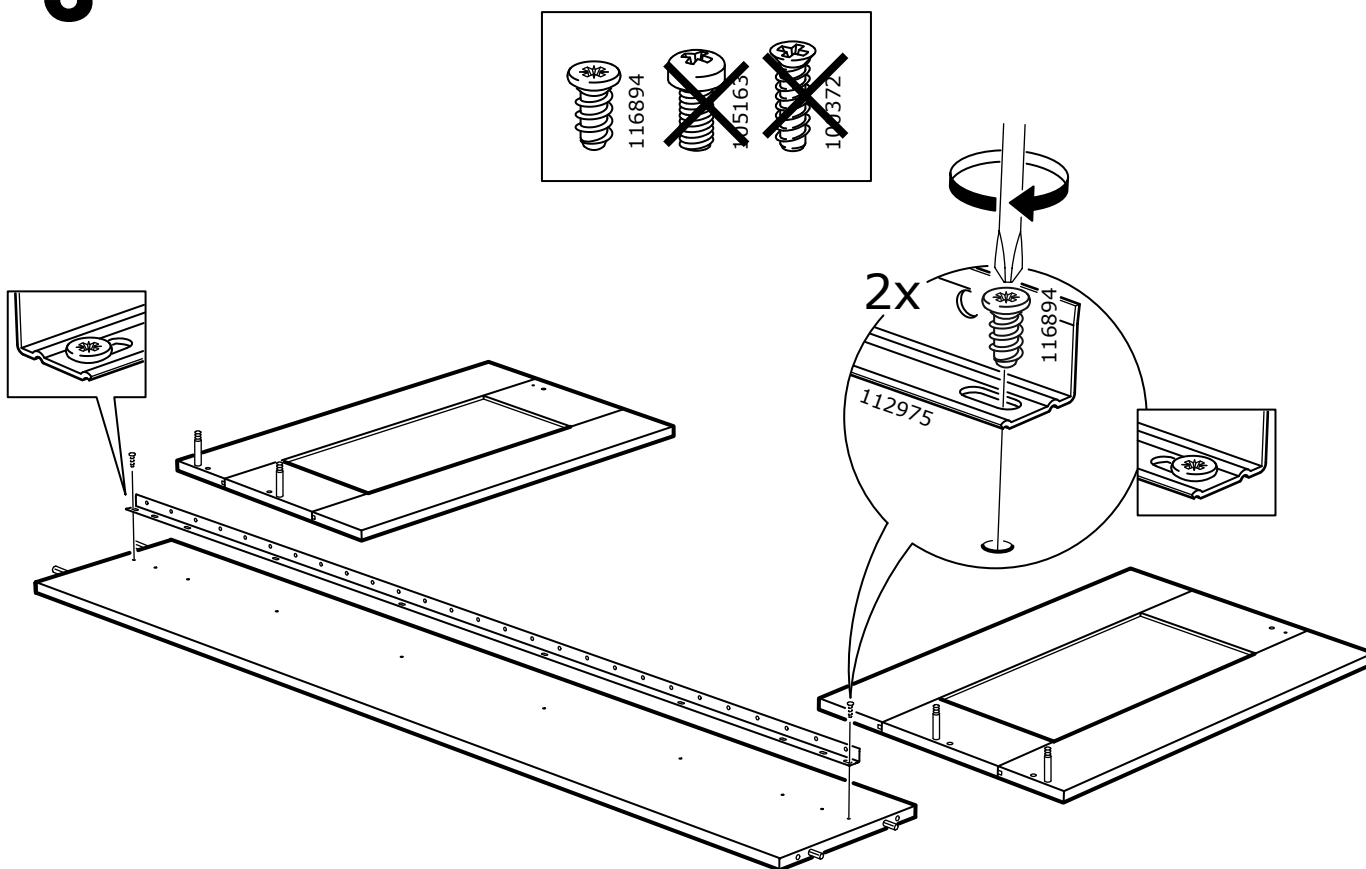
**1**



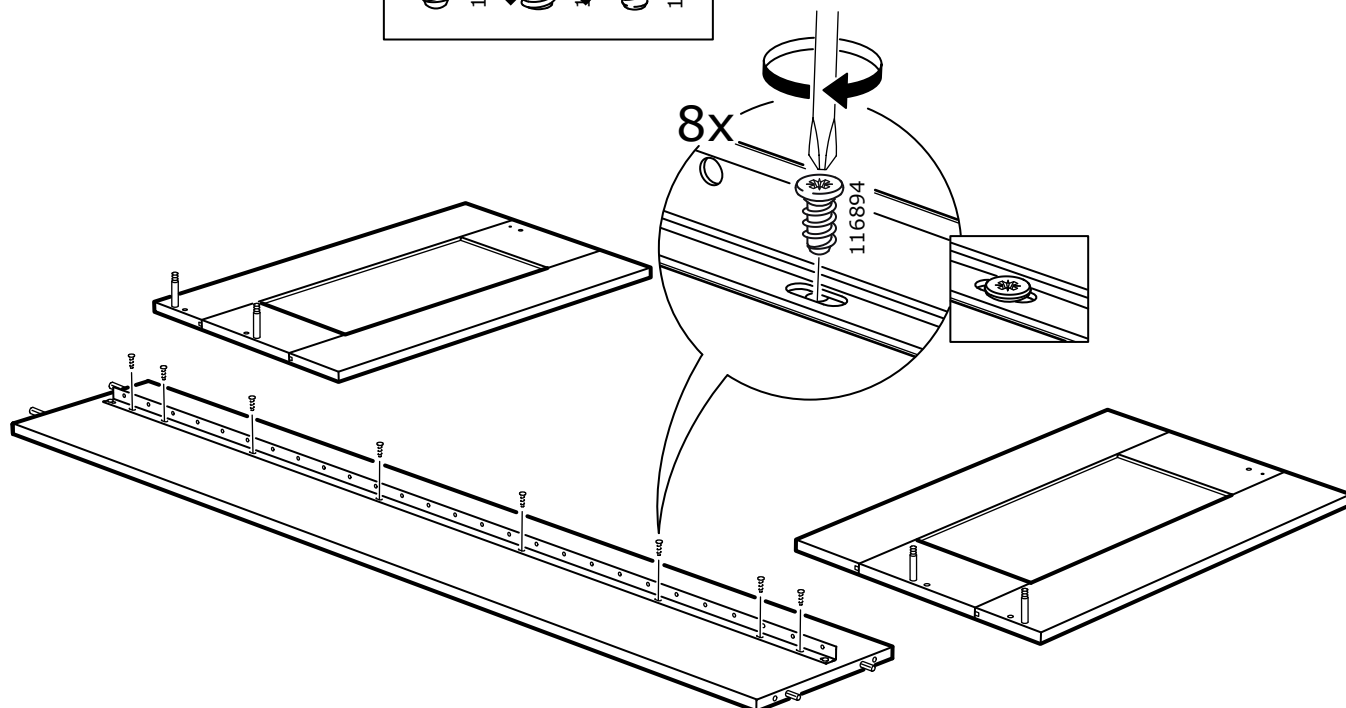
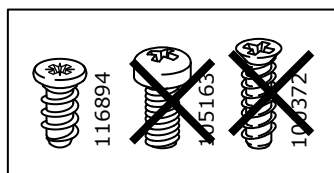
# 2



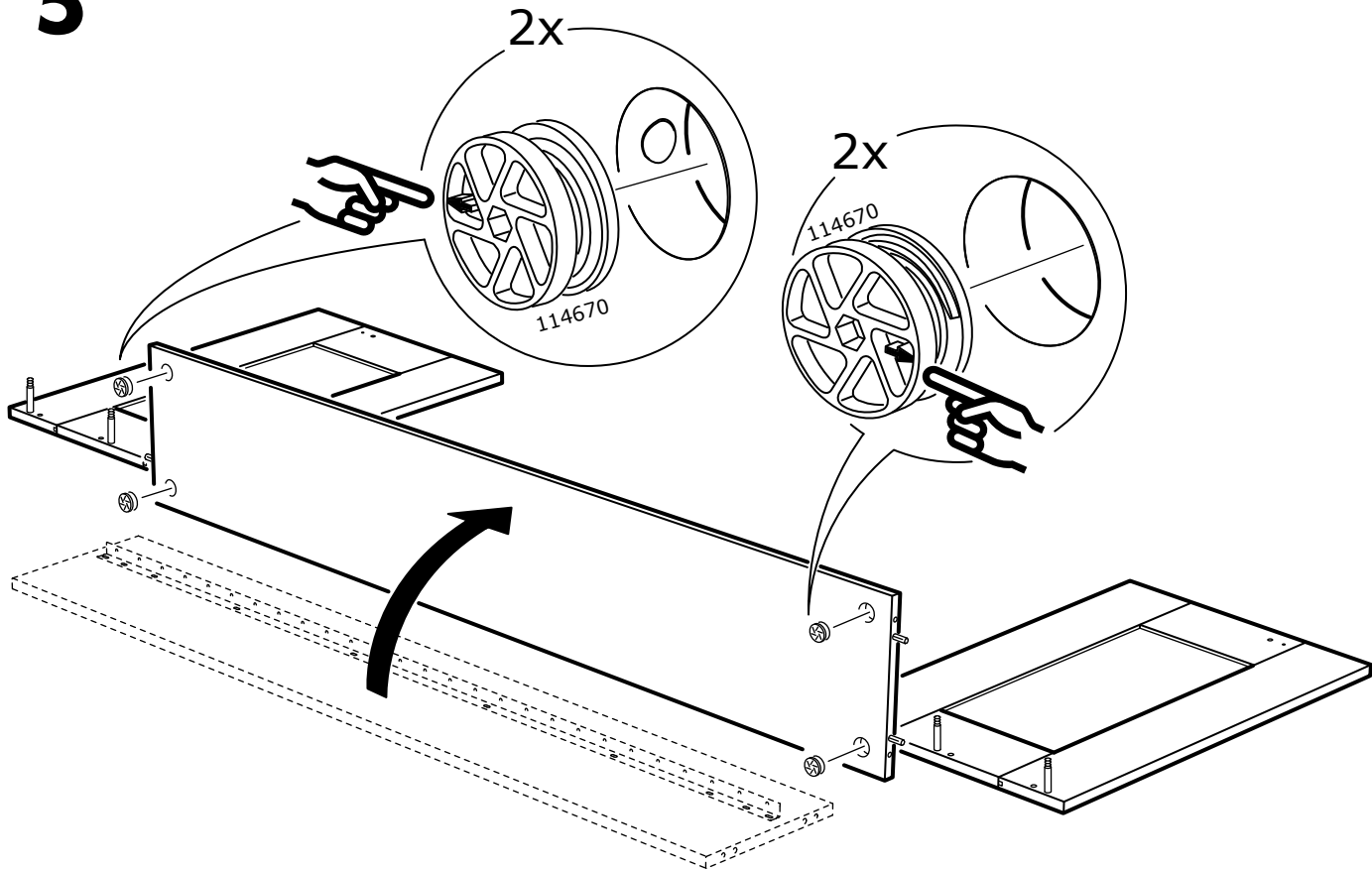
# 3



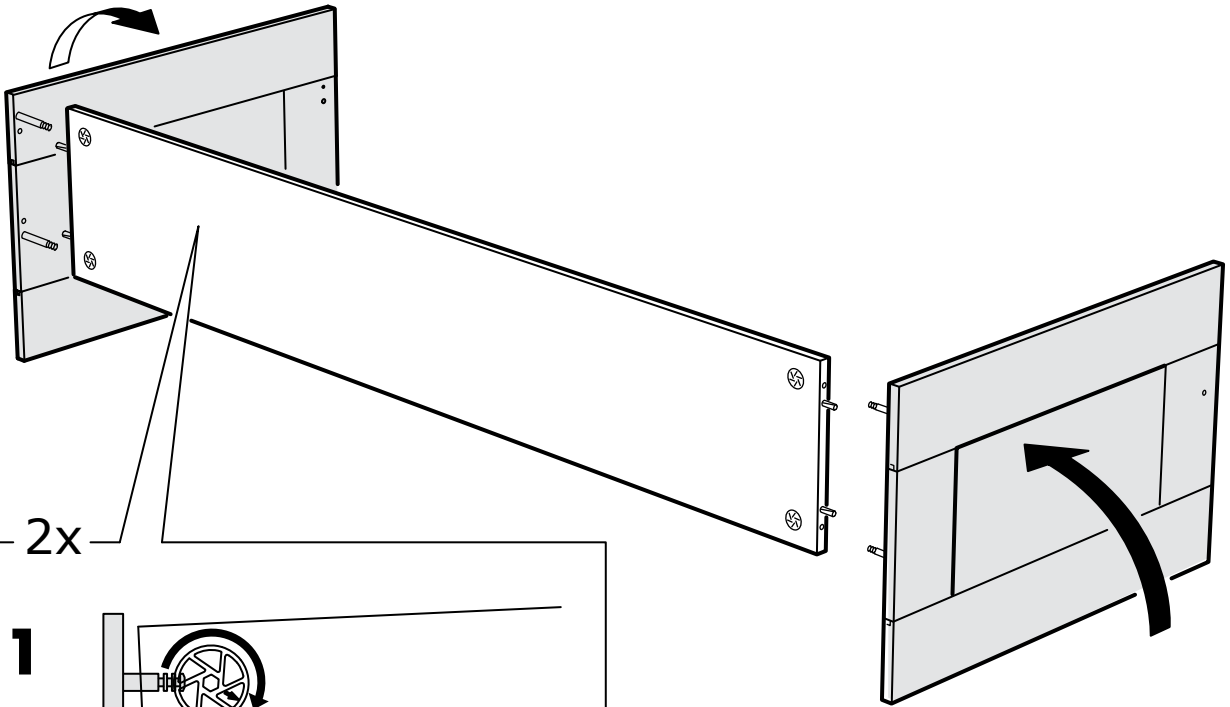
# 4



# 5

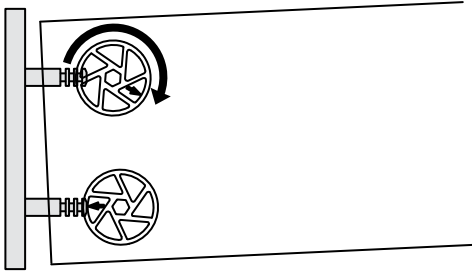


**6**

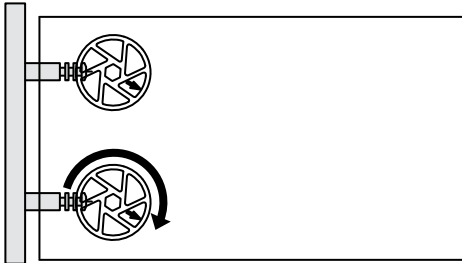


2x

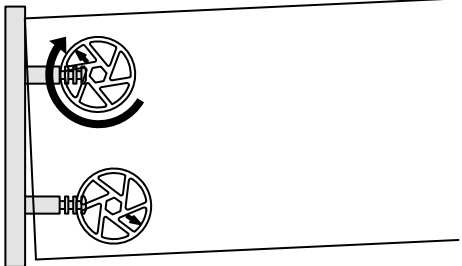
**1**



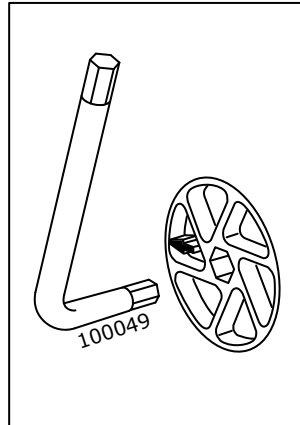
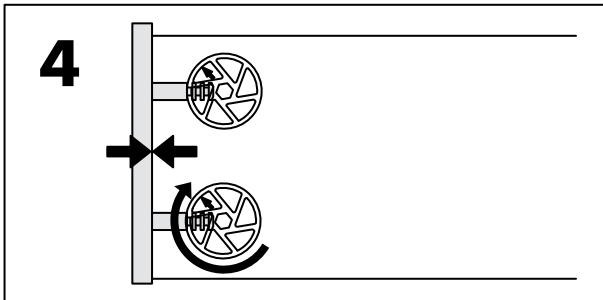
**2**



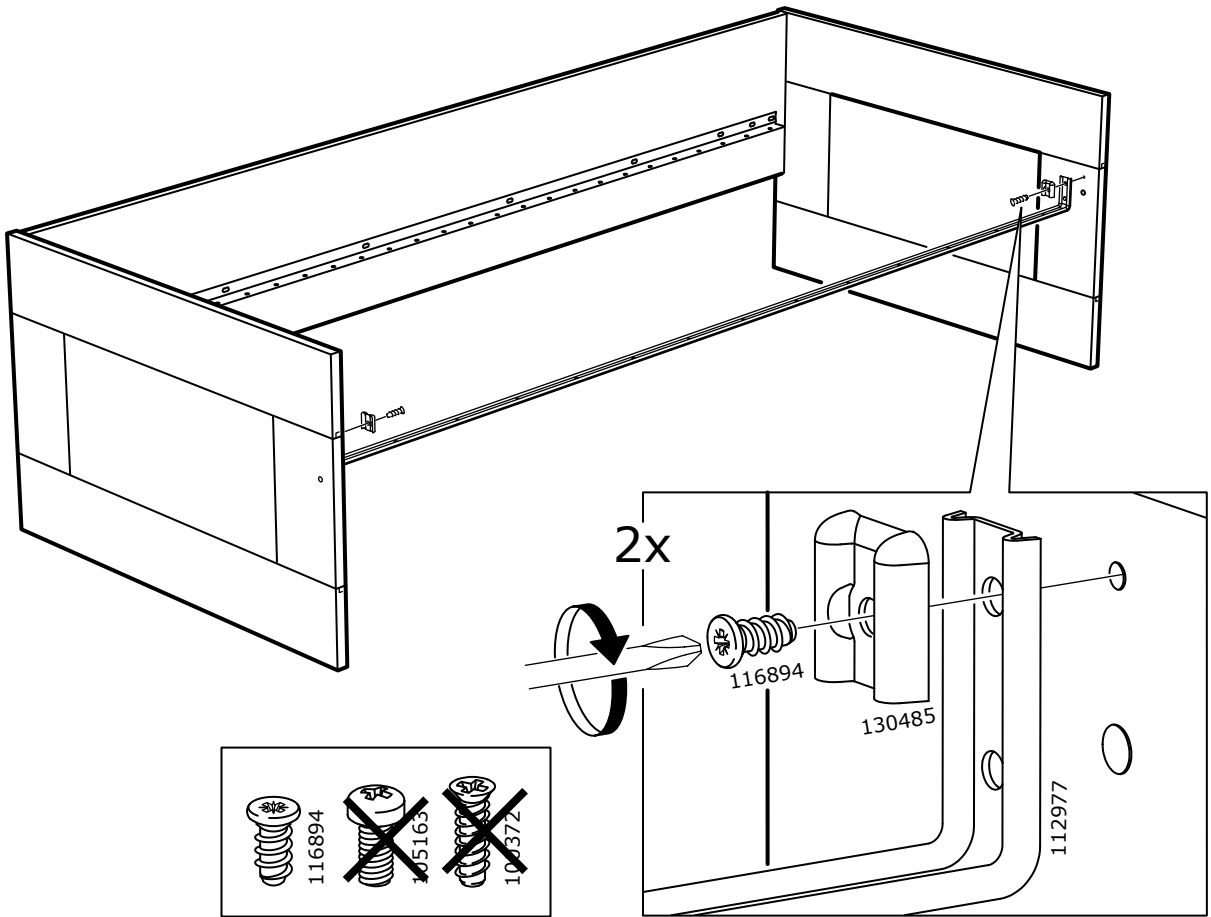
**3**



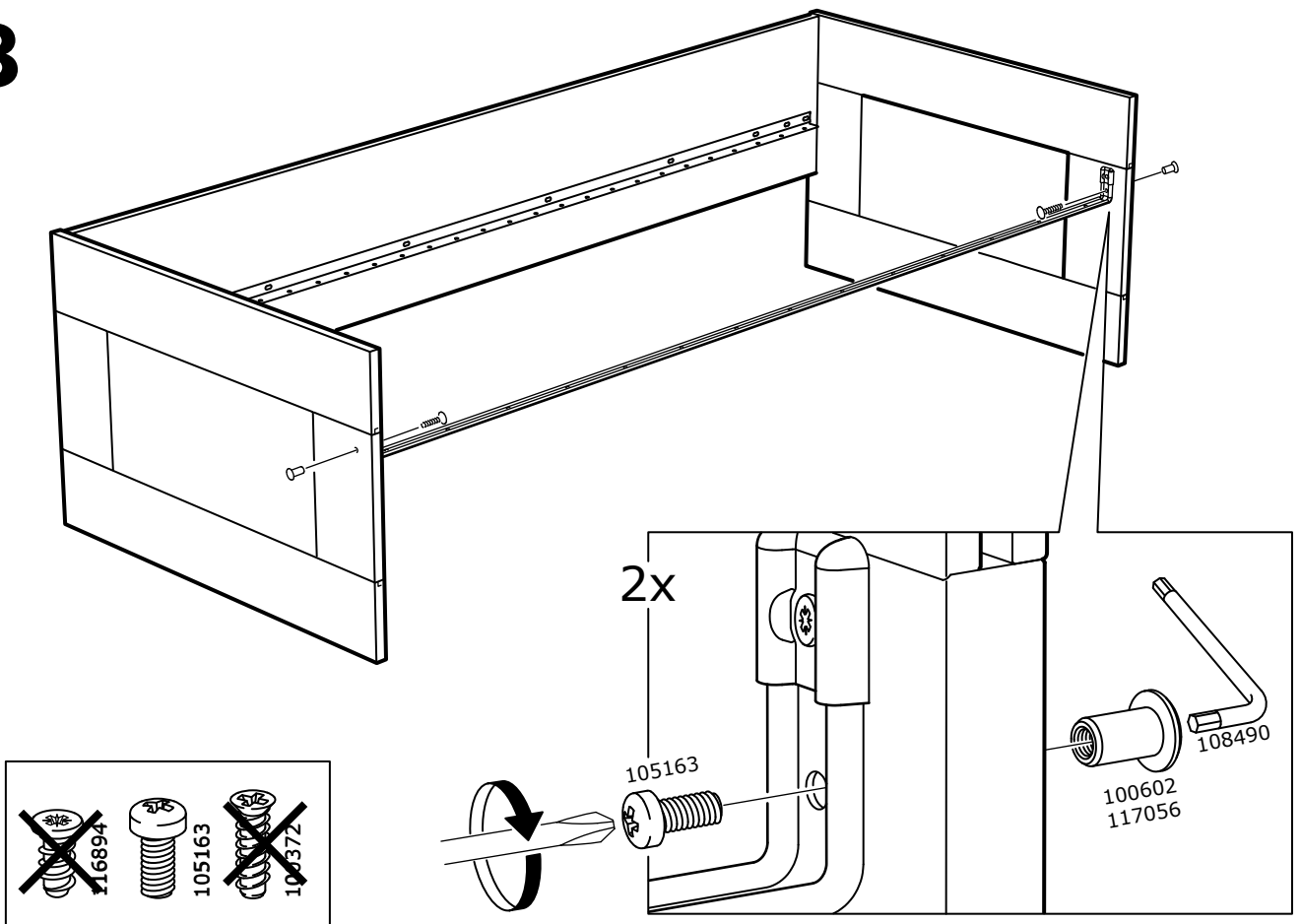
**4**



7

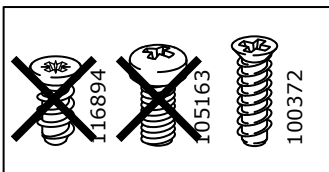
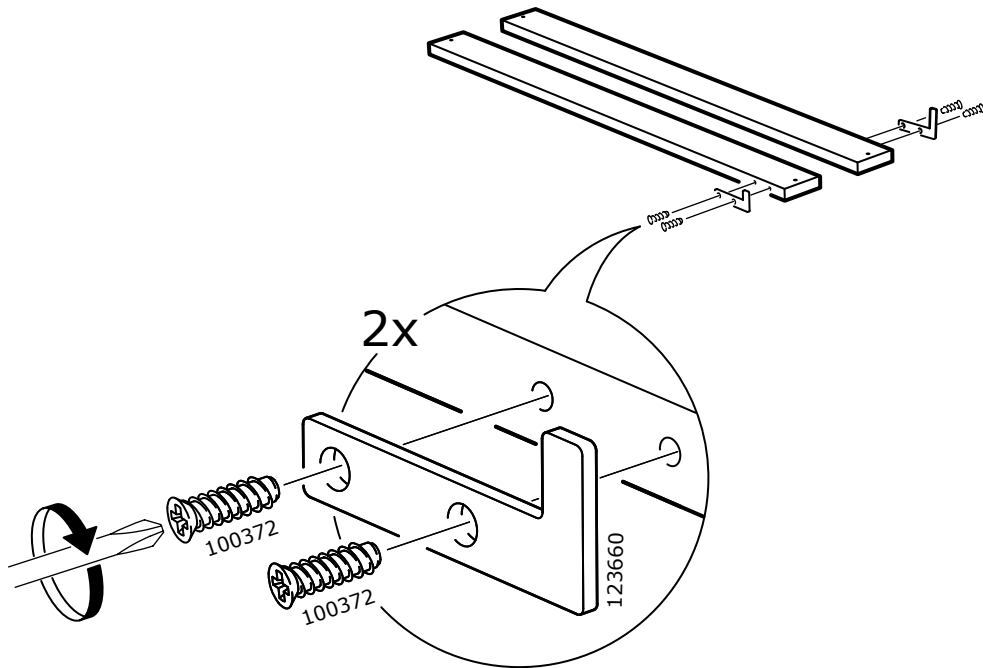
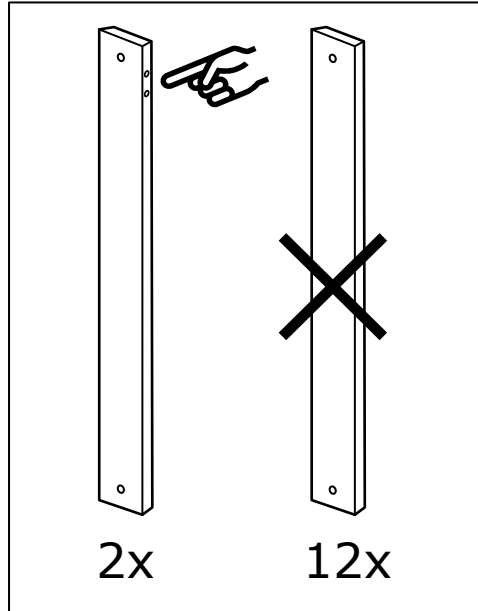


8

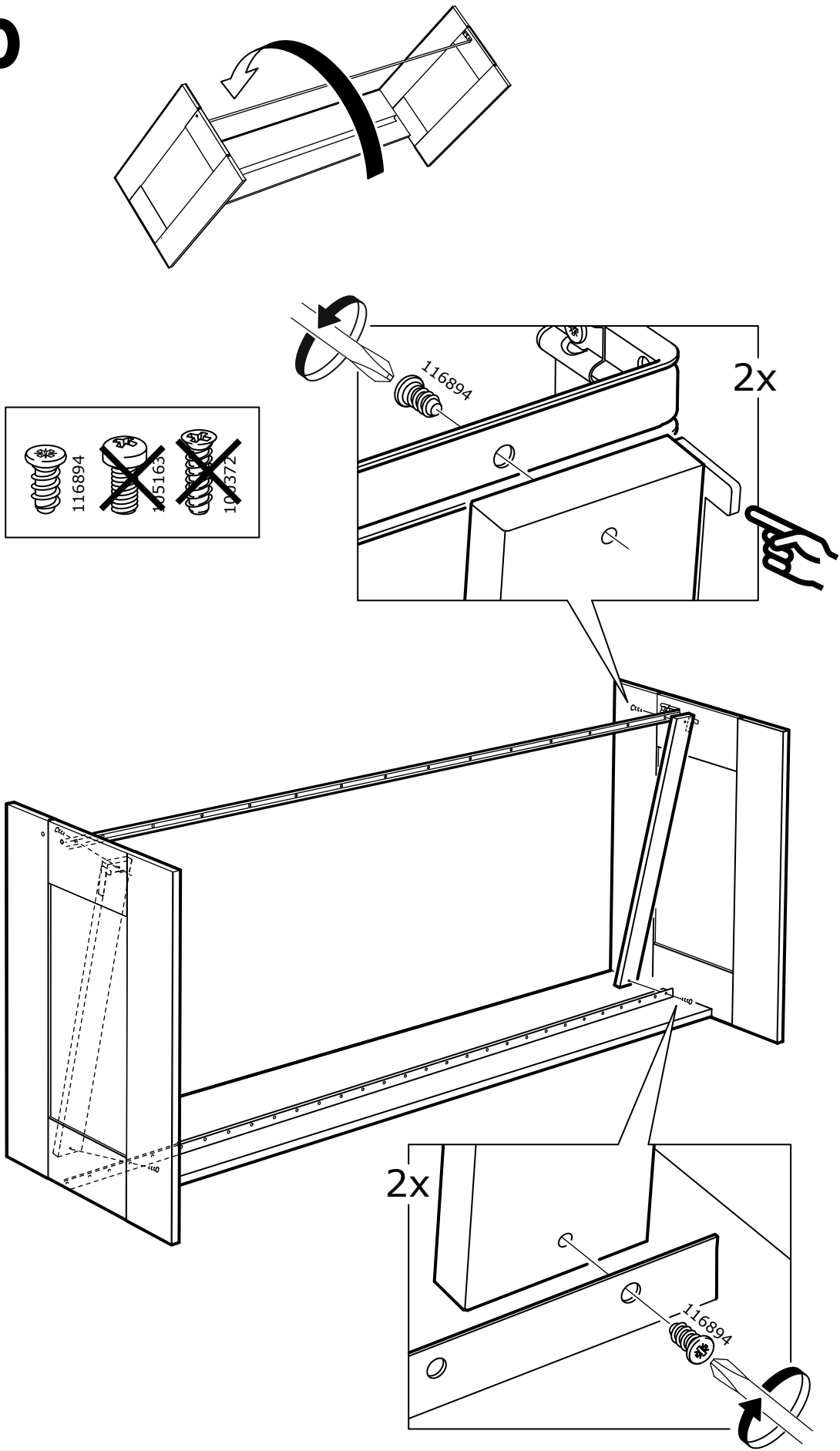




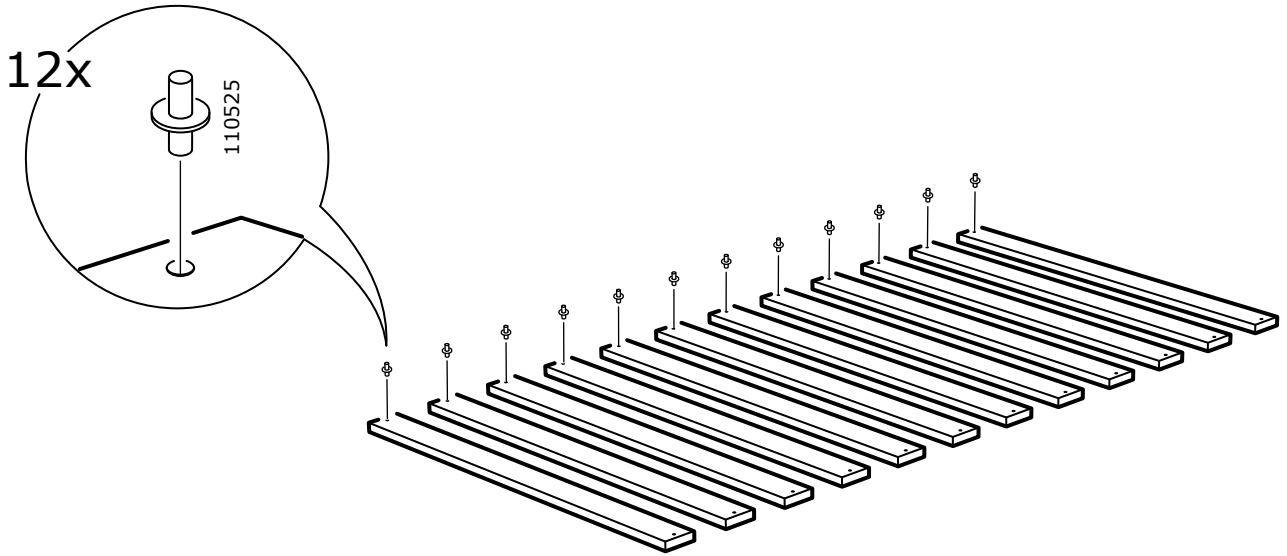
9



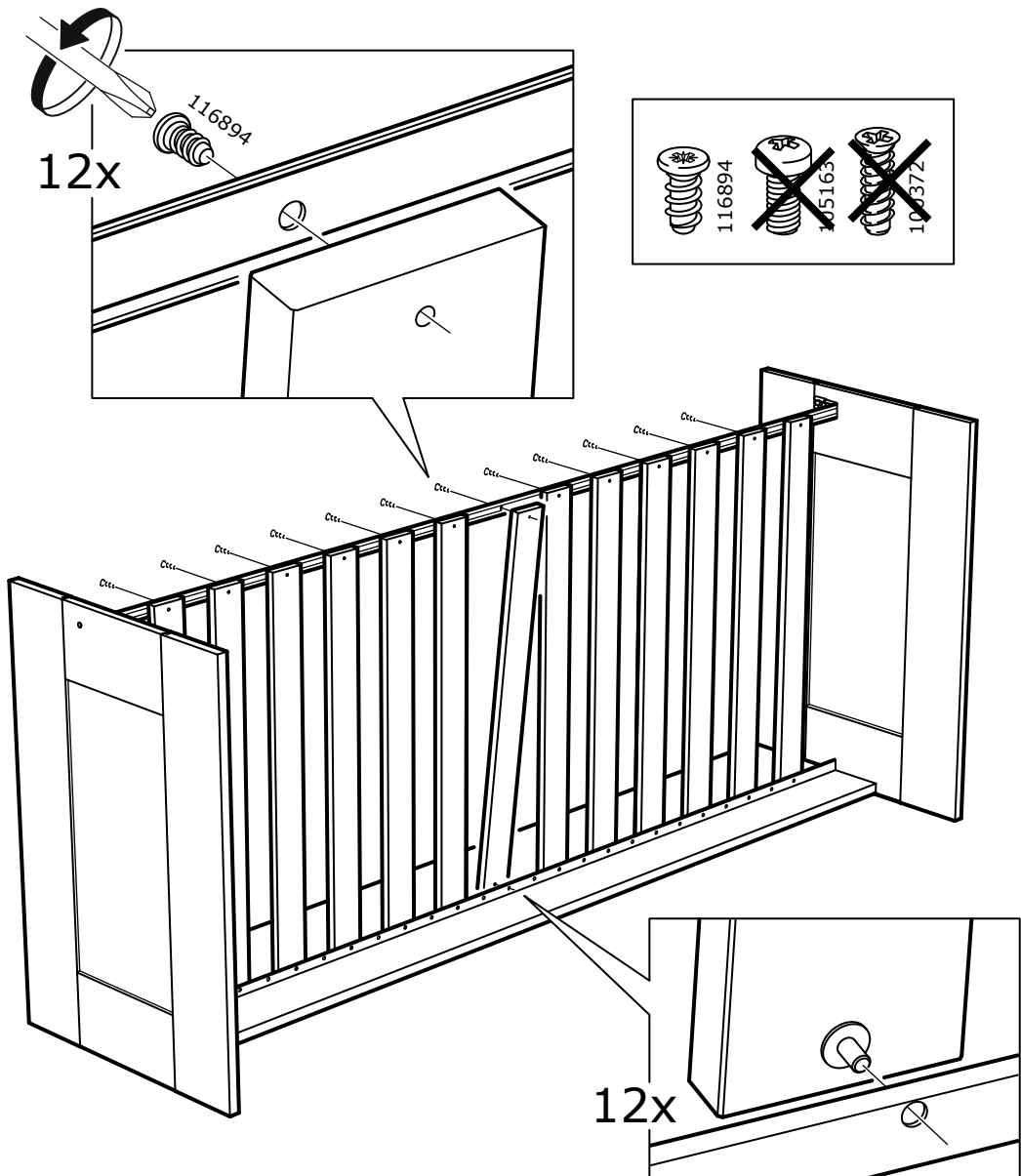
10



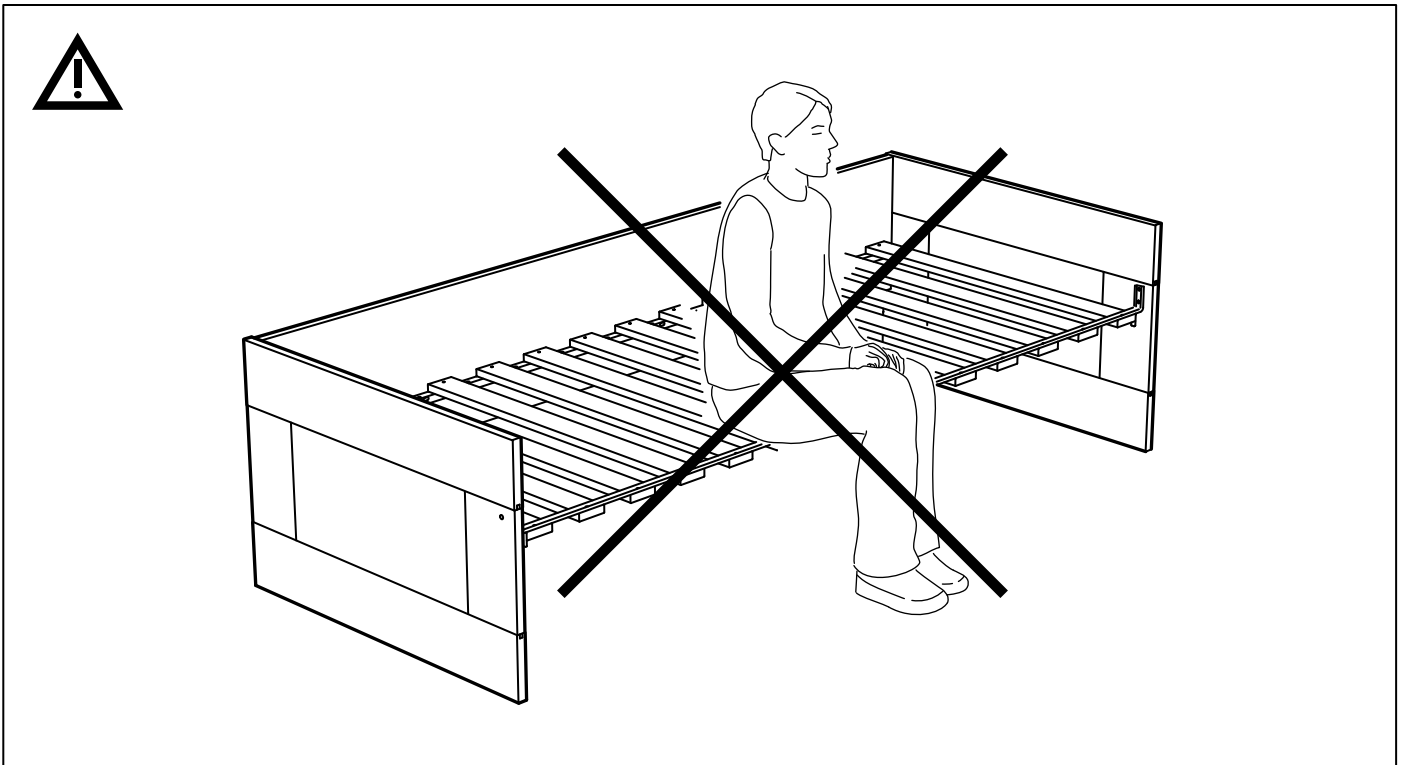
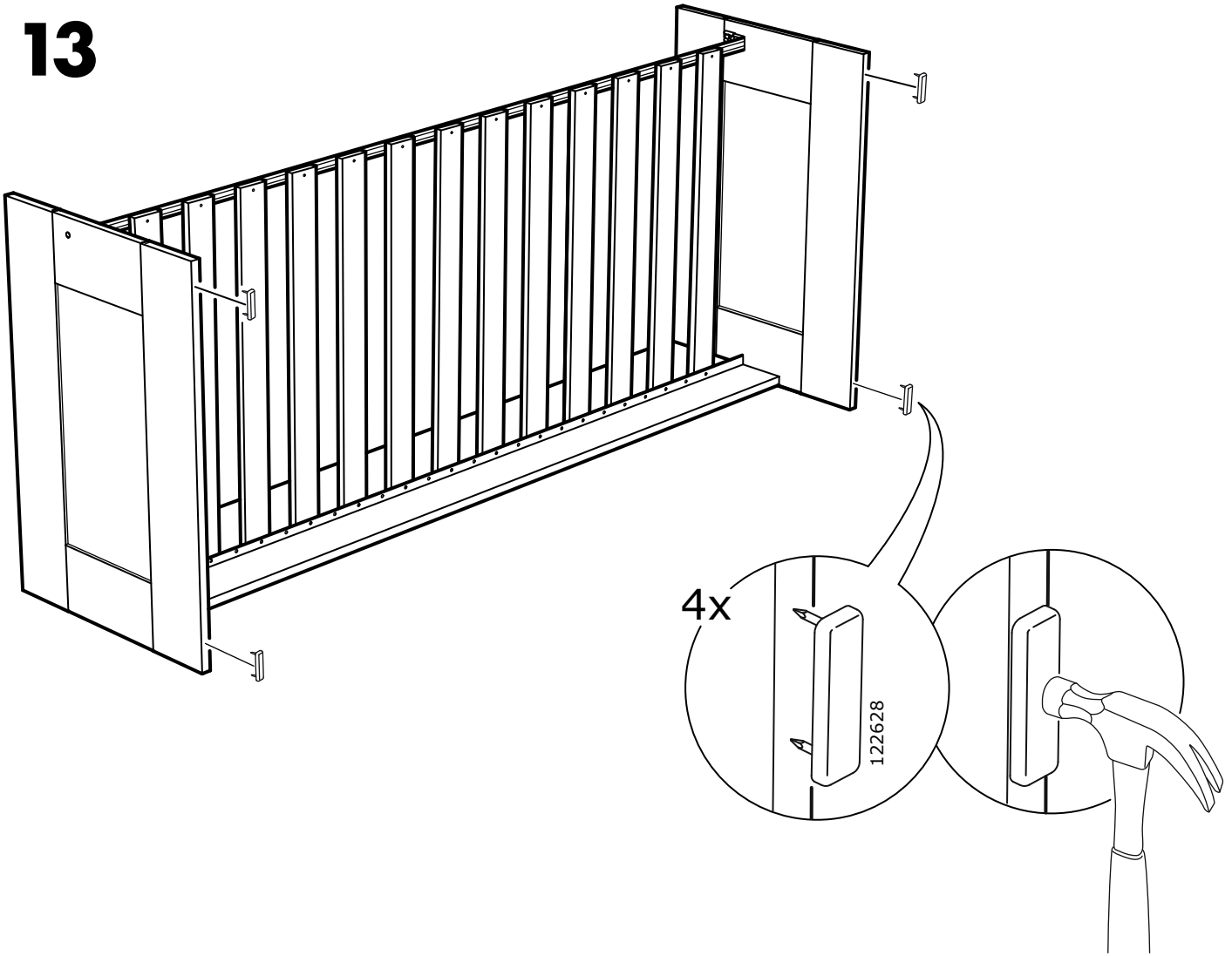
# 11

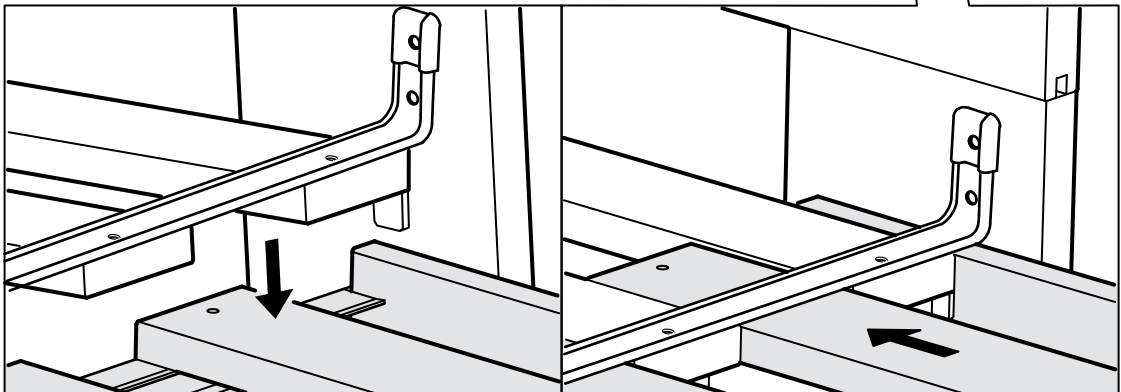
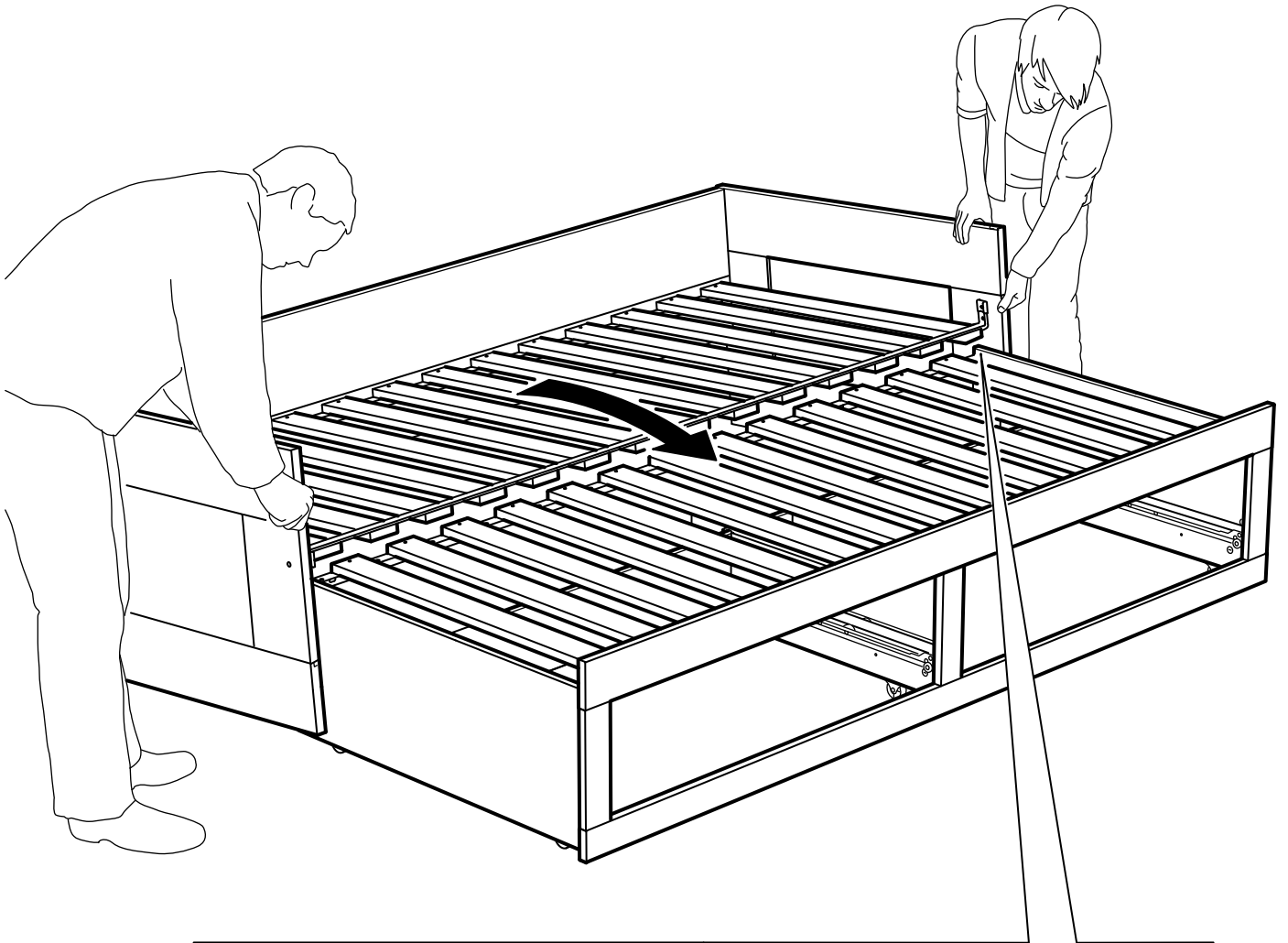
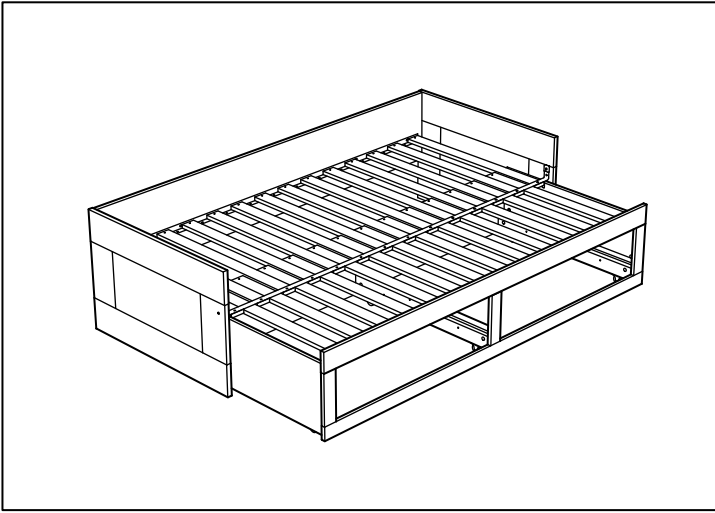


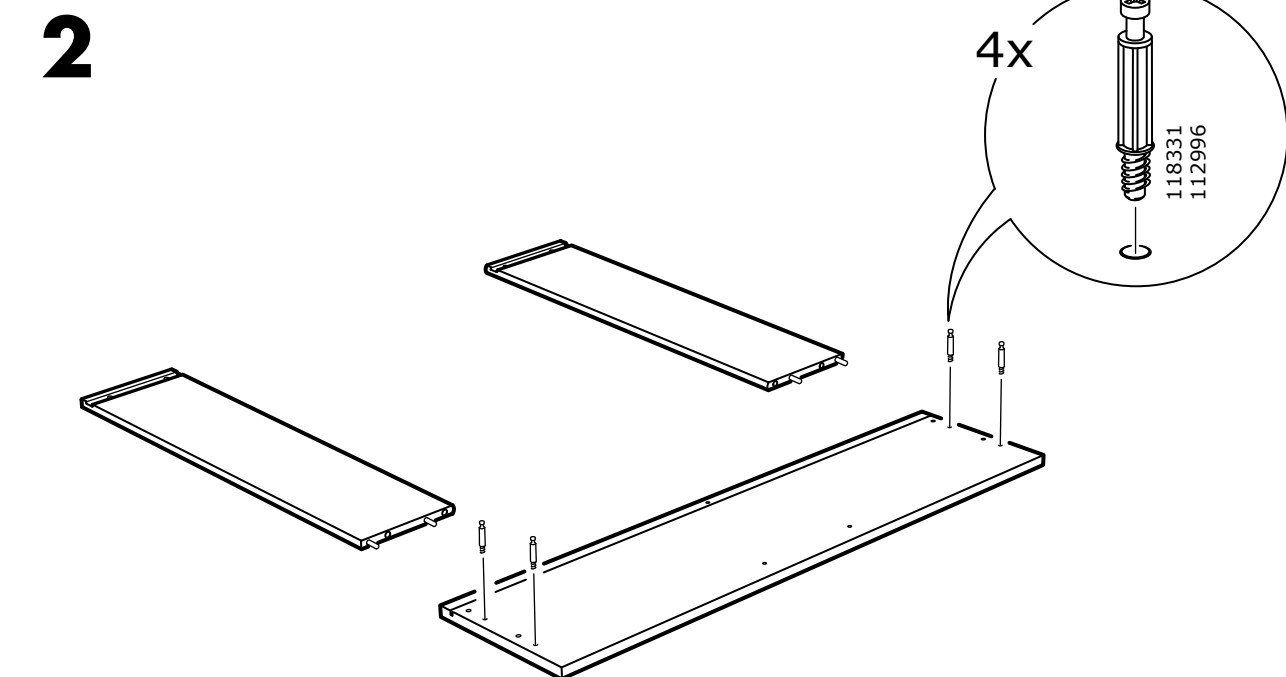
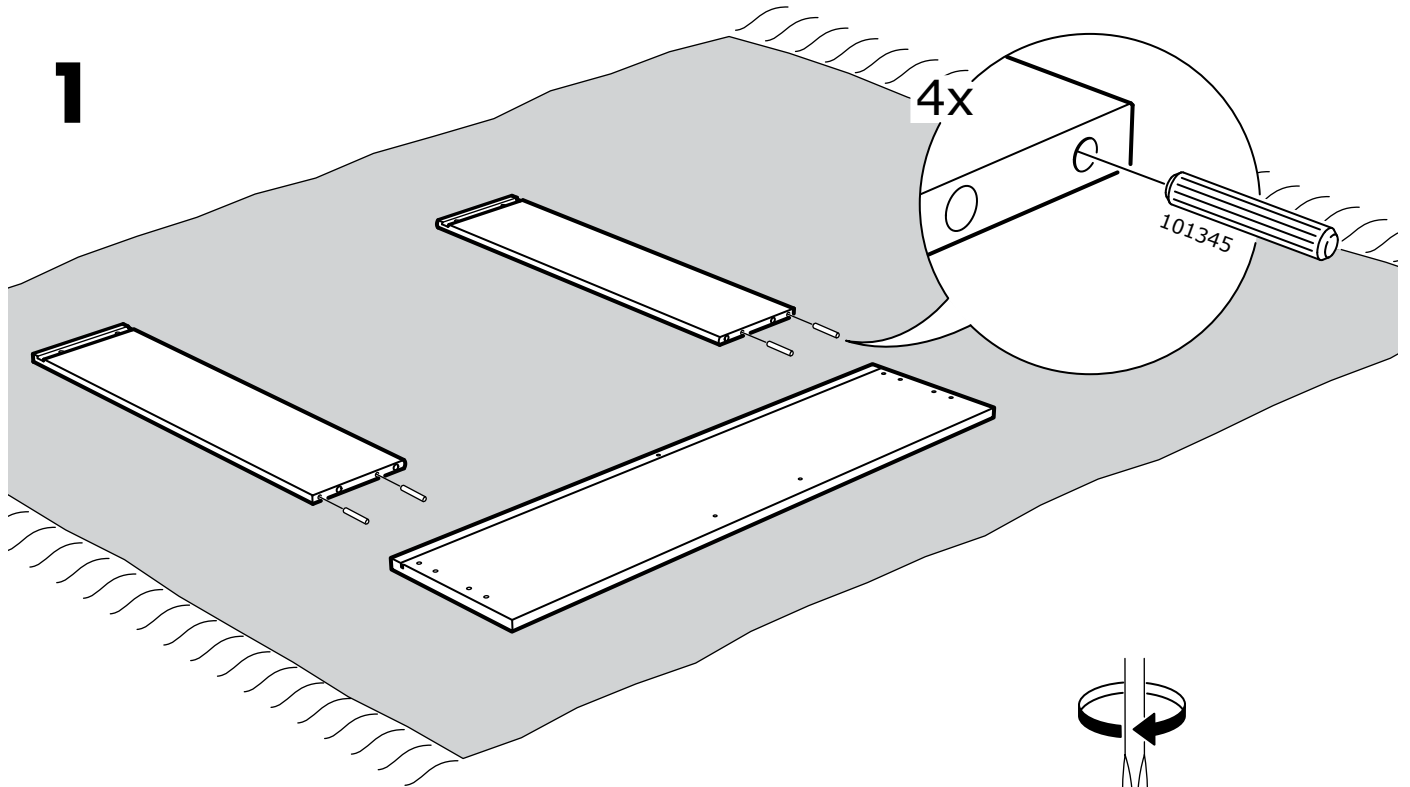
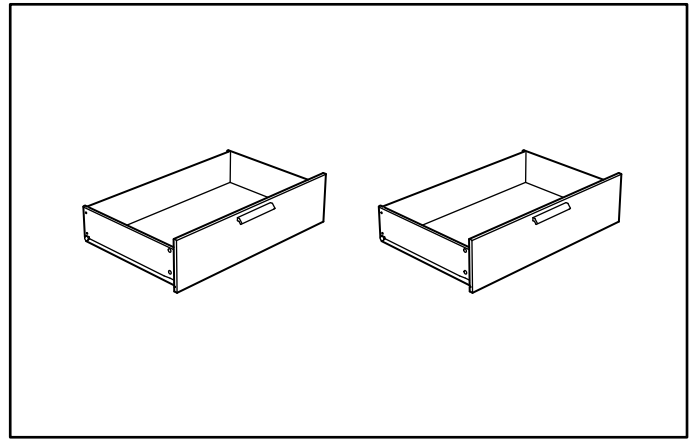
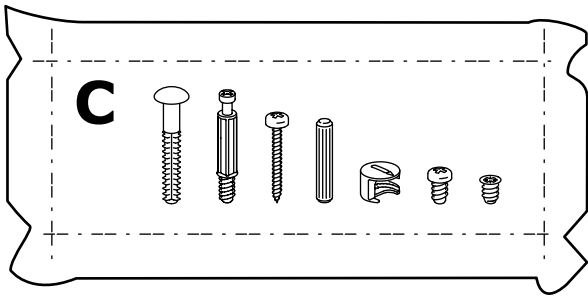
# 12



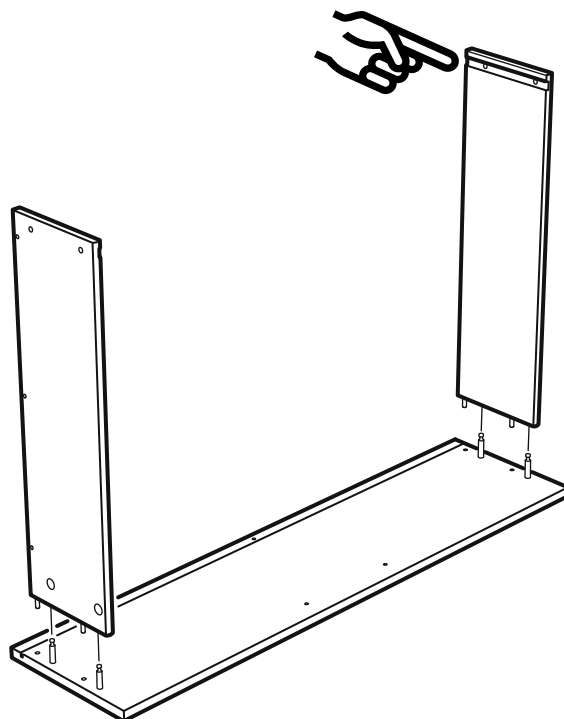
13



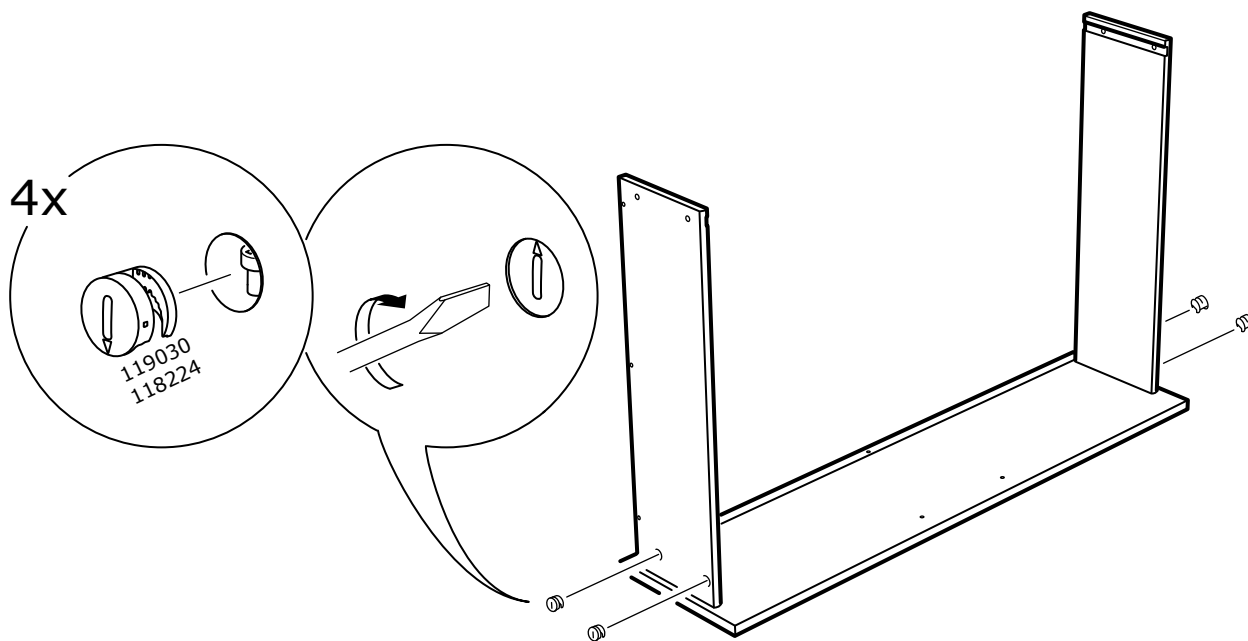




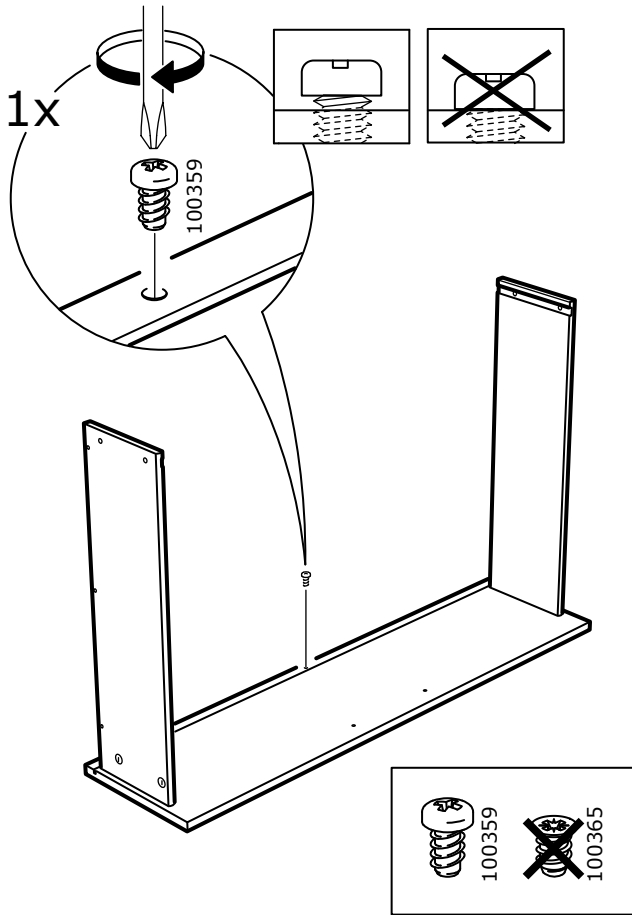
**3**



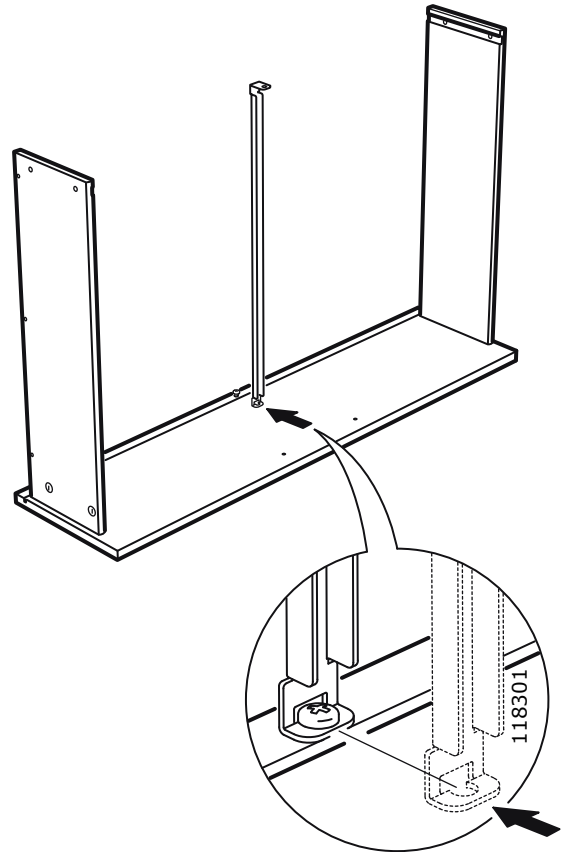
**4**



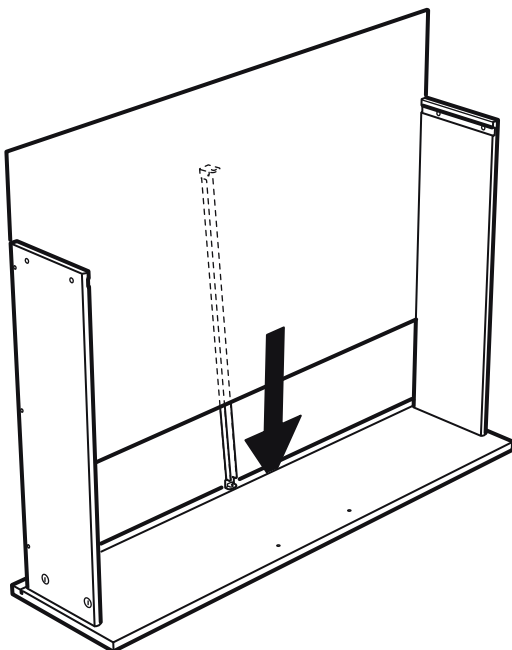
5



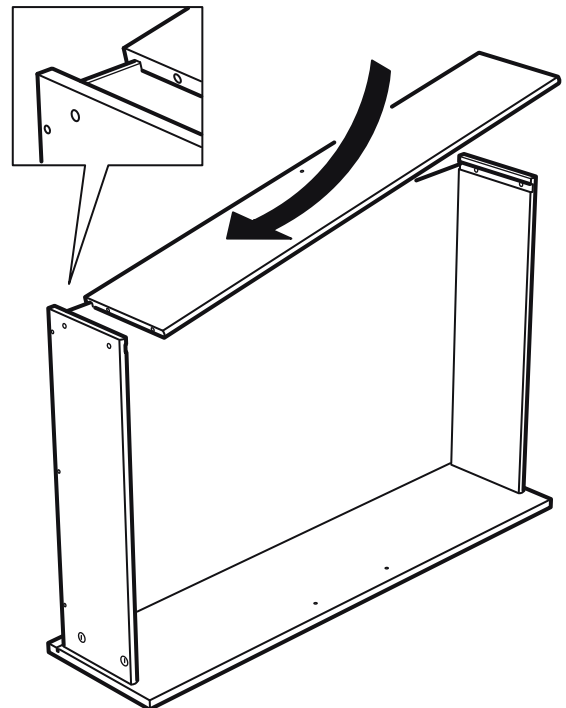
6



7

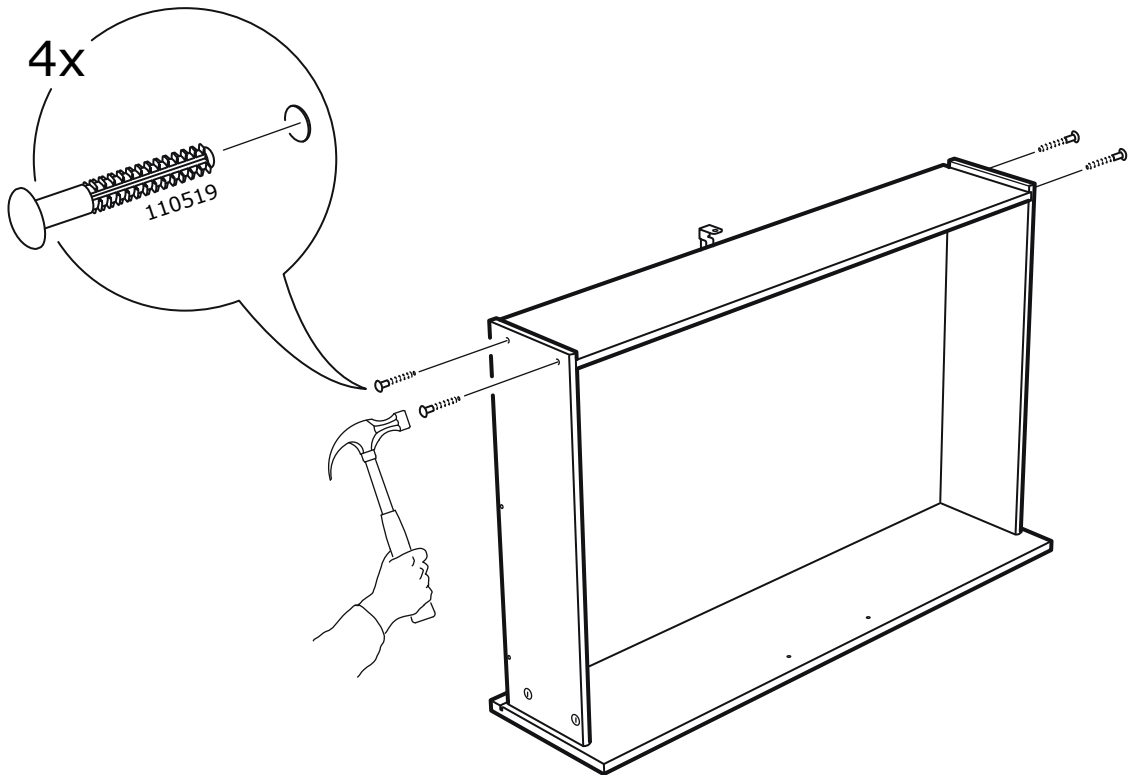


8

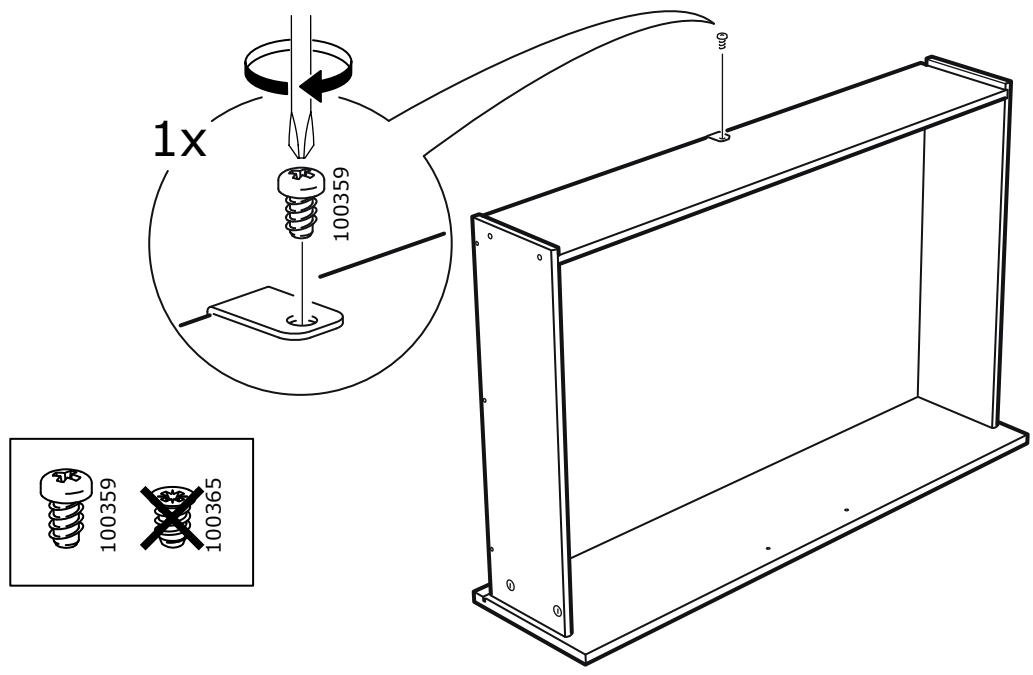




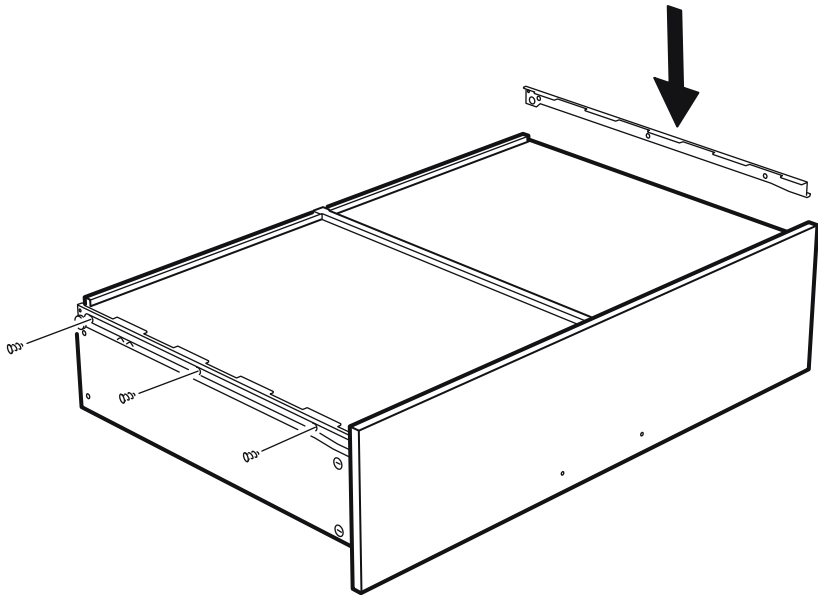
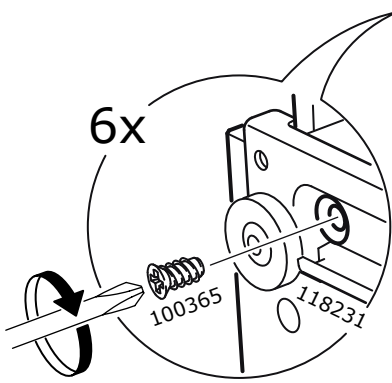
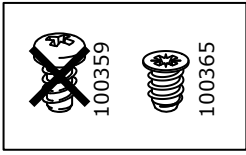
# 9



# 10



# 11



# 12

