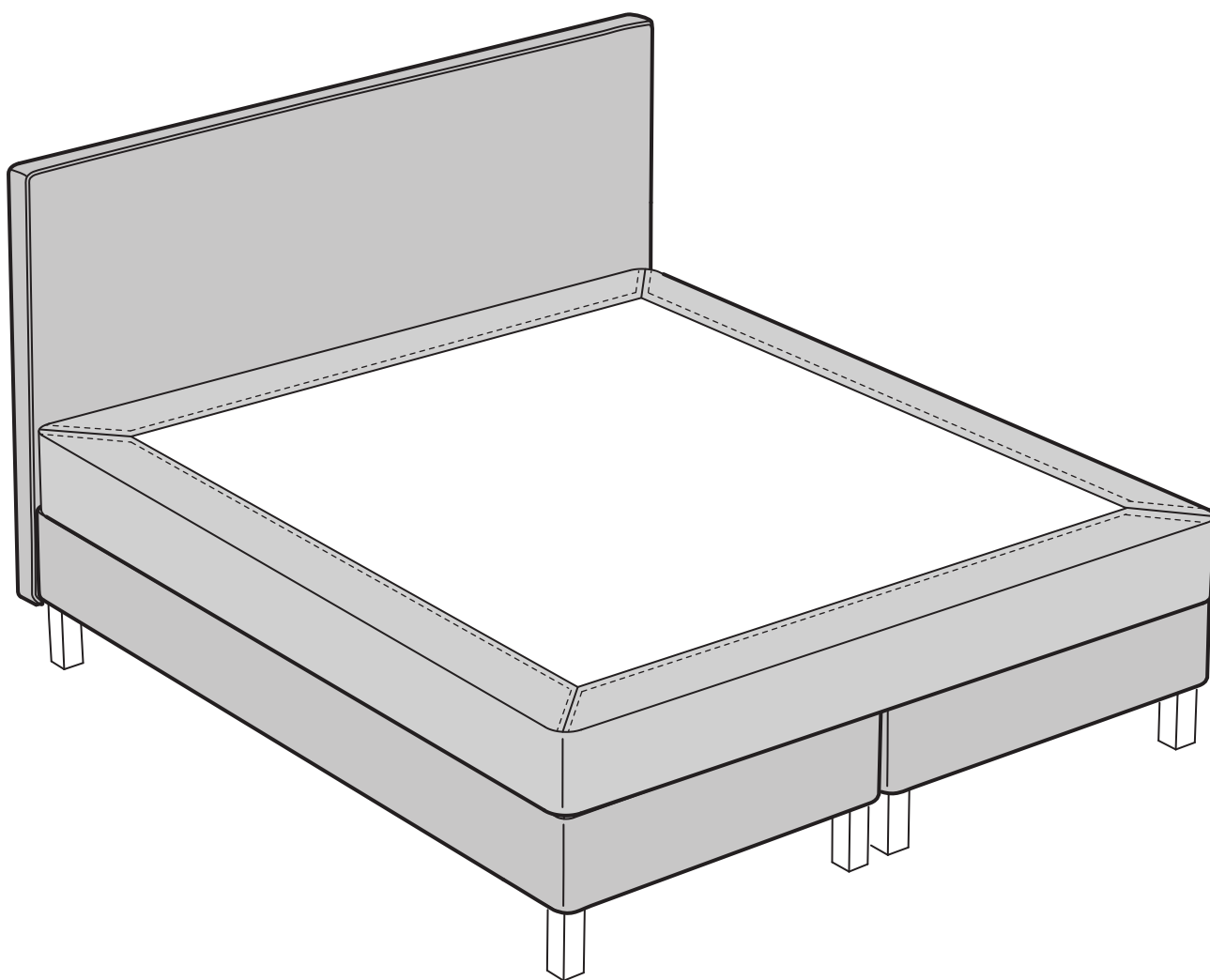
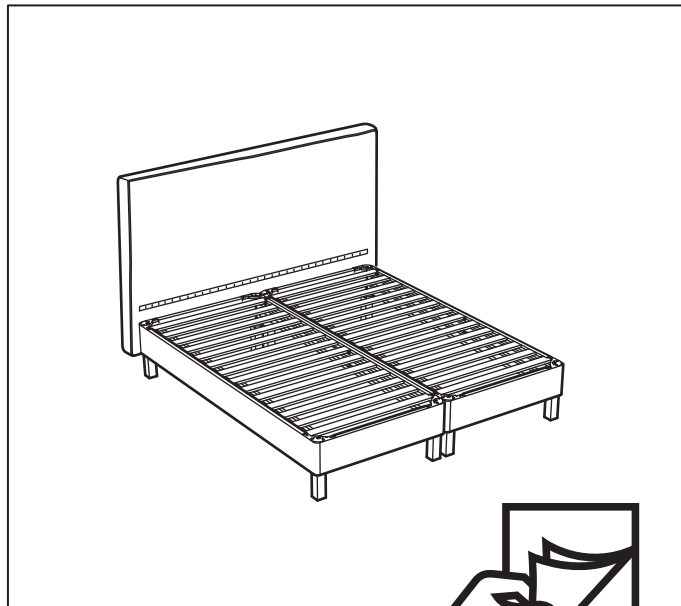
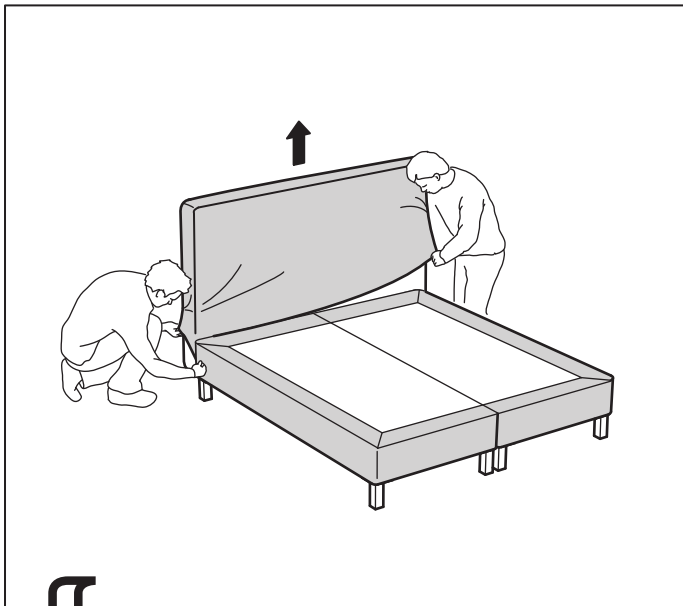


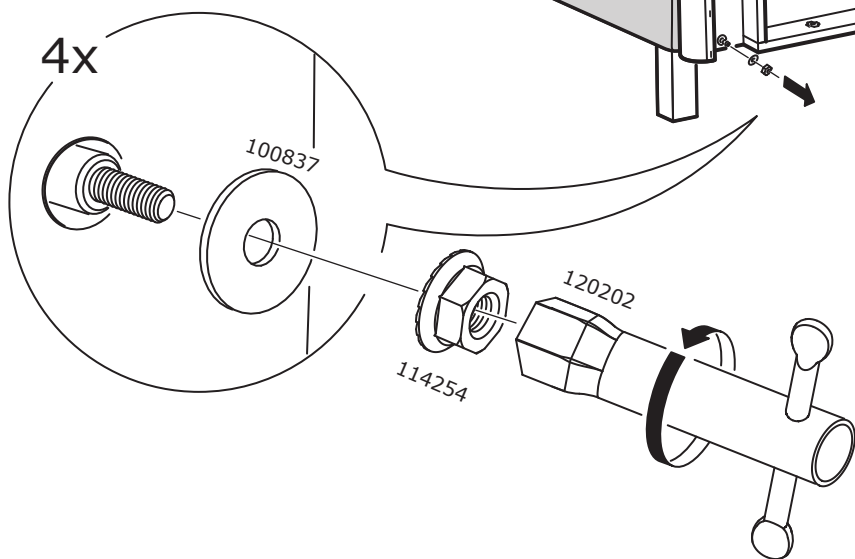
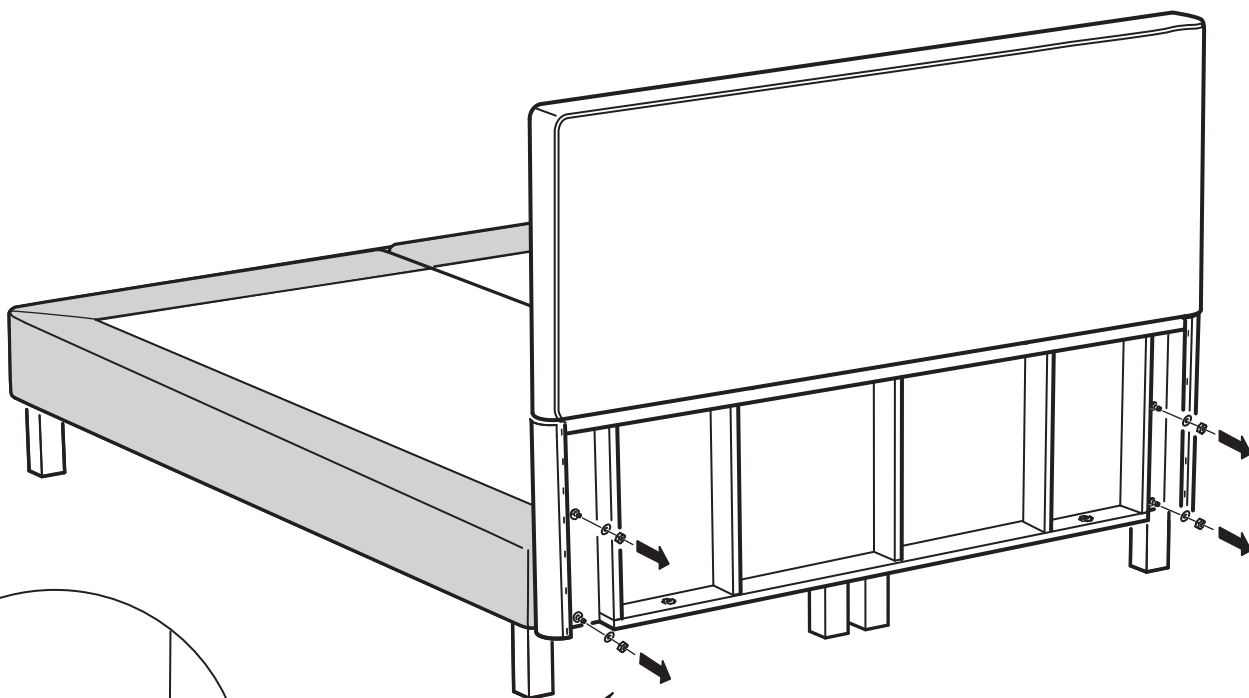
DUNVIK



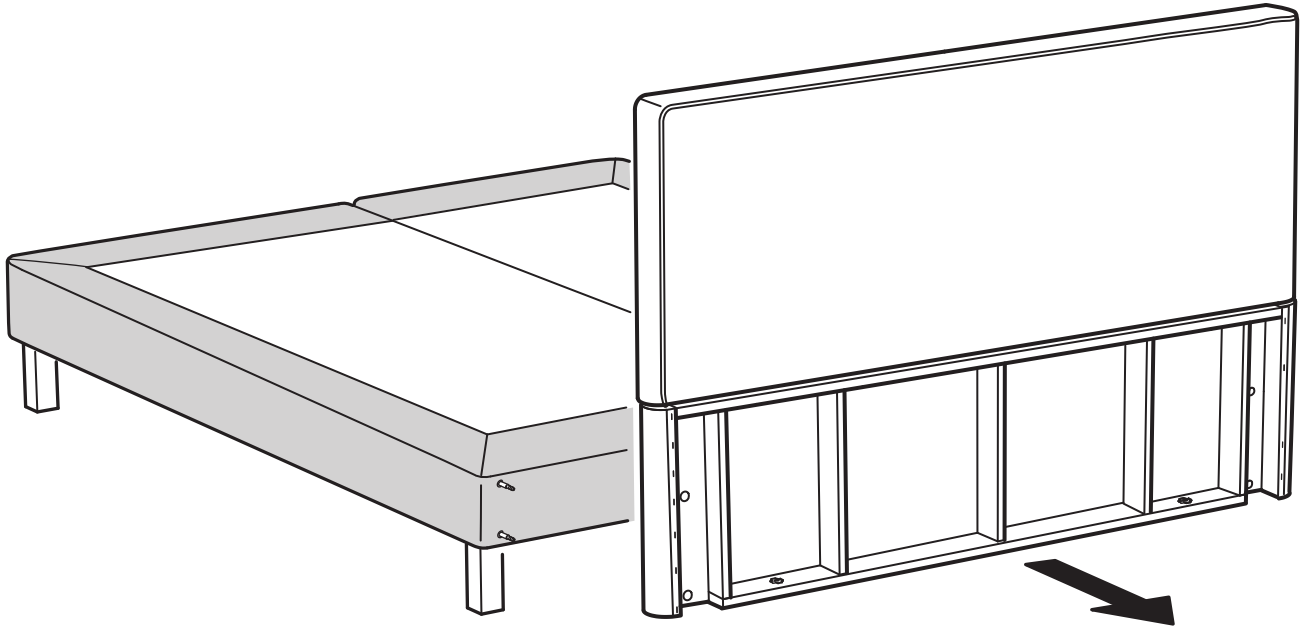
Design and Quality
IKEA of Sweden



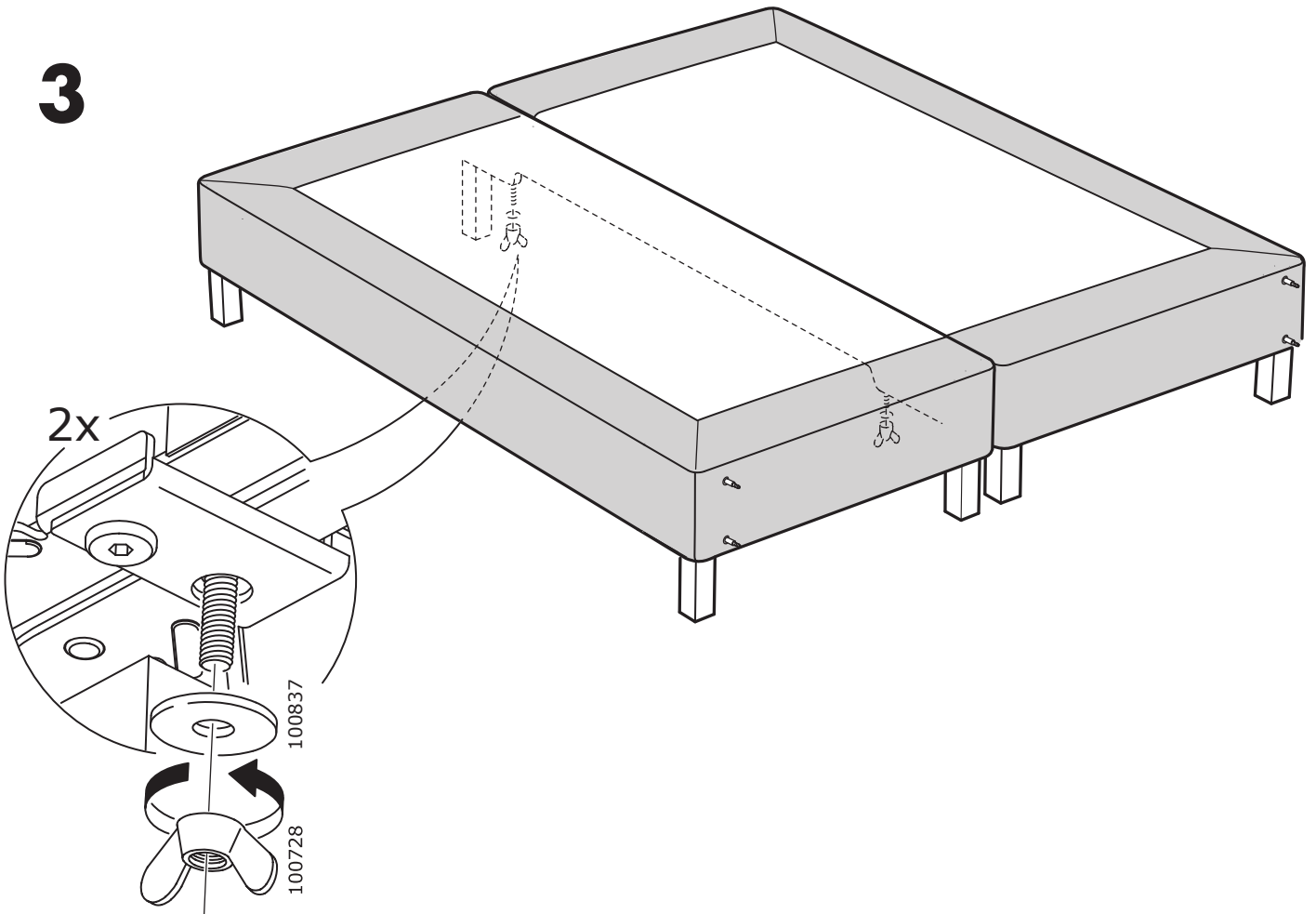
1



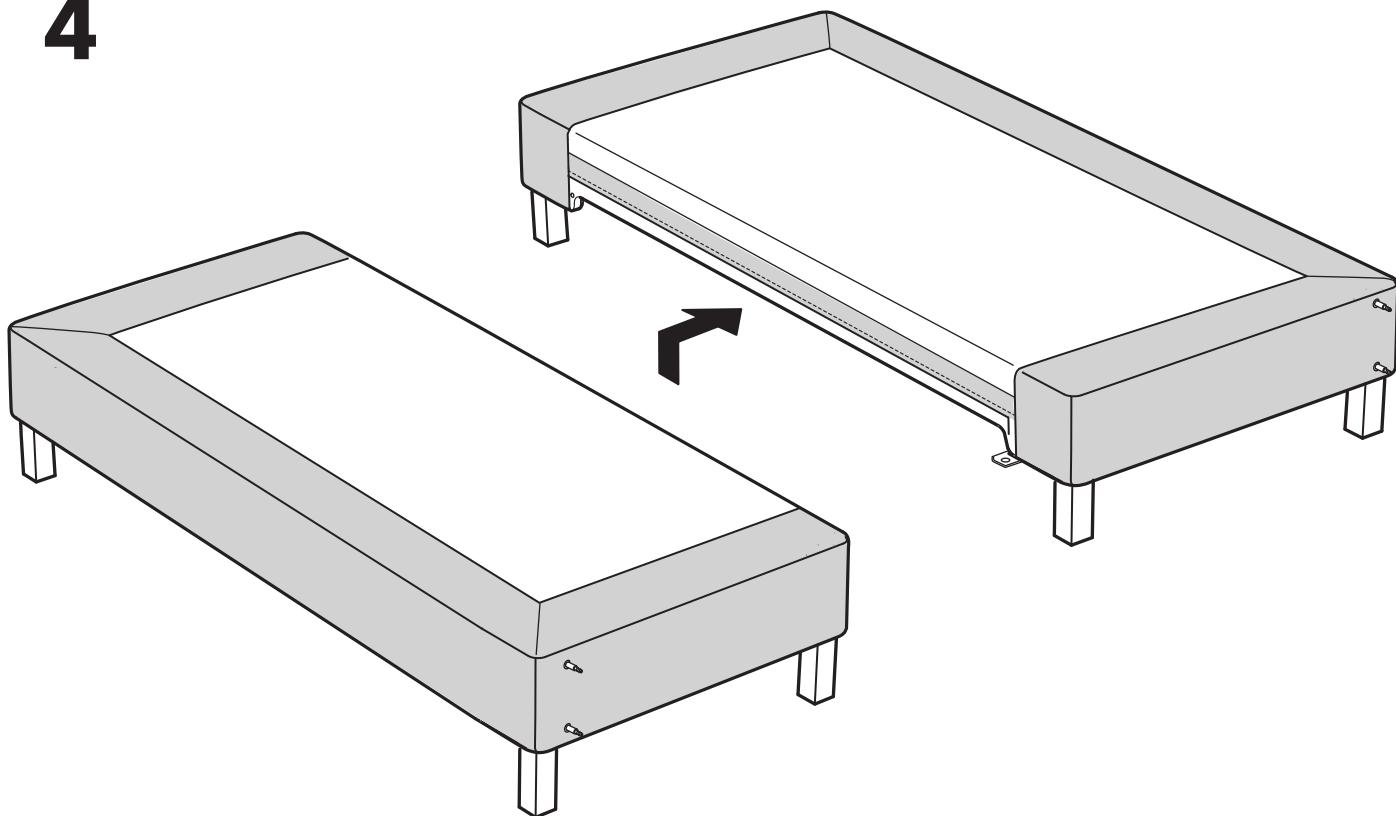
2



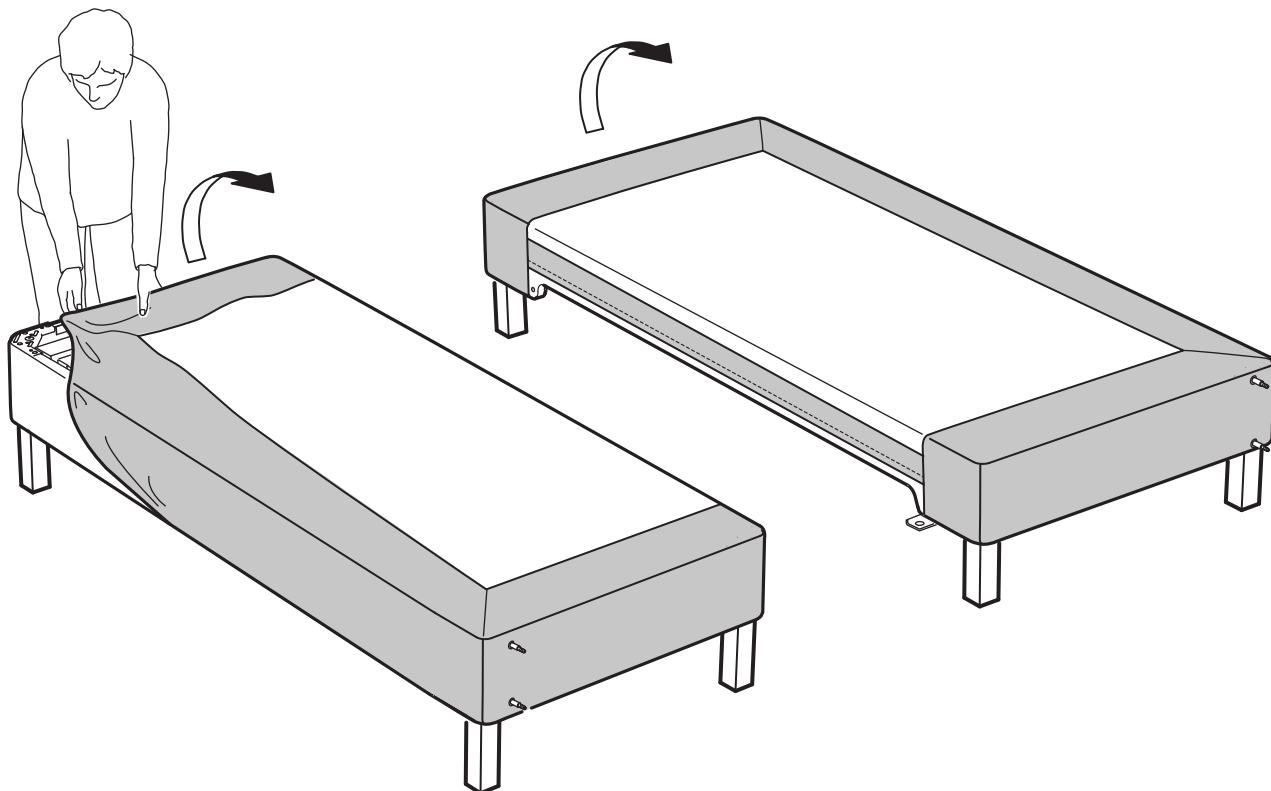
3

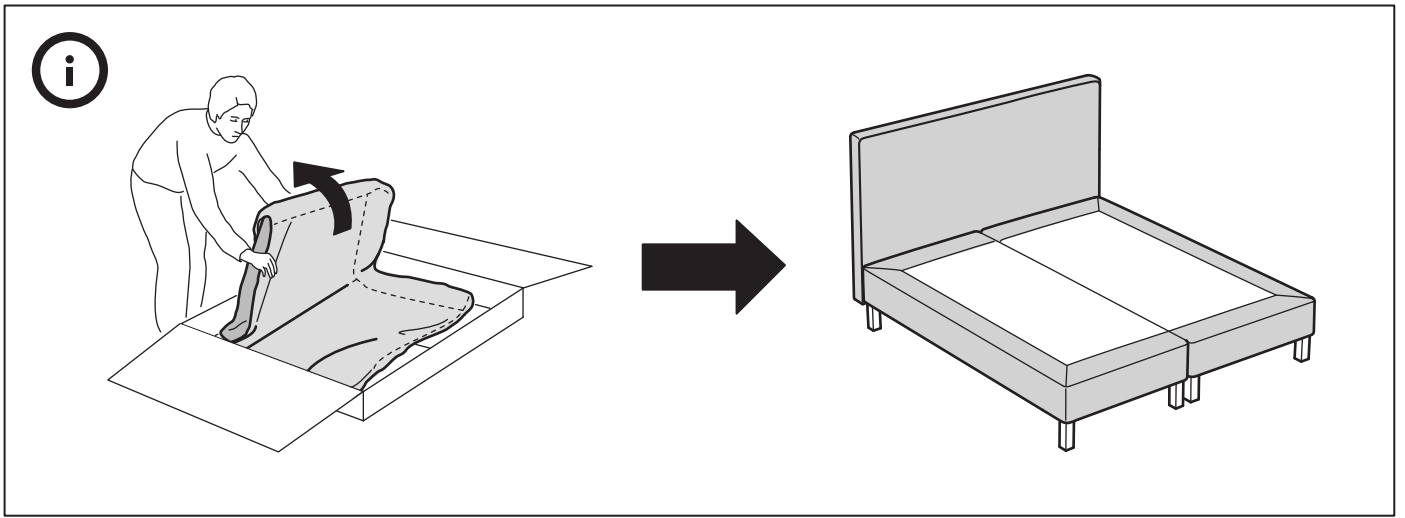


4

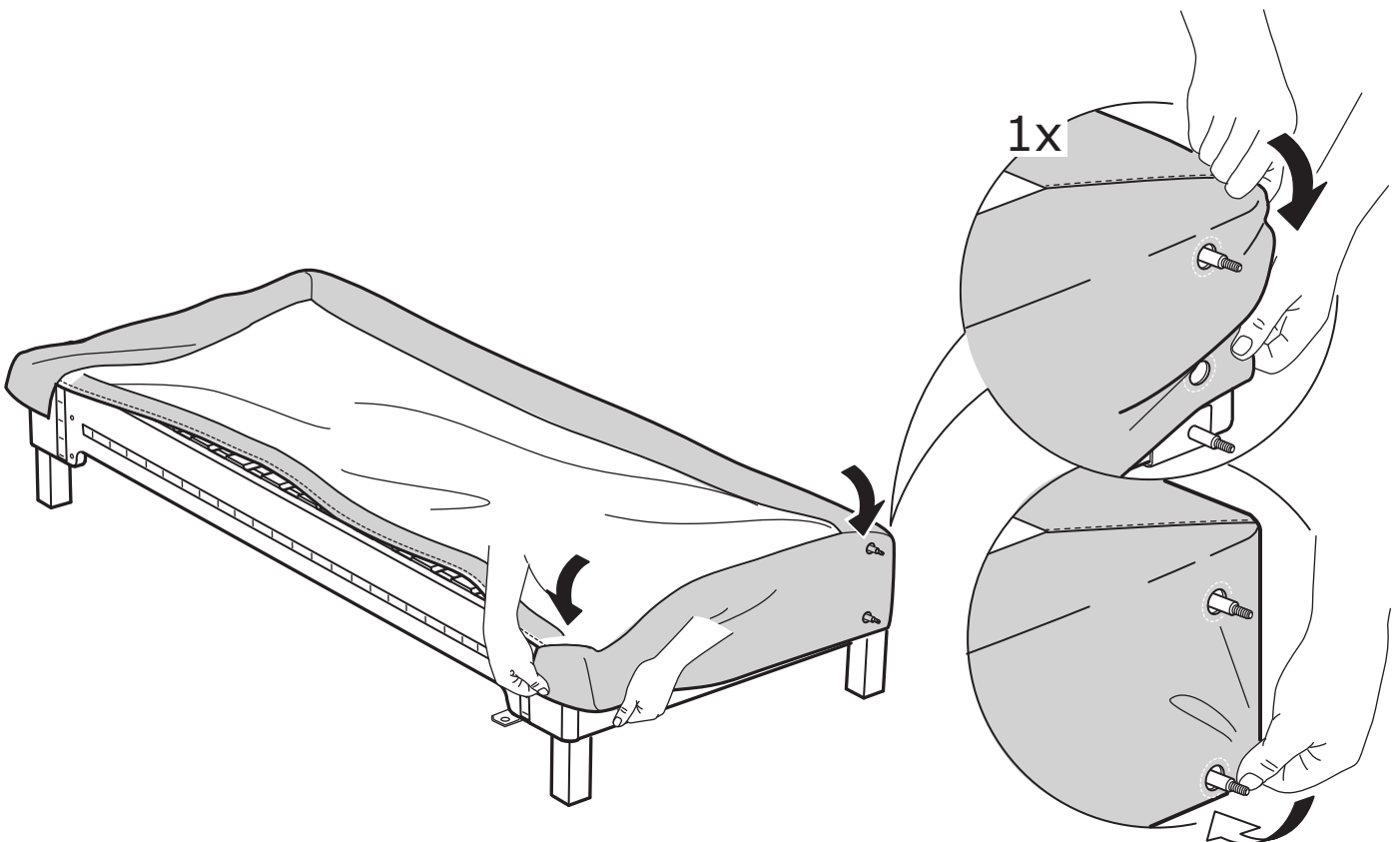
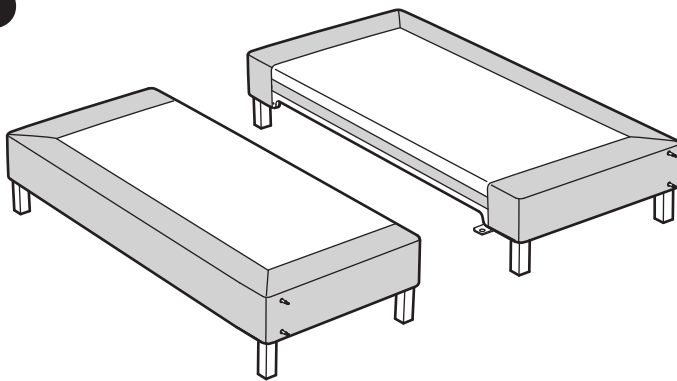


5

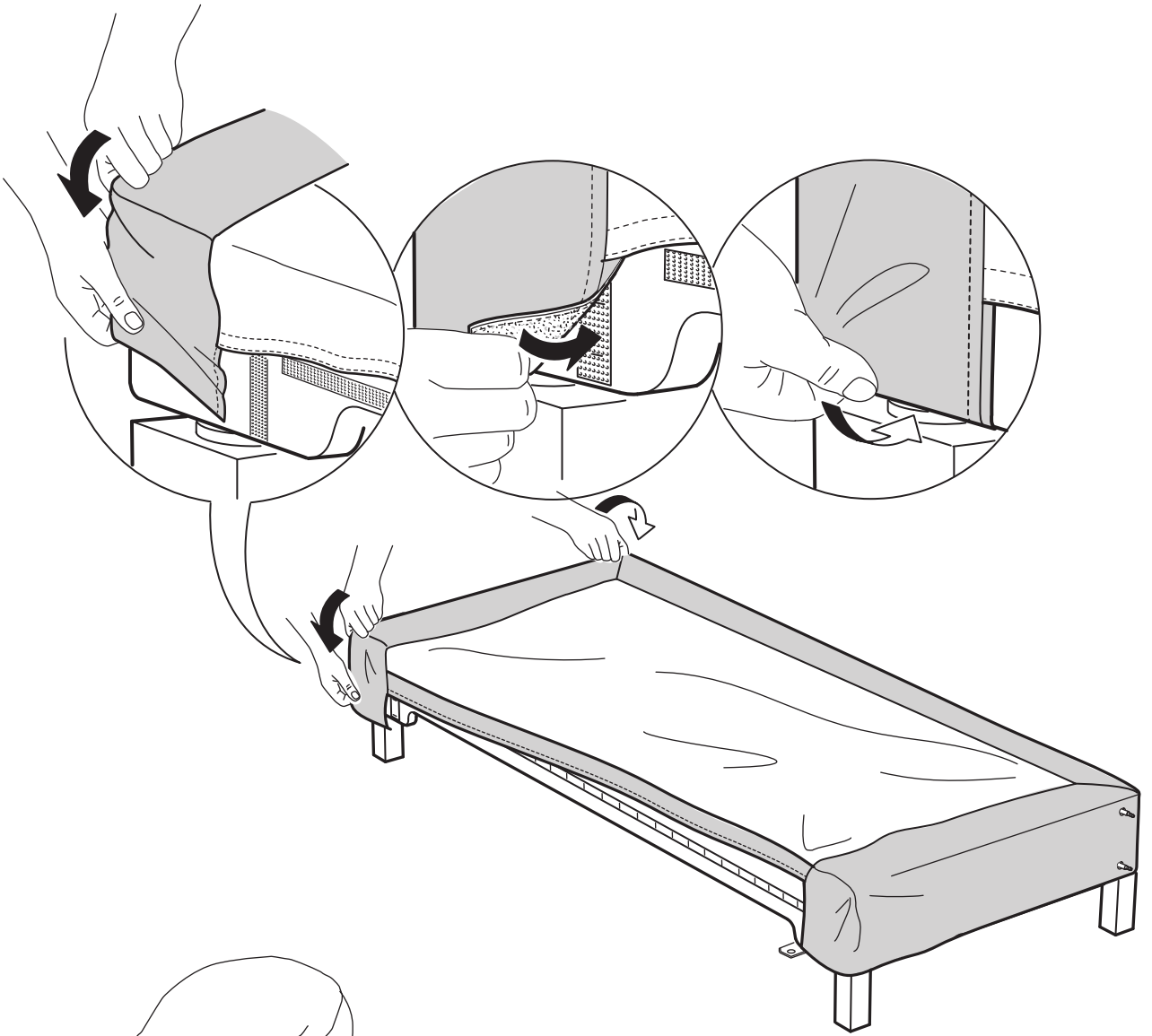




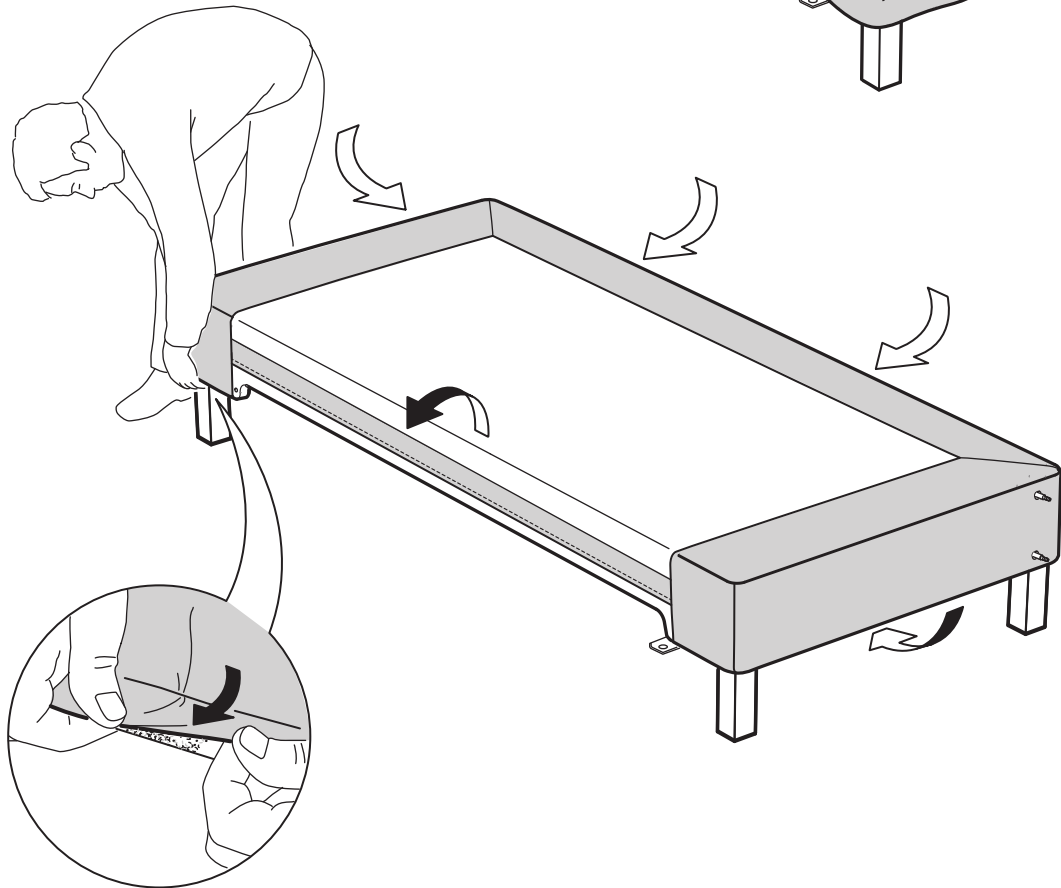
6



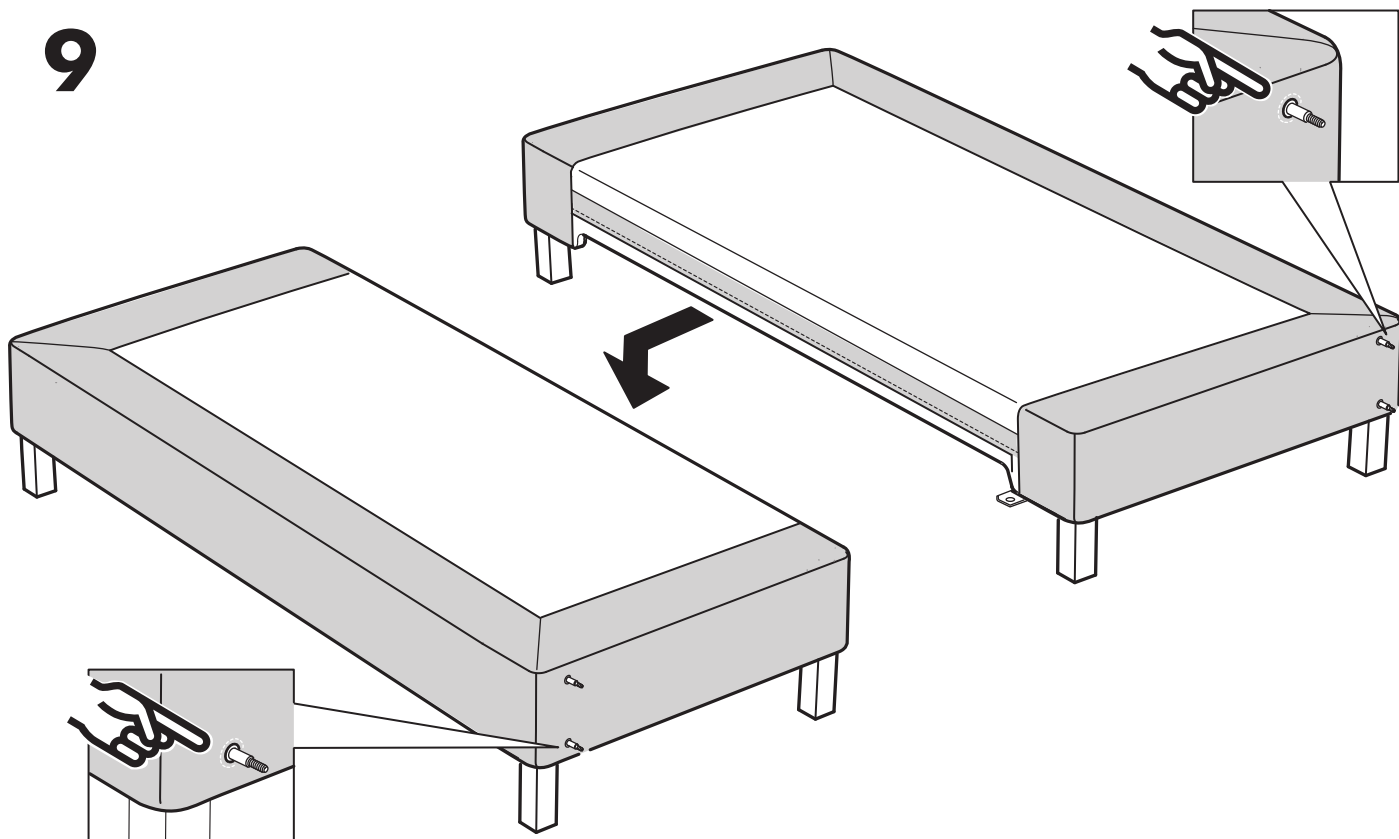
7



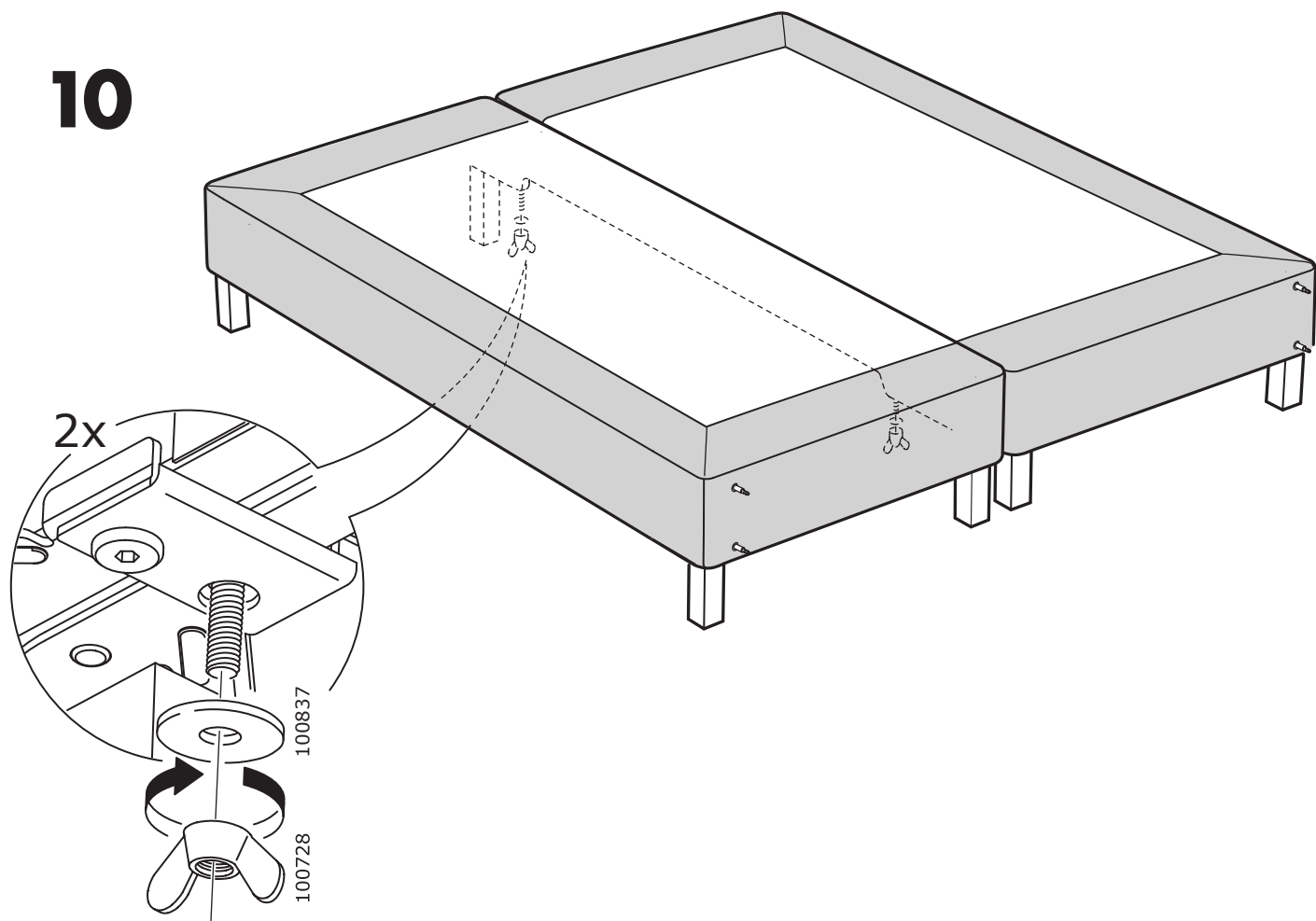
8



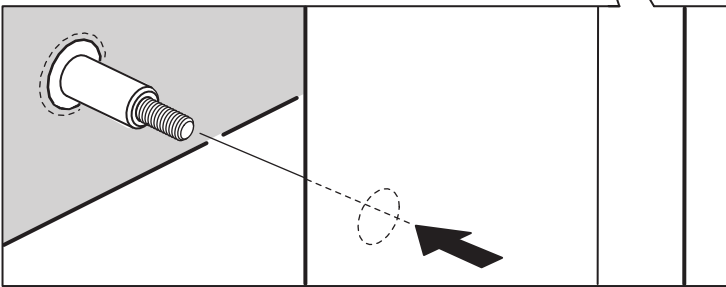
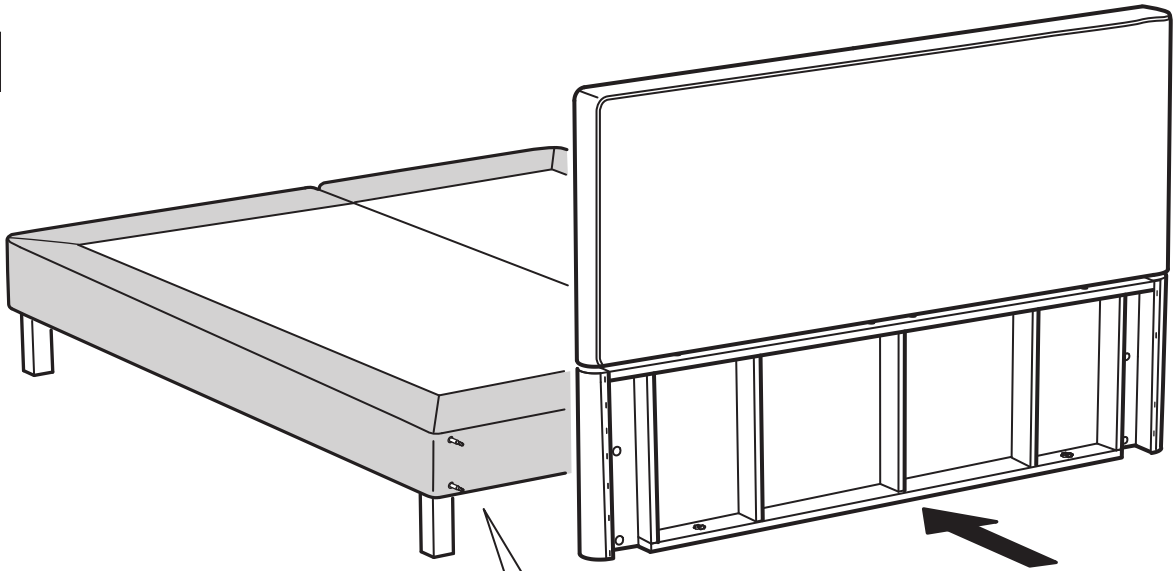
9



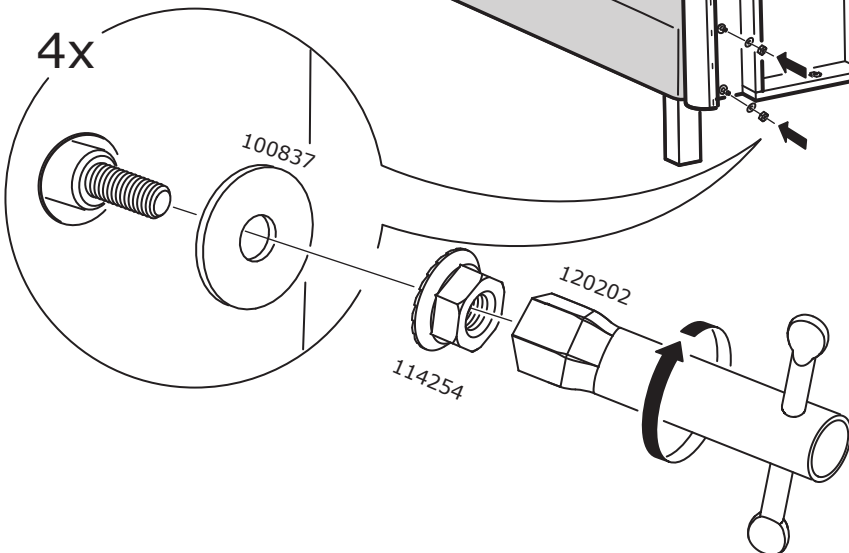
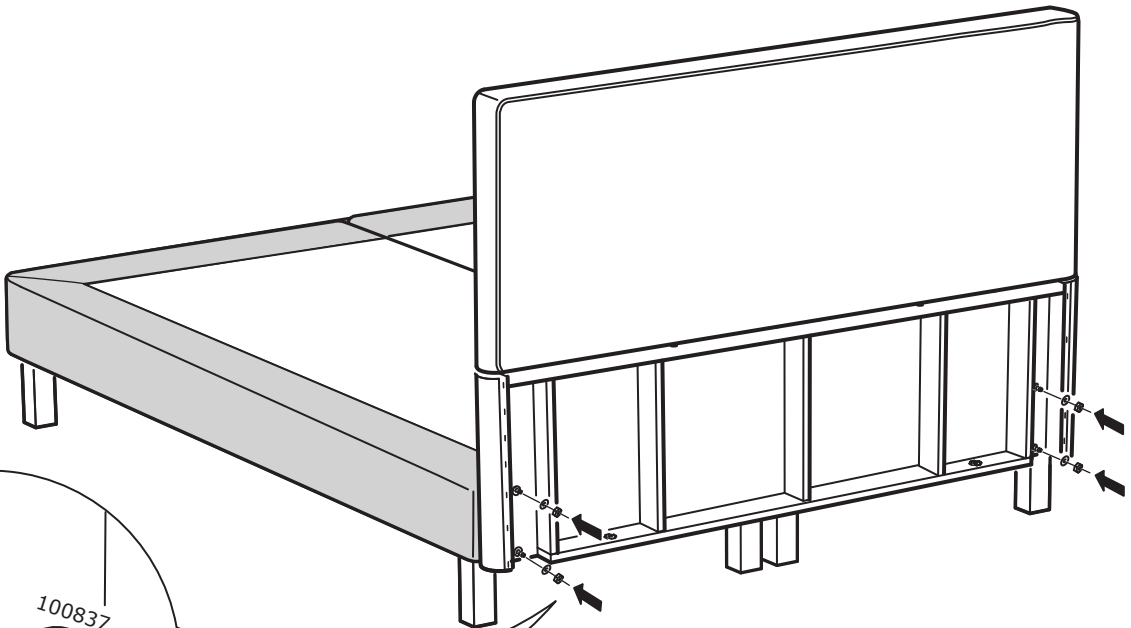
10



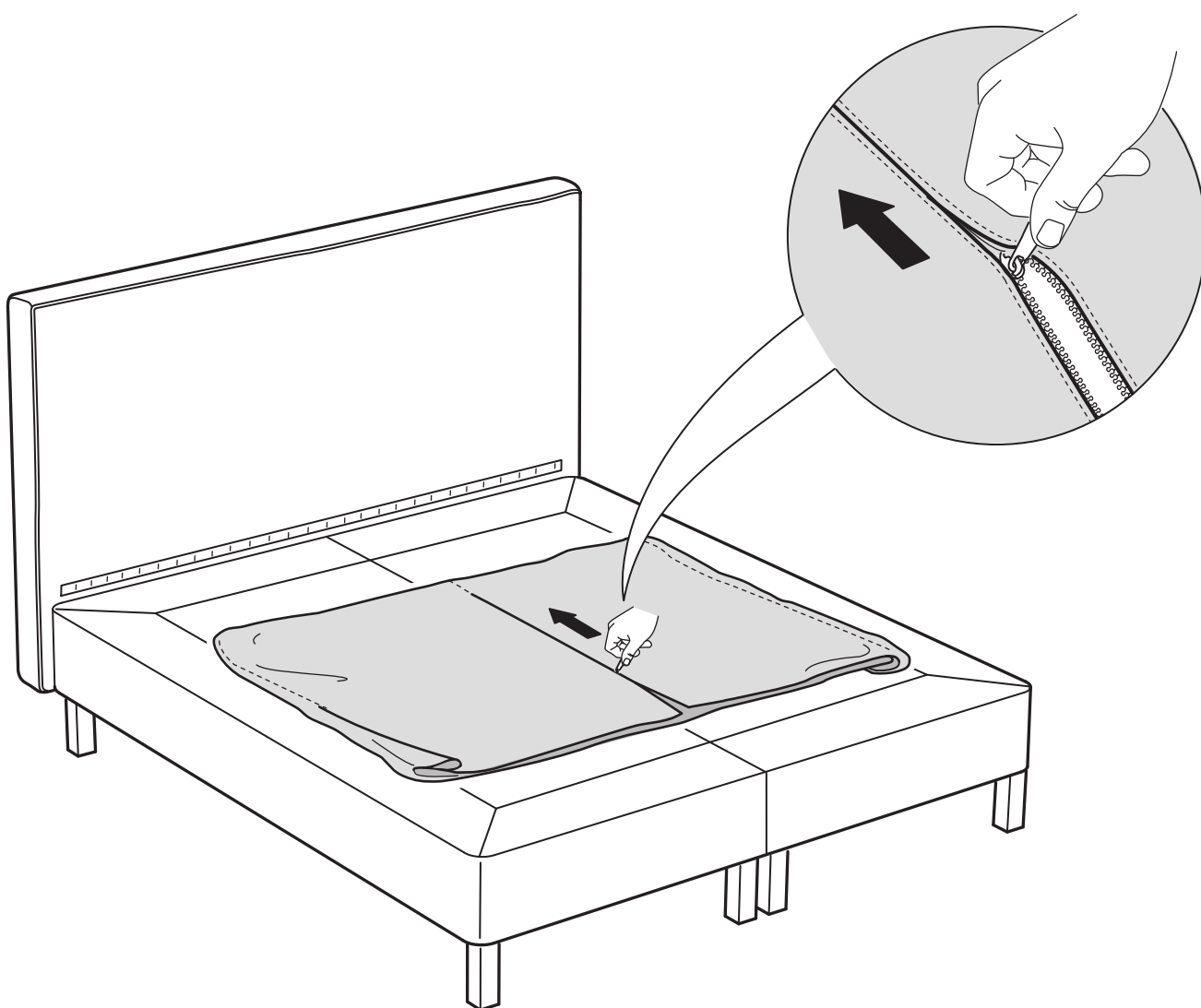
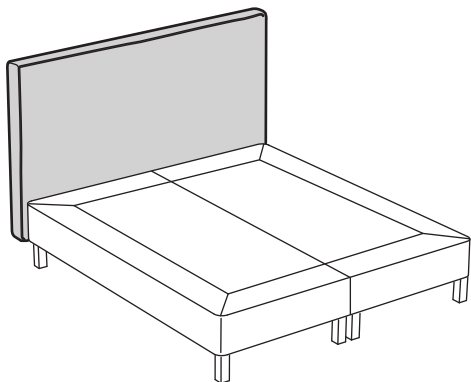
11



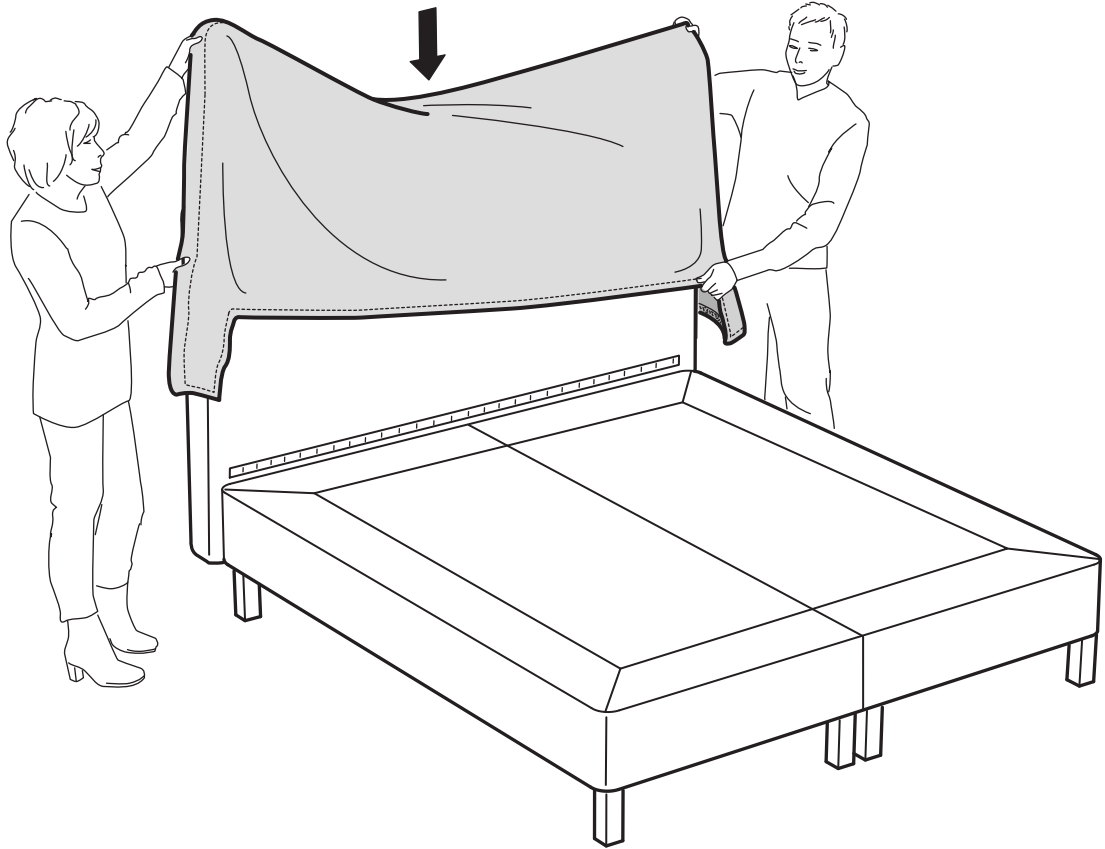
12



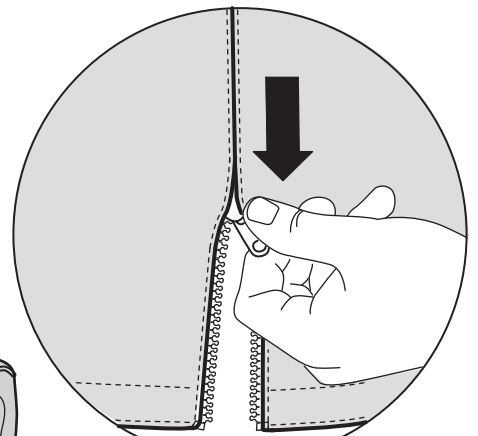
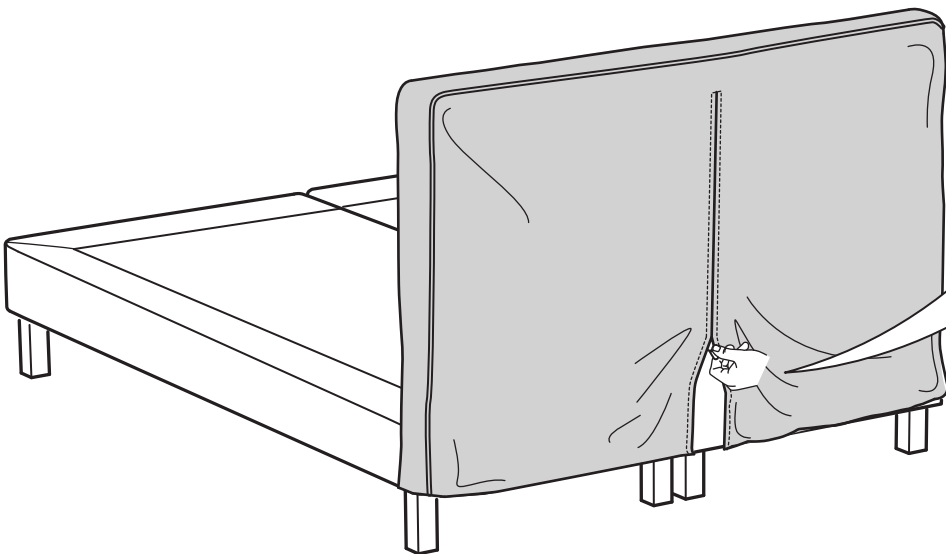
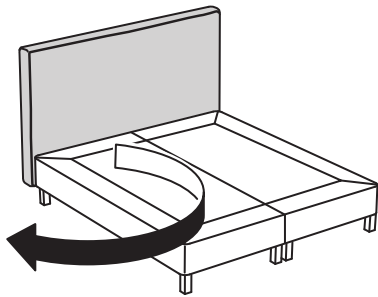
13



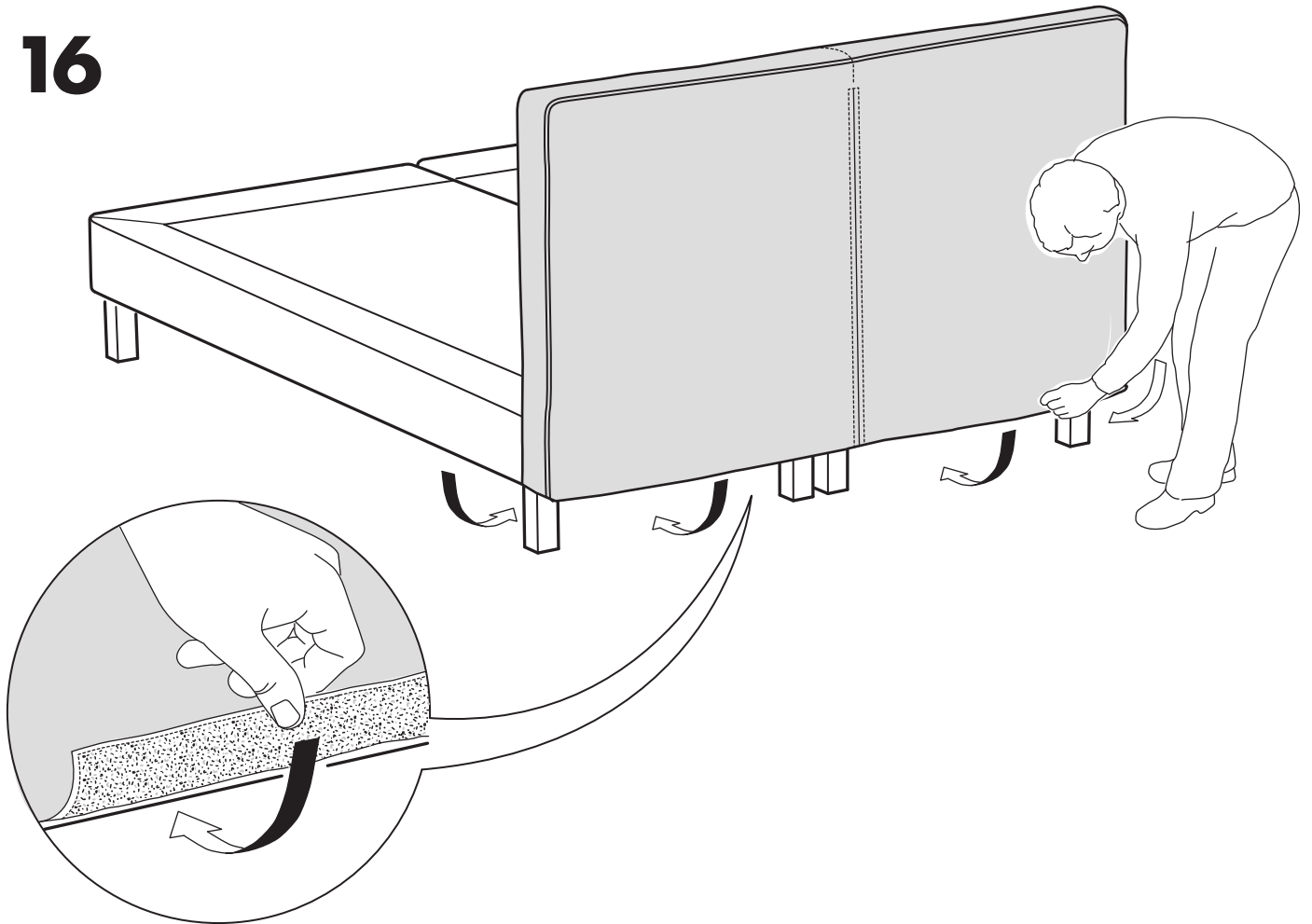
14



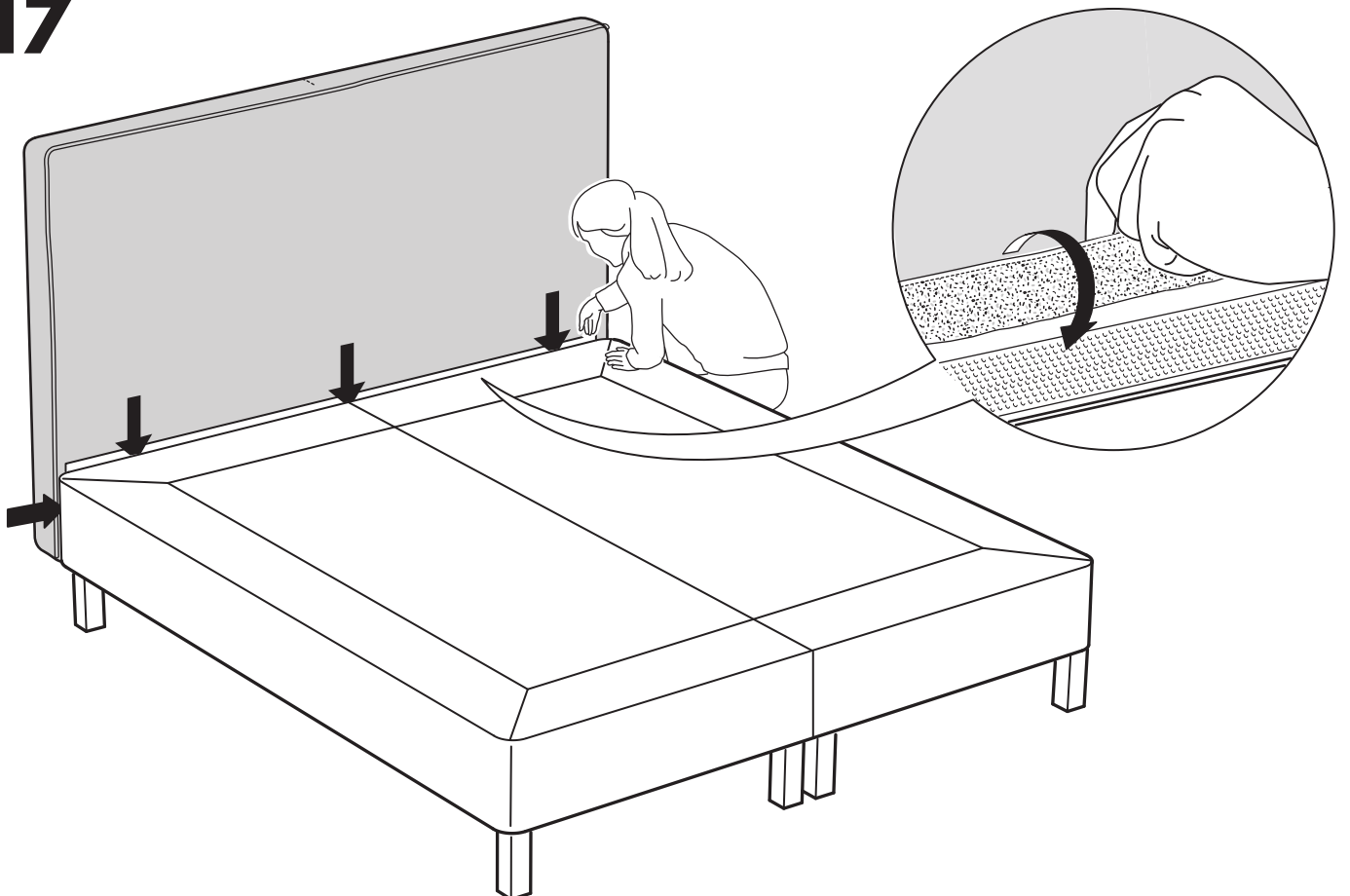
15



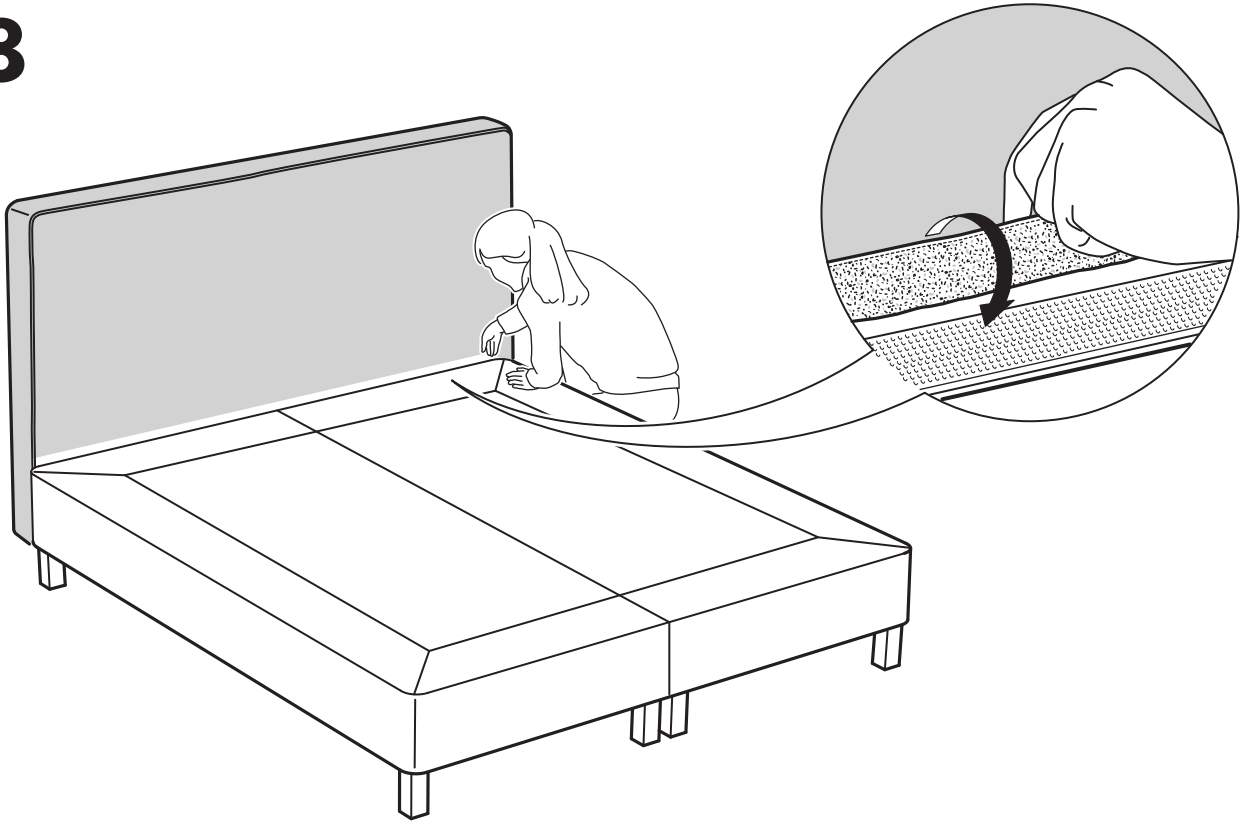
16



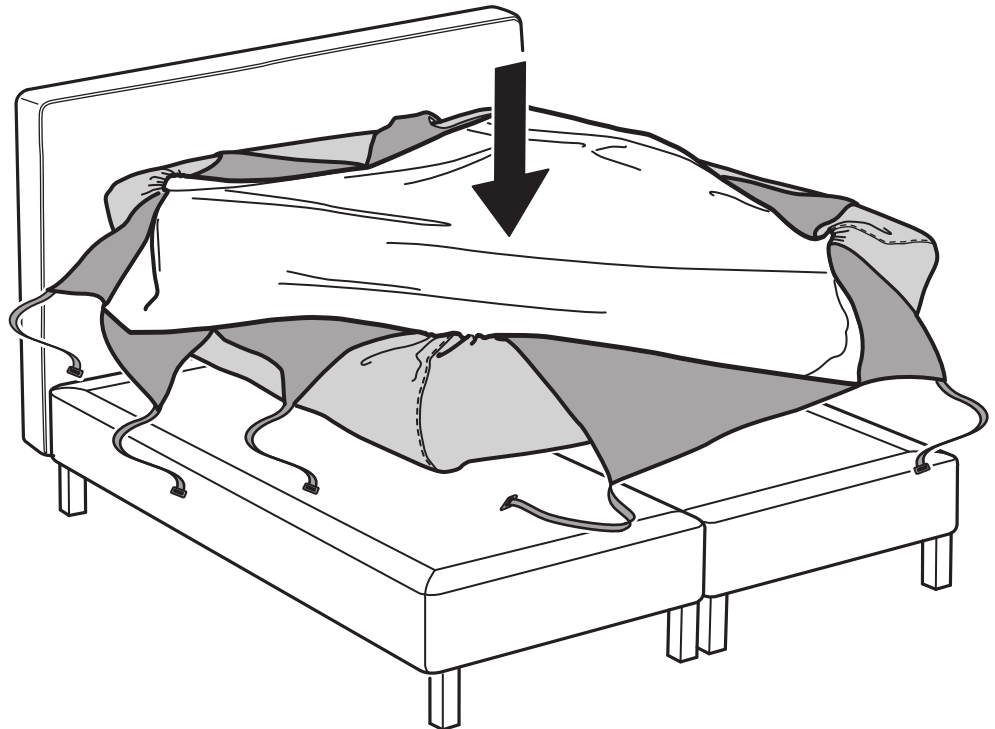
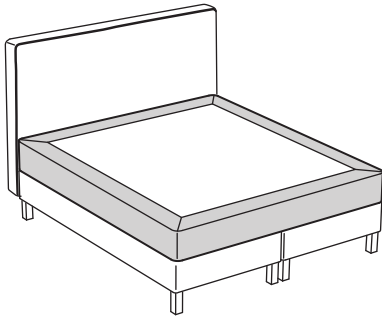
17



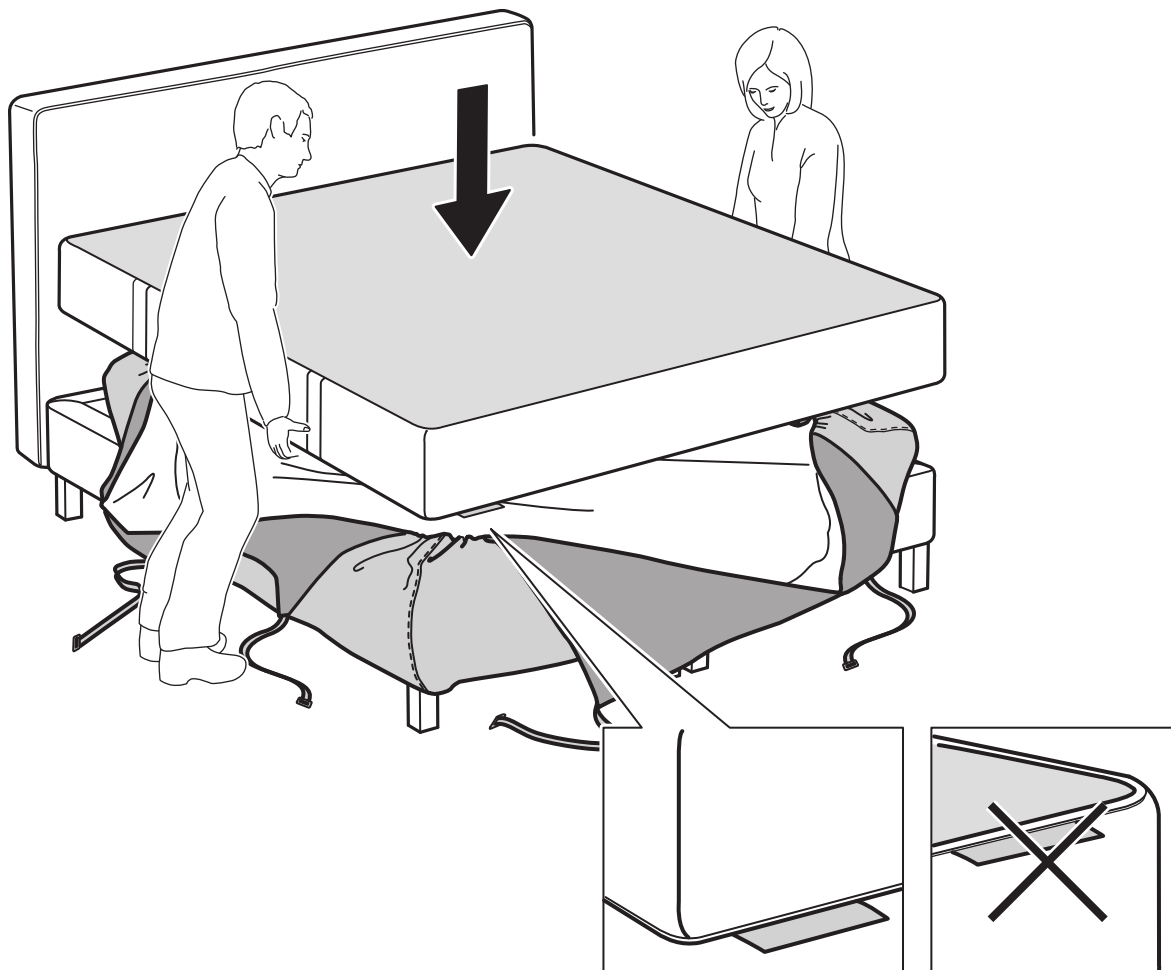
18



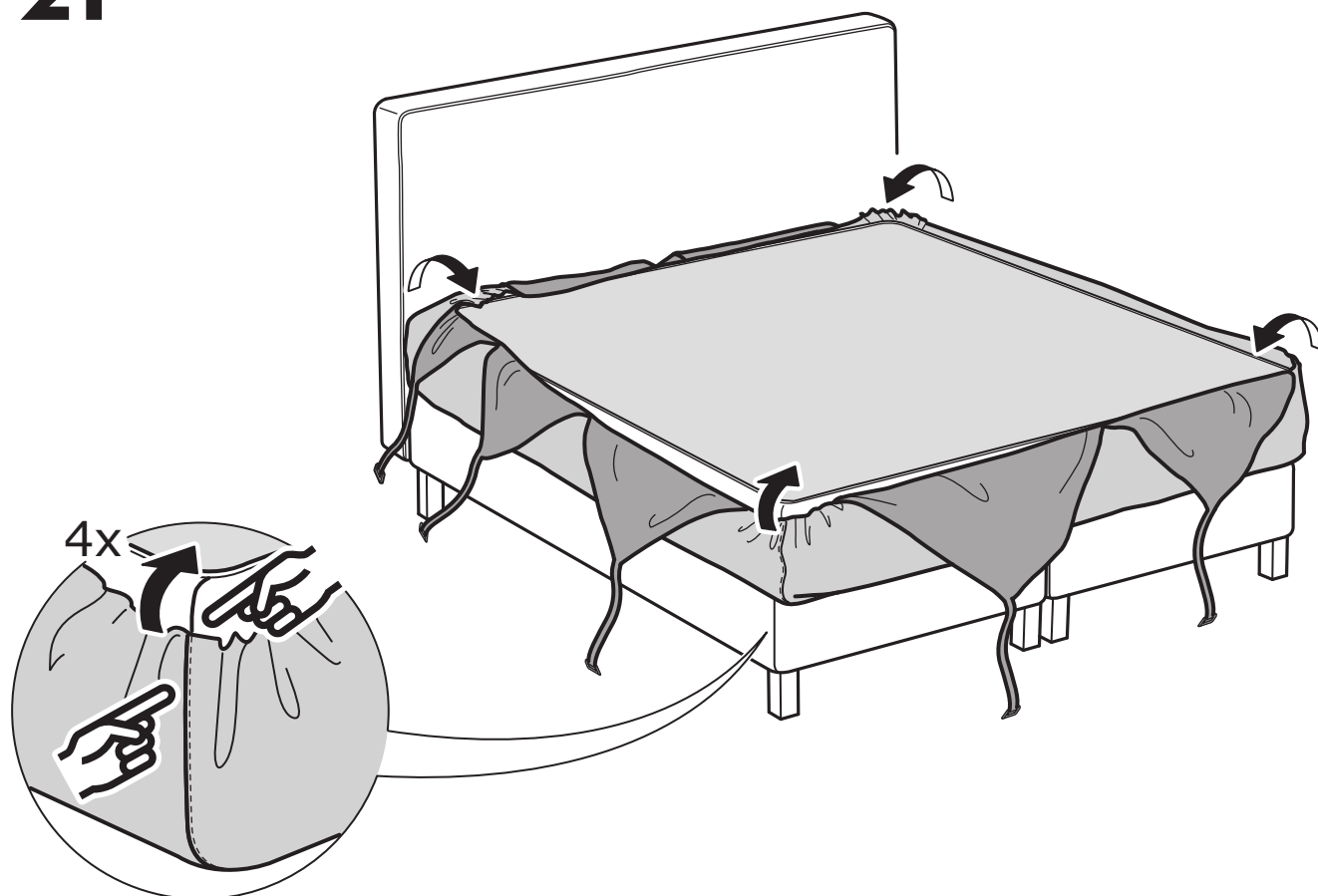
19



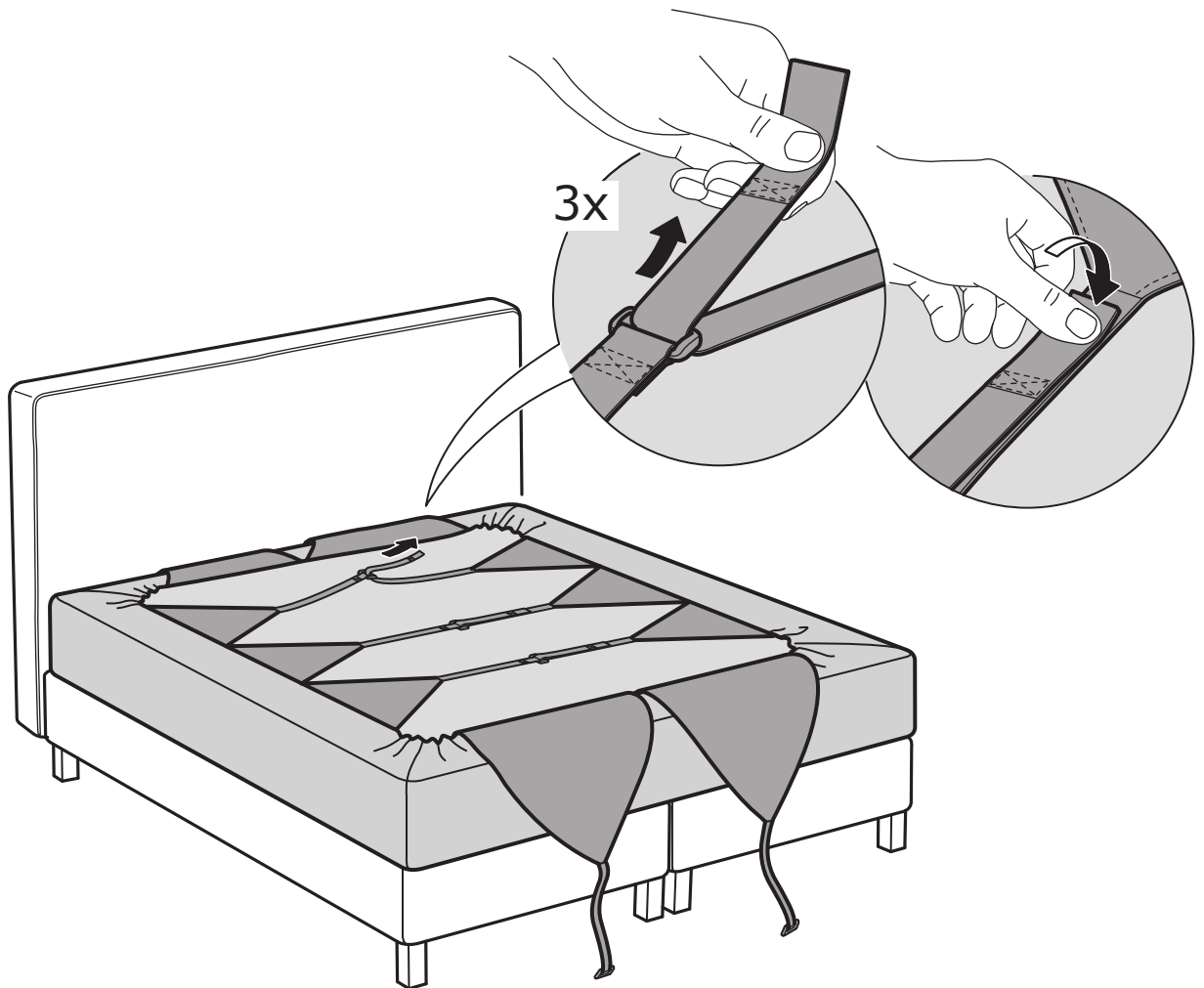
20



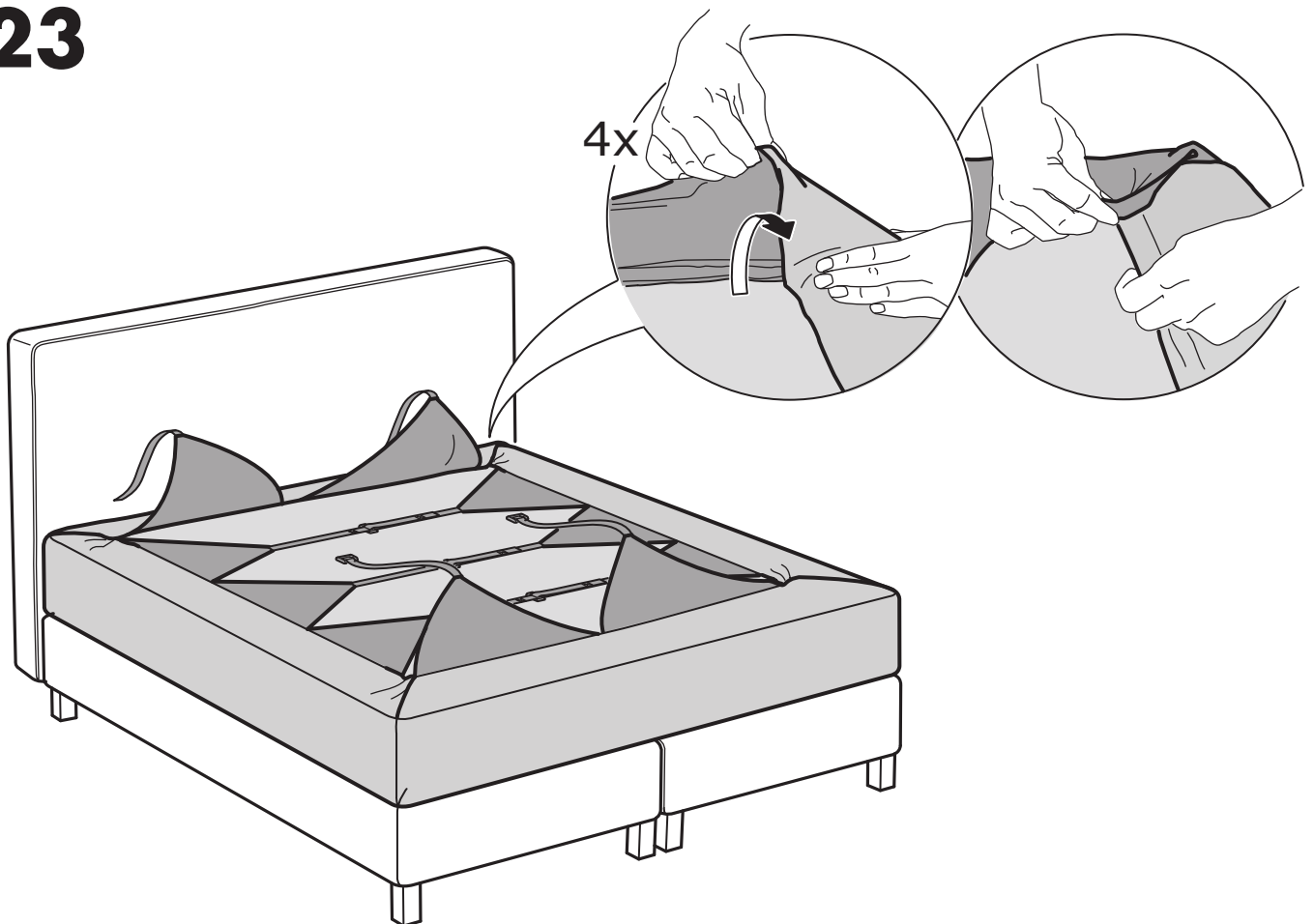
21



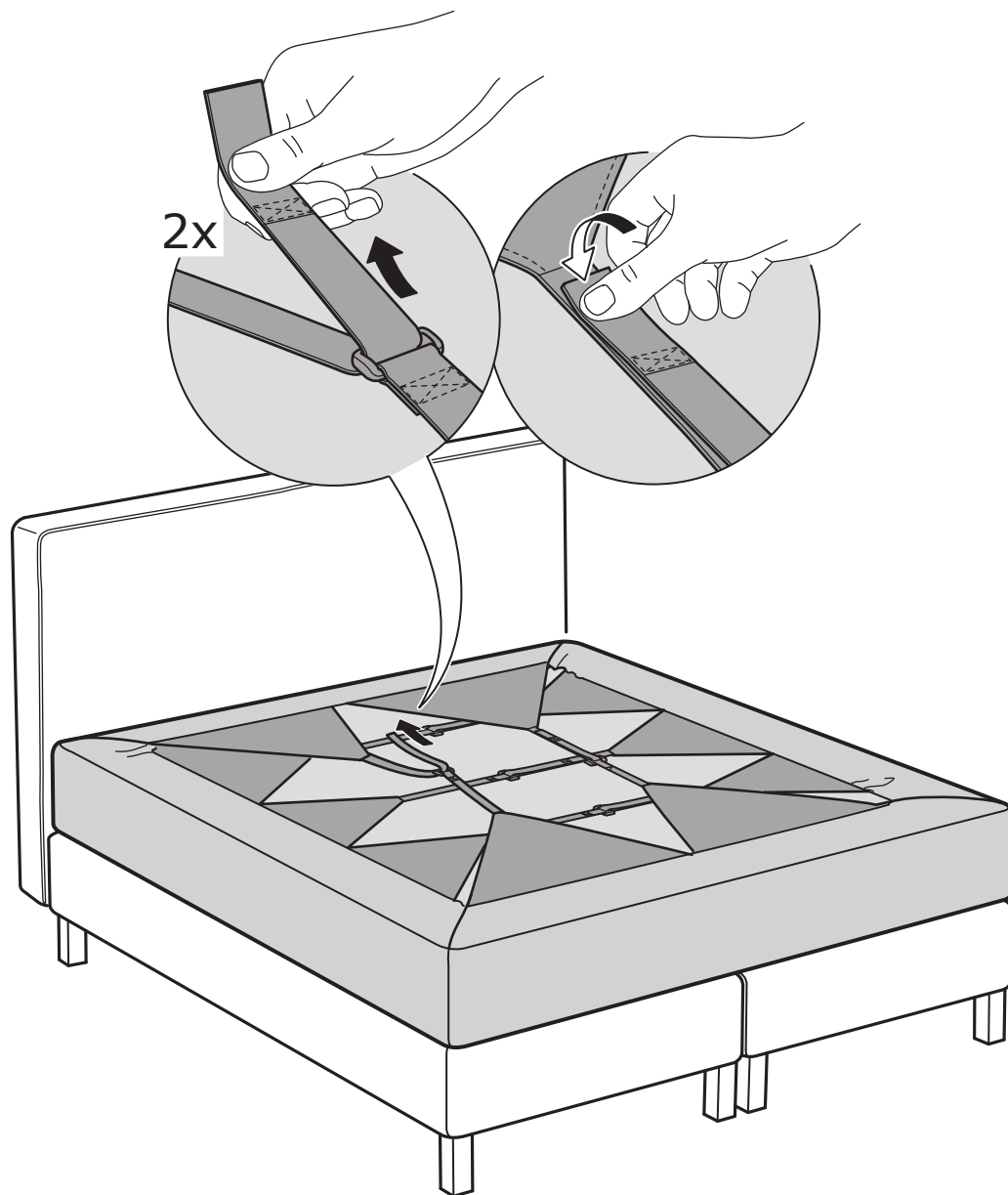
22



23



24



25

