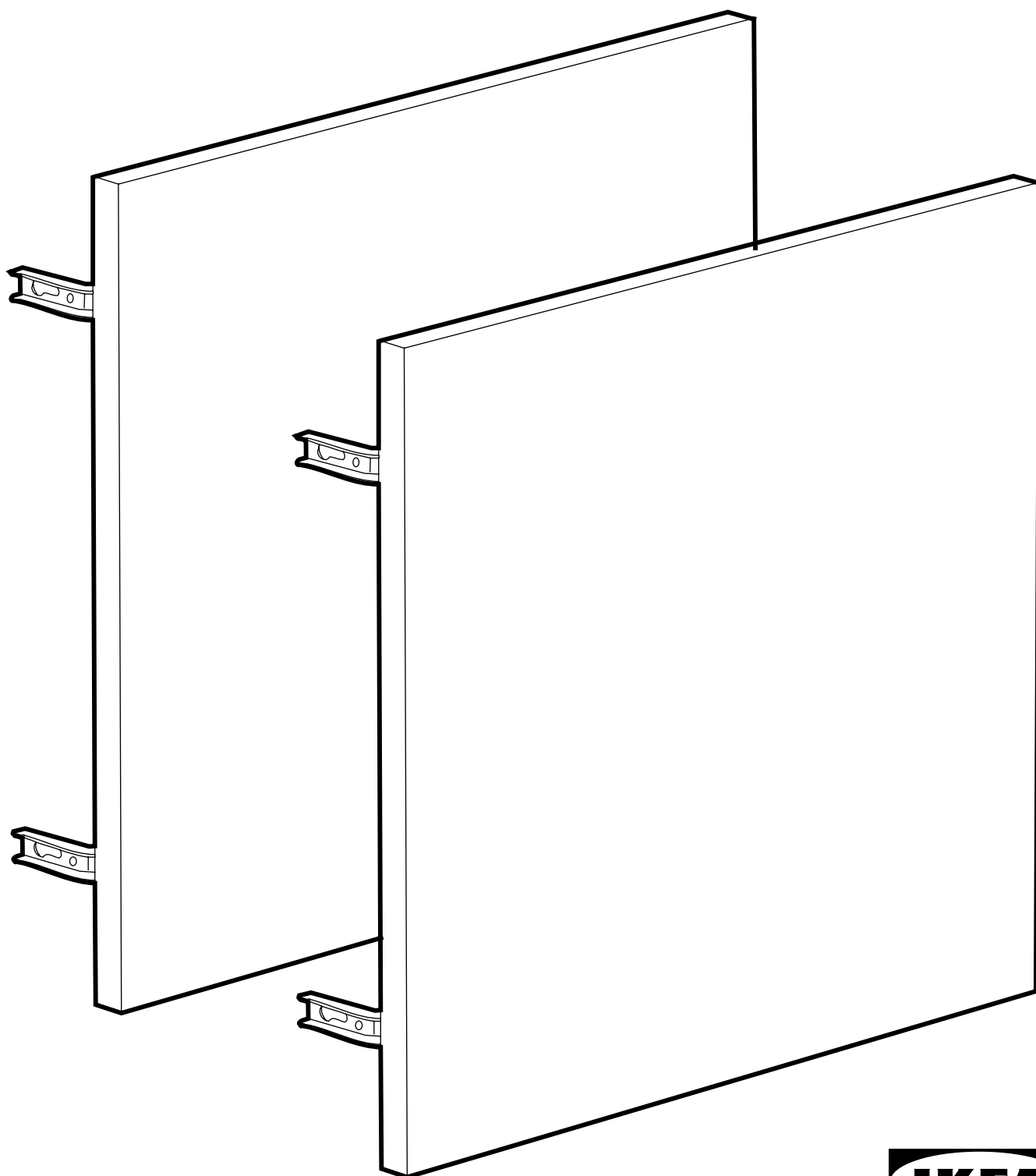
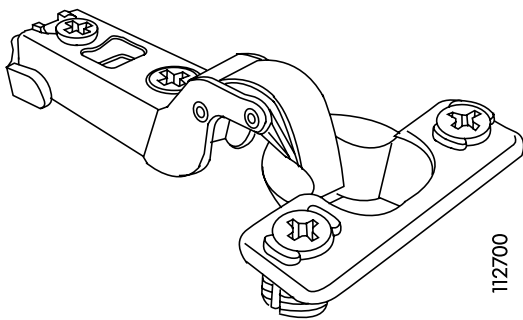
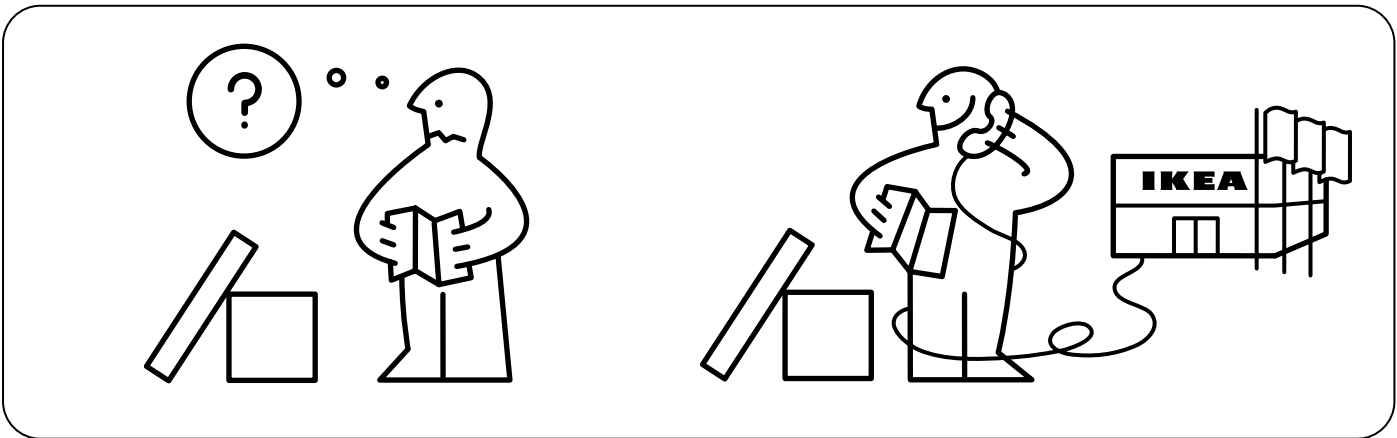
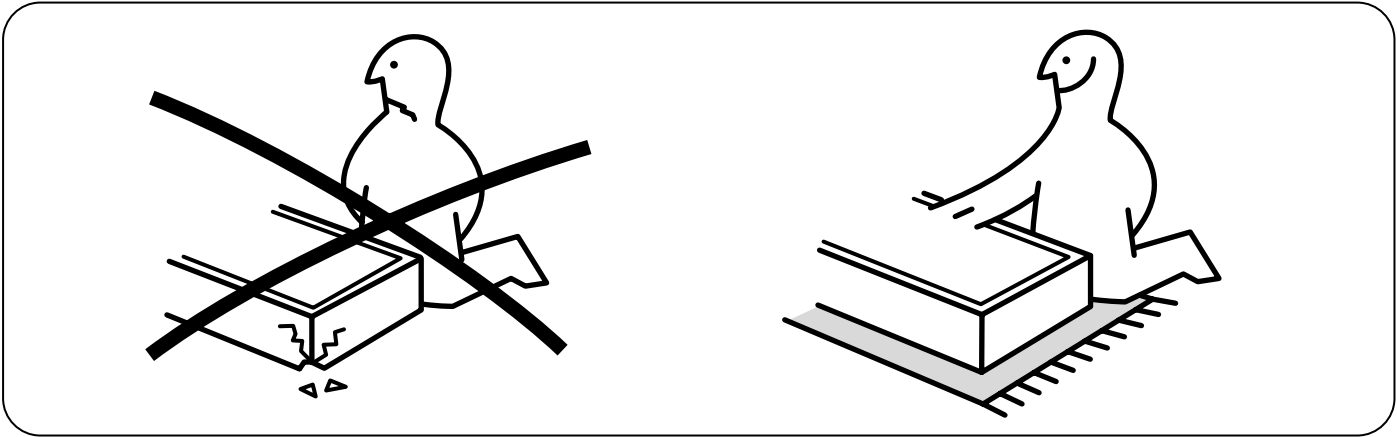
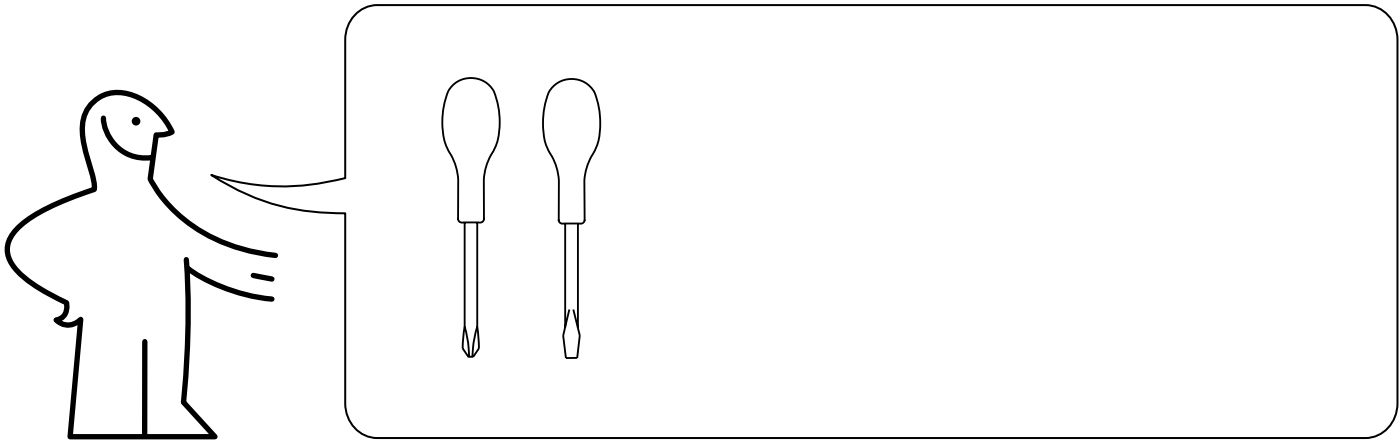


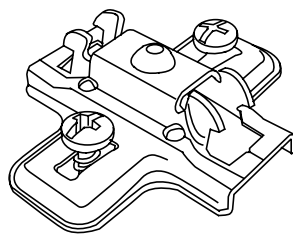
EFFEKTIV



Design and Quality
IKEA of Sweden



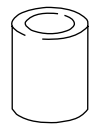
4x



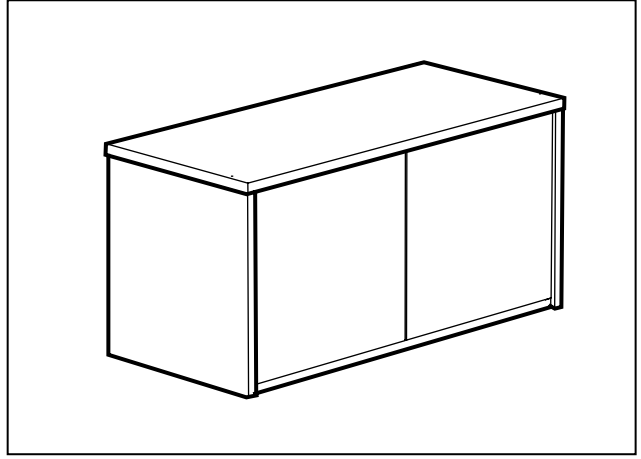
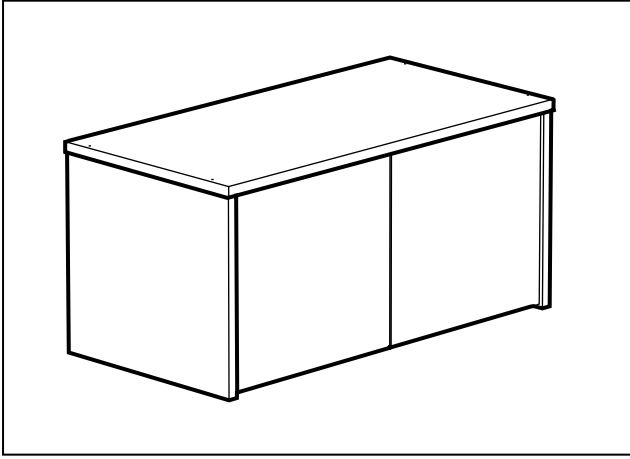
4x



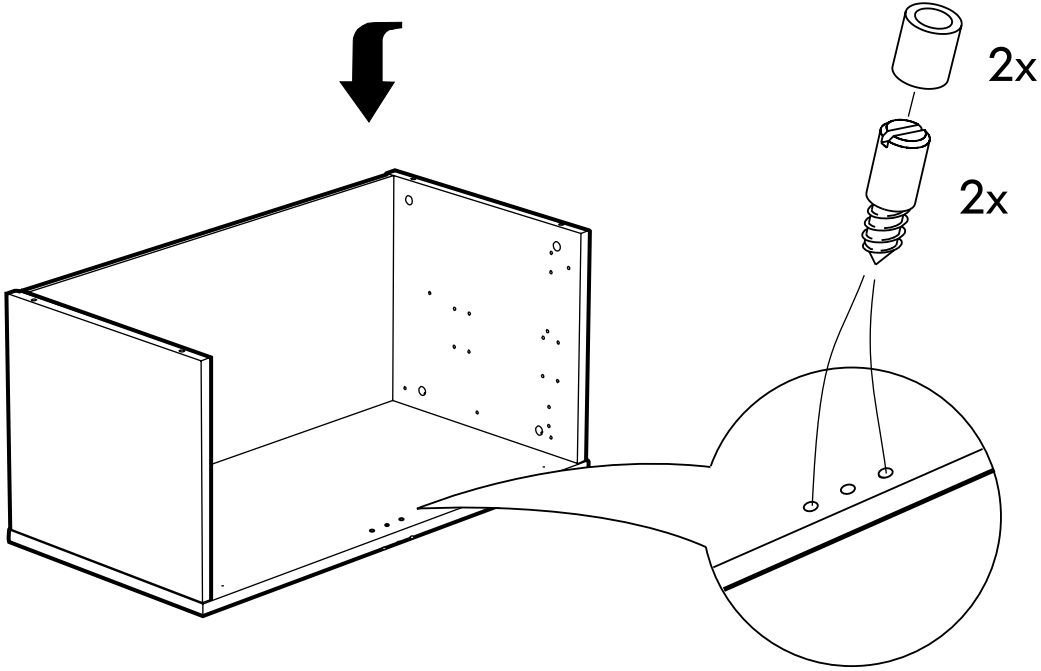
2x



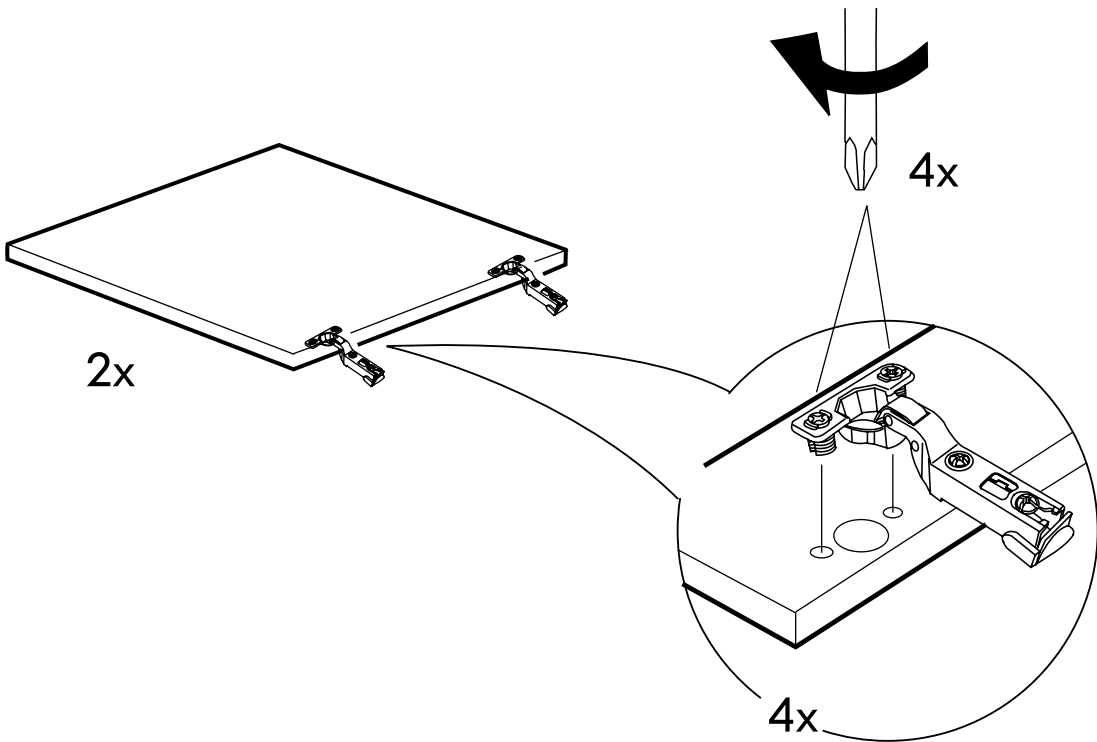
2x



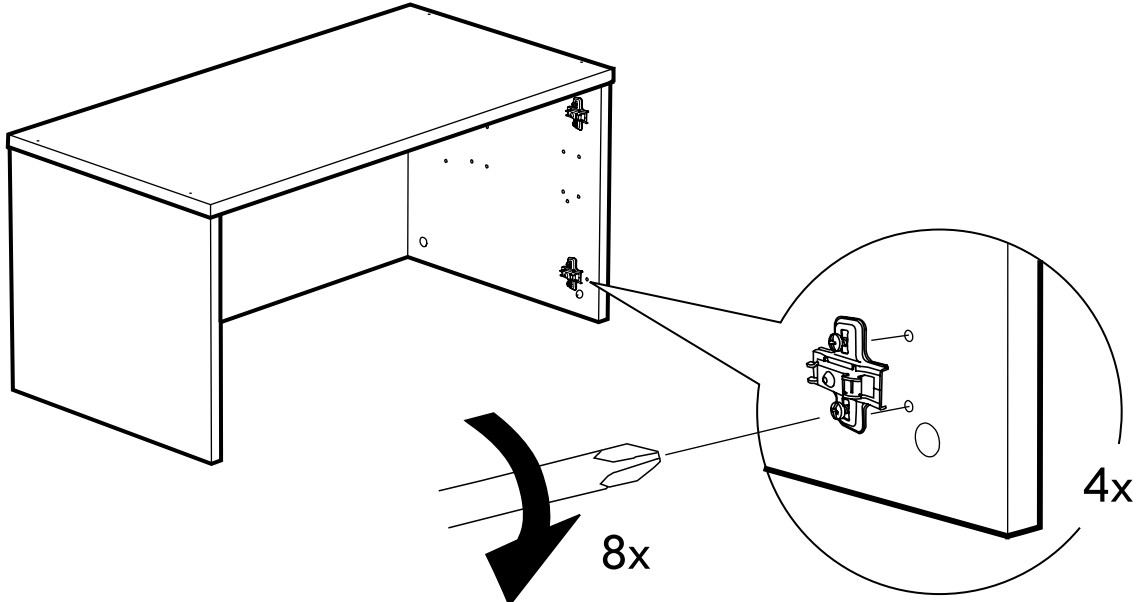
1



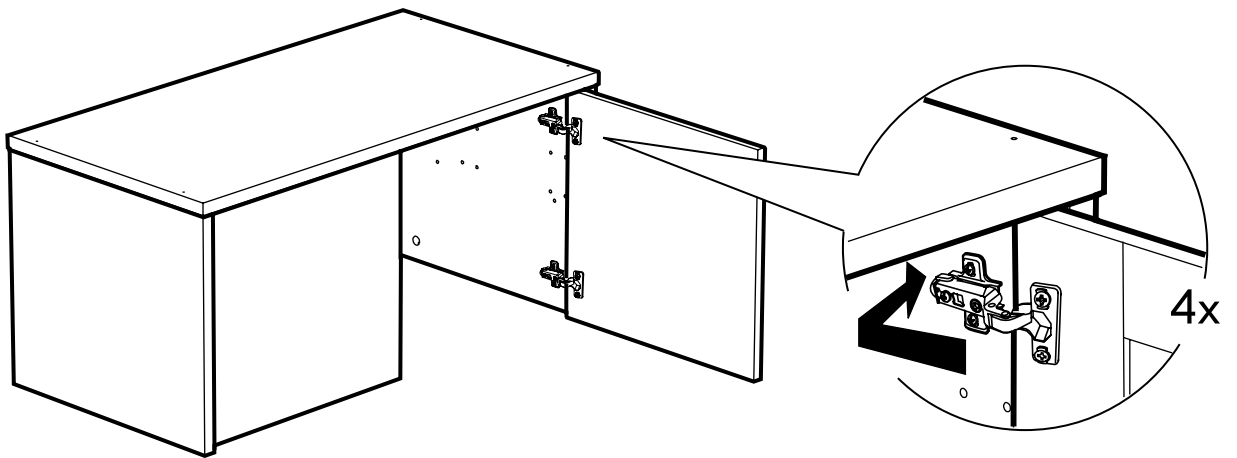
2



3



4



5

