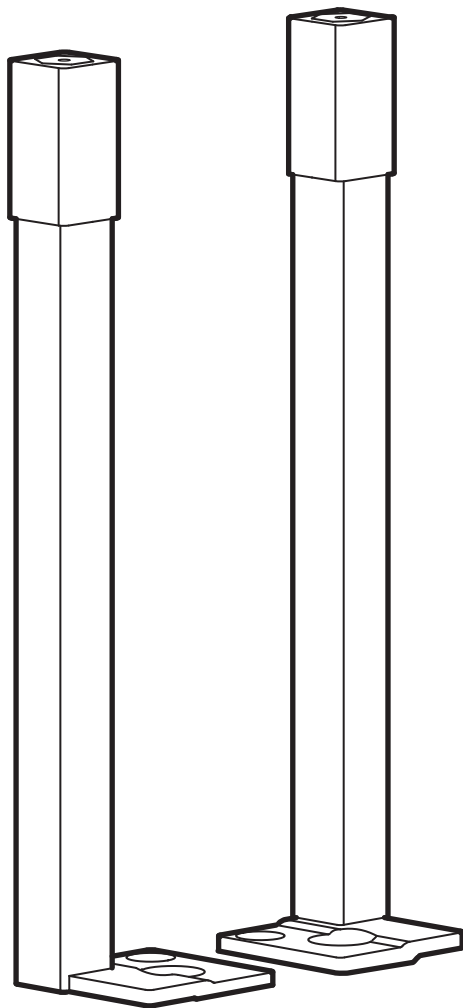
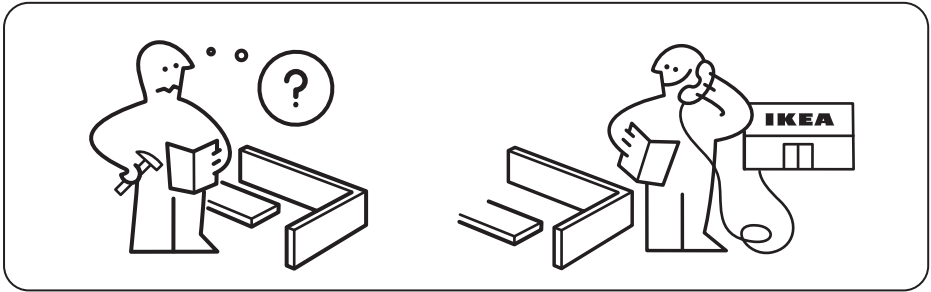
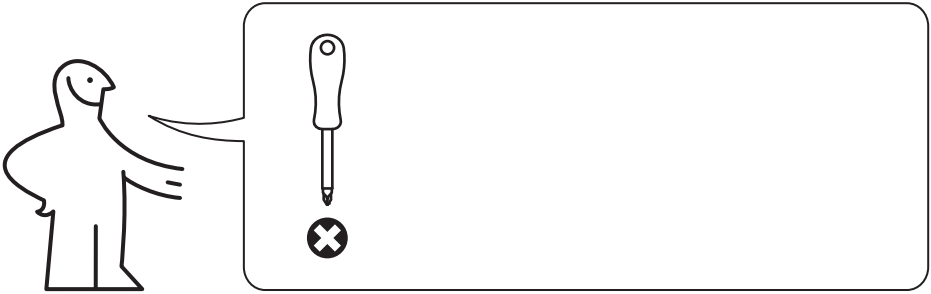


ENHET



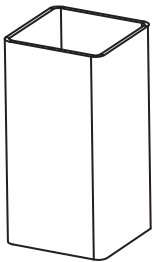
Design and Quality
IKEA of Sweden



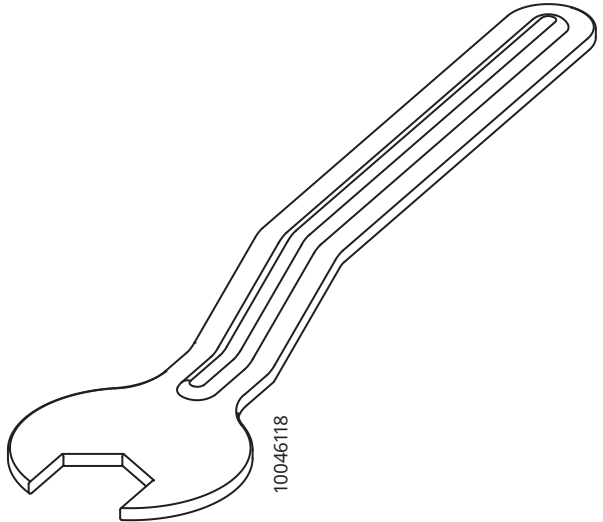
2x



2x

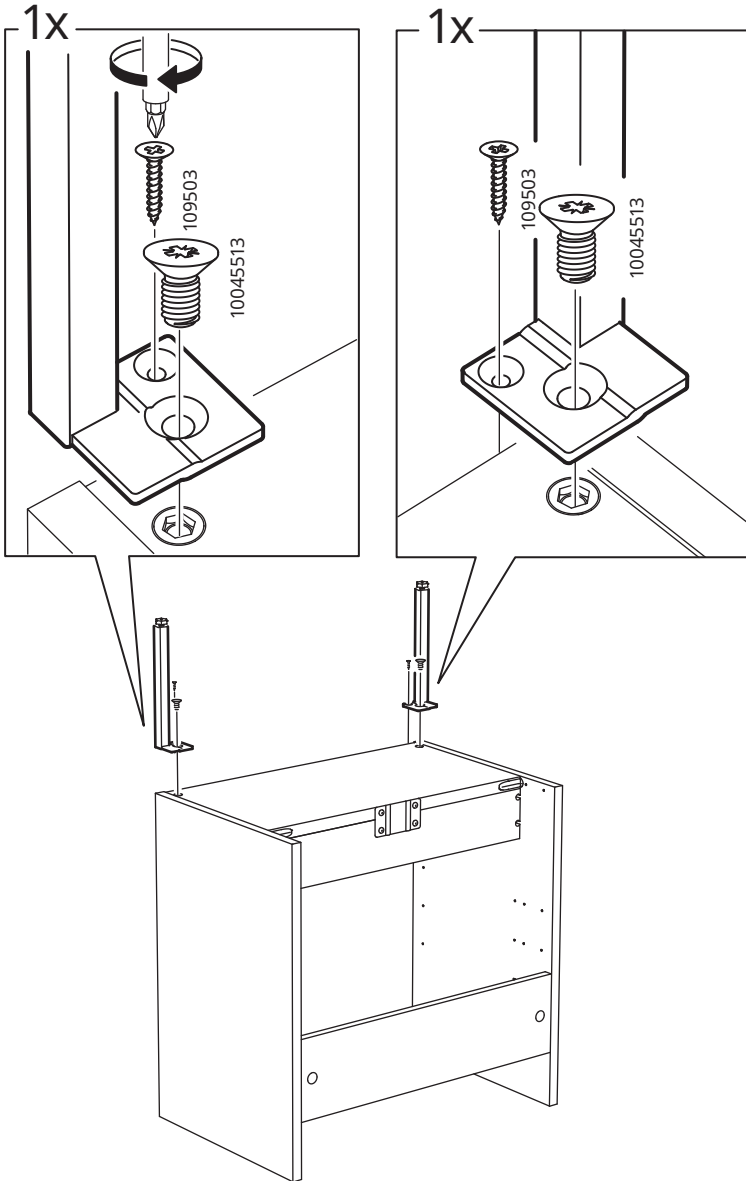


2x



1x

1



2

2x

