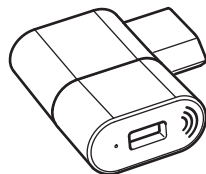
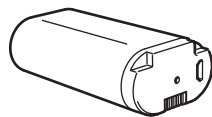
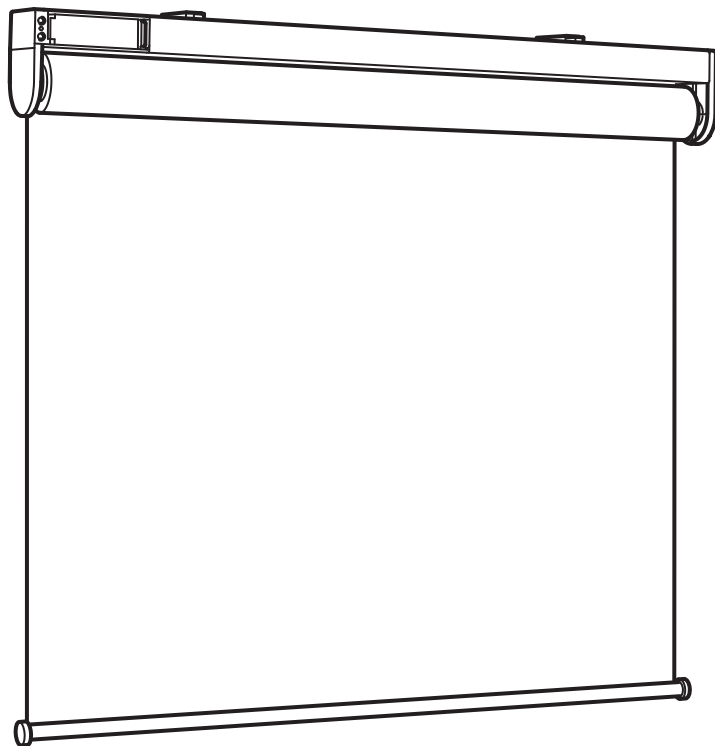
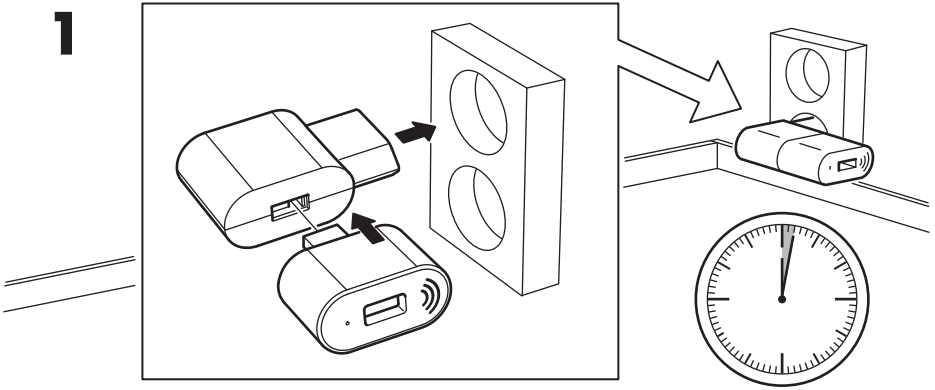


QUICK START GUIDE

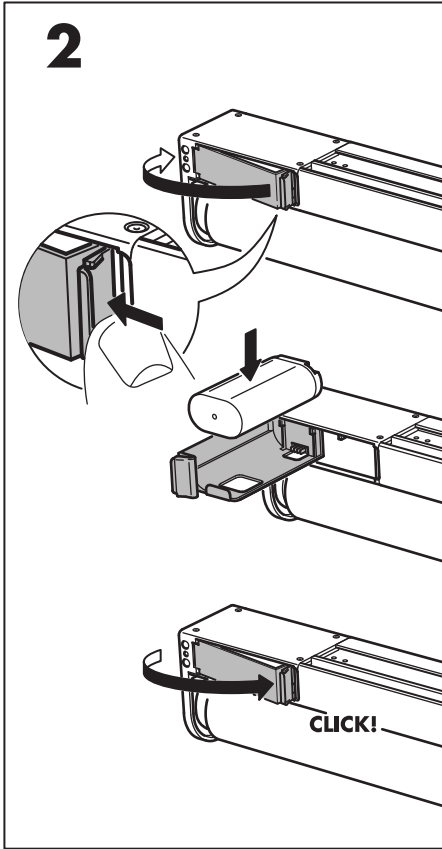


Design and Quality
IKEA of Sweden

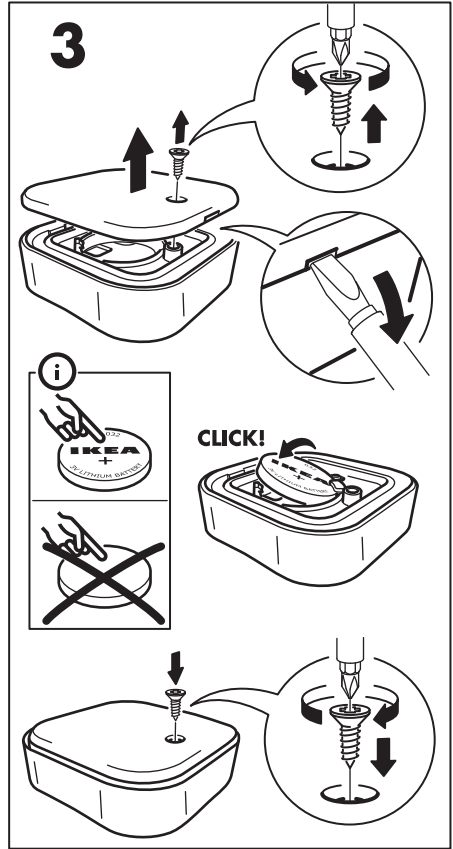
1



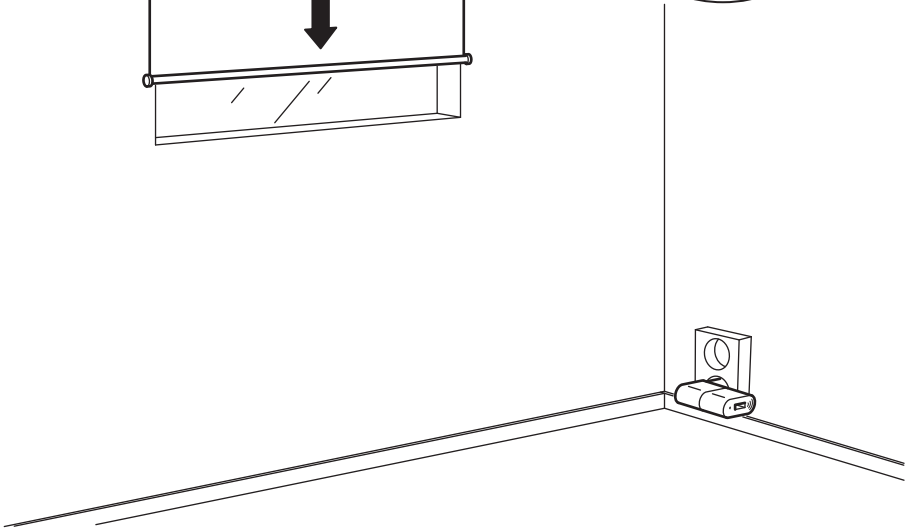
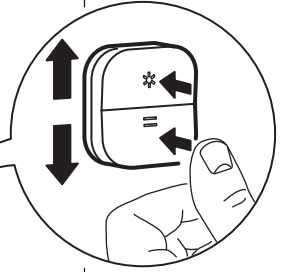
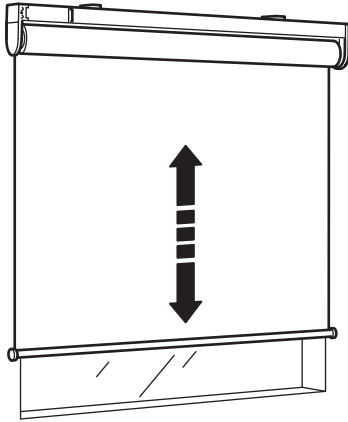
2



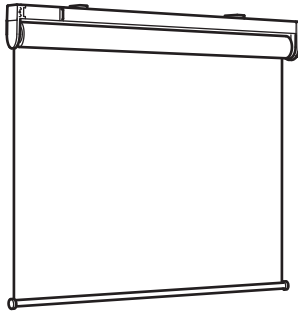
3



4



1x



2-4x



