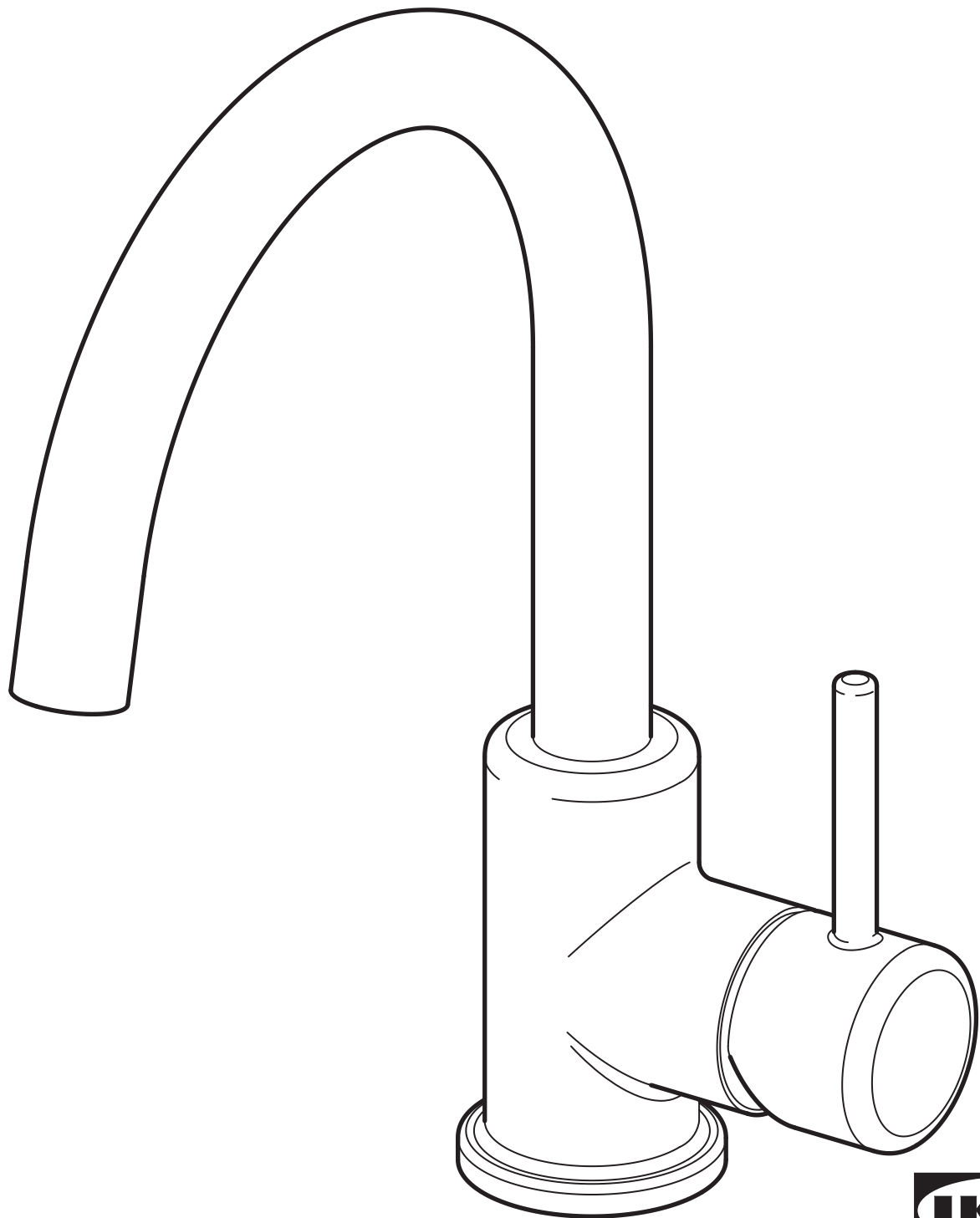


GLYPEN



Design and Quality
IKEA of Sweden



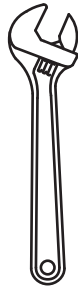
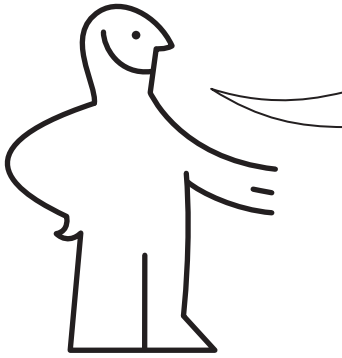
English

Installation must be performed in compliance with current local construction and plumbing regulations. If in doubt, contact a professional.

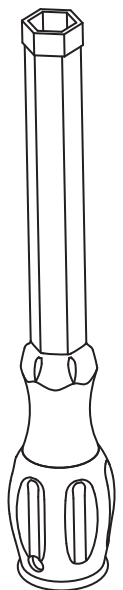
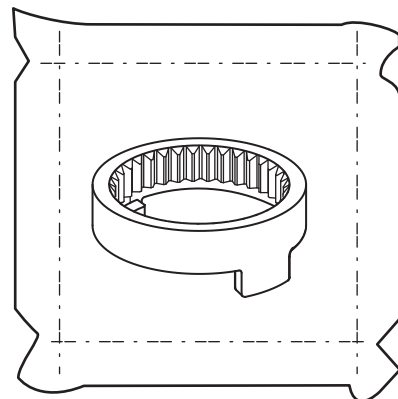
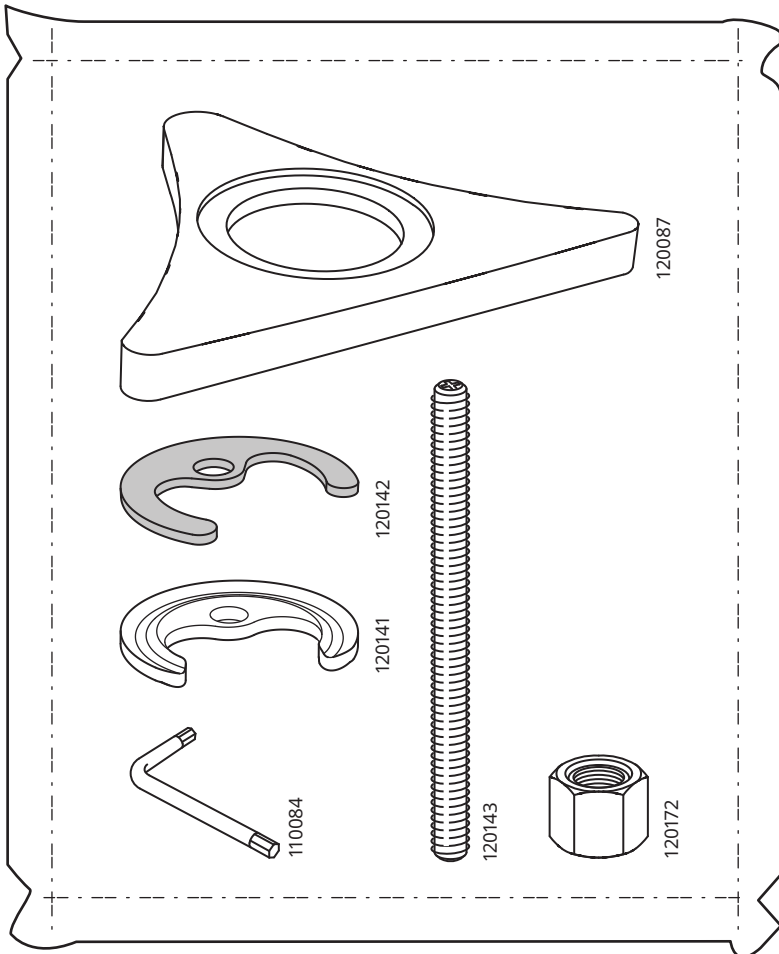
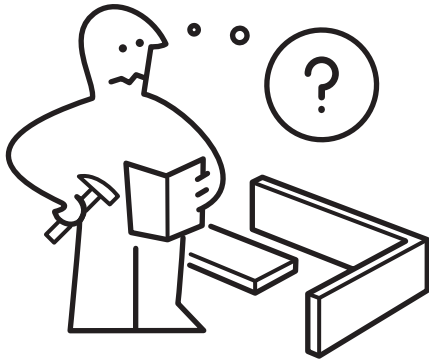


English

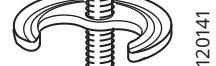
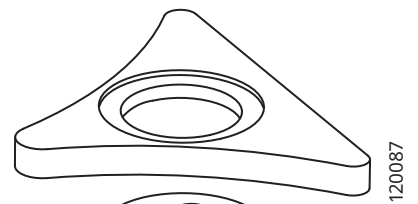
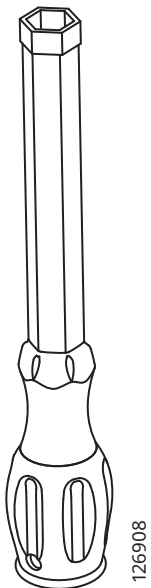
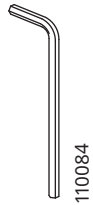
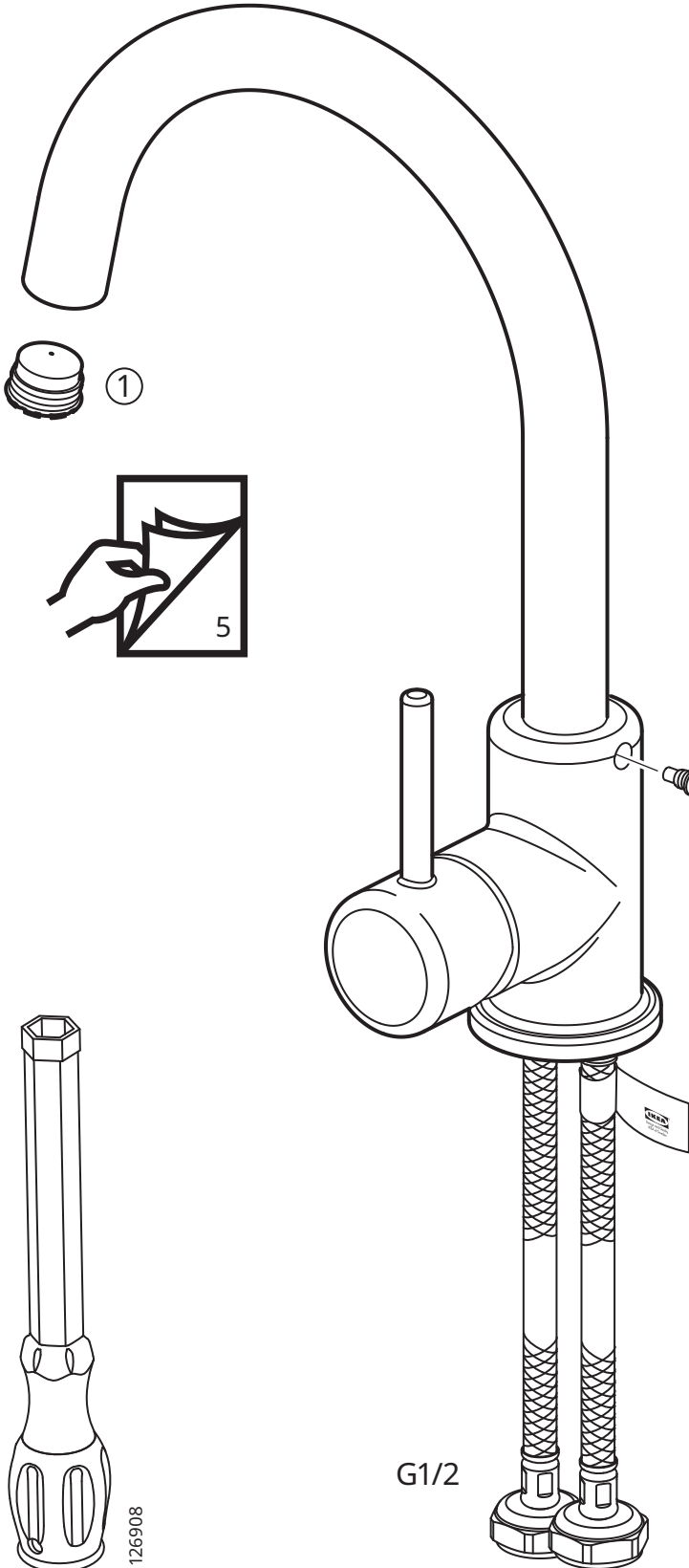
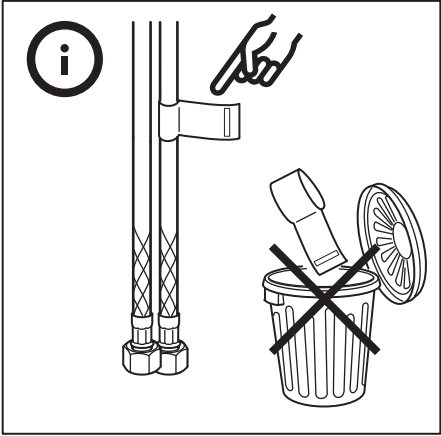
Switch off main shut-off valve before changing mixer tap.


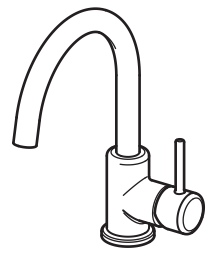


2x




126908




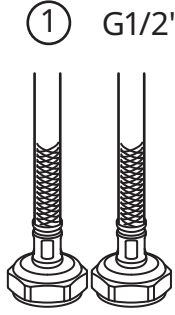
304-423-89



Max. 60°C ☺
Max. 80°C

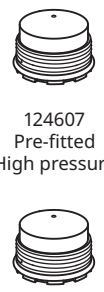


0,5 - 5 bar ☺
0,2 - 10 bar



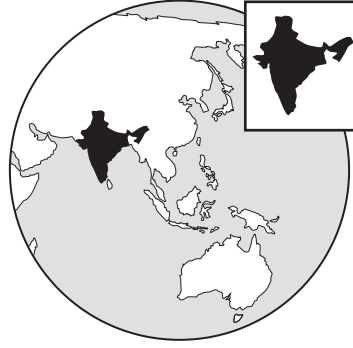
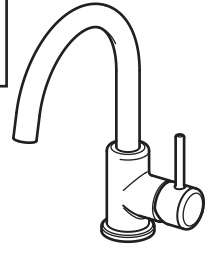
144963

G1/2"




124607
Pre-fitted
High pressure


139268
Low pressure

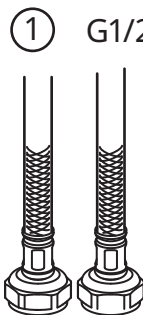
104-423-90



Max. 60°C ☺
Max. 80°C




0,2 - 5 bar ☺
0,1 - 10 bar



10004080
Pre-fitted
Low pressure

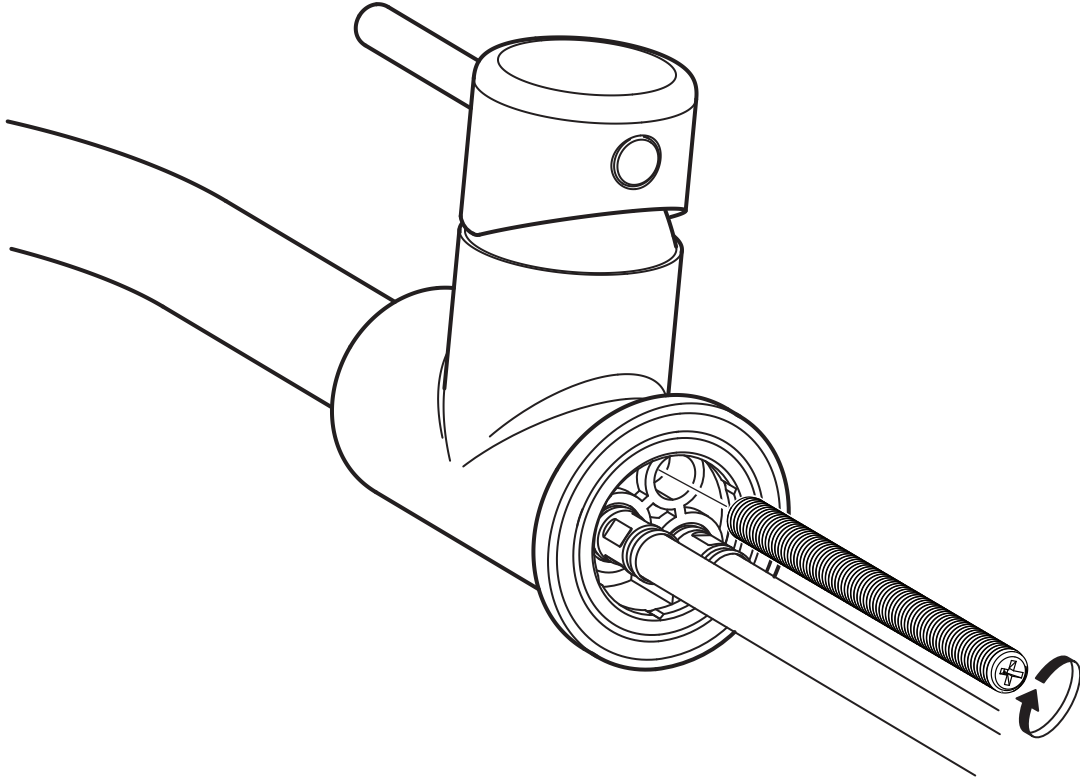
G1/2"



124607
High pressure



1

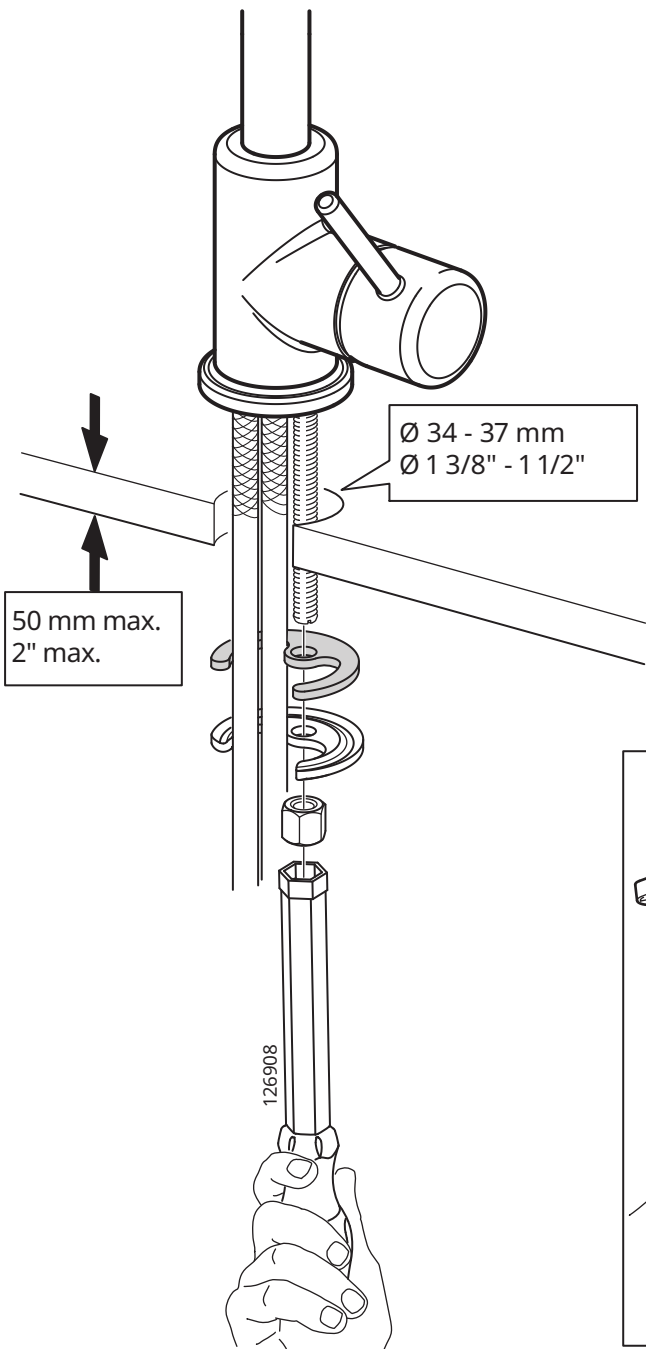
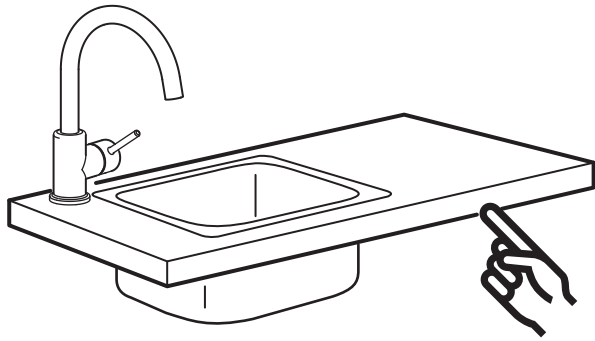




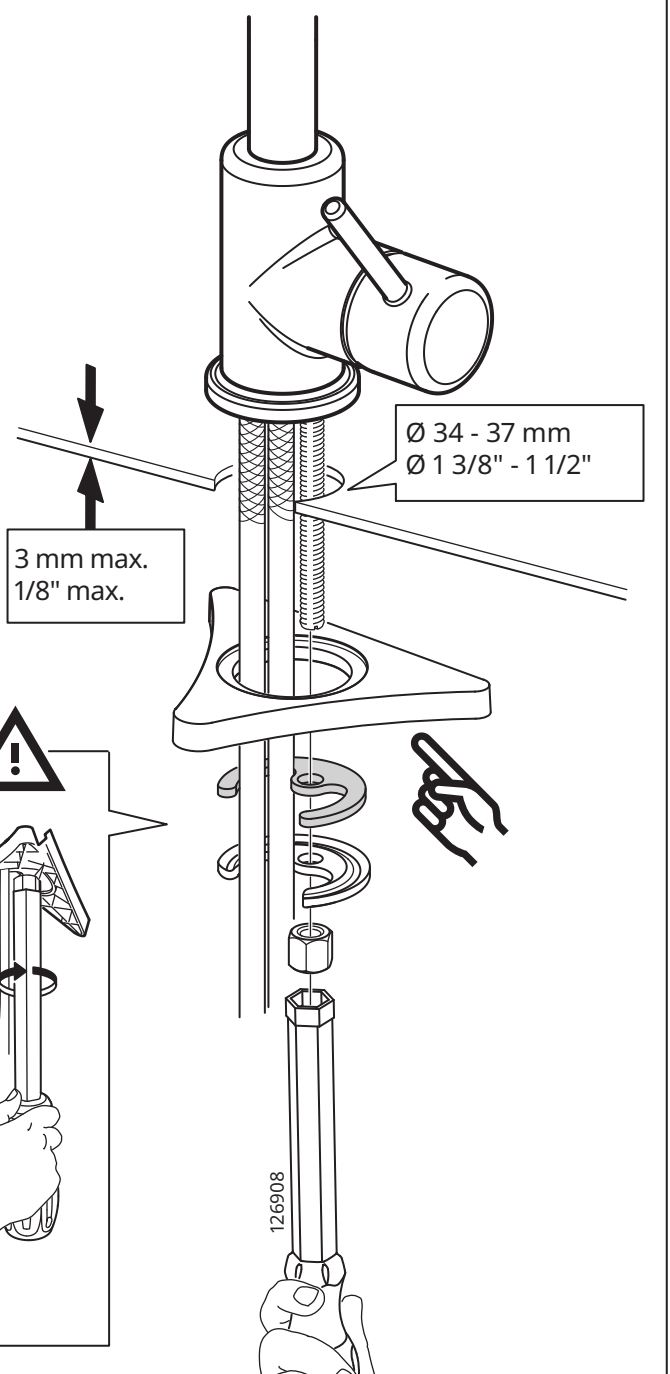
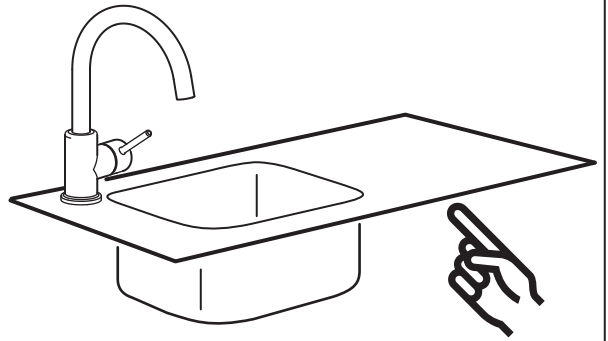
English

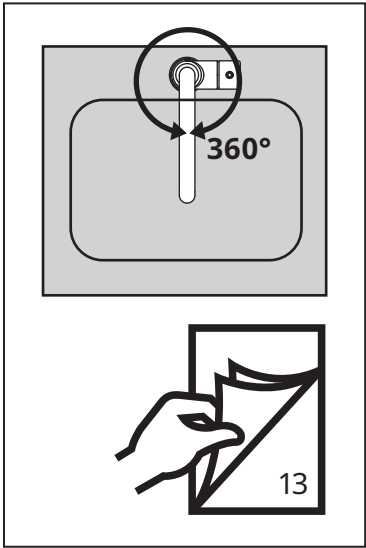
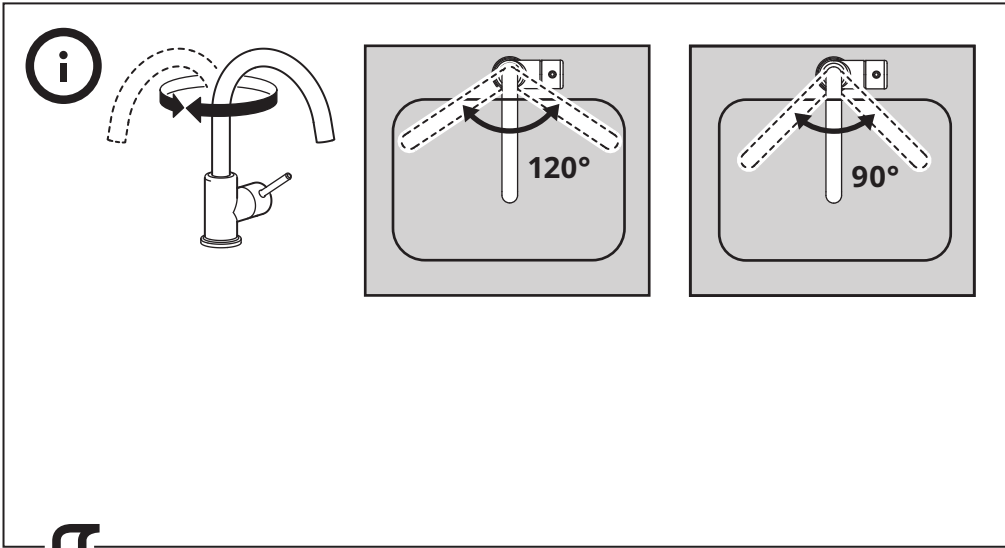
Seal the open surfaces with silicone to prevent water from penetrating the worktop upon any leaks. Silicone is not included.

2

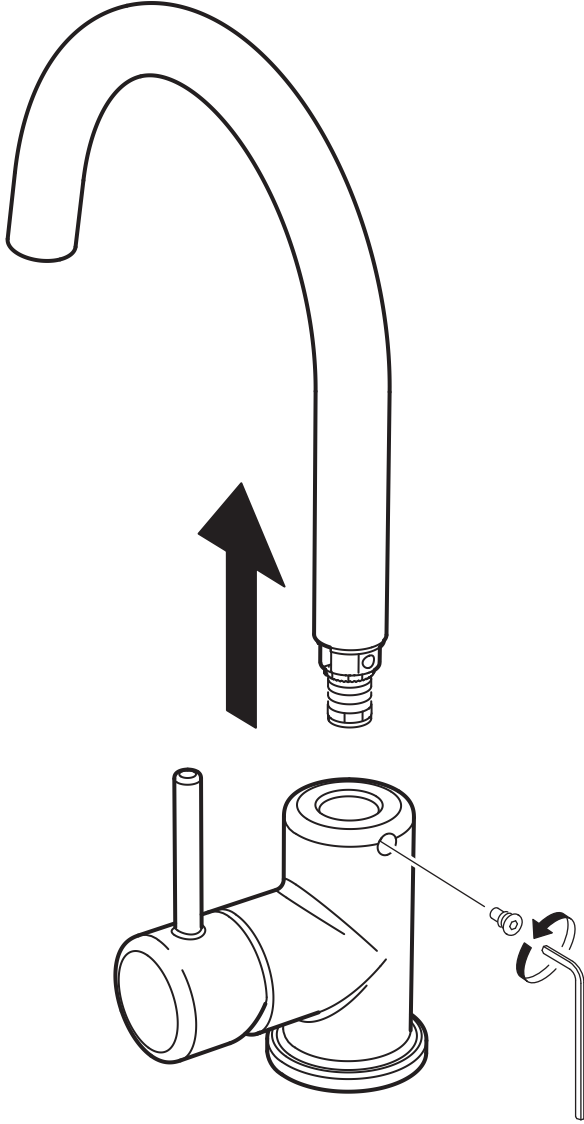


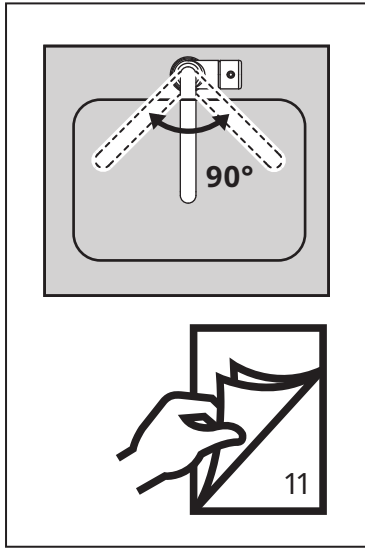
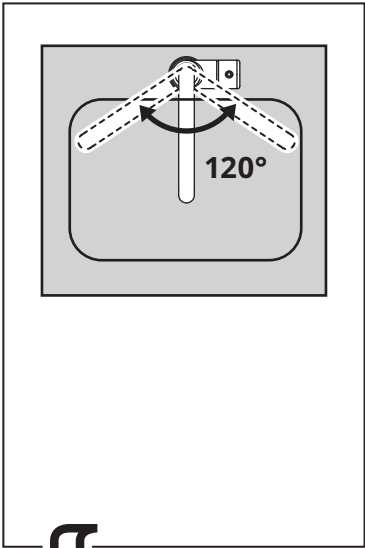
2



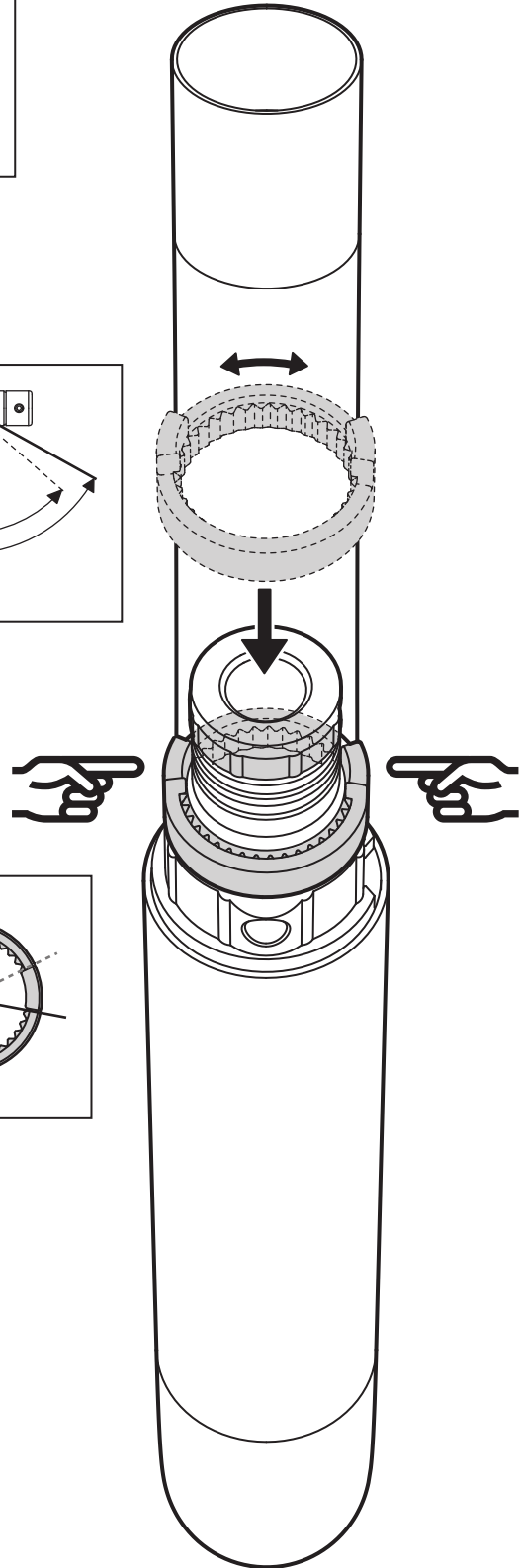
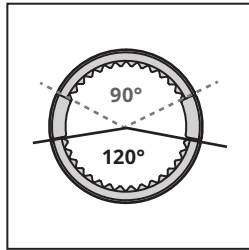
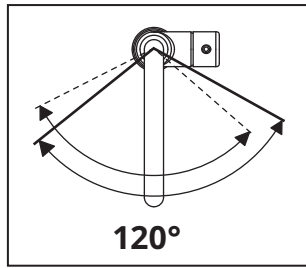
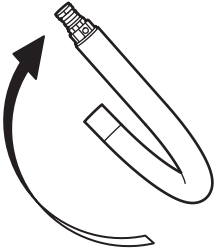


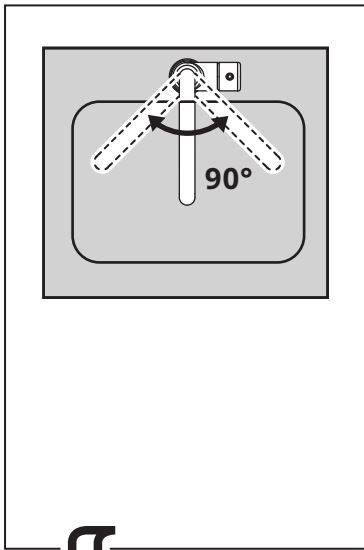
↕
3



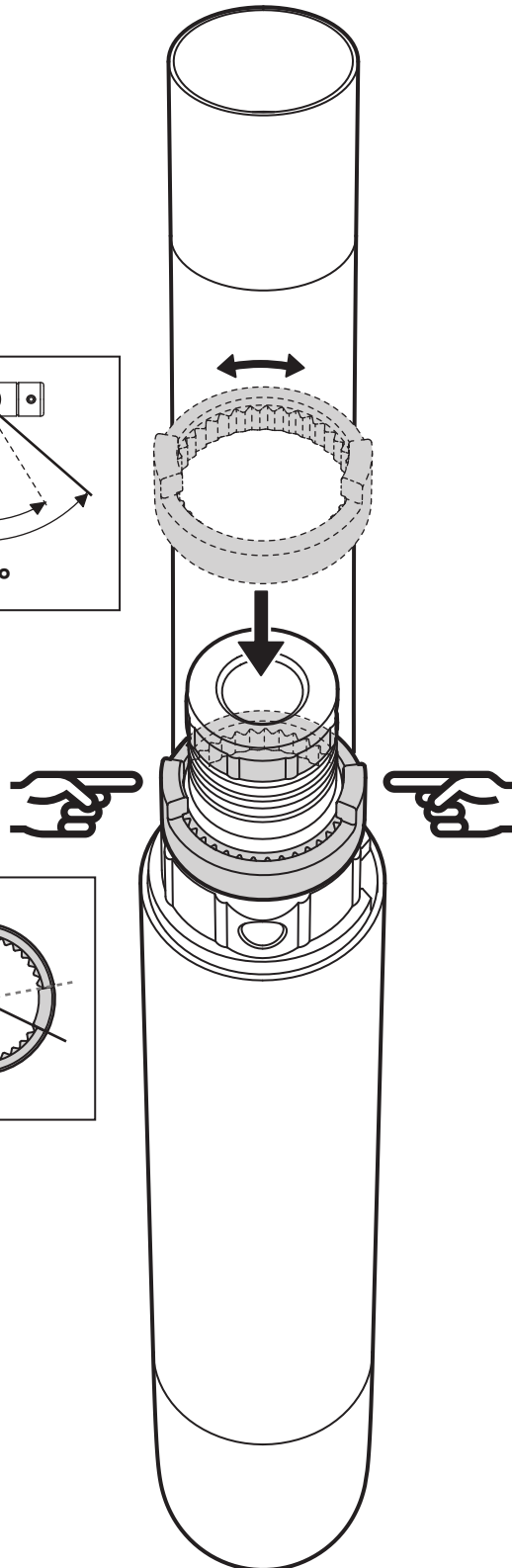
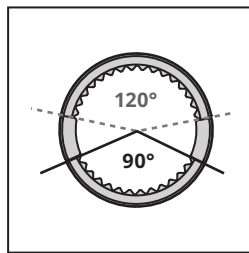
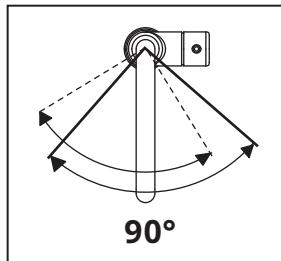
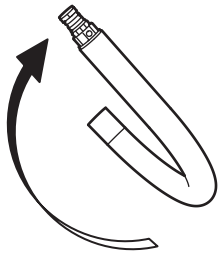


4

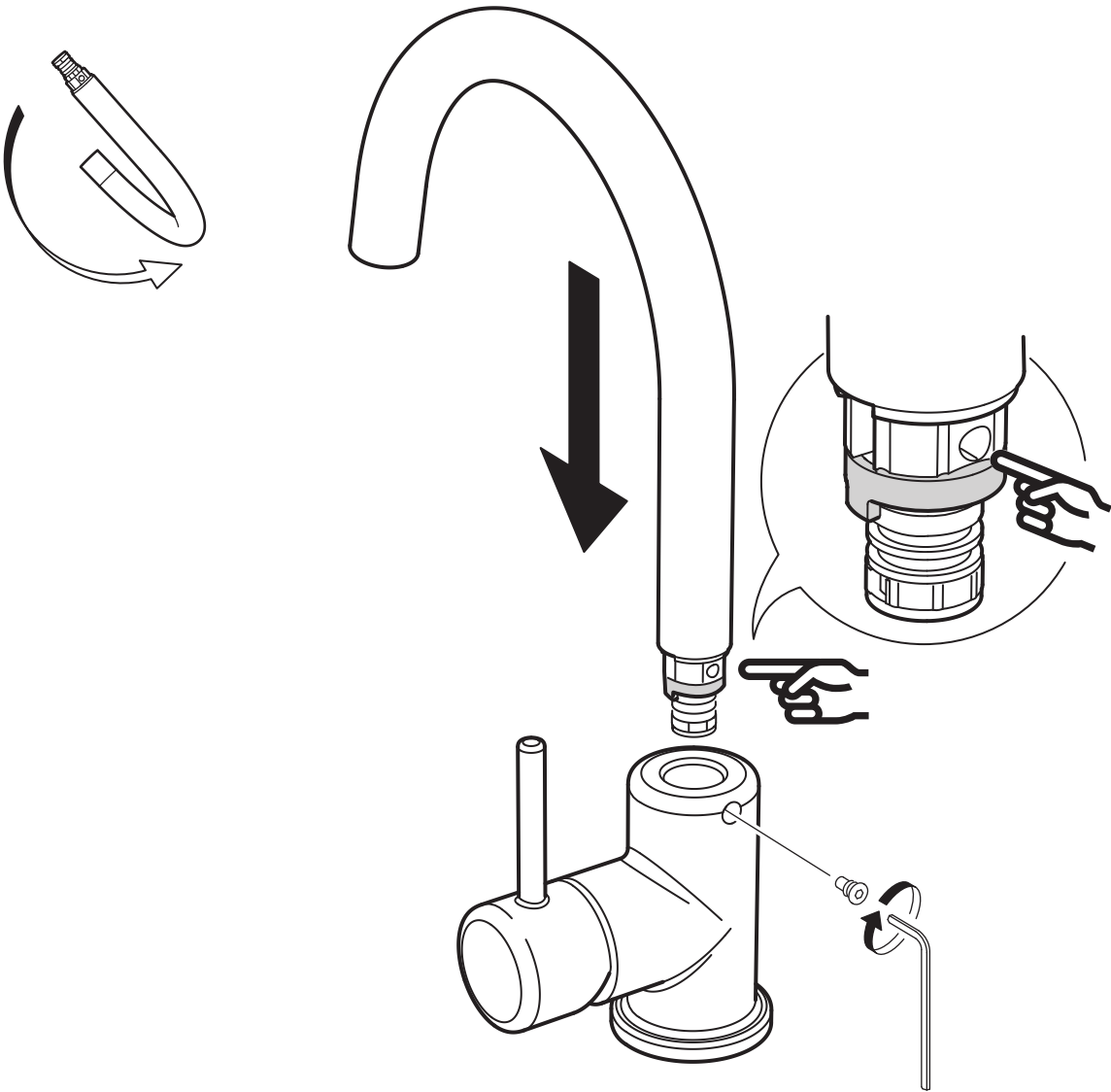




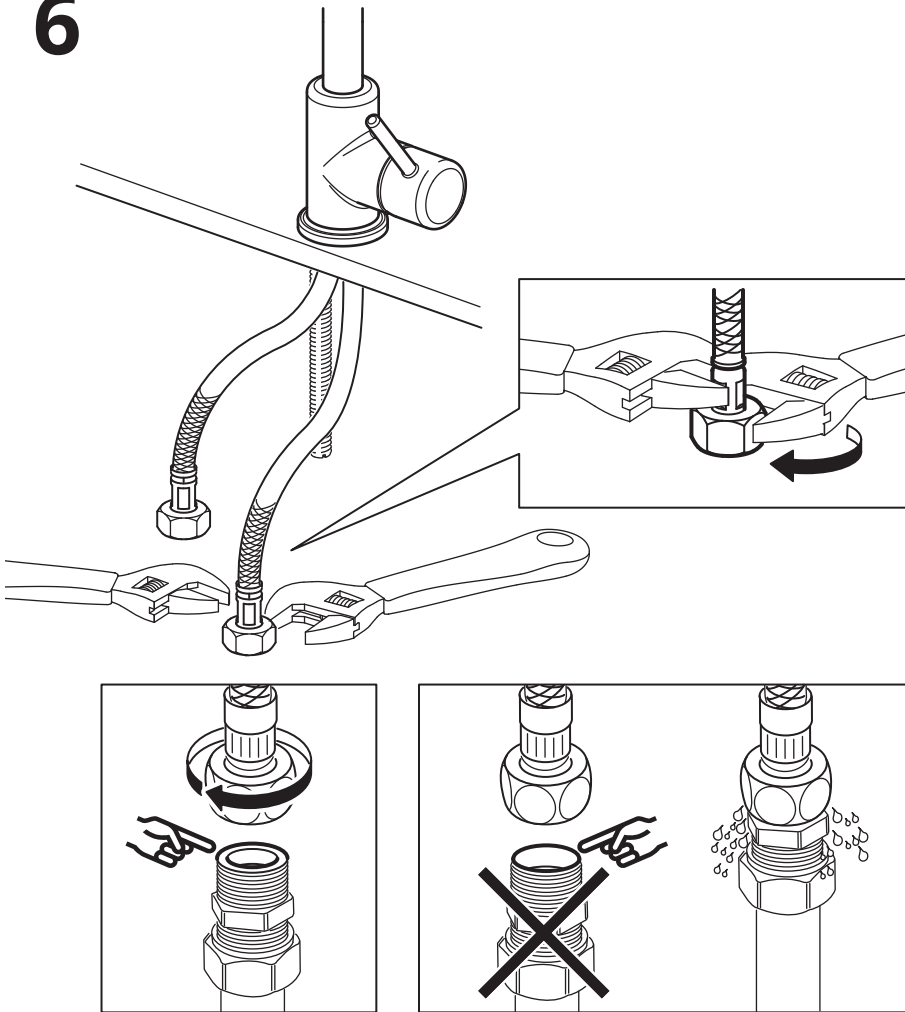
4



5

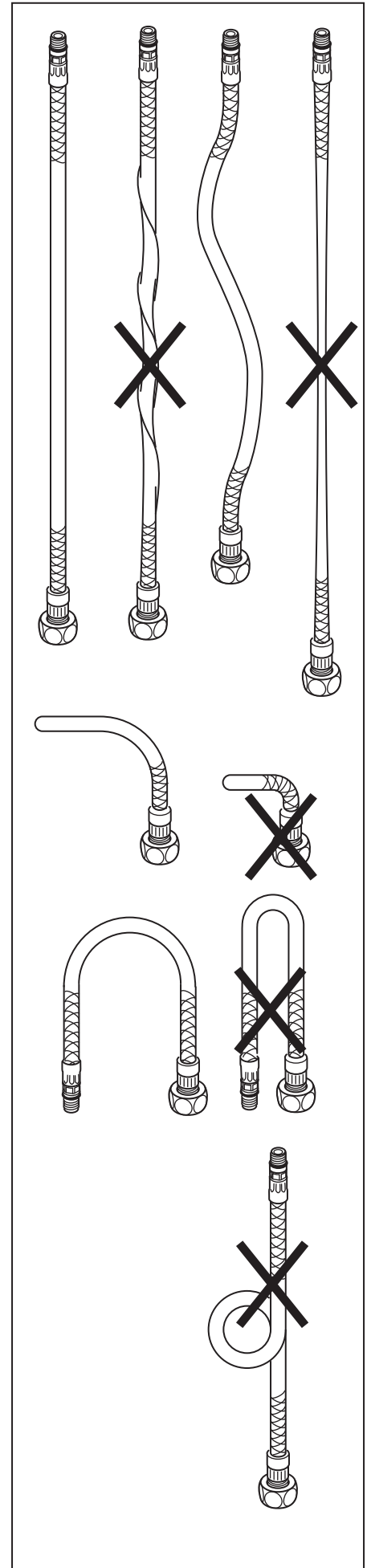


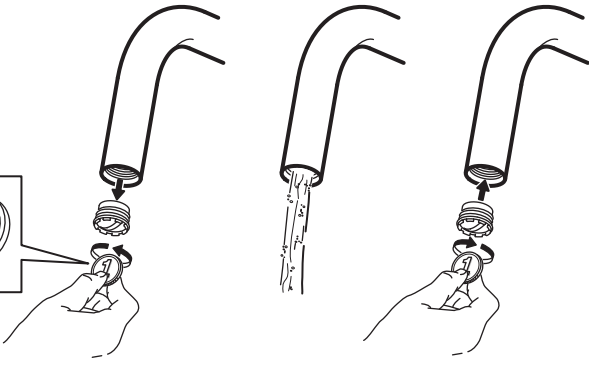
6



English

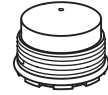
IMPORTANT! Do not tighten too hard: this can damage hoses/pipes and washers.



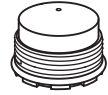


English

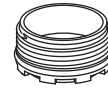
Before use: Unscrew the Aerator/Flow Guide with a coin and allow the water to run freely for a few minutes. Then screw the Aerator/Flow Guide back in place up to the stop DO NOT OVER TIGHTEN.



124607
Pre-fitted
High pressure



139268
Low pressure



10004080
Pre-fitted
Low pressure
system



124607
High pressure
system



English

Check at regular intervals to make sure that the installation is not leaking.

