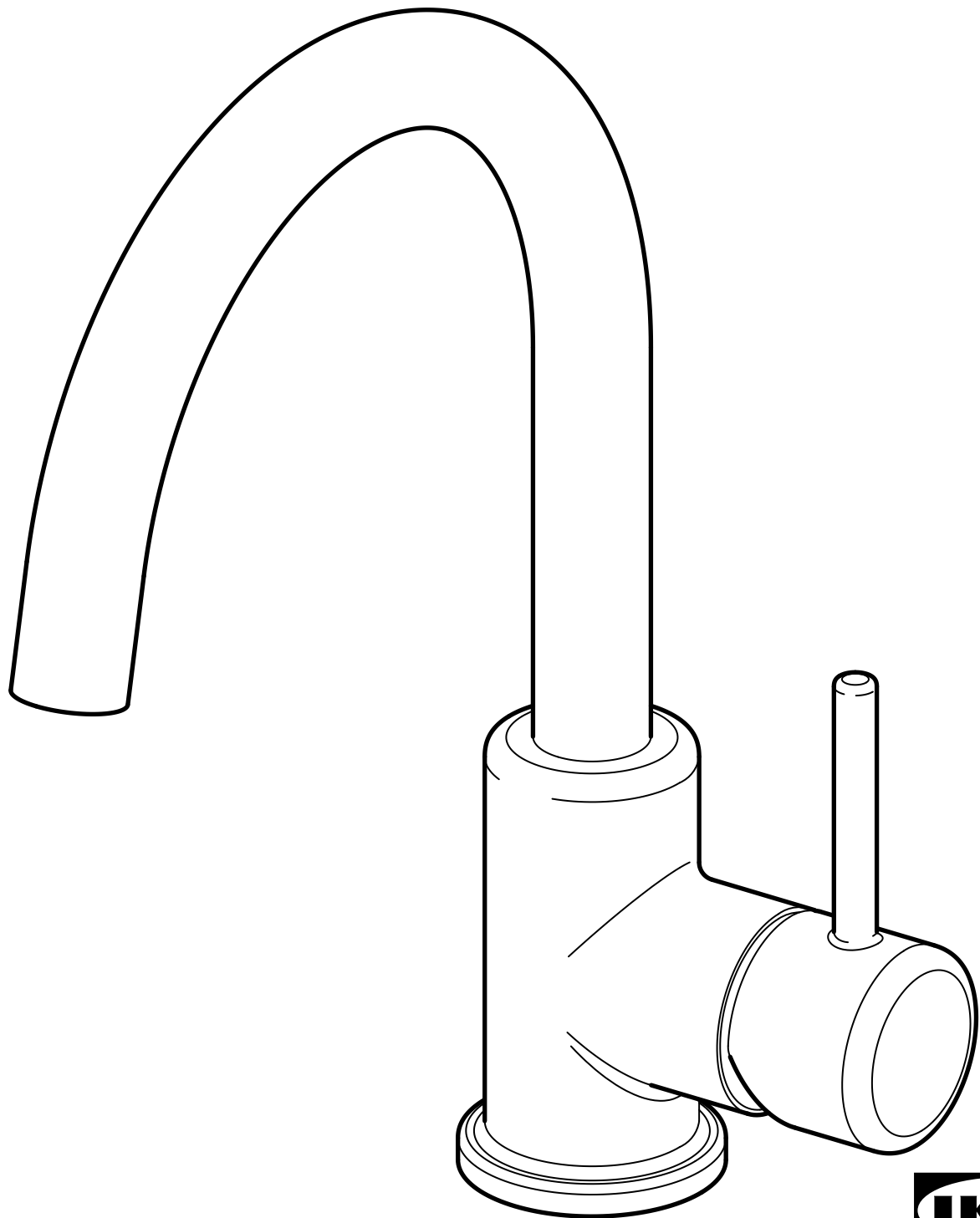


# GLYPEN



Design and Quality  
IKEA of Sweden



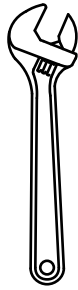
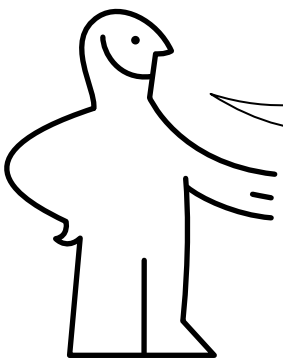
**English**

Installation must be performed in compliance with current local construction and plumbing regulations. If in doubt, contact a professional.

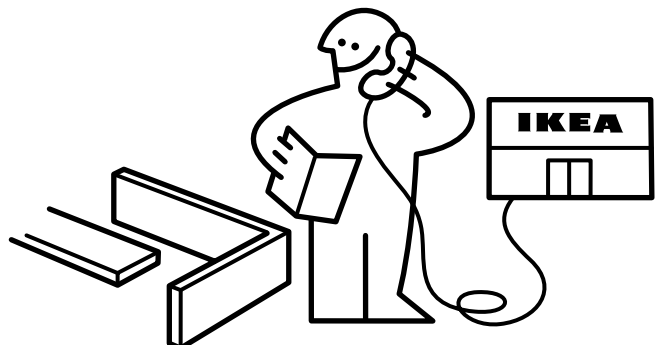
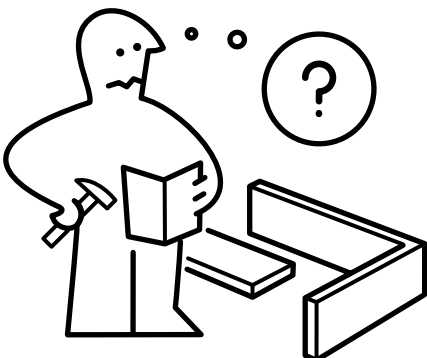


**English**


Switch off main shut-off valve before changing mixer tap.



2x



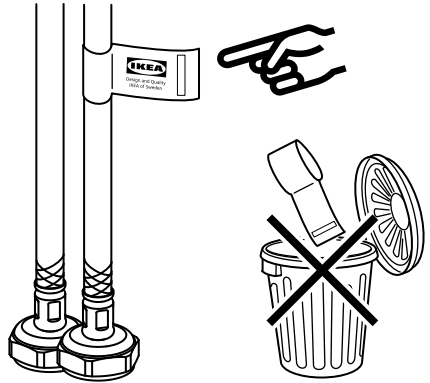
**i**




Max. 60°C ☺  
Max. 80°C

0,2 - 5 bar ☺  
0,1 - 10 bar


**i**



G1/2

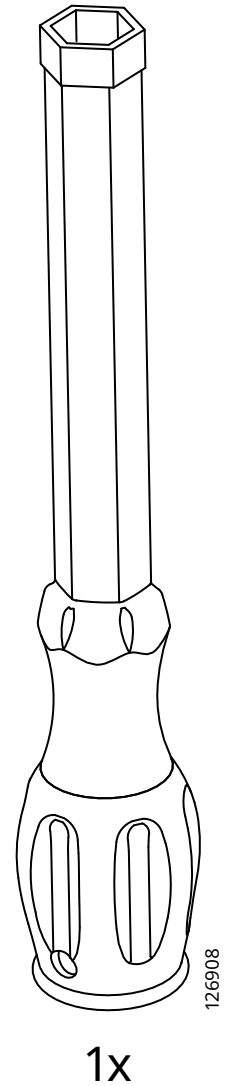
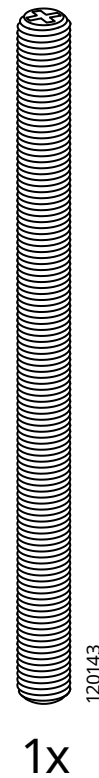
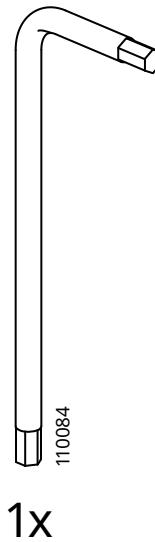
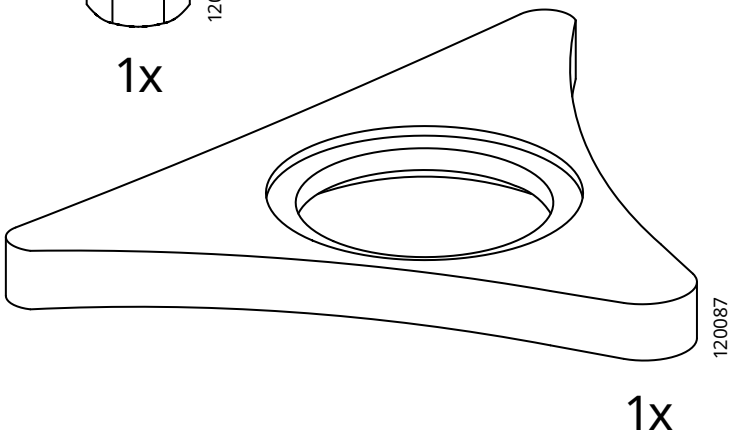
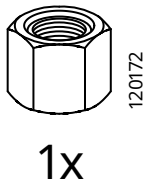
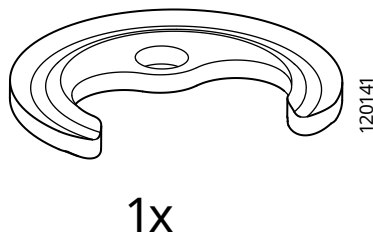
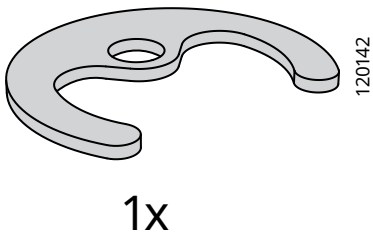
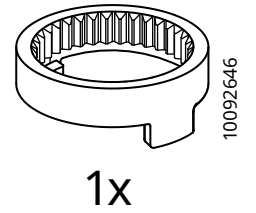


**i**

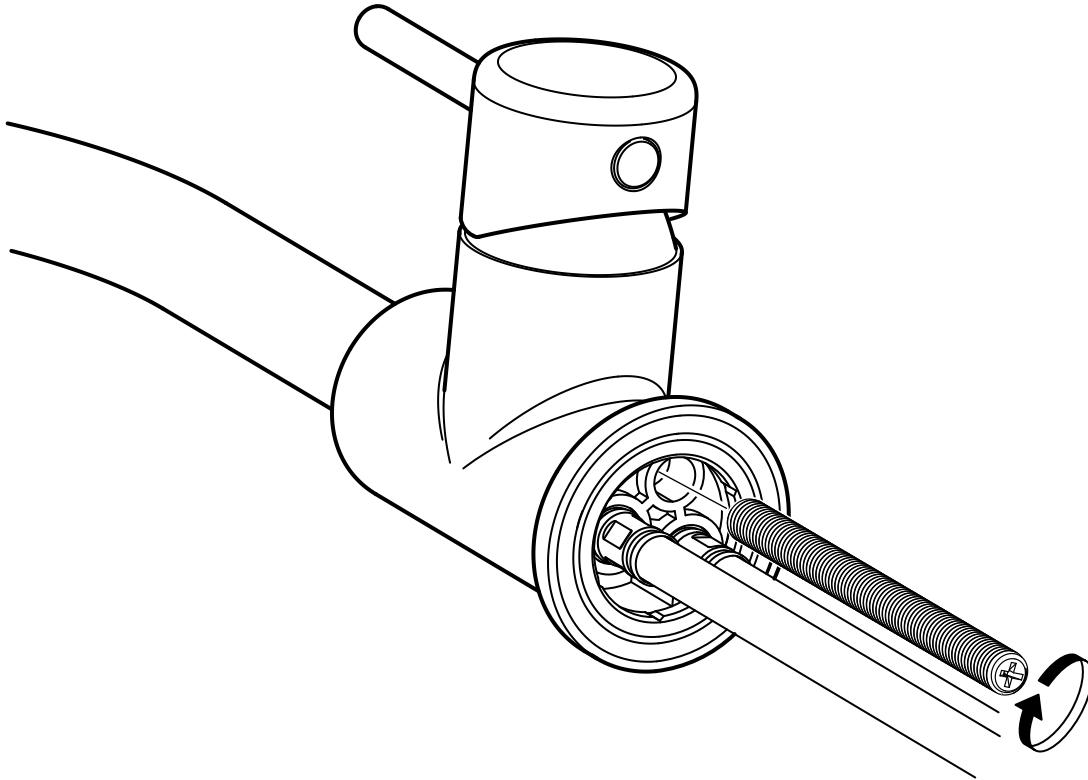


Max. 60°C ☺  
Max. 80°C

0,5 - 5 bar ☺  
0,2 - 10 bar

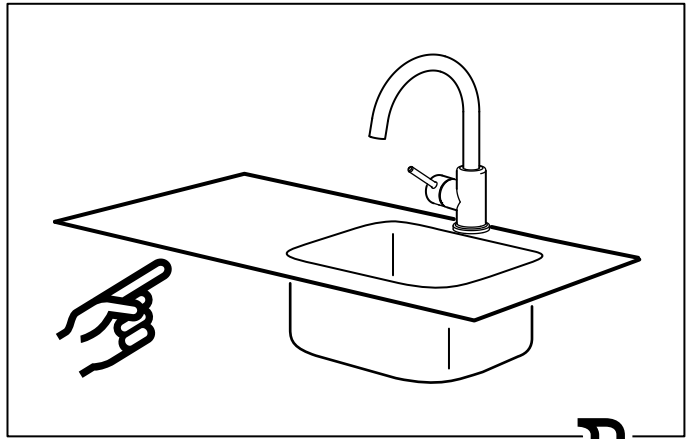
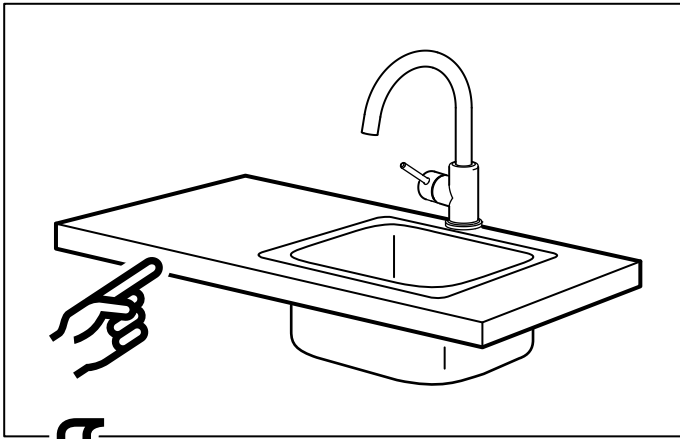


# 1



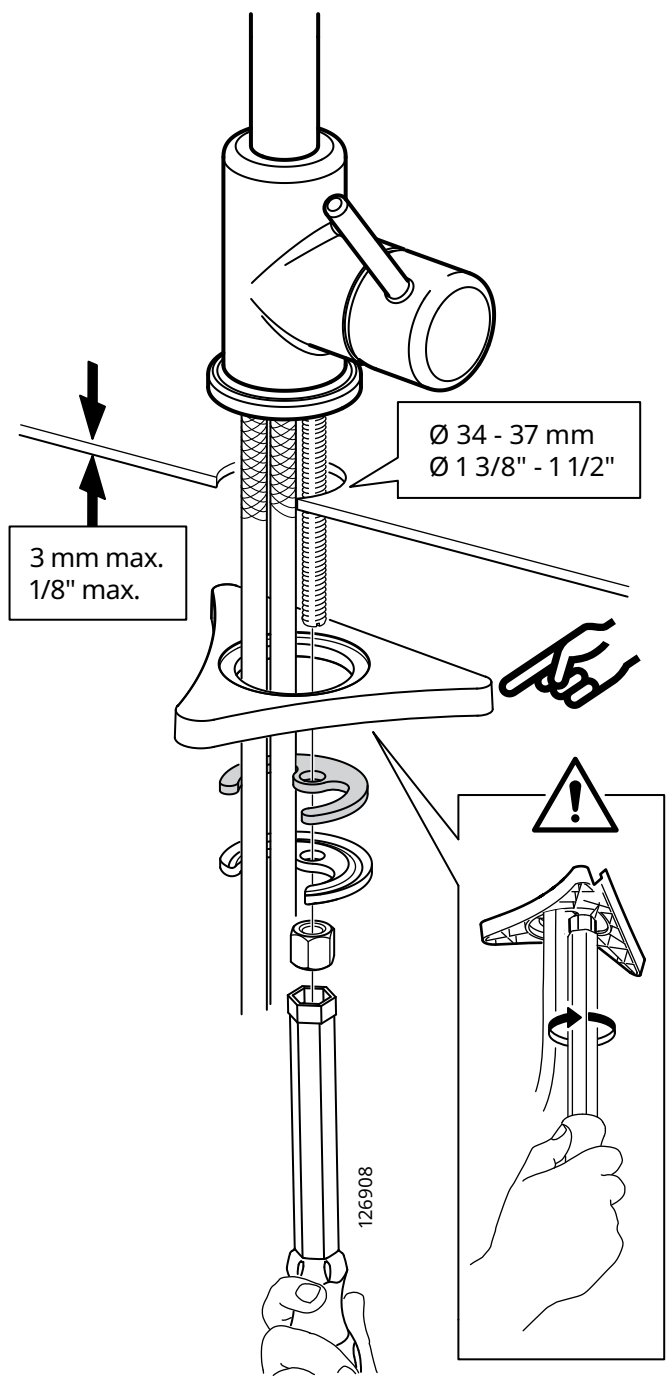
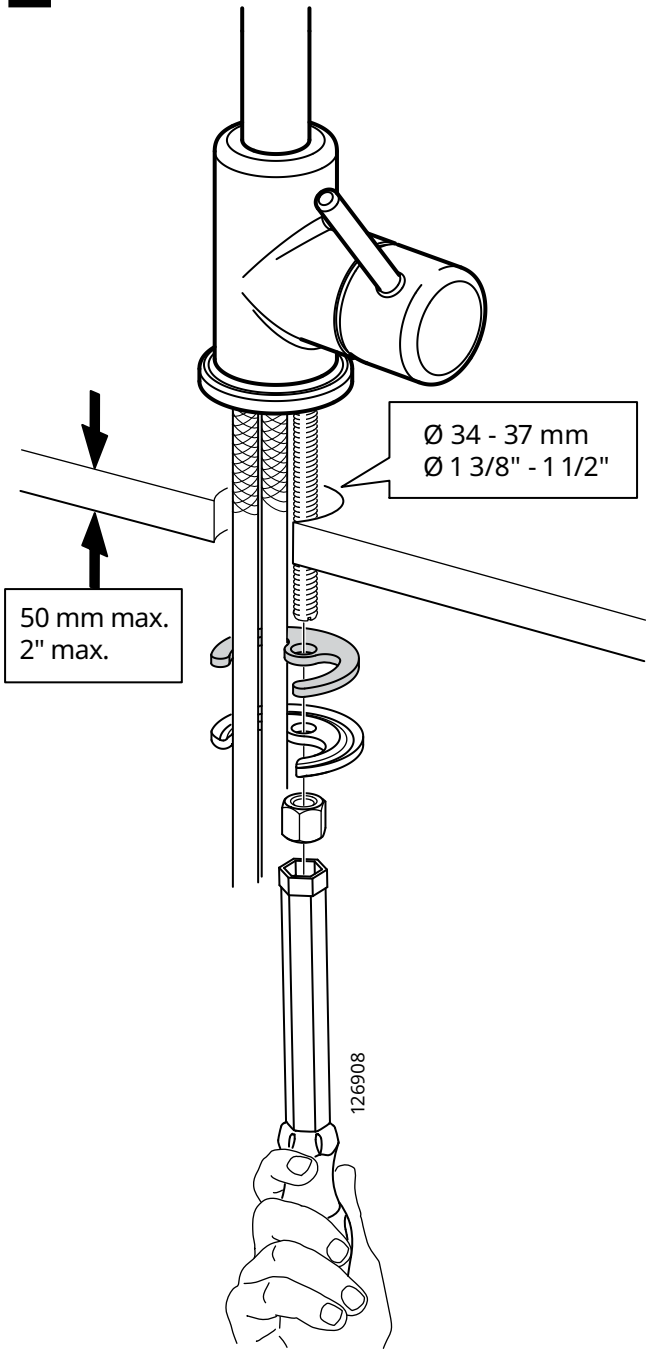
**English**

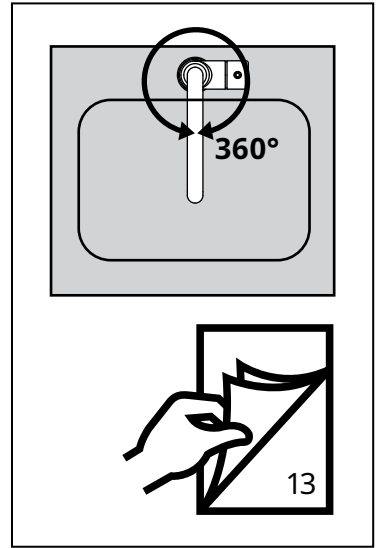
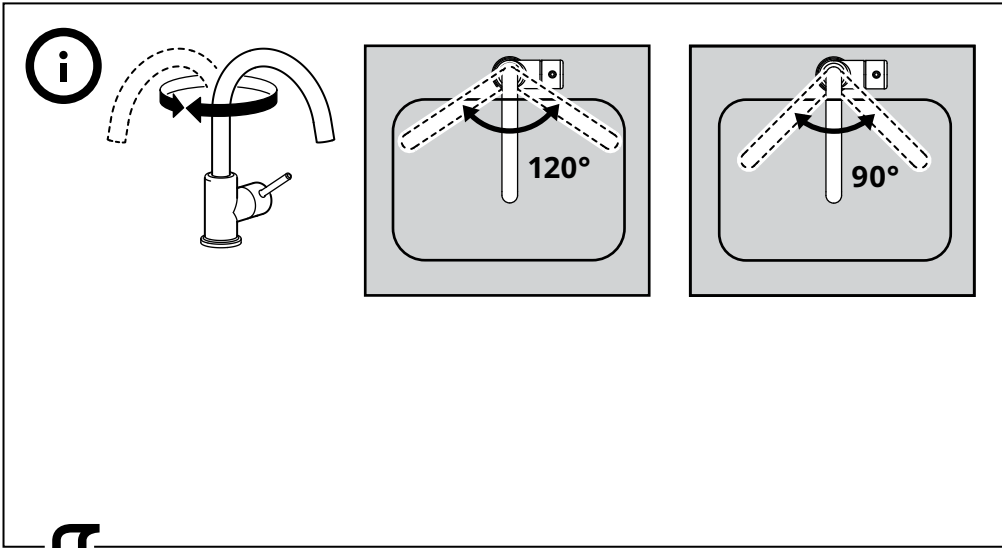
Seal the open surfaces with silicone to prevent water from penetrating the worktop upon any leaks. Silicone is not included.



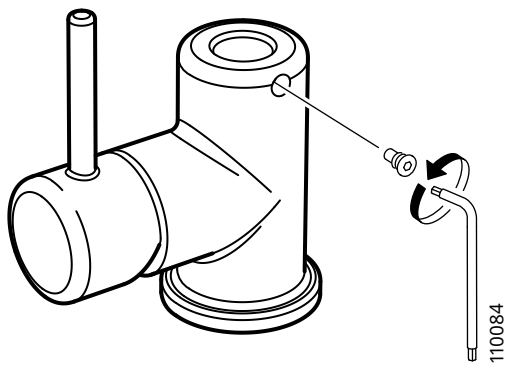
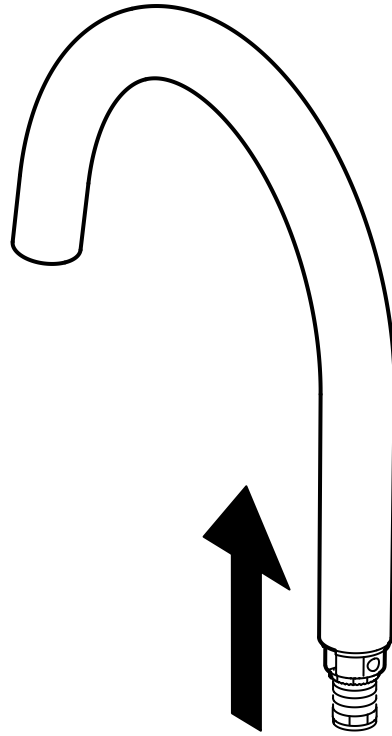
2

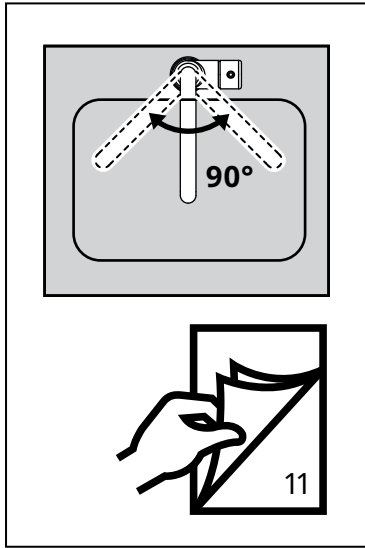
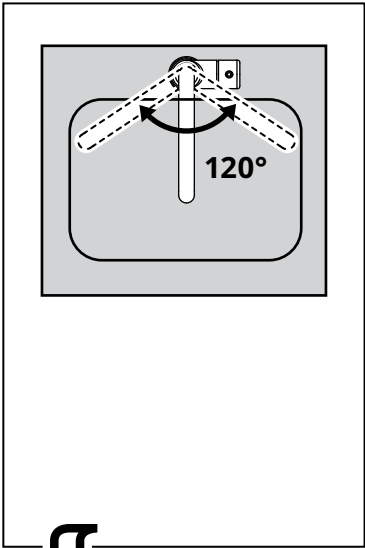
2



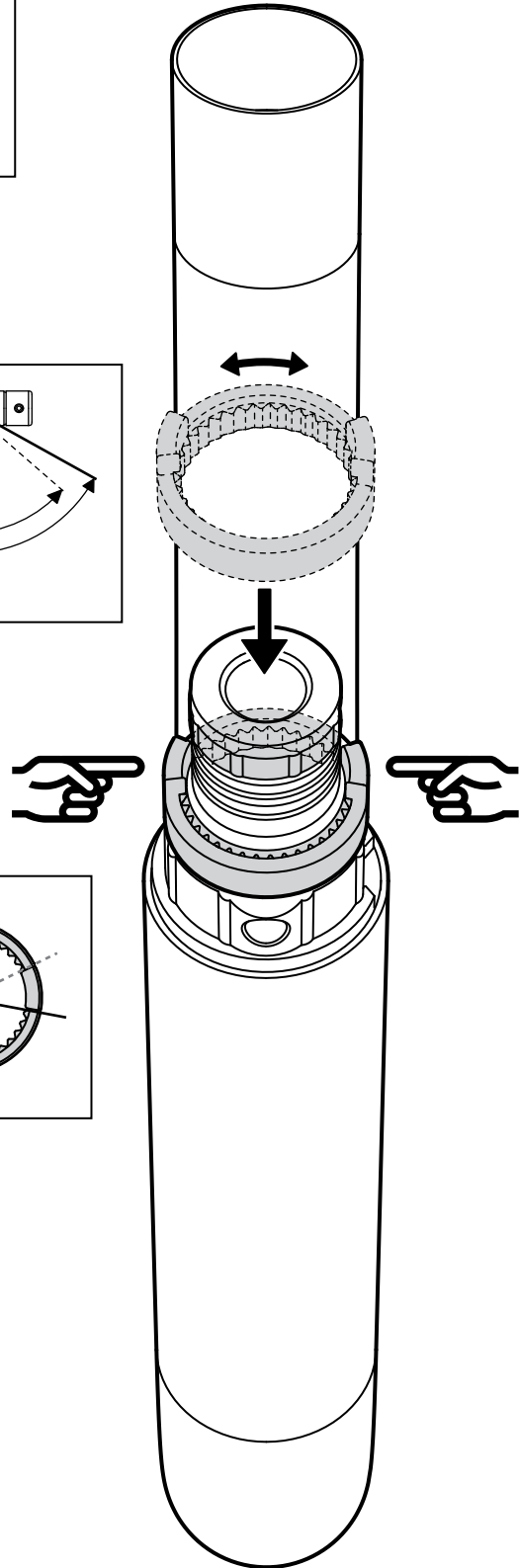
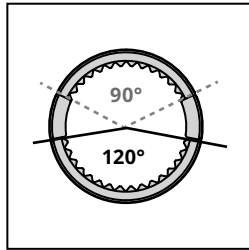
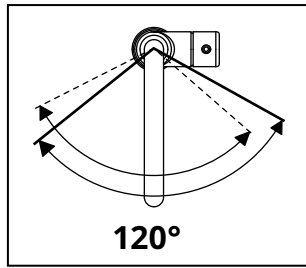
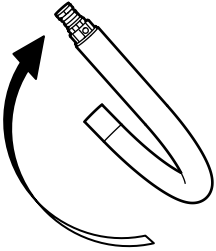


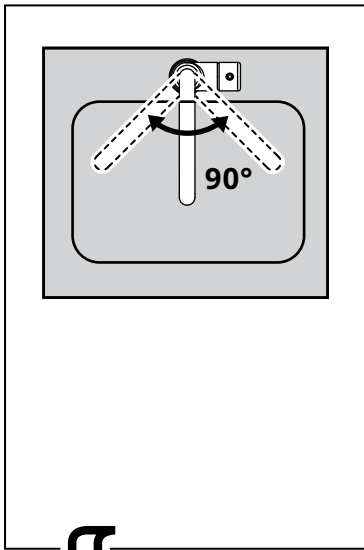
↕  
3



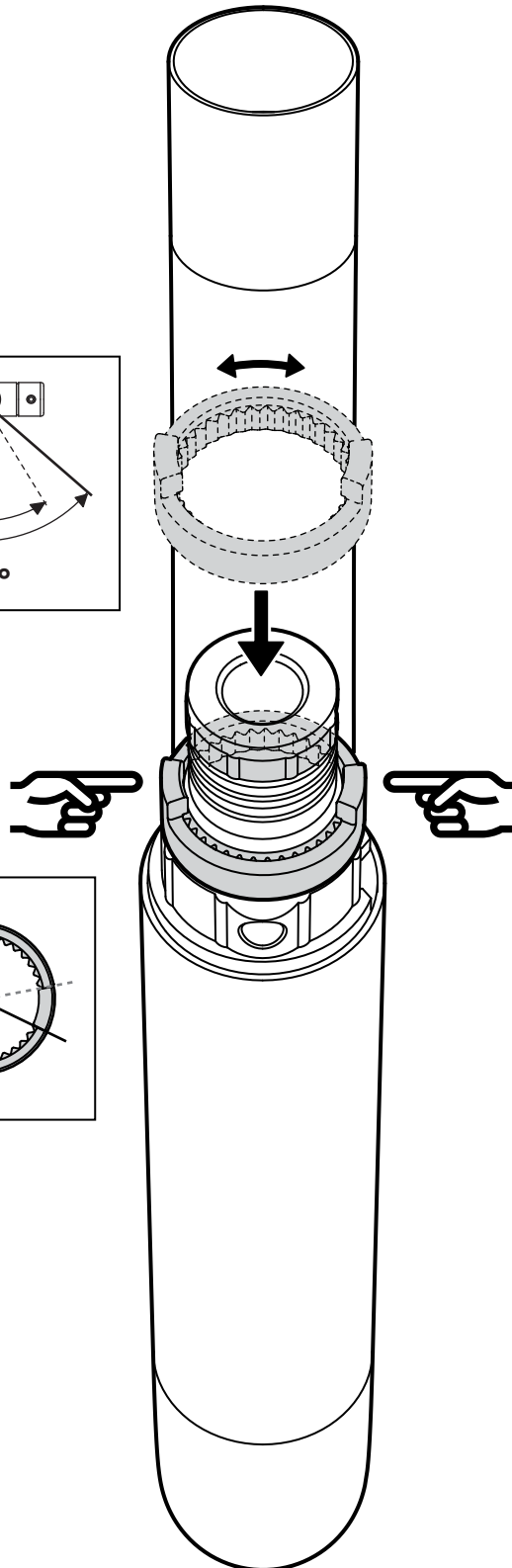
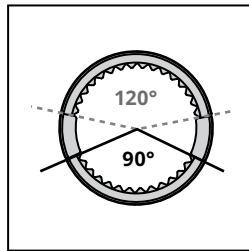
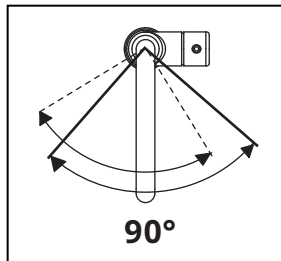
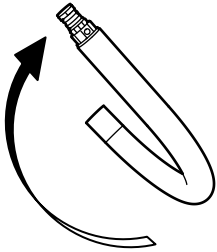


4



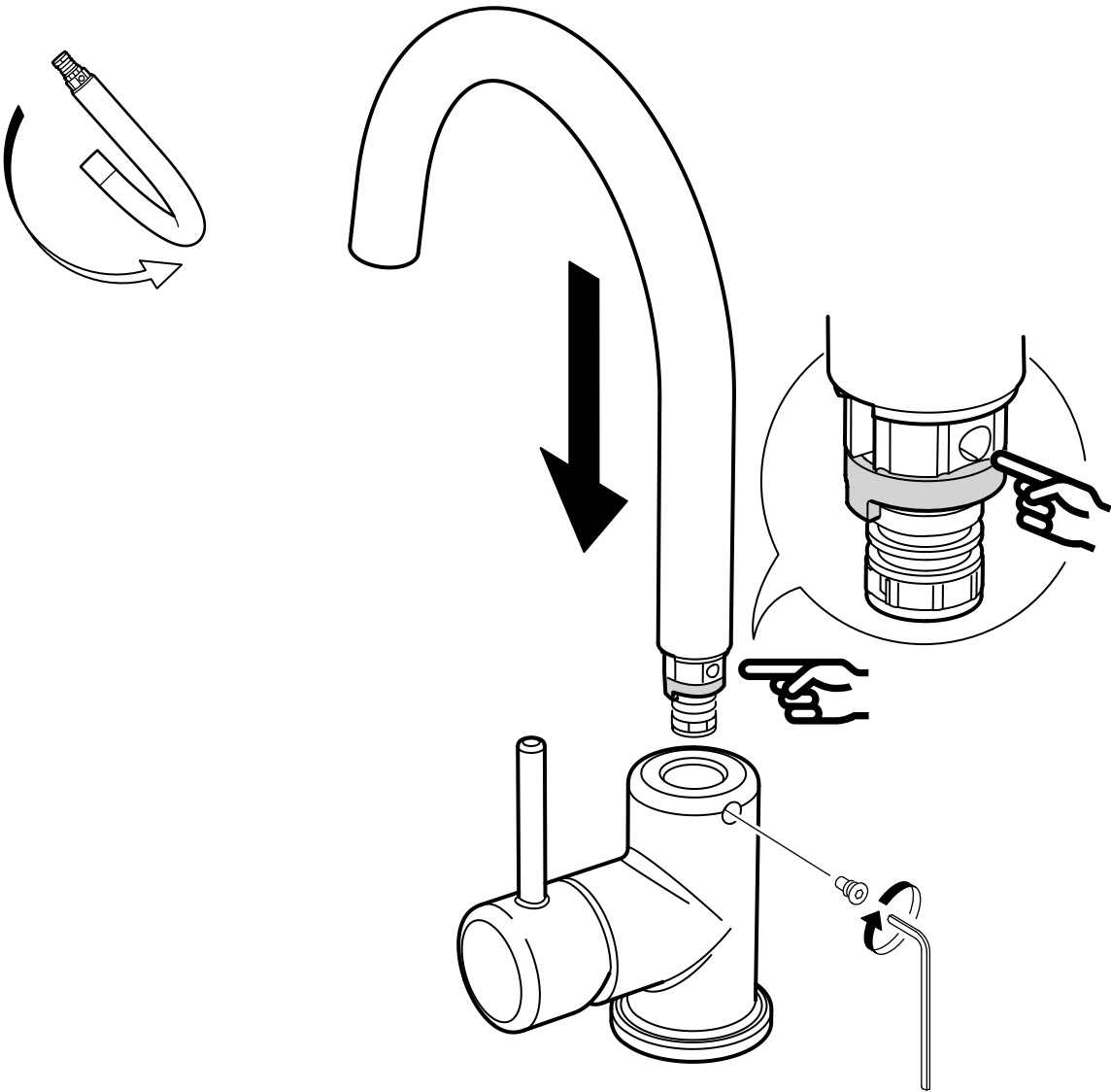


4

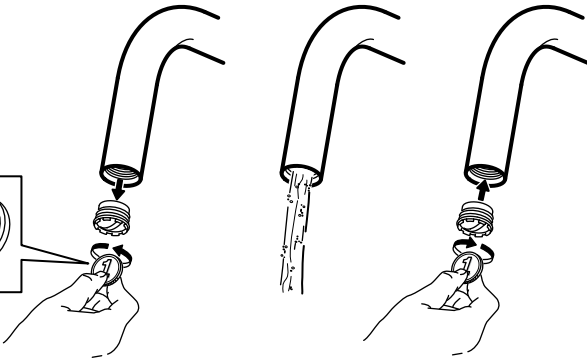
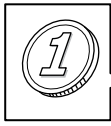




5



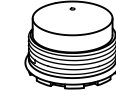




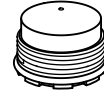
10004080  
Pre-fitted  
Low pressure



124607  
High pressure



124607  
Pre-fitted  
High pressure



139268  
Low pressure

### English

Before use: Unscrew the Aerator/Flow Guide with a coin and allow the water to run freely for a few minutes. Then screw the Aerator/Flow Guide back in place up to the stop DO NOT OVER TIGHTEN.



### English

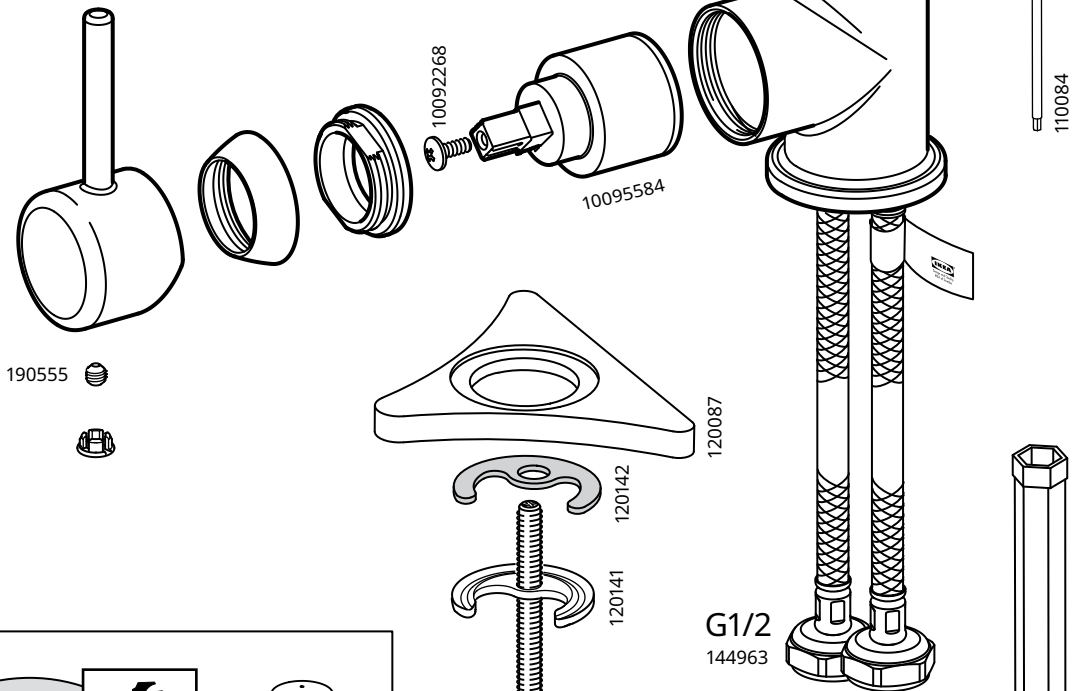
Check at regular intervals to make sure that the installation is not leaking.



10004080  
Pre-fitted  
Low pressure

124607  
High pressure

10092646  
120° / 90°



124607  
Pre-fitted  
High pressure

139268  
Low pressure