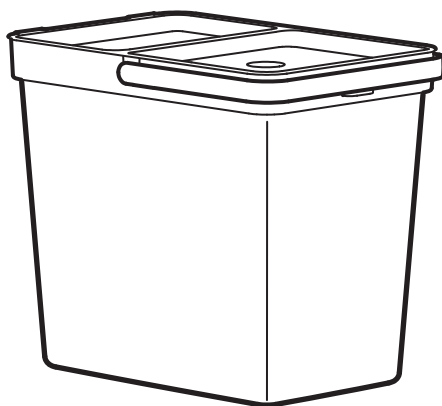
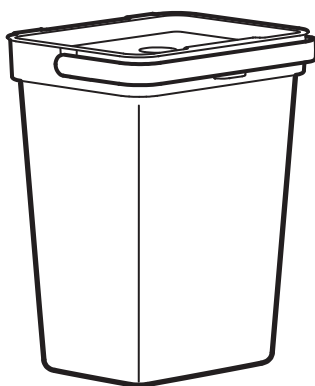
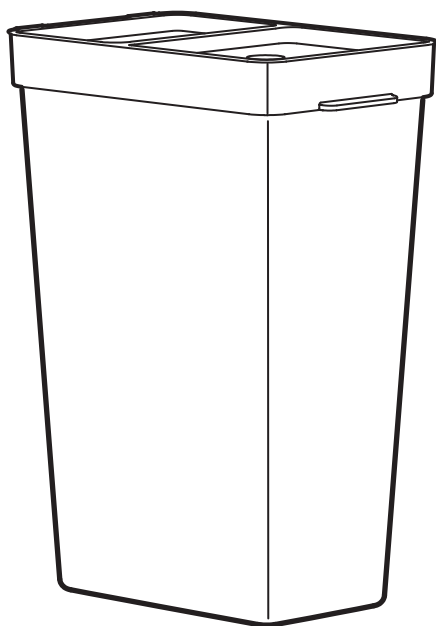
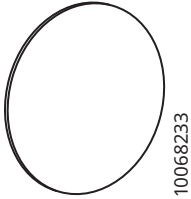
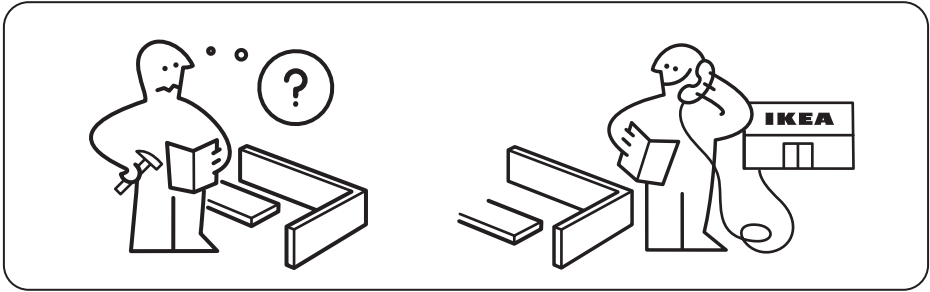


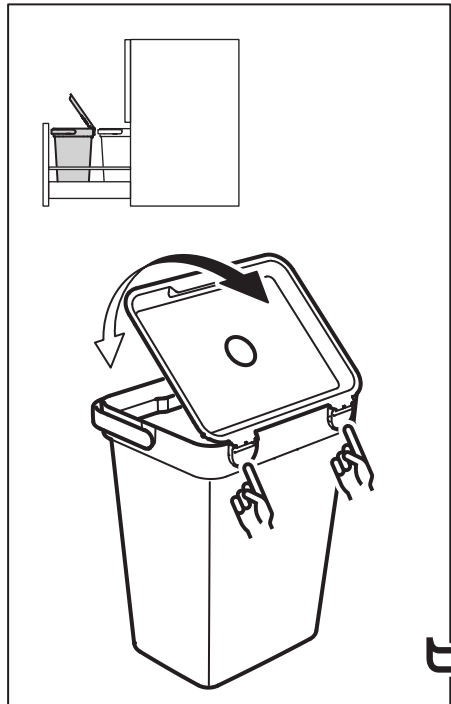
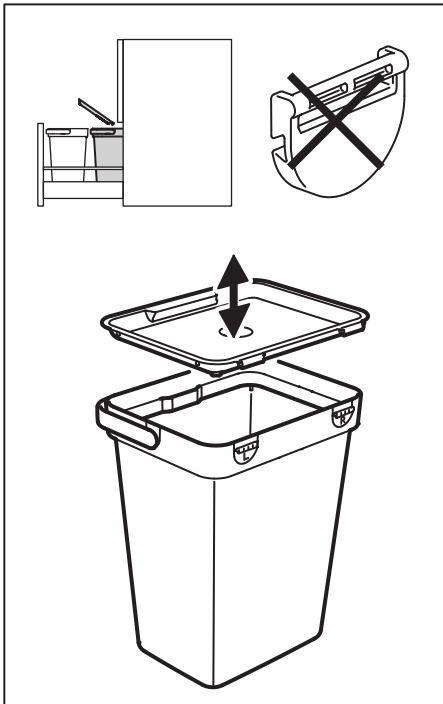
# HÅLLBAR



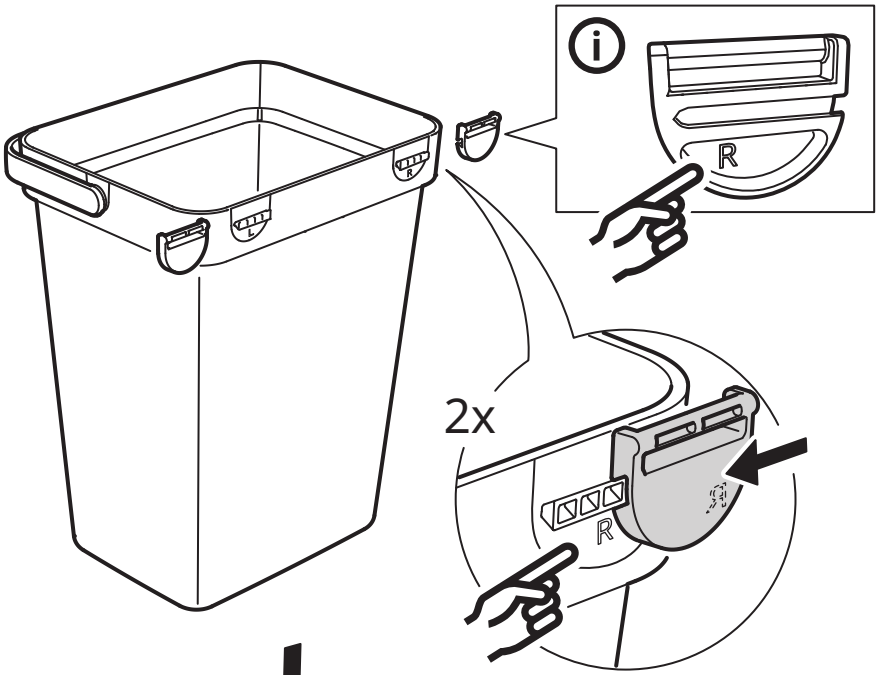
Design and Quality  
IKEA of Sweden



1x



1



2

