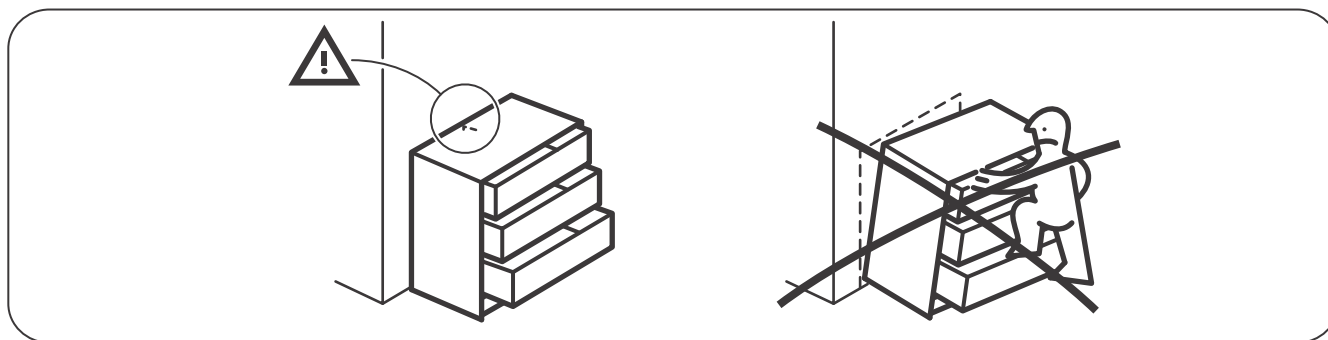
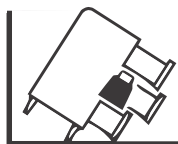
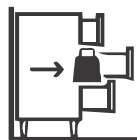


HEMNES



Design and Quality
IKEA of Sweden



ENGLISH

WARNING!

Children have died from furniture tipover.

To reduce the risk of furniture tipover:

- ALWAYS install tipover restraint provided.
- NEVER put a TV on this product.
- NEVER allow children to stand, climb or hang on drawers, doors, or shelves.
- NEVER open more than one drawer at a time.
- Place heaviest items in the lowest drawers.

FRANÇAIS

ATTENTION!

Enfants morts suite au basculement d'un meuble.

Afin de limiter le risque de basculement de meuble :

- TOUJOURS utiliser les fixations anti-basculement fournies.
- NE JAMAIS installer de TV sur ce produit.
- NE JAMAIS laisser d'enfants se tenir debout sur les tiroirs, portes ou étagères, y grimper ou s'y suspendre.
- NE JAMAIS ouvrir plus d'un tiroir à la fois.
- Placer les choses les plus lourdes dans les tiroirs du bas.

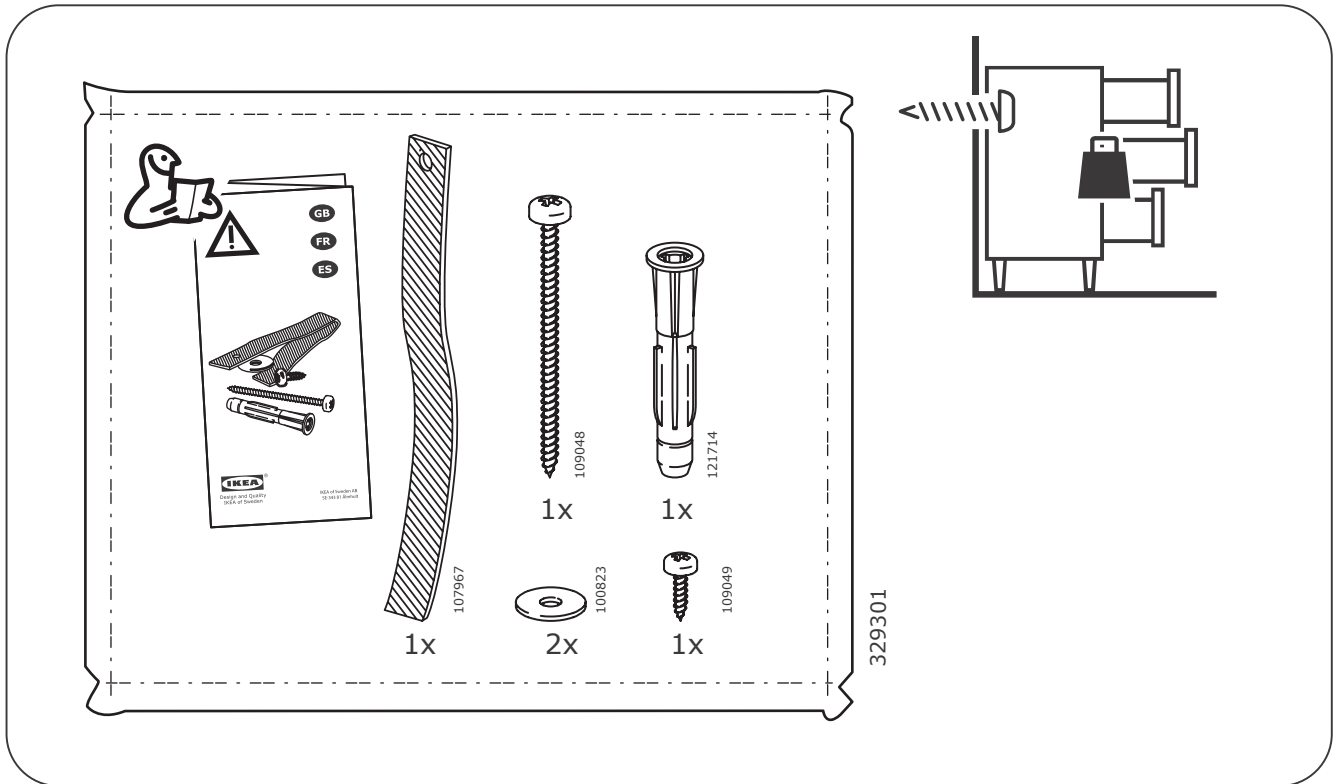
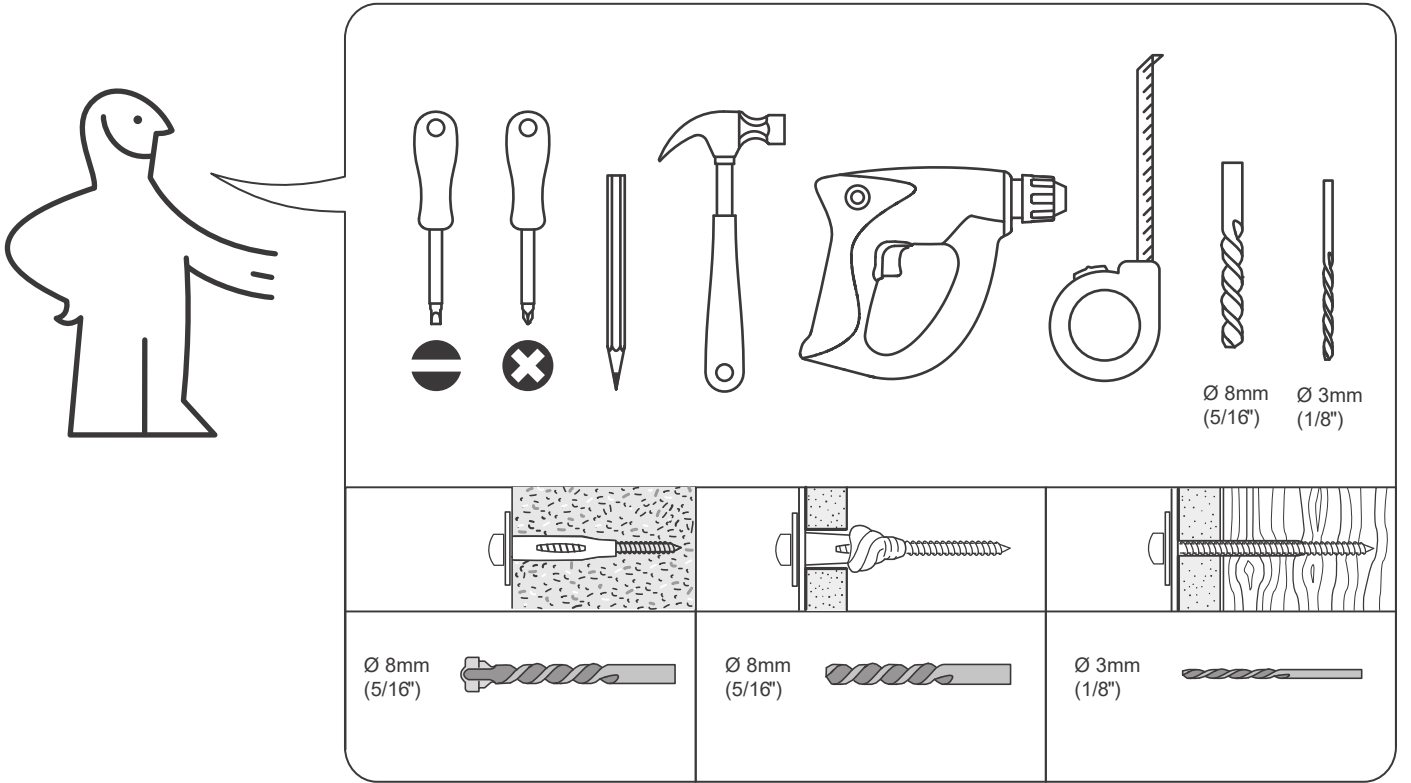
ESPAÑOL

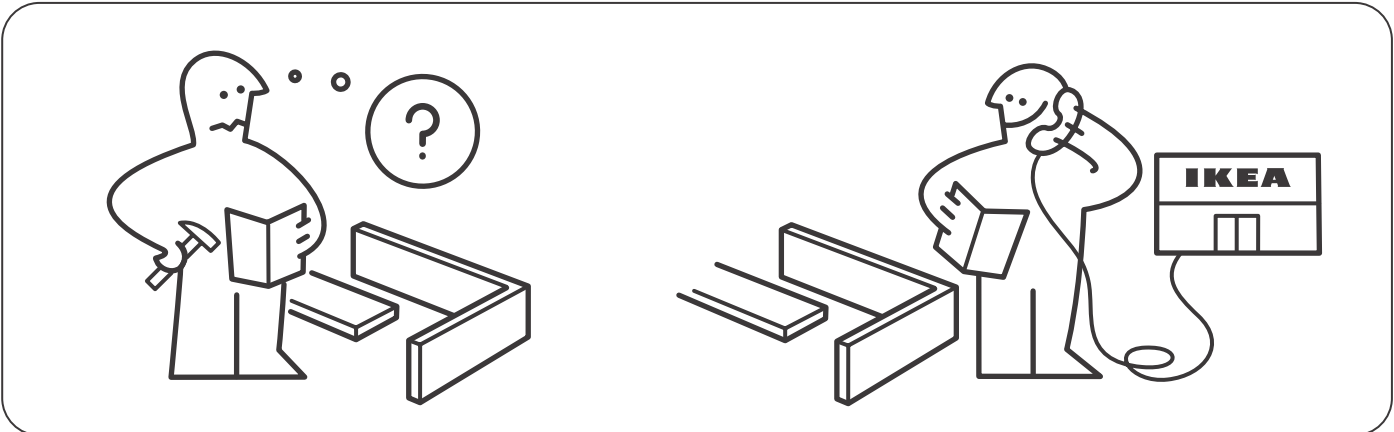
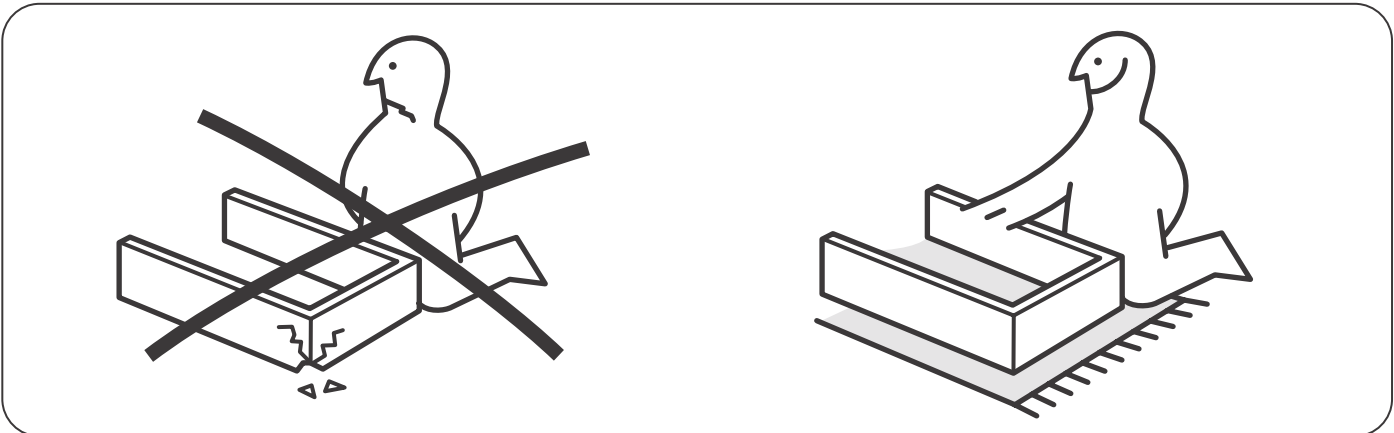
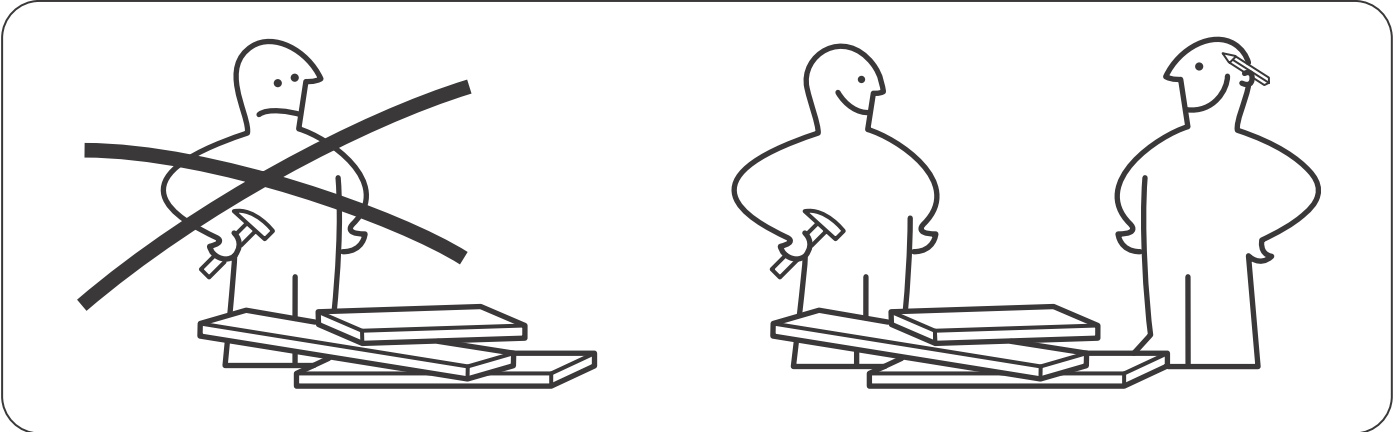
¡ADVERTENCIA!

Han muerto niños por el vuelco de muebles.

Para limitar el riesgo de vuelco de los muebles:

- Utilizar SIEMPRE las fijaciones antivuelco que se suministran.
- NUNCA instalar un TV sobre este producto.
- NUNCA permitir que los niños se pongan de pie, trepen o se cuelguen de los cajones, puertas o baldas.
- NUNCA abrir más de un cajón a la vez.
- Colocar los objetos más pesados en los cajones inferiores.







12x

100365



5x

100481



24x

101350



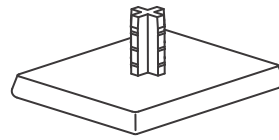
24x

118331



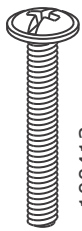
29x

112399



4x

191064
191065



3x

100413



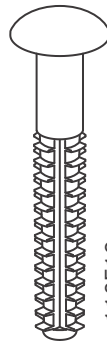
10x

101345



18x

109534



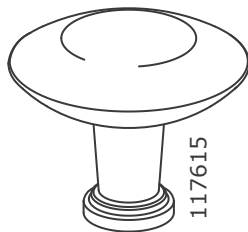
12x

110519



12x

112399



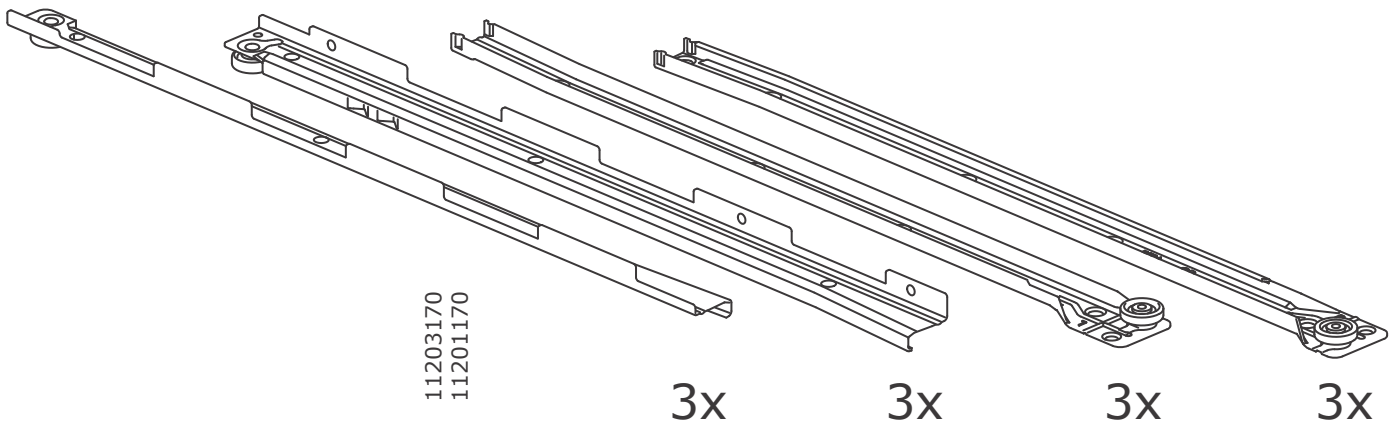
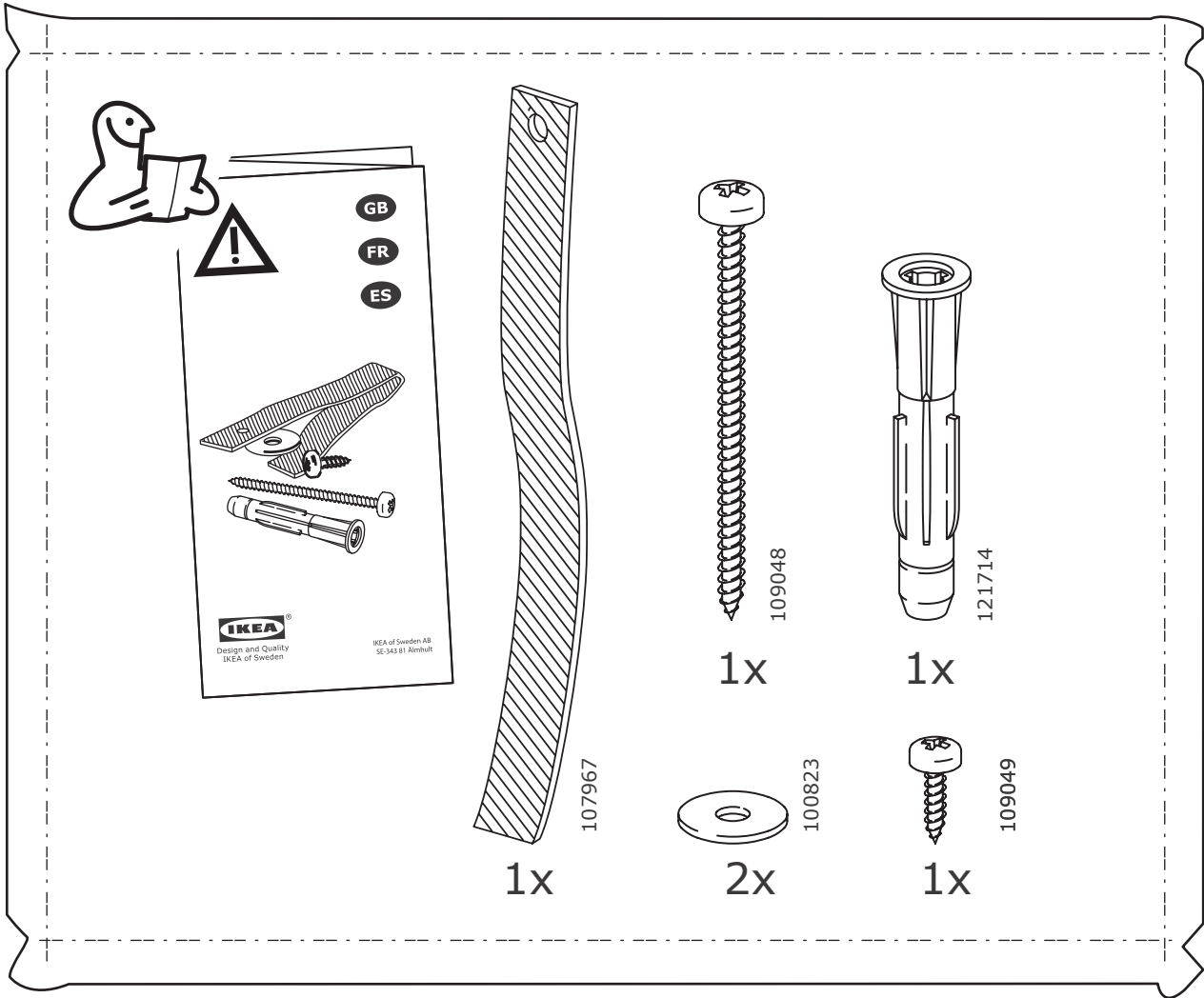
3x

117615

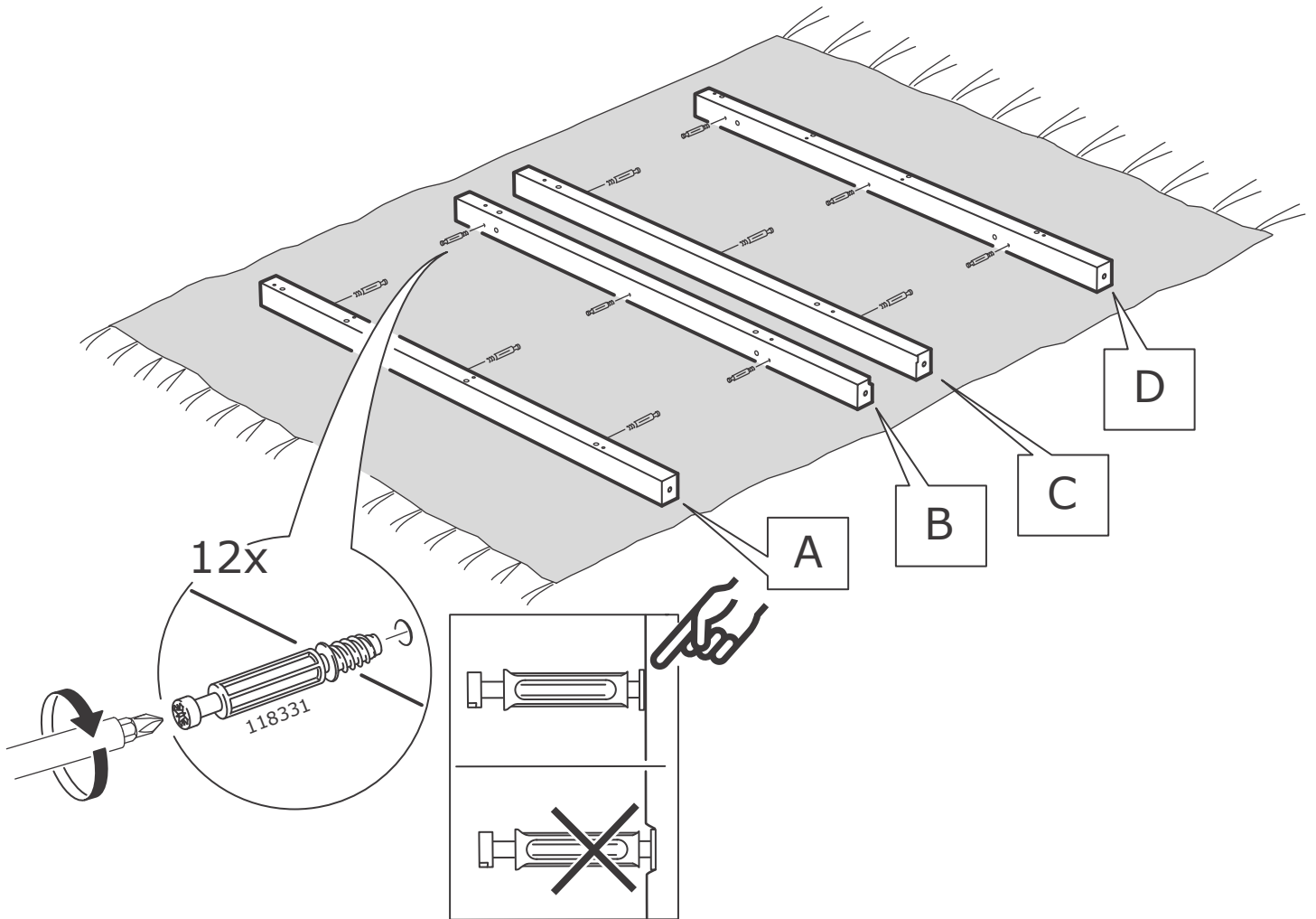
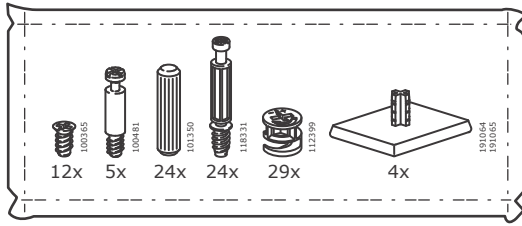


12x

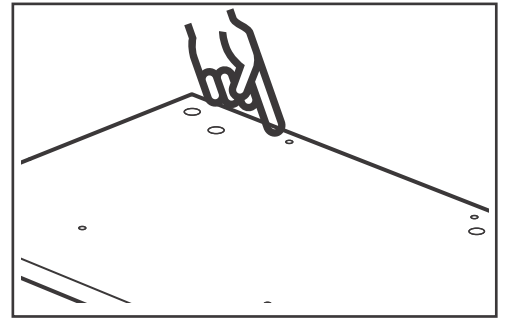
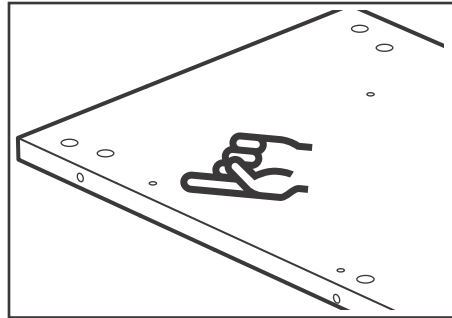
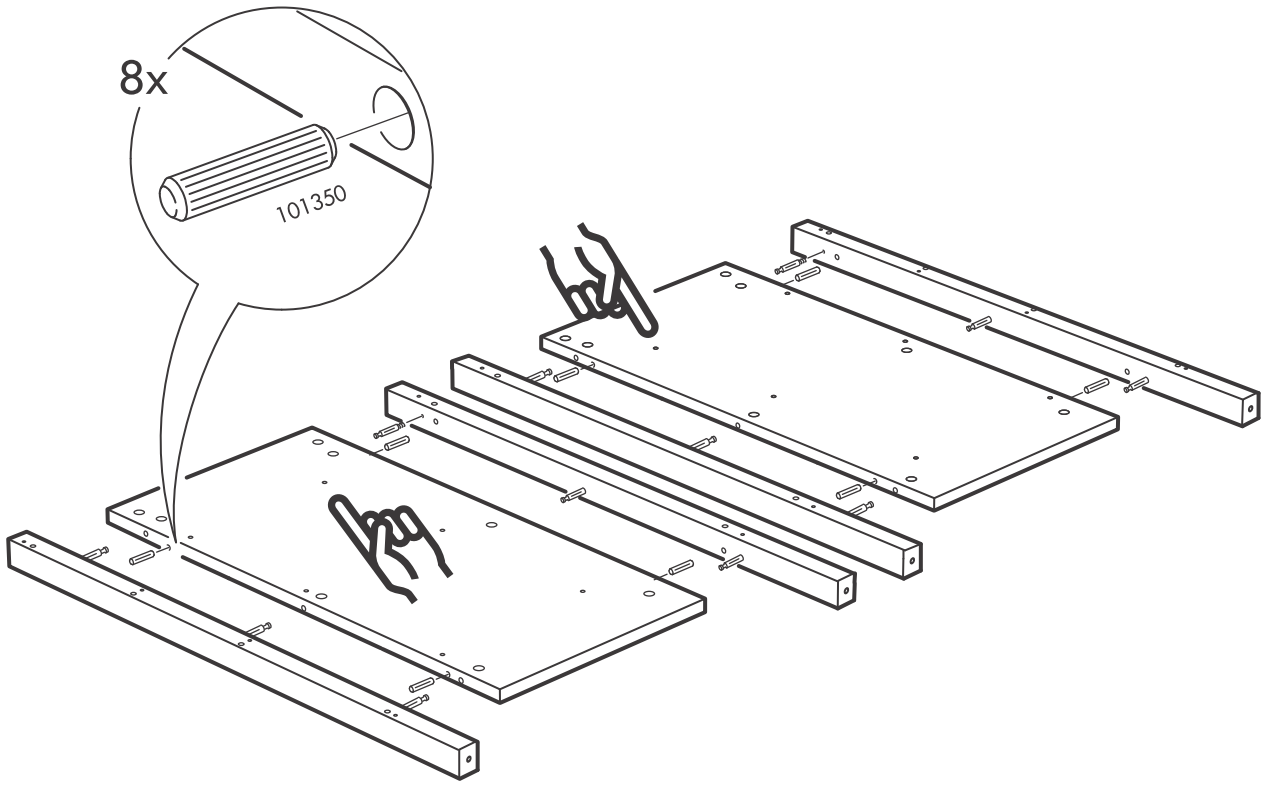
123492



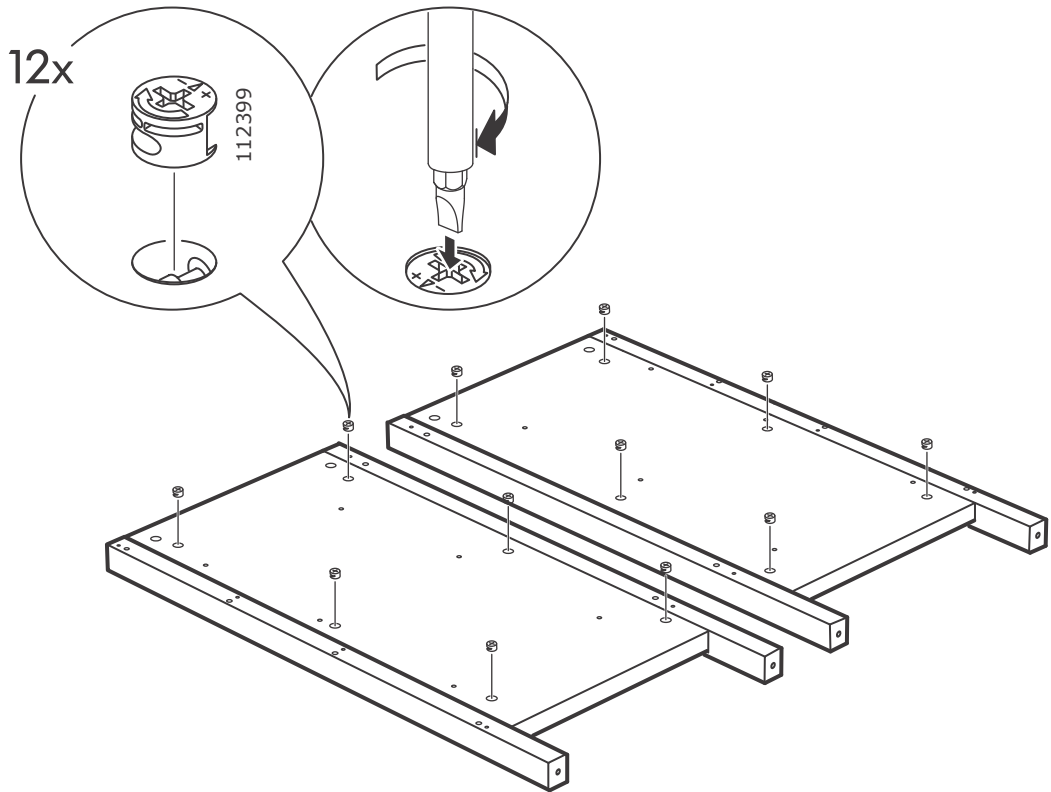
1



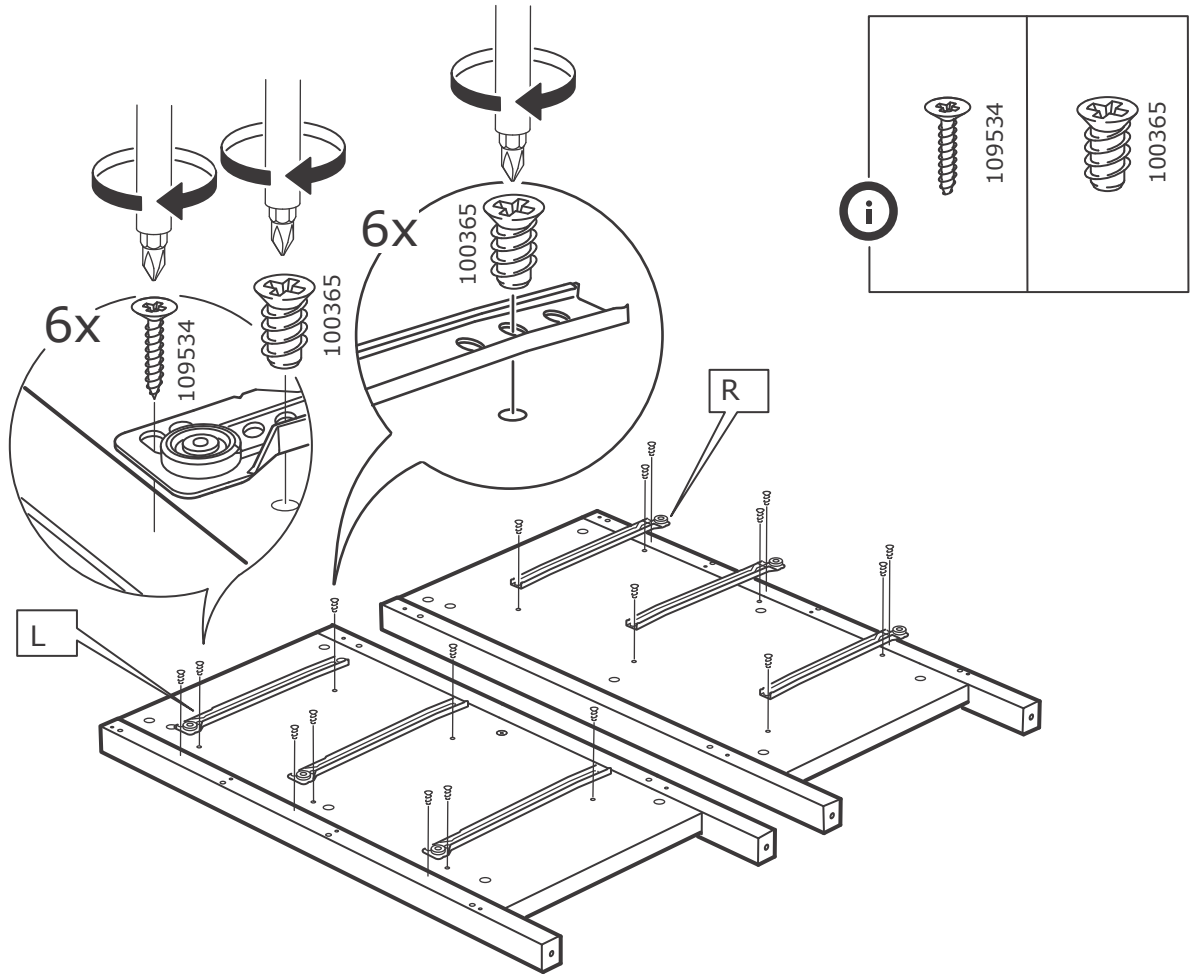
2



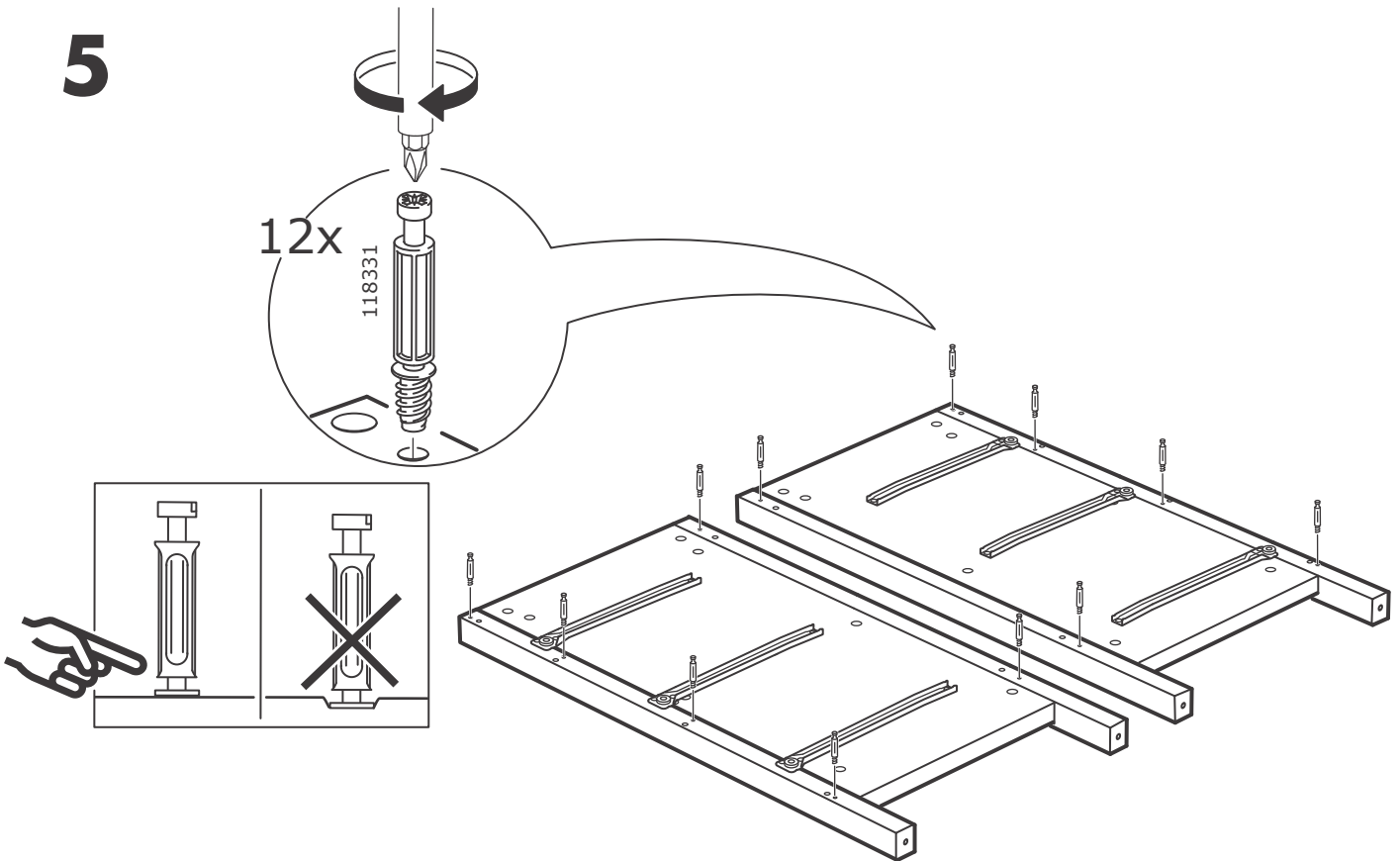
3



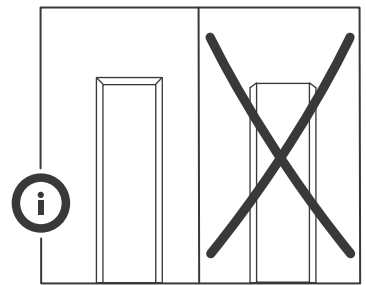
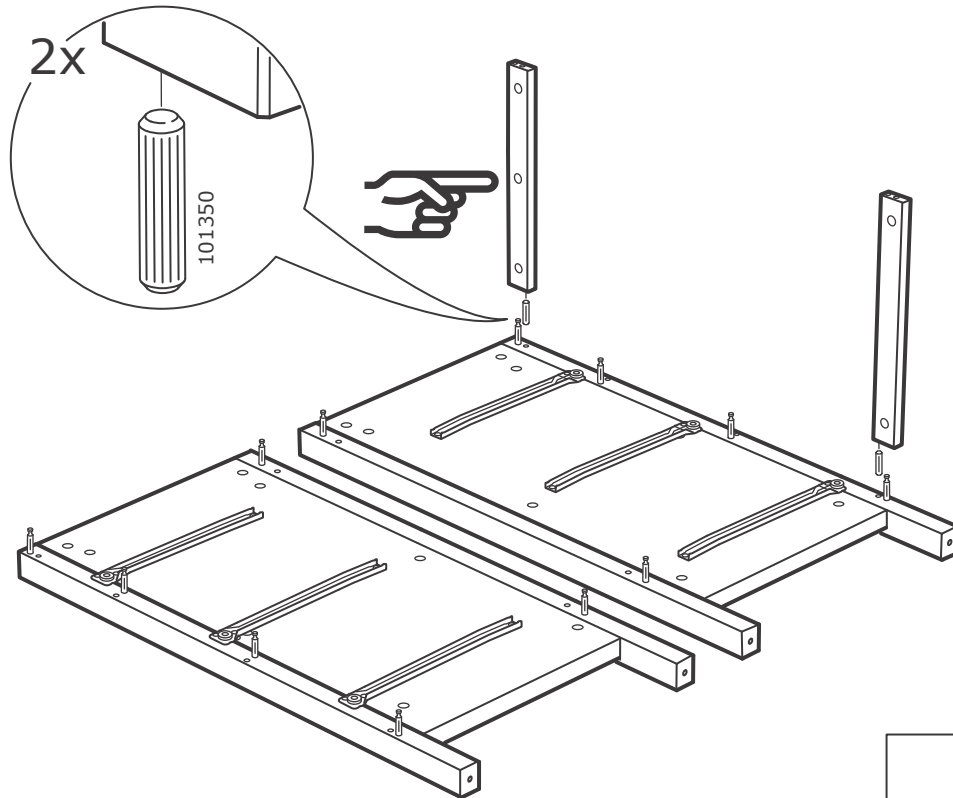
4



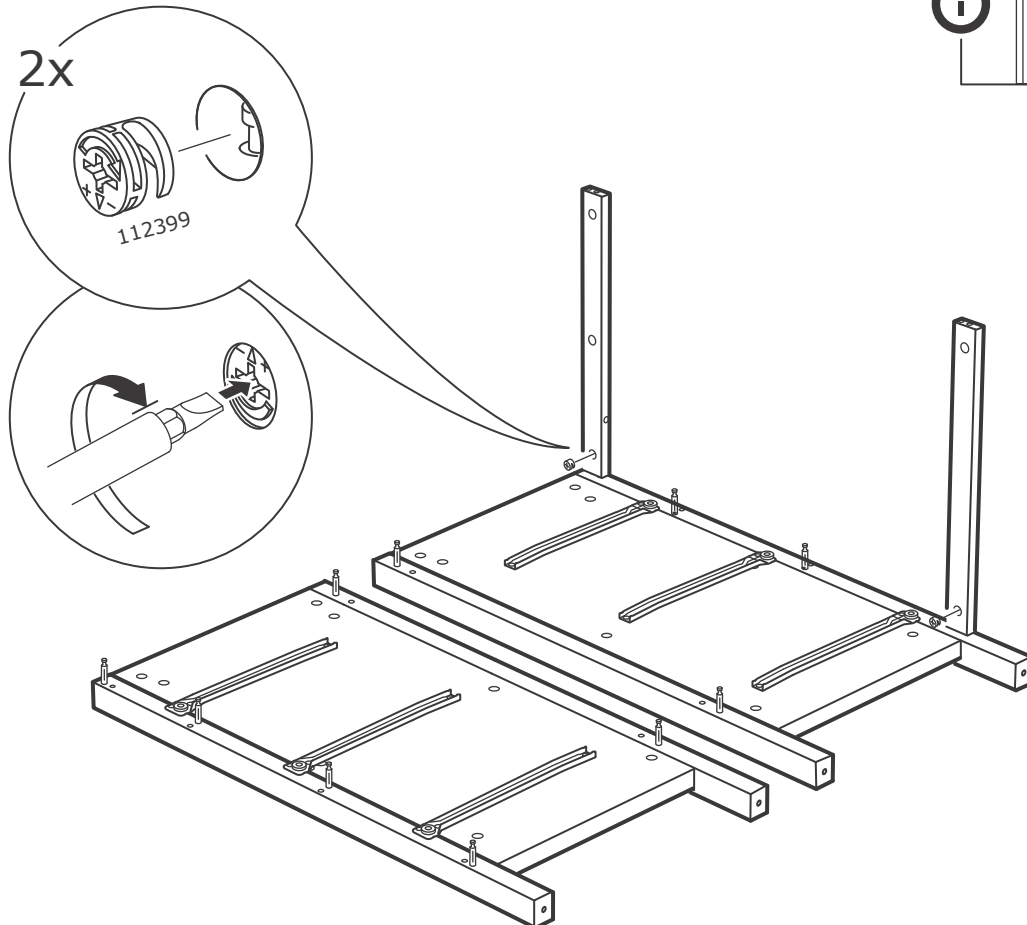
5



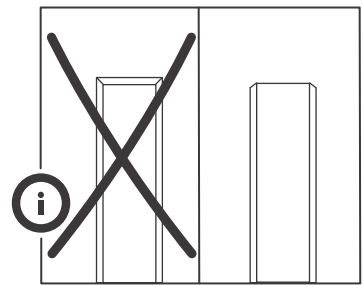
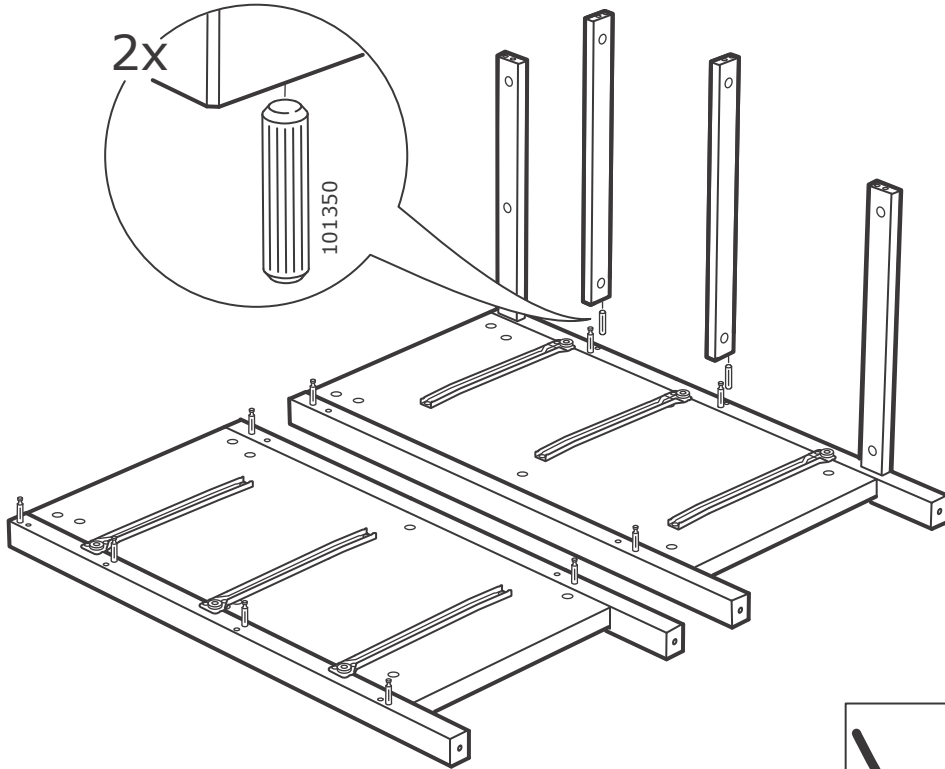
6



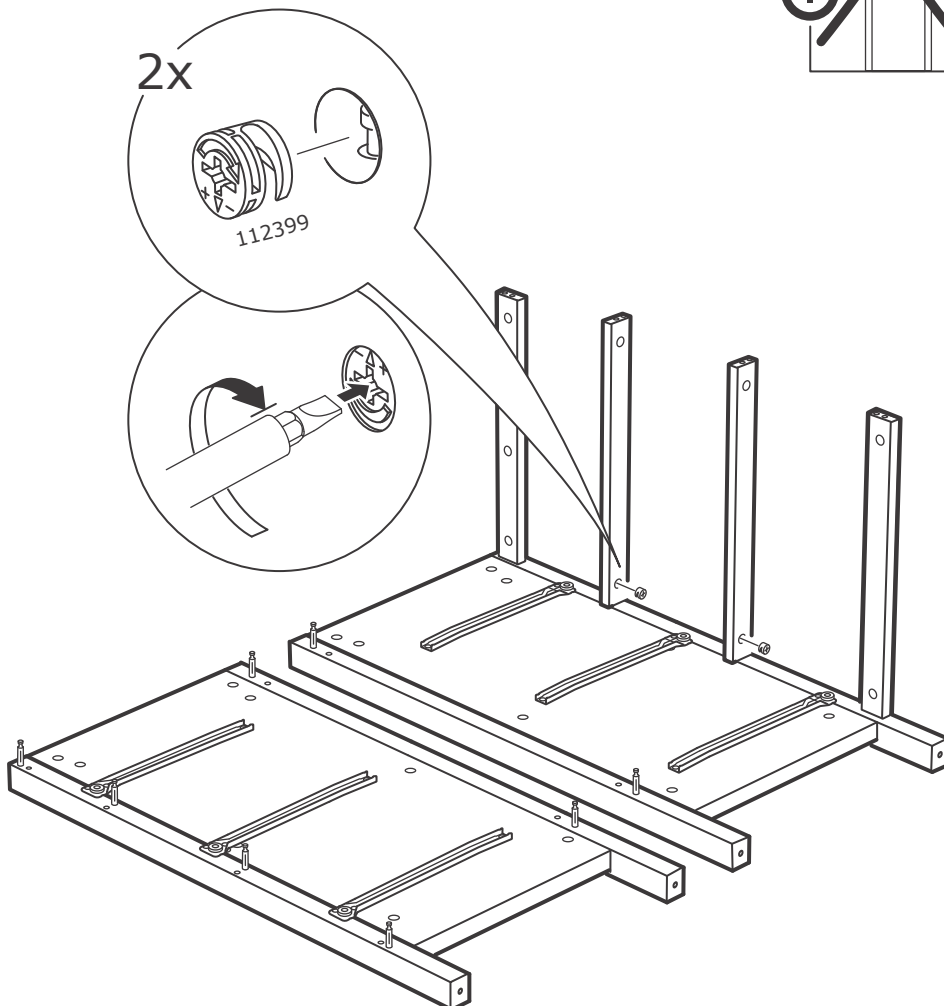
7



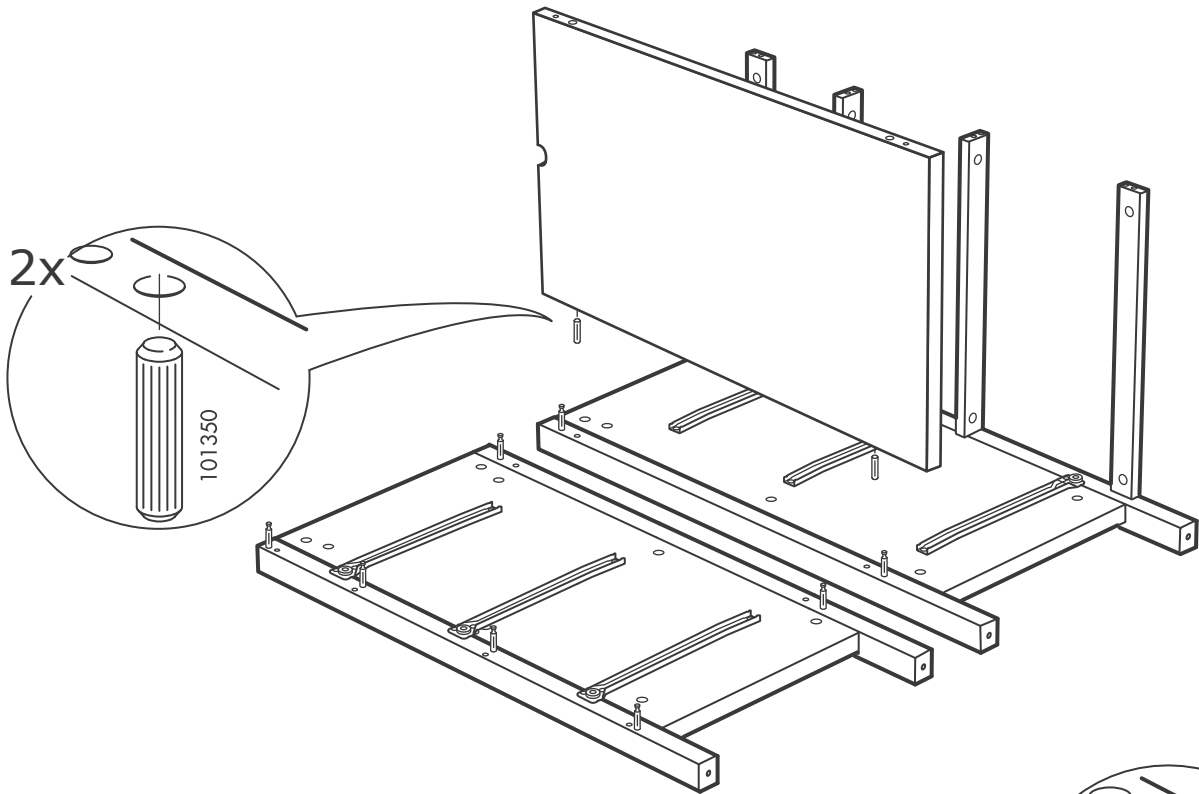
8



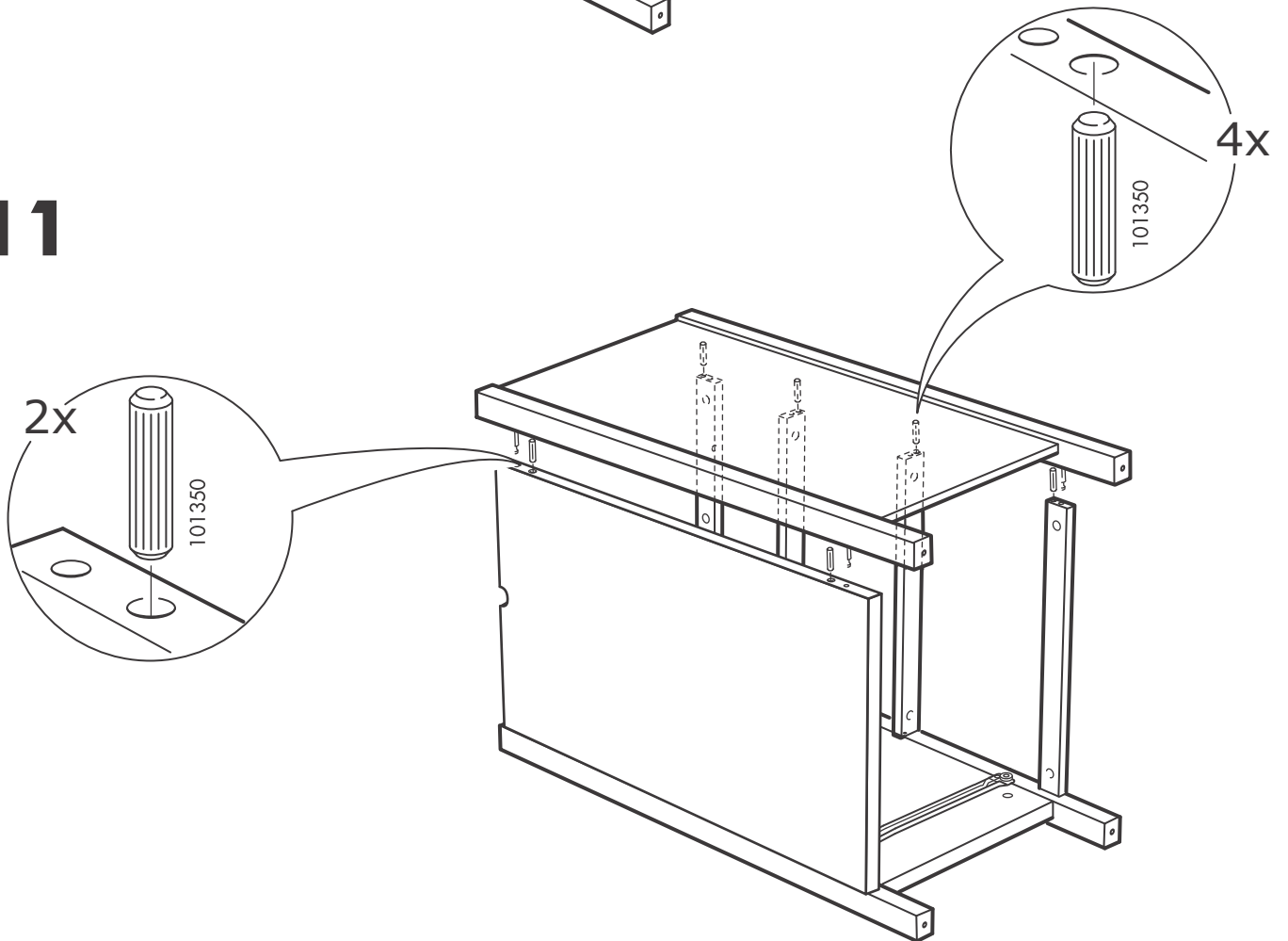
9



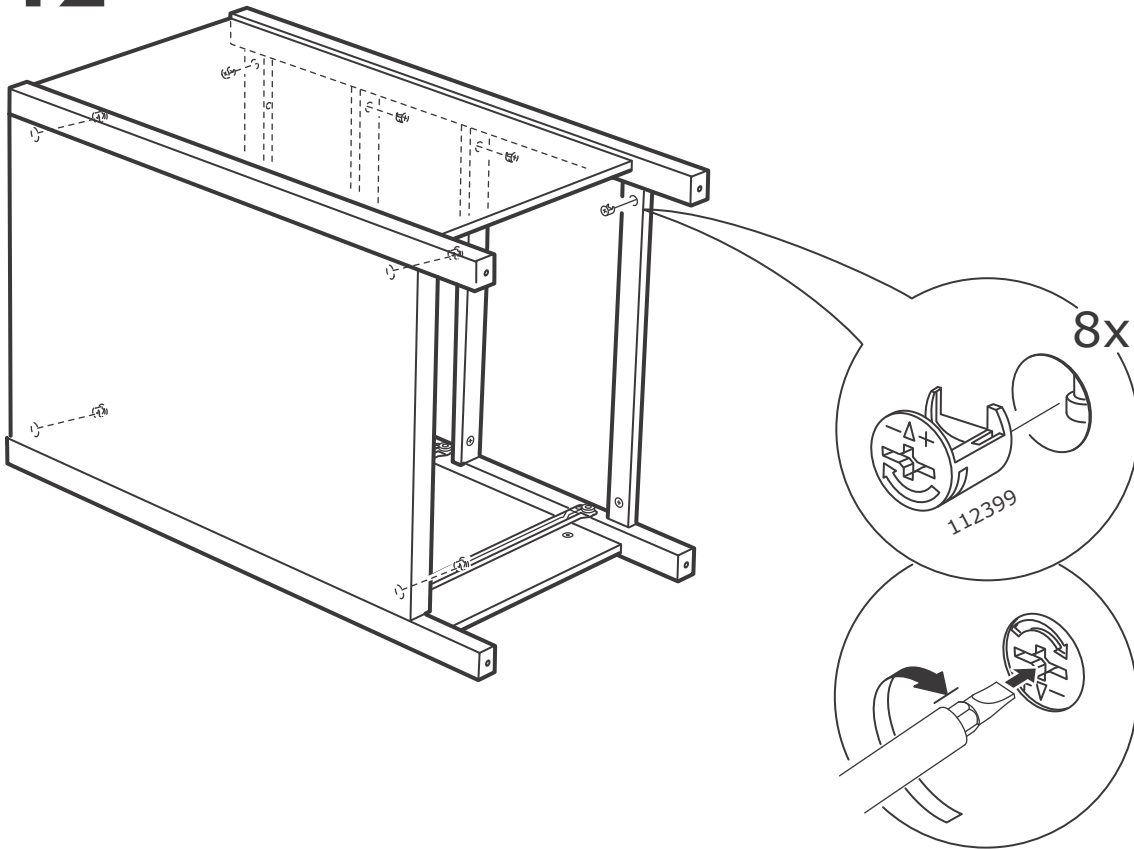
10



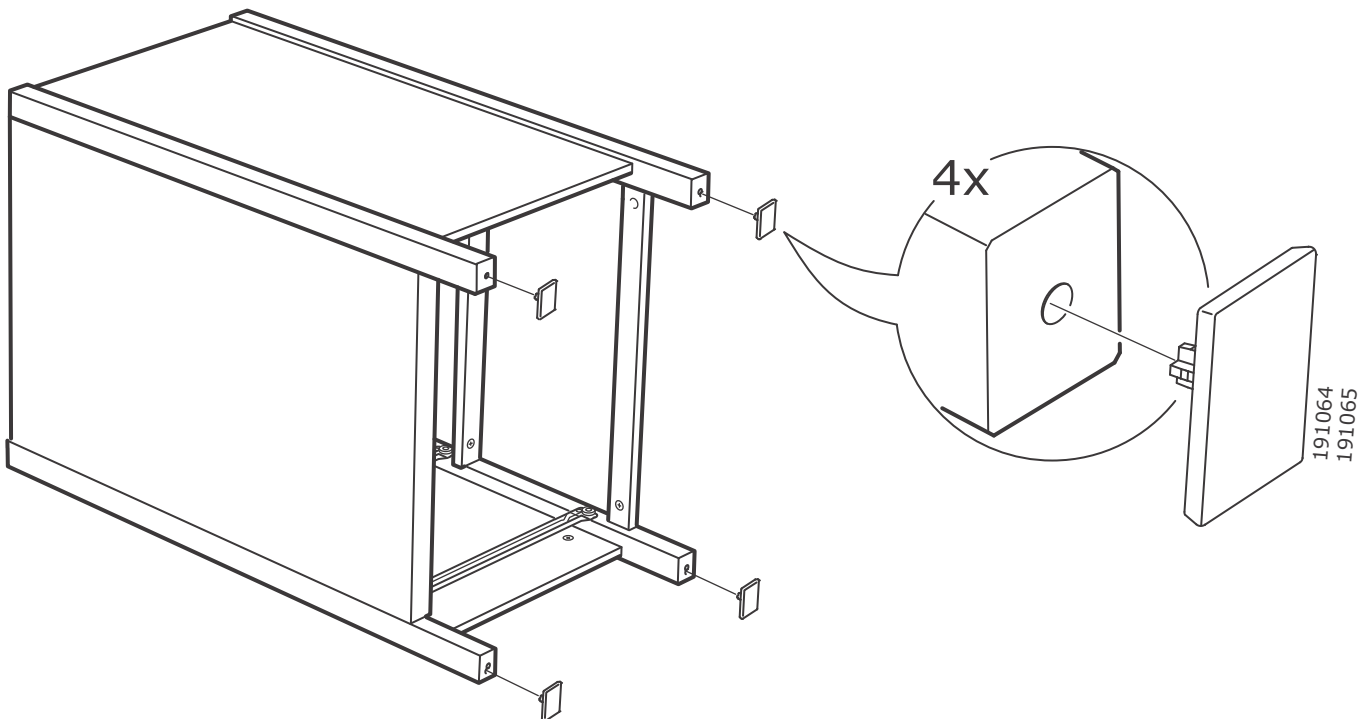
11



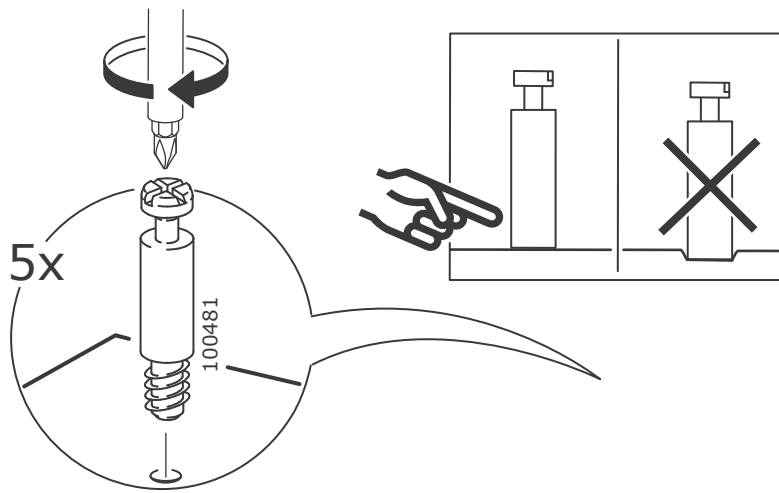
12



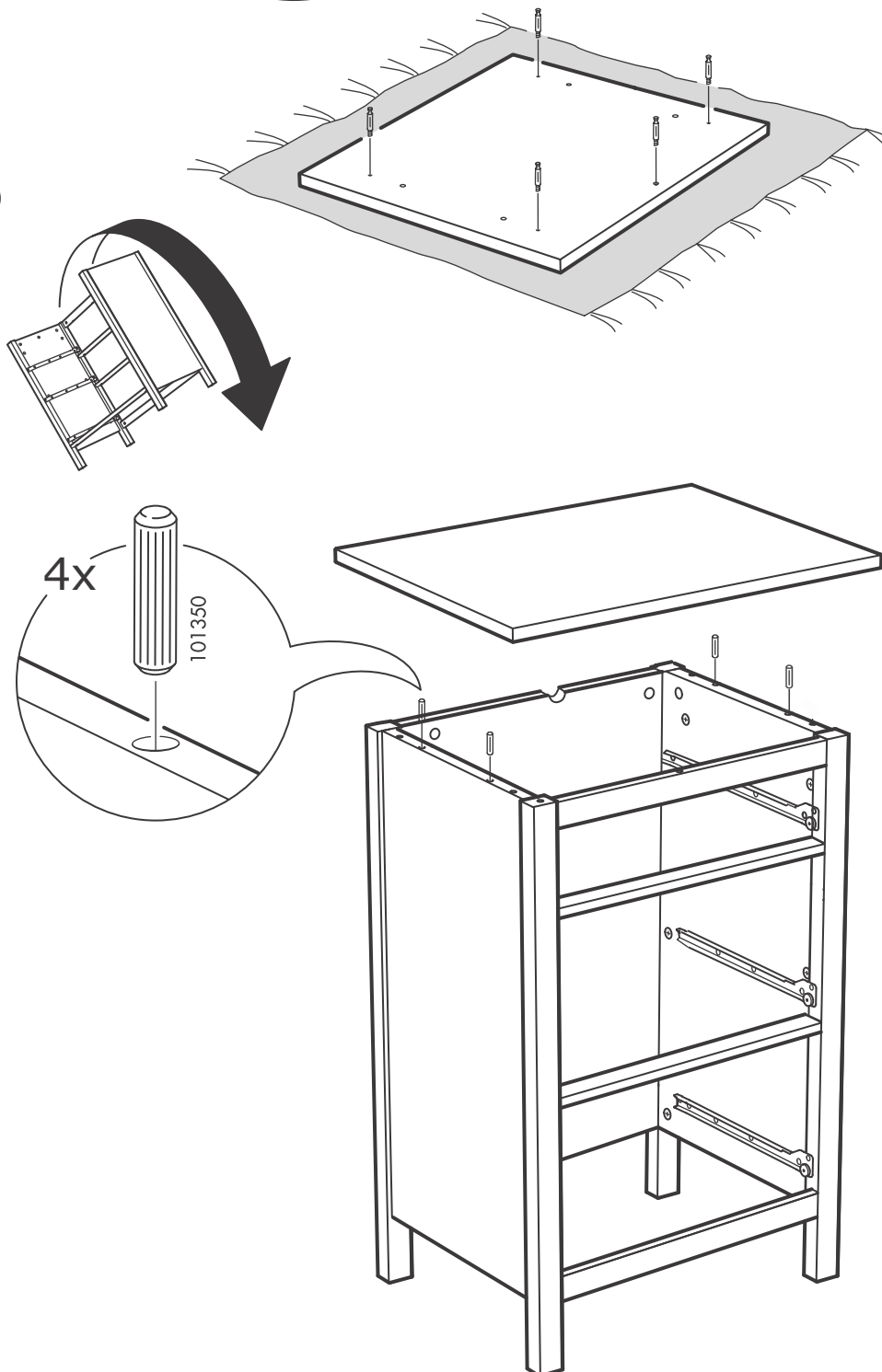
13



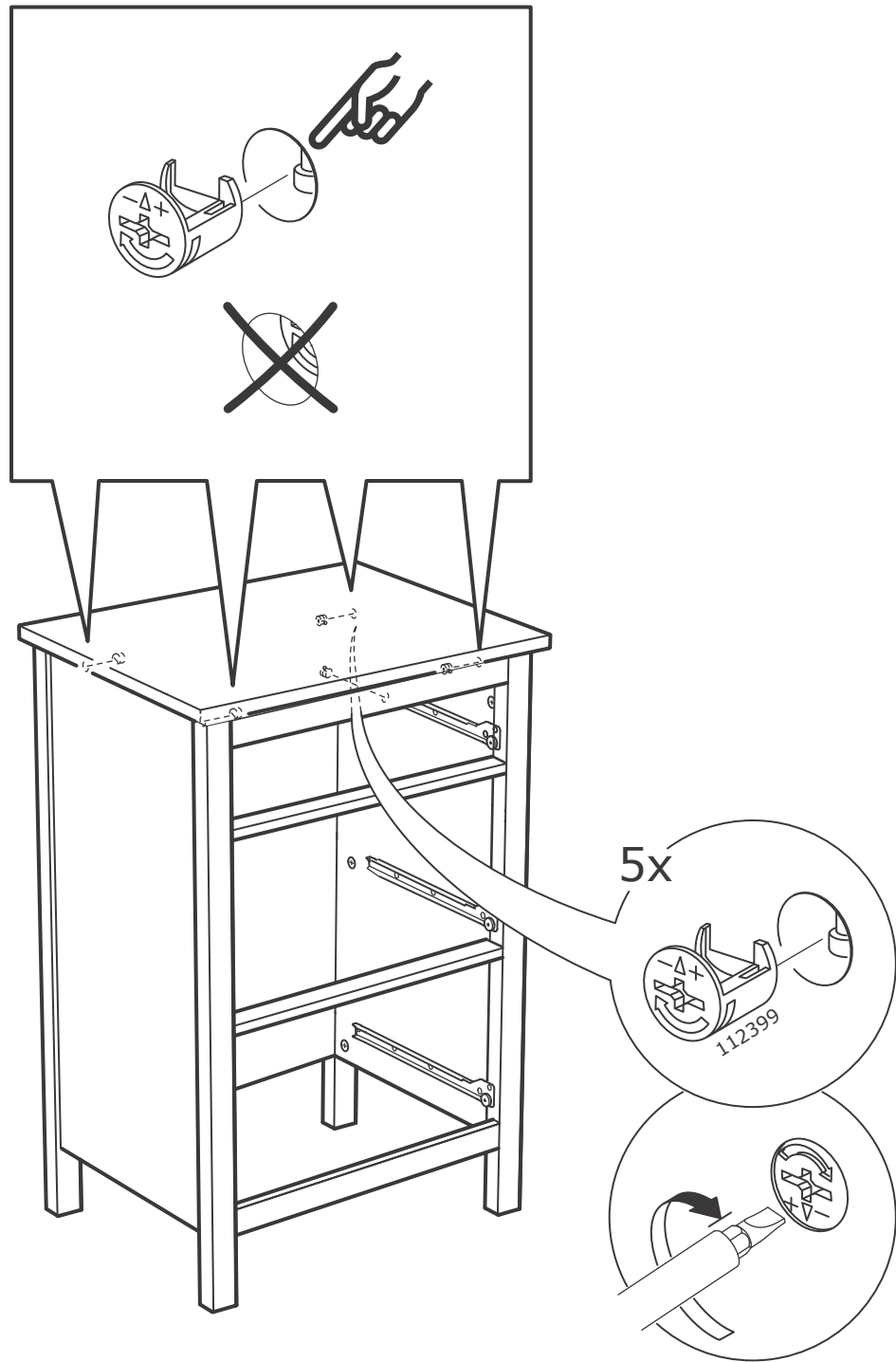
14

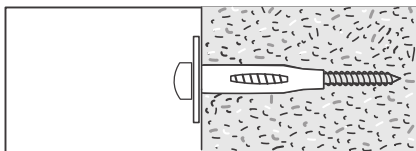
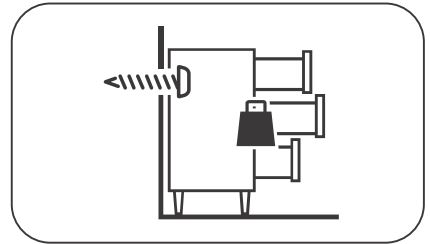
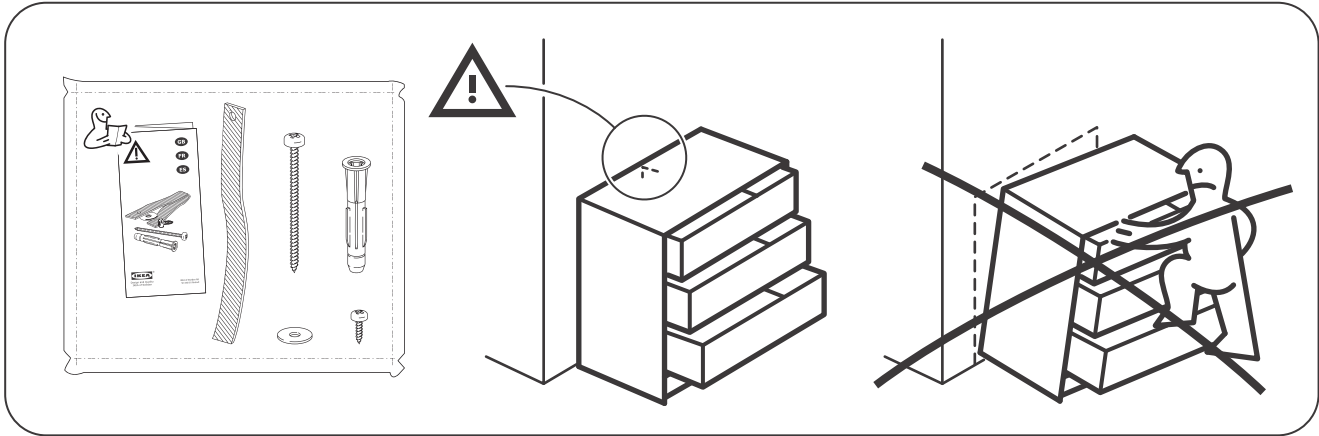


15



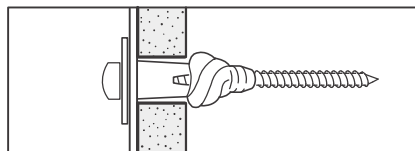
16





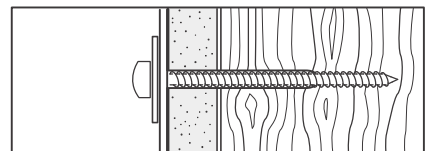
Ø 8 mm
(5/16")

- 1
- 2 70 mm (3/4")
- 3



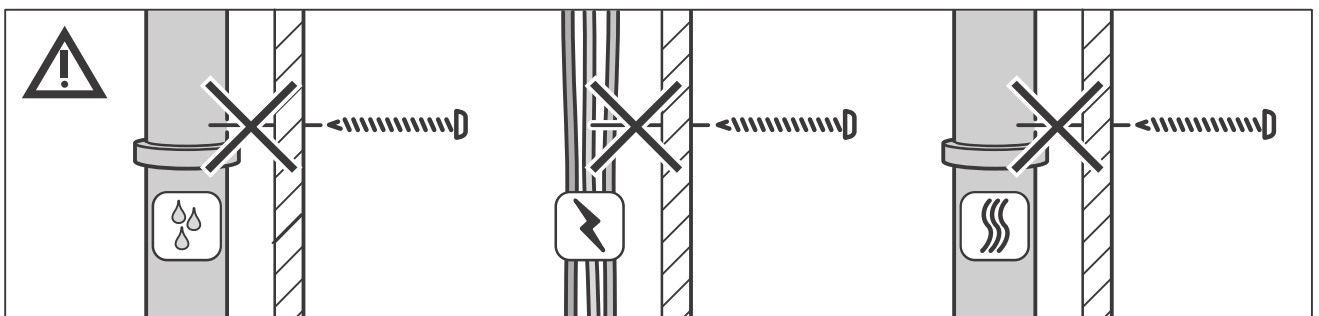
Ø 8 mm
(5/16")

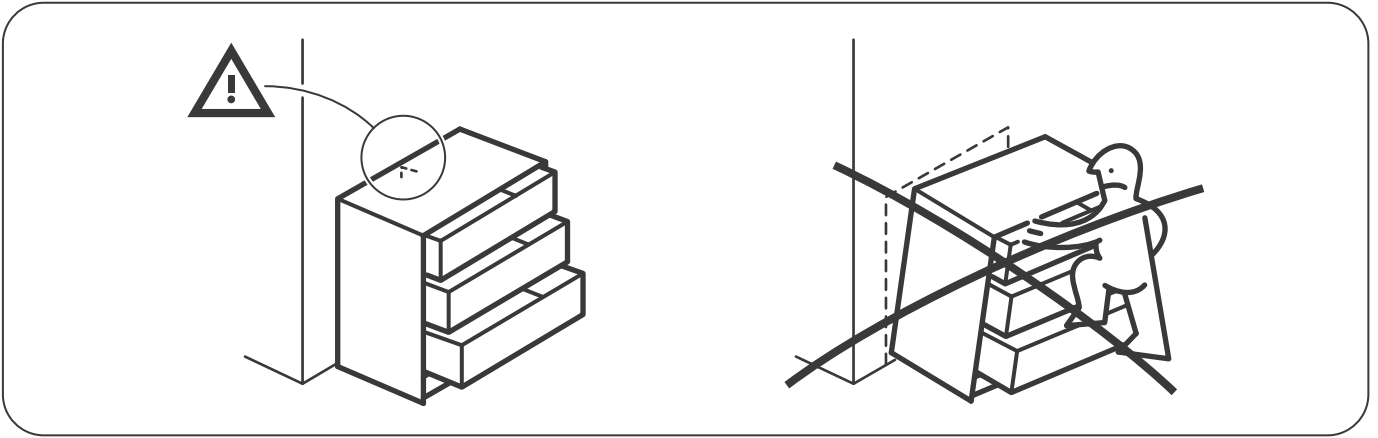
- 1
- 2 ≈ 30 mm (≈ 1 1/4")
- 3



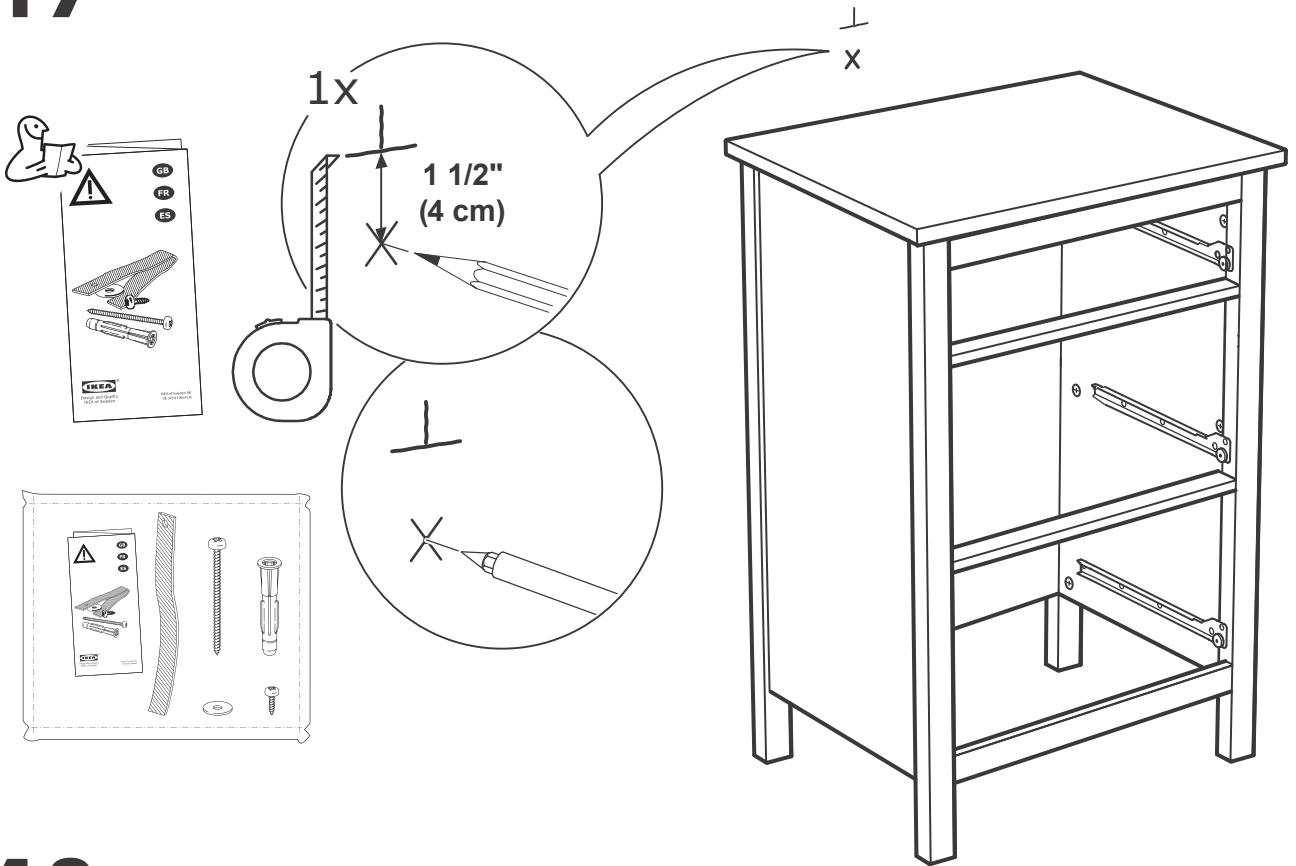
Ø 3 mm
(1/8")

- 1
- 2 ≈ 30 mm (≈ 1 1/4")

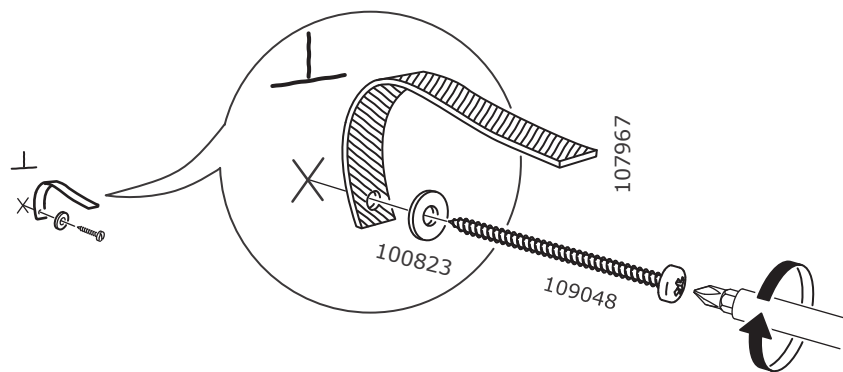




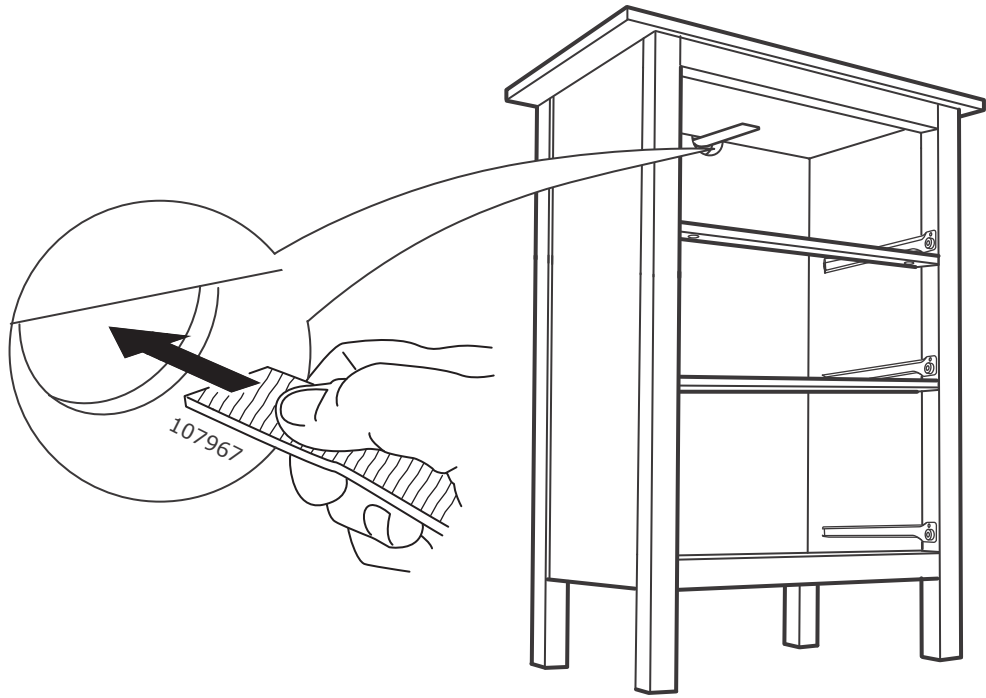
17



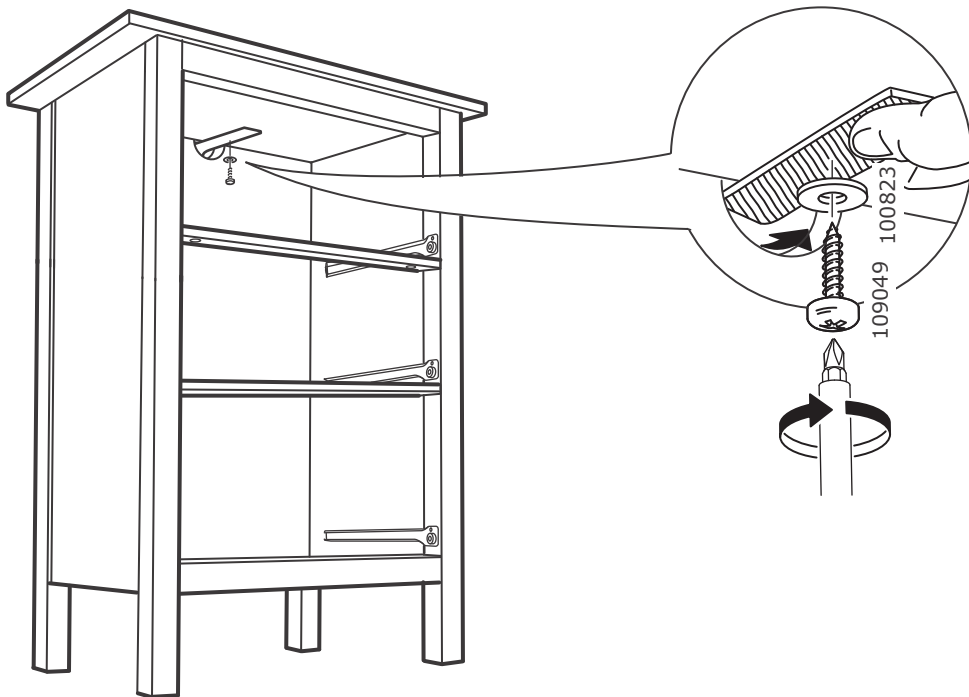
18



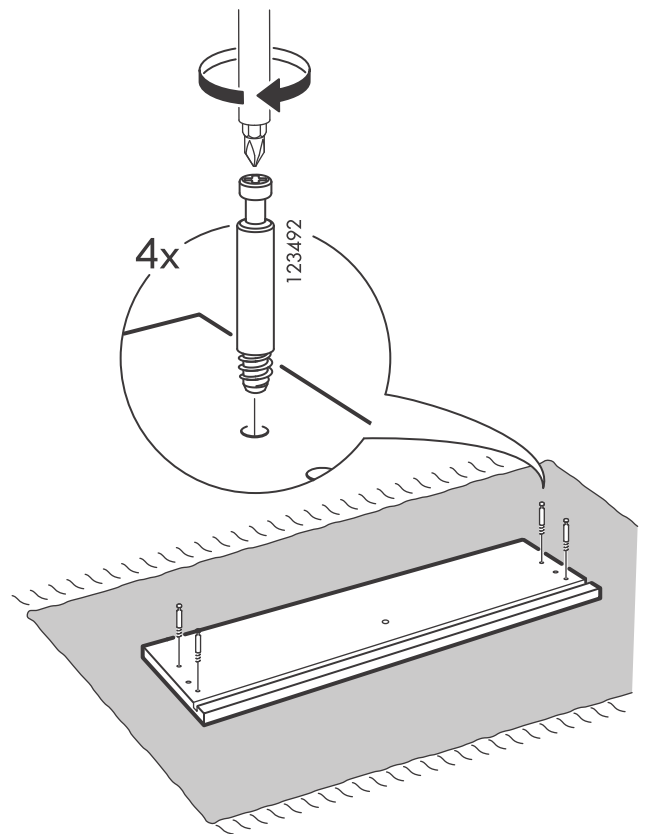
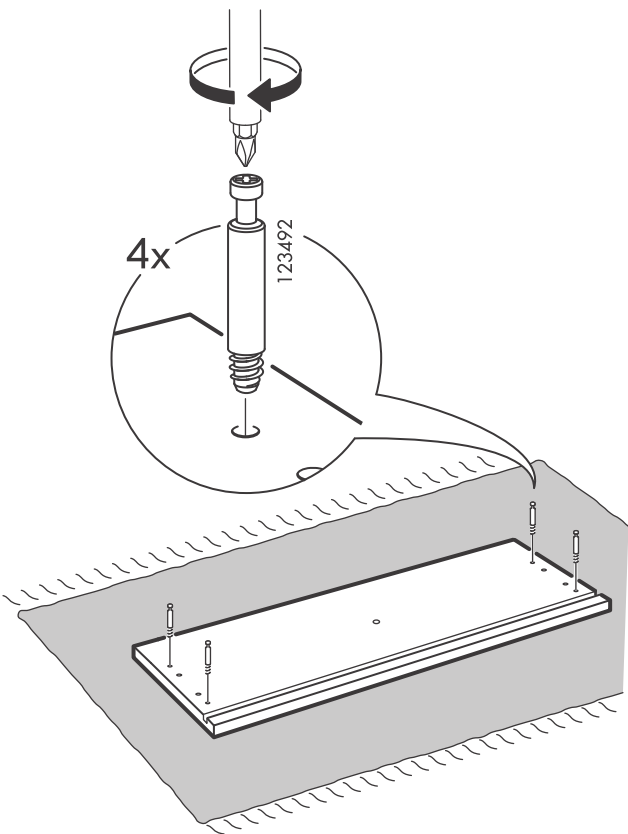
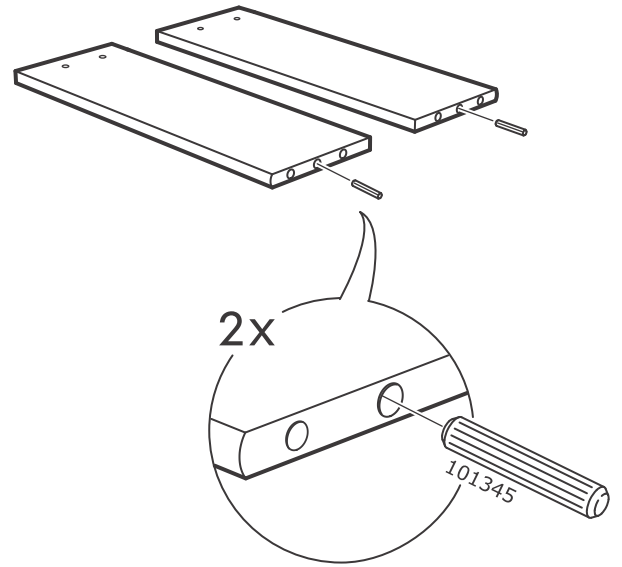
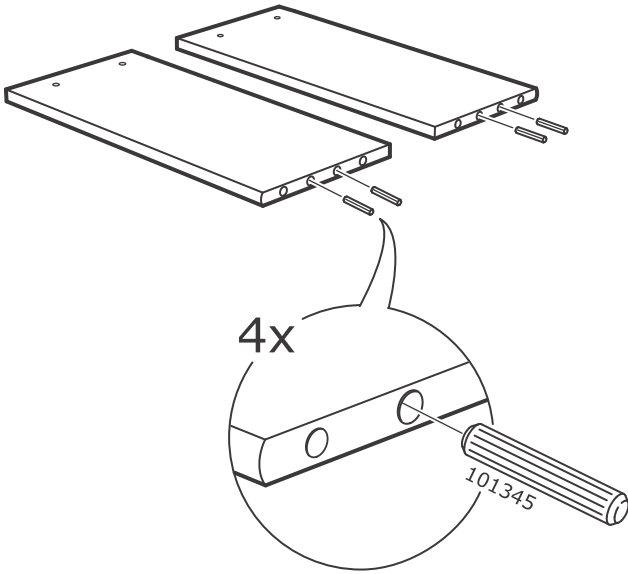
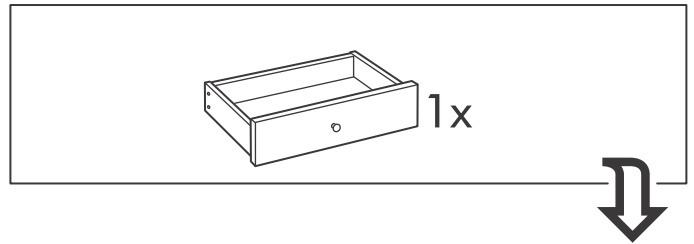
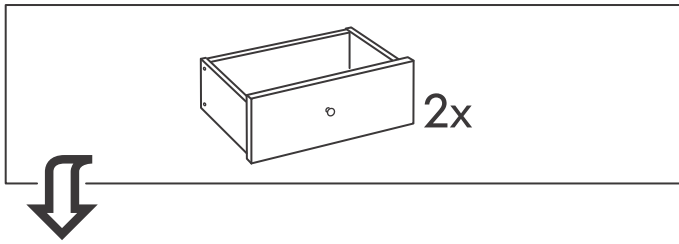
19



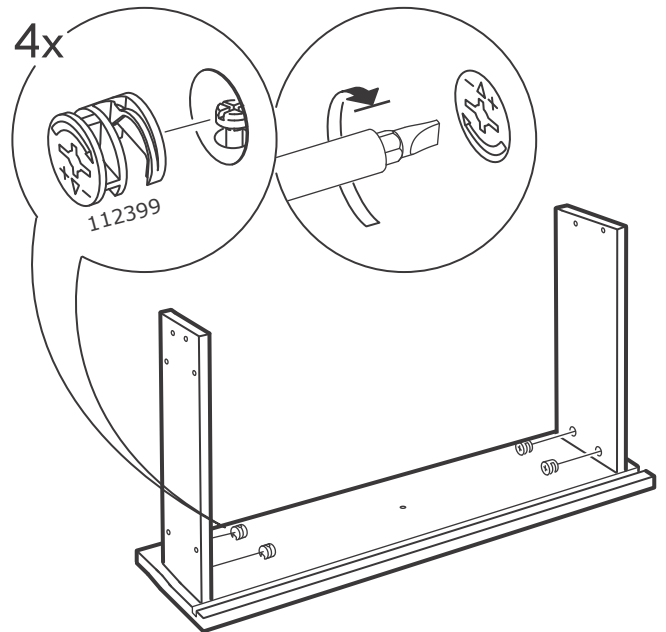
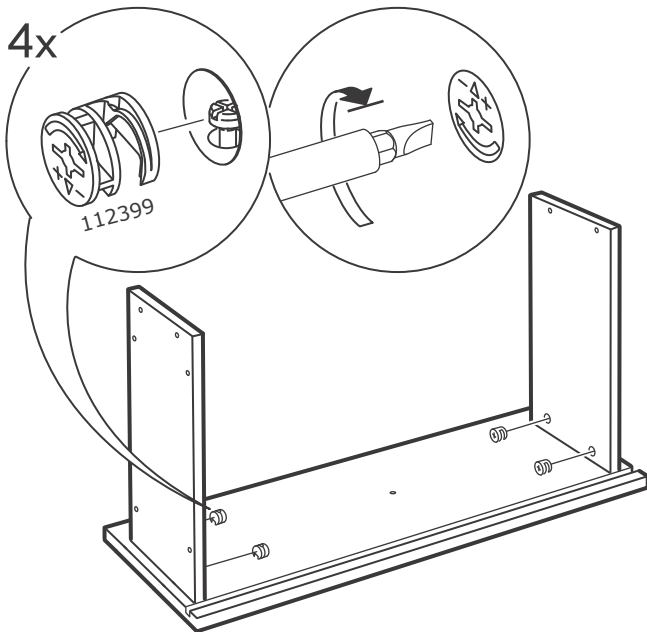
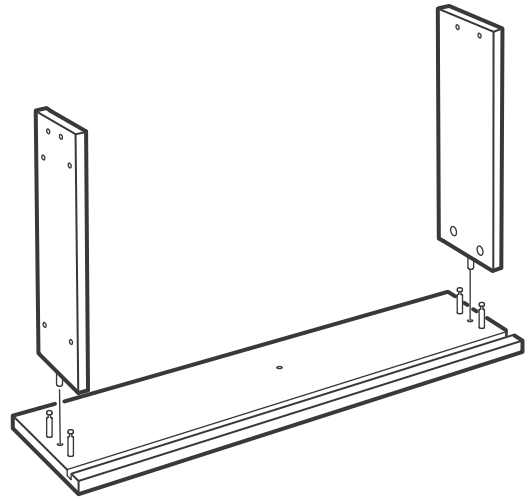
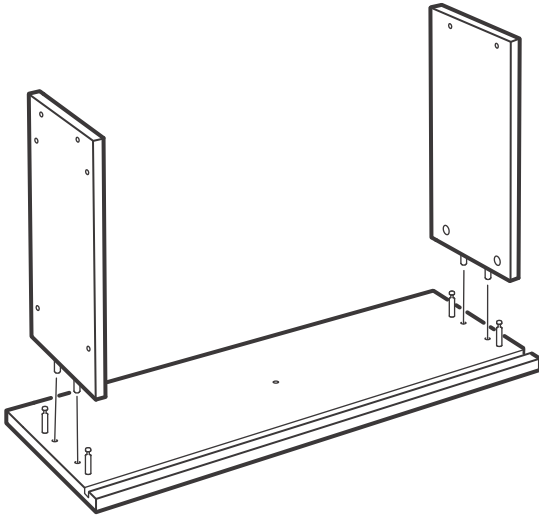
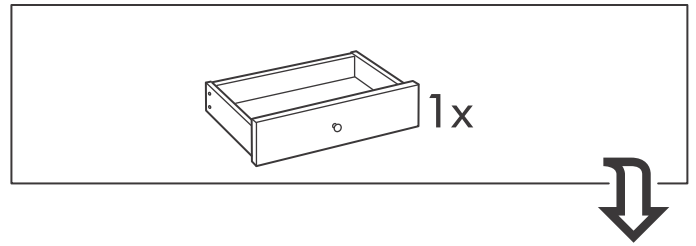
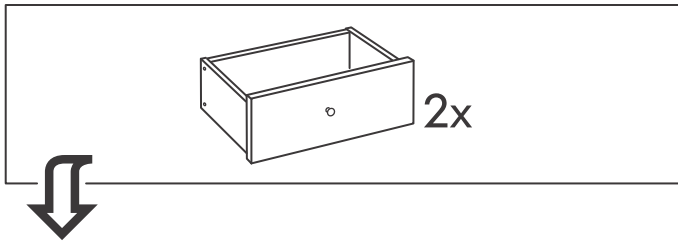
20



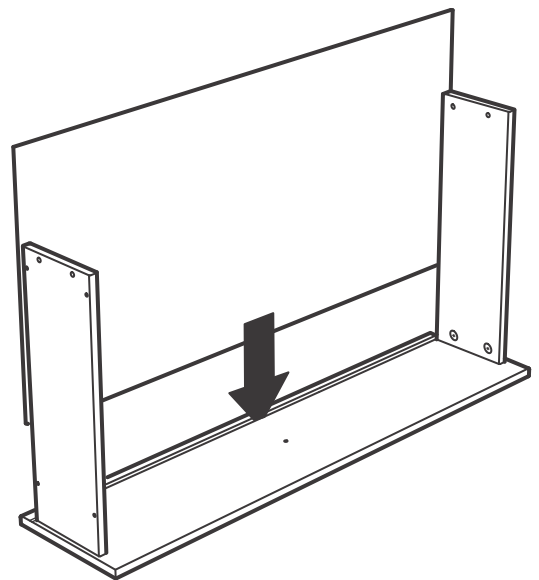
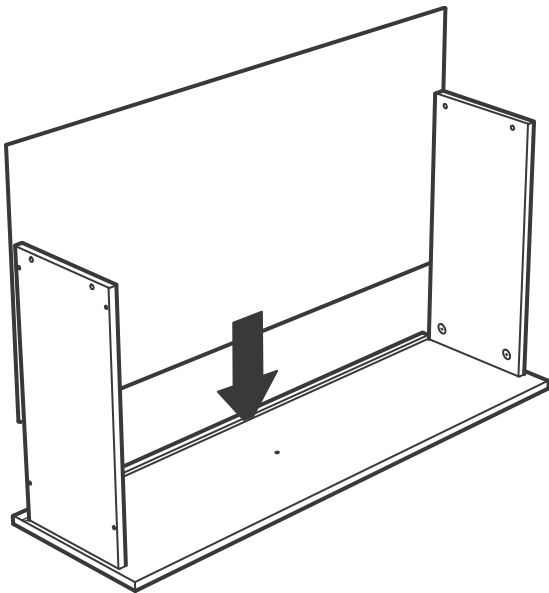
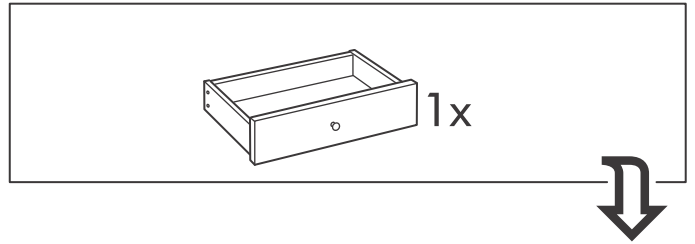
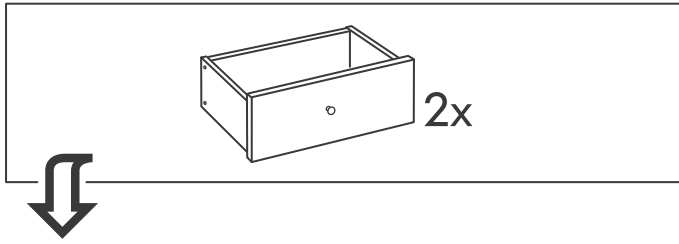
21



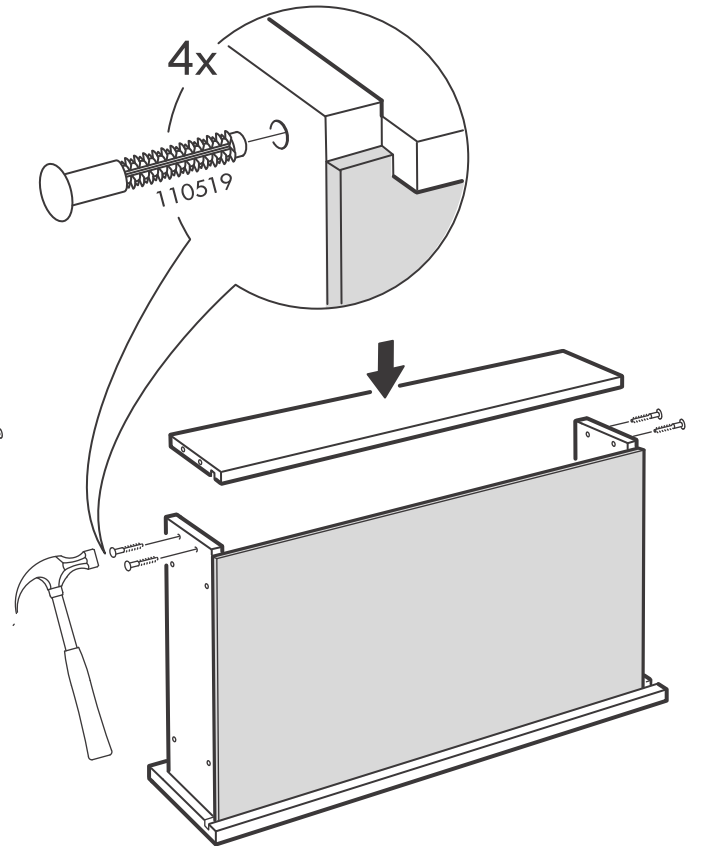
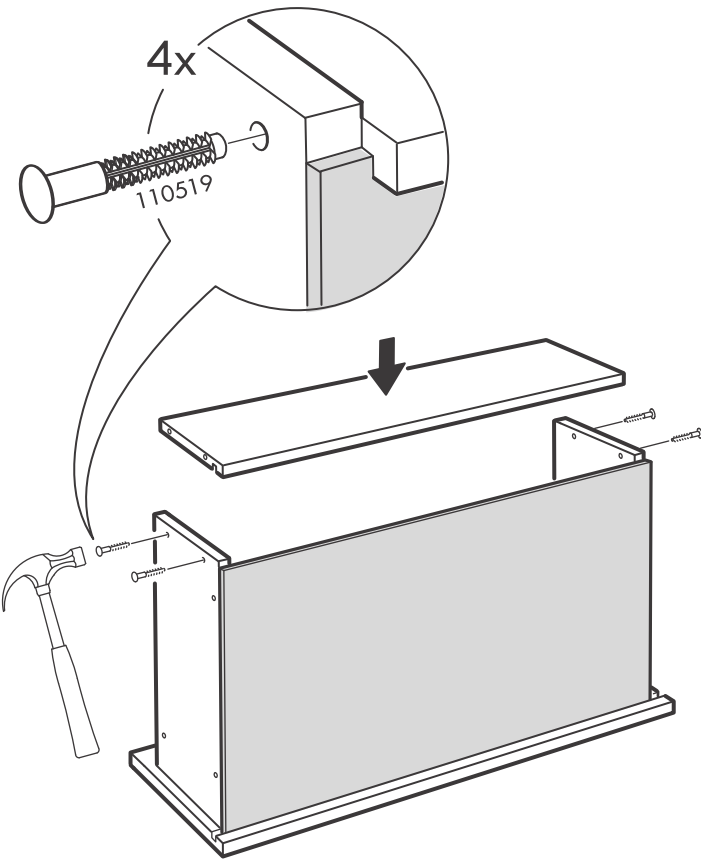
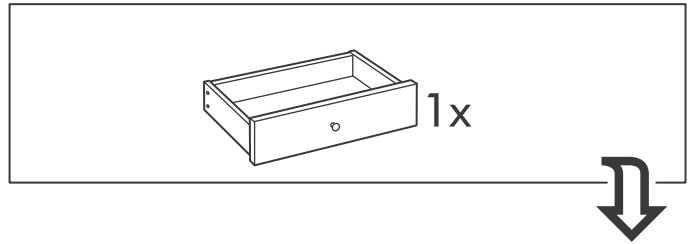
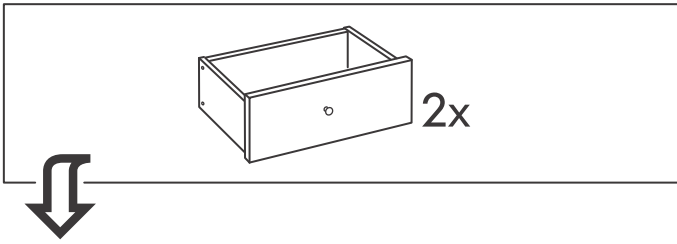
22



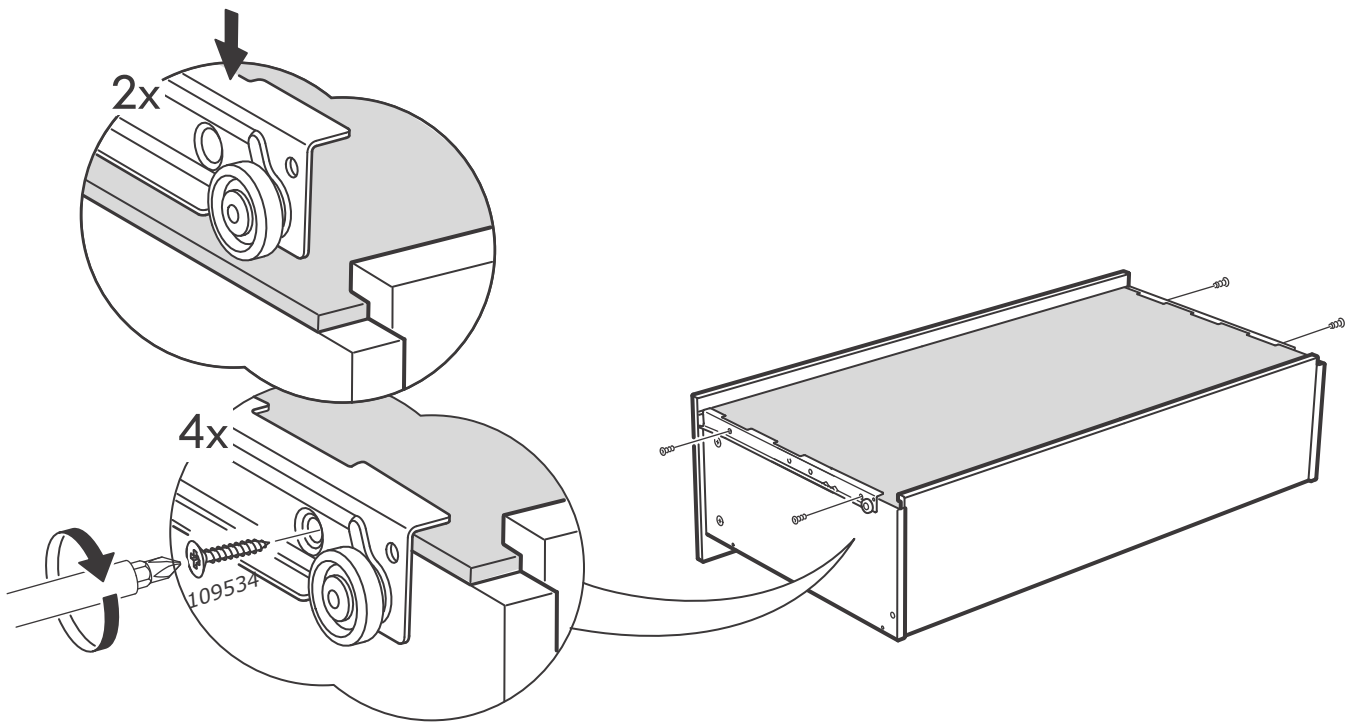
23



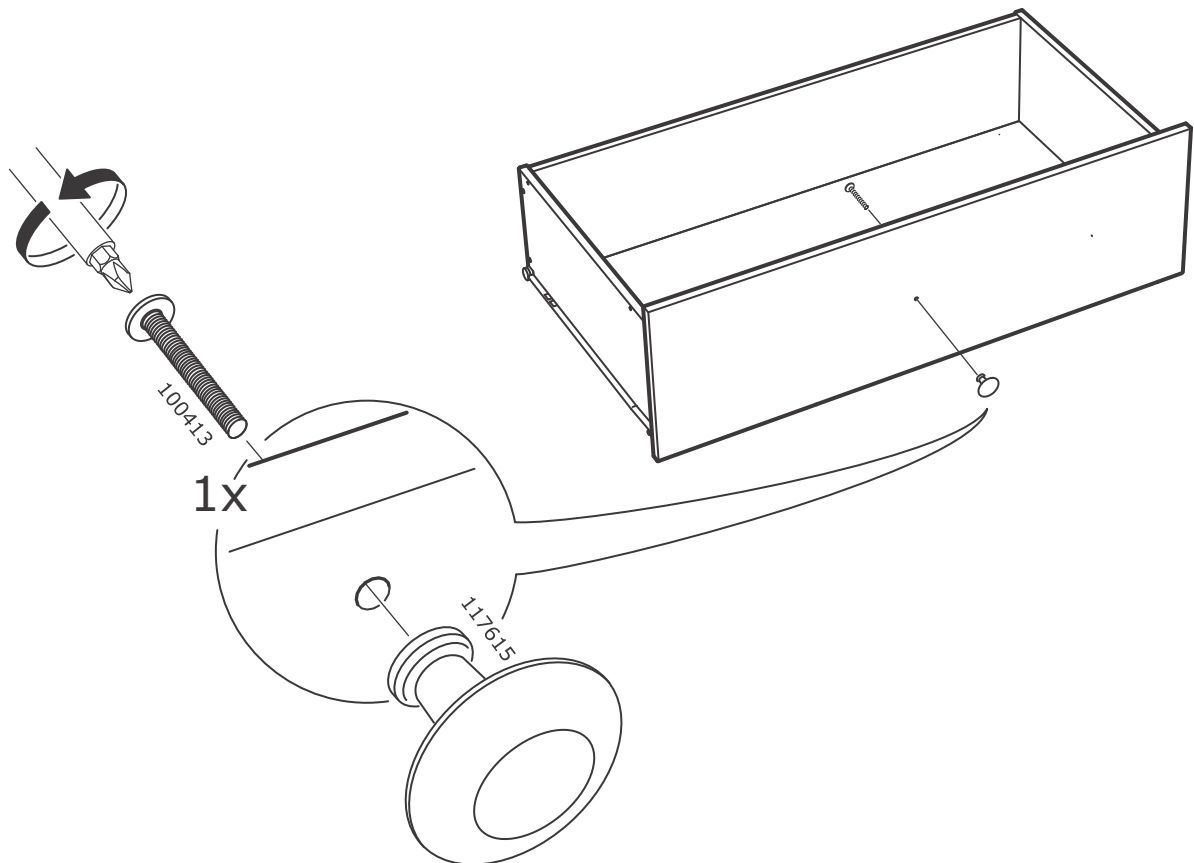
24



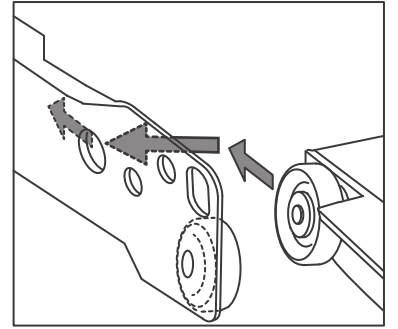
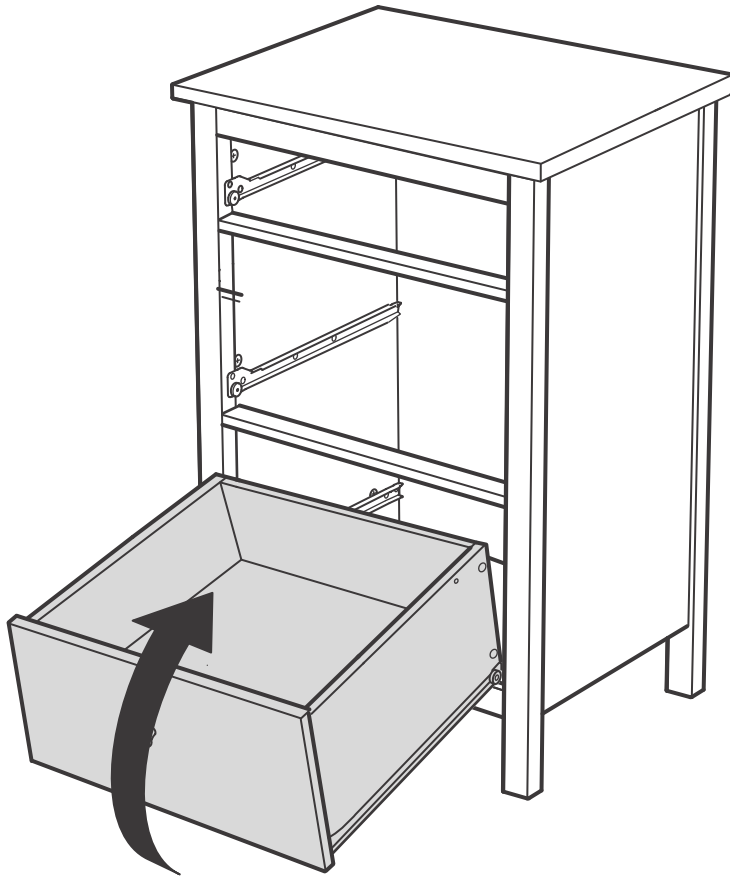
25



26



27



28 



 **WARNING**

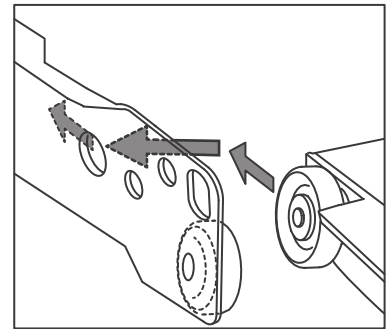
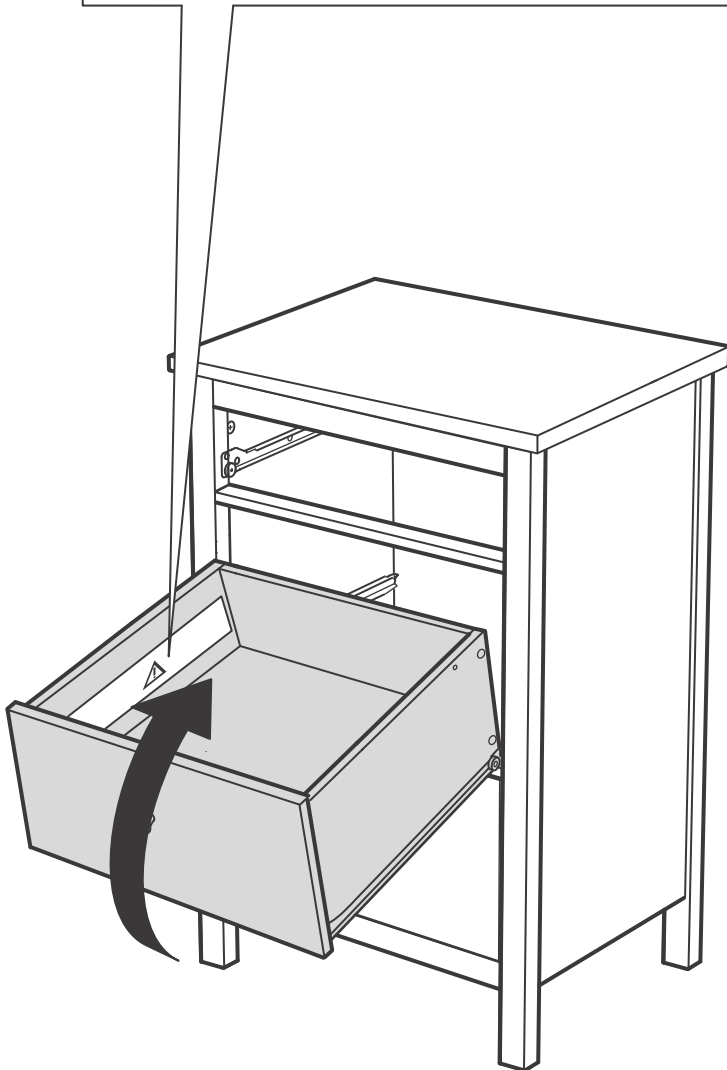
Children have died from furniture tipover.
To reduce the risk of furniture tipover:

- ALWAYS install tipover restraint provided.
- NEVER put a TV on this product.
- NEVER allow children to stand, climb or hang on drawers, doors or shelves.
- NEVER open more than one drawer at a time.
- Place heaviest items in the lowest drawers.

This is a permanent label. Do not remove!

© Inter IKEA Systems B.V. 2017

AA-2067832-3



29 



 **WARNING**

Children have died from furniture tipover.
To reduce the risk of furniture tipover:

- ALWAYS install tipover restraint provided.
- NEVER put a TV on this product.
- NEVER allow children to stand, climb or hang on drawers, doors or shelves.
- NEVER open more than one drawer at a time.
- Place heaviest items in the lowest drawers.

This is a permanent label. Do not remove!

© Inter IKEA Systems B.V. 2017

AA-2067832-3

