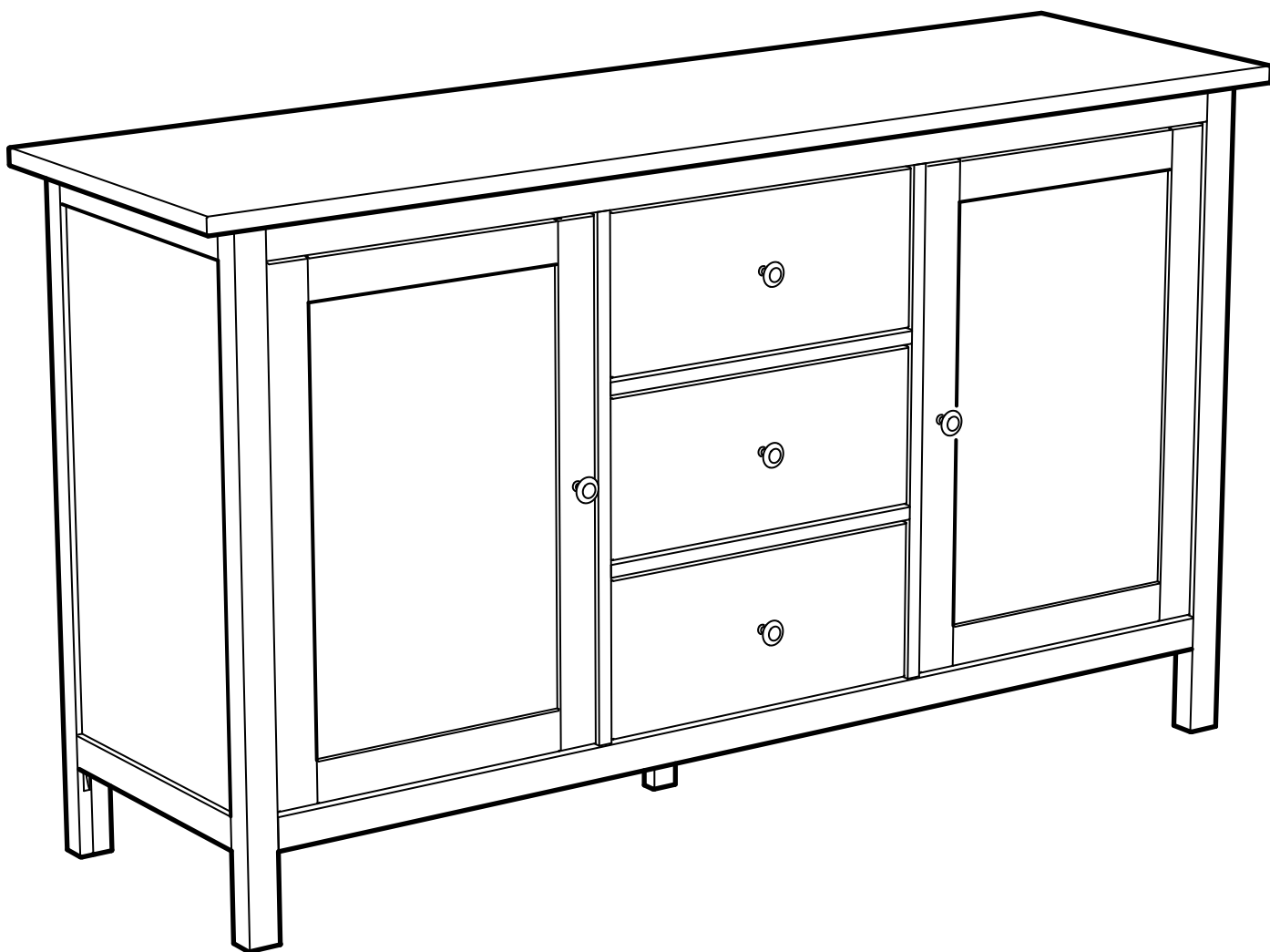
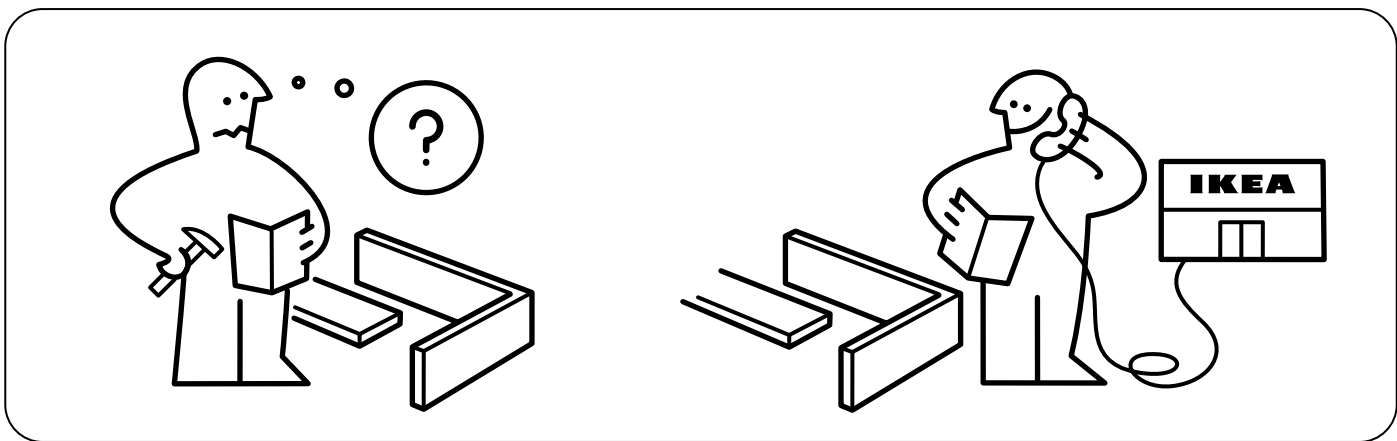
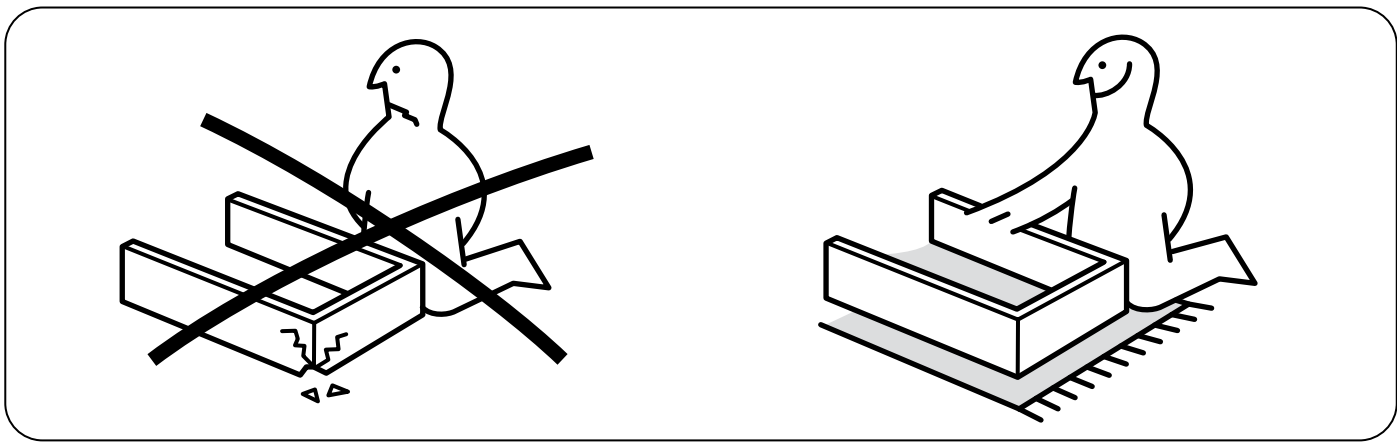
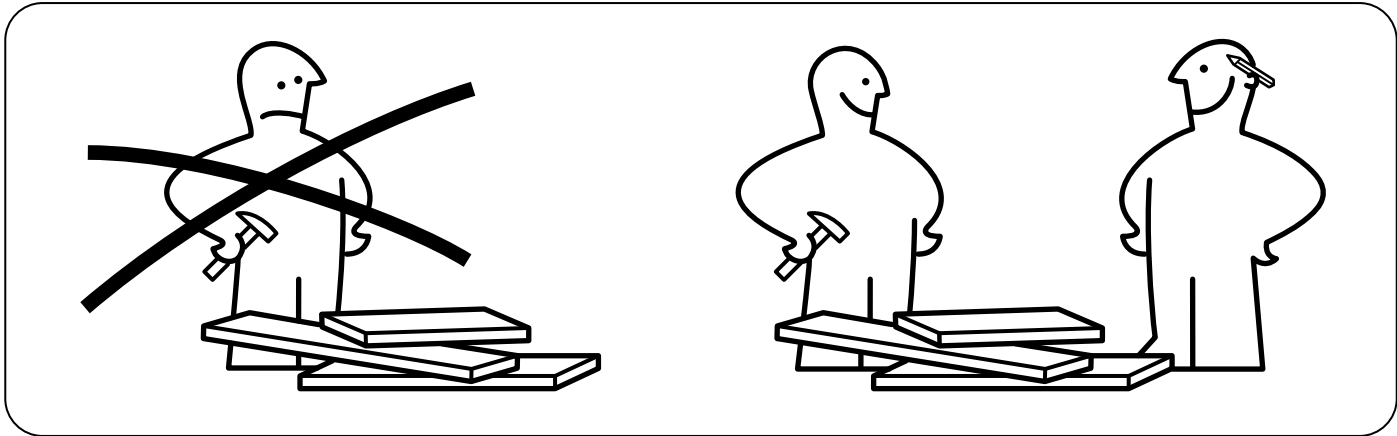
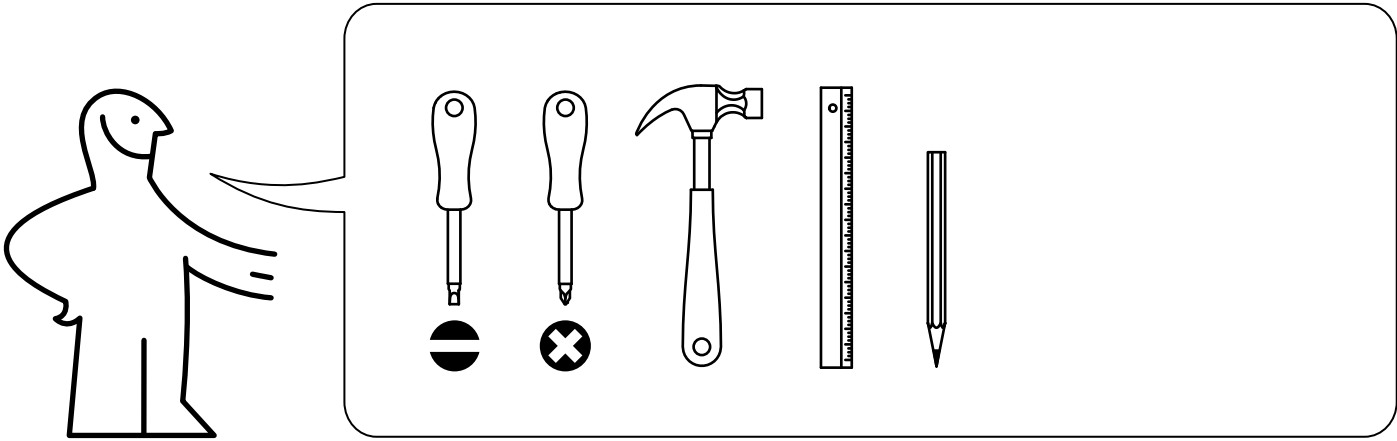
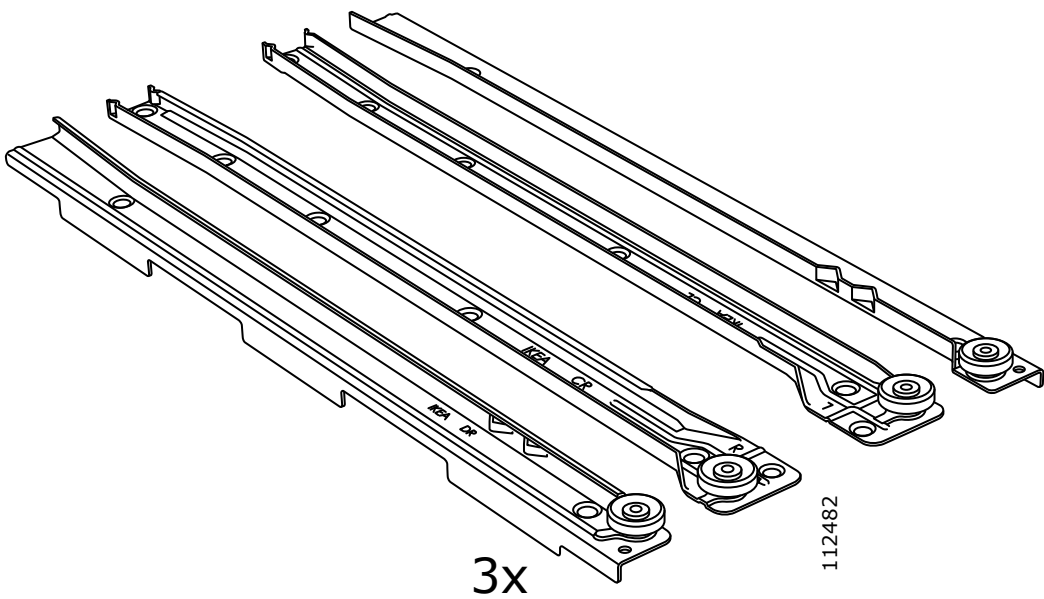
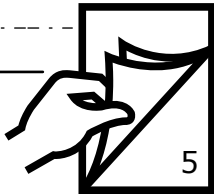
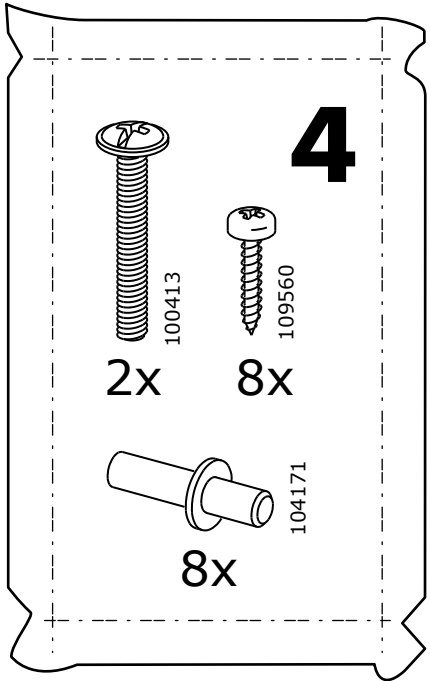
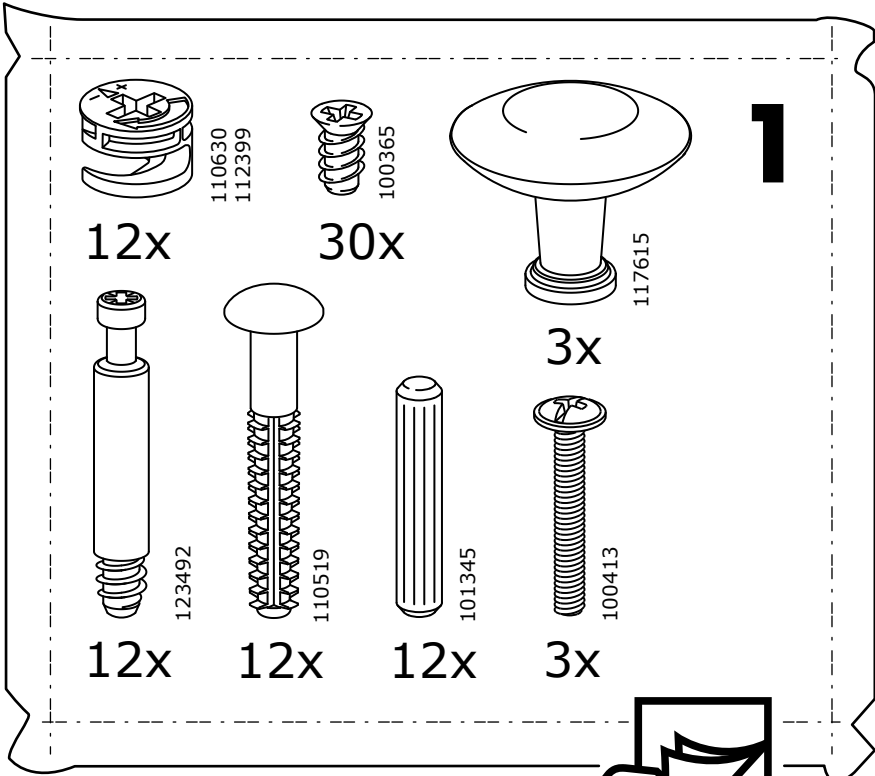
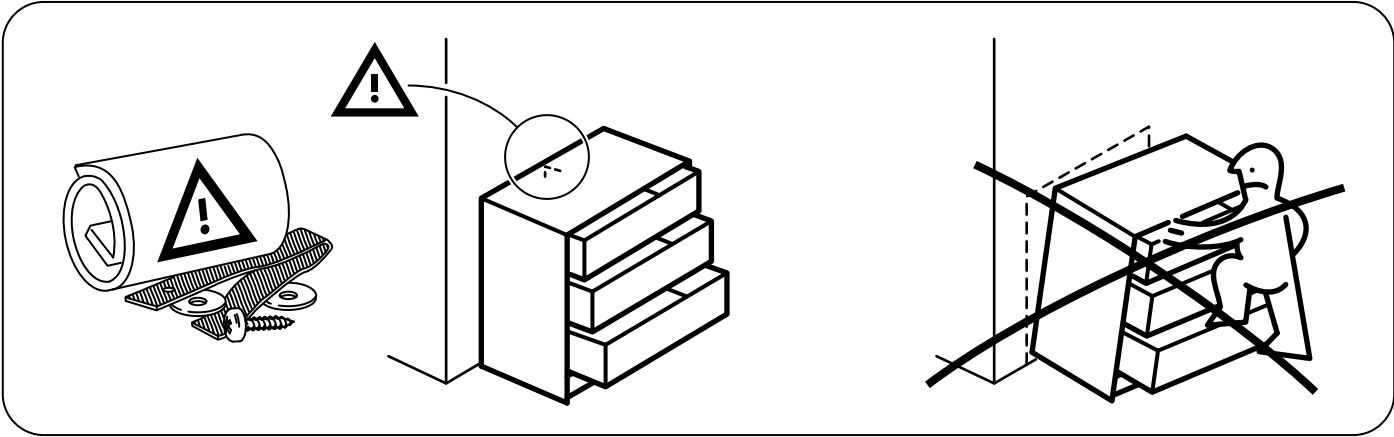


# HEMNES

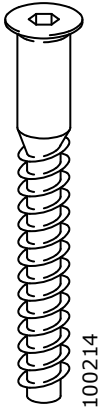


Design and Quality  
IKEA of Sweden



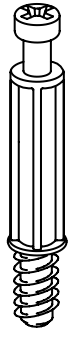


# 2



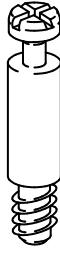
9x

100214



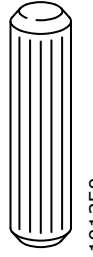
24x

118331



6x

100481



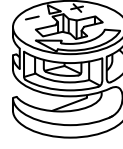
36x

101350



2x

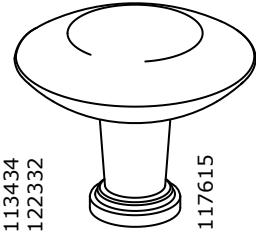
101577



30x

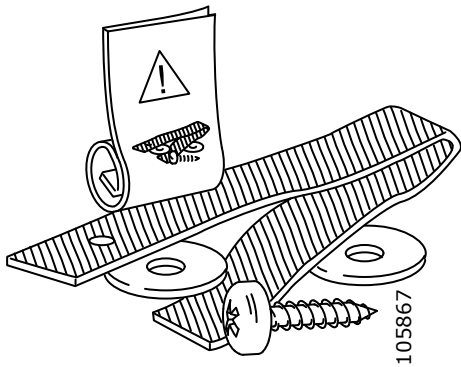
113434

122332



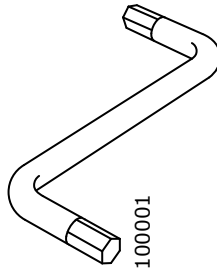
2x

117615



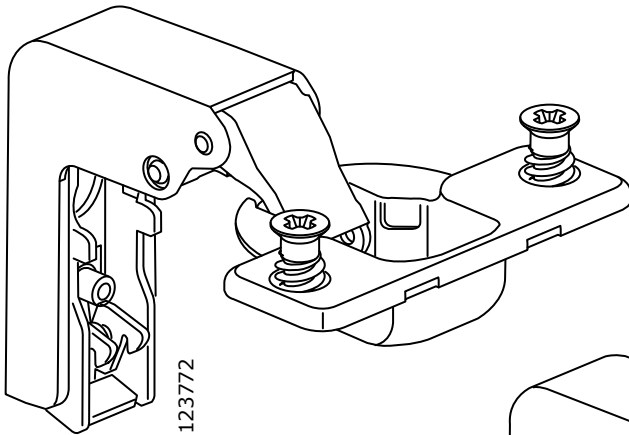
1x

105867



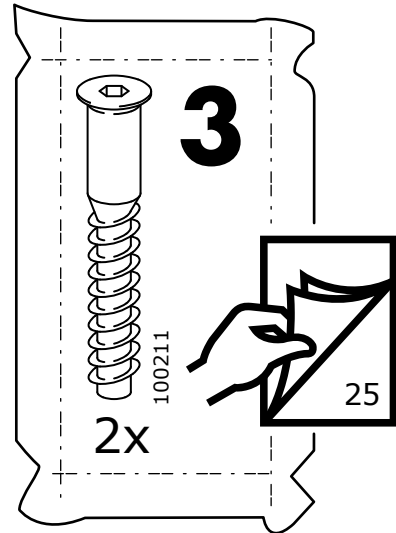
1x

100001



2x

123772

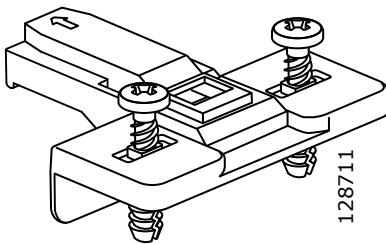


2x

100211

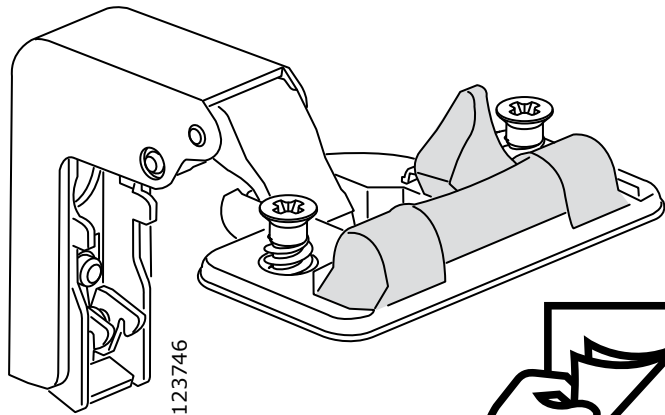
# 3

25



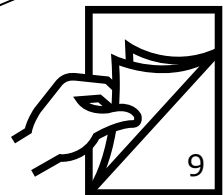
4x

128711

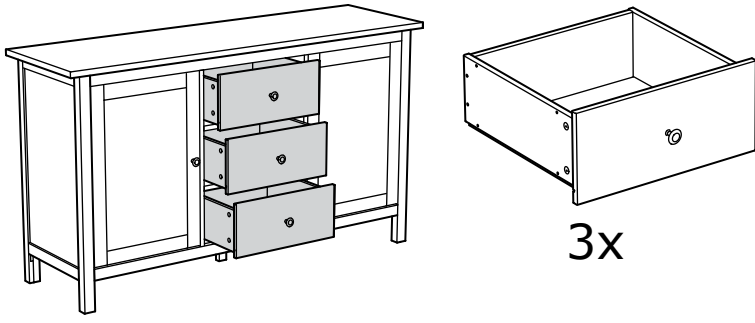


2x

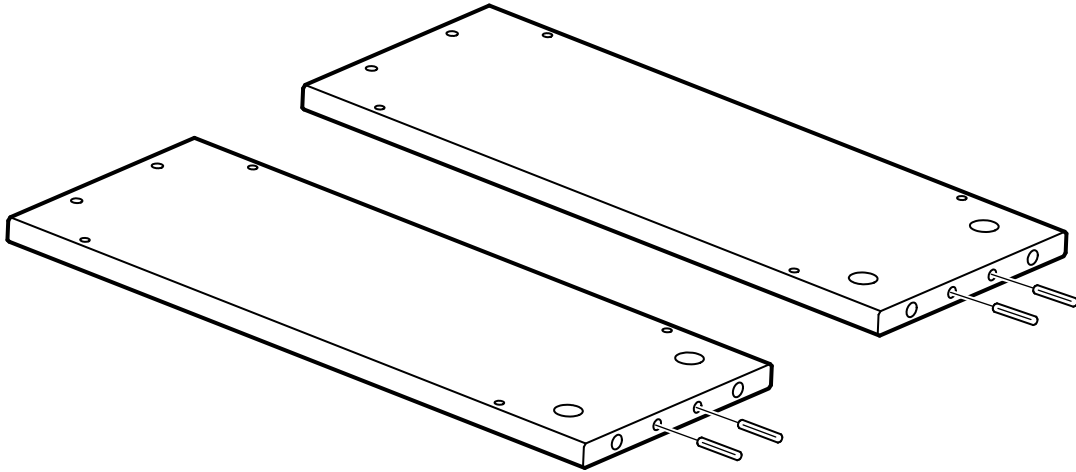
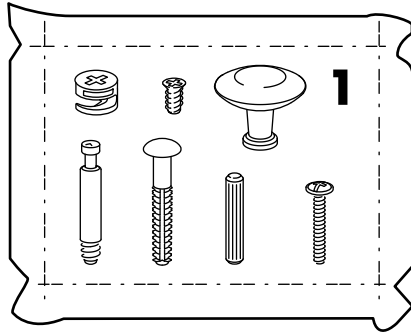
123746



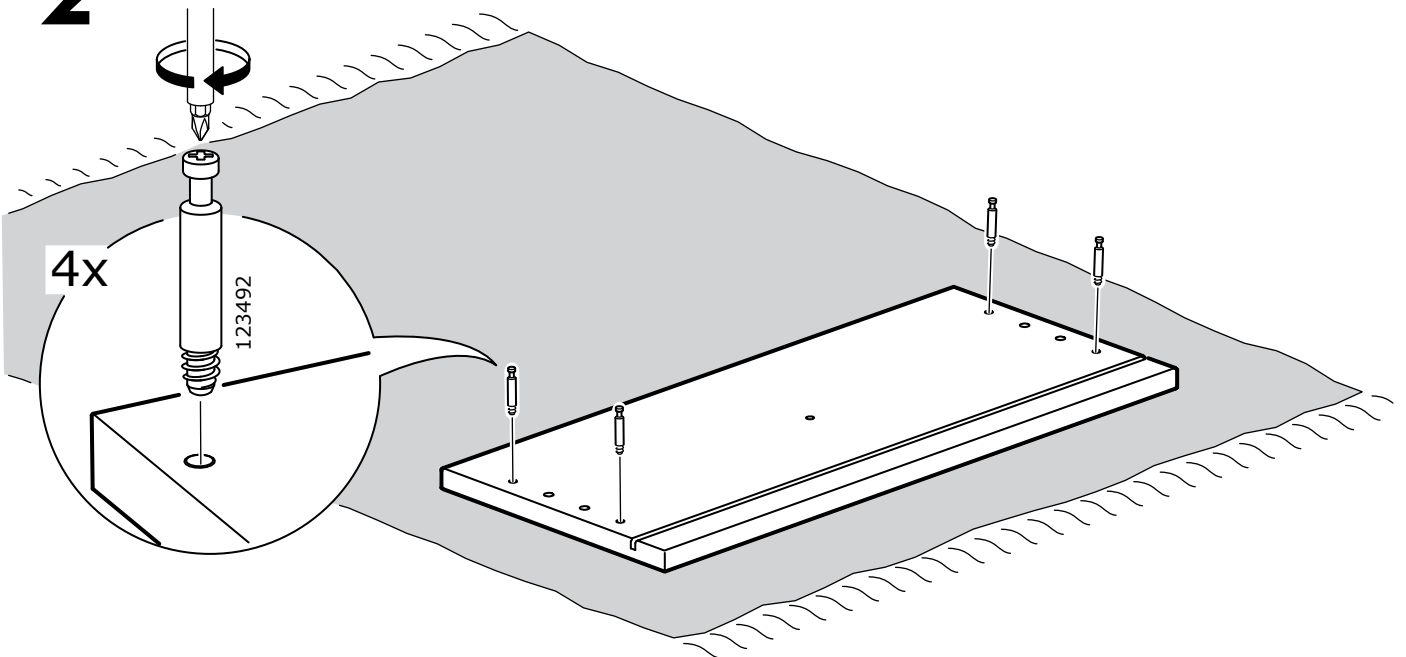
9



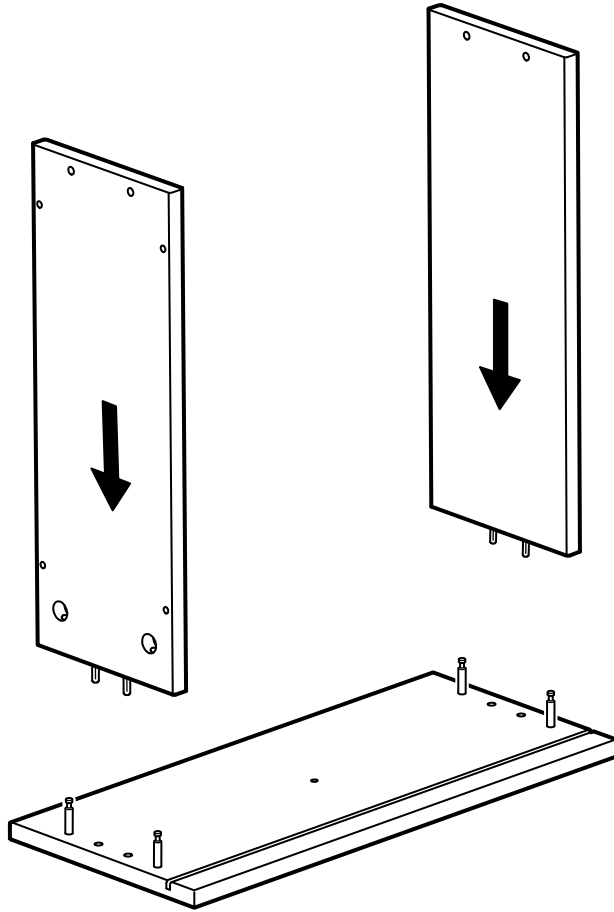
**1**



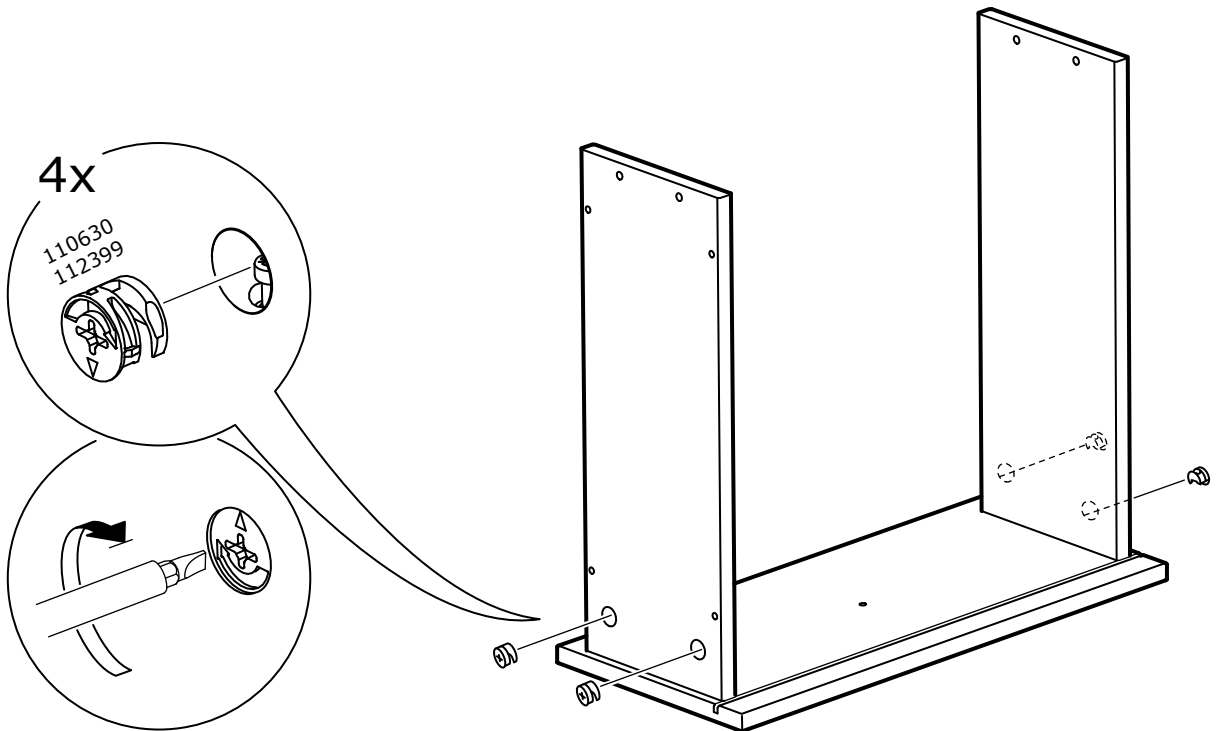
**2**



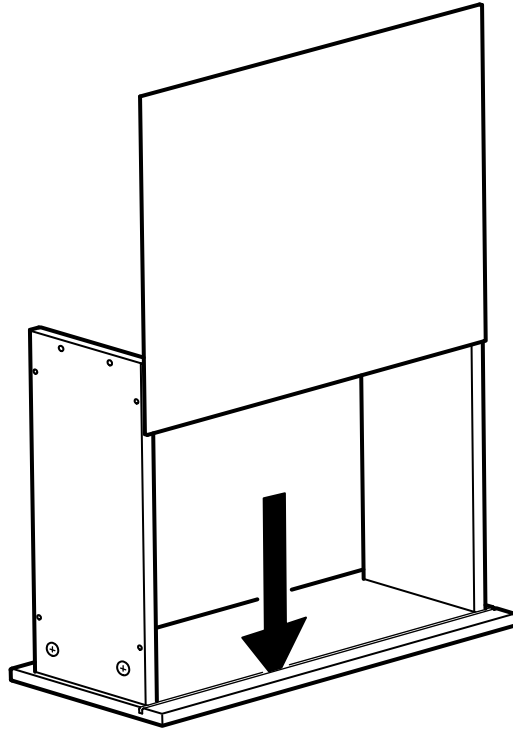
**3**



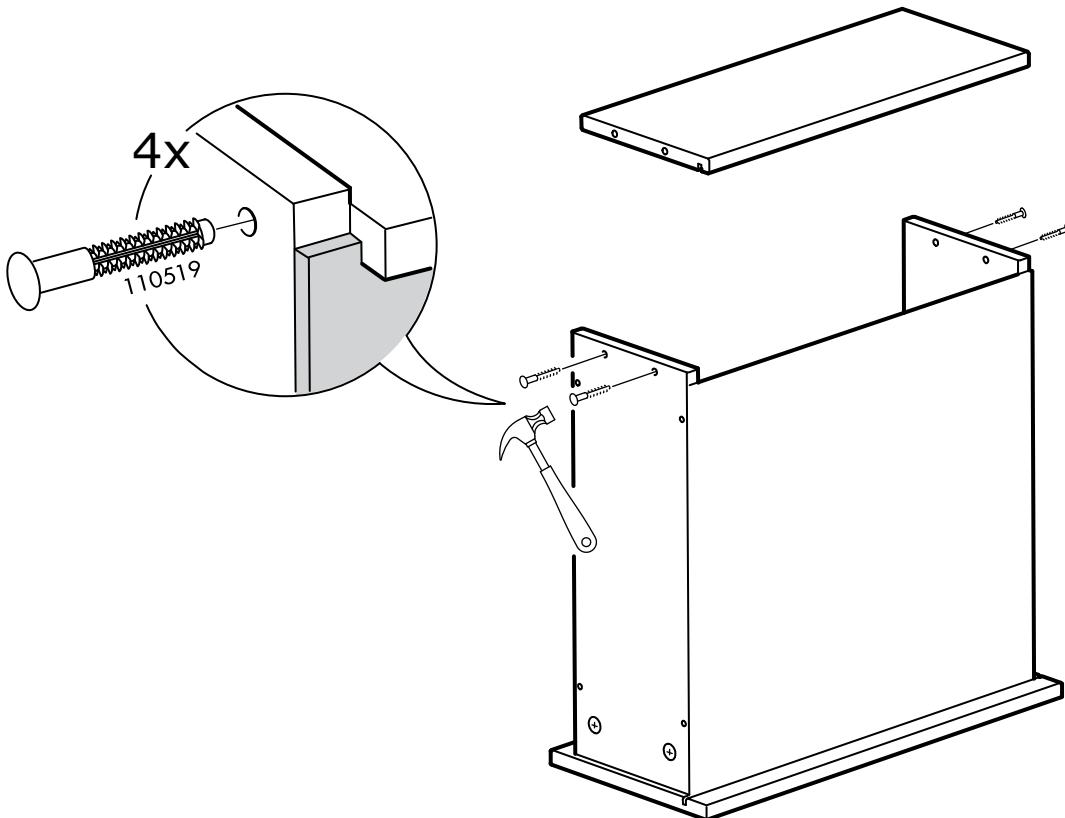
**4**



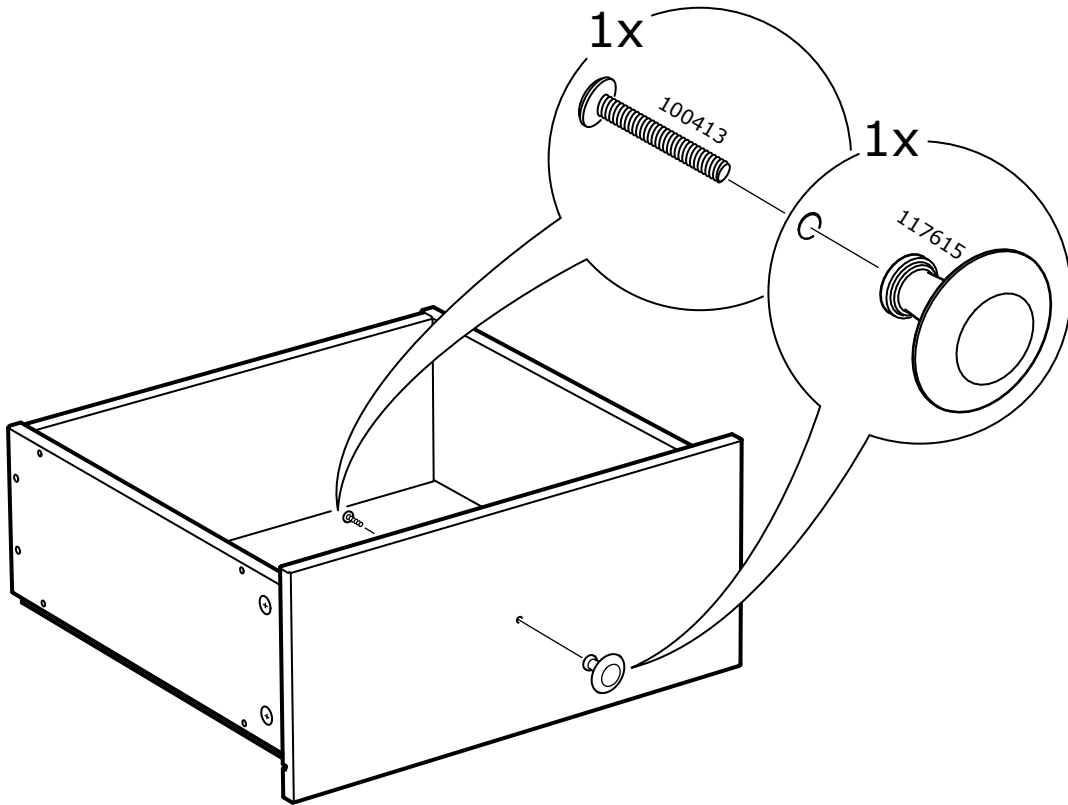
5



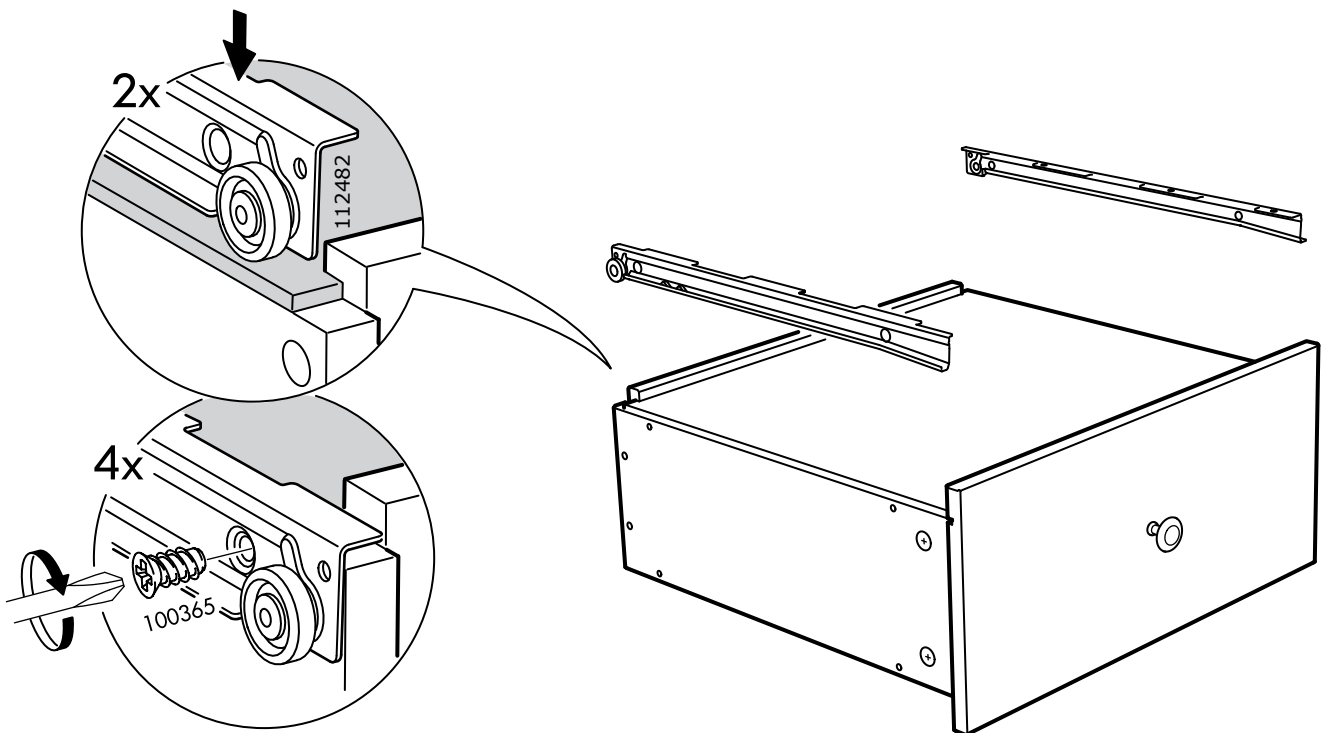
6



7

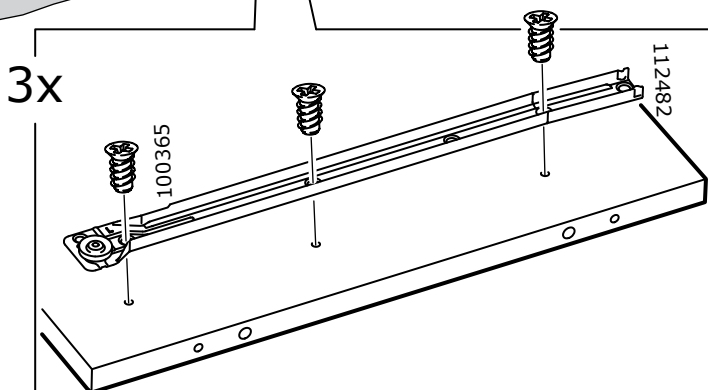
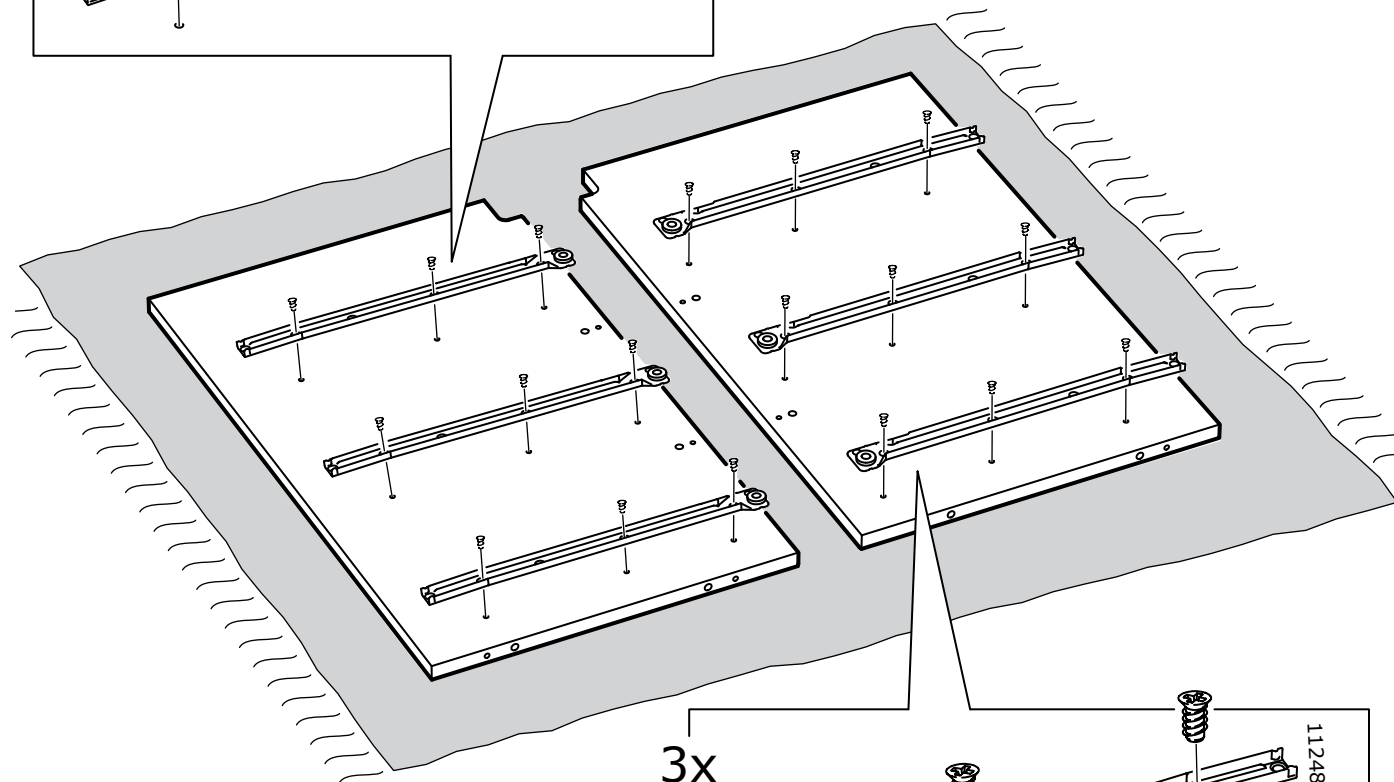
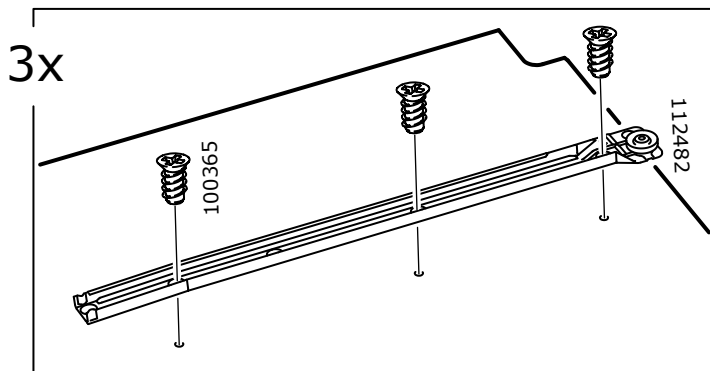
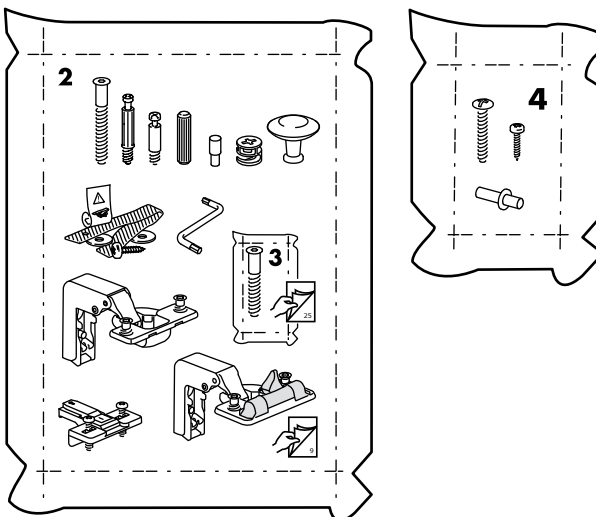
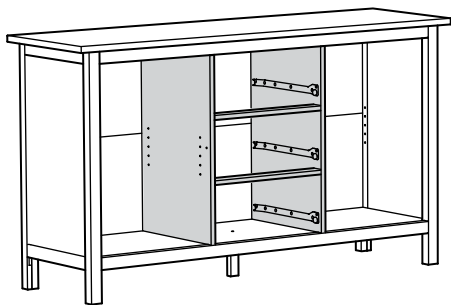


8

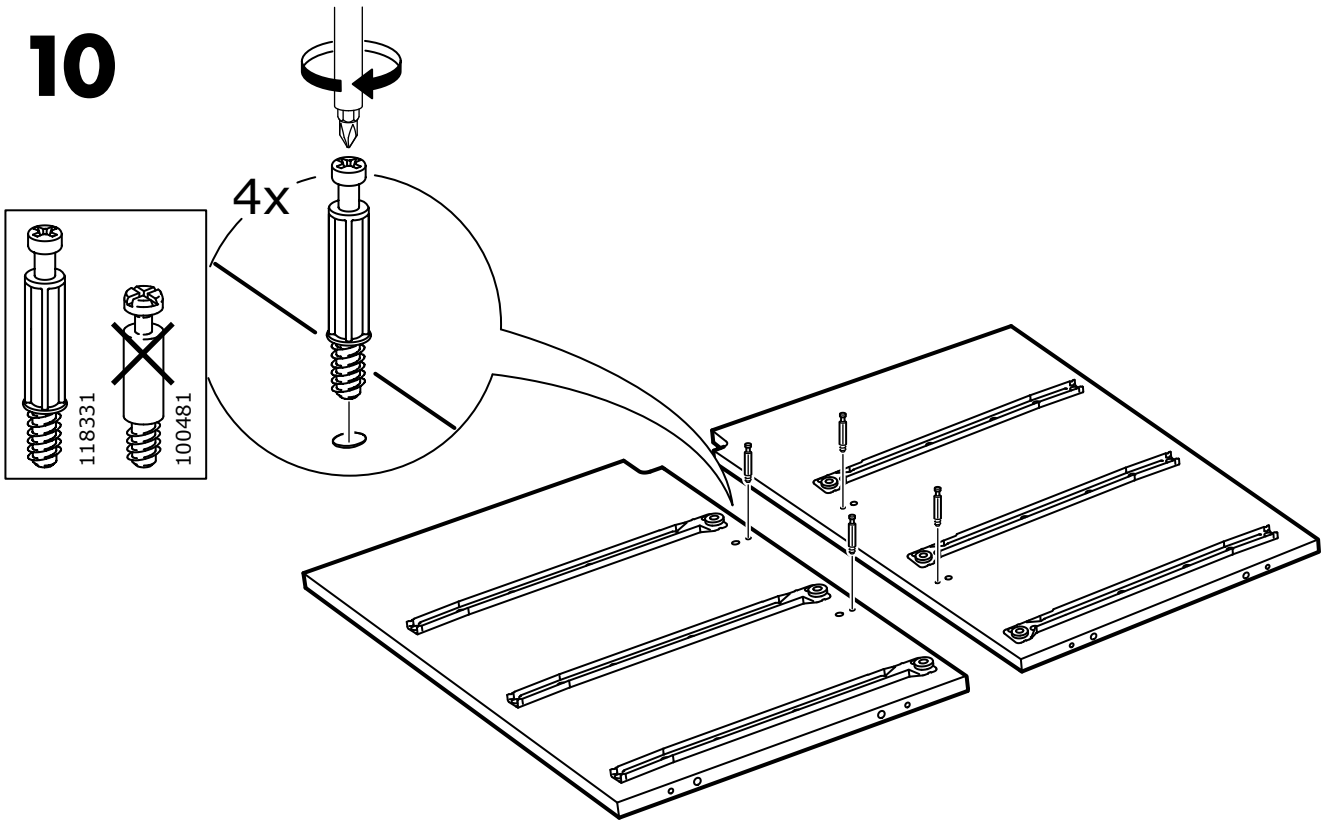




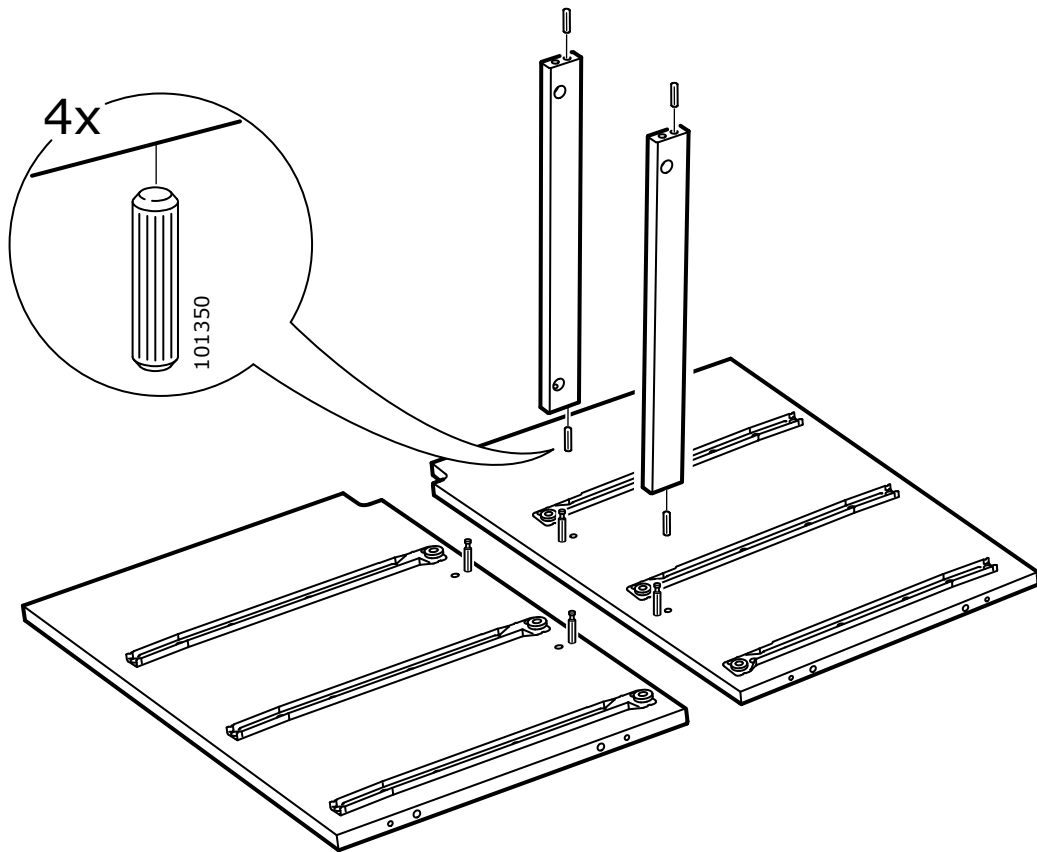
9



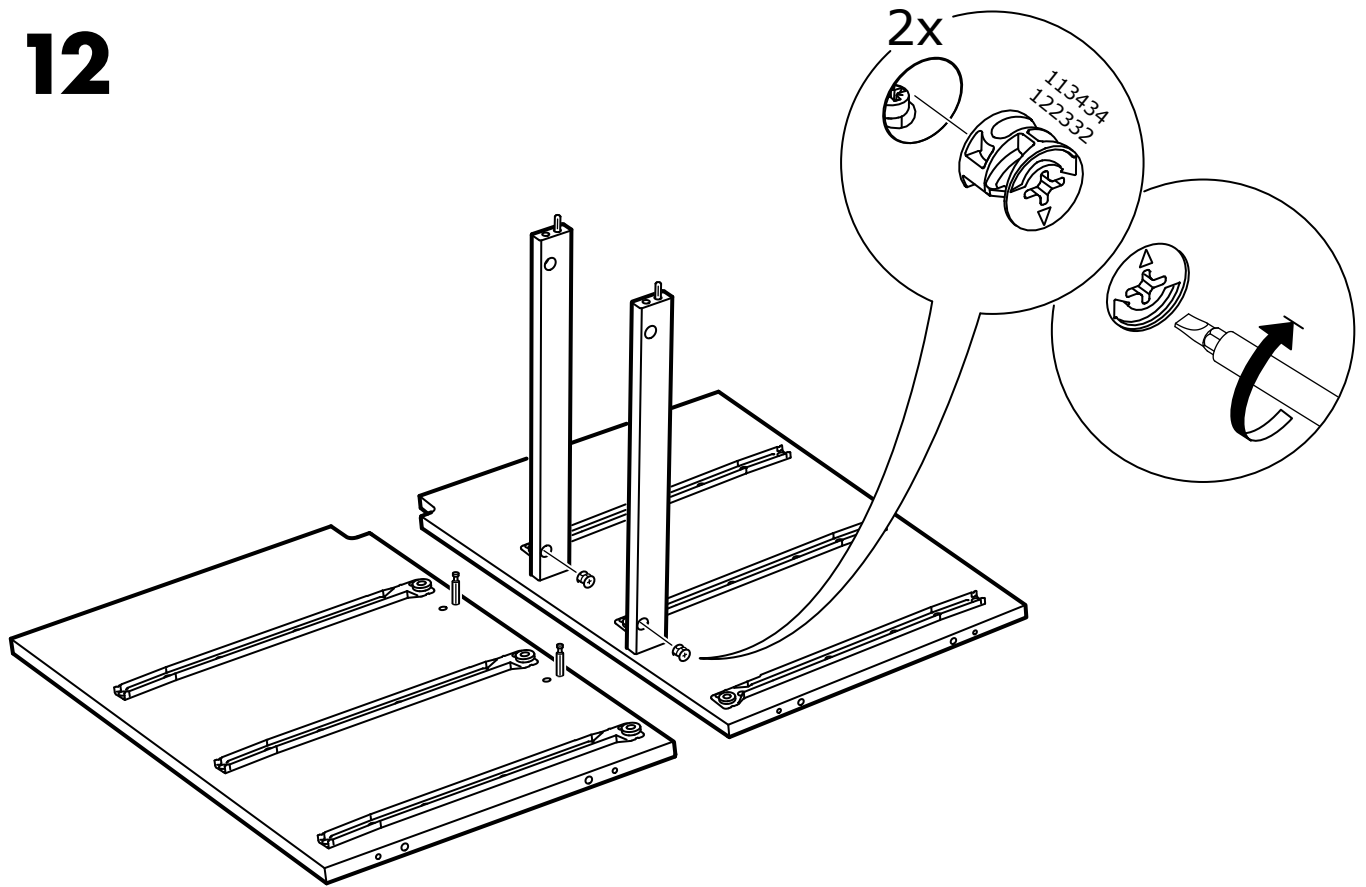
# 10



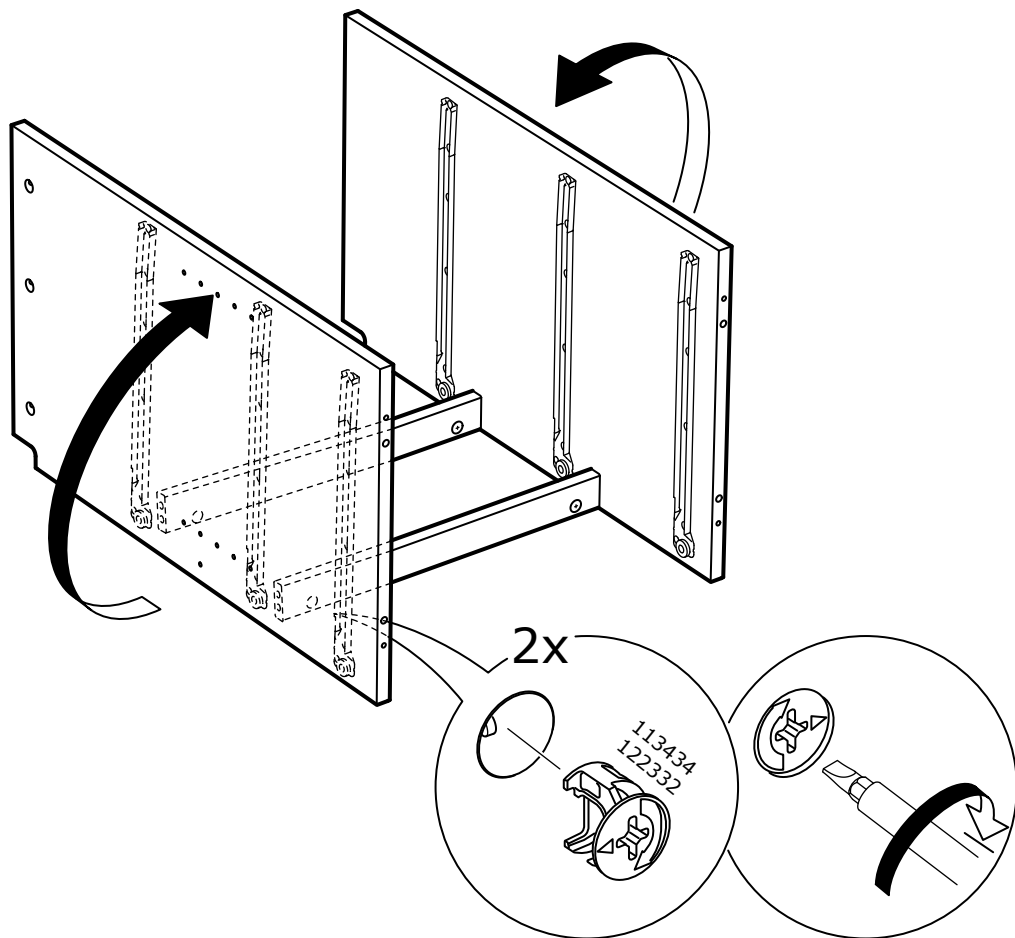
# 11



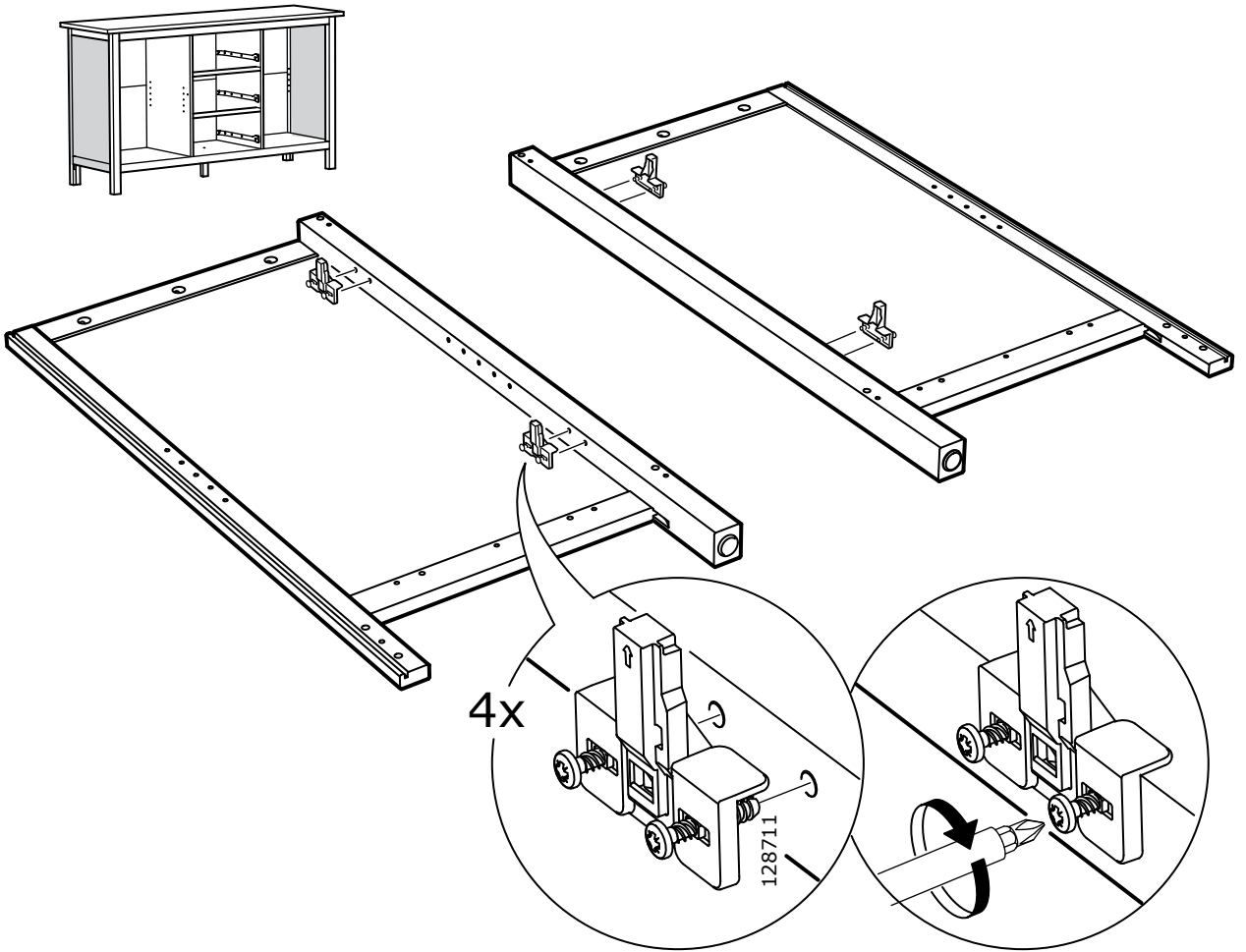
12



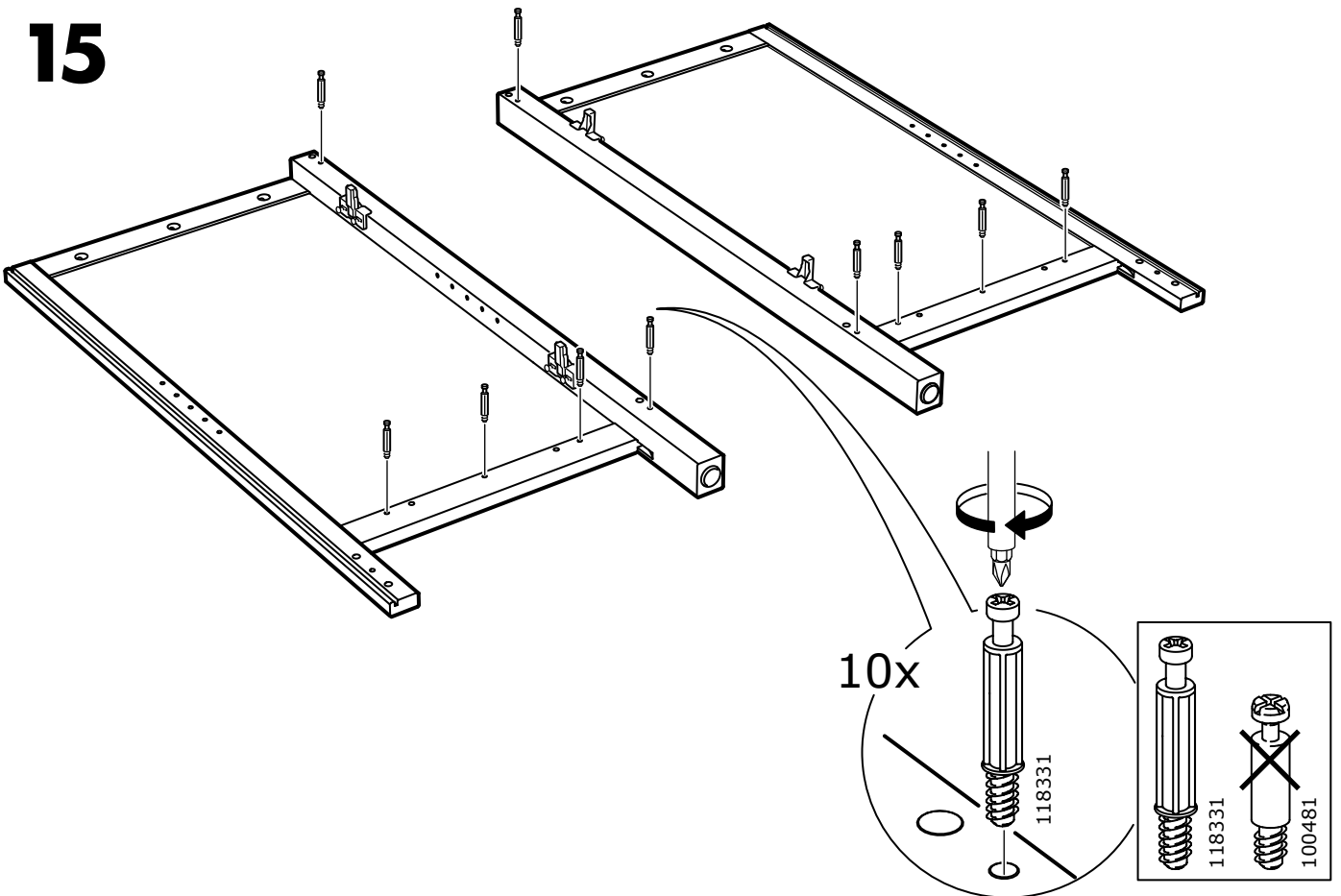
13



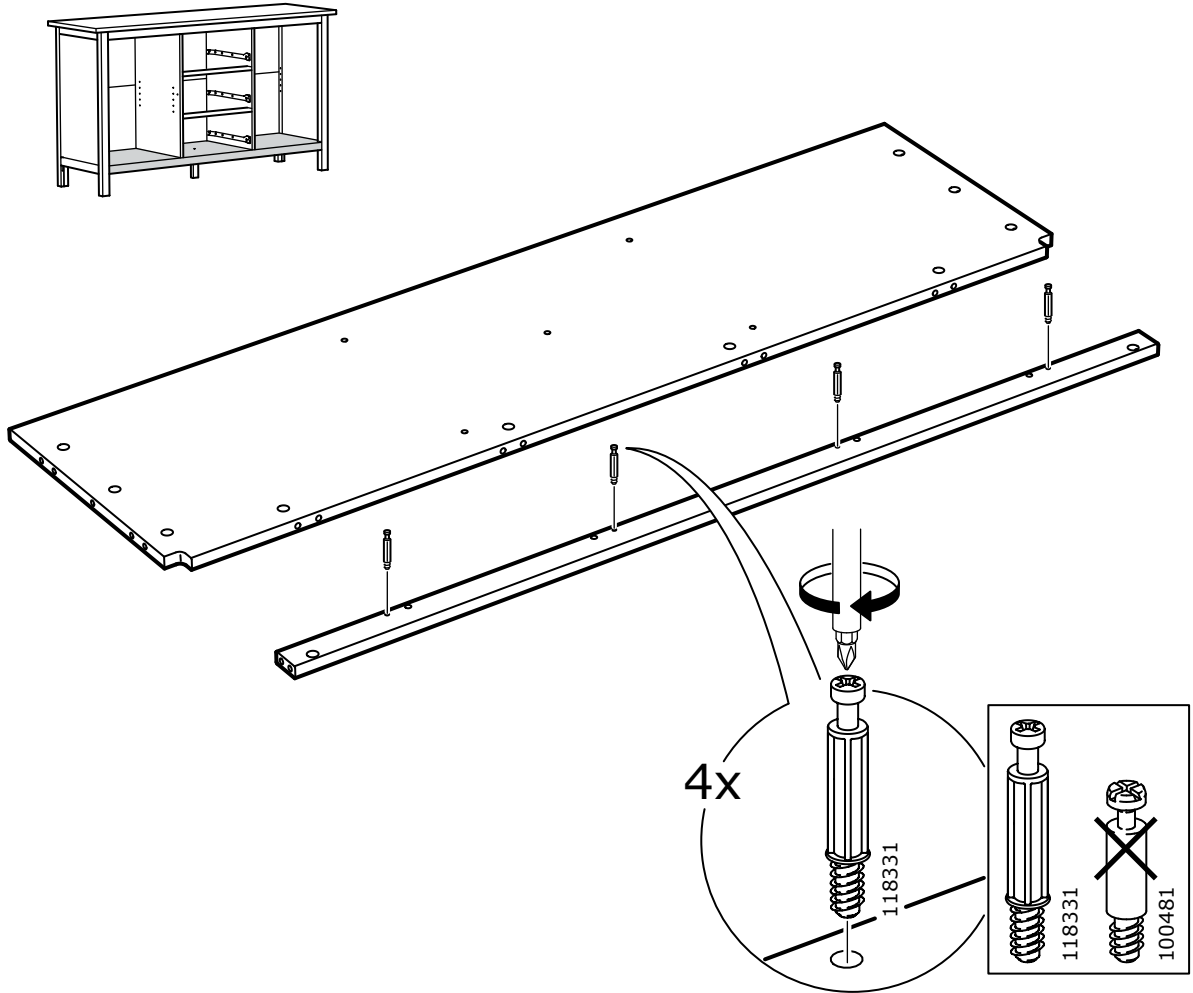
# 14



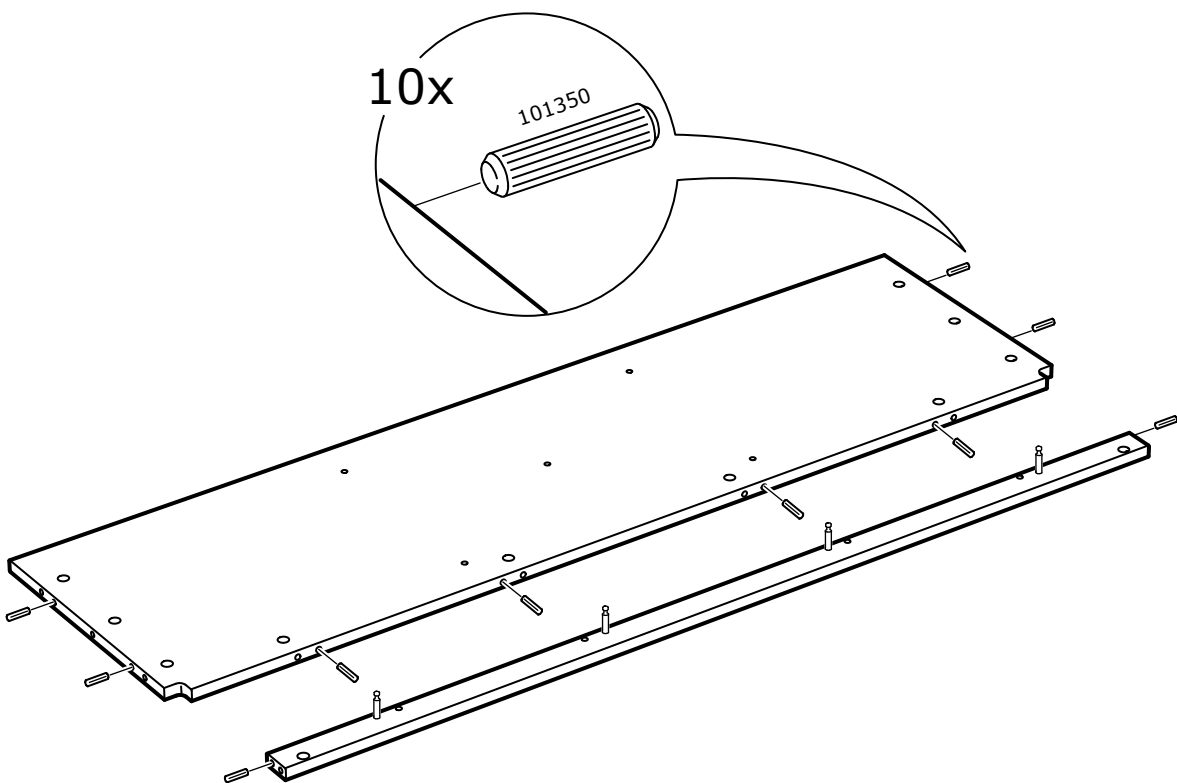
# 15



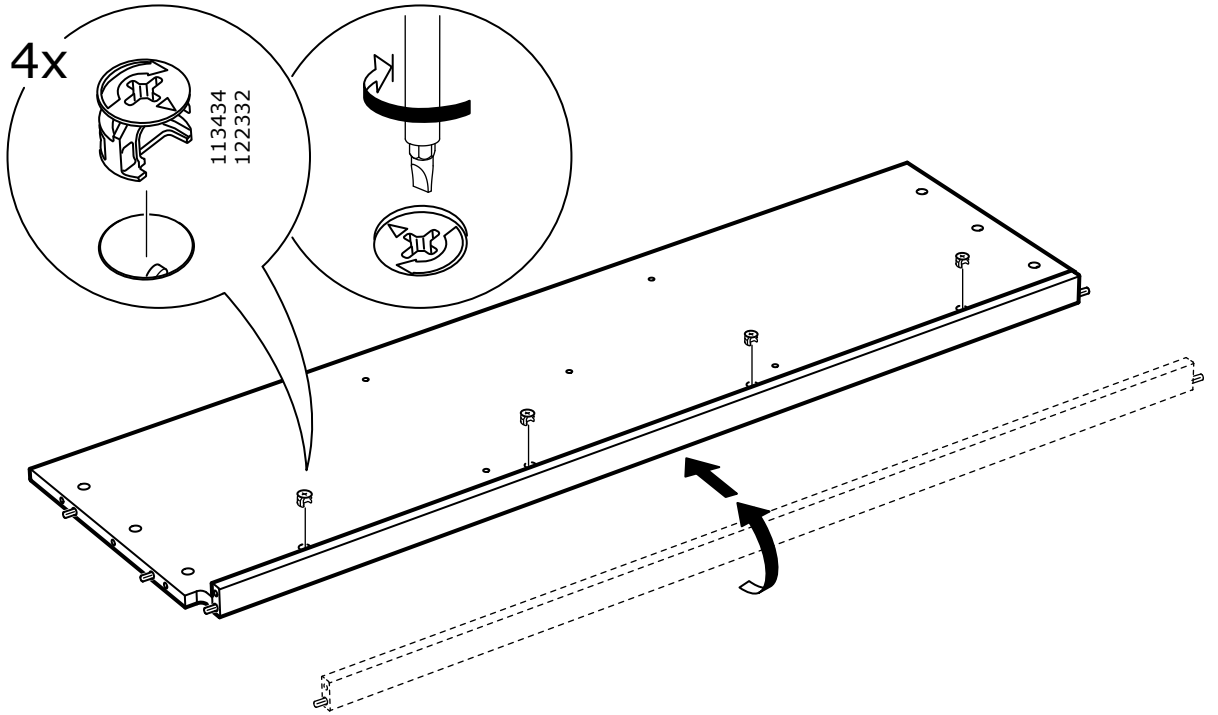
# 16



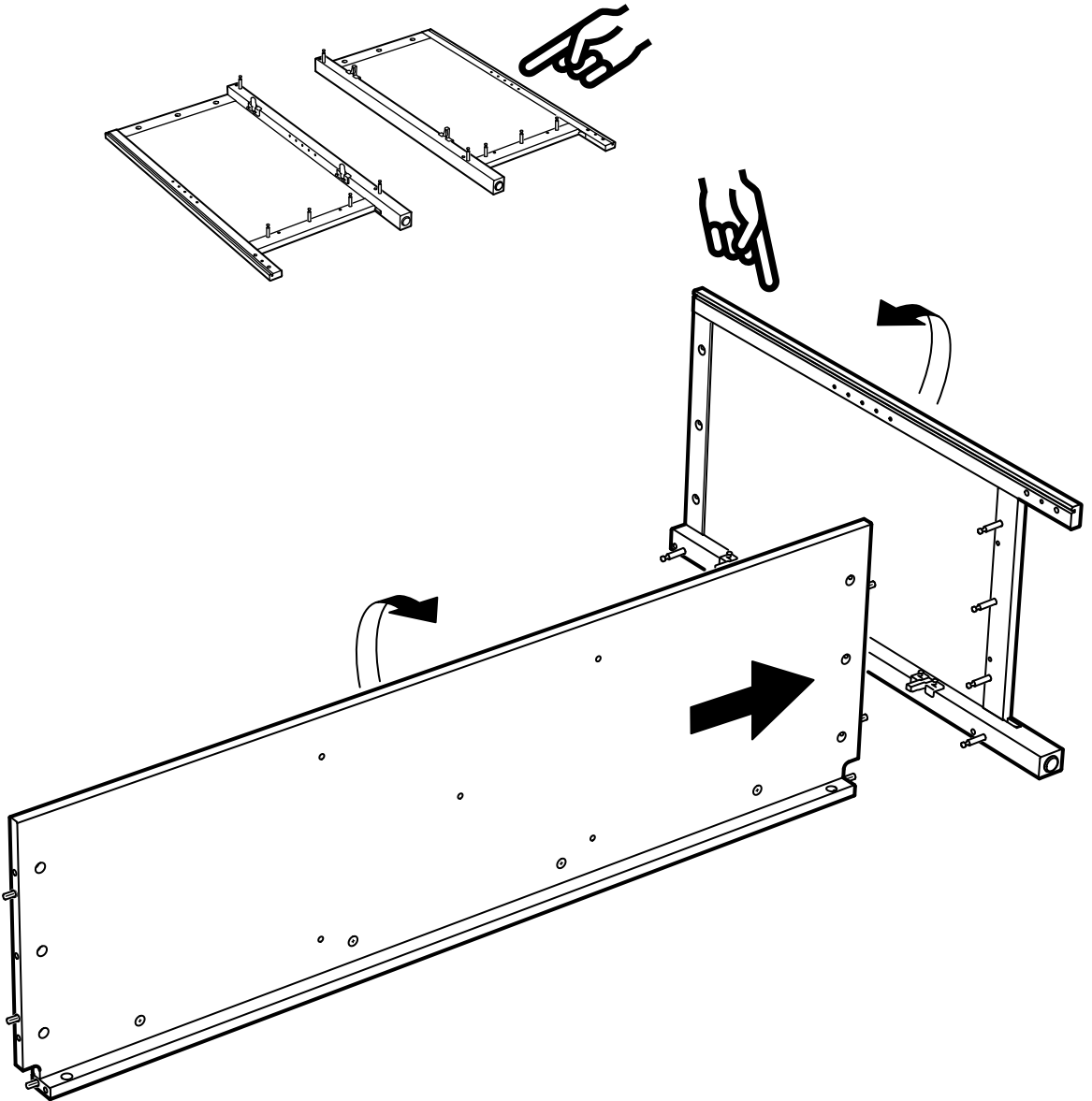
# 17



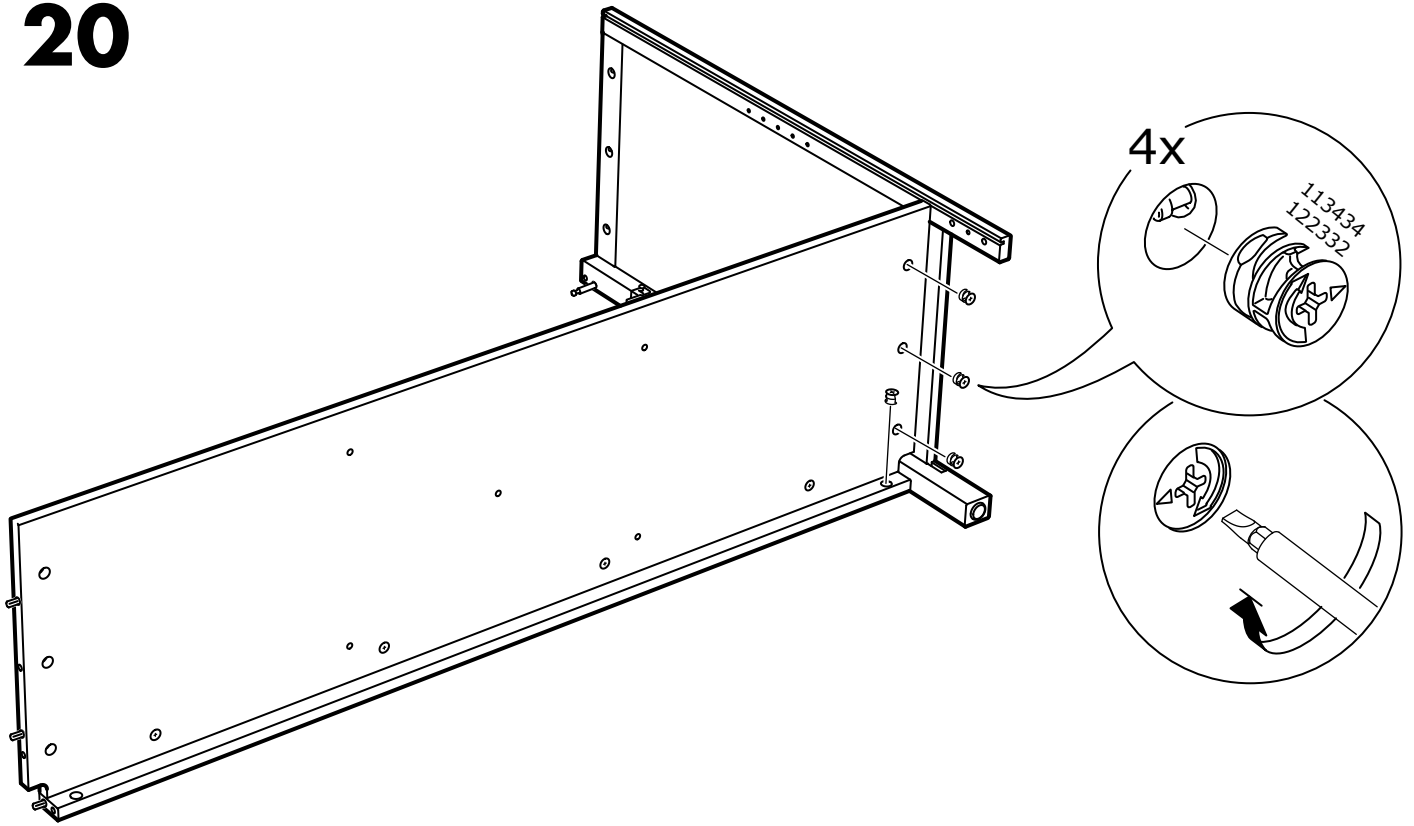
18



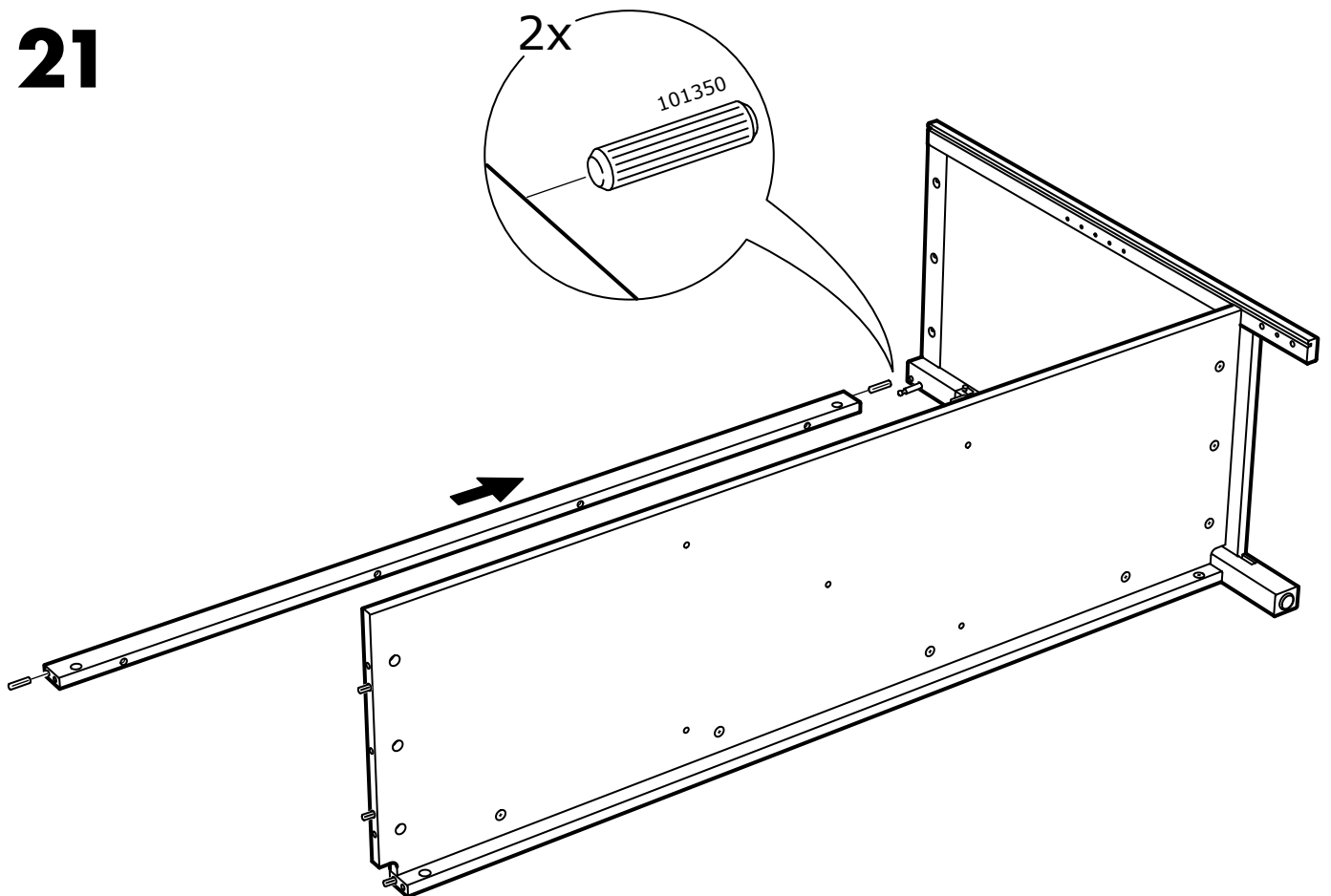
19



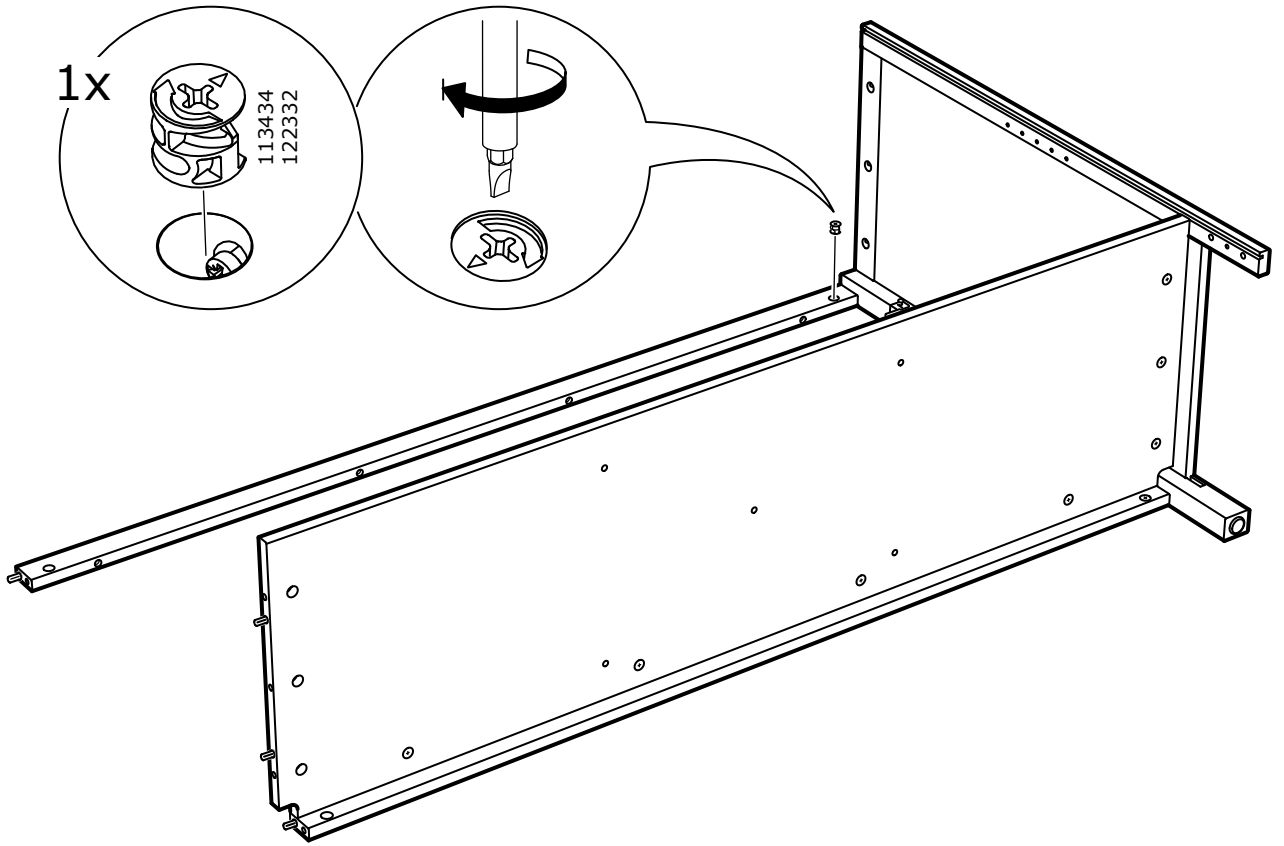
**20**



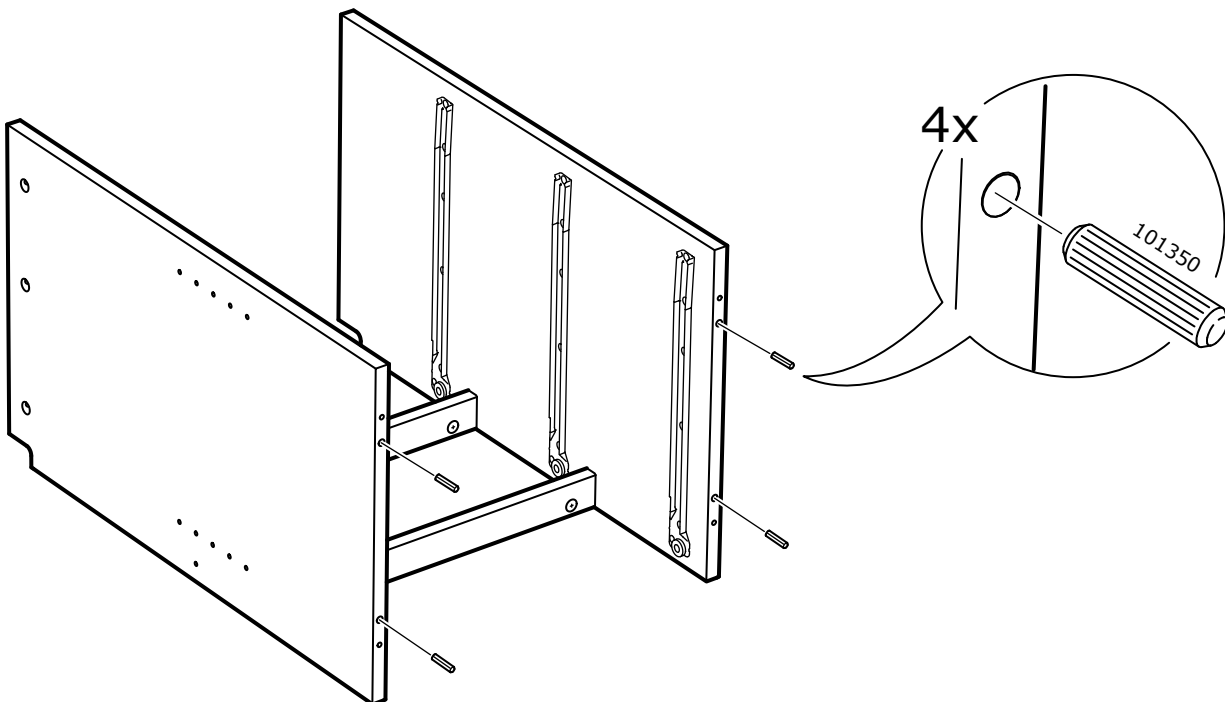
**21**



# 22

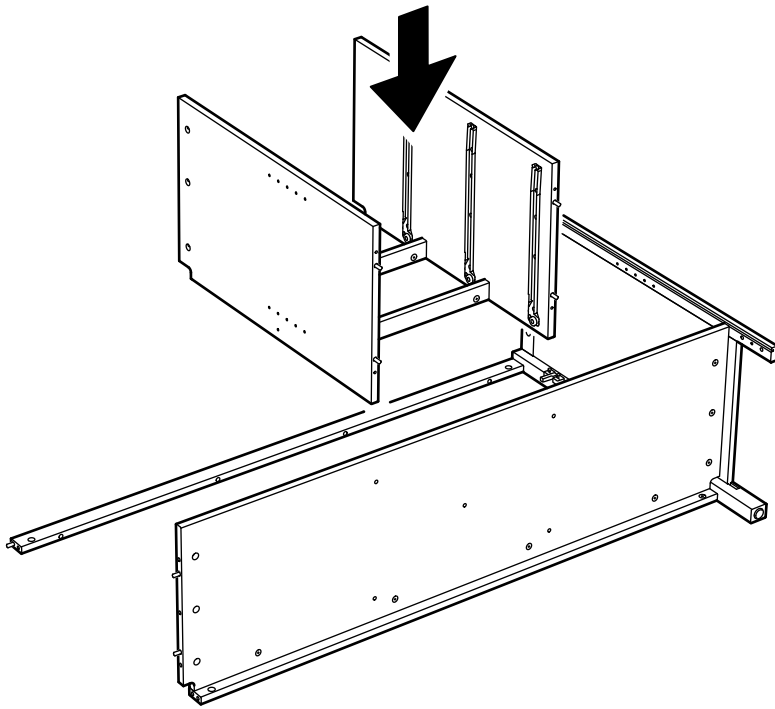


# 23

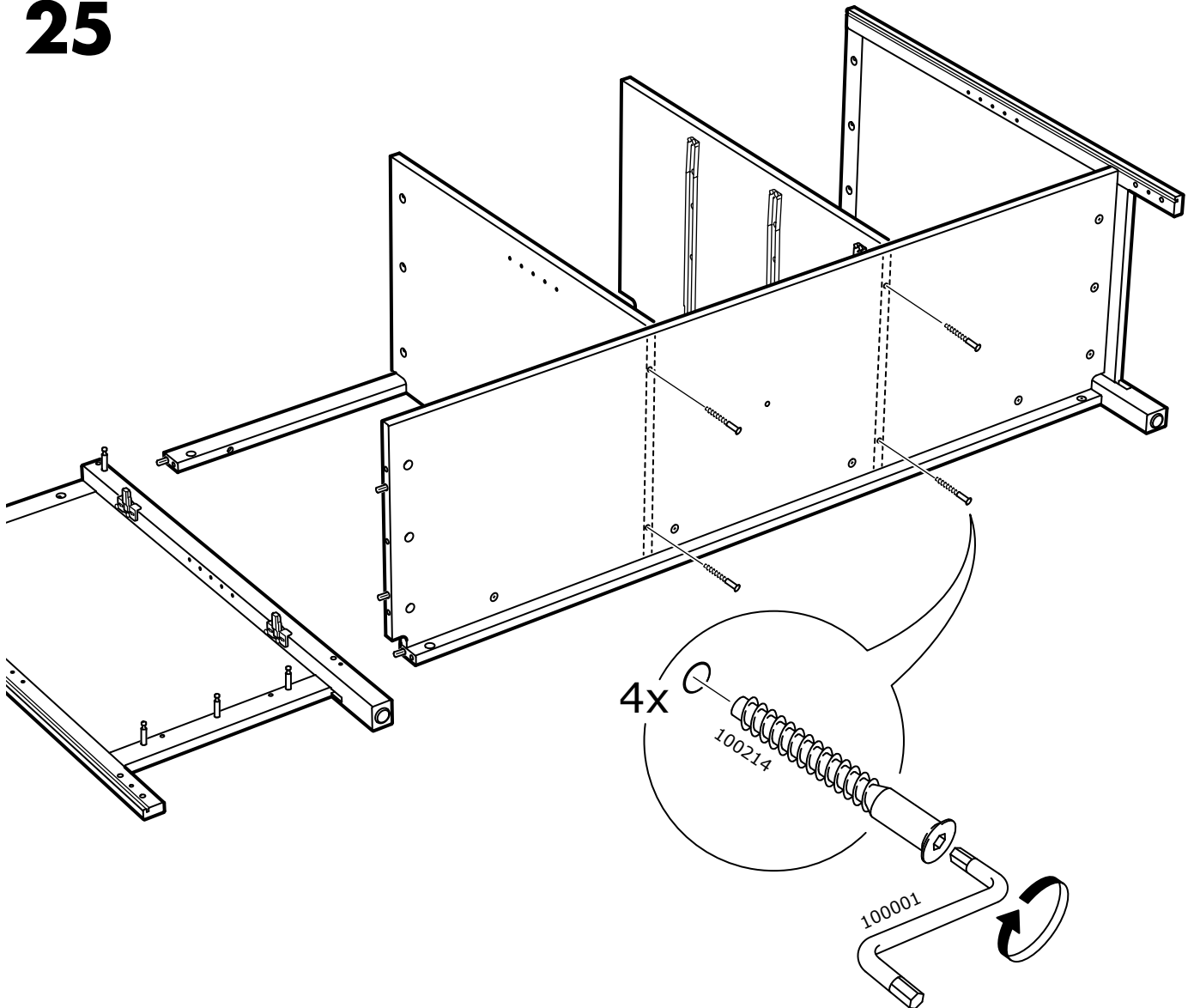




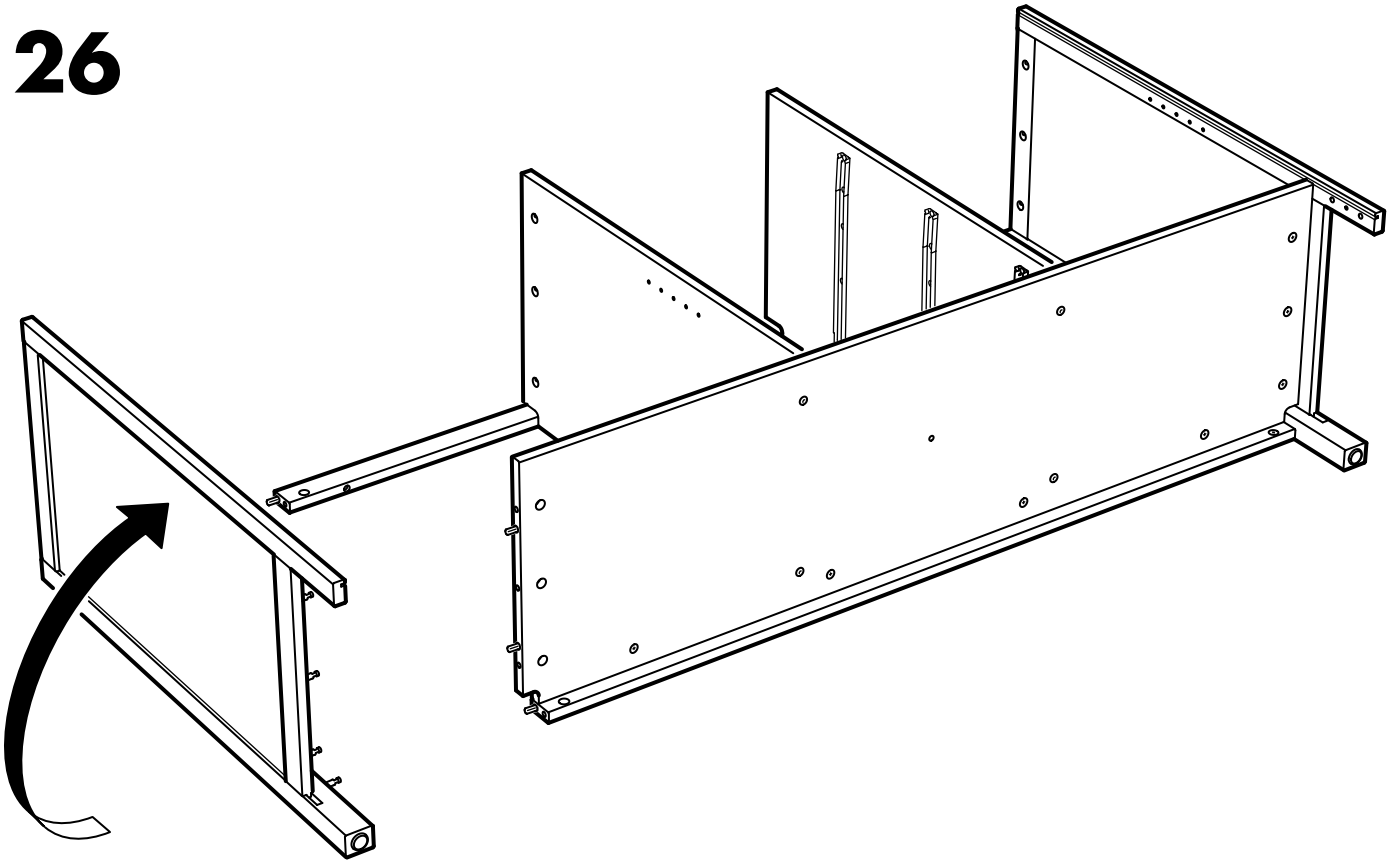
24



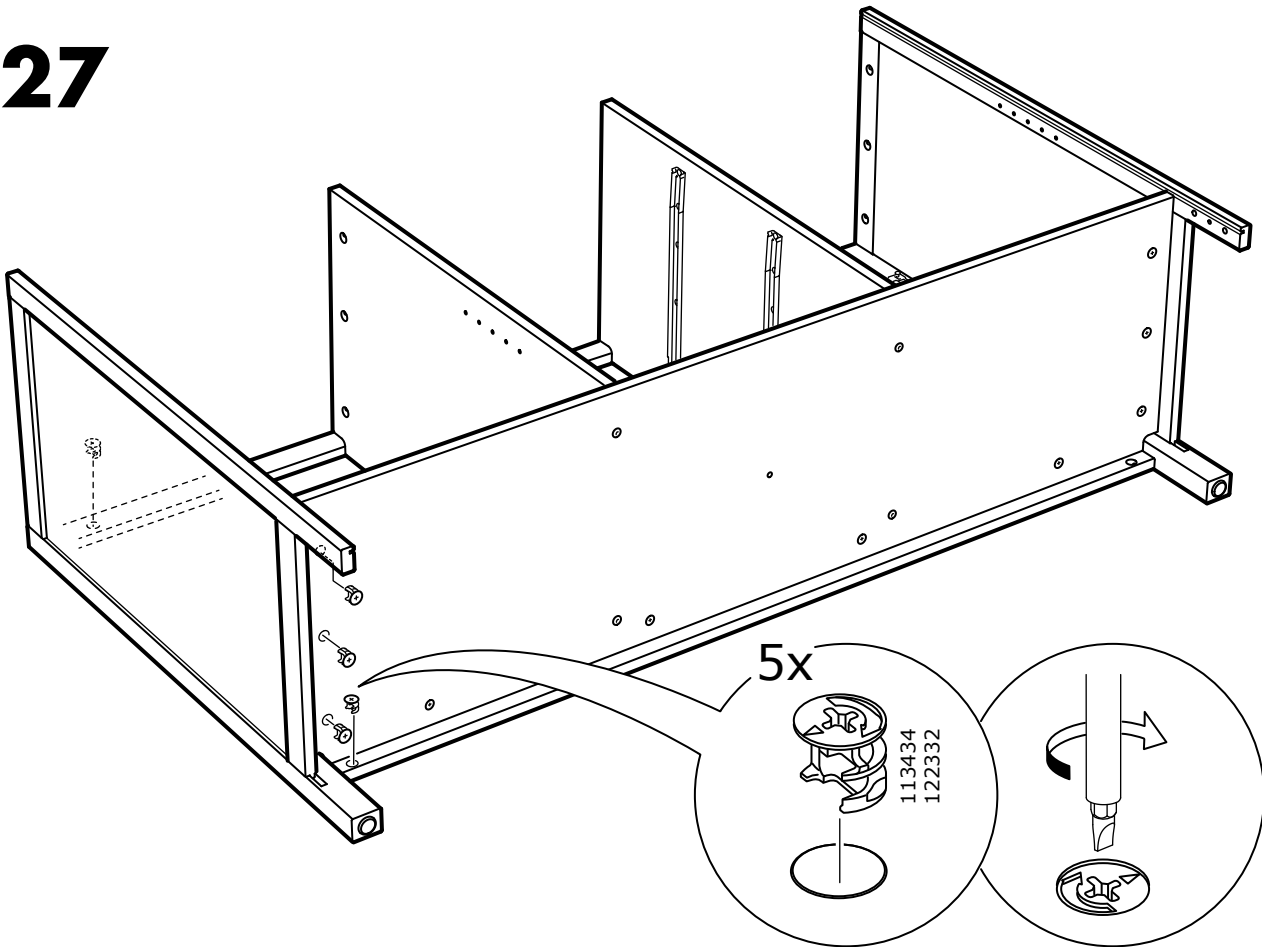
25

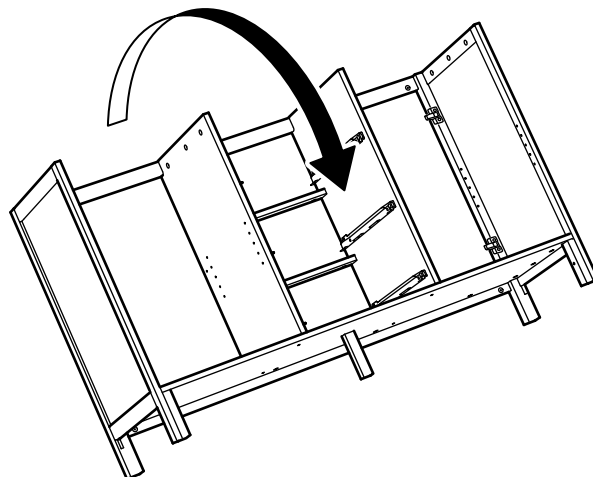
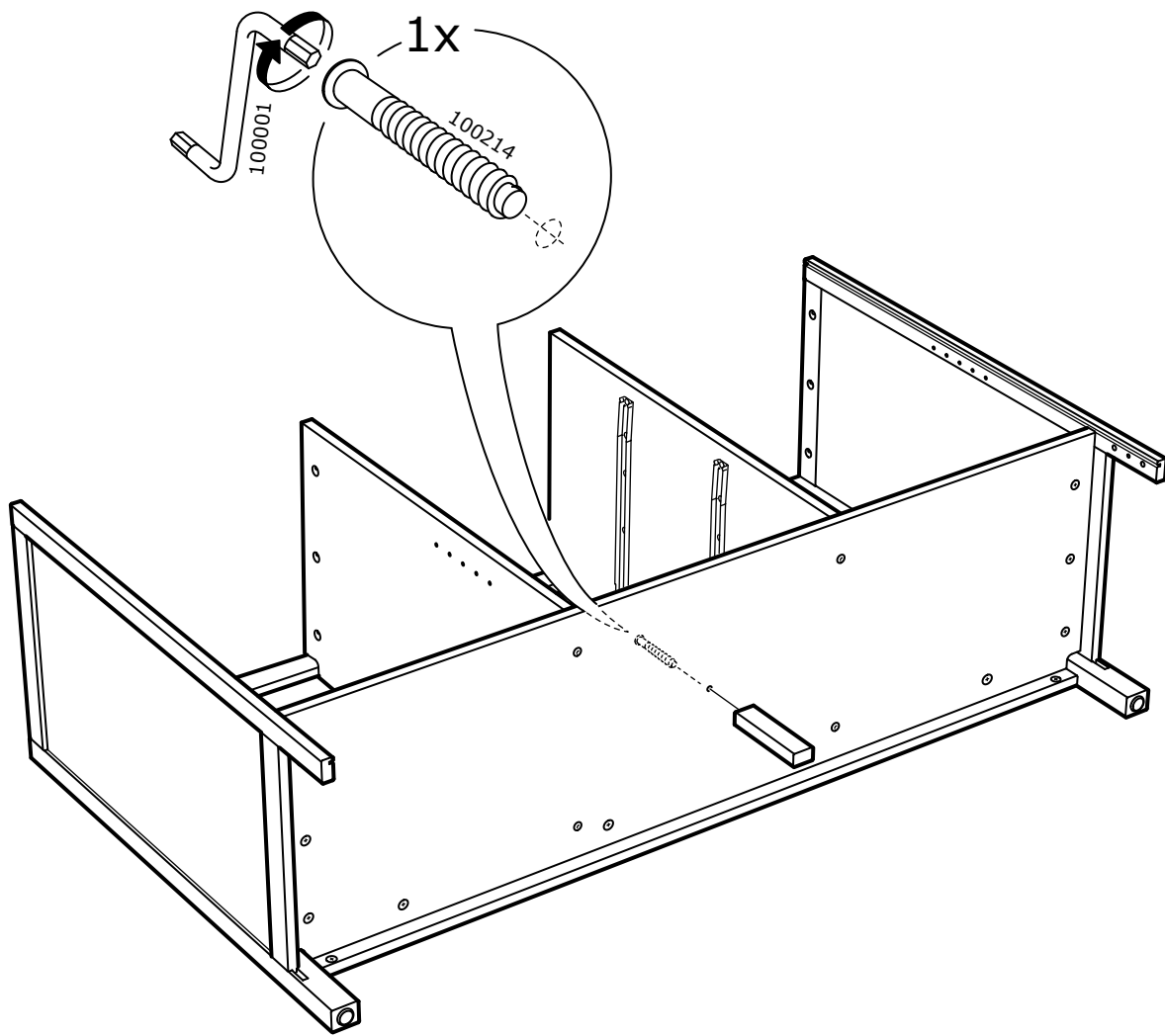


# 26

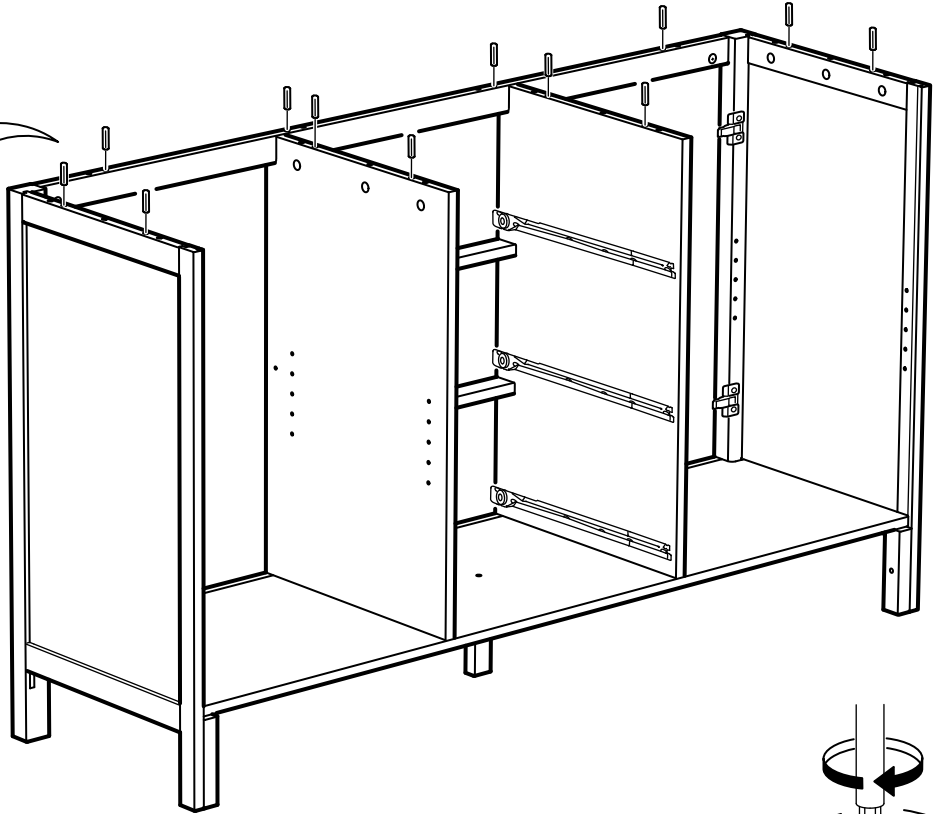
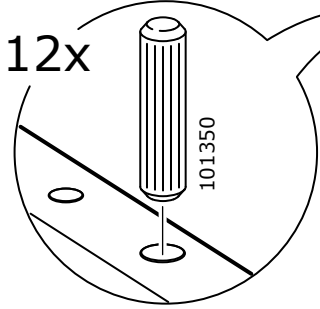


# 27



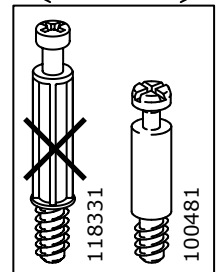
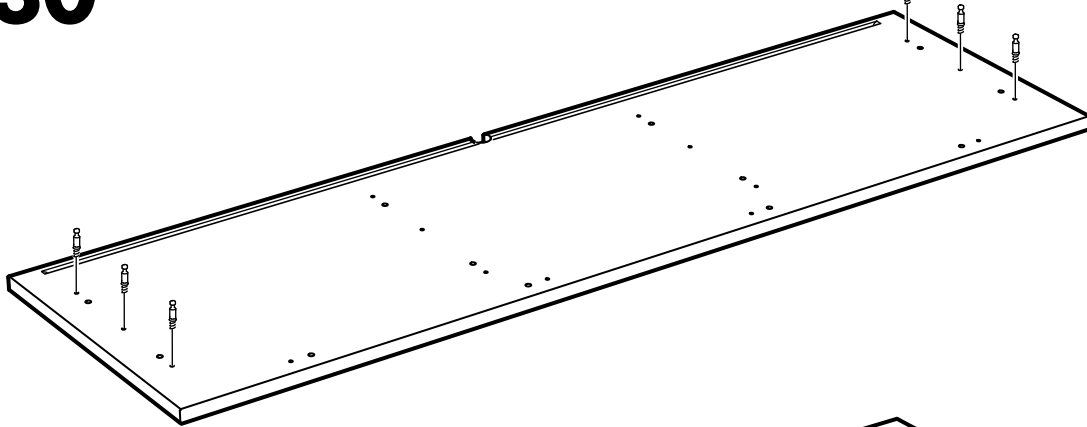
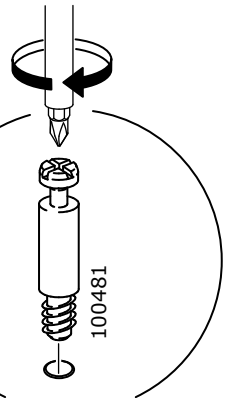


# 29

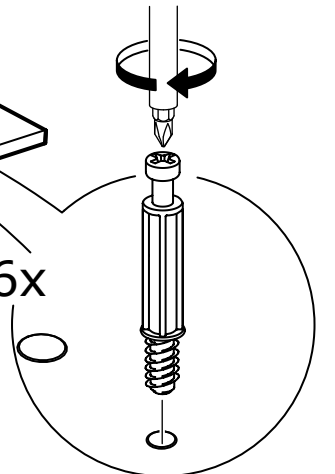


# 30

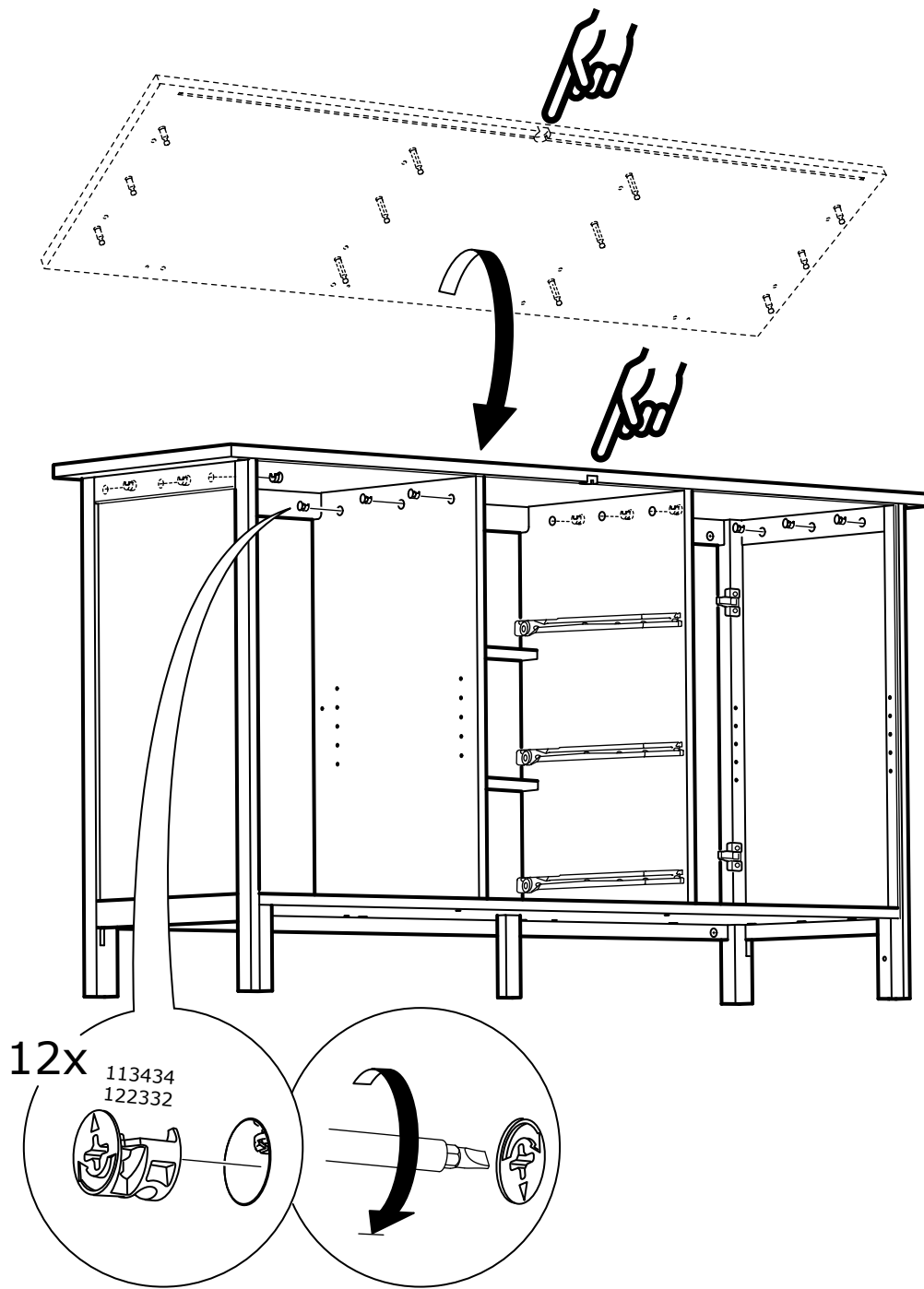
6x

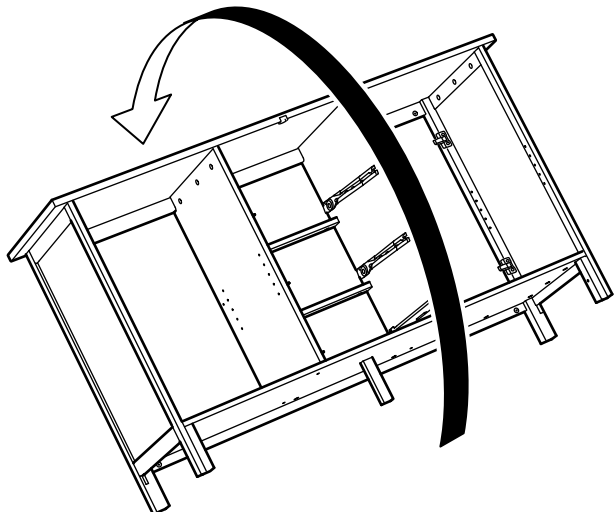
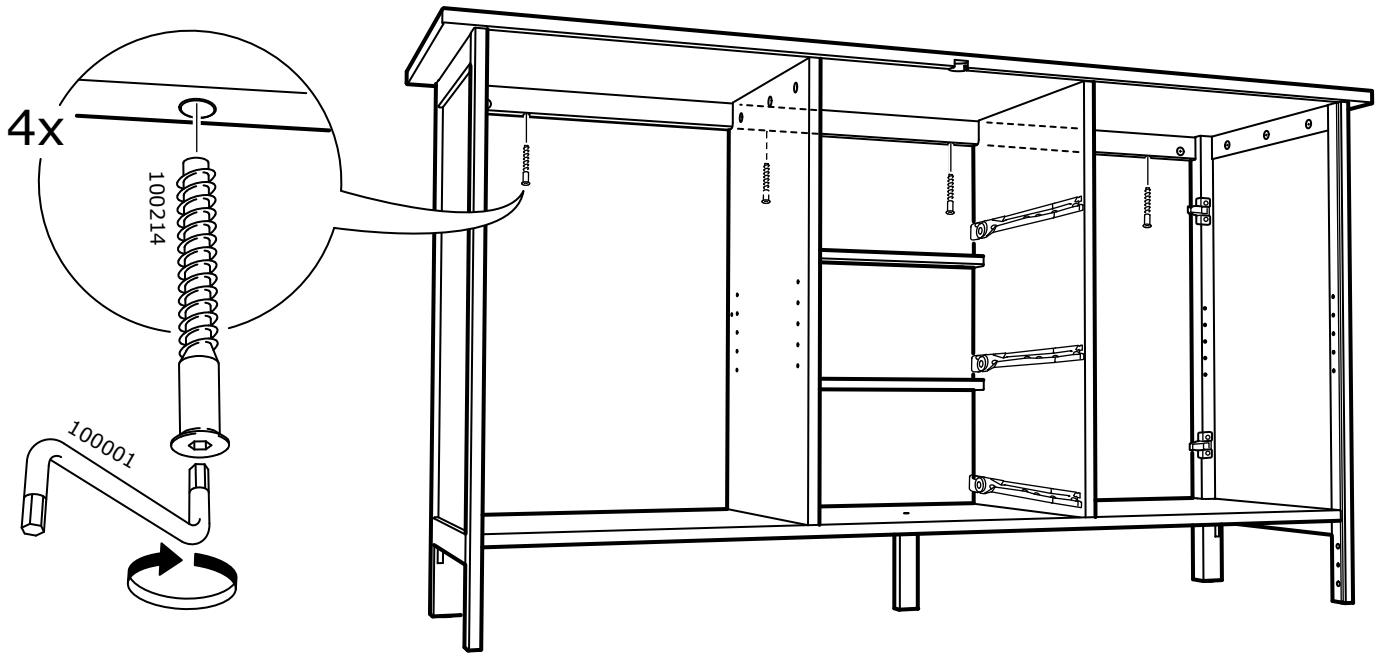


6x

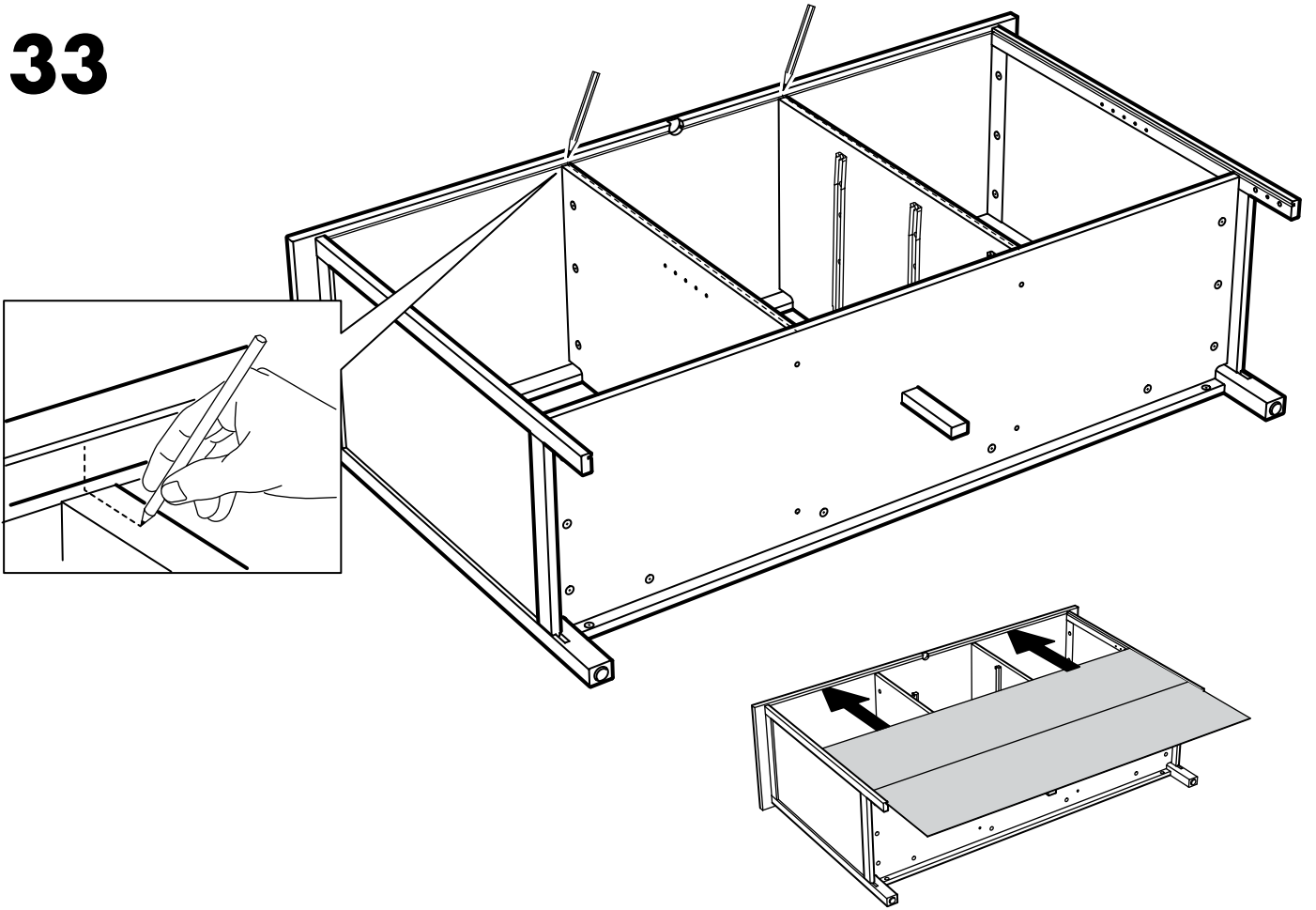


# 31

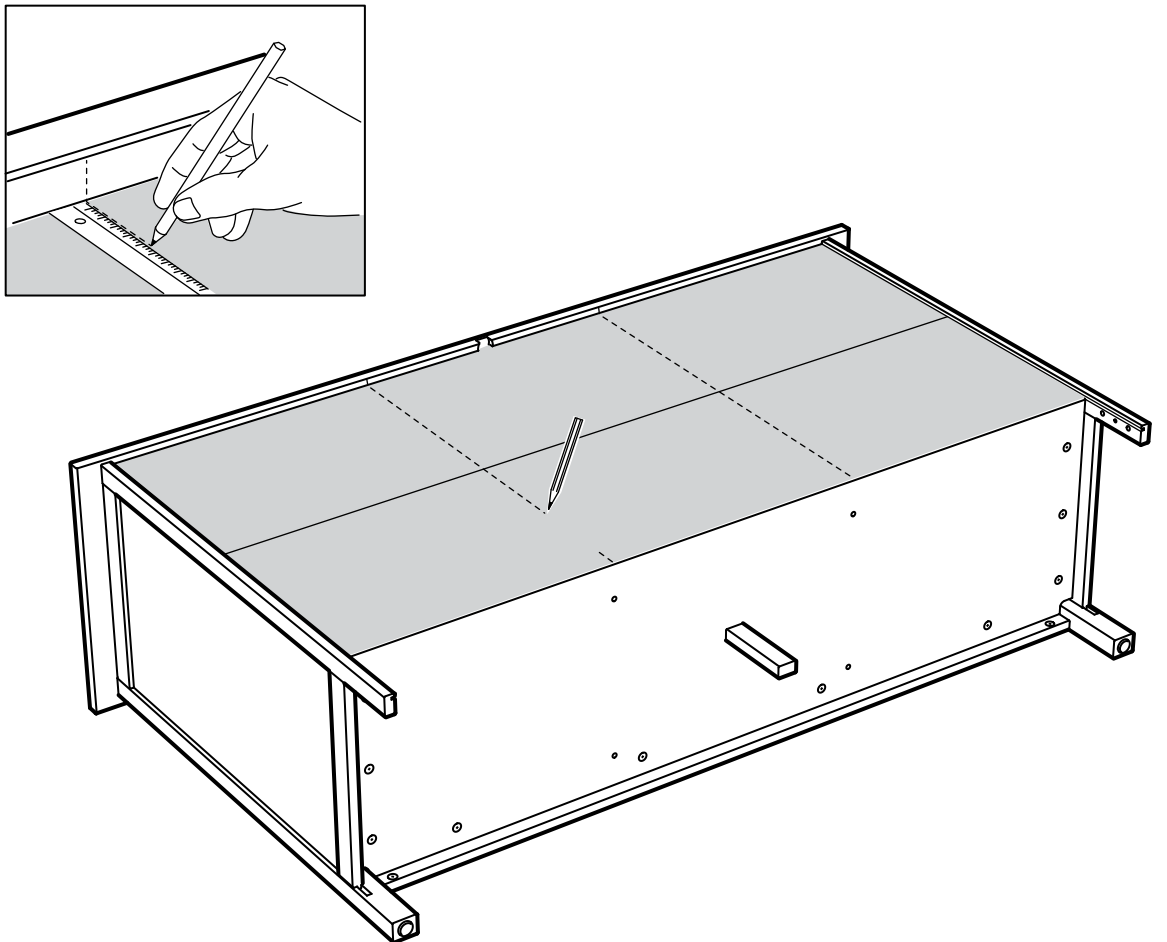




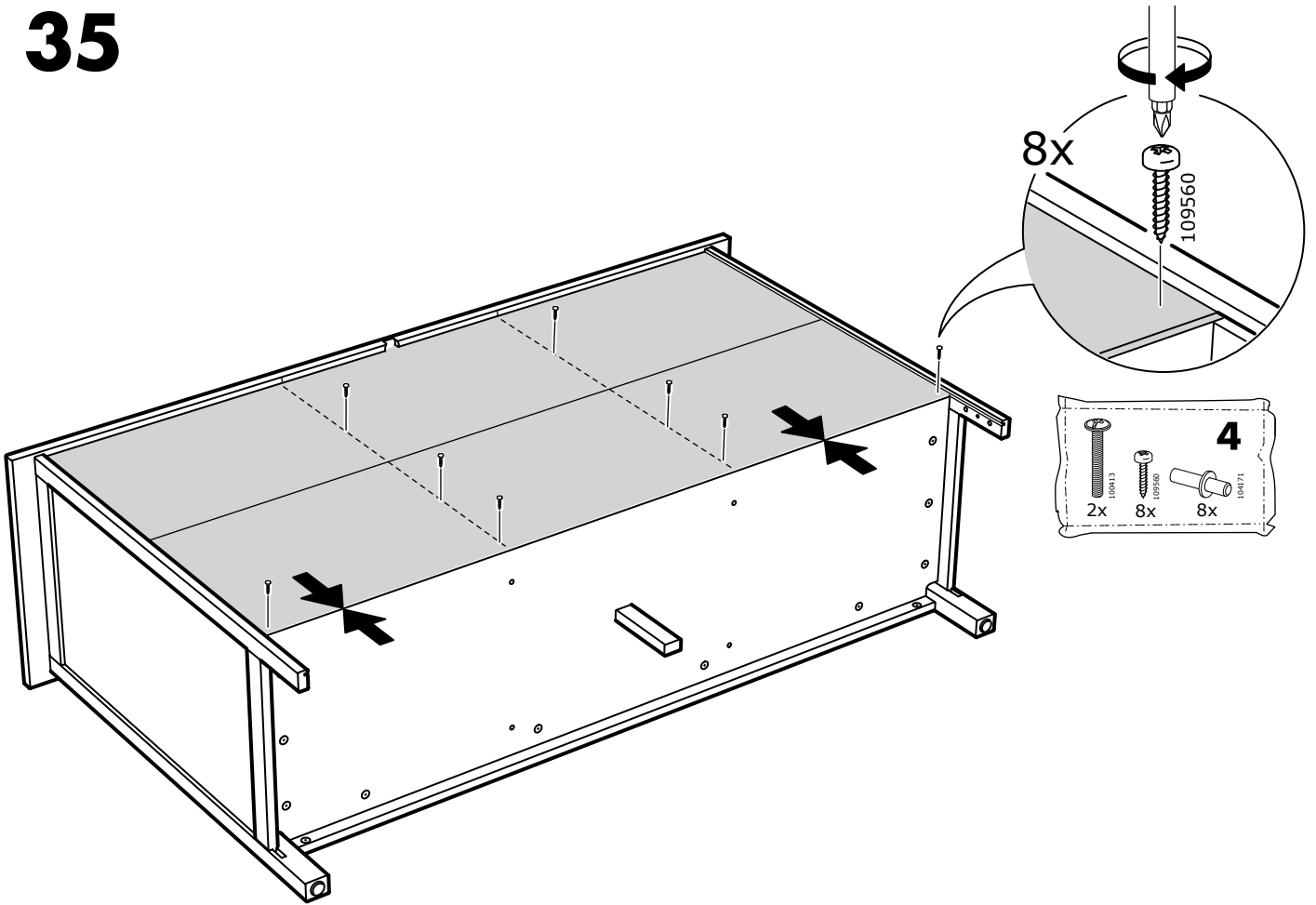
**33**



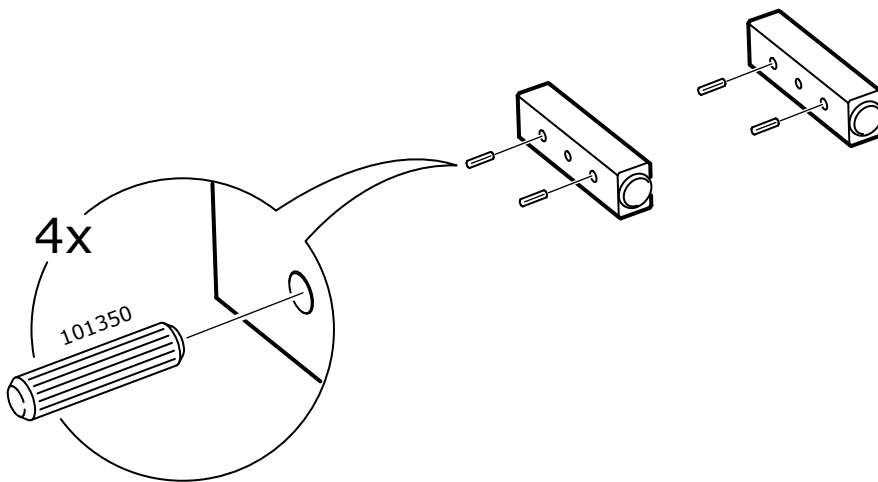
**34**



# 35

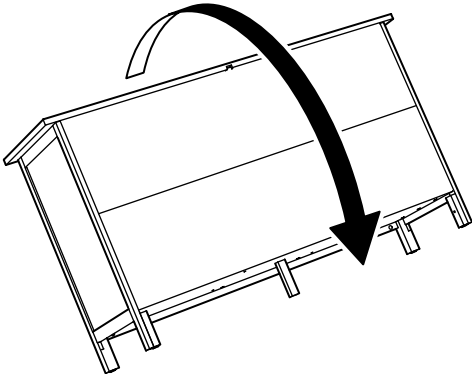
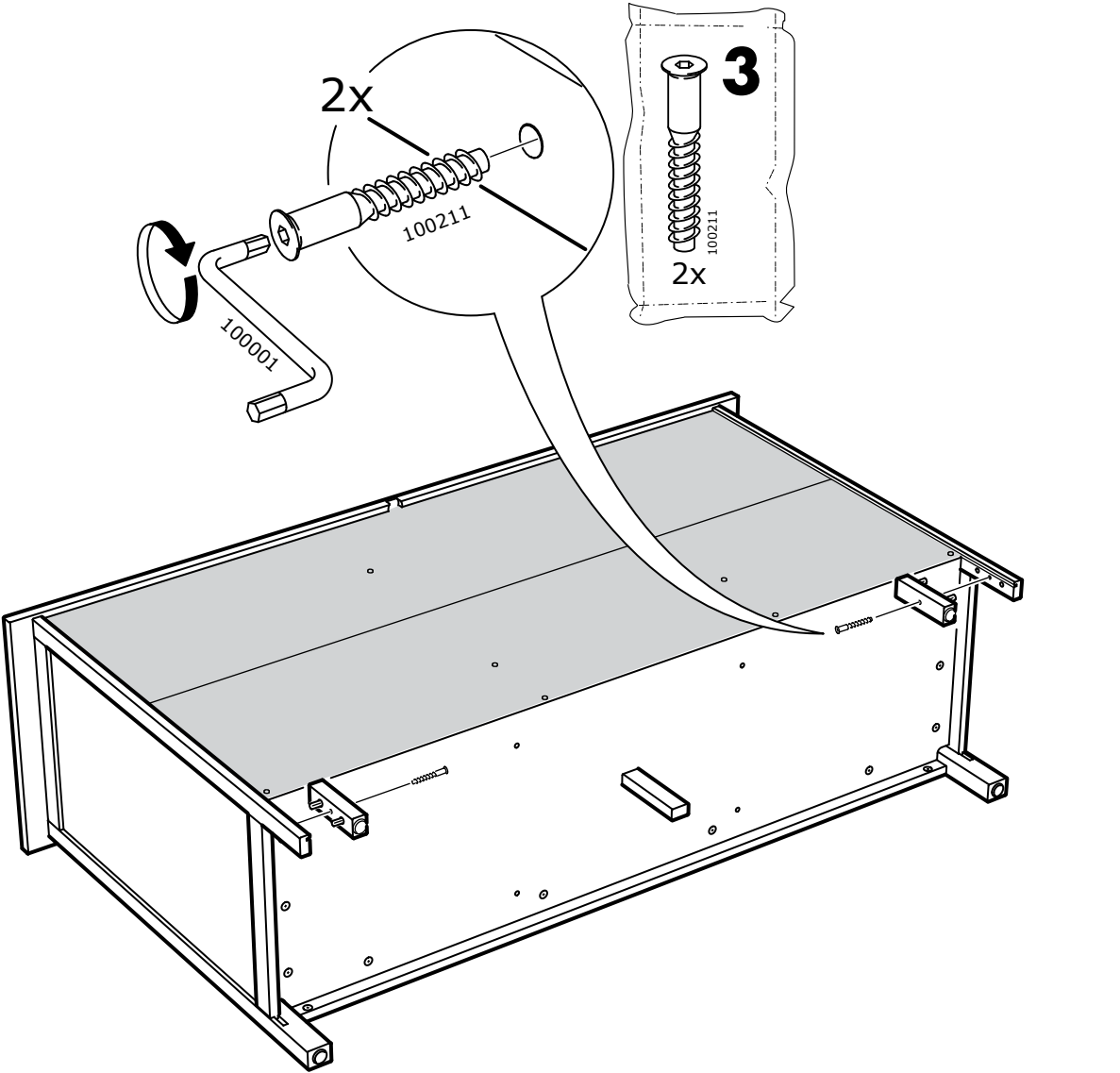


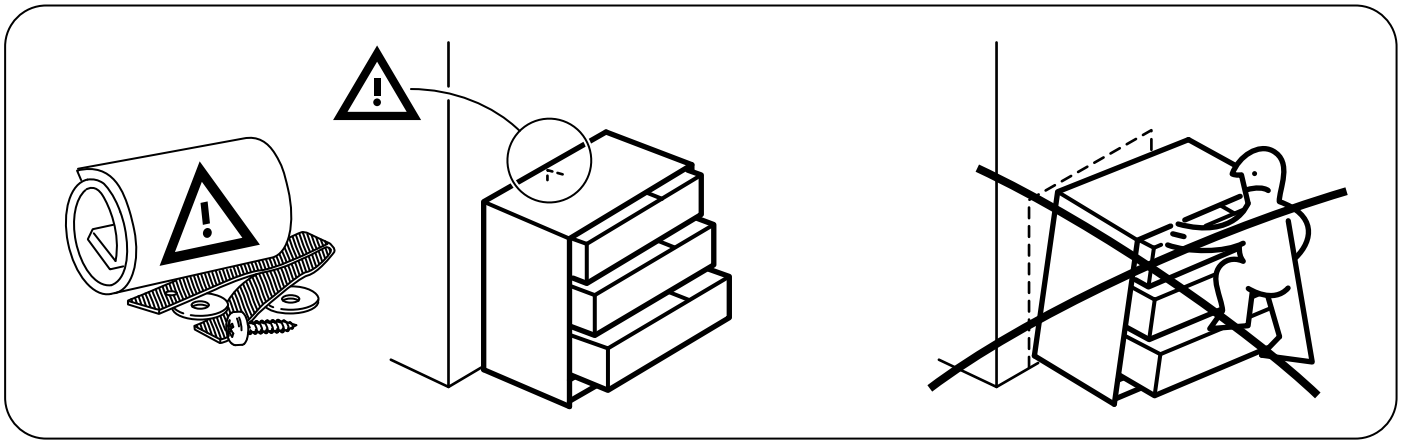
# 36



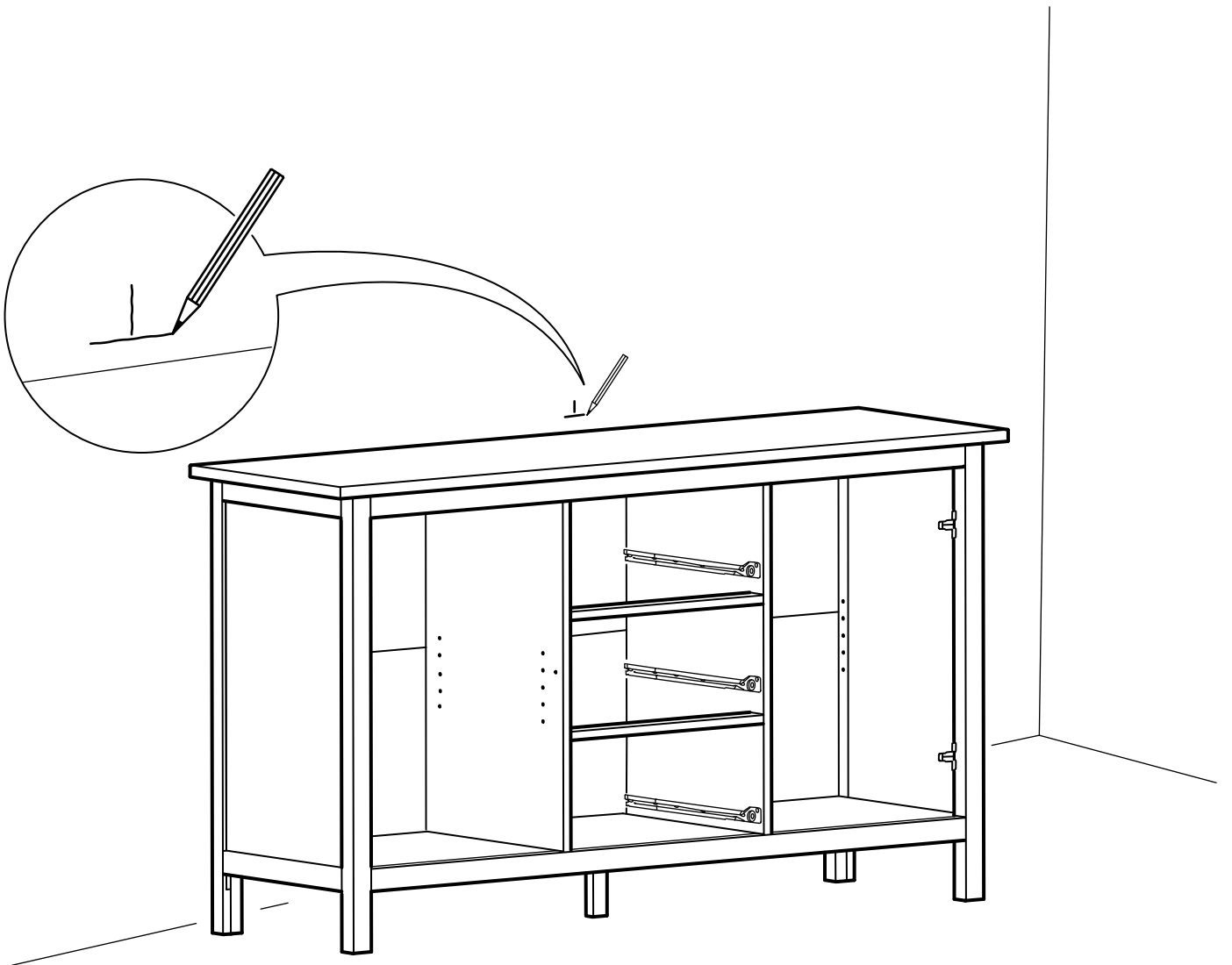


# 37

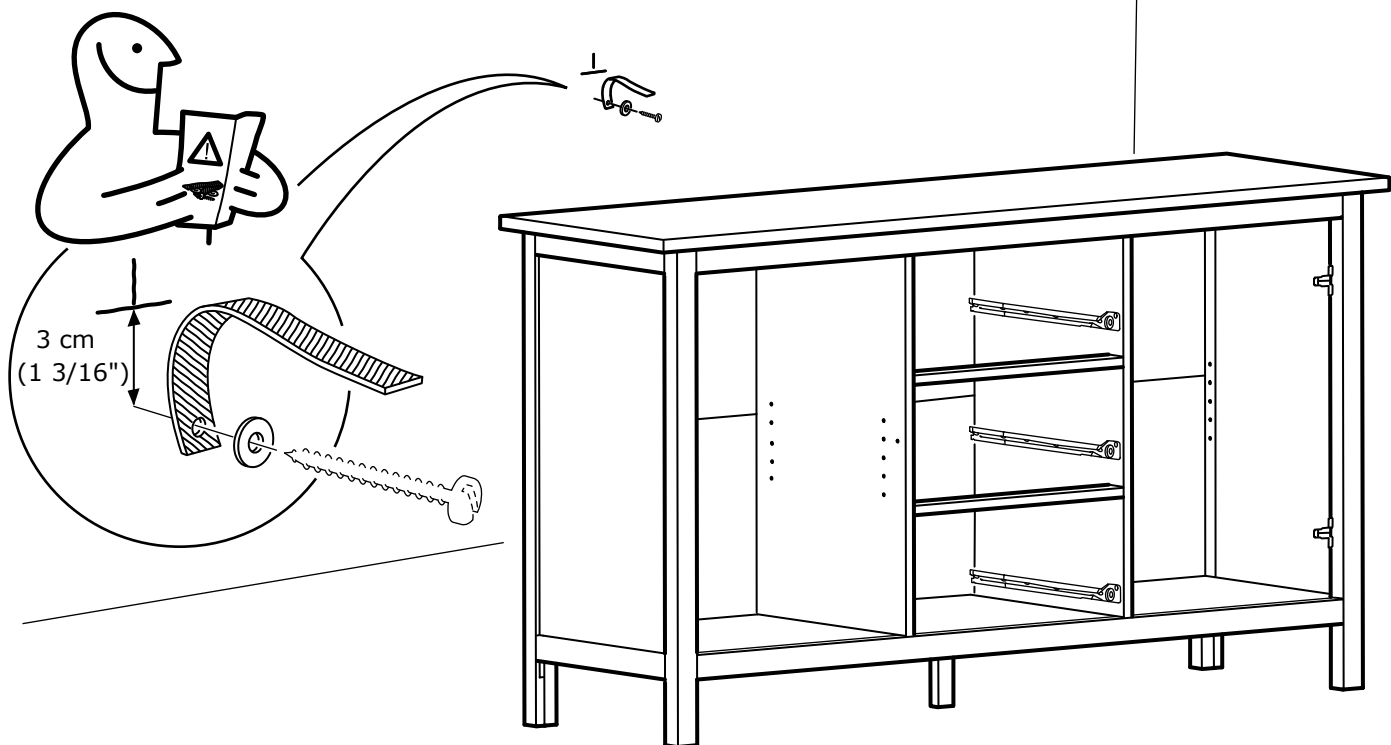




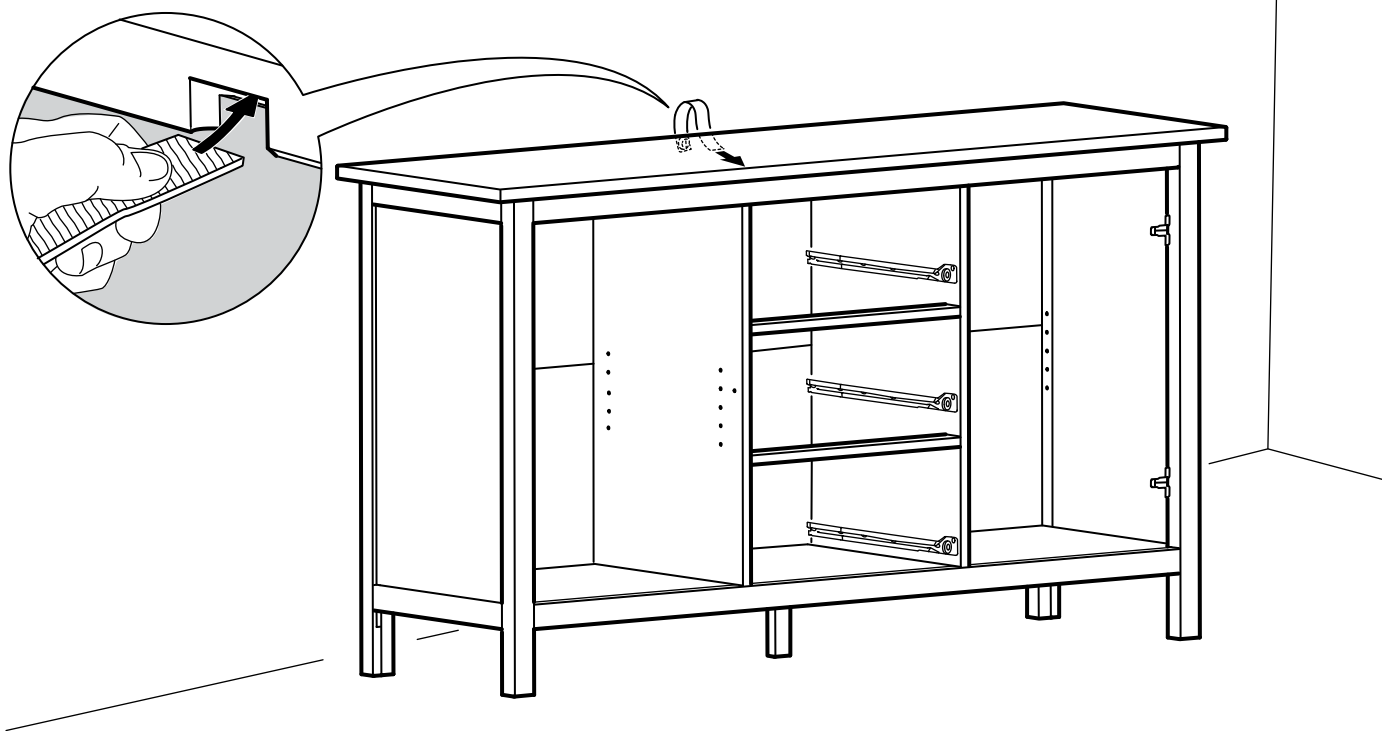
# 38



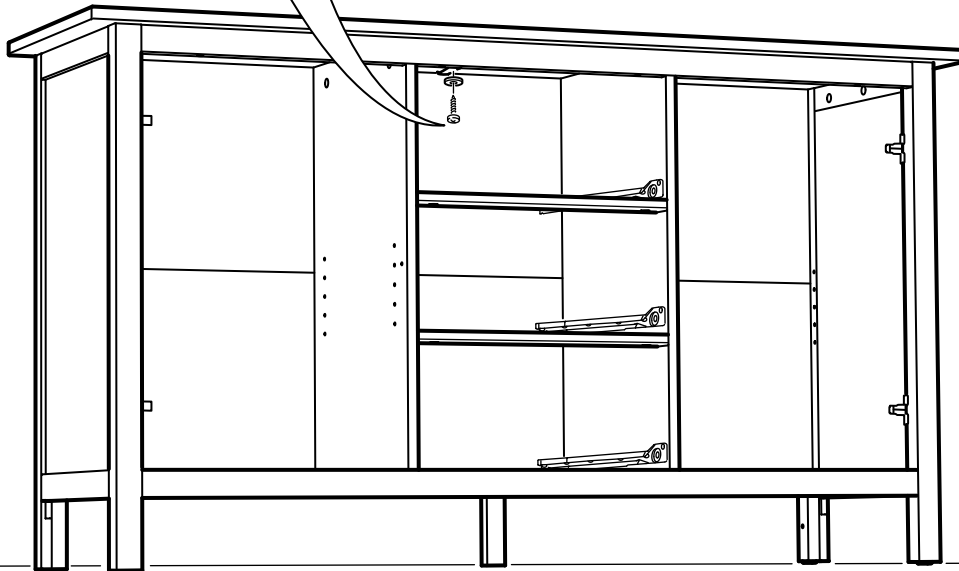
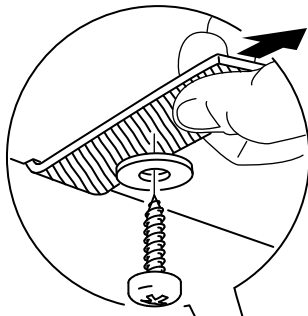
# 39



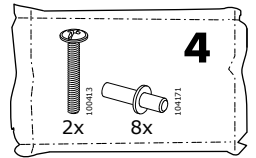
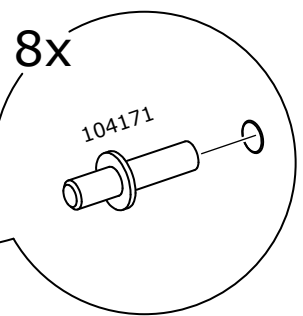
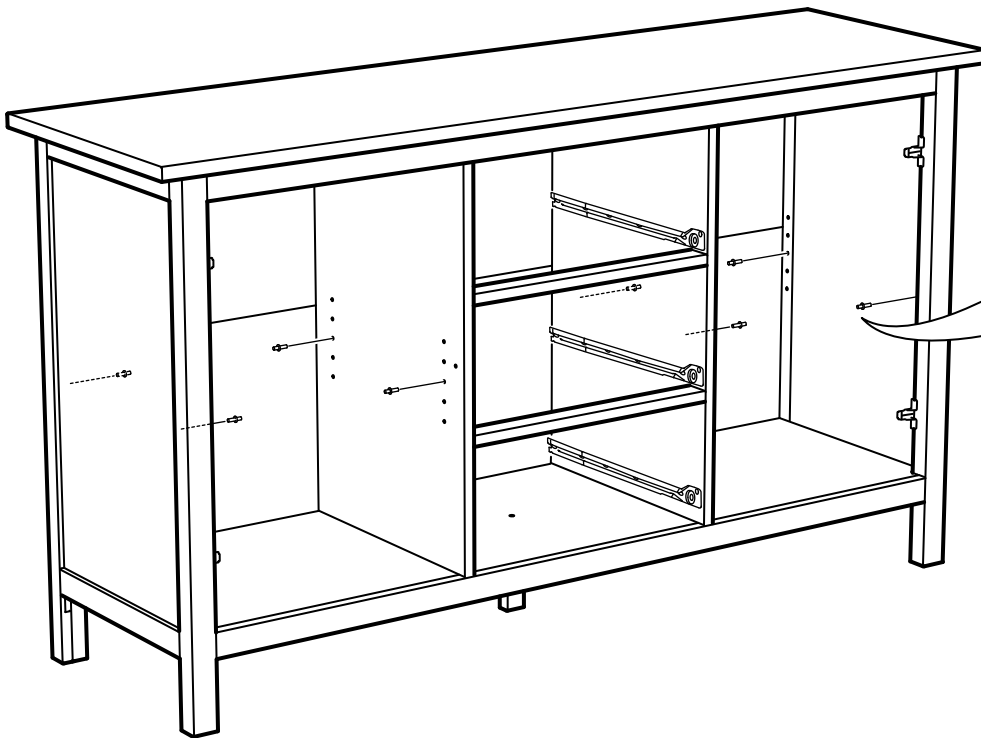
# 40



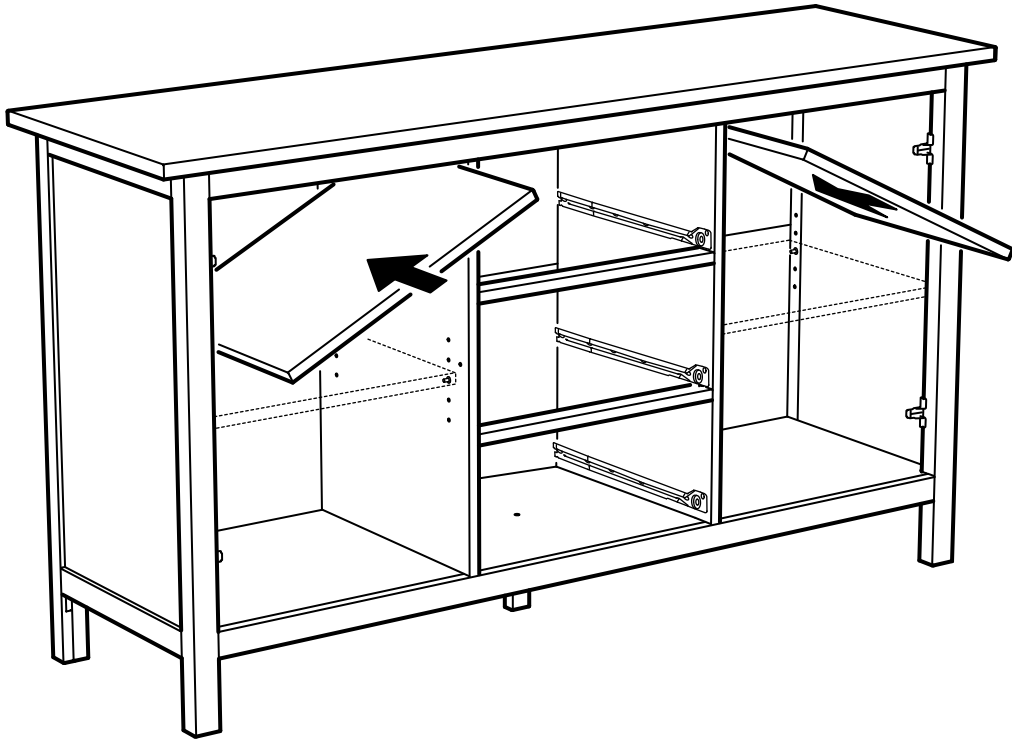
# 41



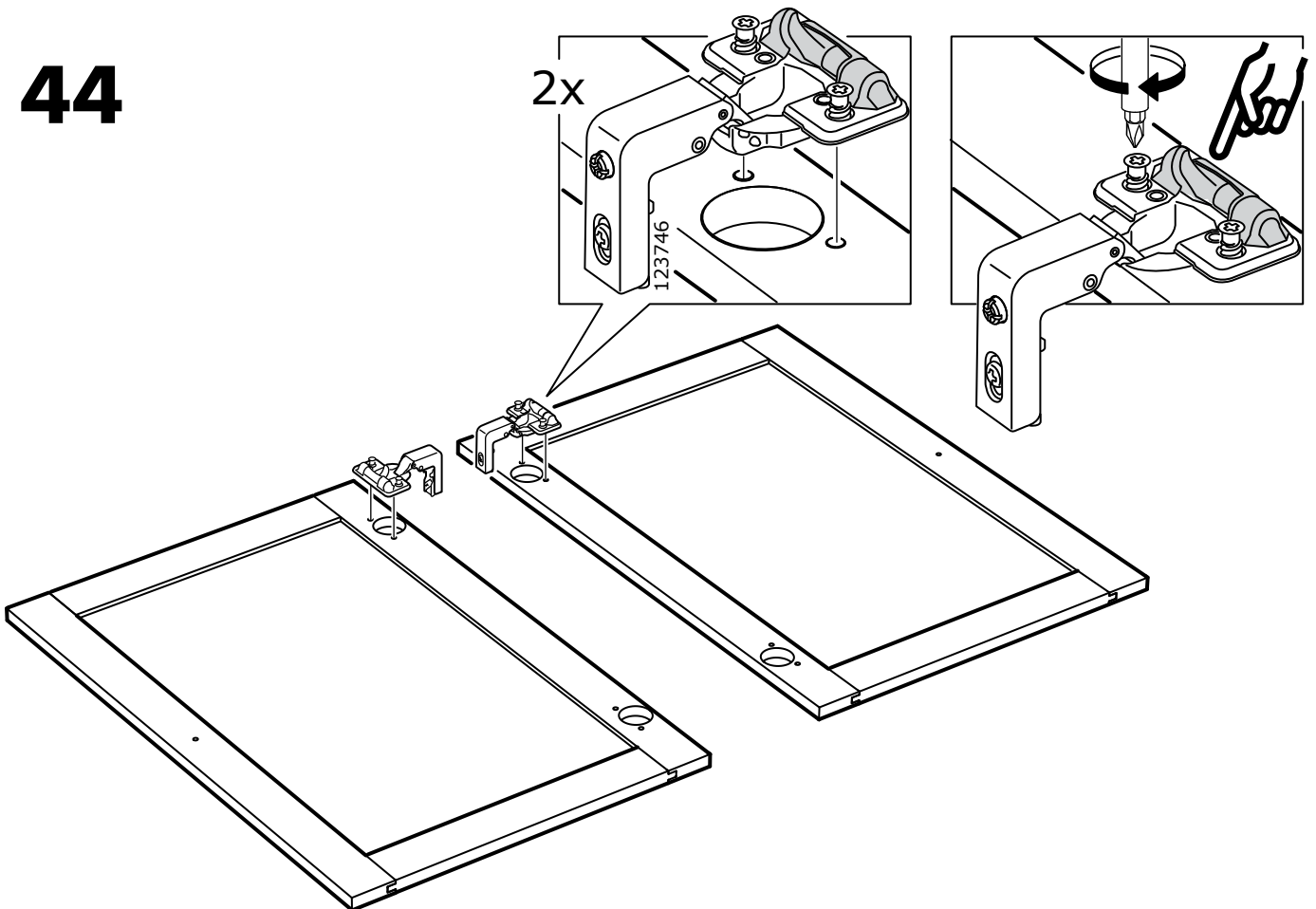
# 42

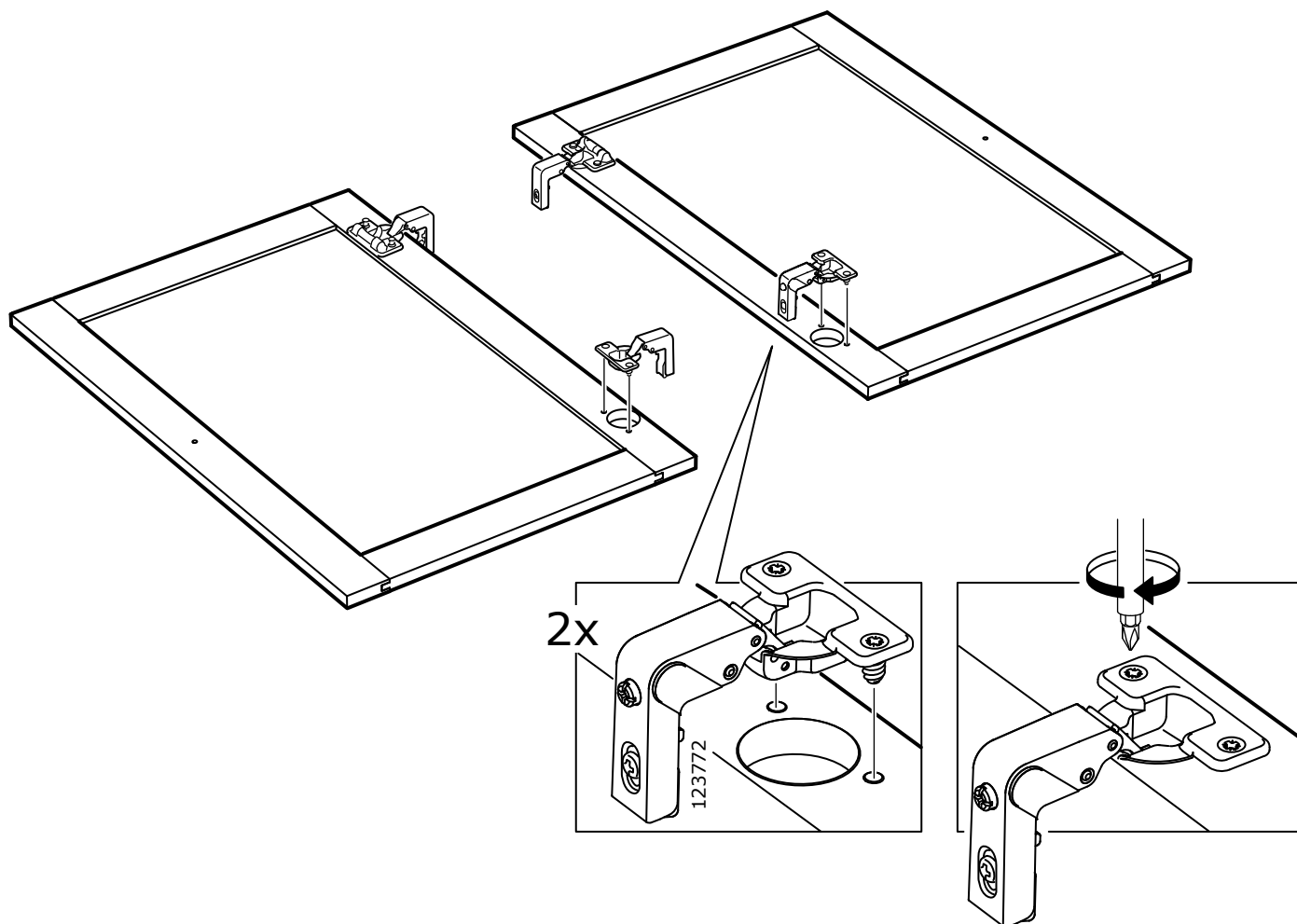


43

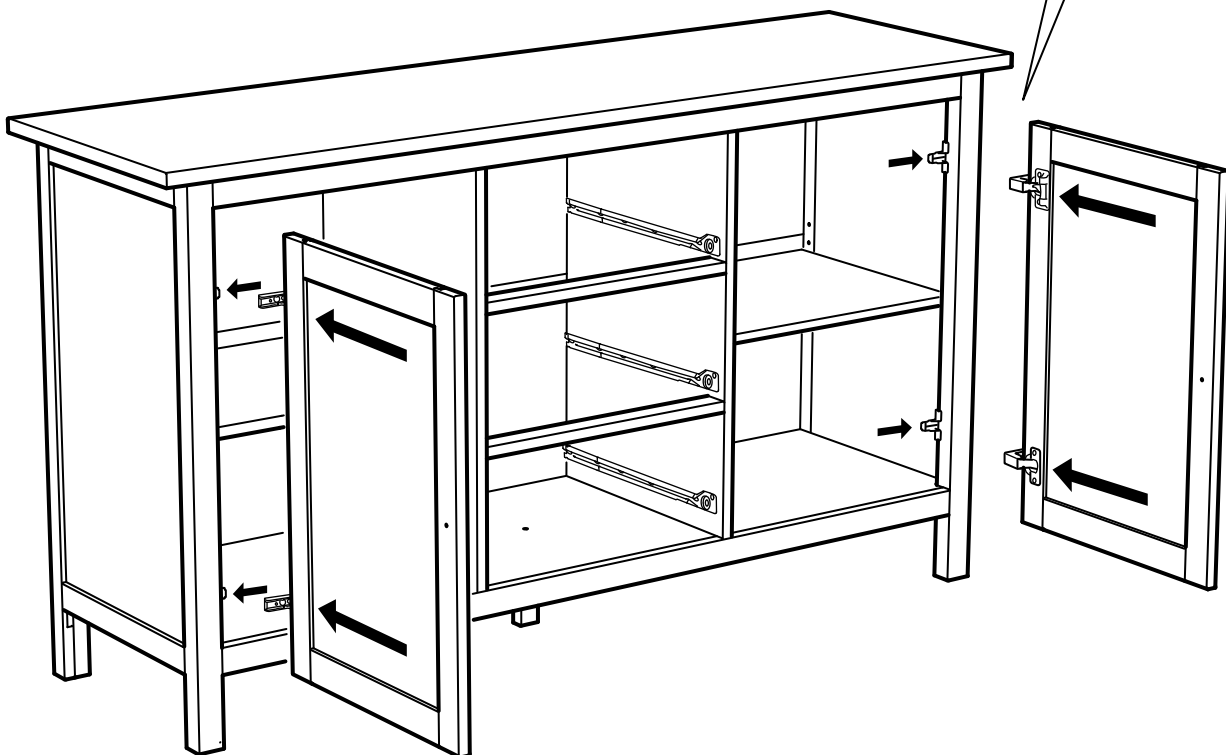
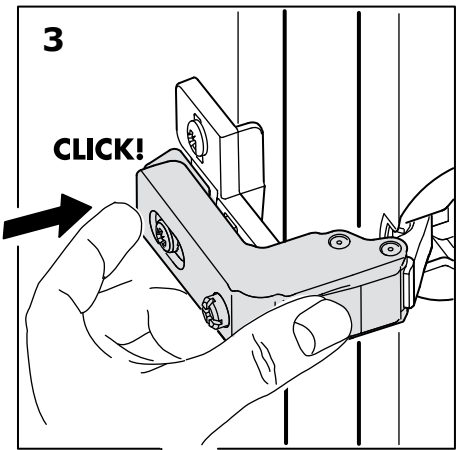
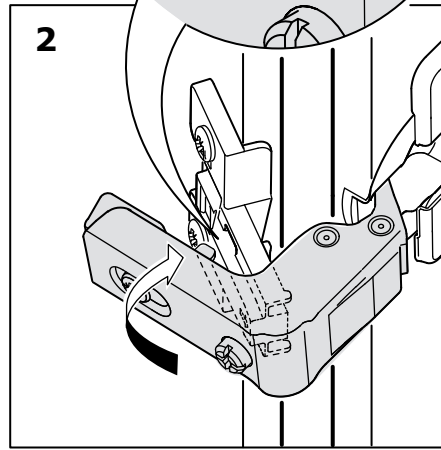
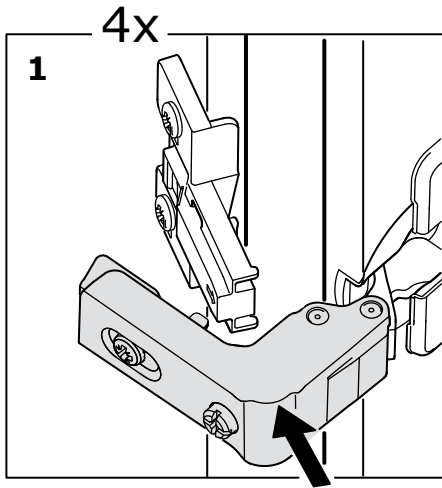


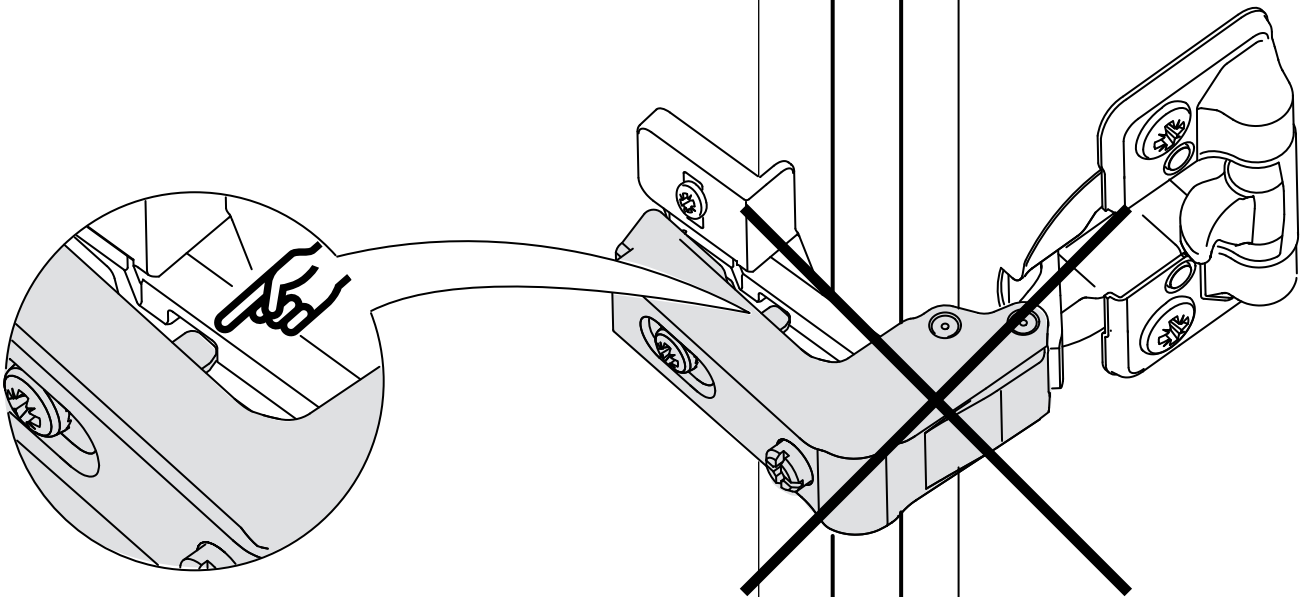
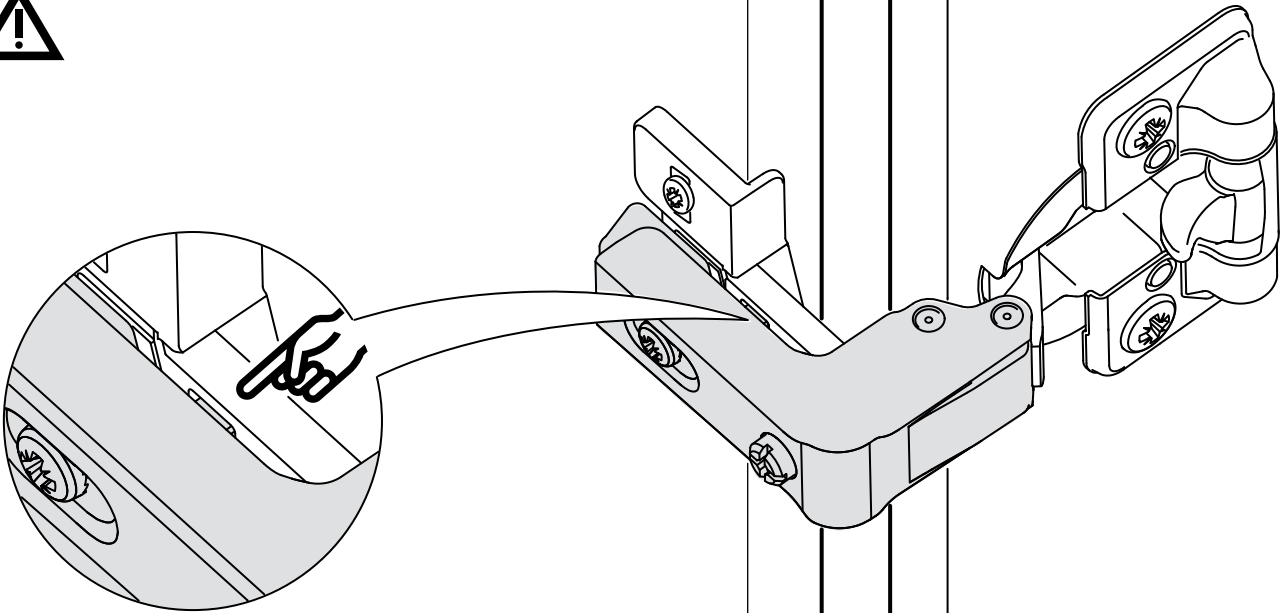
44



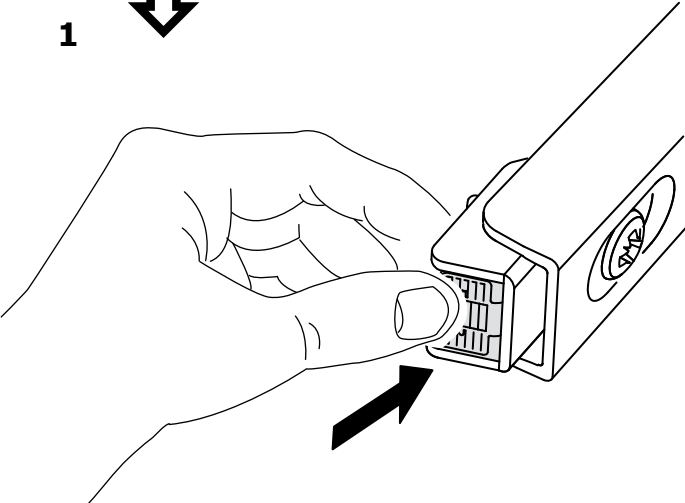


# 46

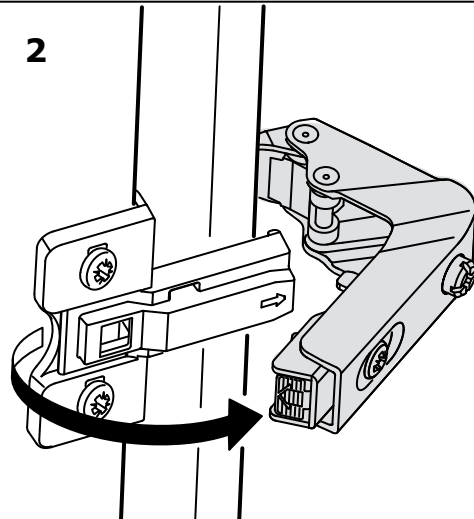




1

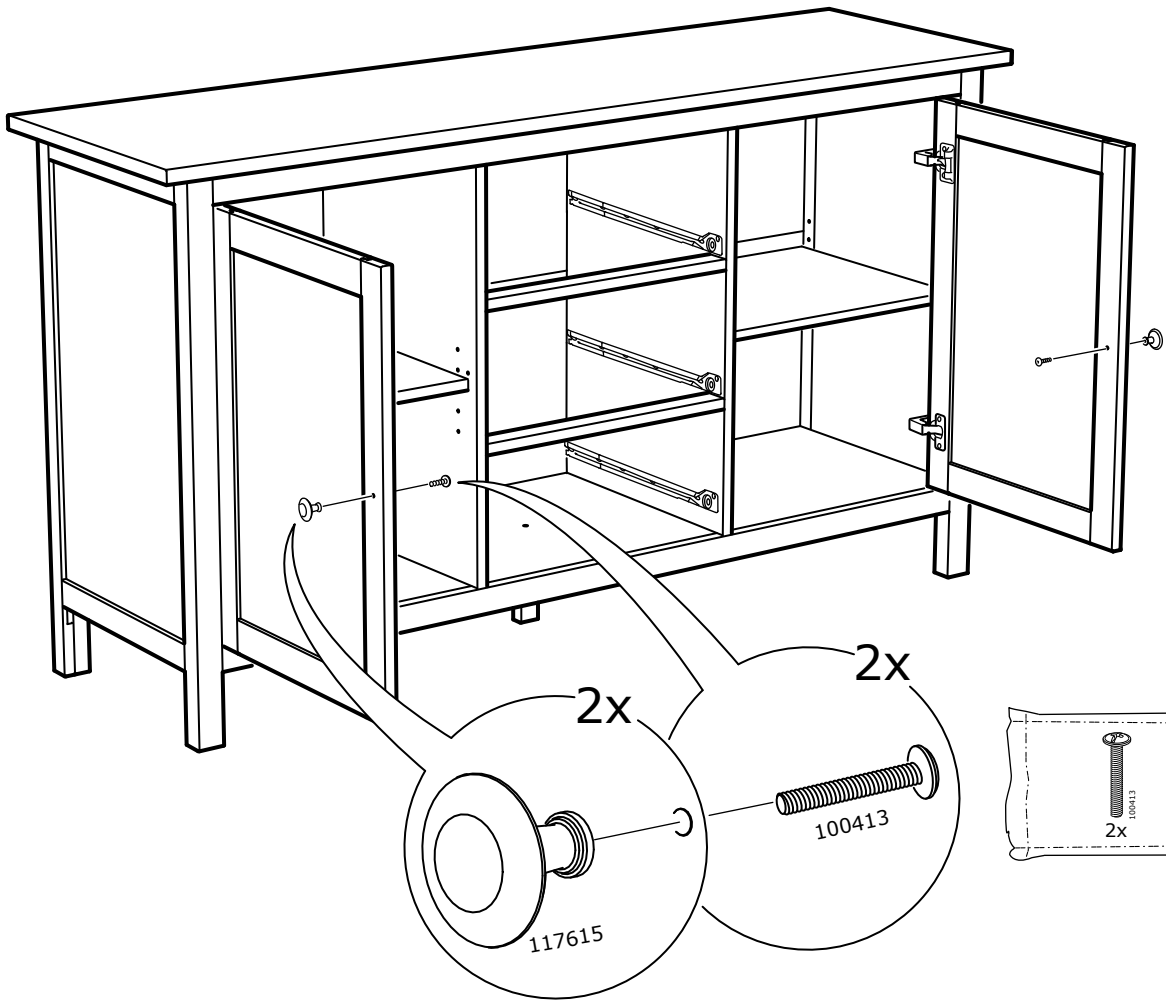


2





47



48

