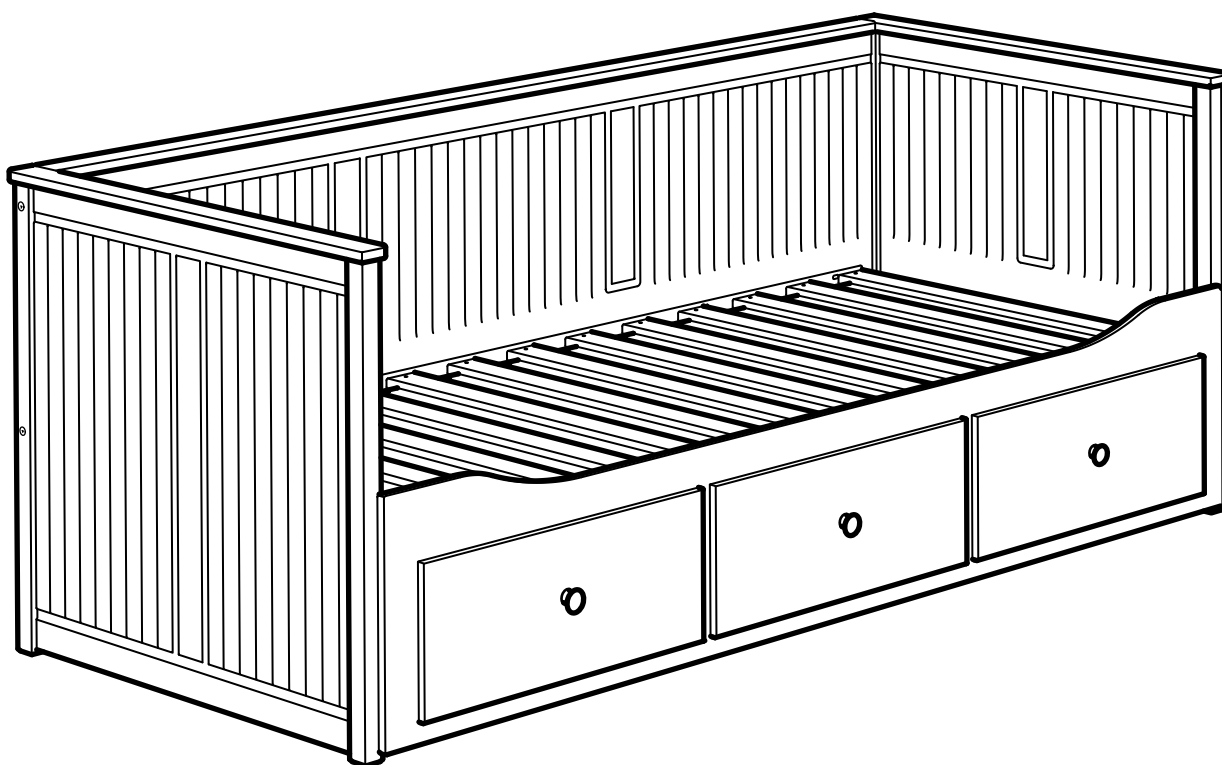
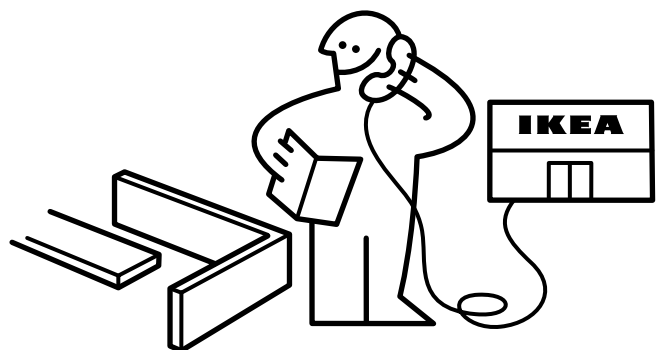
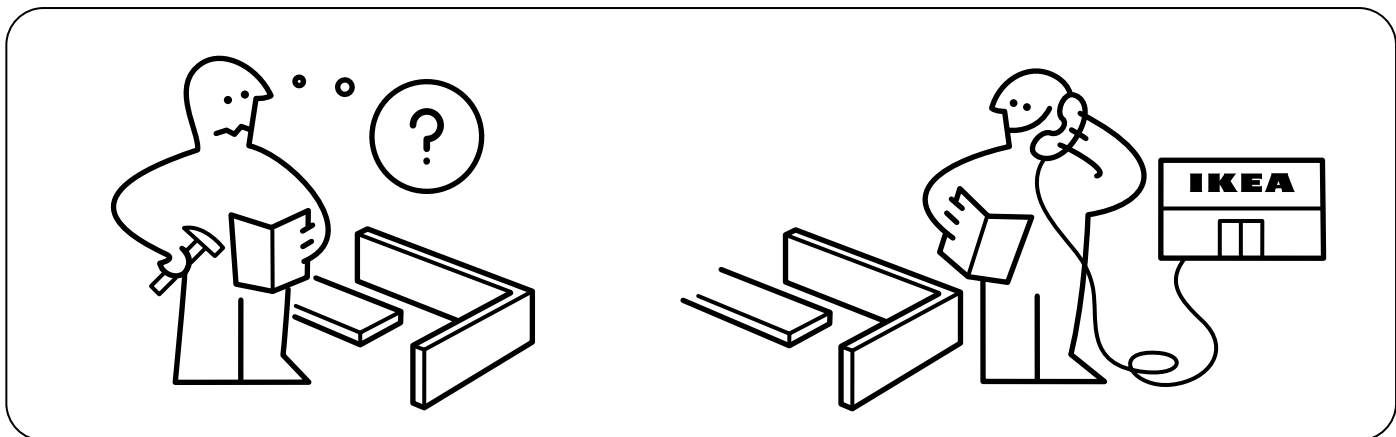
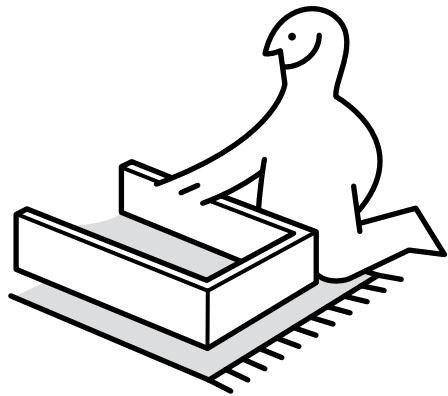
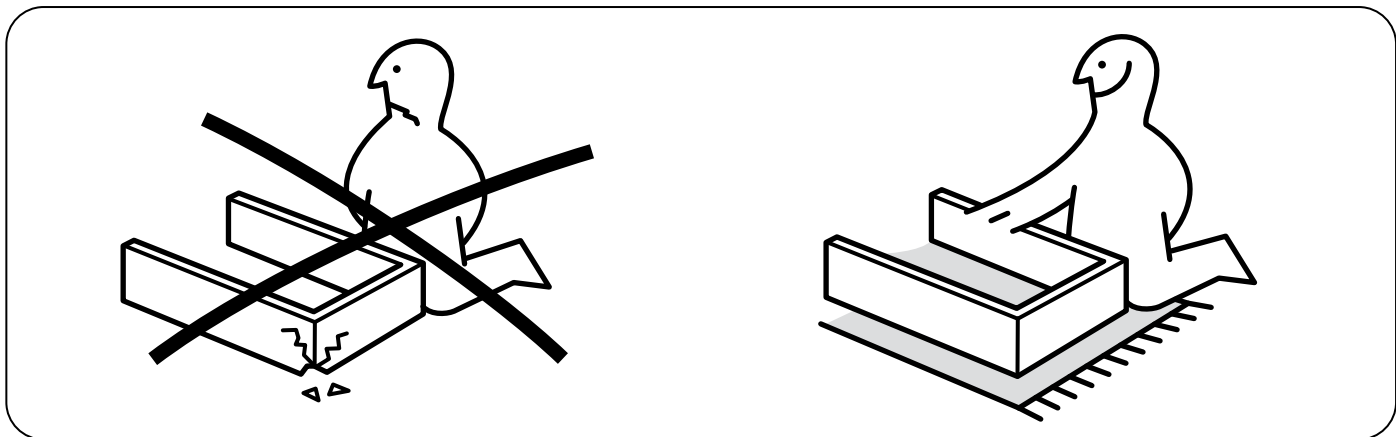
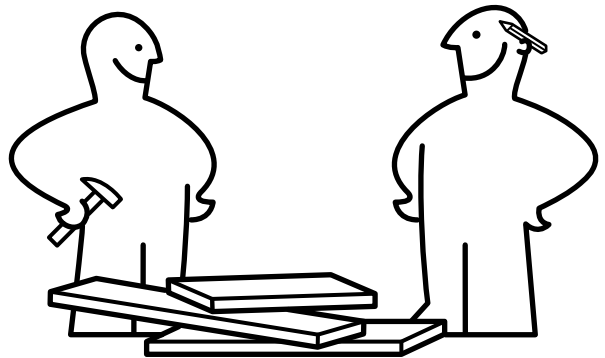
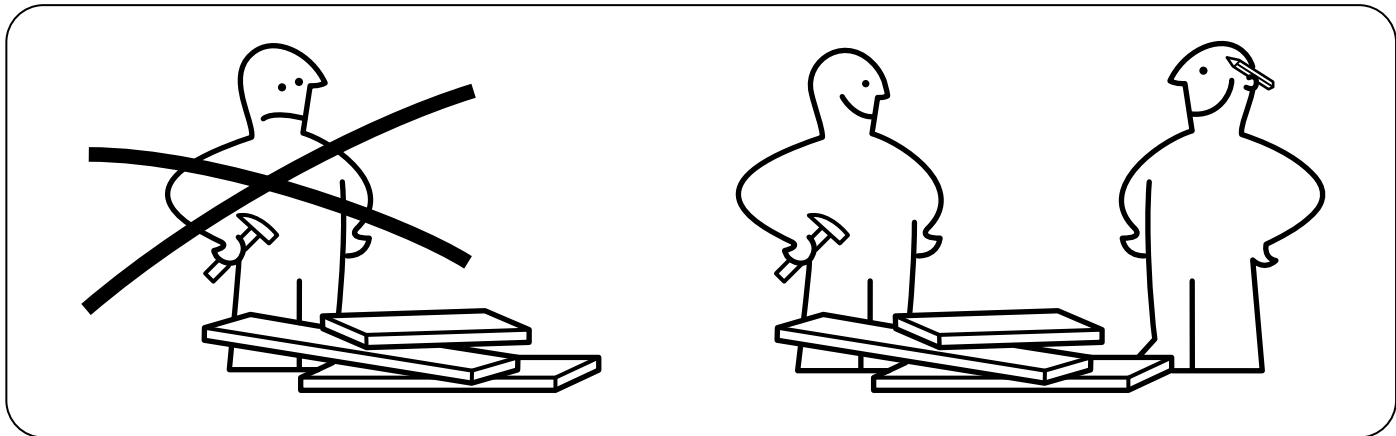
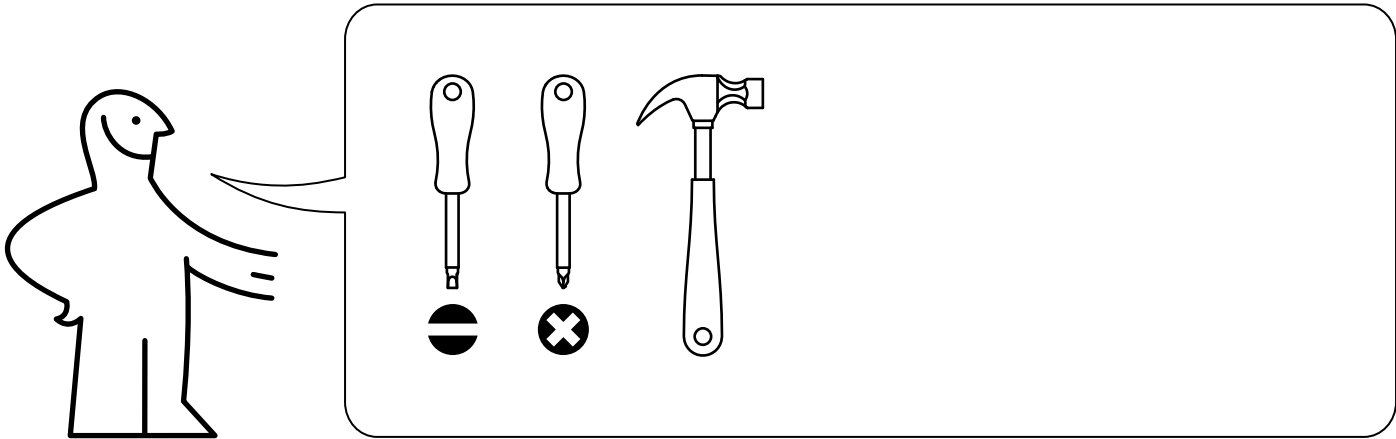


# HEMNES



Design and Quality  
IKEA of Sweden

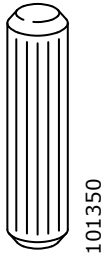


# 1



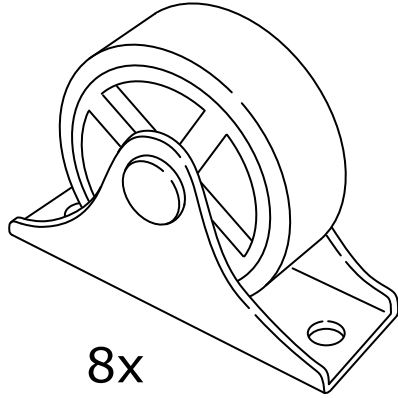
16x

118331



28x

101350



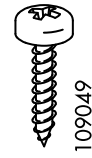
8x

111401



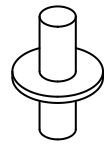
22x

116894



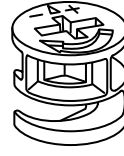
16x

109049



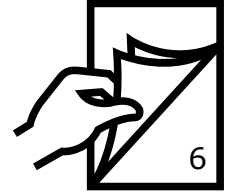
20x

110525



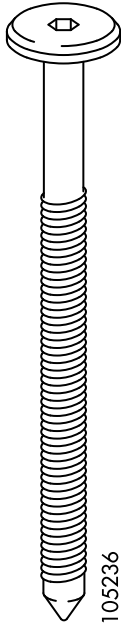
16x

103430



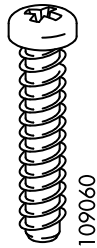
6

# 2



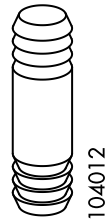
4x

105236



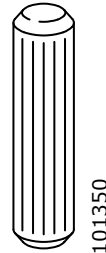
4x

109060



17x

104012



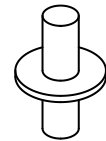
6x

101350



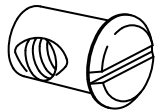
28x

116894



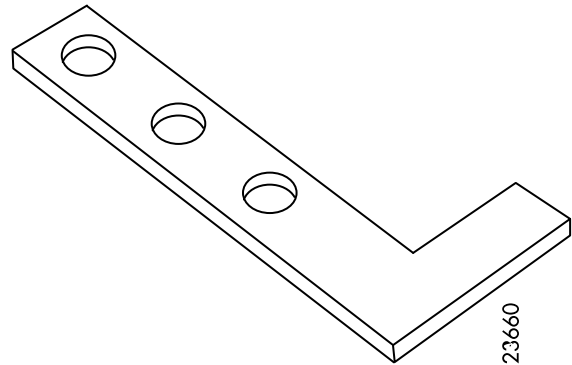
12x

110525



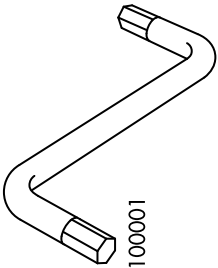
4x

108903



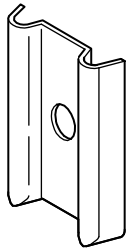
2x

123660



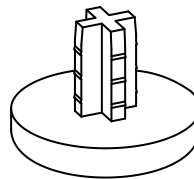
1x

100001



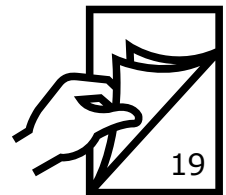
2x

130485



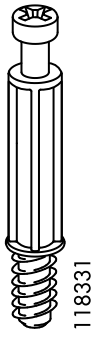
4x

153552



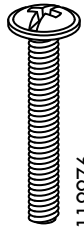
19

**3**



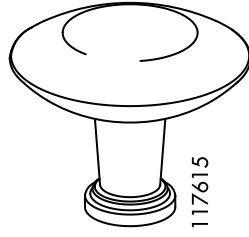
118331

24x



119976

3x



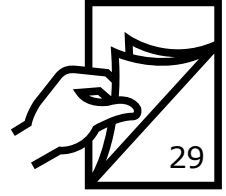
117615

3x



103114

24x



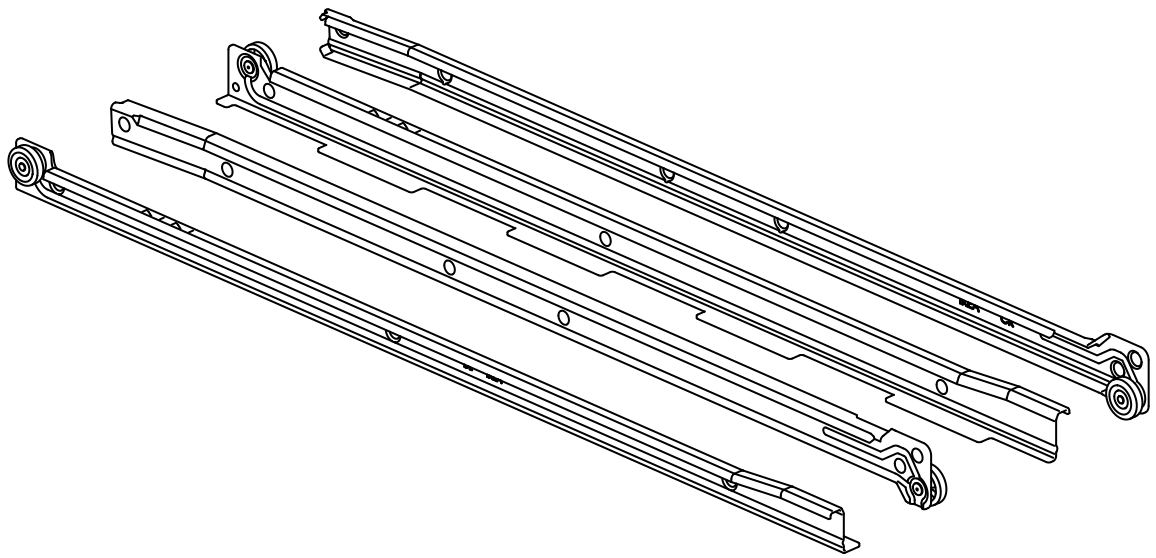
29

**4**



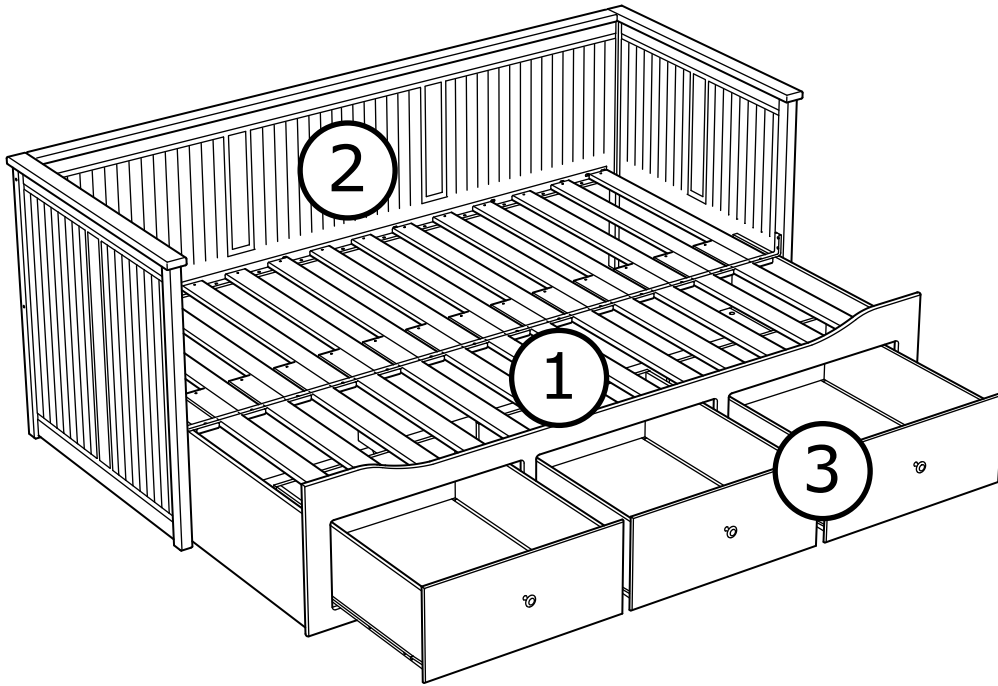
100347

36x

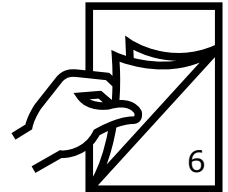
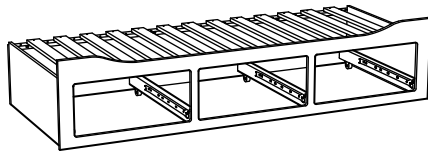


139505

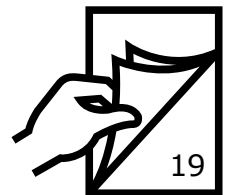
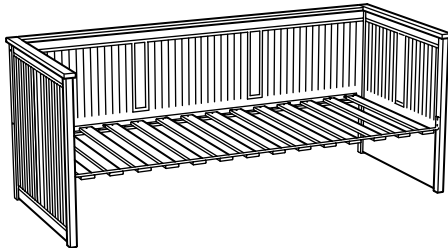
3x



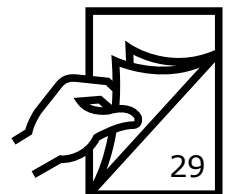
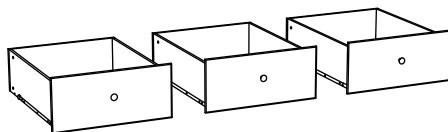
1

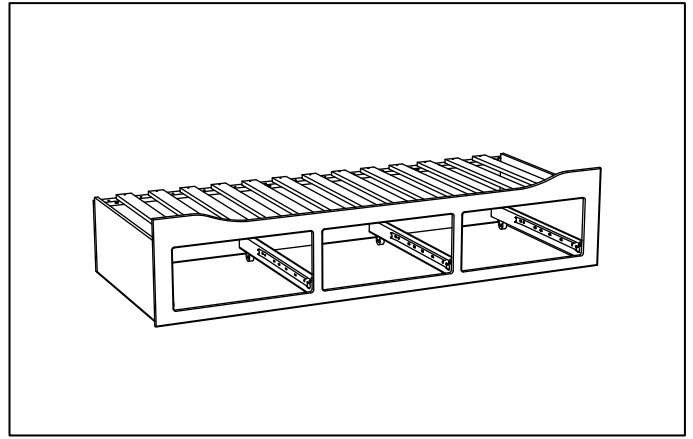
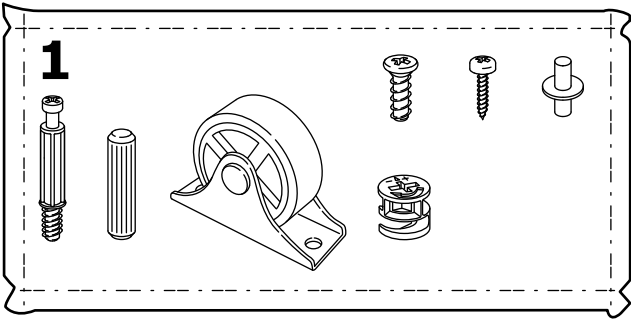


2

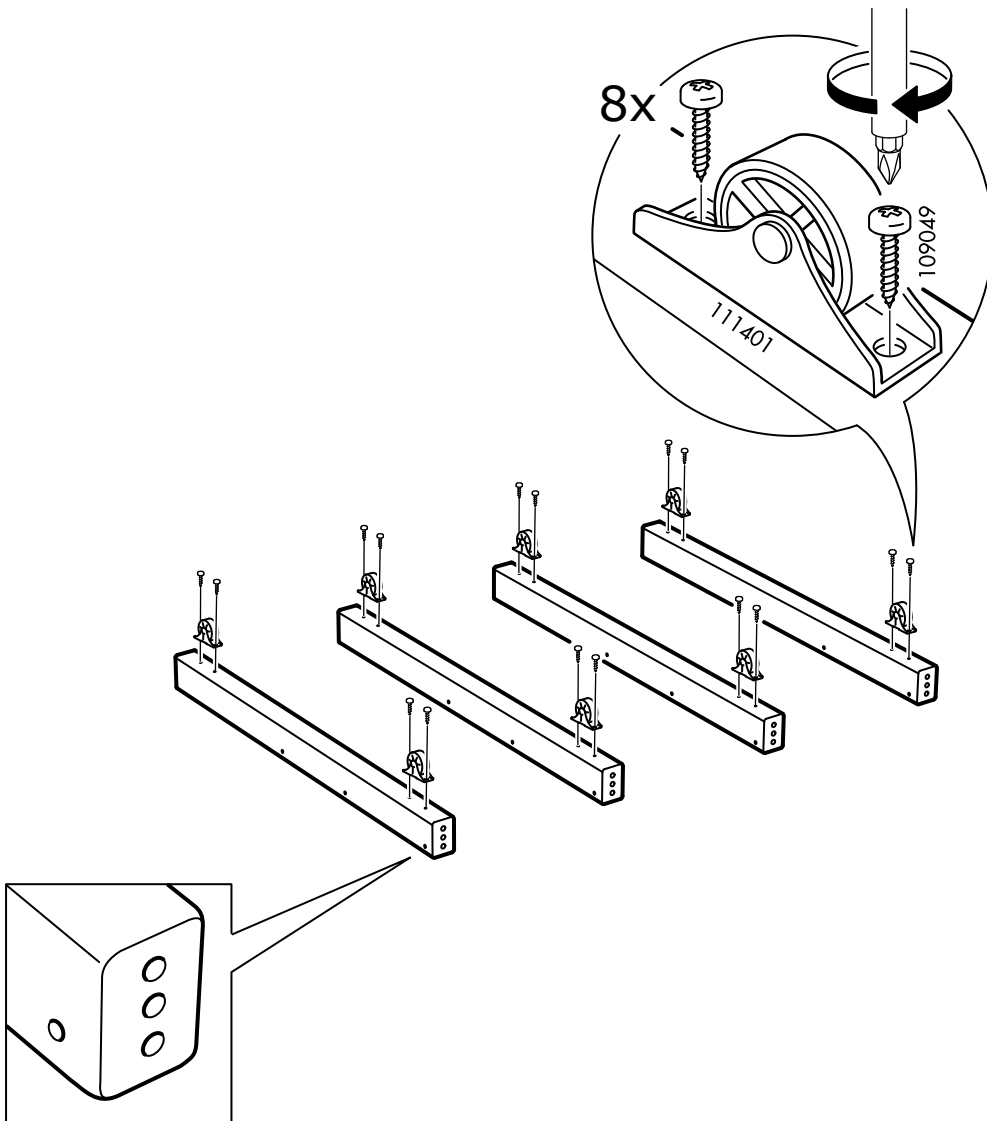


3

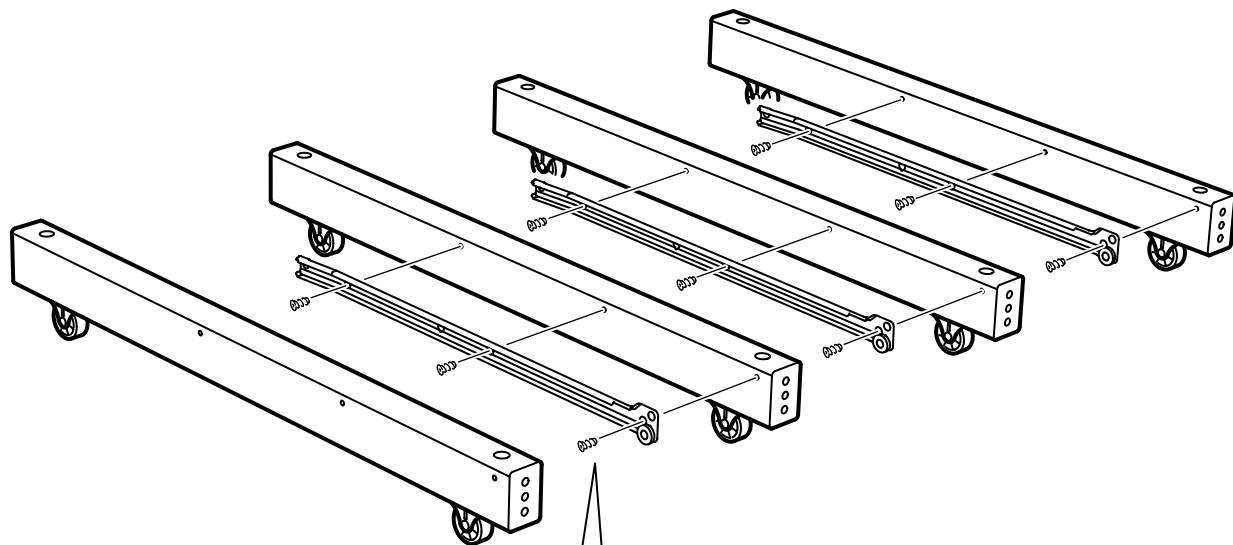
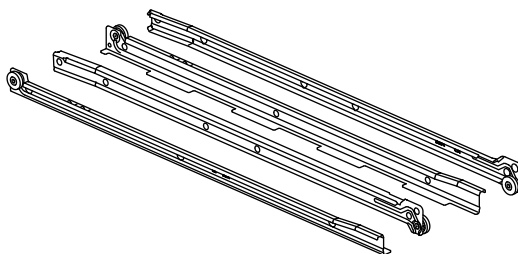
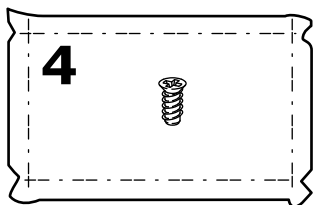




**1**

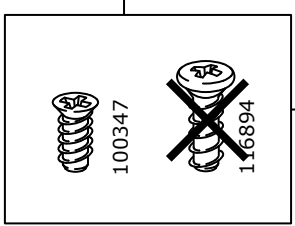
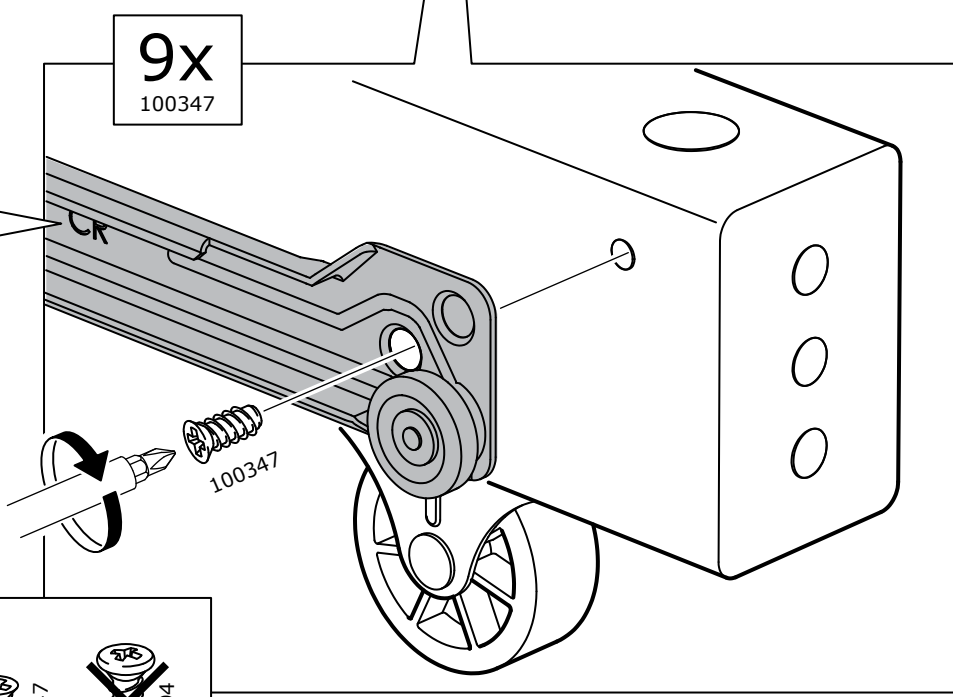


2

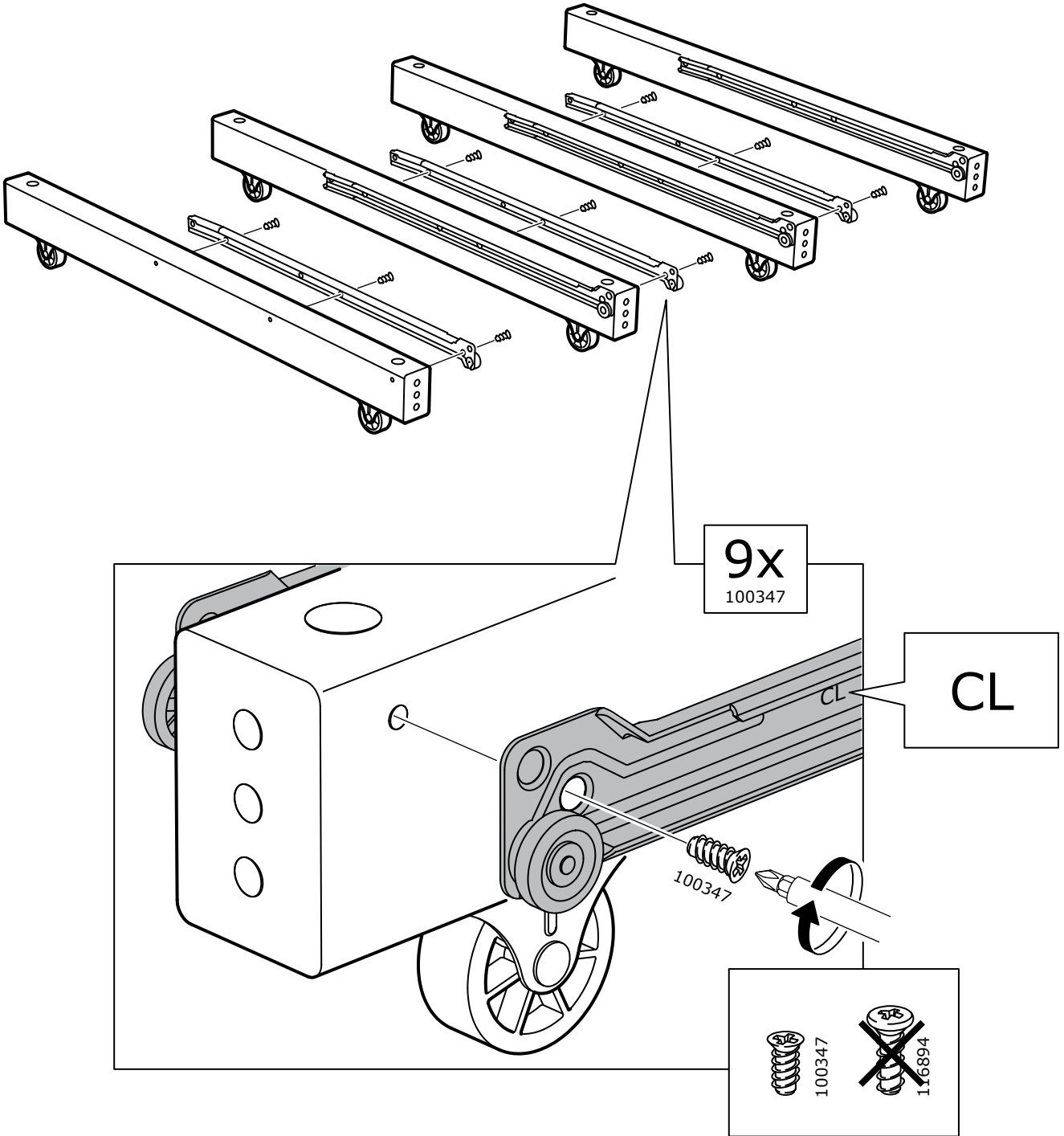


9x  
100347

CR

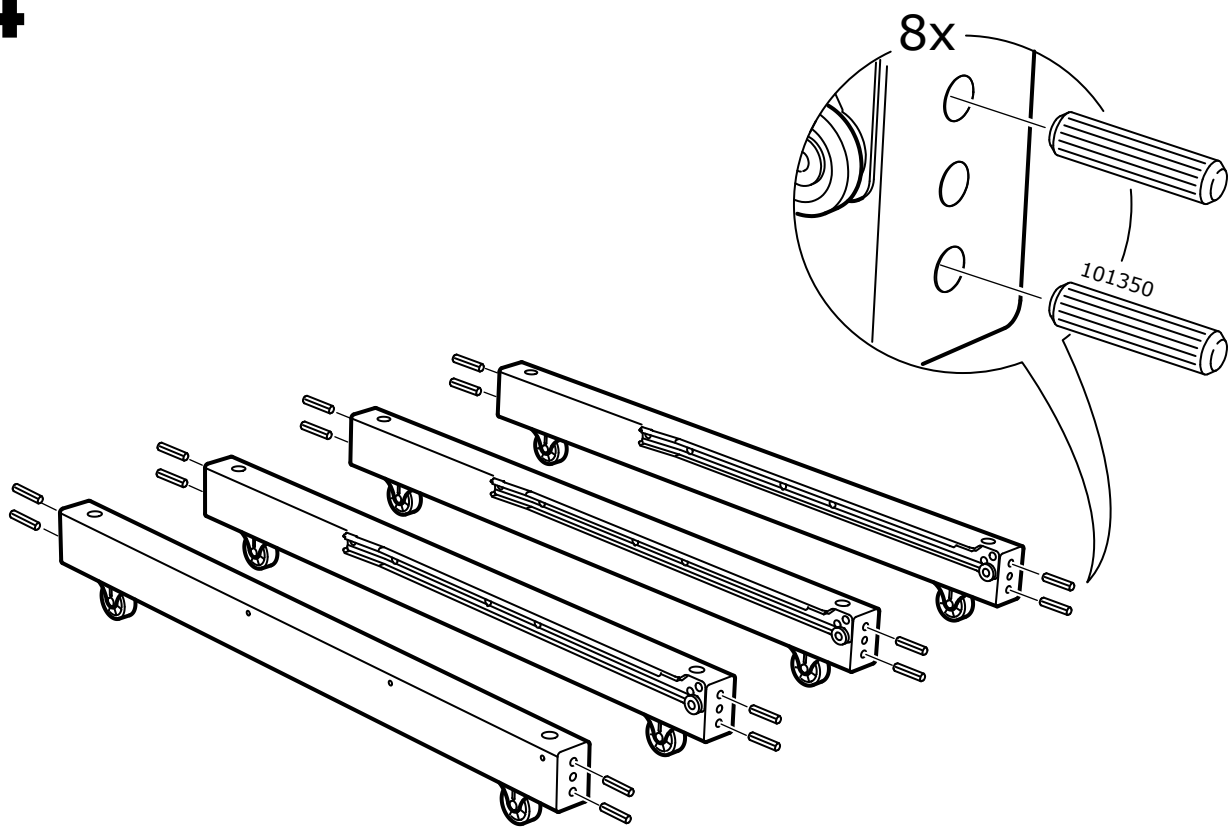


3

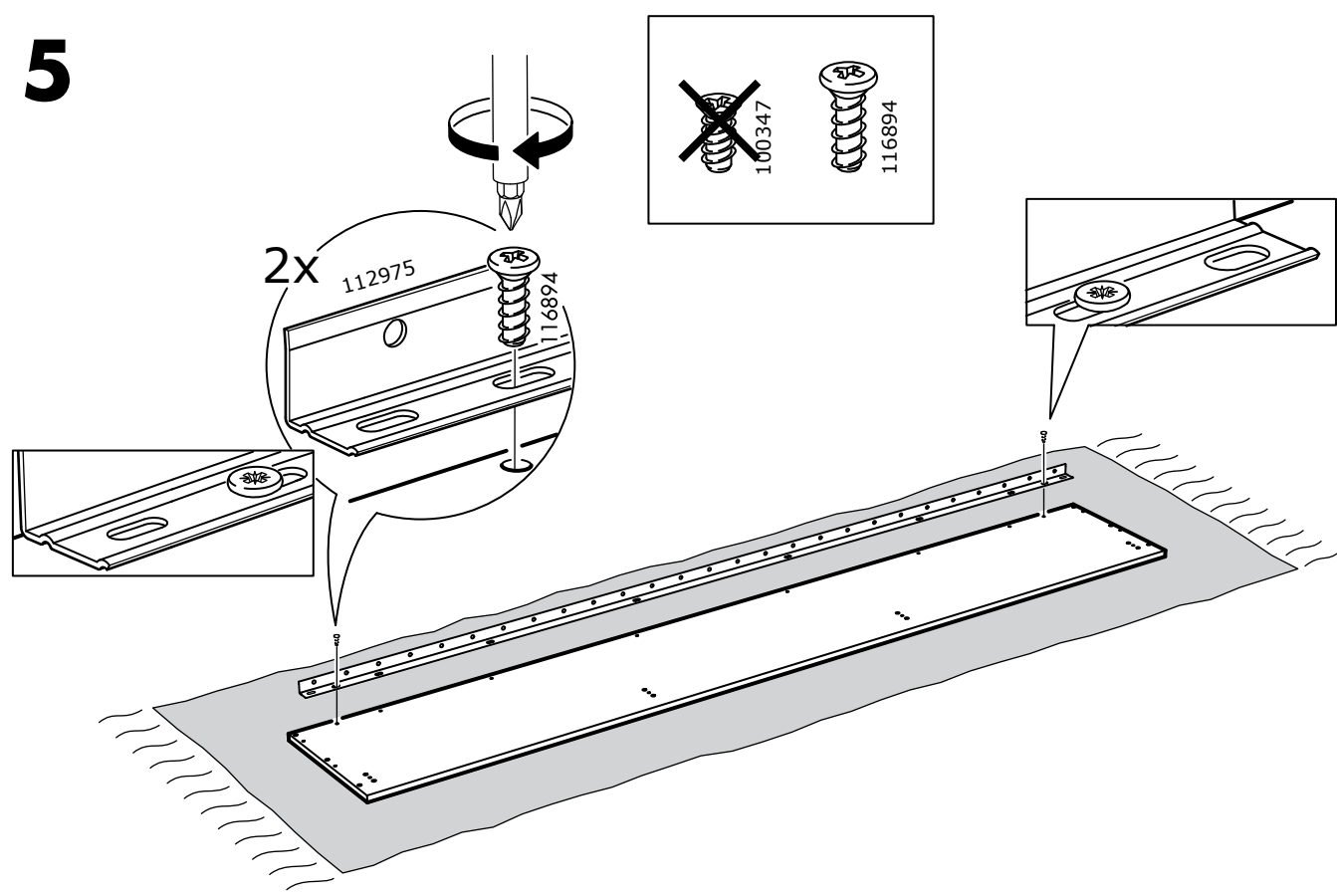




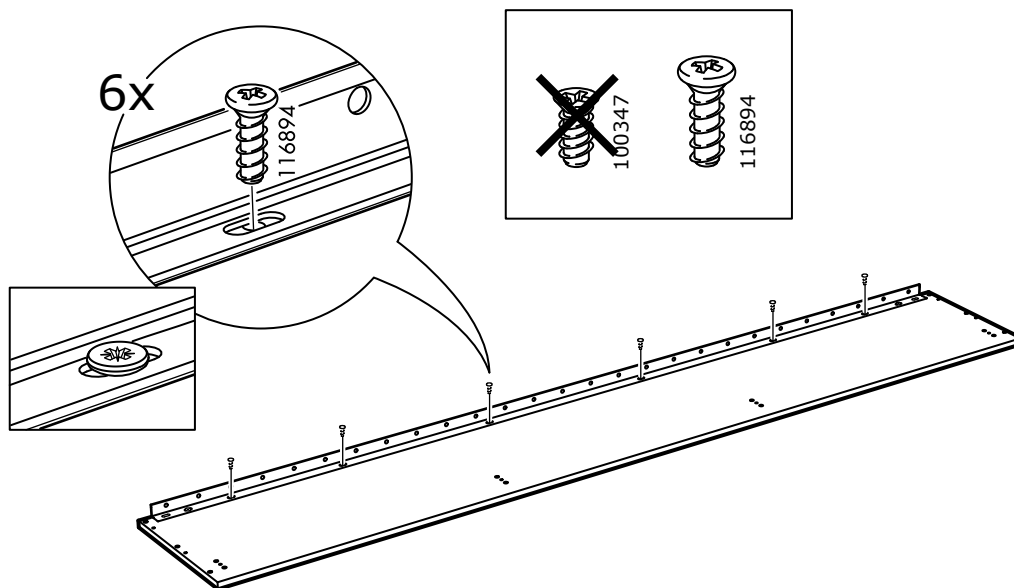
# 4



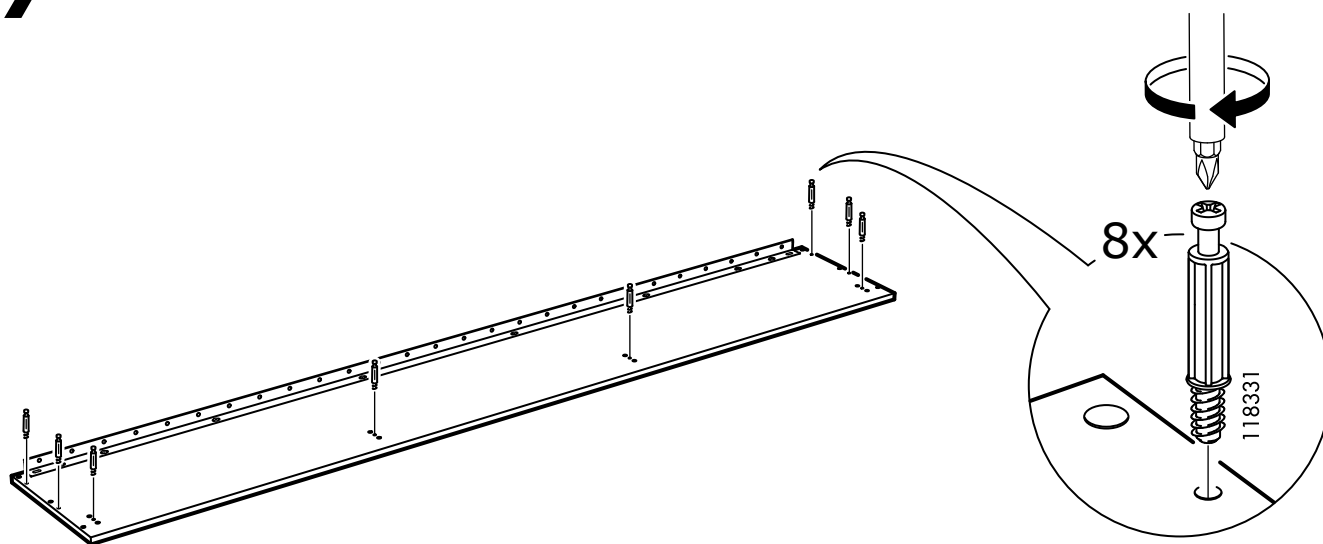
# 5



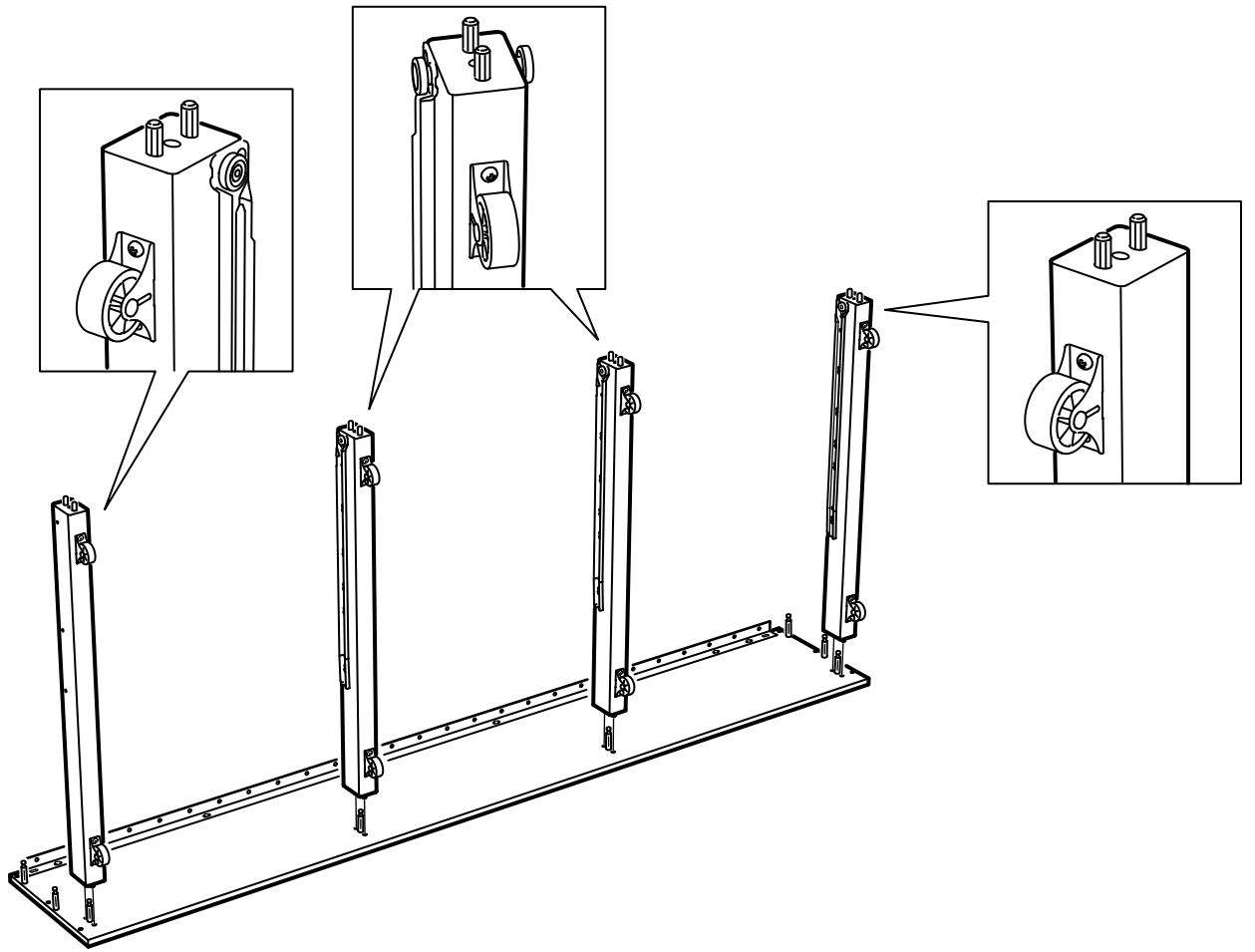
# 6



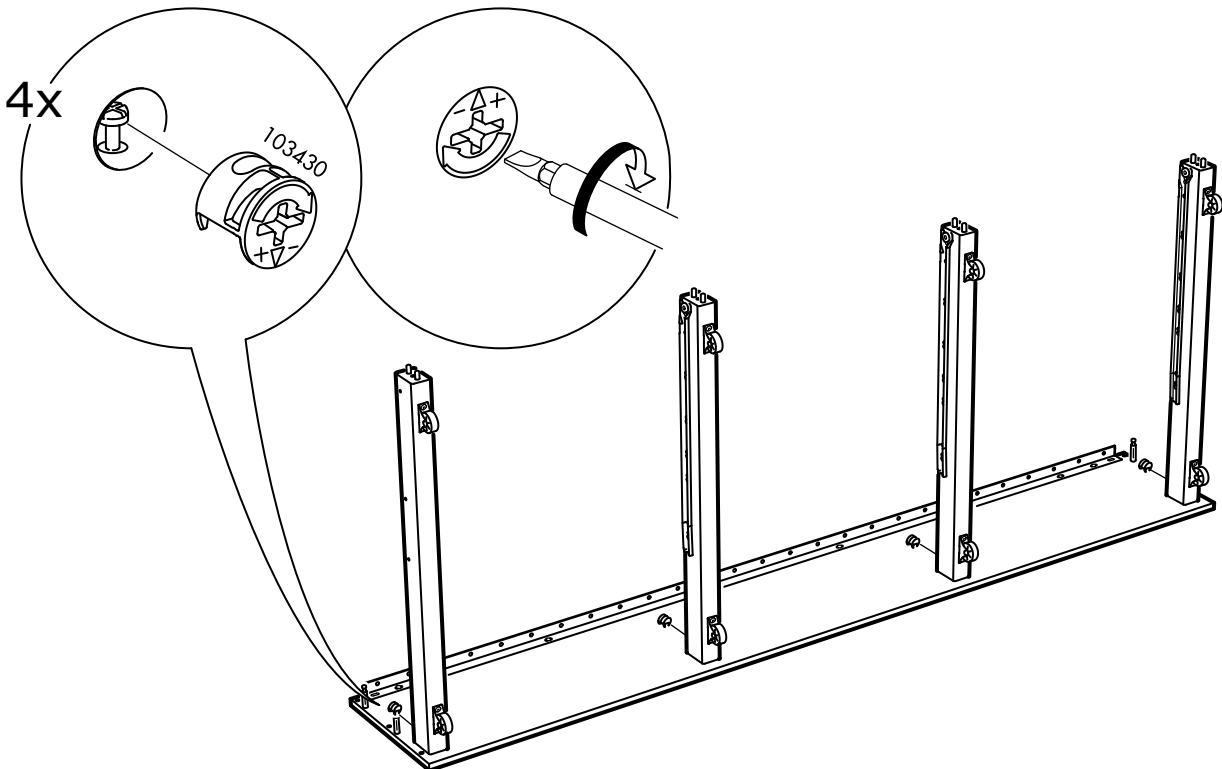
# 7



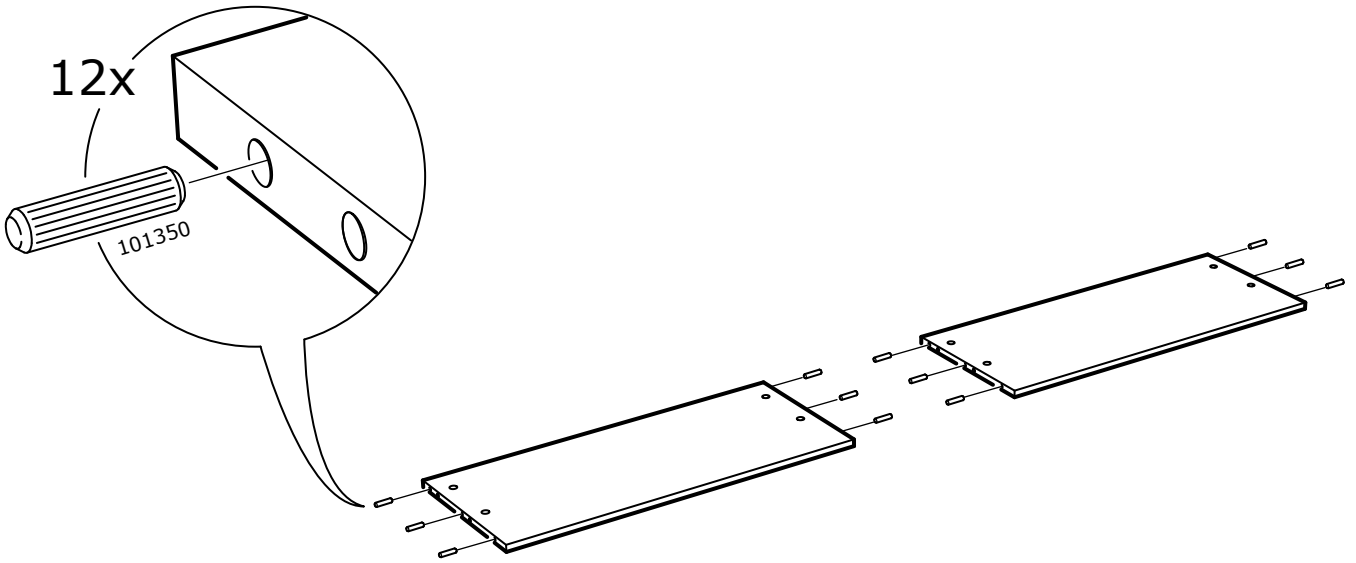
8



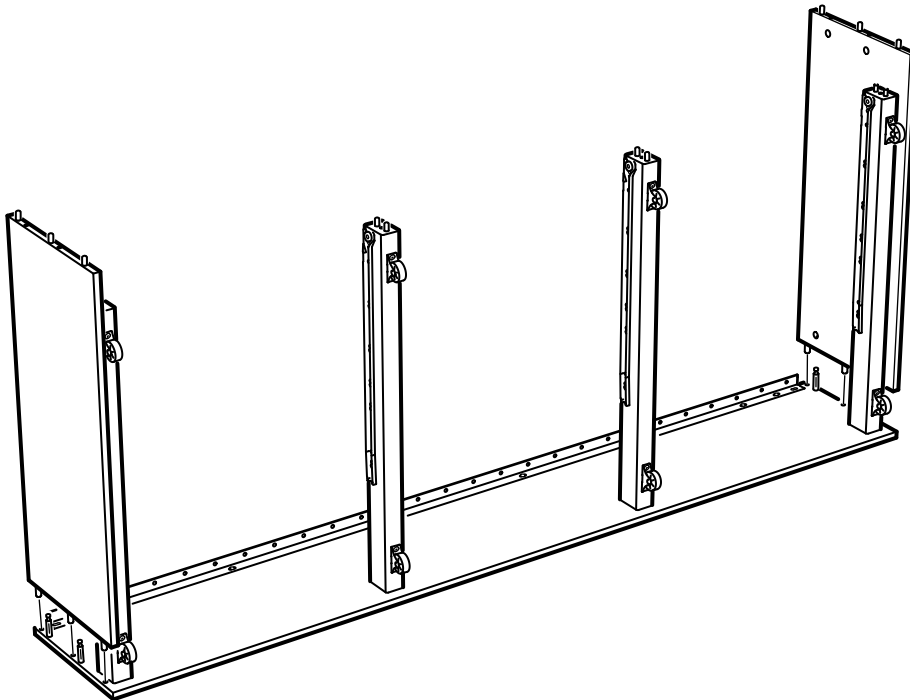
9



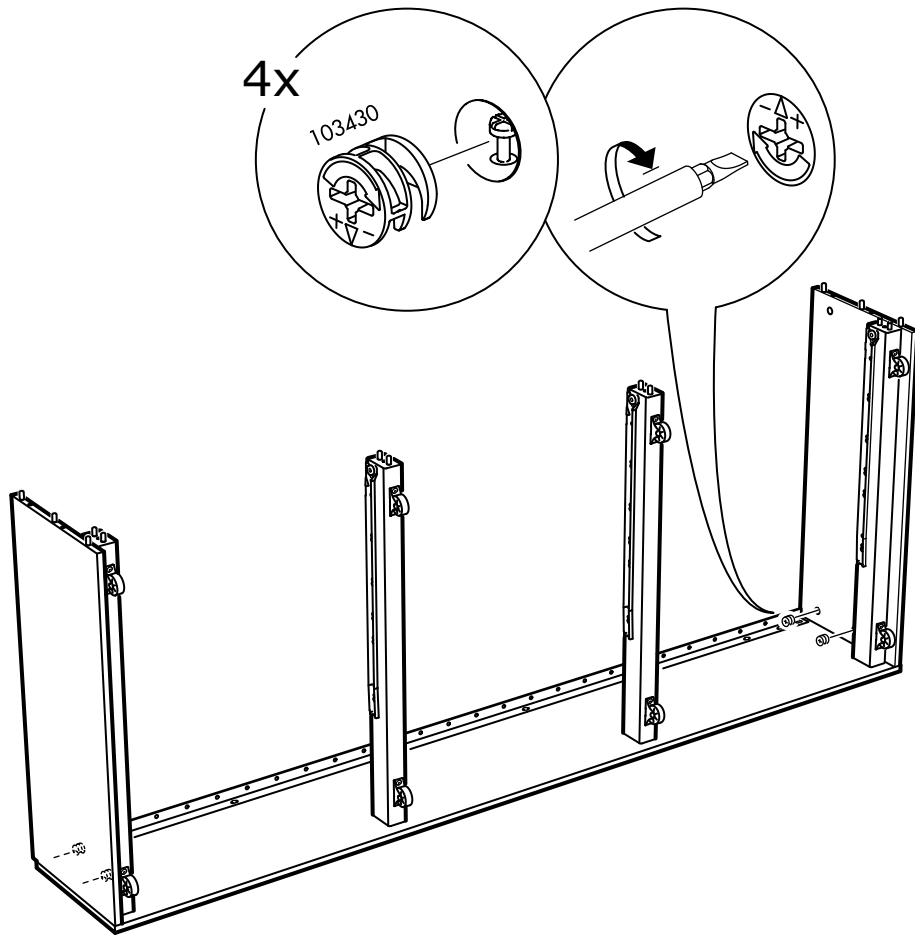
# 10



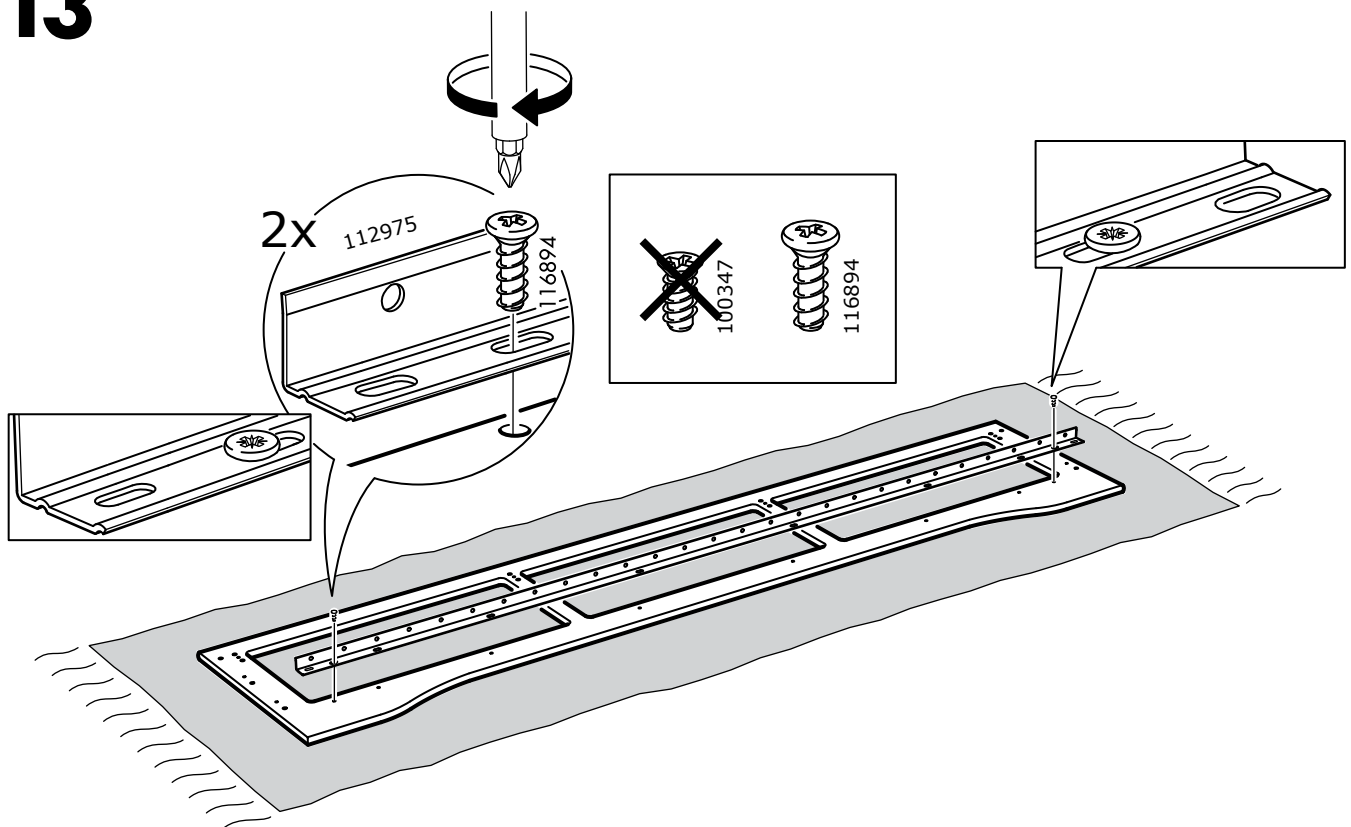
# 11



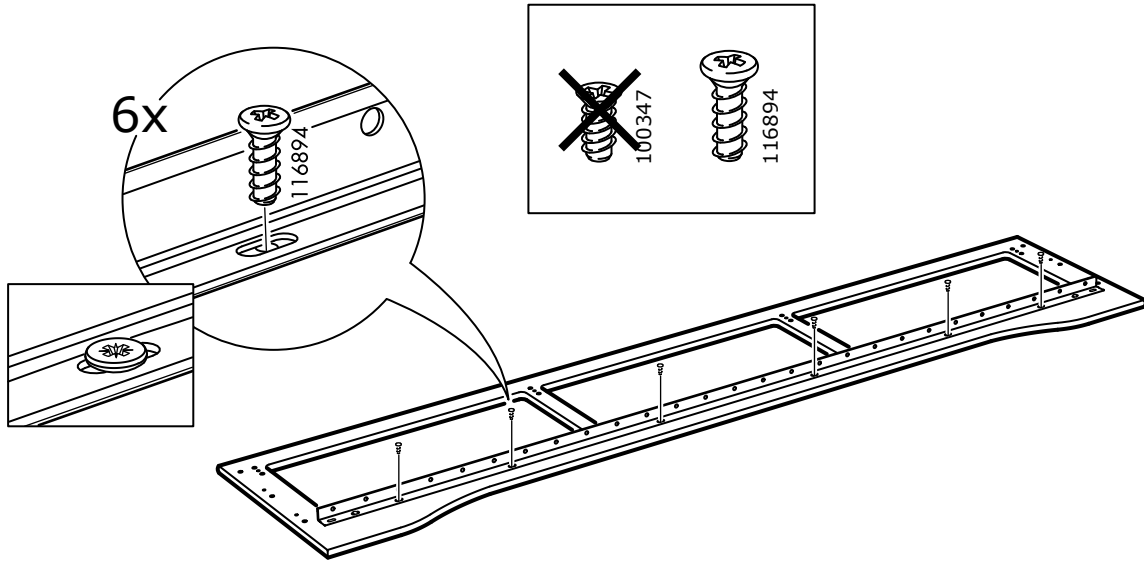
# 12



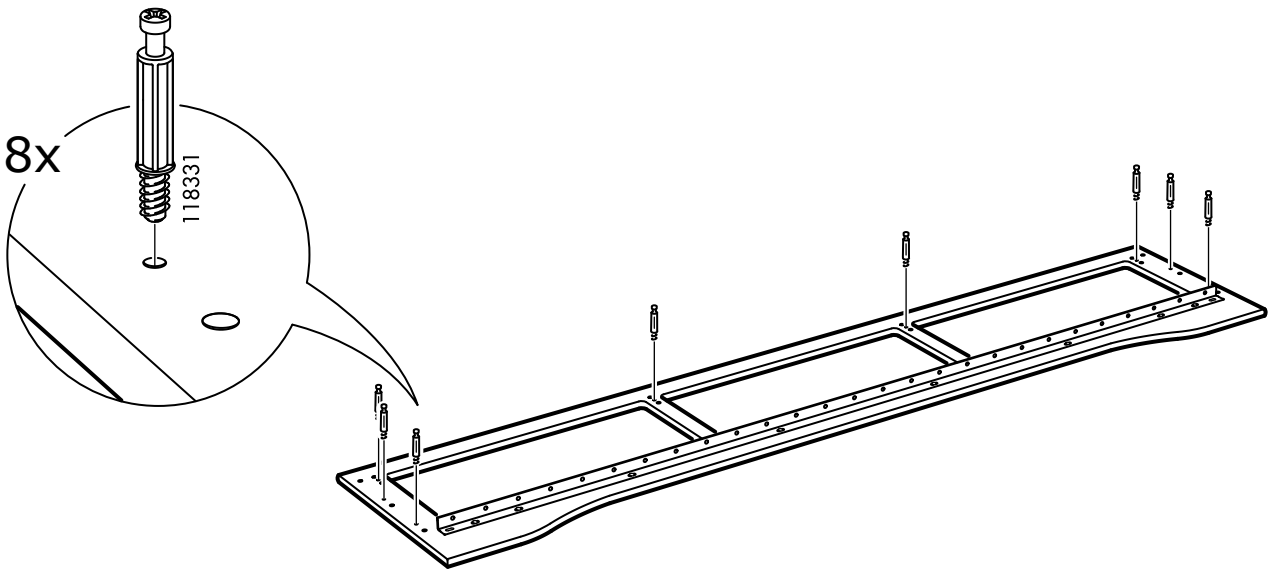
# 13



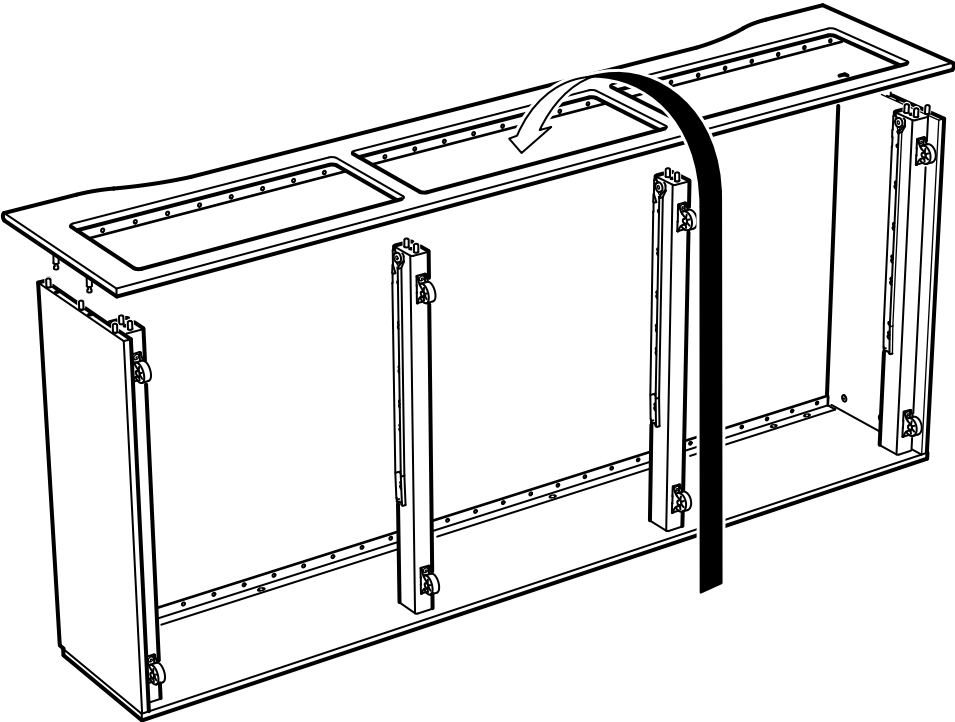
# 14



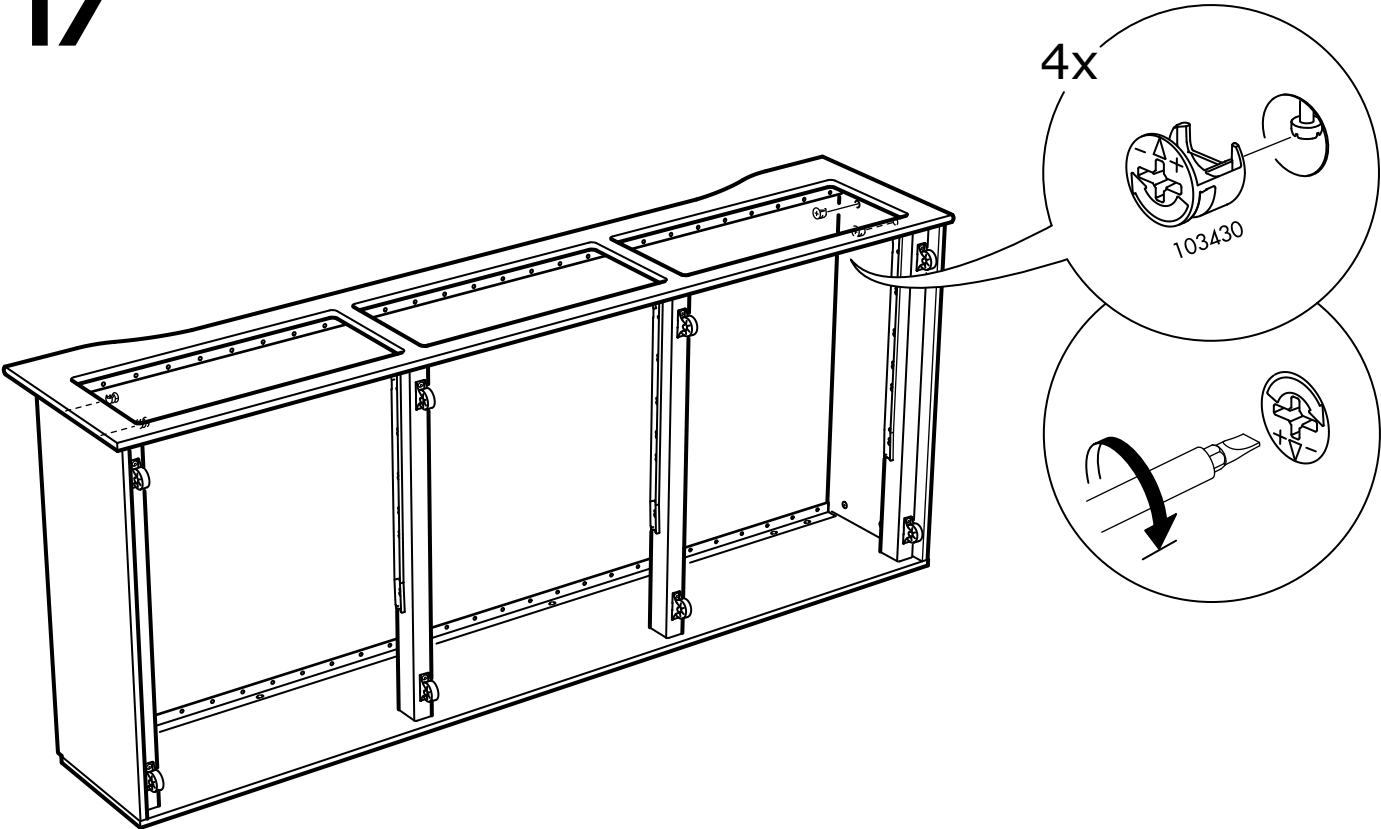
# 15

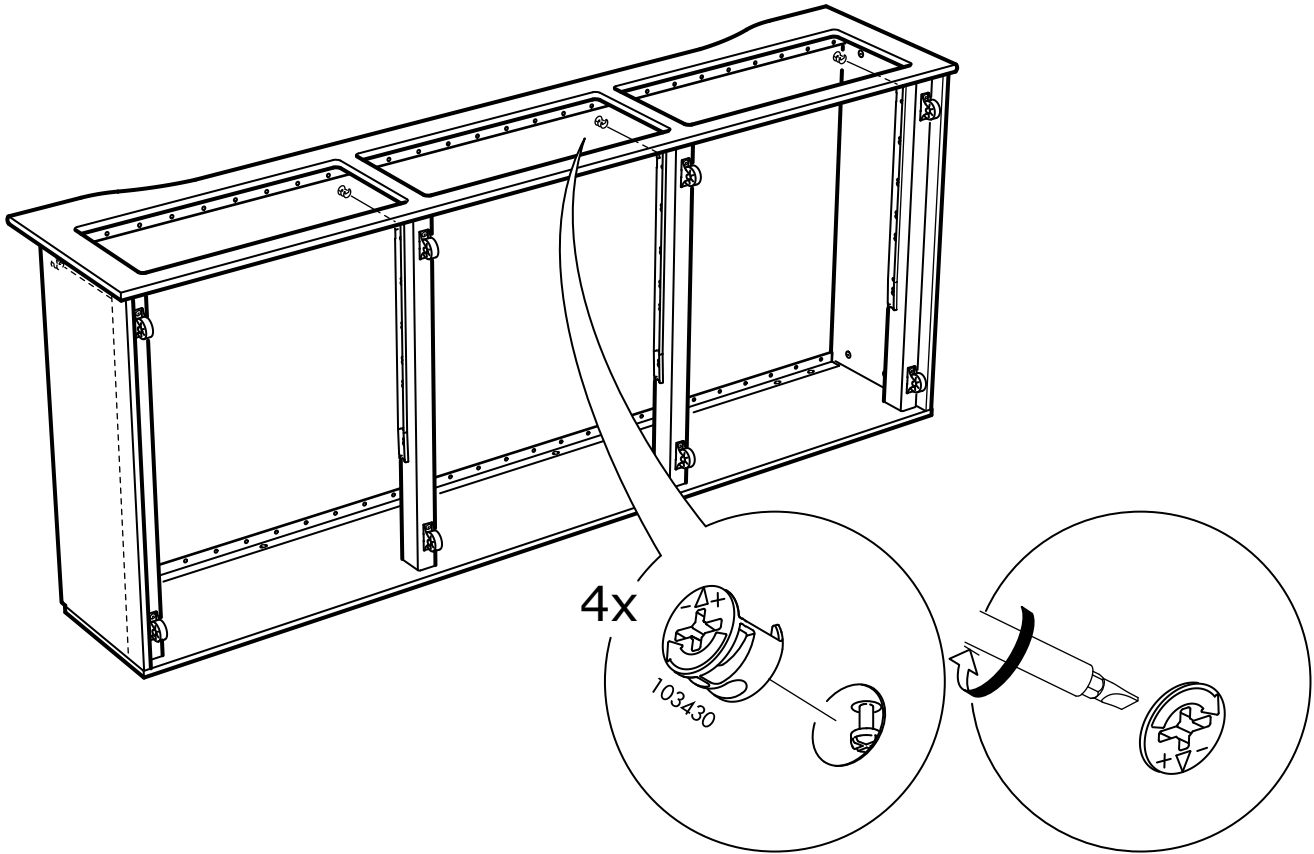


16



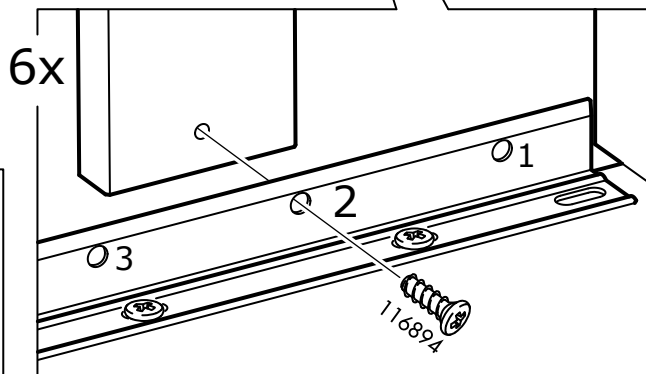
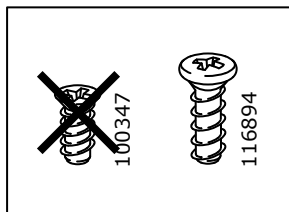
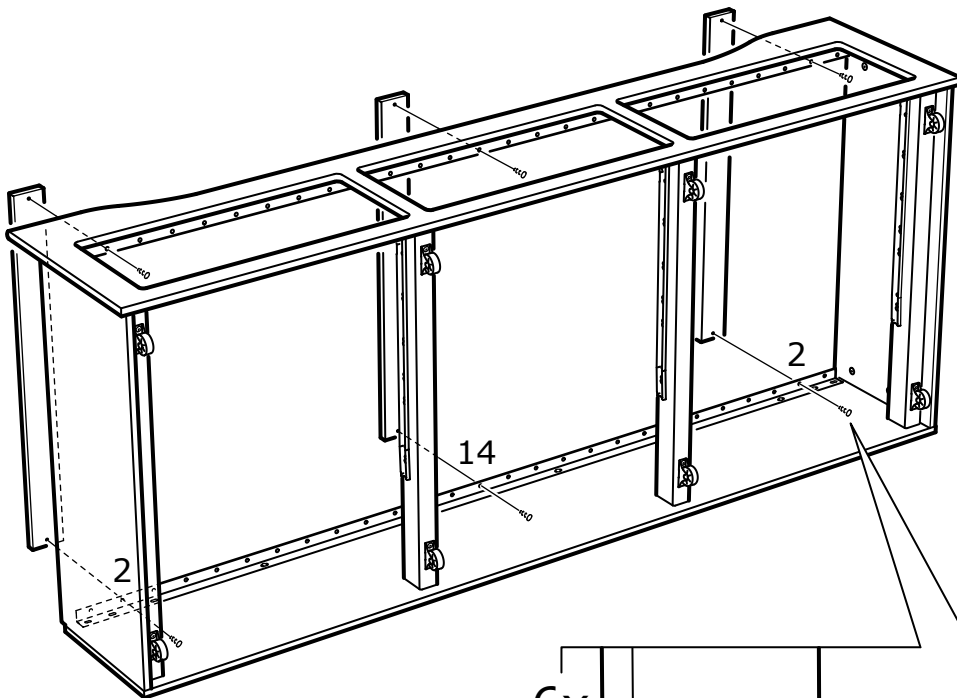
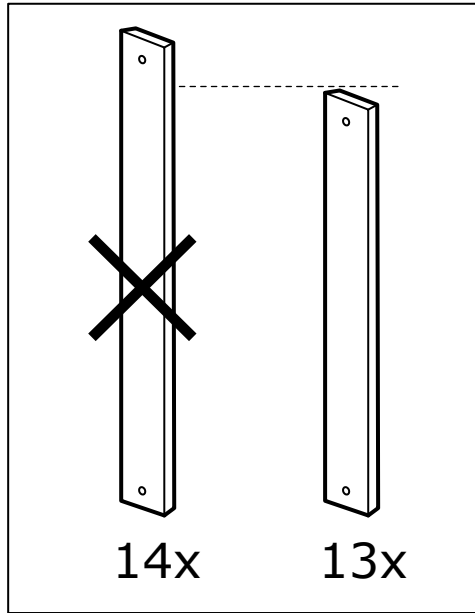
17



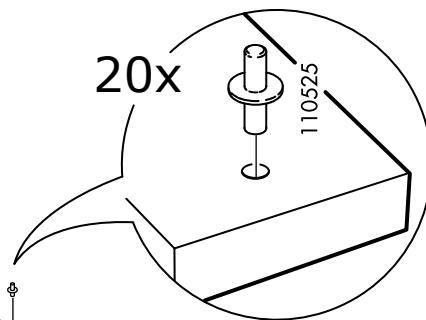
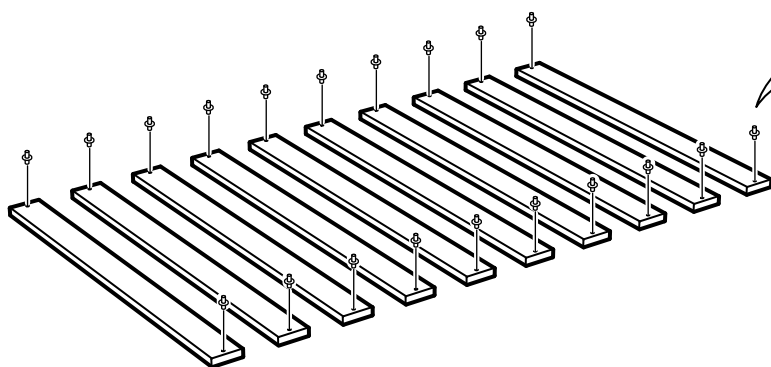




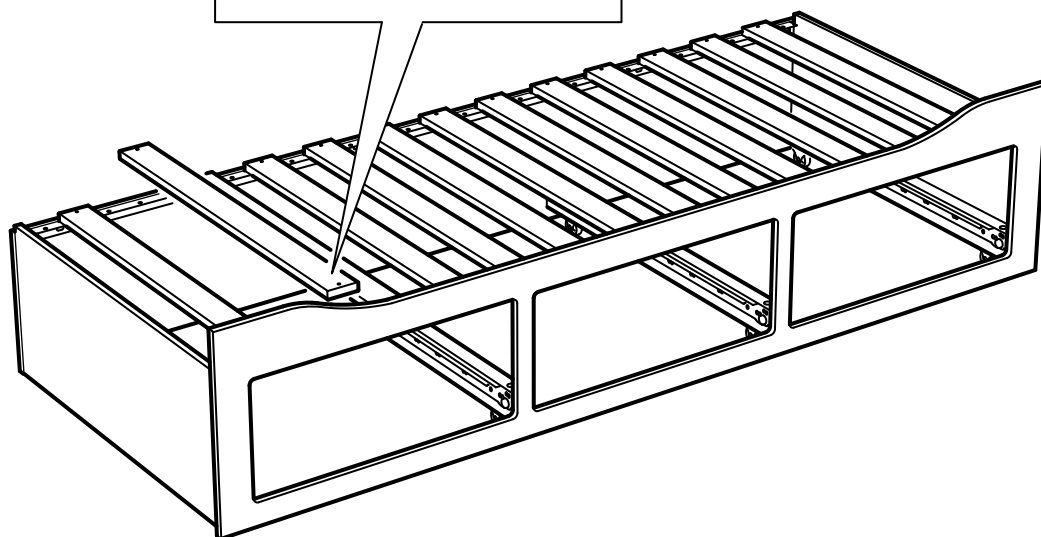
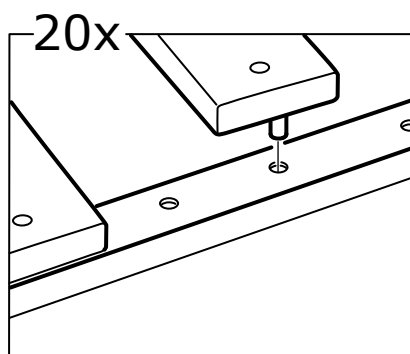
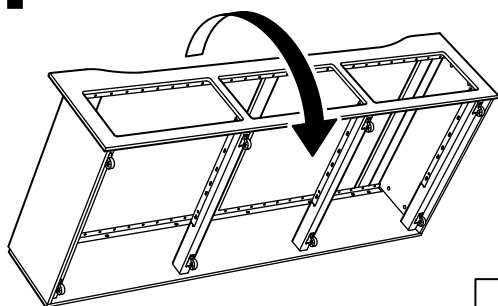
# 19

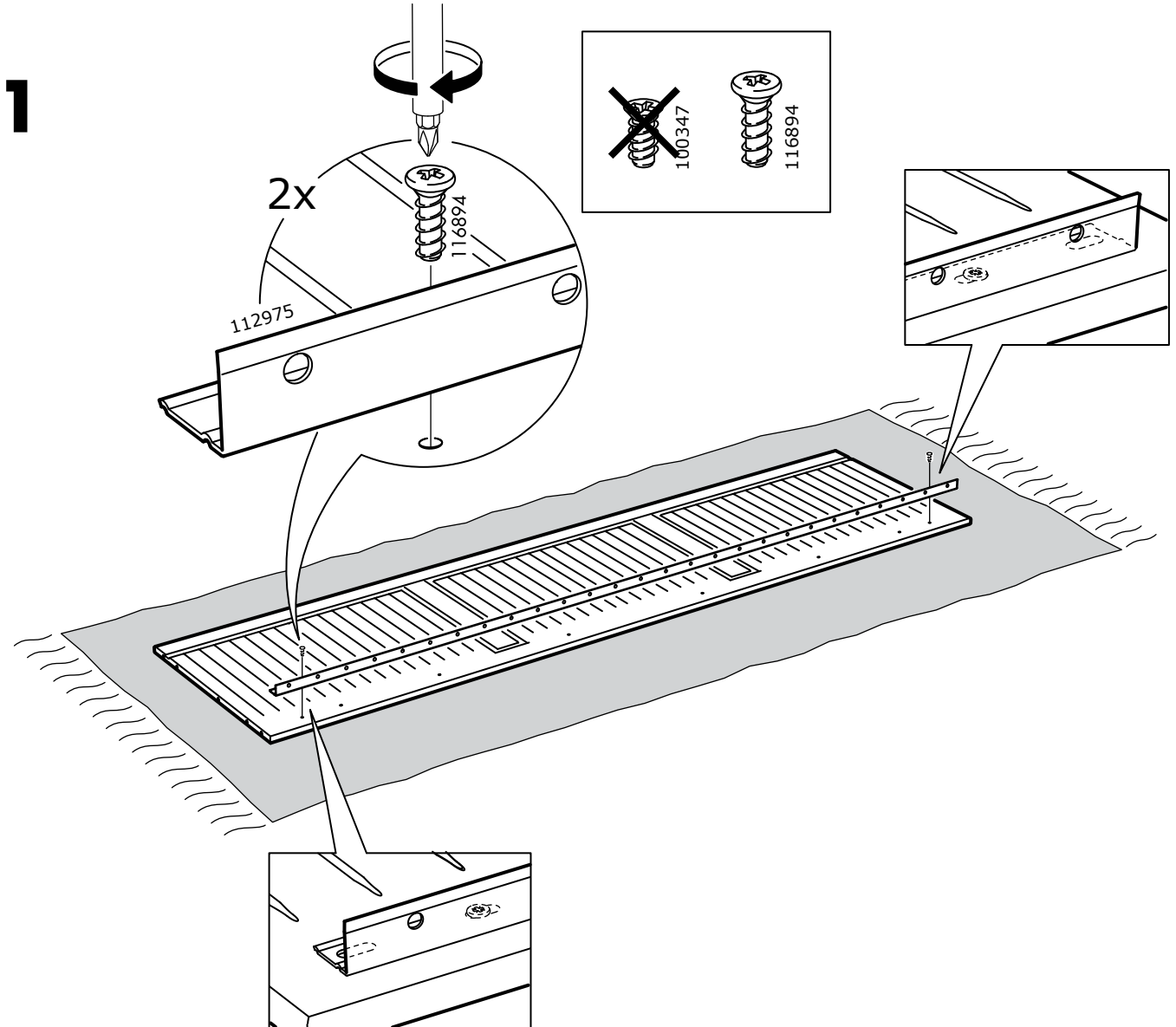
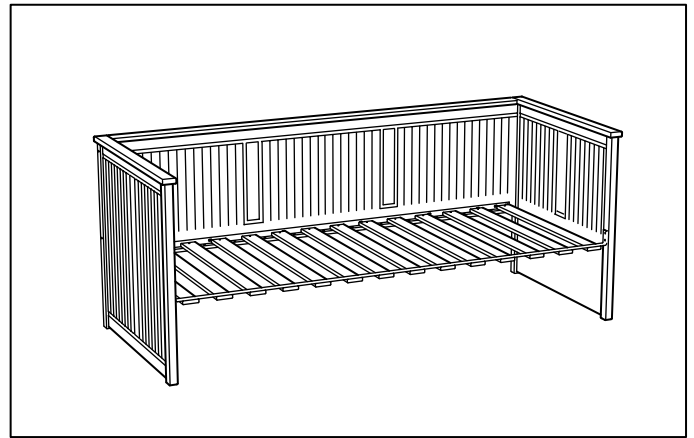
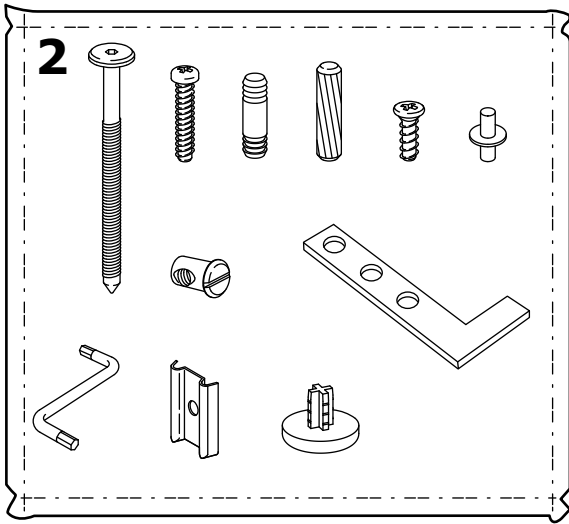


# 20

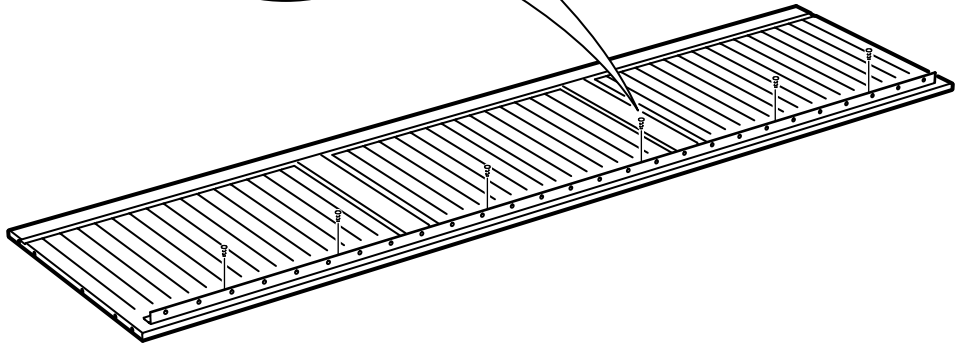
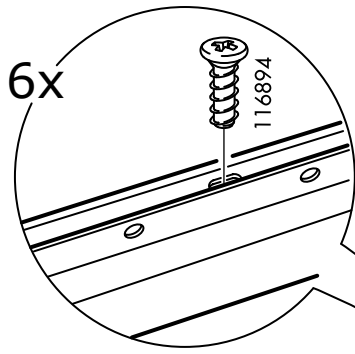
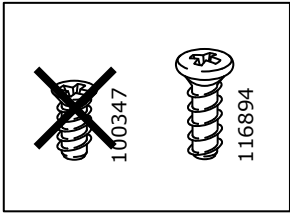


# 21

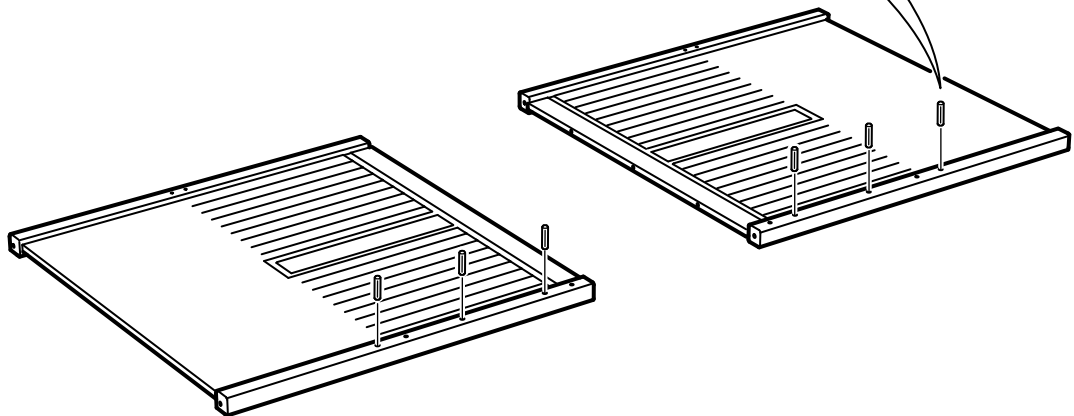
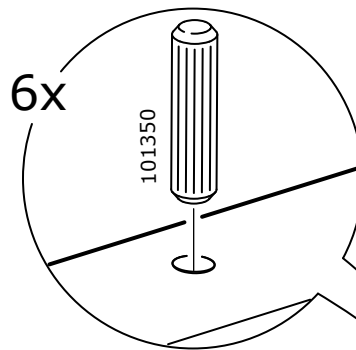




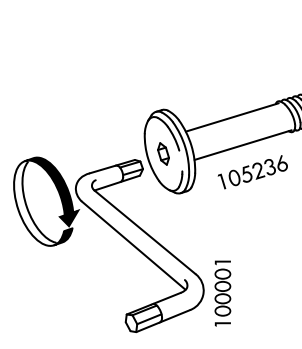
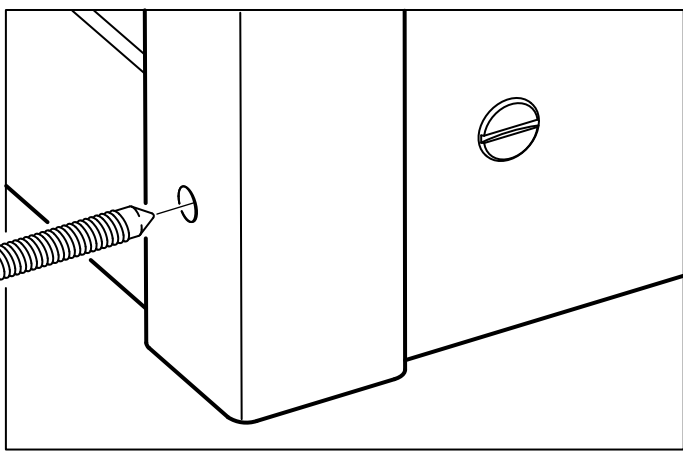
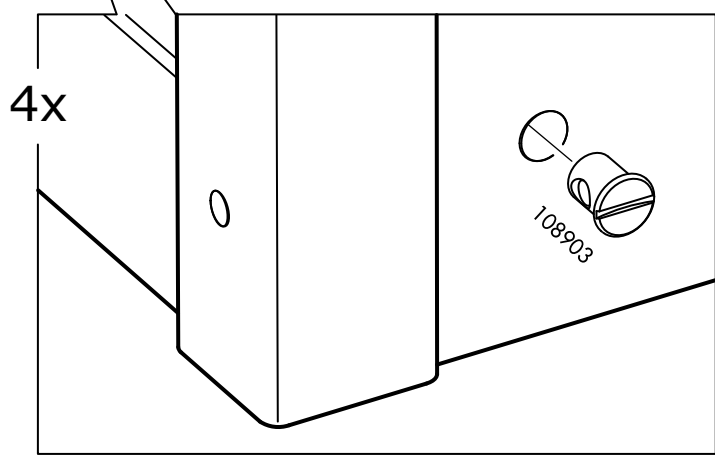
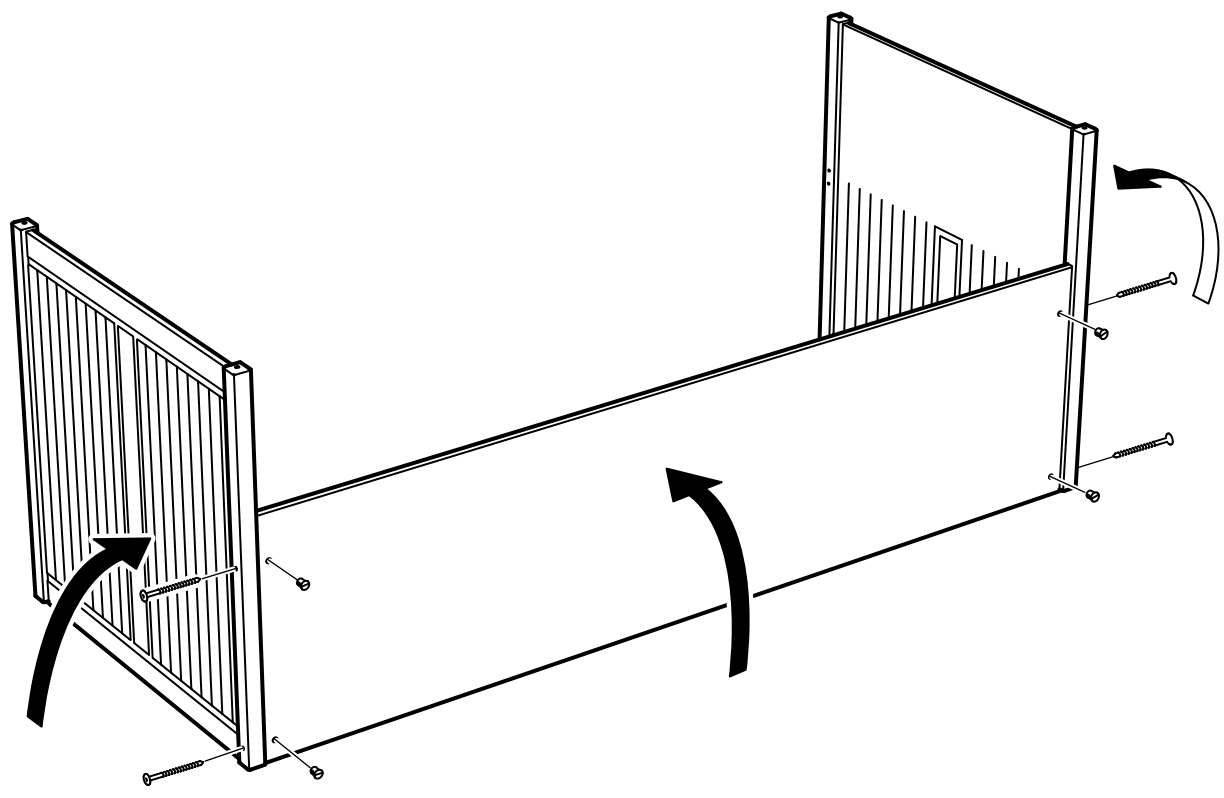
# 2



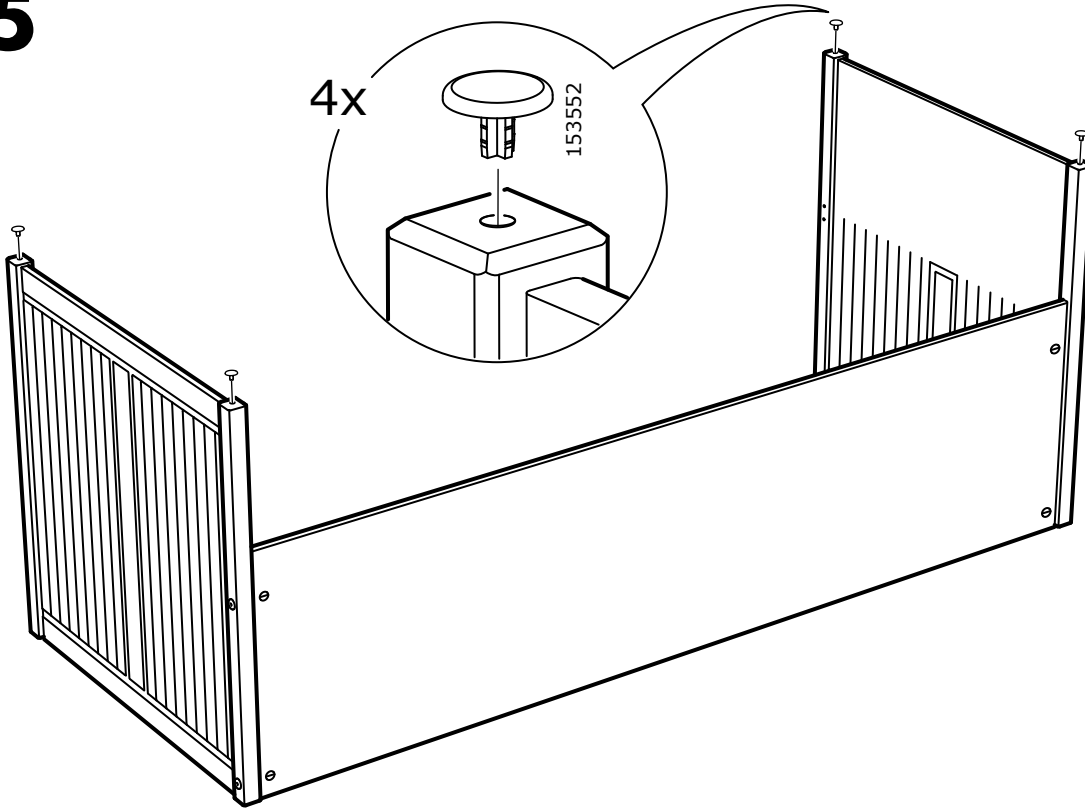
# 3



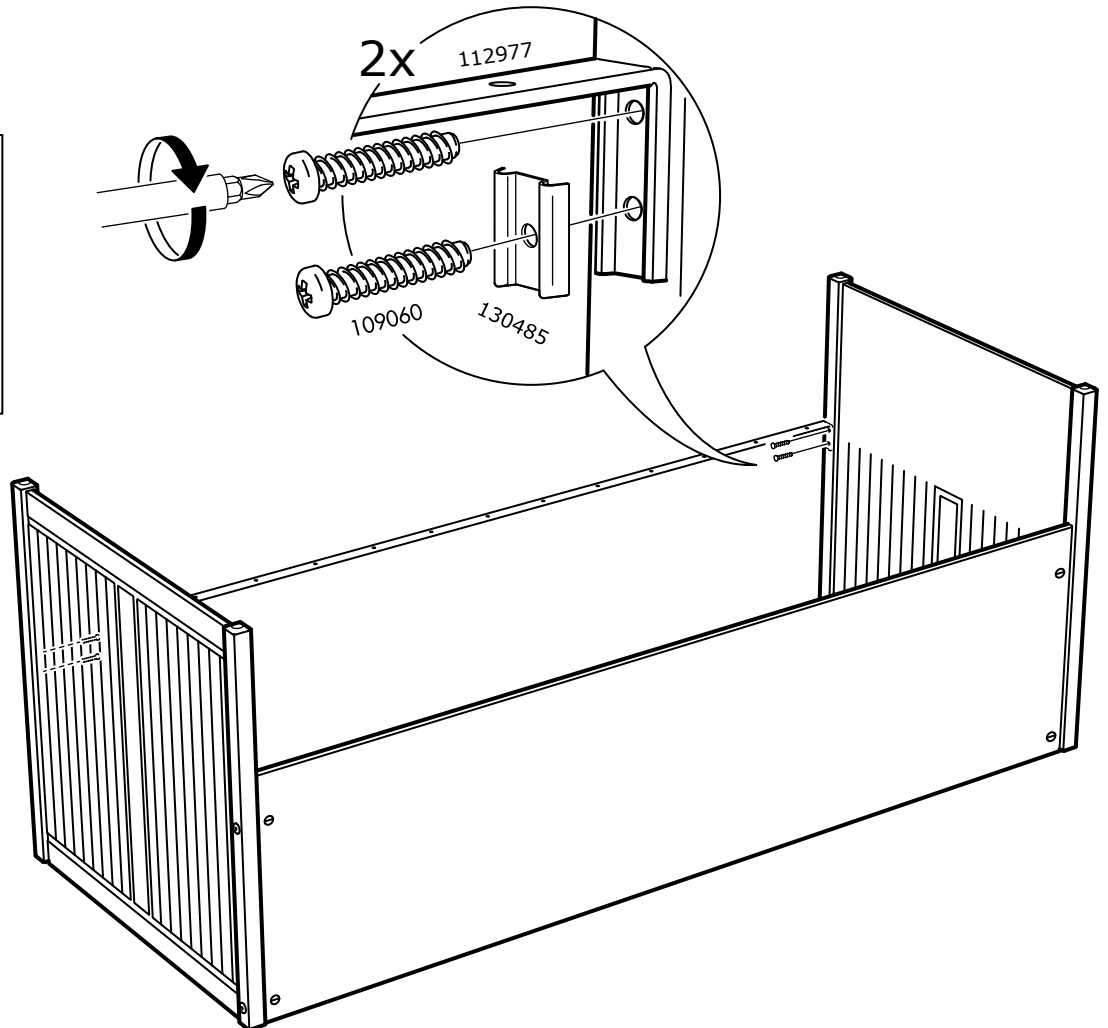
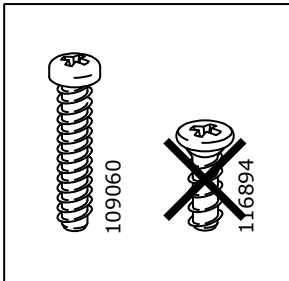
4

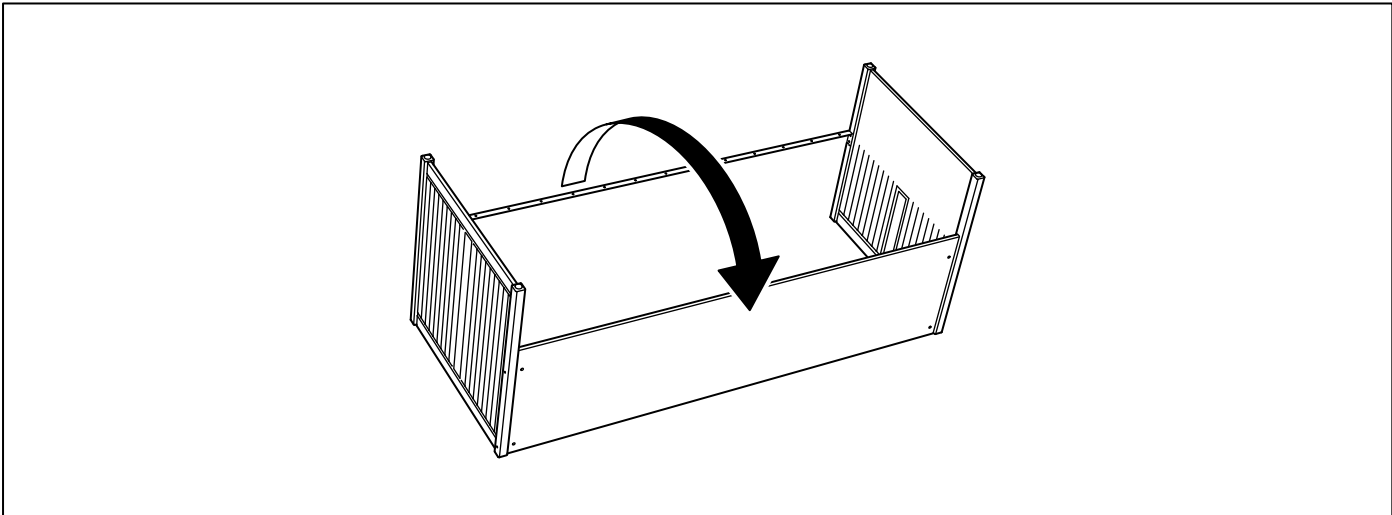


5

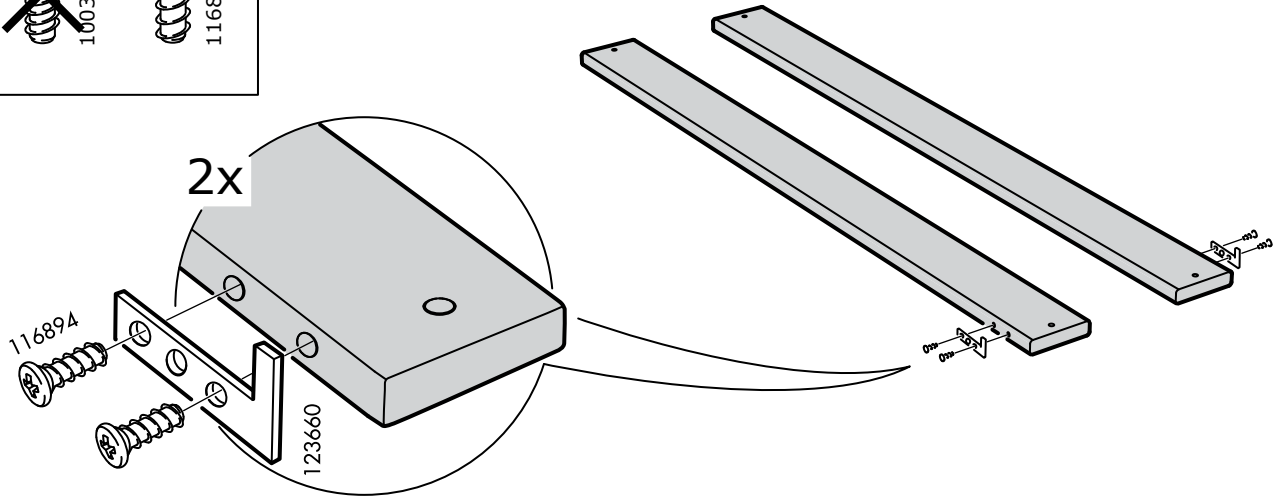
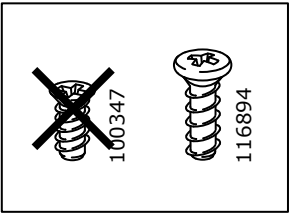
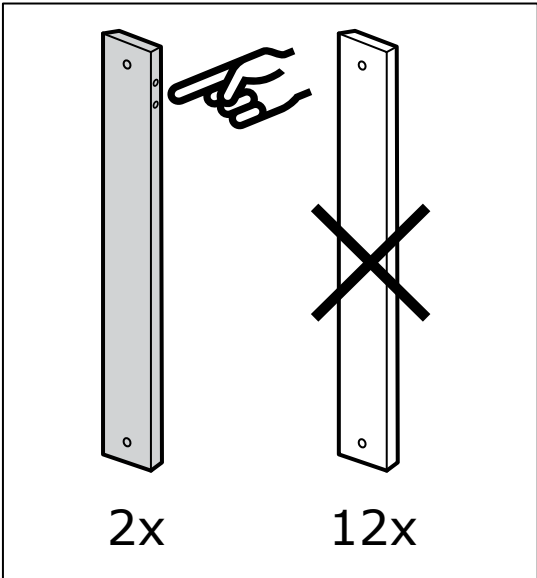


6

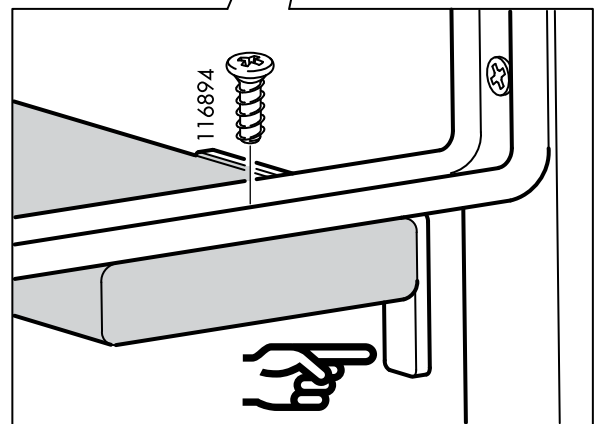
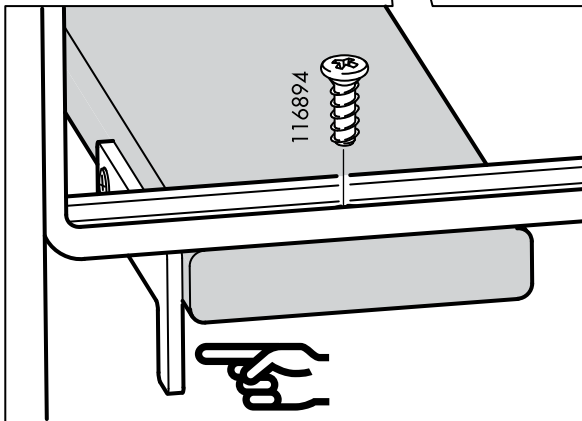
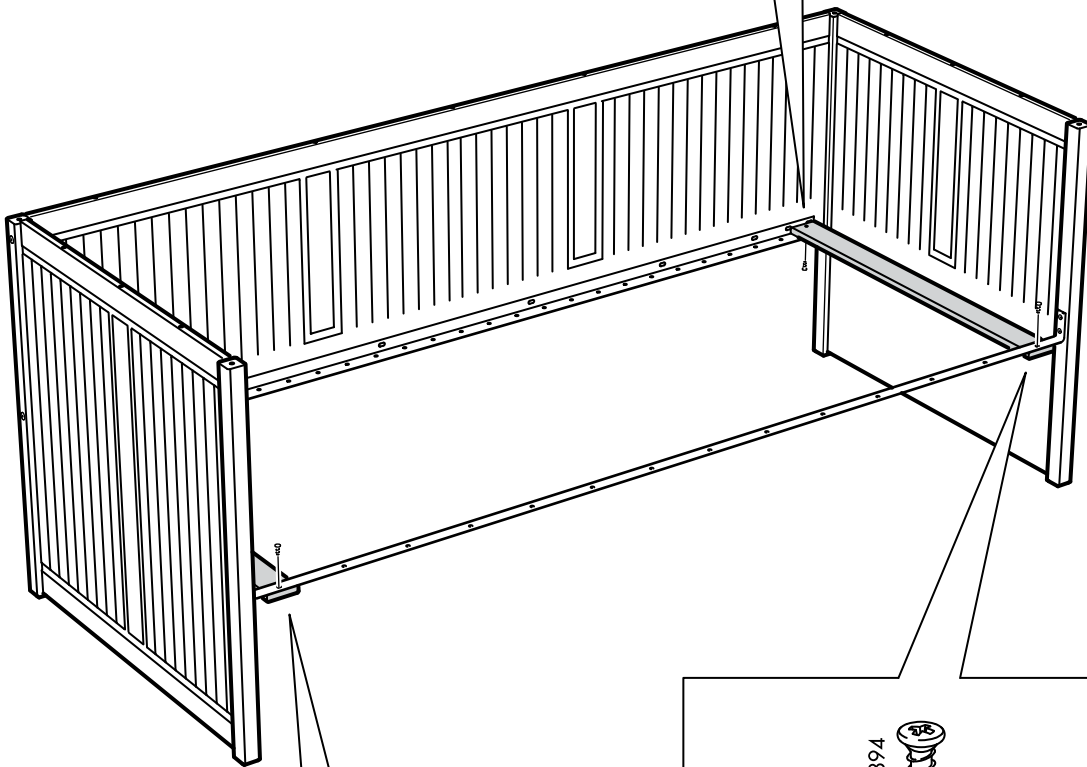
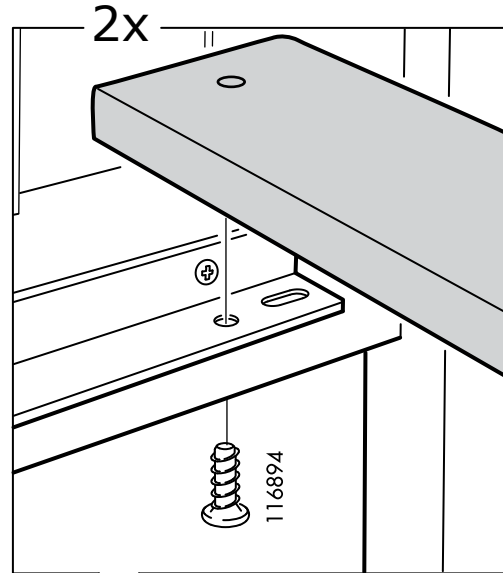
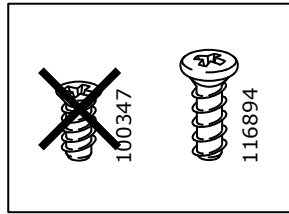




**7**

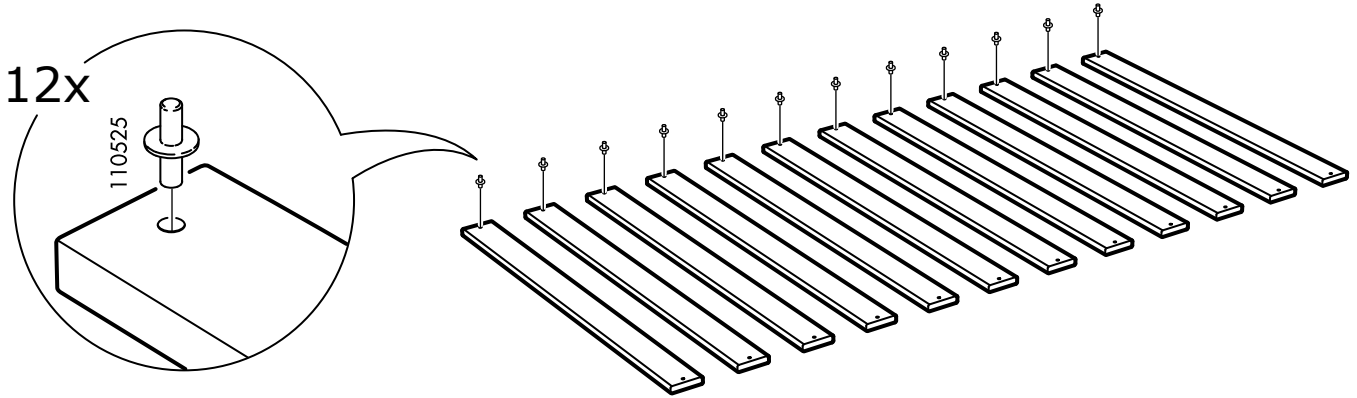


8

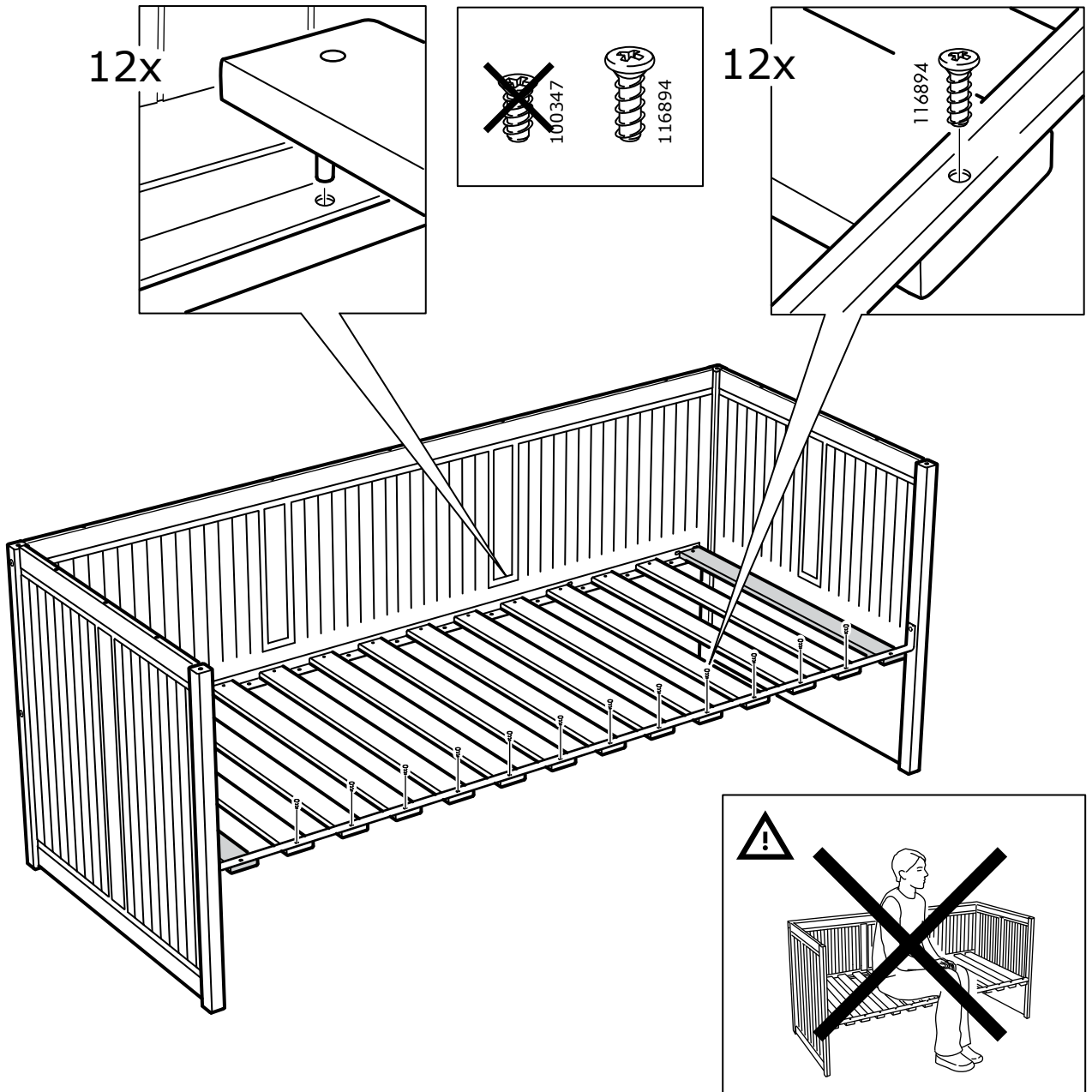




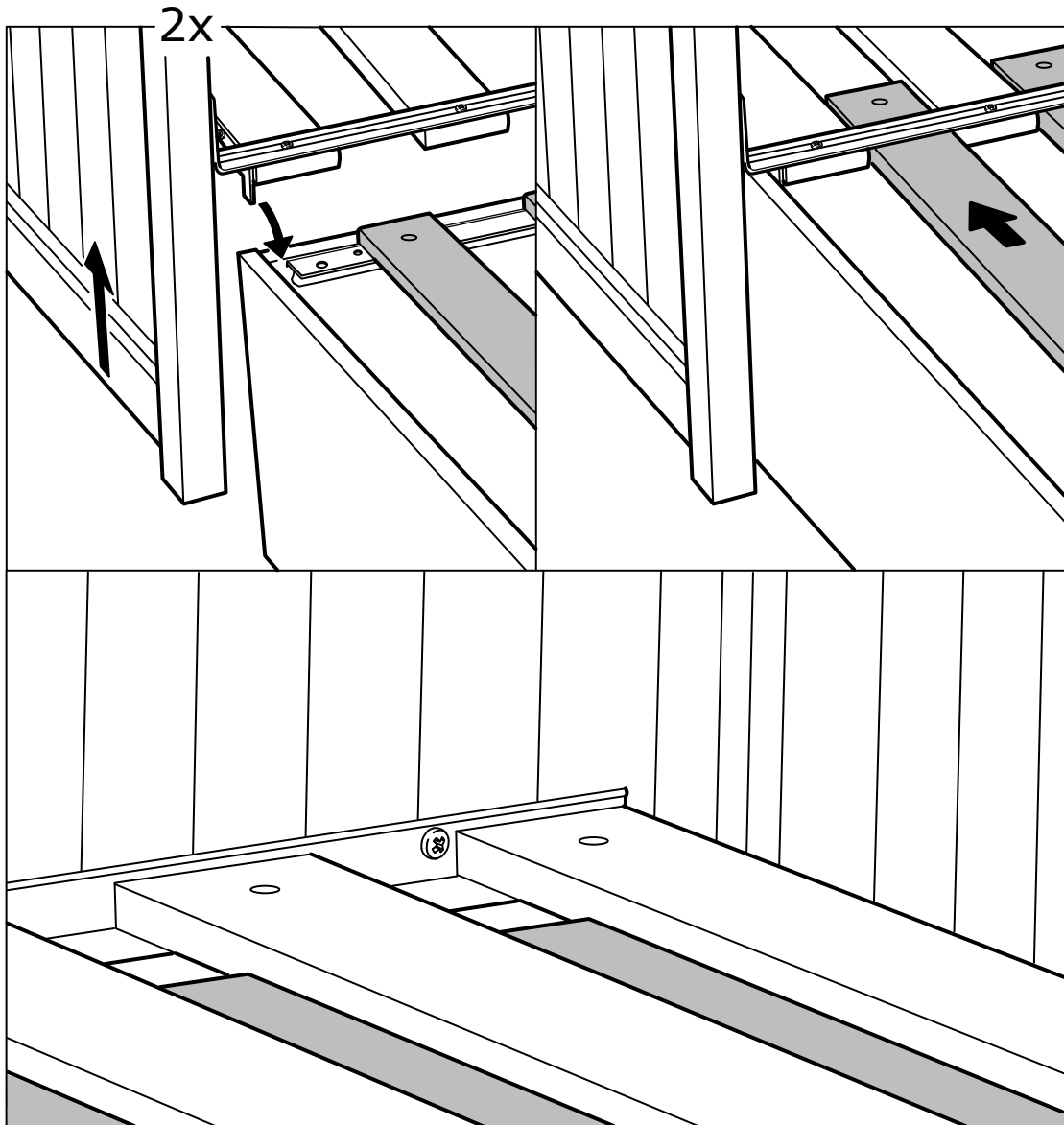
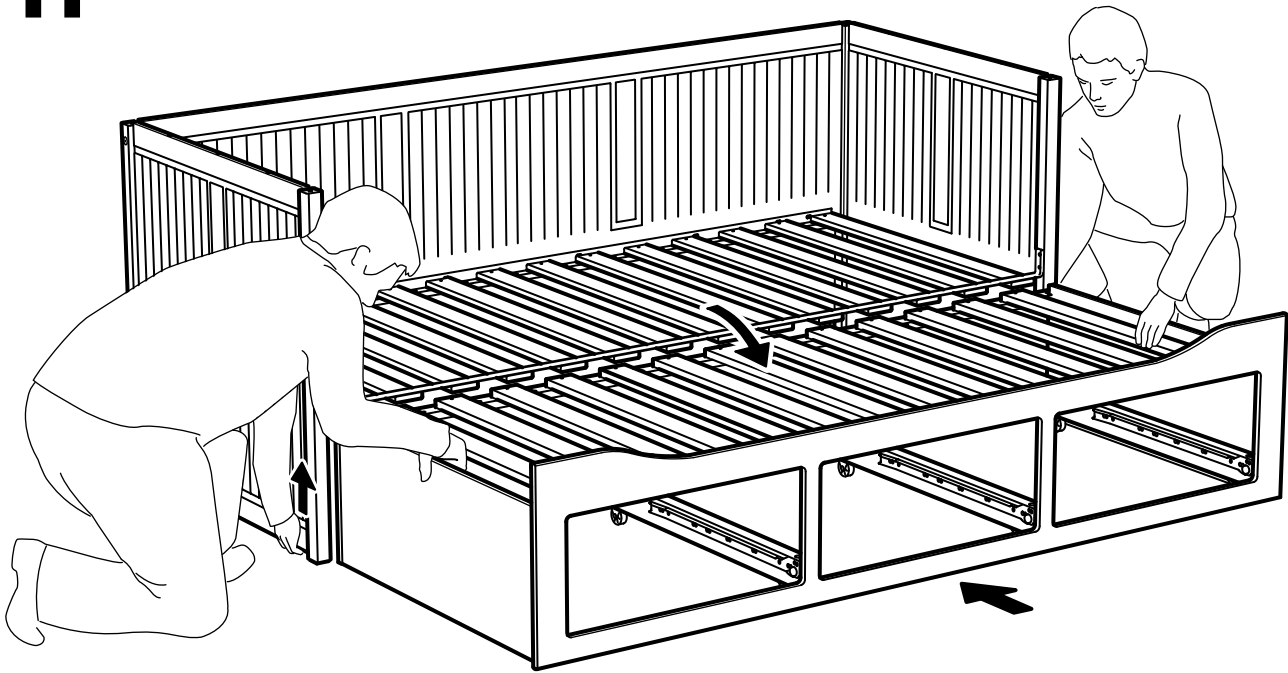
# 9



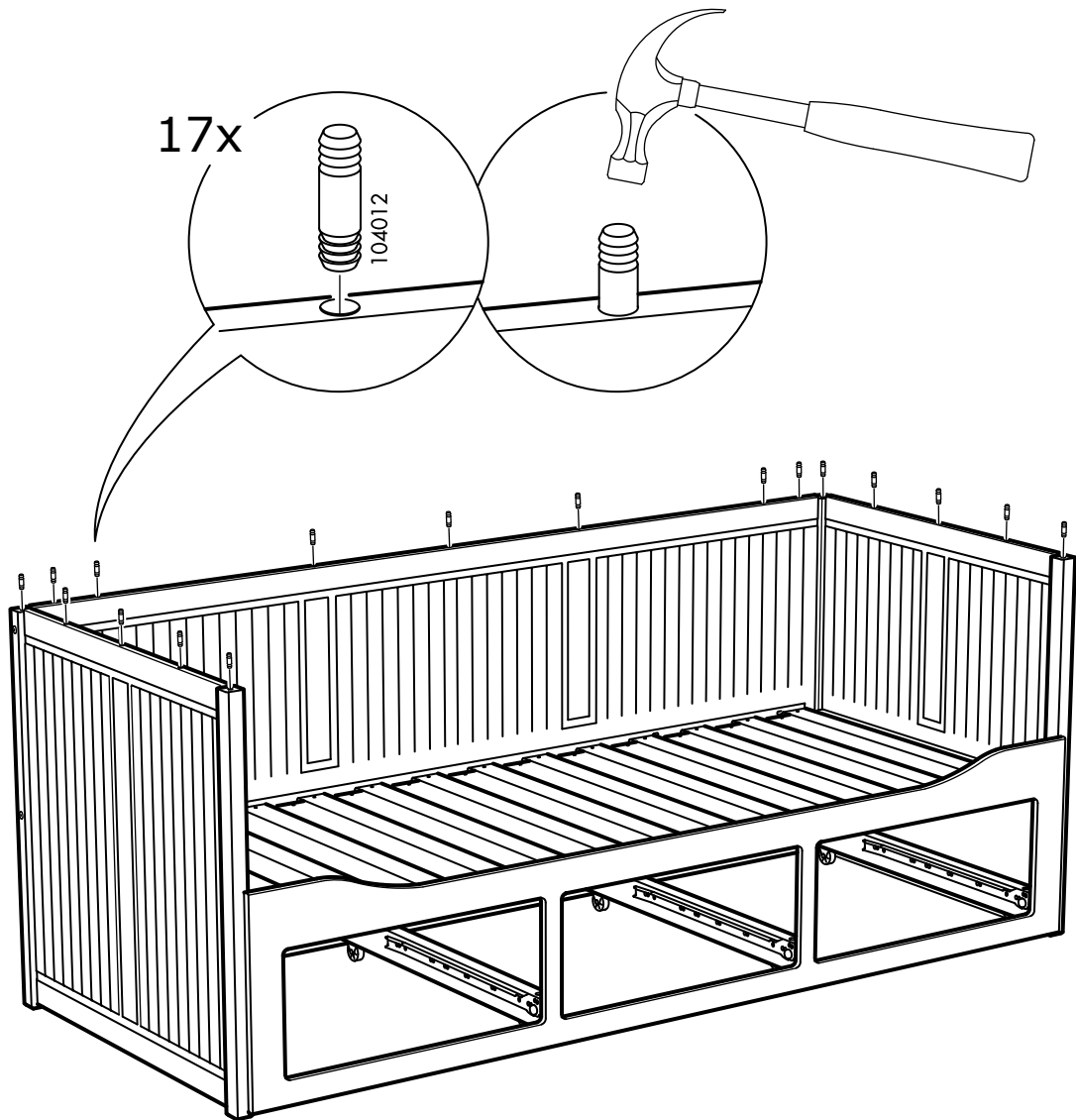
# 10



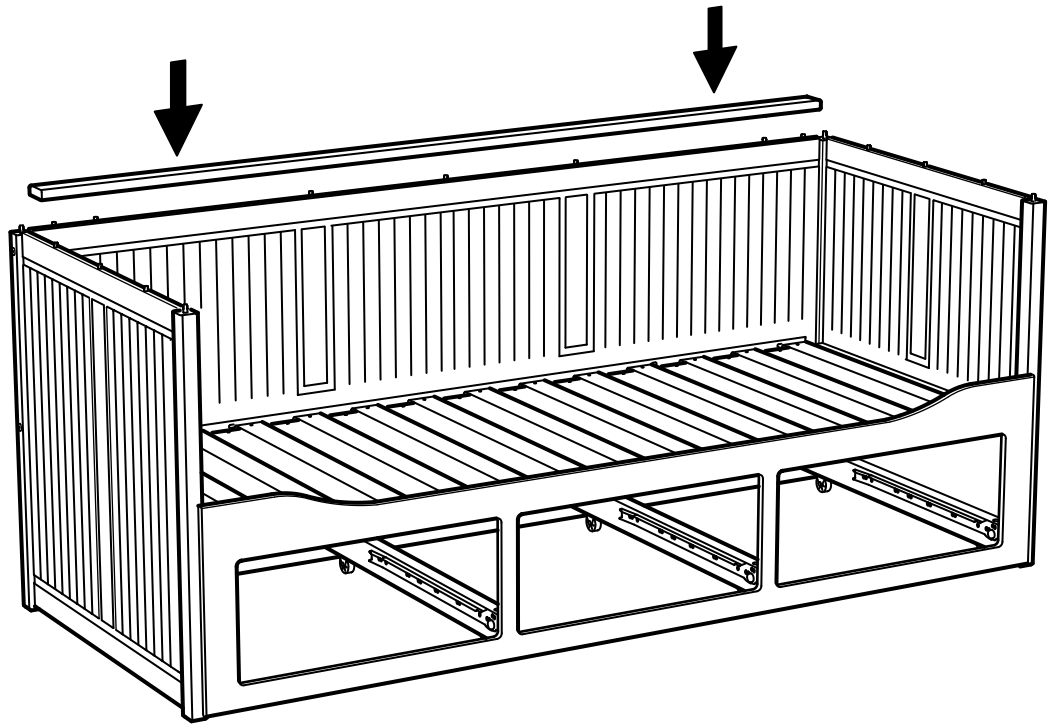
11



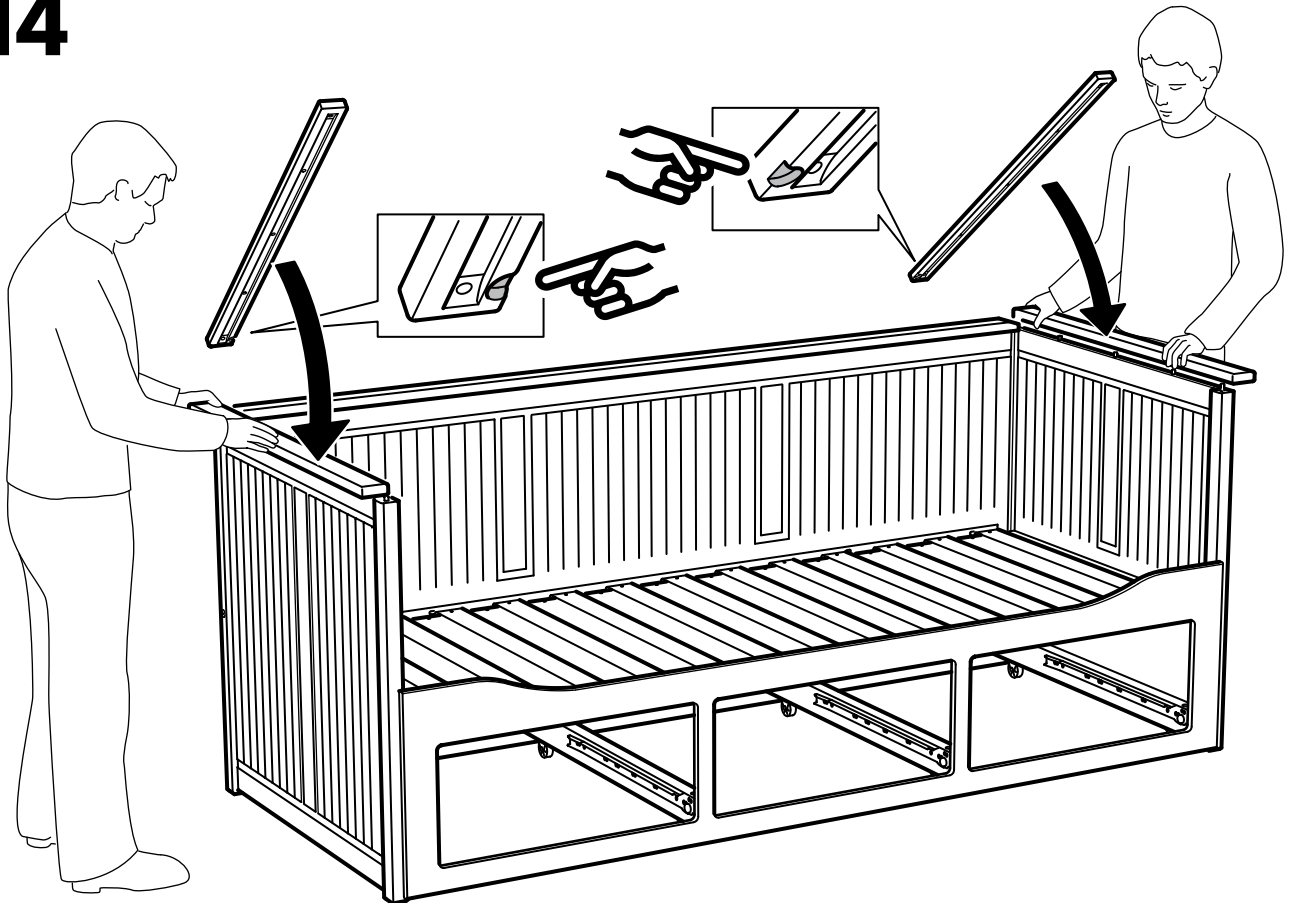
12

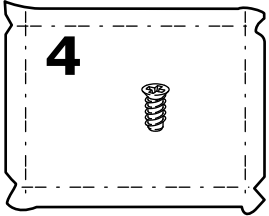
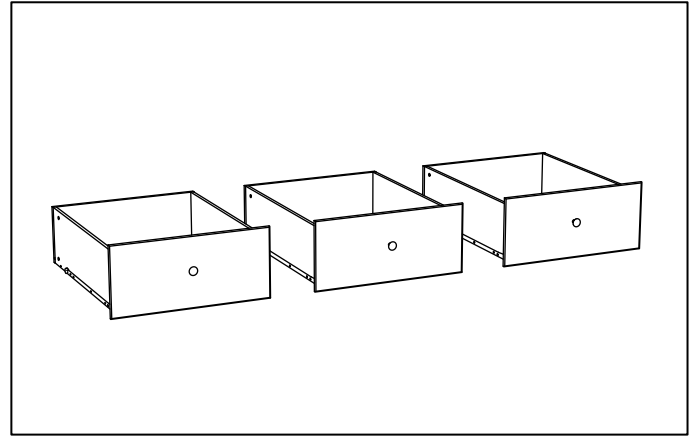
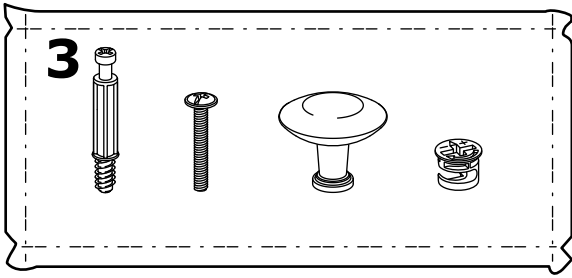


# 13

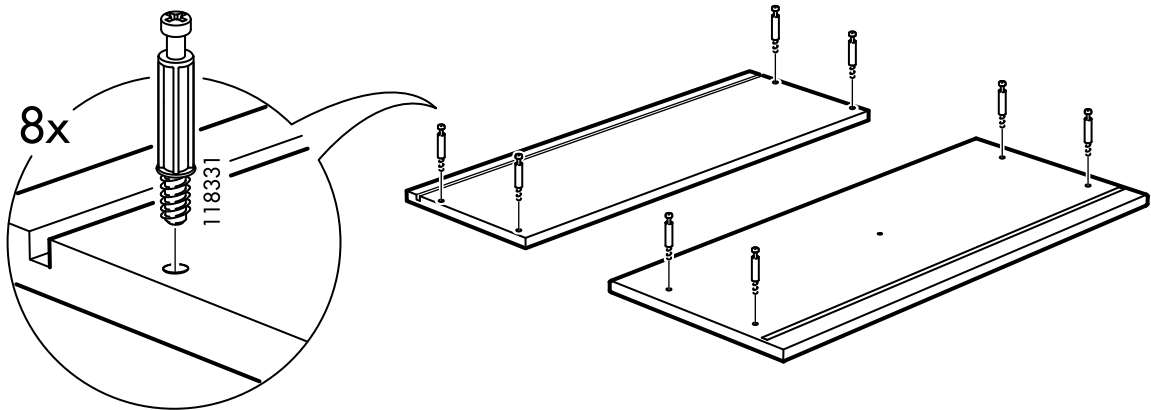


# 14

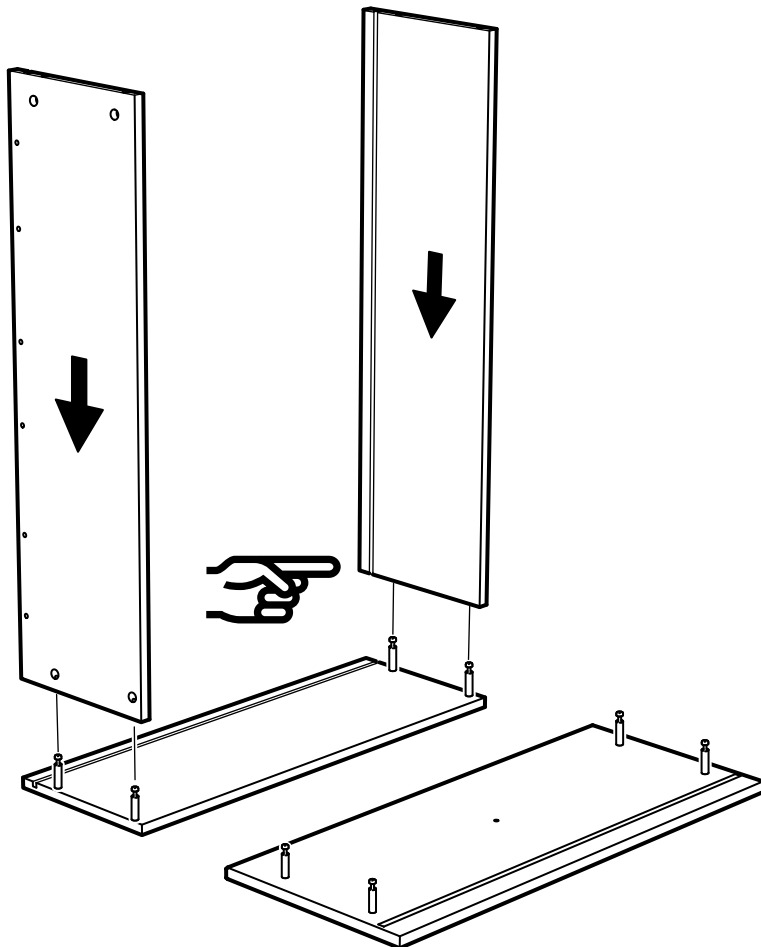




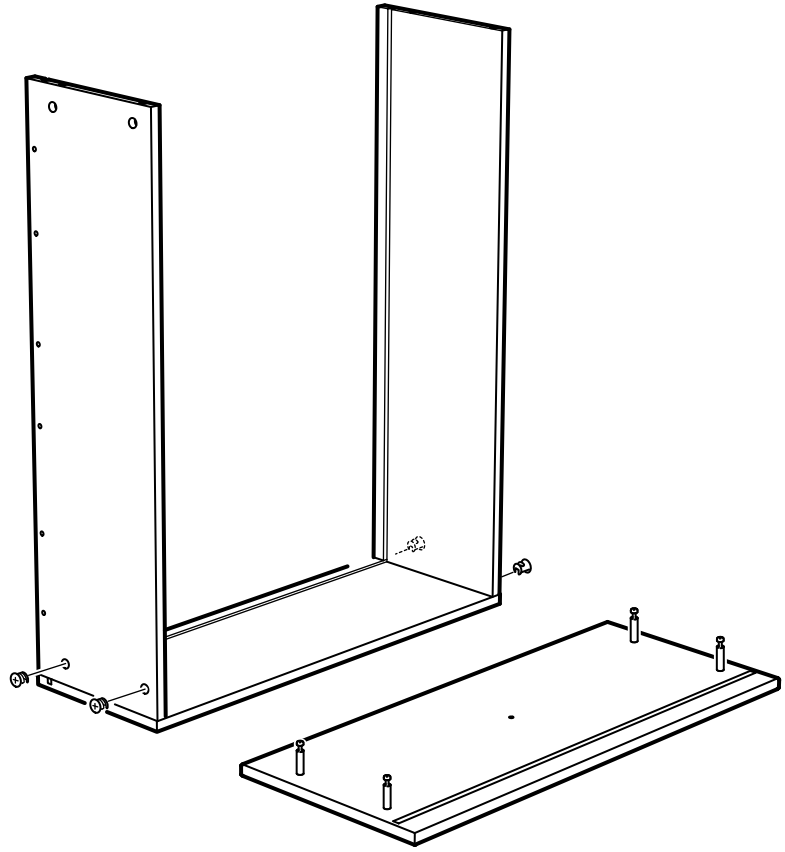
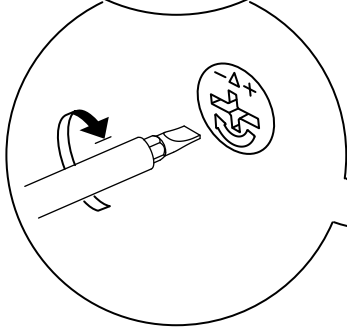
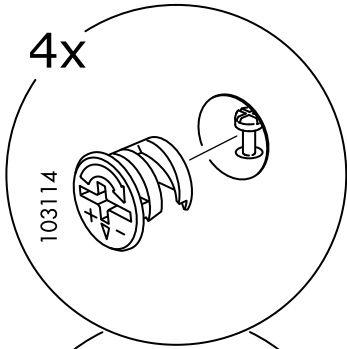
**1**



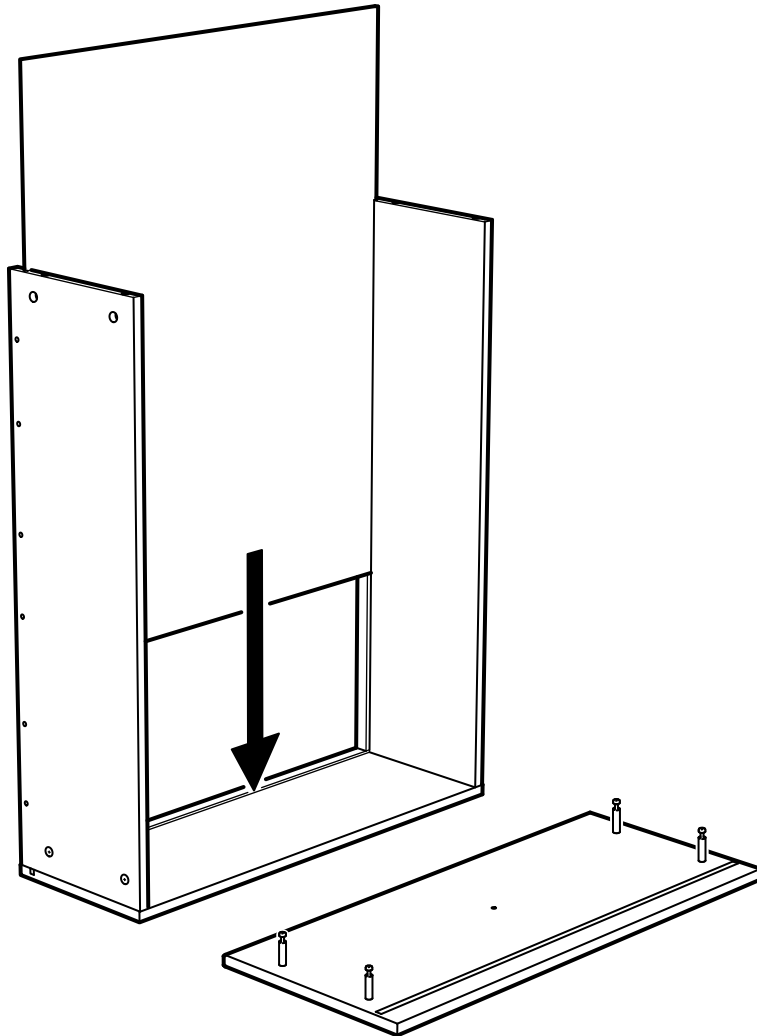
**2**



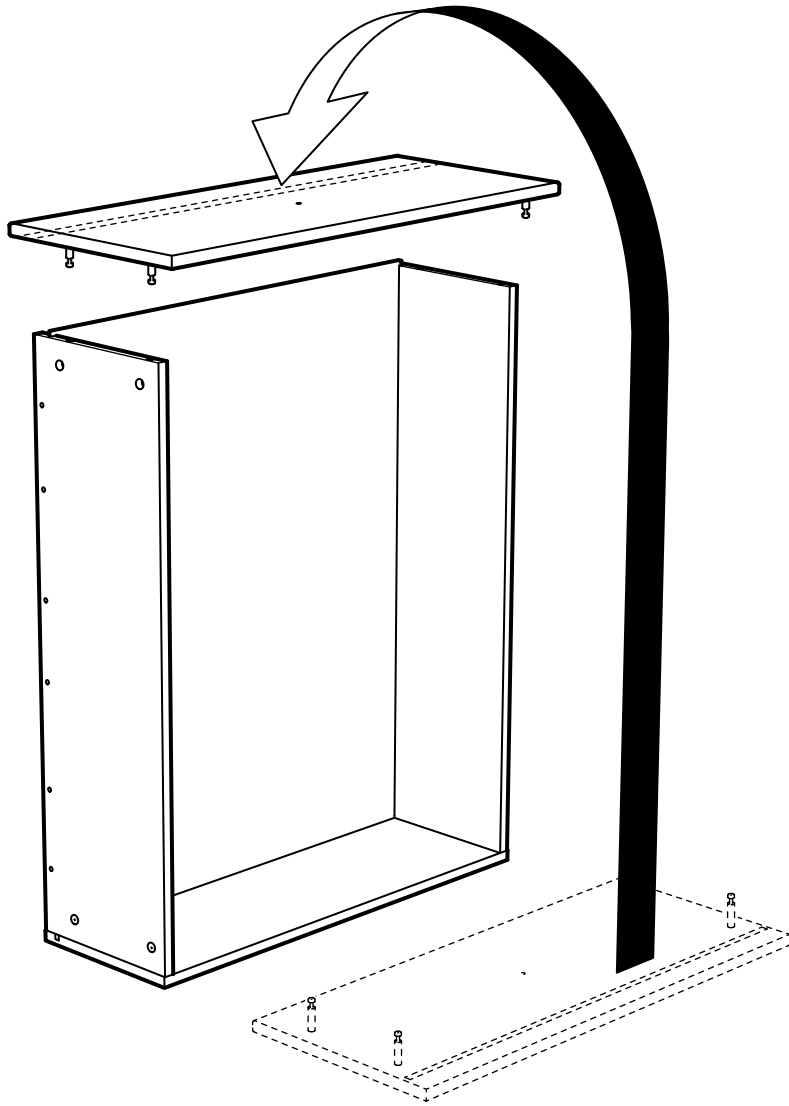
**3**



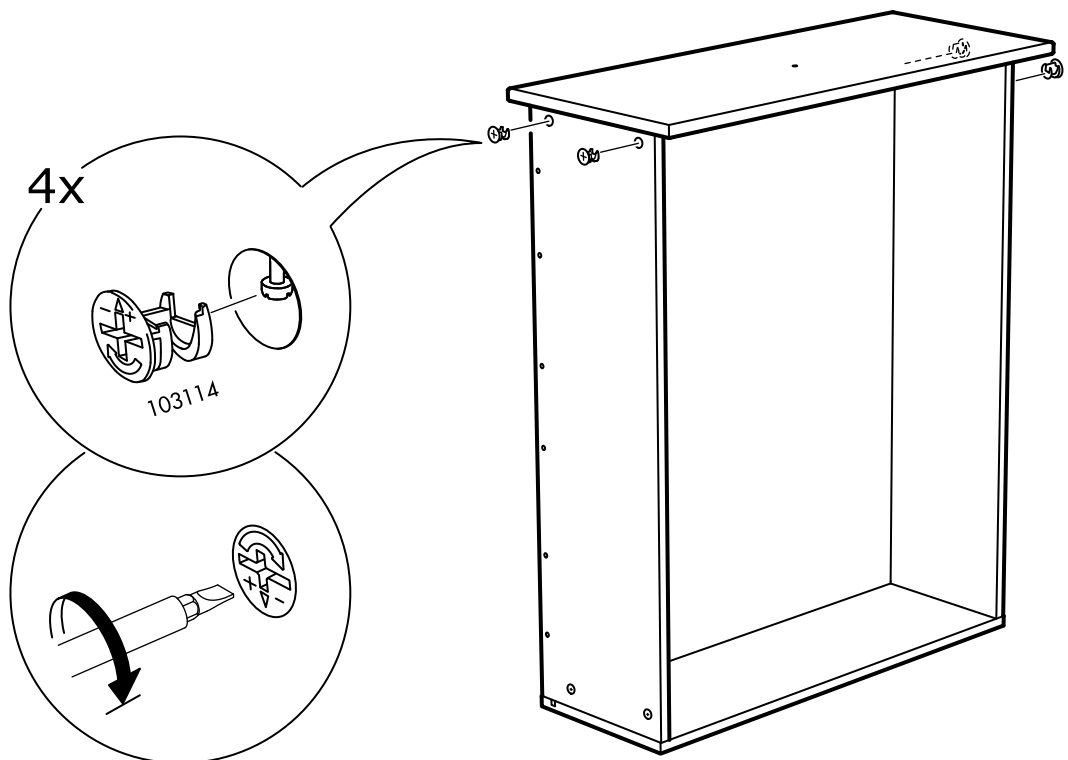
**4**



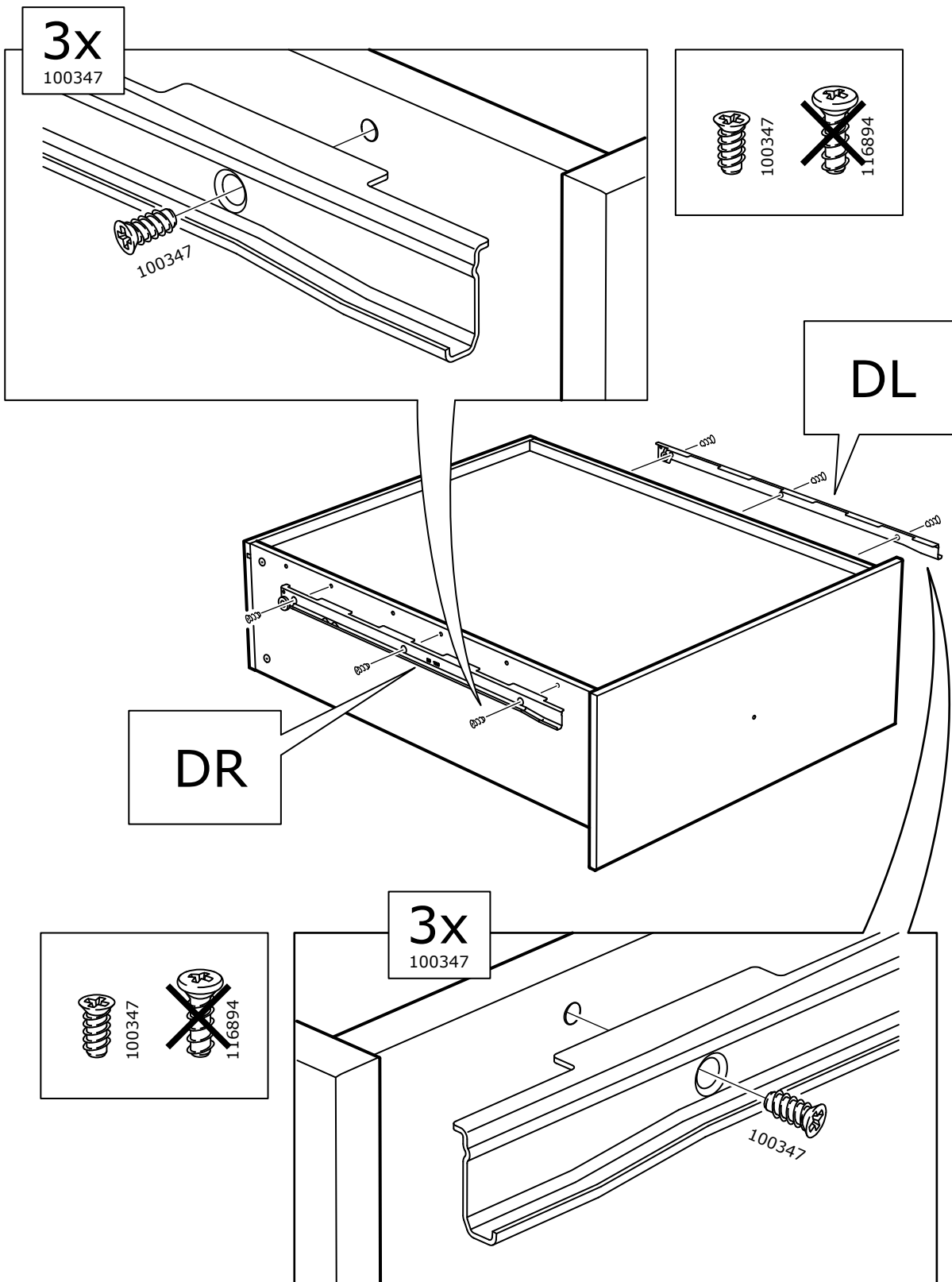
5



6

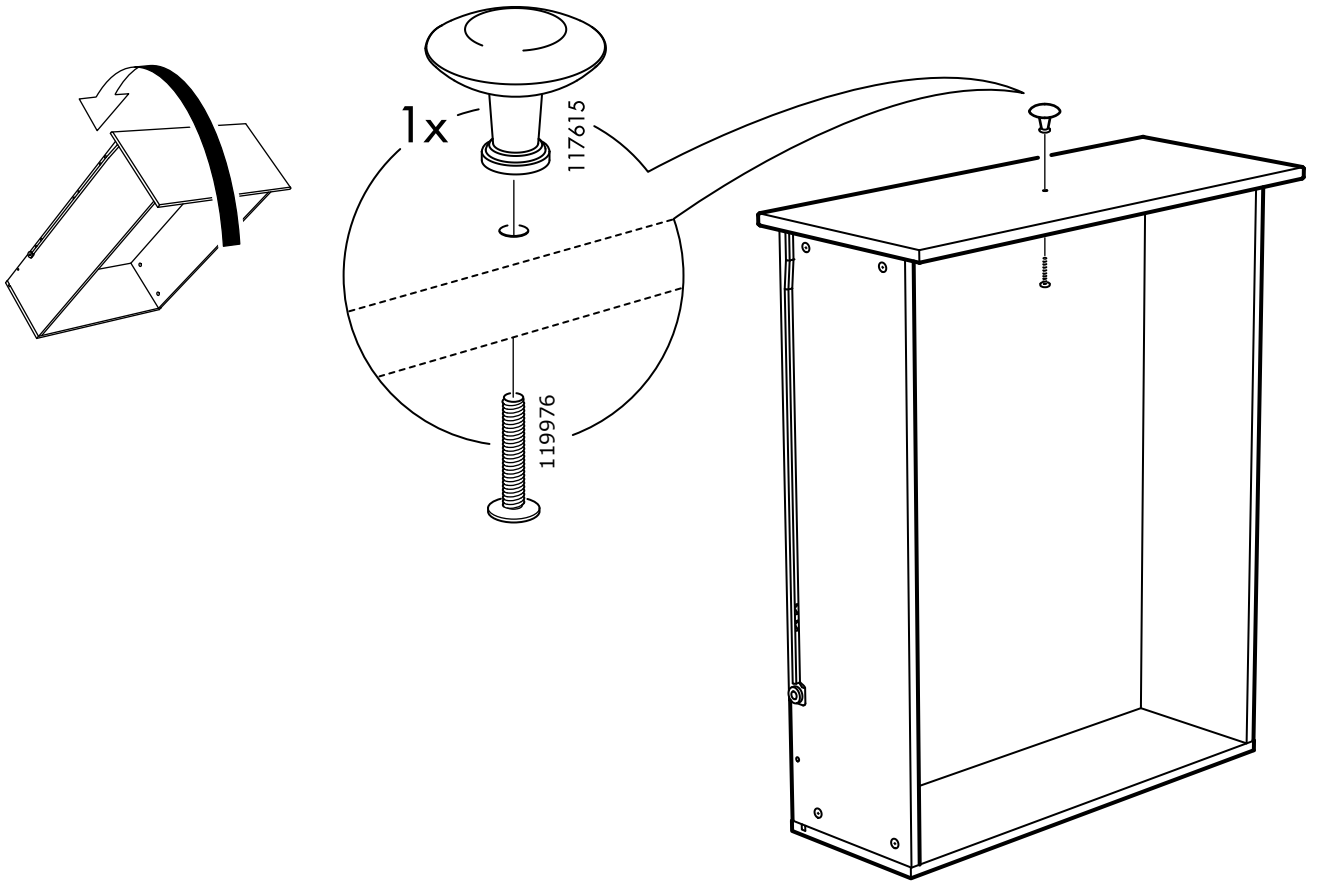


# 7





8



9

