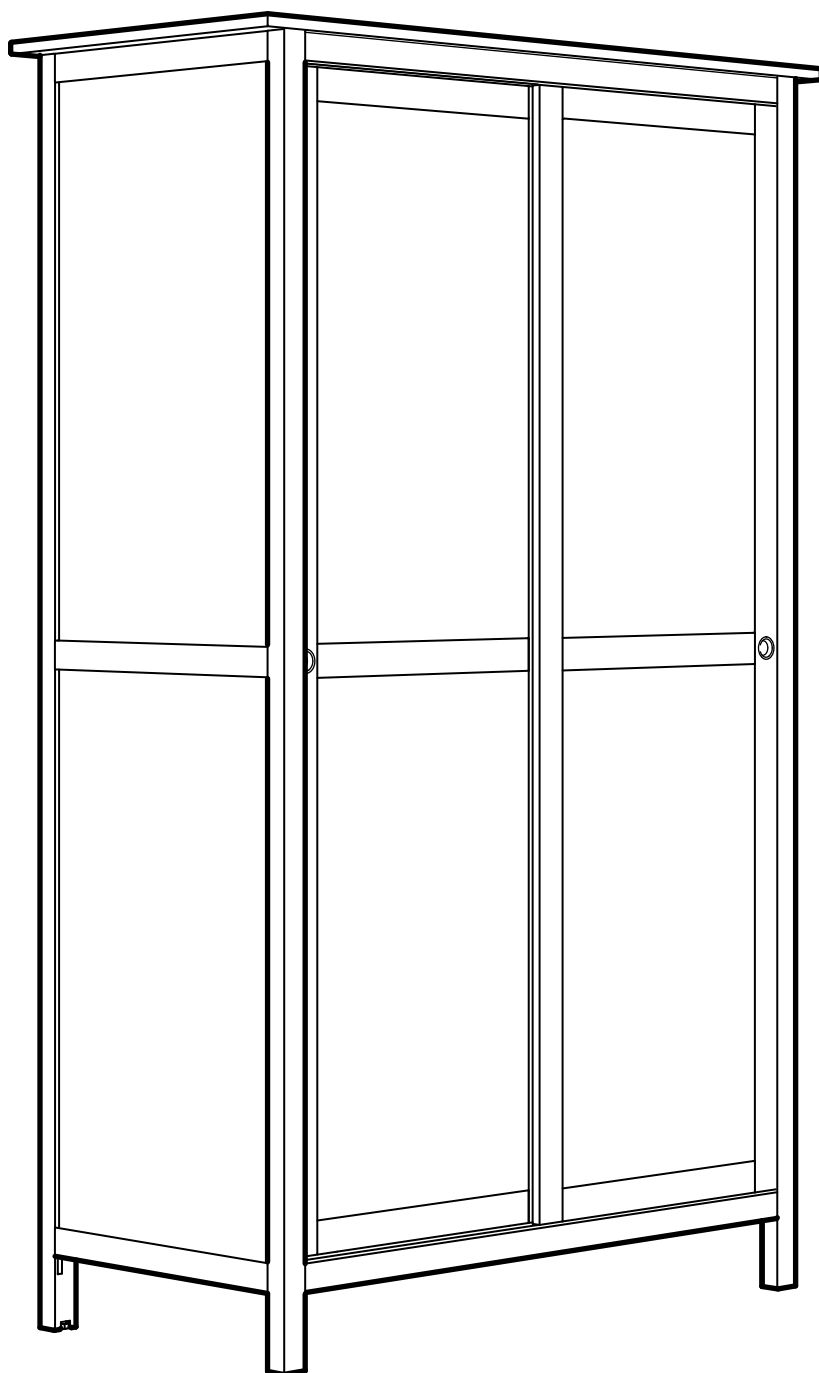


HEMNES



Design and Quality
IKEA of Sweden





ENGLISH

Important information
Read carefully.
Keep this information for further refer-
ence.

WARNING

**Serious or fatal crushing in-
juries can occur from furni-
ture tip-over. To prevent this
furniture from tipping over
it must be permanently fixed
to the wall.**

Fixing devices for the wall are not
included since different wall materials
require different types of fixing devices.
Use fixing devices suitable for the walls in
your home. For advice on suitable fixing
systems, contact your local specialized
dealer.

ENGLISH

Important information
Read carefully.
Keep this information for further refer-
ence.

WARNING

**Serious or fatal crushing in-
juries can occur from furni-
ture tip-over. To prevent this
furniture from tipping over
it must be permanently fixed
to the wall.**

Fixing devices for the wall are not
included since different wall materials
require different types of fixing devices.
Use fixing devices suitable for the walls in
your home. For advice on suitable fixing
systems, contact your local specialized
dealer.

ENGLISH

Important information
Read carefully.
Keep this information for further refer-
ence.

WARNING

**Serious or fatal crushing in-
juries can occur from furni-
ture tip-over. To prevent this
furniture from tipping over
it must be permanently fixed
to the wall.**

Fixing devices for the wall are not
included since different wall materials
require different types of fixing devices.
Use fixing devices suitable for the walls in
your home. For advice on suitable fixing
systems, contact your local specialized
dealer.

ENGLISH

Important information
Read carefully.
Keep this information for further refer-
ence.

WARNING

**Serious or fatal crushing in-
juries can occur from furni-
ture tip-over. To prevent this
furniture from tipping over
it must be permanently fixed
to the wall.**

Fixing devices for the wall are not
included since different wall materials
require different types of fixing devices.
Use fixing devices suitable for the walls in
your home. For advice on suitable fixing
systems, contact your local specialized
dealer.

ENGLISH

Important information
Read carefully.
Keep this information for further refer-
ence.

WARNING

**Serious or fatal crushing in-
juries can occur from furni-
ture tip-over. To prevent this
furniture from tipping over
it must be permanently fixed
to the wall.**

Fixing devices for the wall are not
included since different wall materials
require different types of fixing devices.
Use fixing devices suitable for the walls in
your home. For advice on suitable fixing
systems, contact your local specialized
dealer.

ENGLISH

Important information
Read carefully.
Keep this information for further refer-
ence.

WARNING

**Serious or fatal crushing in-
juries can occur from furni-
ture tip-over. To prevent this
furniture from tipping over
it must be permanently fixed
to the wall.**

Fixing devices for the wall are not
included since different wall materials
require different types of fixing devices.
Use fixing devices suitable for the walls in
your home. For advice on suitable fixing
systems, contact your local specialized
dealer.





ENGLISH

Important information
Read carefully.
Keep this information for further refer-
ence.

WARNING

**Serious or fatal crushing in-
juries can occur from furni-
ture tip-over. To prevent this
furniture from tipping over
it must be permanently fixed
to the wall.**

Fixing devices for the wall are not
included since different wall materials
require different types of fixing devices.
Use fixing devices suitable for the walls in
your home. For advice on suitable fixing
systems, contact your local specialized
dealer.

ENGLISH

Important information
Read carefully.
Keep this information for further refer-
ence.

WARNING

**Serious or fatal crushing in-
juries can occur from furni-
ture tip-over. To prevent this
furniture from tipping over
it must be permanently fixed
to the wall.**

Fixing devices for the wall are not
included since different wall materials
require different types of fixing devices.
Use fixing devices suitable for the walls in
your home. For advice on suitable fixing
systems, contact your local specialized
dealer.

ENGLISH

Important information
Read carefully.
Keep this information for further refer-
ence.

WARNING

**Serious or fatal crushing in-
juries can occur from furni-
ture tip-over. To prevent this
furniture from tipping over
it must be permanently fixed
to the wall.**

Fixing devices for the wall are not
included since different wall materials
require different types of fixing devices.
Use fixing devices suitable for the walls in
your home. For advice on suitable fixing
systems, contact your local specialized
dealer.

ENGLISH

Important information
Read carefully.
Keep this information for further refer-
ence.

WARNING

**Serious or fatal crushing in-
juries can occur from furni-
ture tip-over. To prevent this
furniture from tipping over
it must be permanently fixed
to the wall.**

Fixing devices for the wall are not
included since different wall materials
require different types of fixing devices.
Use fixing devices suitable for the walls in
your home. For advice on suitable fixing
systems, contact your local specialized
dealer.

ENGLISH

Important information
Read carefully.
Keep this information for further refer-
ence.

WARNING

**Serious or fatal crushing in-
juries can occur from furni-
ture tip-over. To prevent this
furniture from tipping over
it must be permanently fixed
to the wall.**

Fixing devices for the wall are not
included since different wall materials
require different types of fixing devices.
Use fixing devices suitable for the walls in
your home. For advice on suitable fixing
systems, contact your local specialized
dealer.

ENGLISH

Important information
Read carefully.
Keep this information for further refer-
ence.

WARNING

**Serious or fatal crushing in-
juries can occur from furni-
ture tip-over. To prevent this
furniture from tipping over
it must be permanently fixed
to the wall.**

Fixing devices for the wall are not
included since different wall materials
require different types of fixing devices.
Use fixing devices suitable for the walls in
your home. For advice on suitable fixing
systems, contact your local specialized
dealer.



ENGLISH

Important information
Read carefully.
Keep this information for further refer-
ence.

WARNING

**Serious or fatal crushing in-
juries can occur from furni-
ture tip-over. To prevent this
furniture from tipping over
it must be permanently fixed
to the wall.**

Fixing devices for the wall are not
included since different wall materials
require different types of fixing devices.
Use fixing devices suitable for the walls in
your home. For advice on suitable fixing
systems, contact your local specialized
dealer.

ENGLISH

Important information
Read carefully.
Keep this information for further refer-
ence.

WARNING

**Serious or fatal crushing in-
juries can occur from furni-
ture tip-over. To prevent this
furniture from tipping over
it must be permanently fixed
to the wall.**

Fixing devices for the wall are not
included since different wall materials
require different types of fixing devices.
Use fixing devices suitable for the walls in
your home. For advice on suitable fixing
systems, contact your local specialized
dealer.

ENGLISH

Important information
Read carefully.
Keep this information for further refer-
ence.

WARNING

**Serious or fatal crushing in-
juries can occur from furni-
ture tip-over. To prevent this
furniture from tipping over
it must be permanently fixed
to the wall.**

Fixing devices for the wall are not
included since different wall materials
require different types of fixing devices.
Use fixing devices suitable for the walls in
your home. For advice on suitable fixing
systems, contact your local specialized
dealer.

ENGLISH

Important information
Read carefully.
Keep this information for further refer-
ence.

WARNING

**Serious or fatal crushing in-
juries can occur from furni-
ture tip-over. To prevent this
furniture from tipping over
it must be permanently fixed
to the wall.**

Fixing devices for the wall are not
included since different wall materials
require different types of fixing devices.
Use fixing devices suitable for the walls in
your home. For advice on suitable fixing
systems, contact your local specialized
dealer.

ENGLISH

Important information
Read carefully.
Keep this information for further refer-
ence.

WARNING

**Serious or fatal crushing in-
juries can occur from furni-
ture tip-over. To prevent this
furniture from tipping over
it must be permanently fixed
to the wall.**

Fixing devices for the wall are not
included since different wall materials
require different types of fixing devices.
Use fixing devices suitable for the walls in
your home. For advice on suitable fixing
systems, contact your local specialized
dealer.

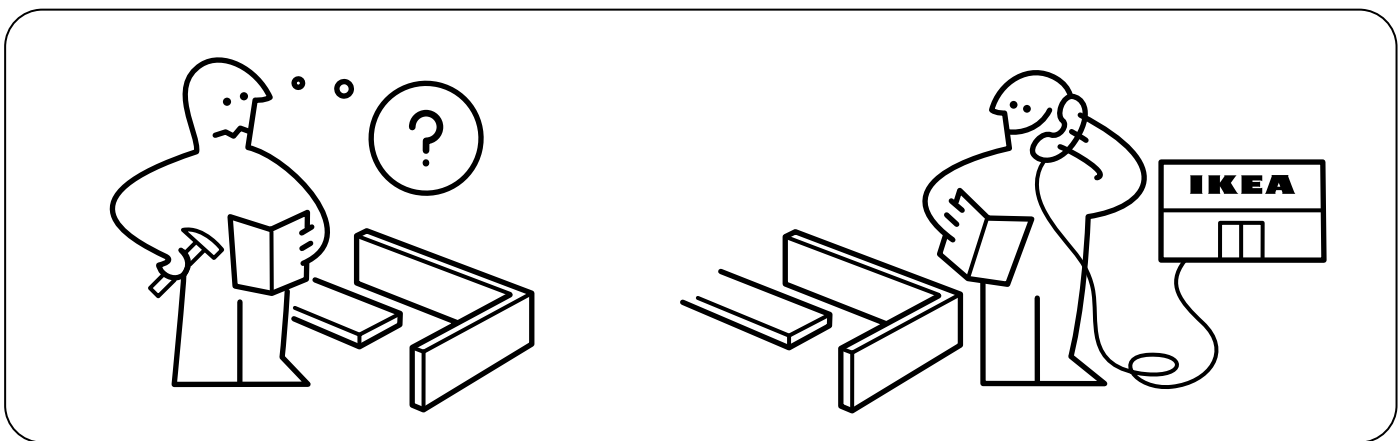
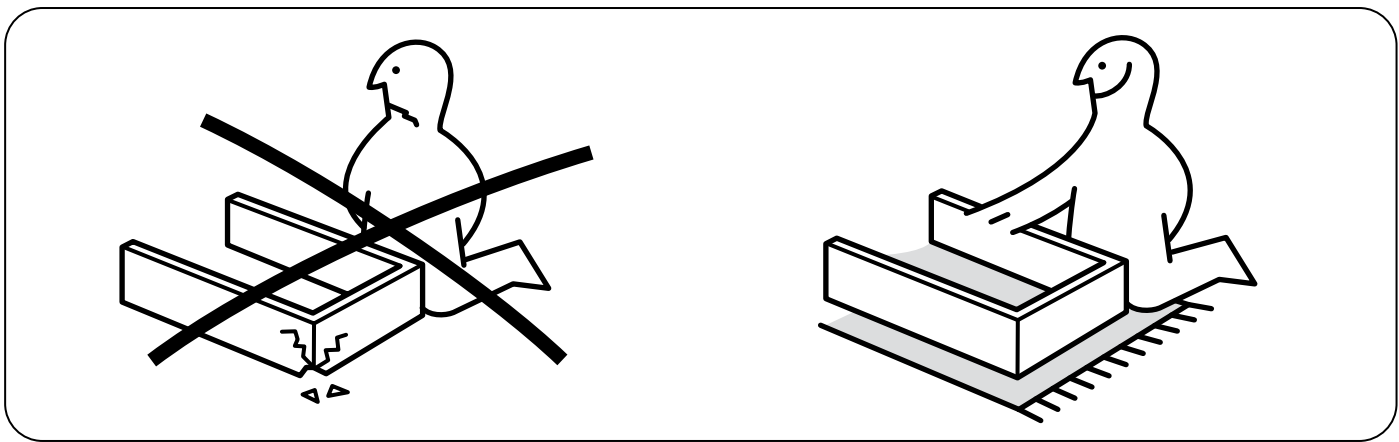
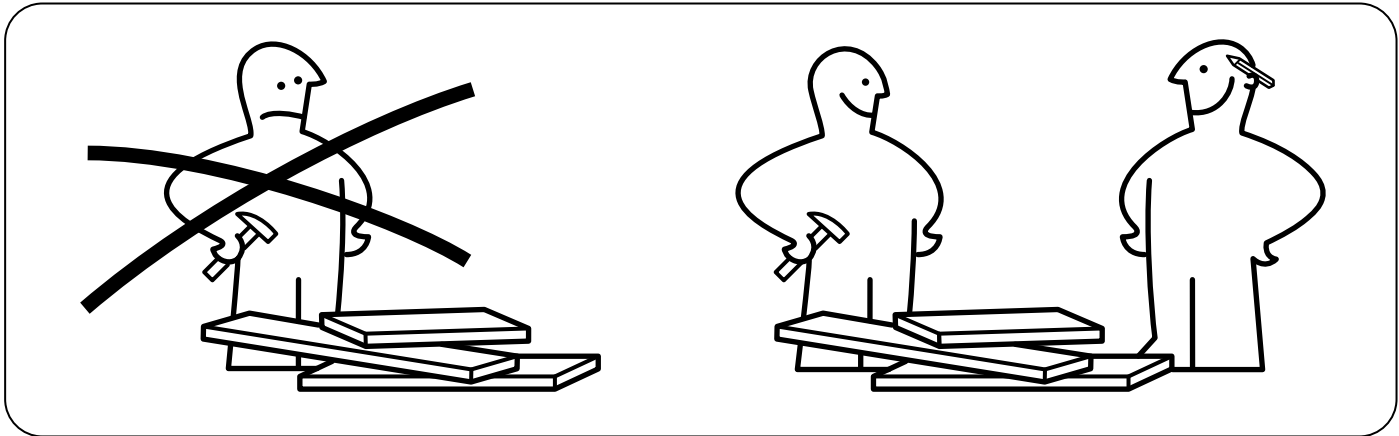
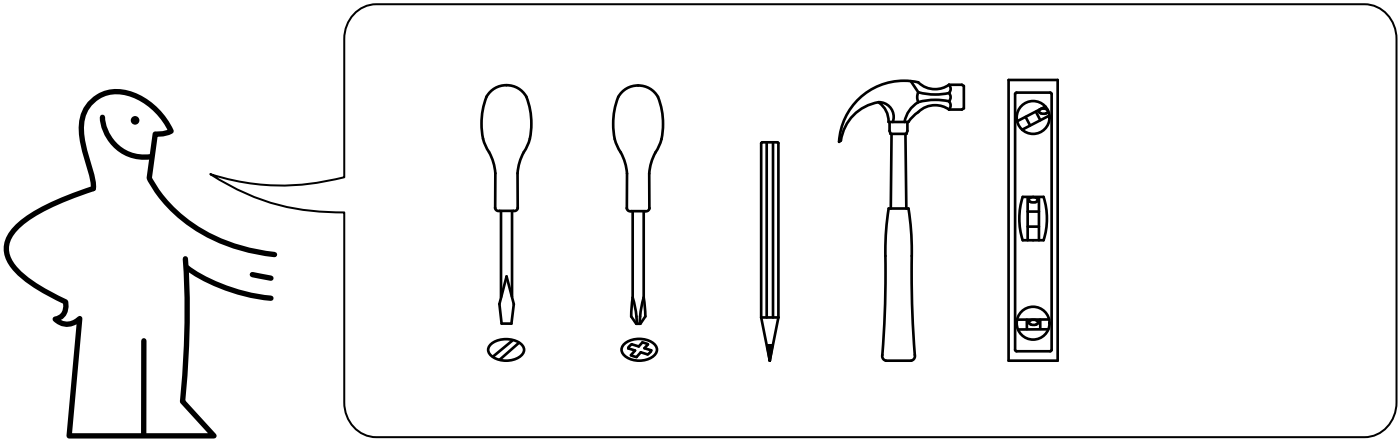
ENGLISH

Important information
Read carefully.
Keep this information for further refer-
ence.

WARNING

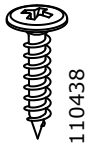
**Serious or fatal crushing in-
juries can occur from furni-
ture tip-over. To prevent this
furniture from tipping over
it must be permanently fixed
to the wall.**

Fixing devices for the wall are not
included since different wall materials
require different types of fixing devices.
Use fixing devices suitable for the walls in
your home. For advice on suitable fixing
systems, contact your local specialized
dealer.





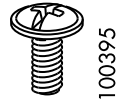
2x



10x



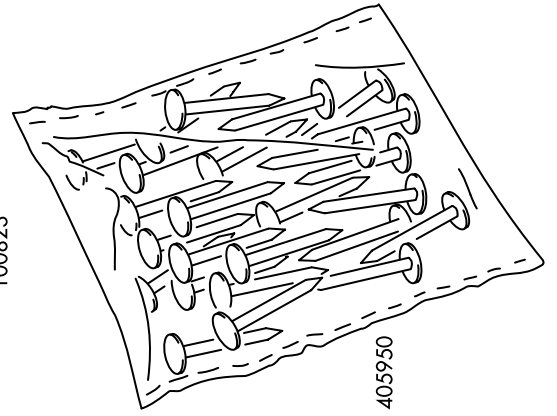
10x



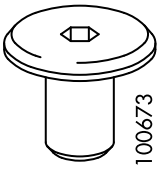
2x



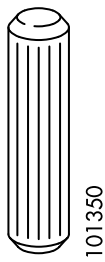
4x



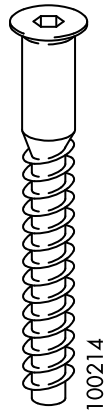
405950



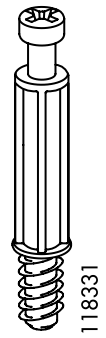
2x



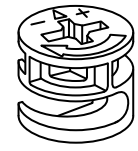
22x



10x

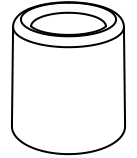


17x



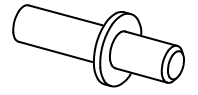
17x

1x



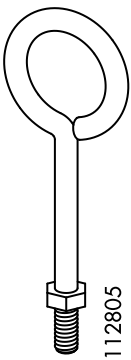
1x

121292



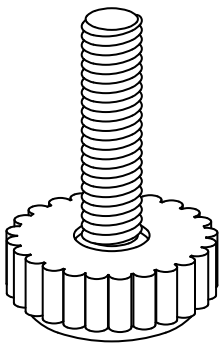
4x

104171



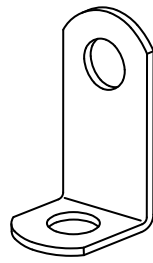
2x

112805



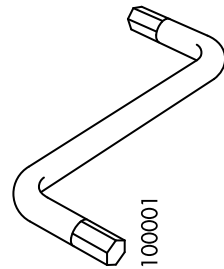
4x

102728



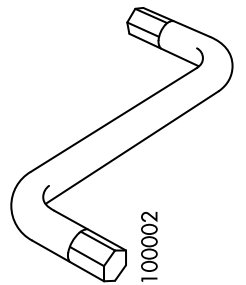
1x

102553



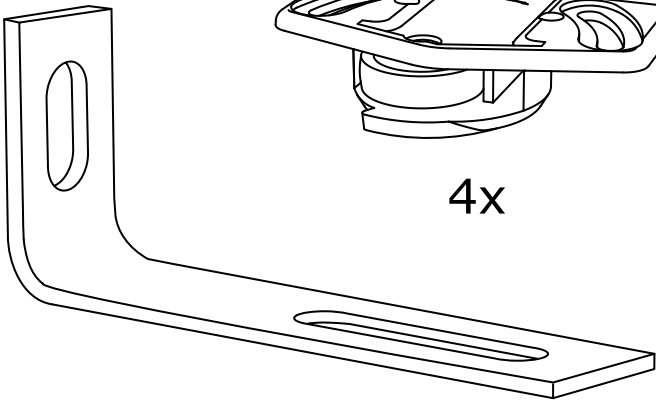
1x

100001



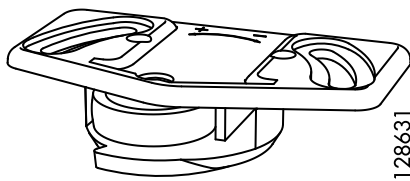
1x

100002



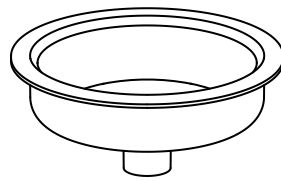
2x

106989



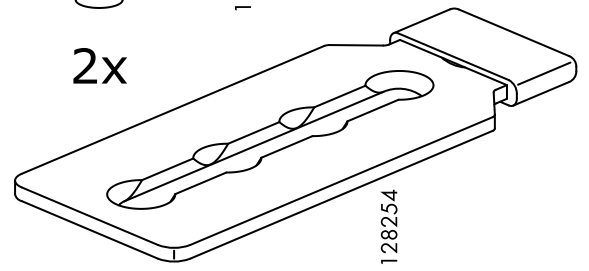
4x

128631



2x

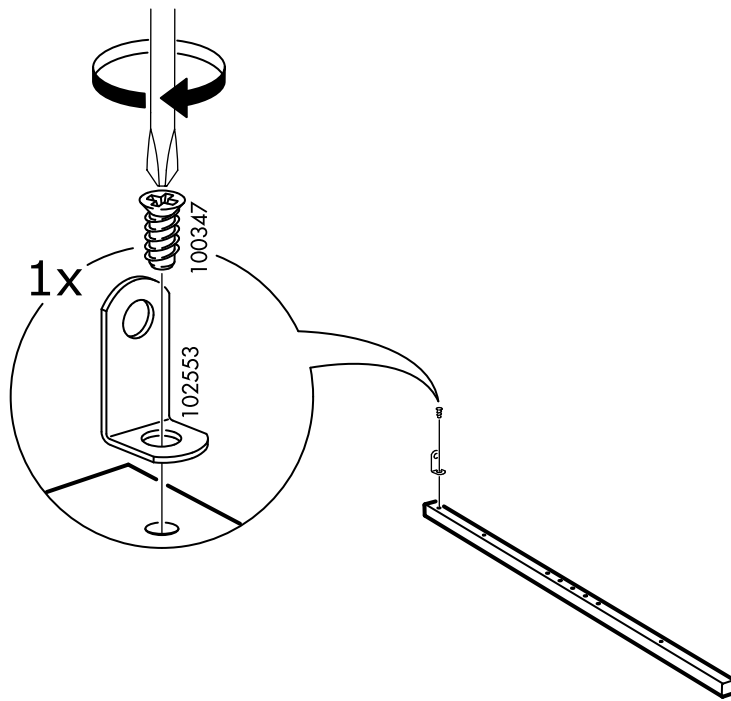
128621



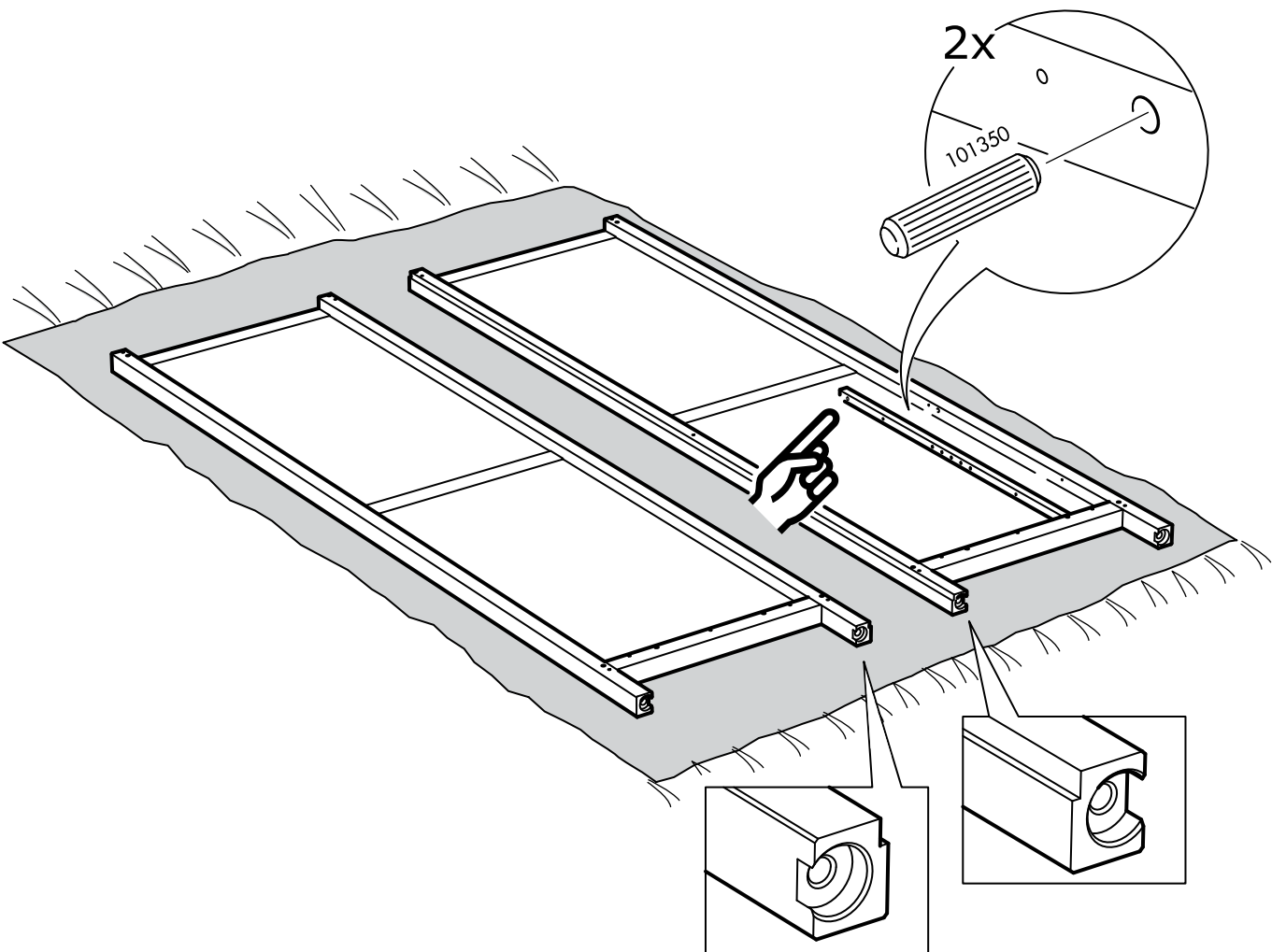
4x

128254

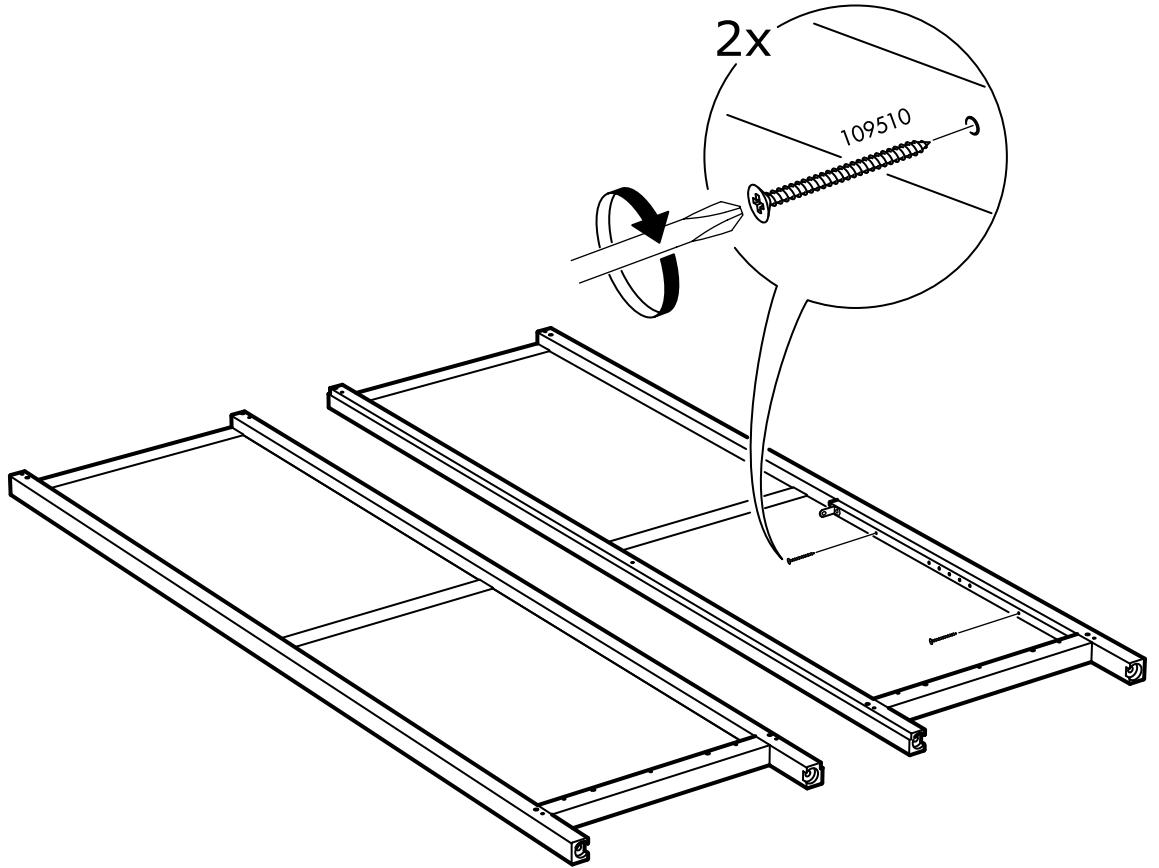
1



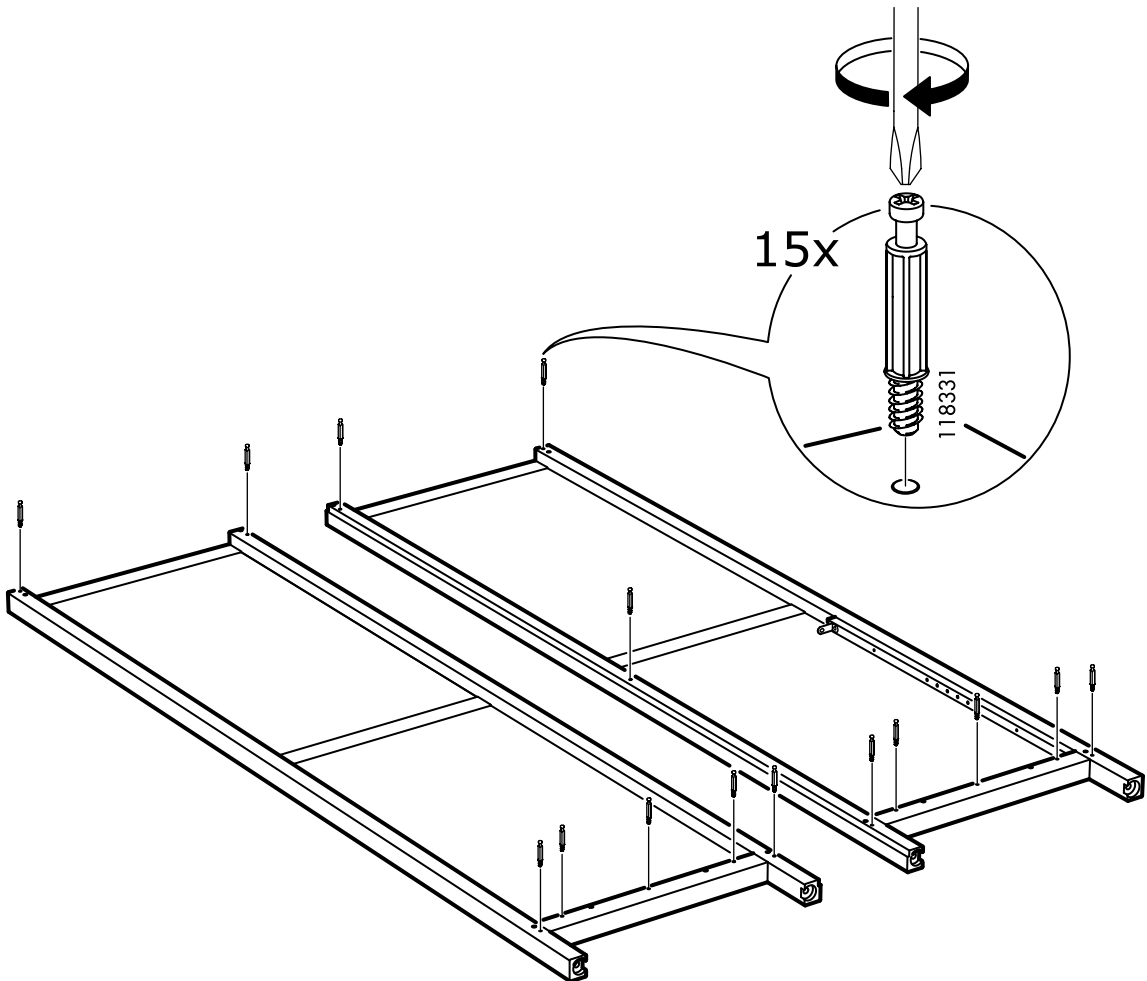
2



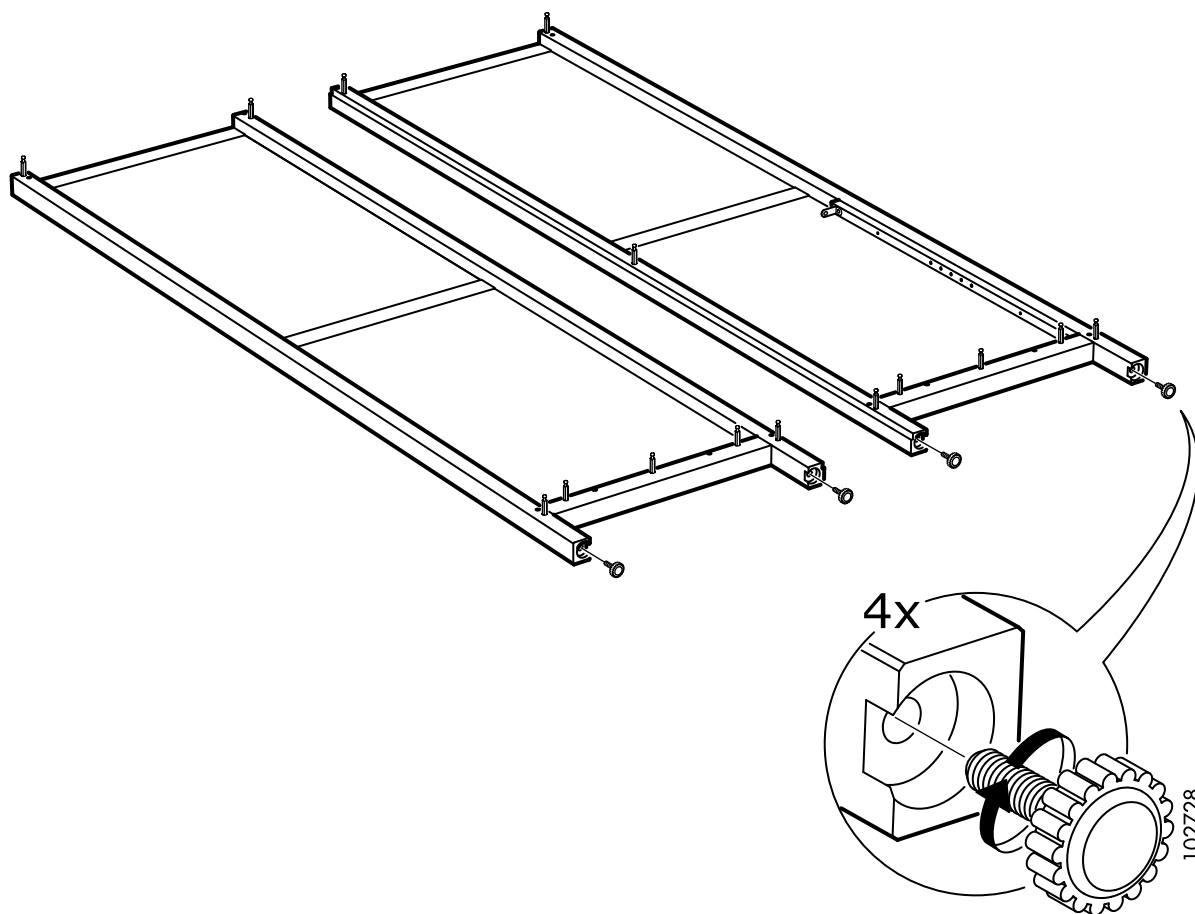
3



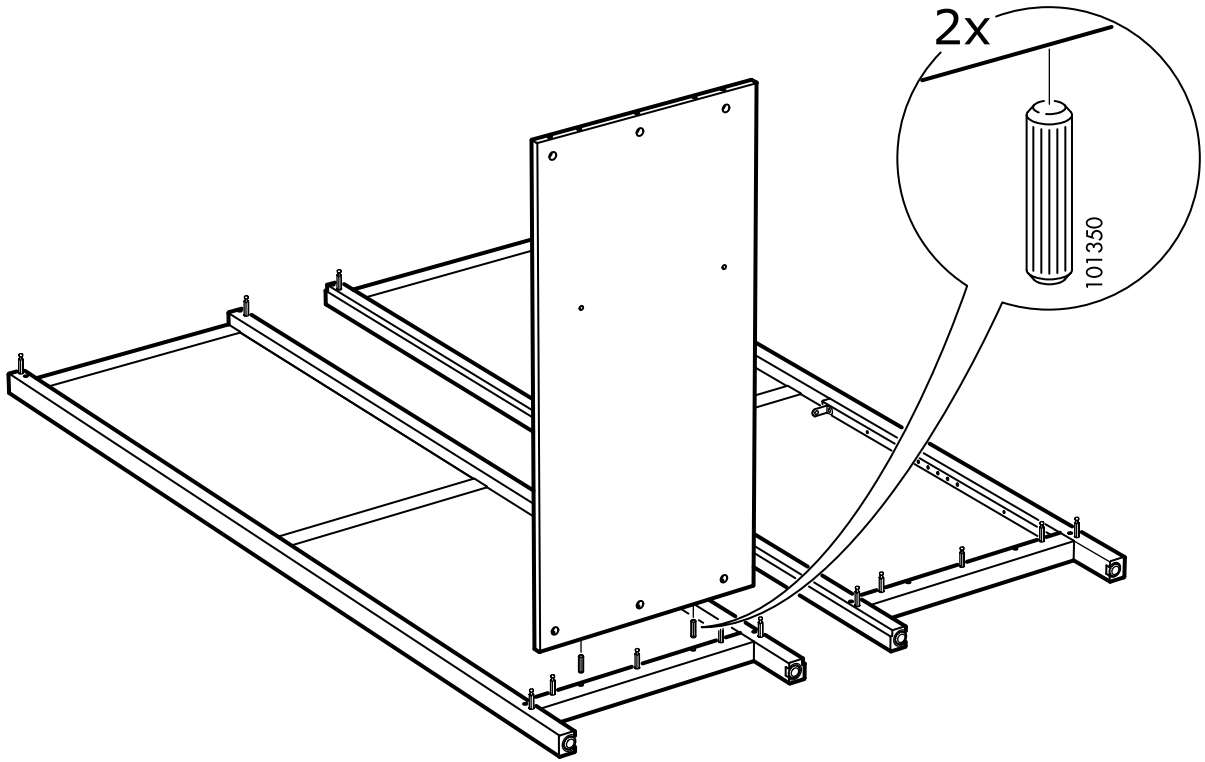
4



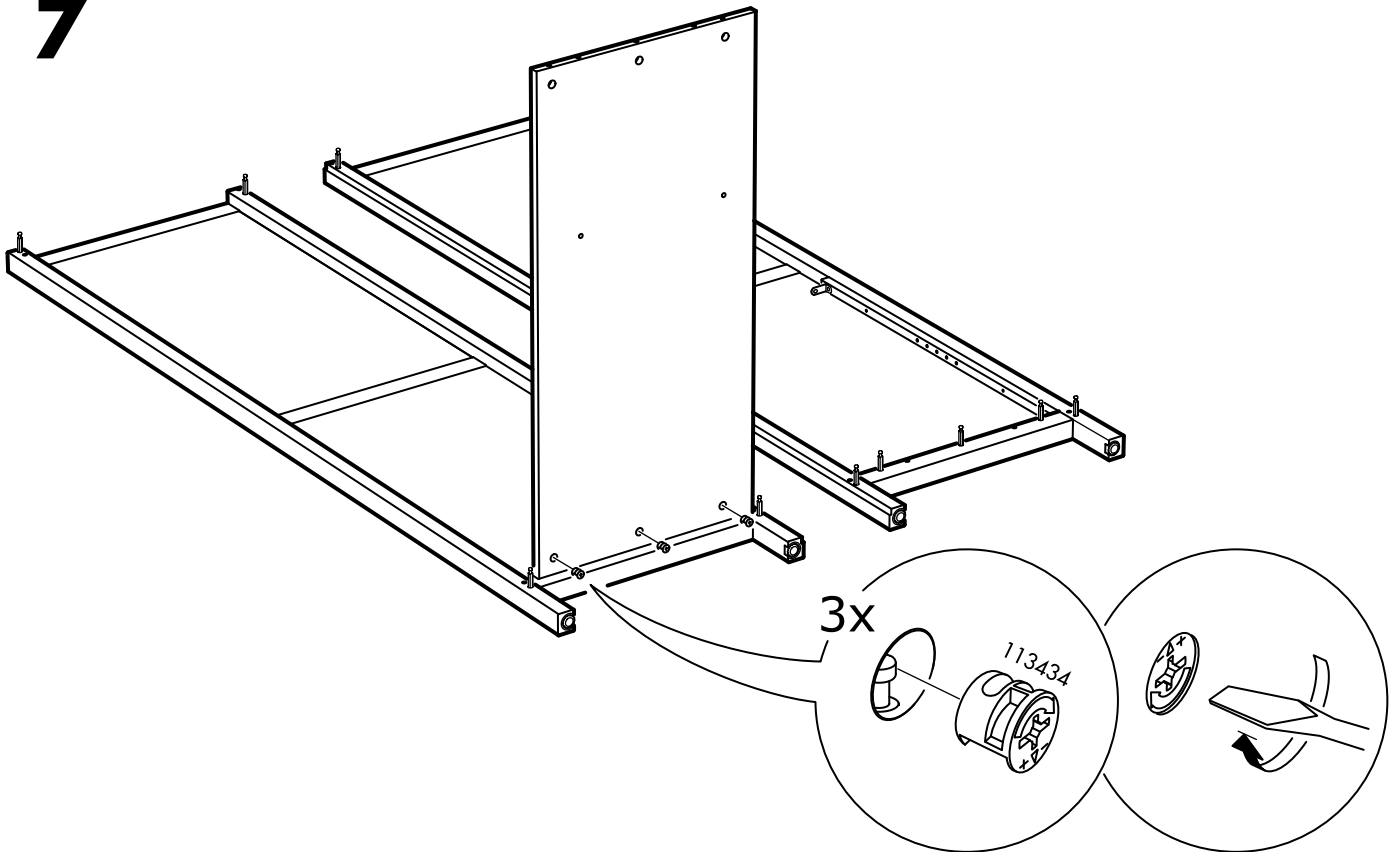
5



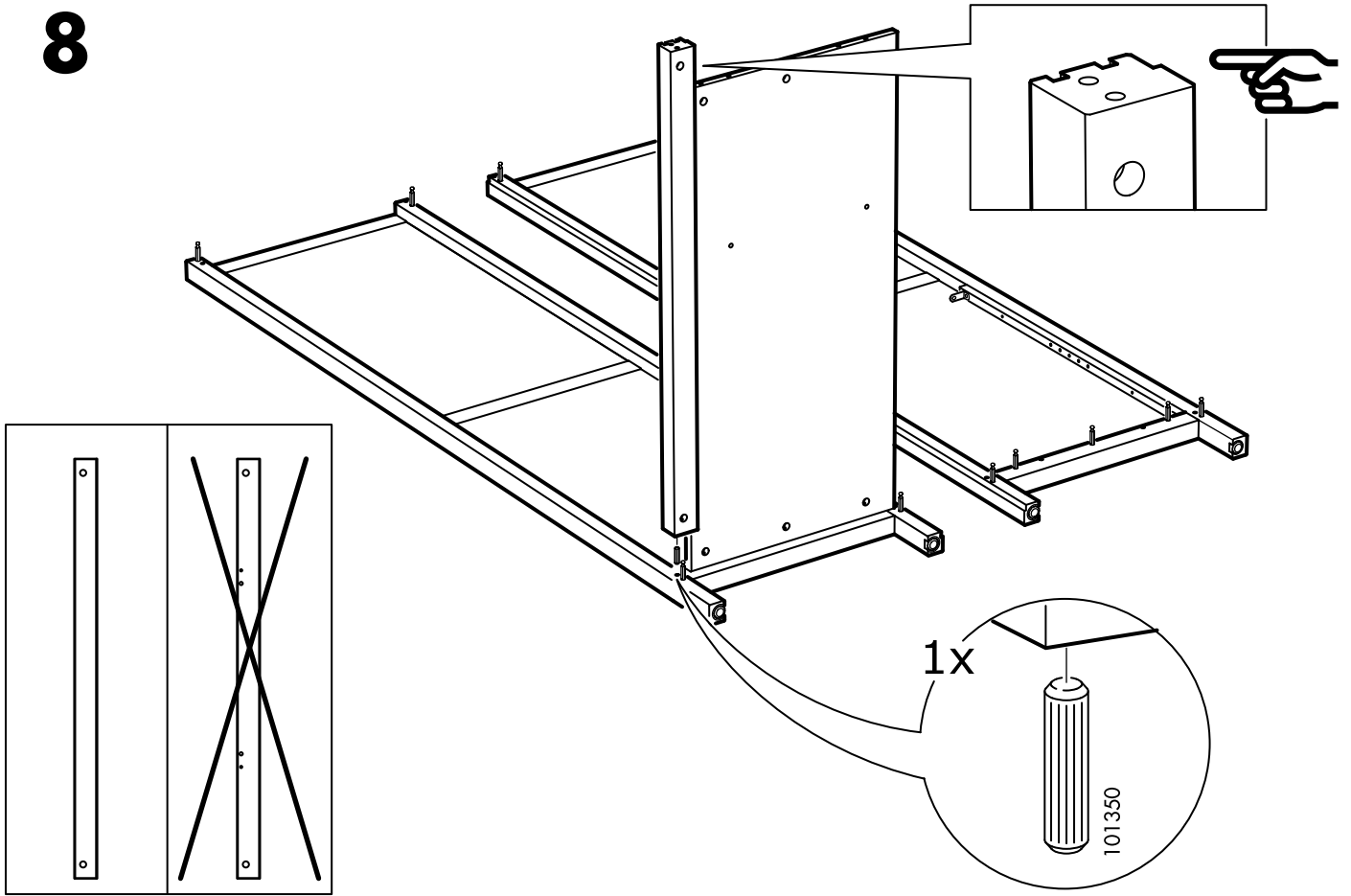
6



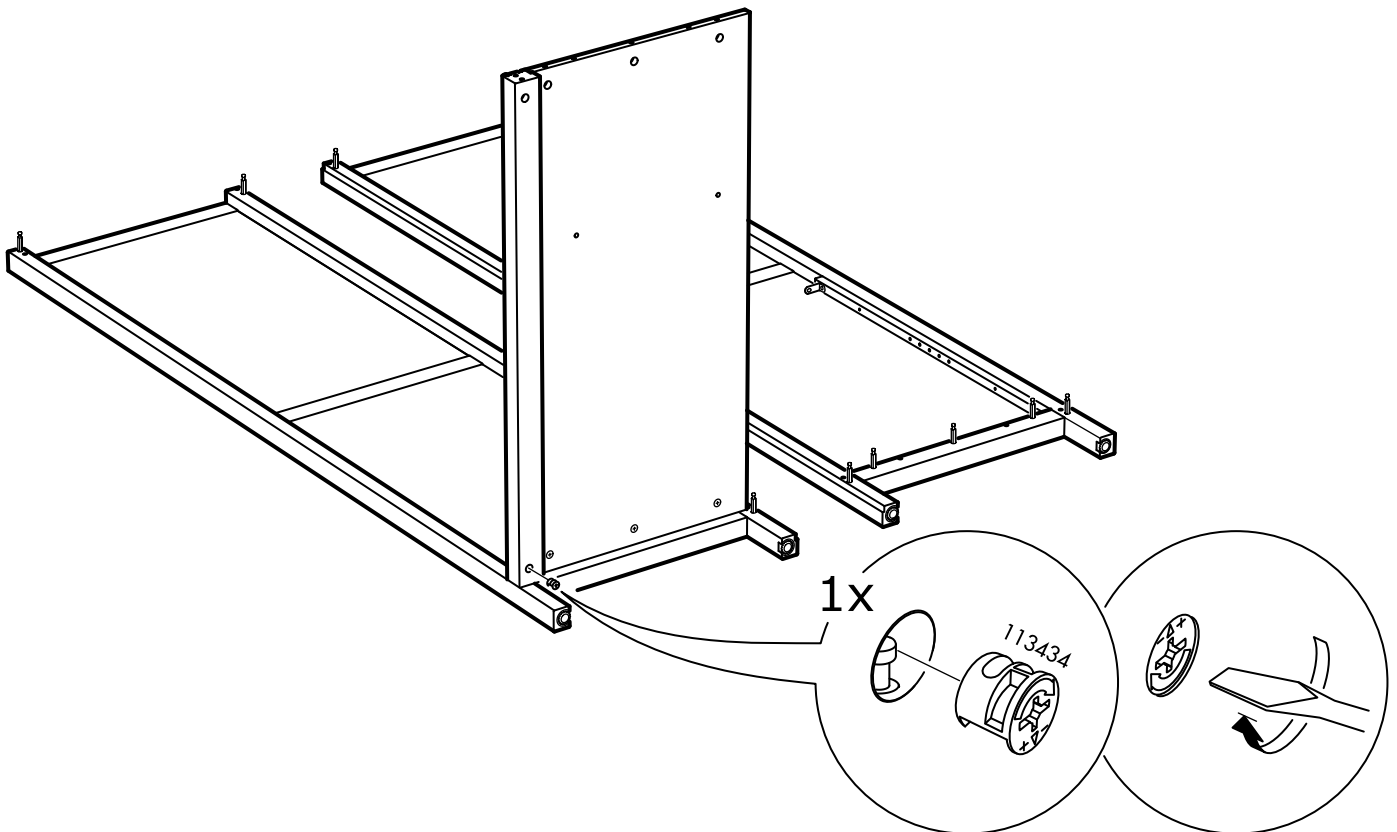
7



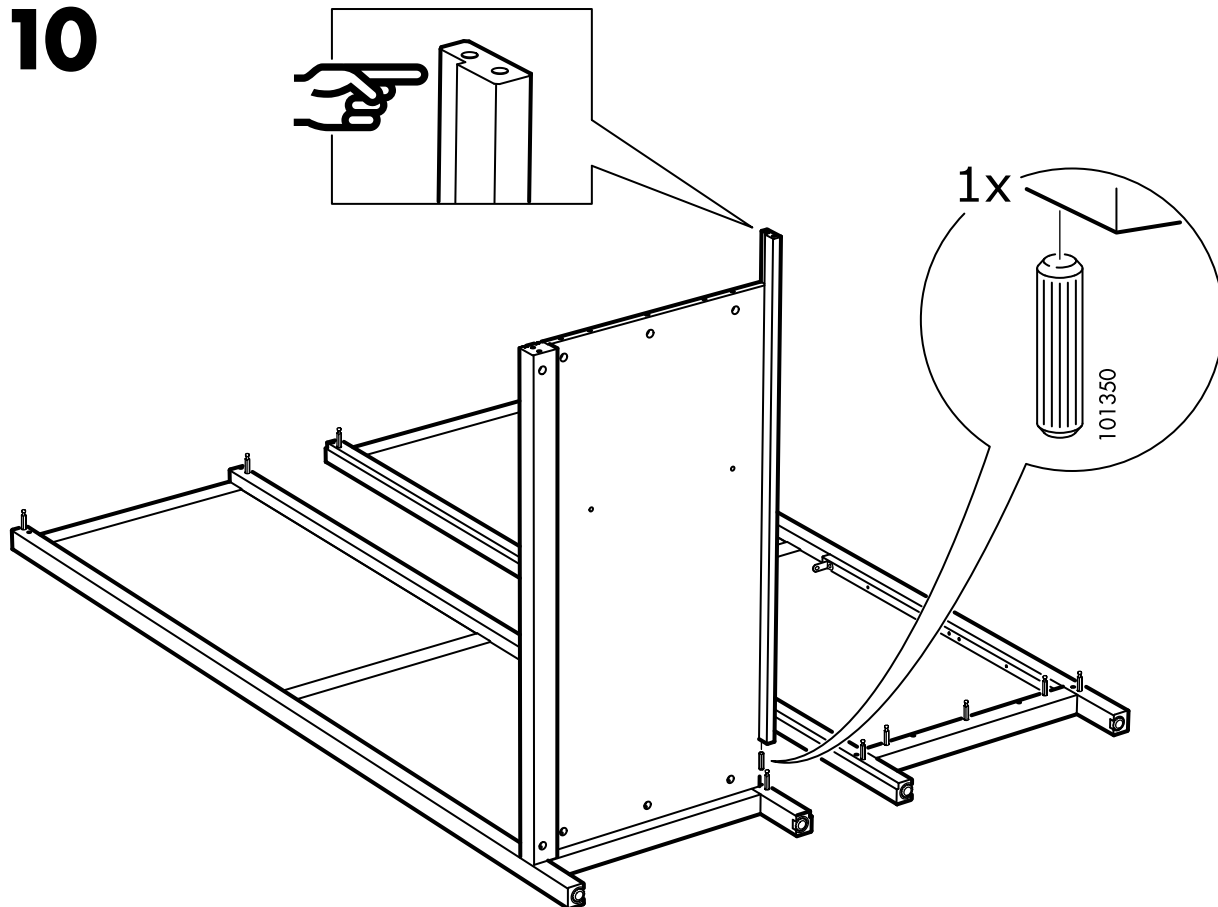
8



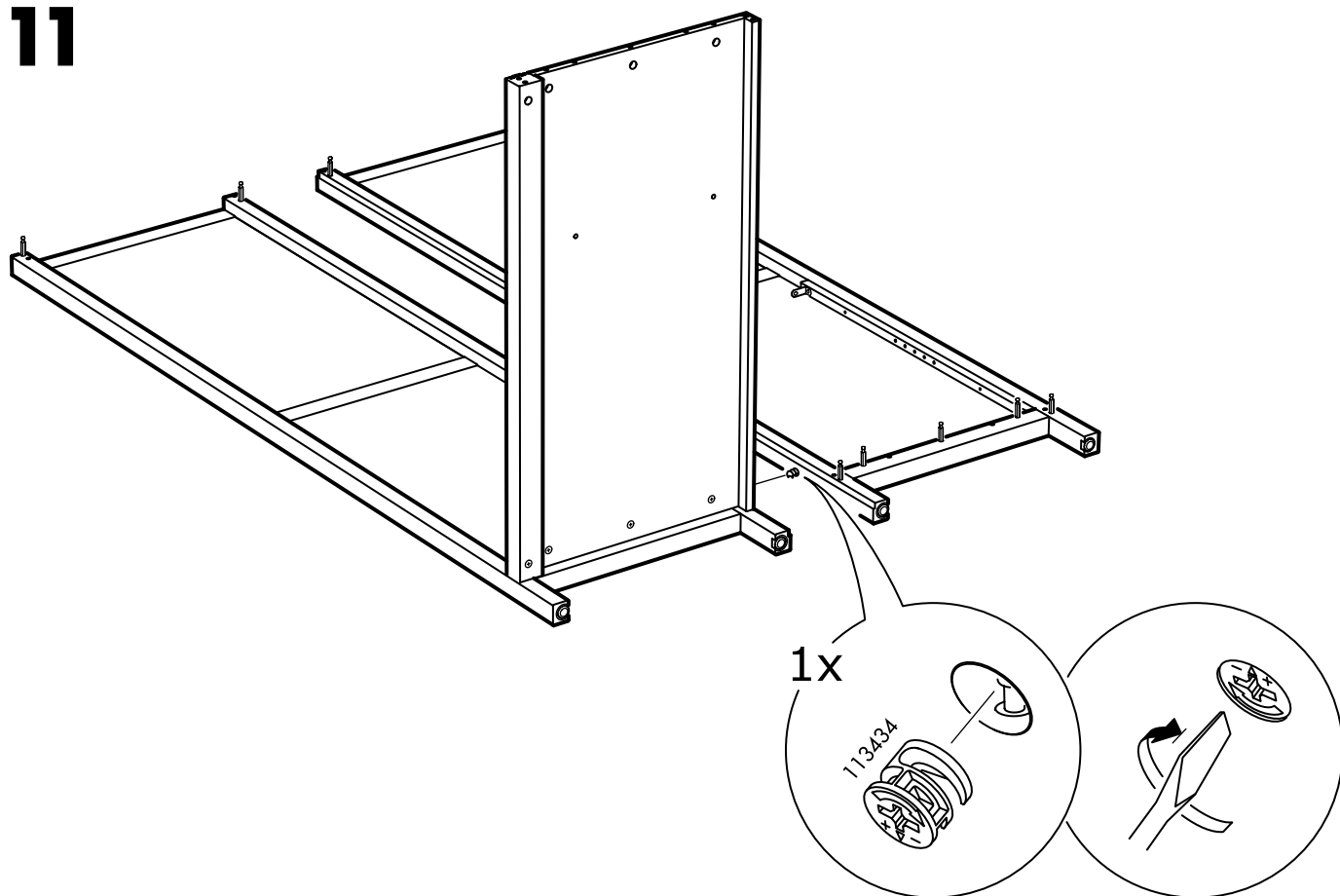
9



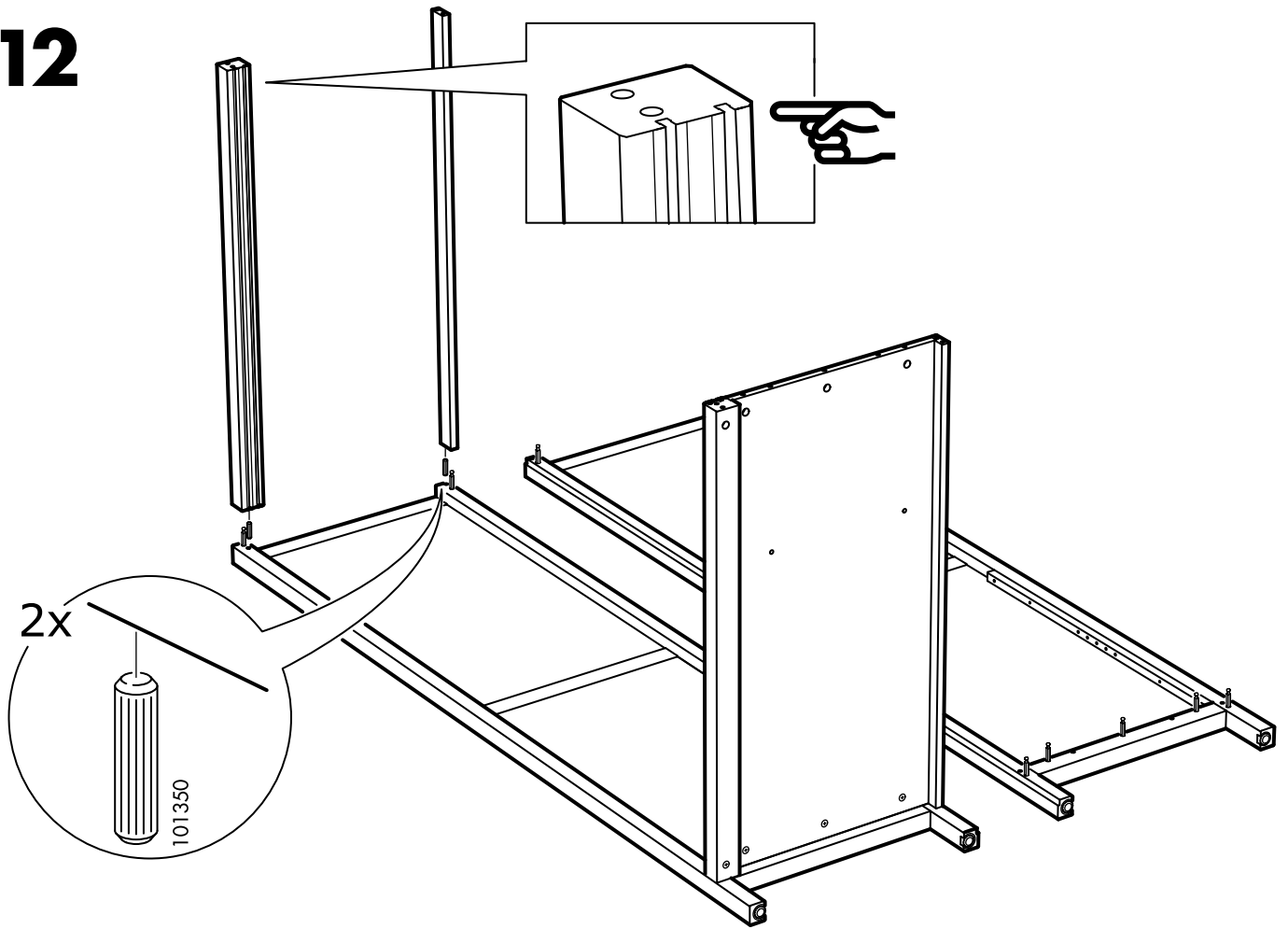
10



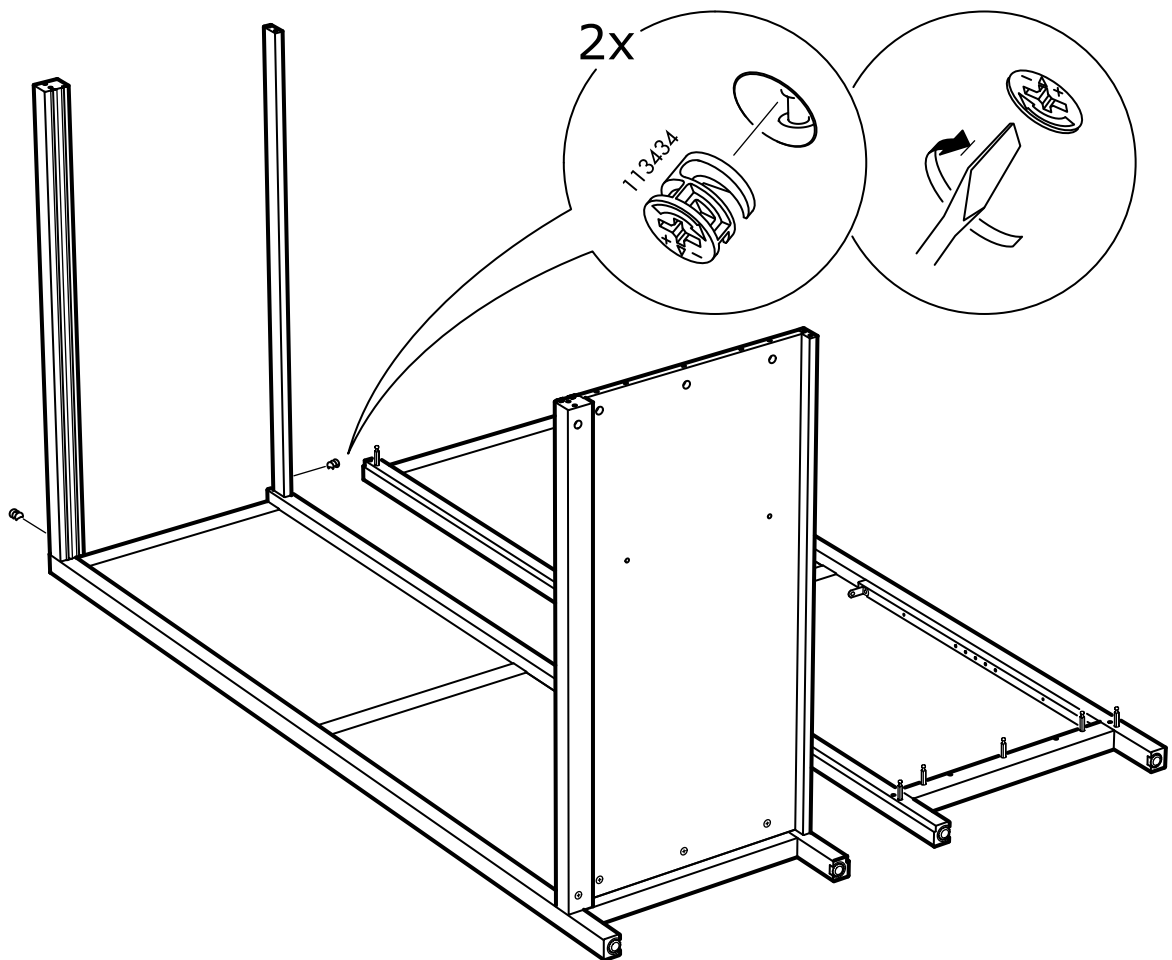
11



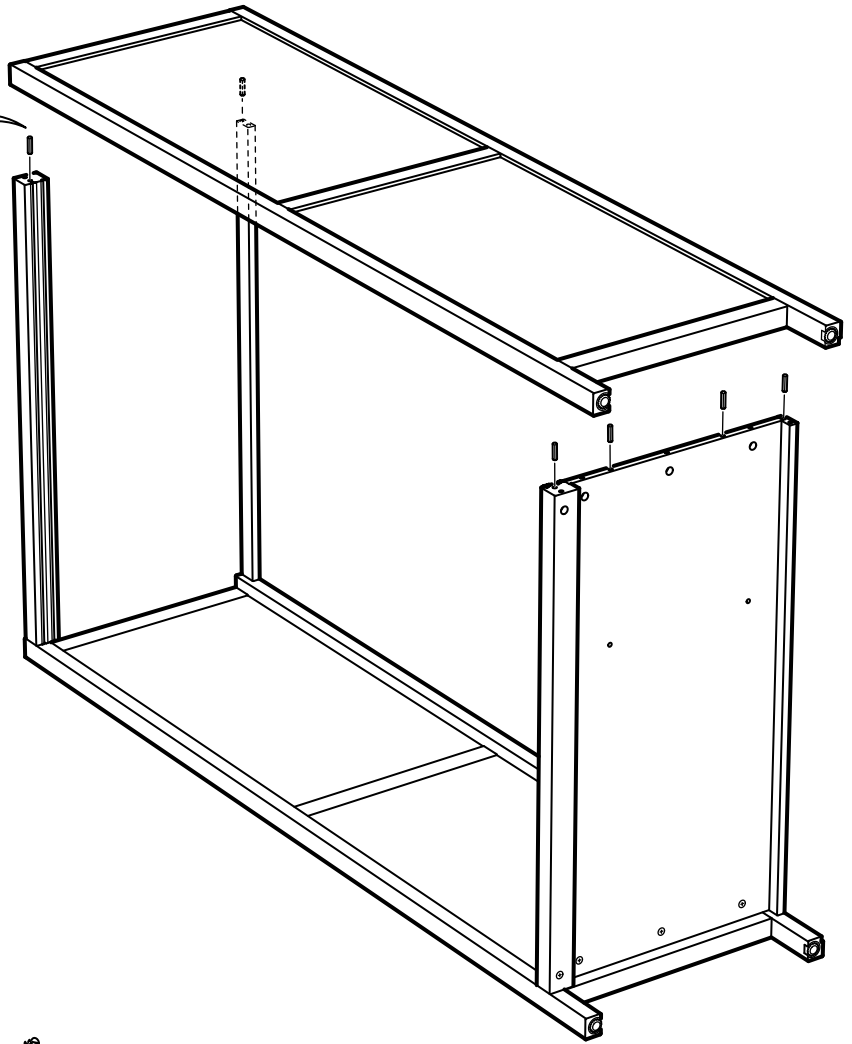
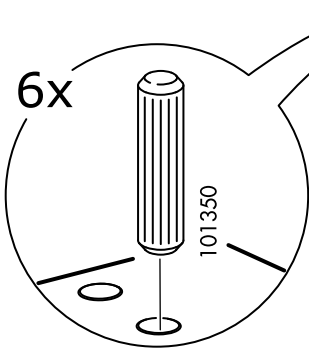
12



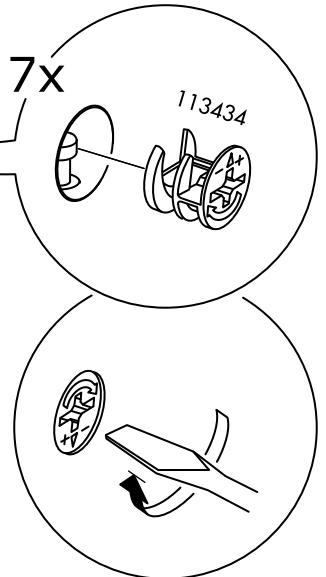
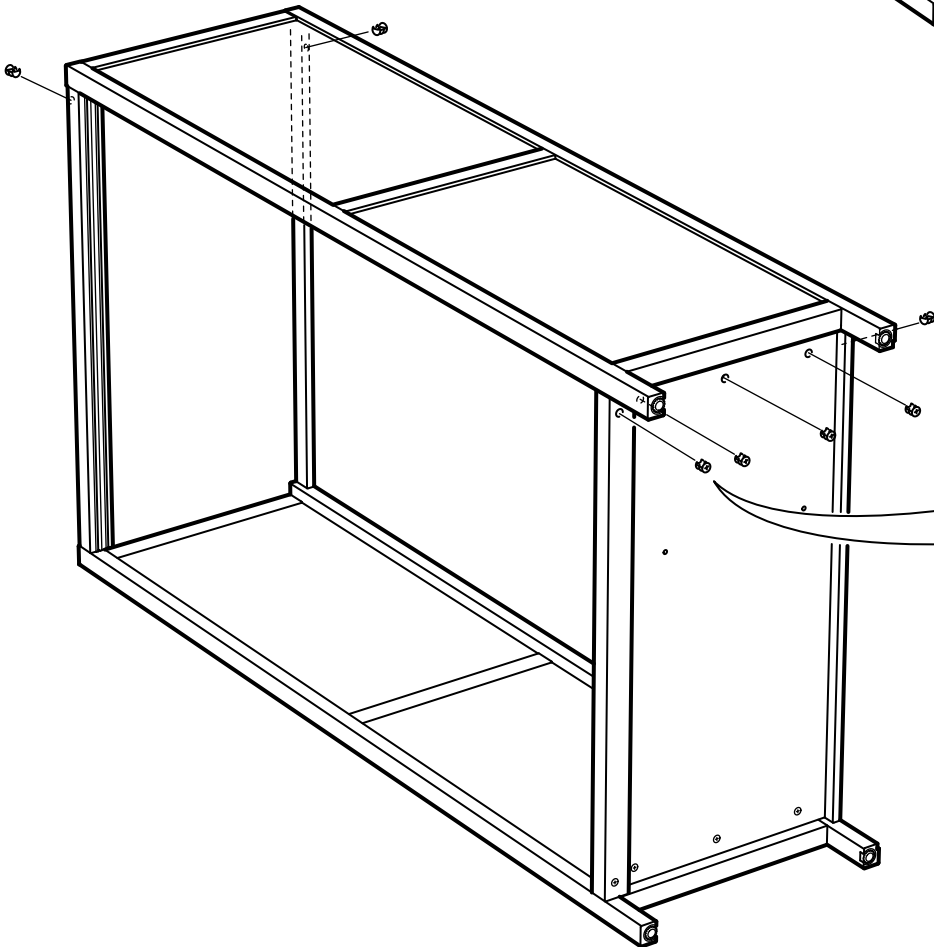
13



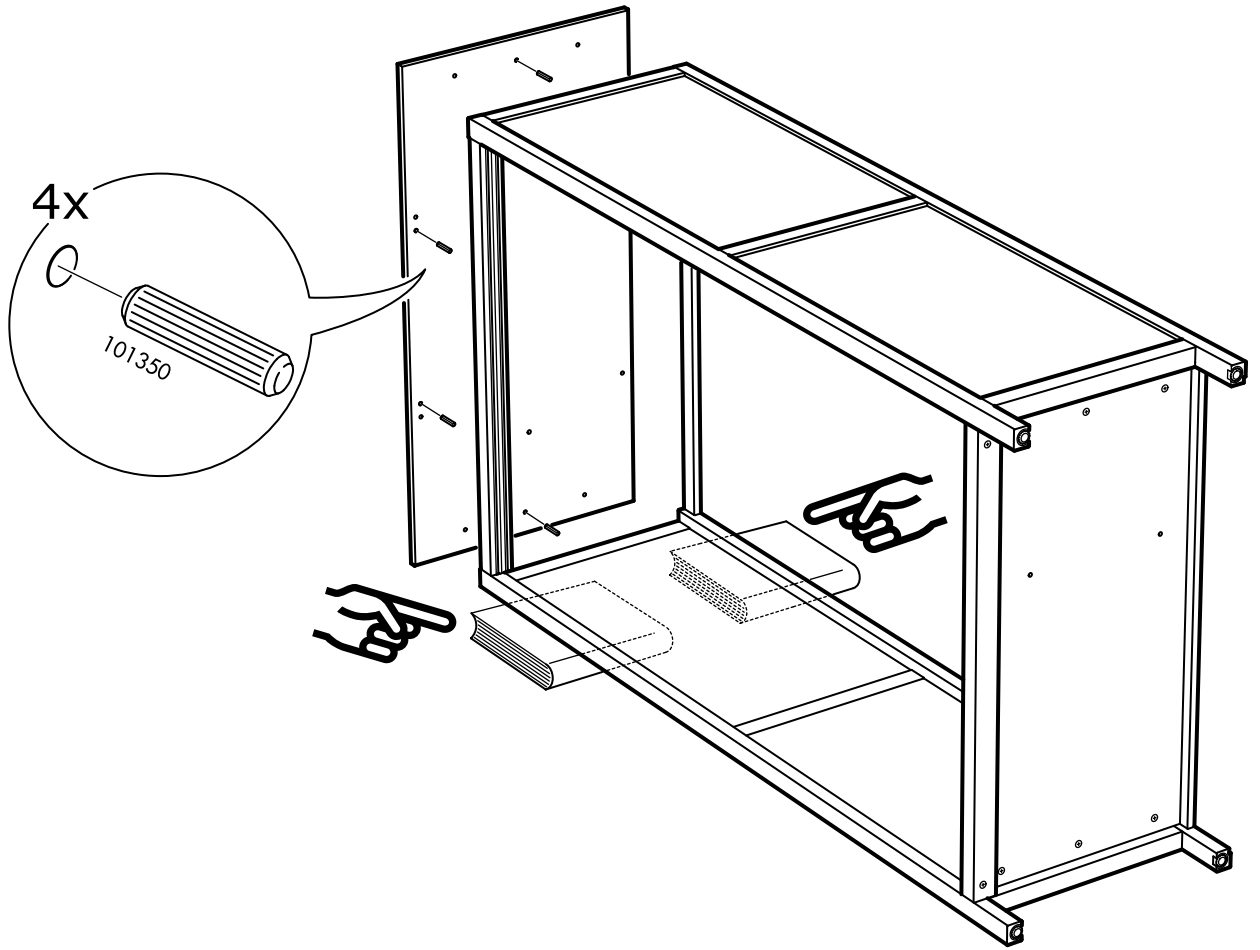
14



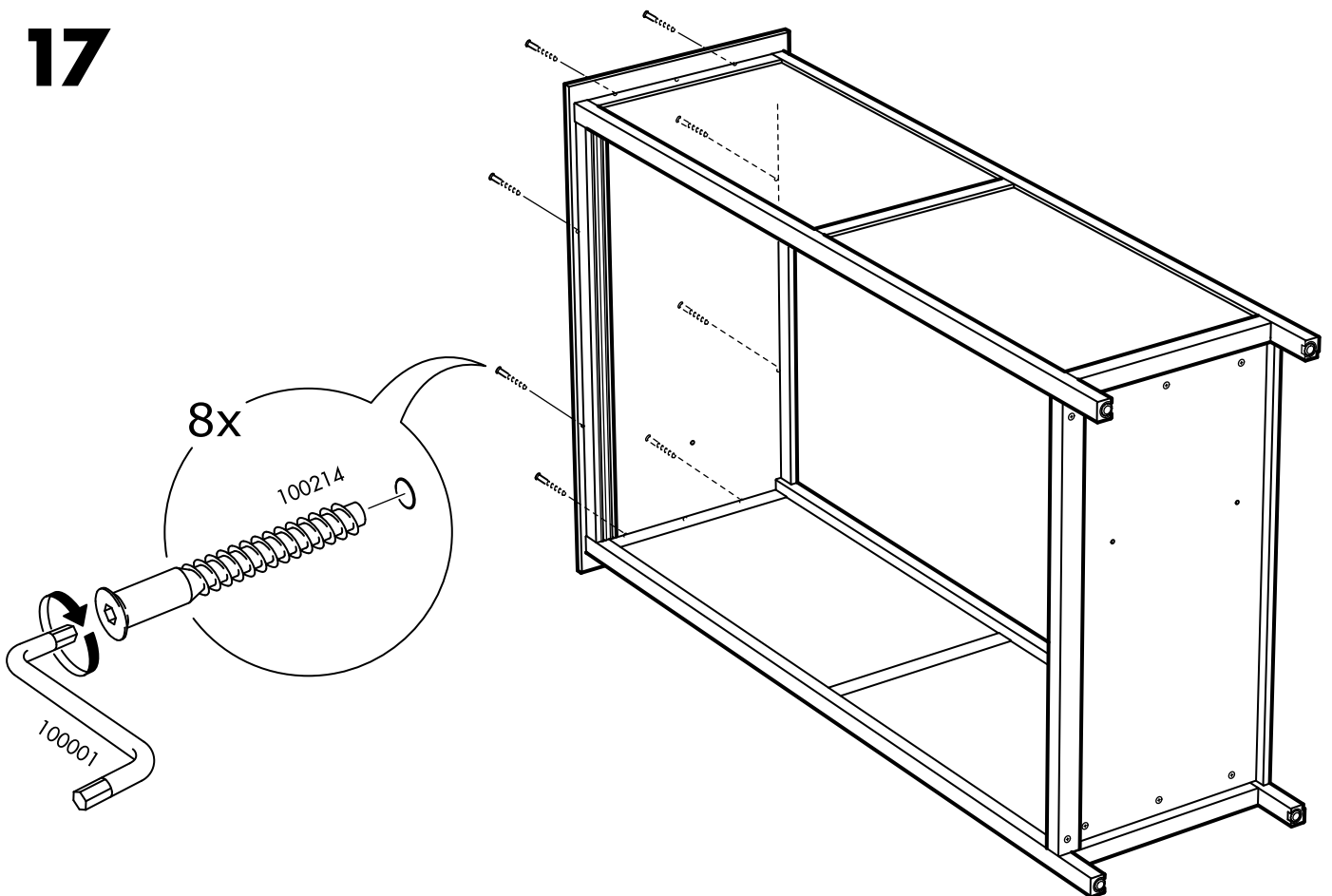
15



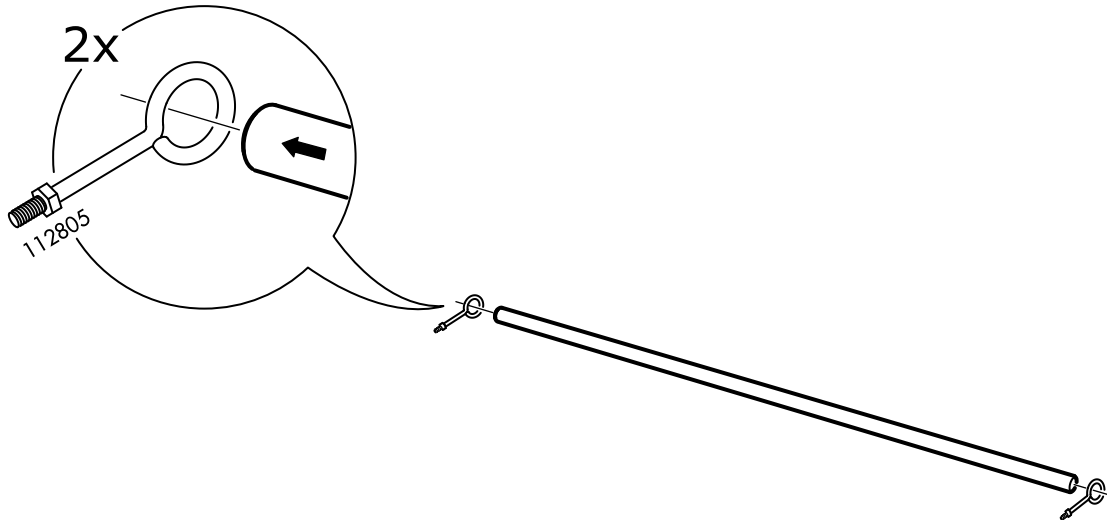
16



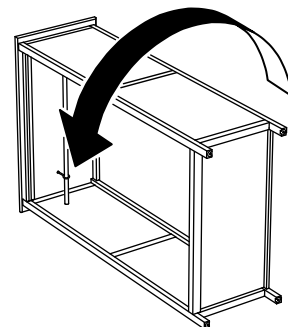
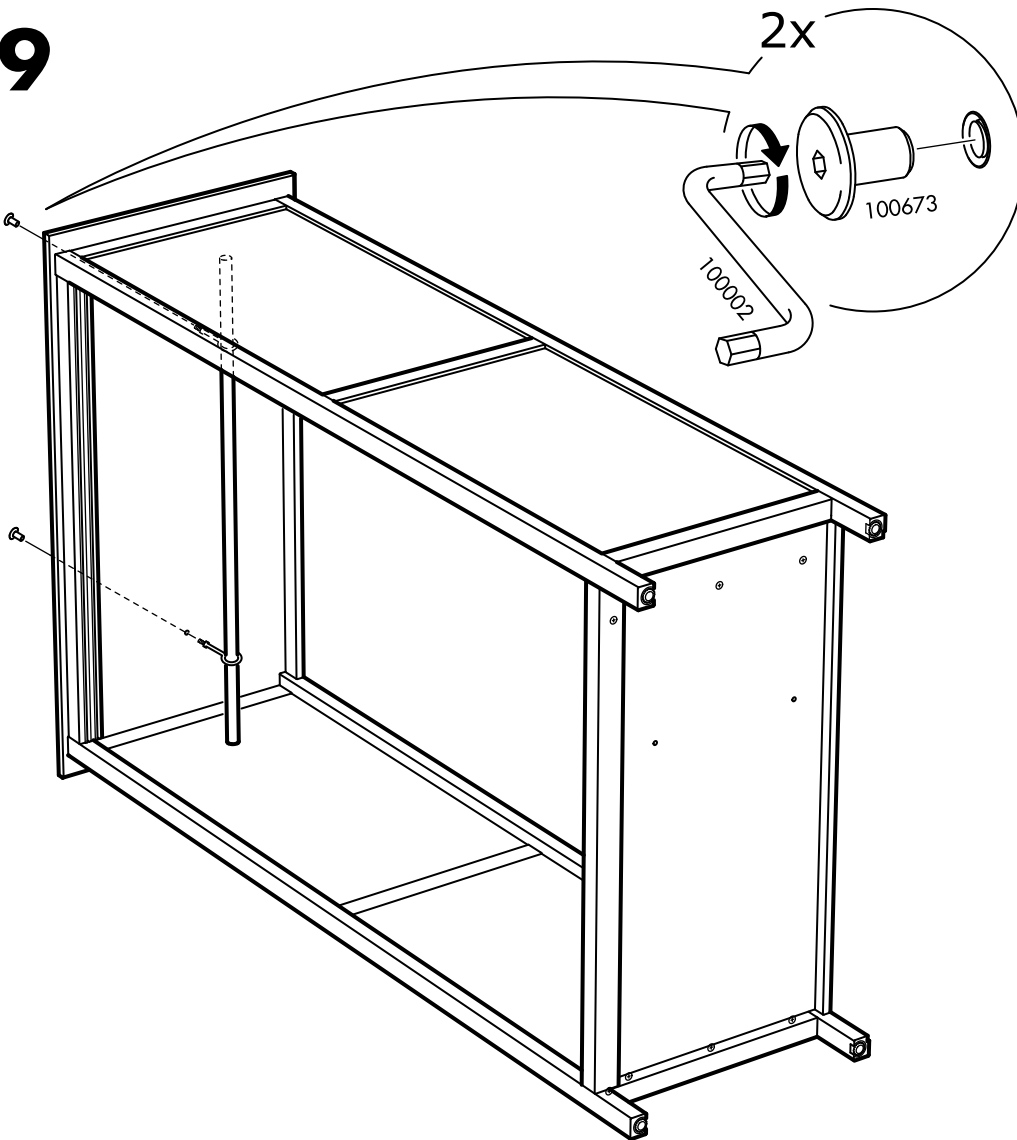
17



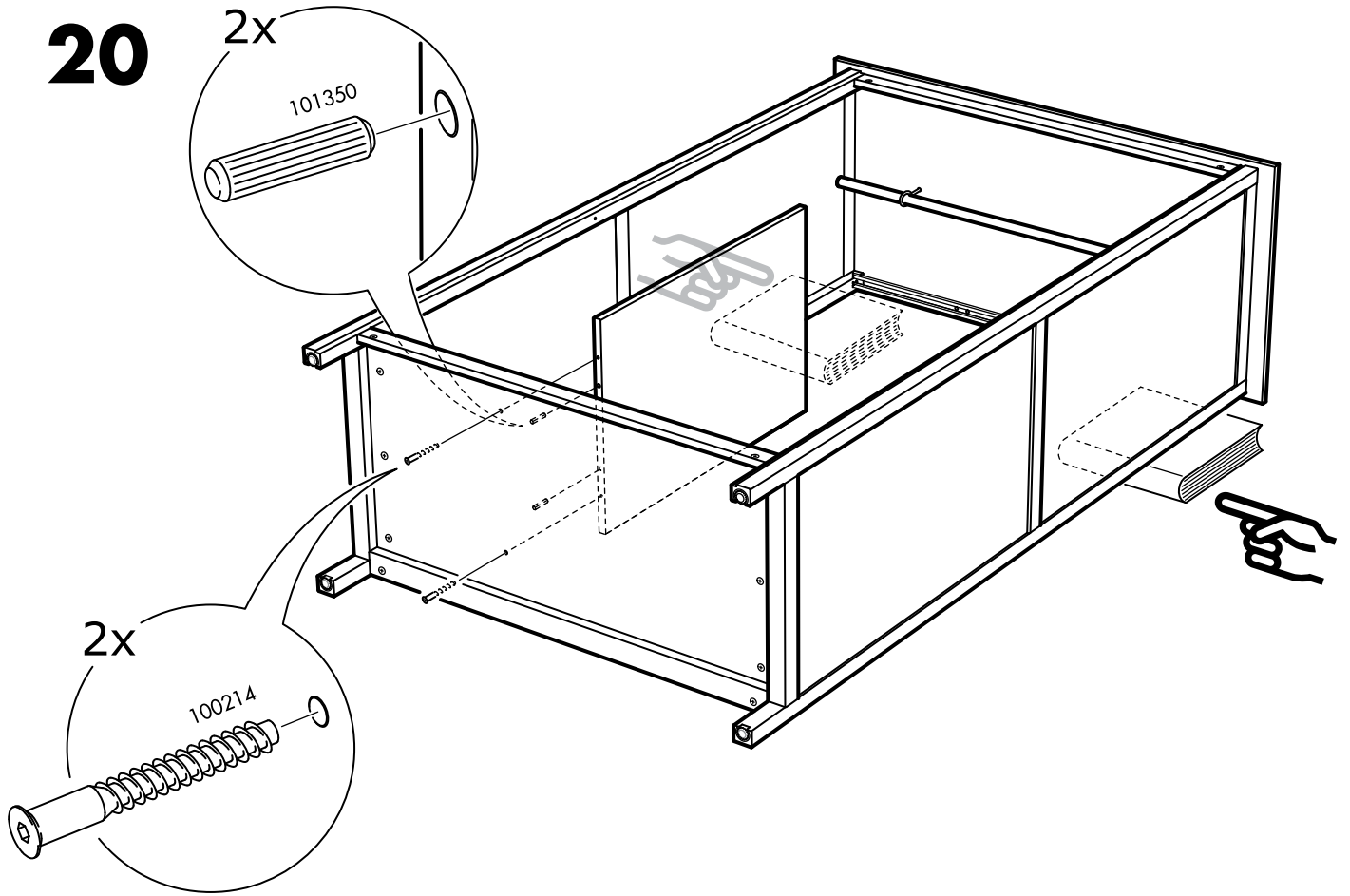
18



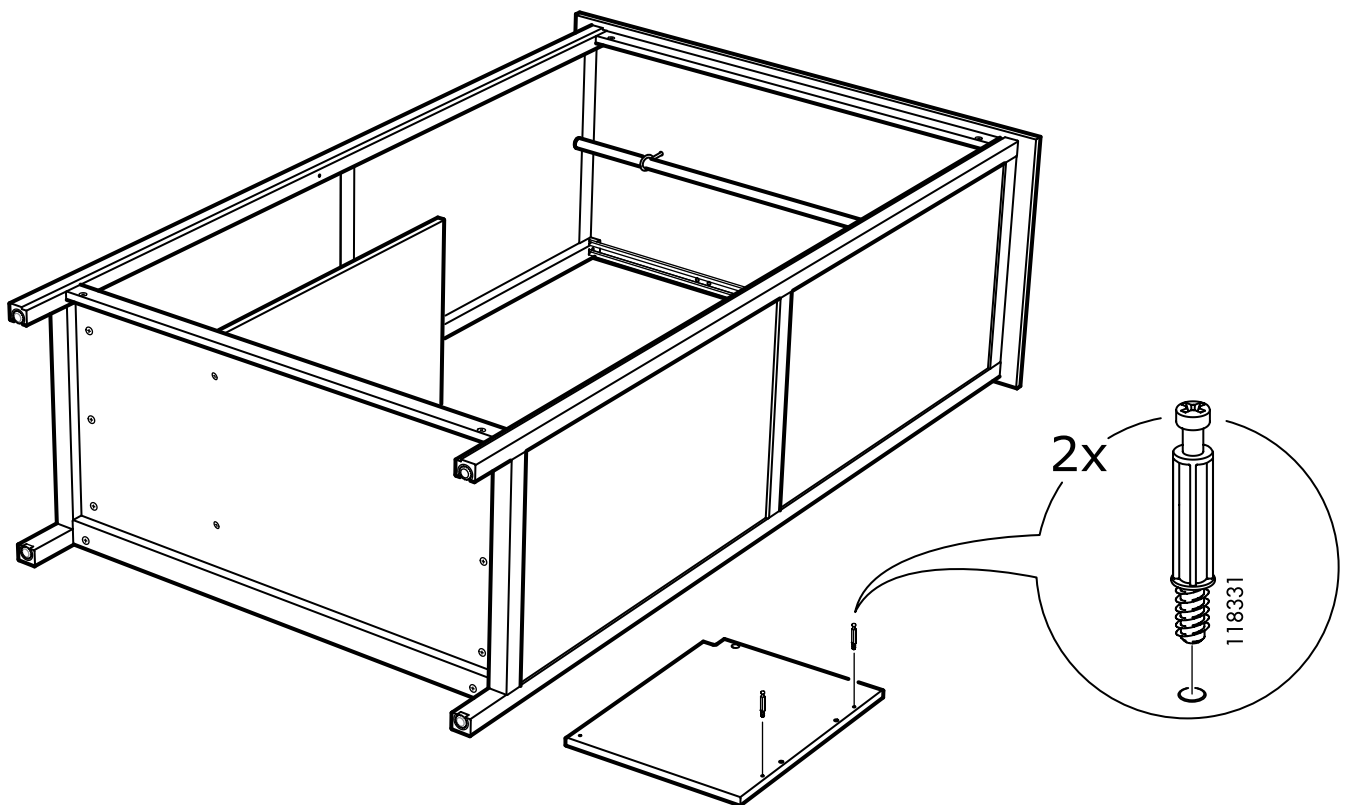
19



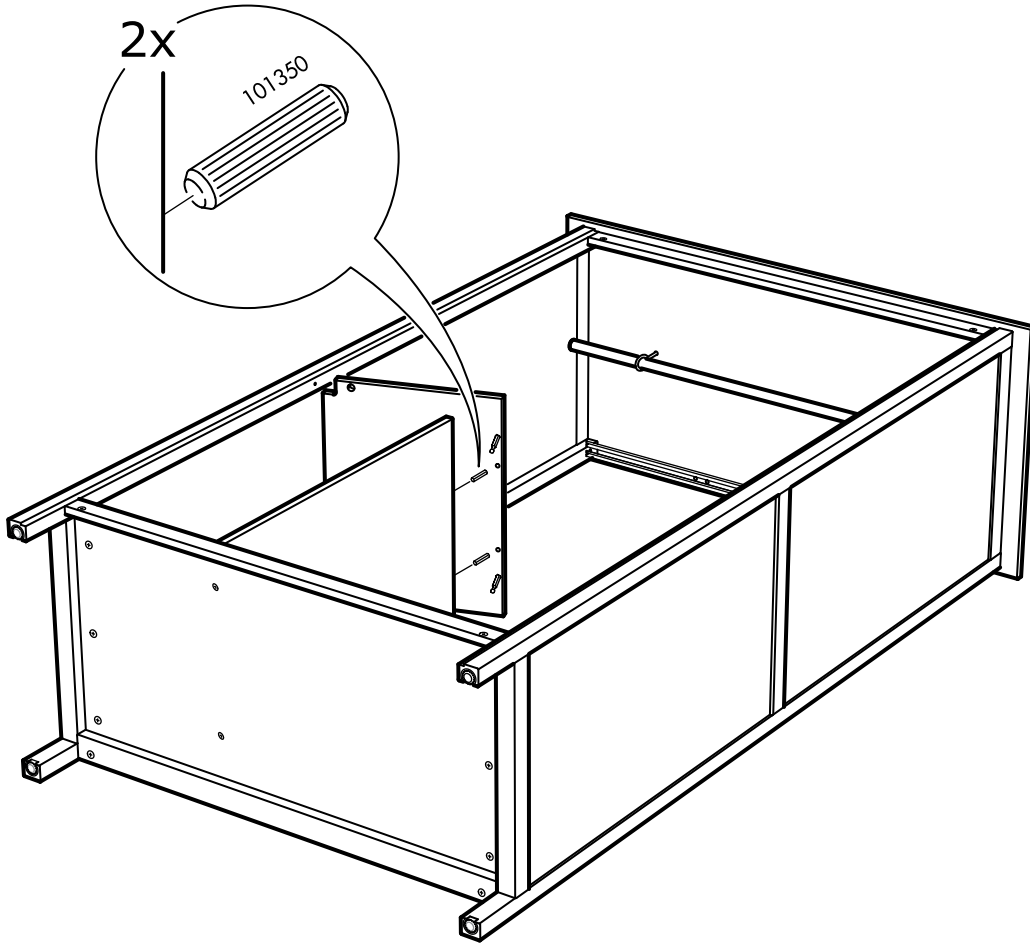
20



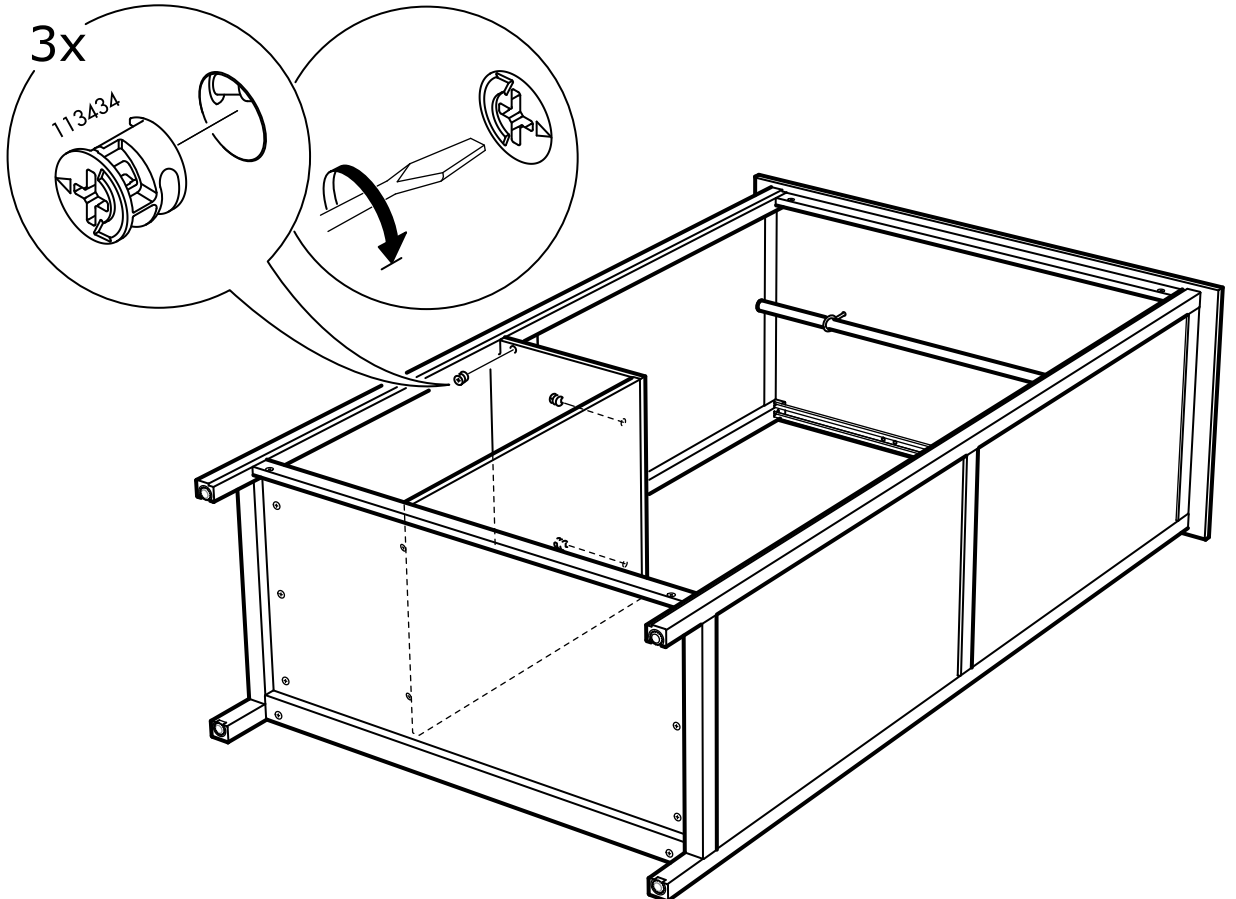
21



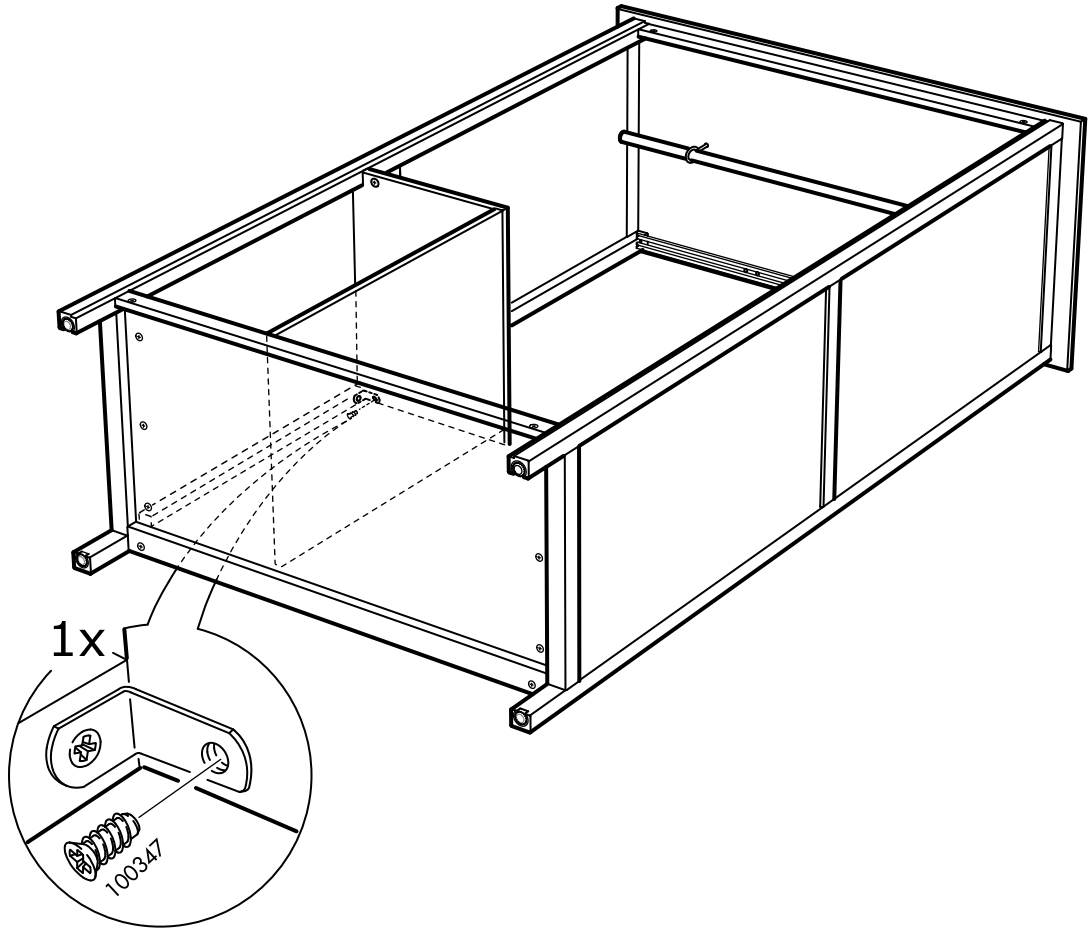
22



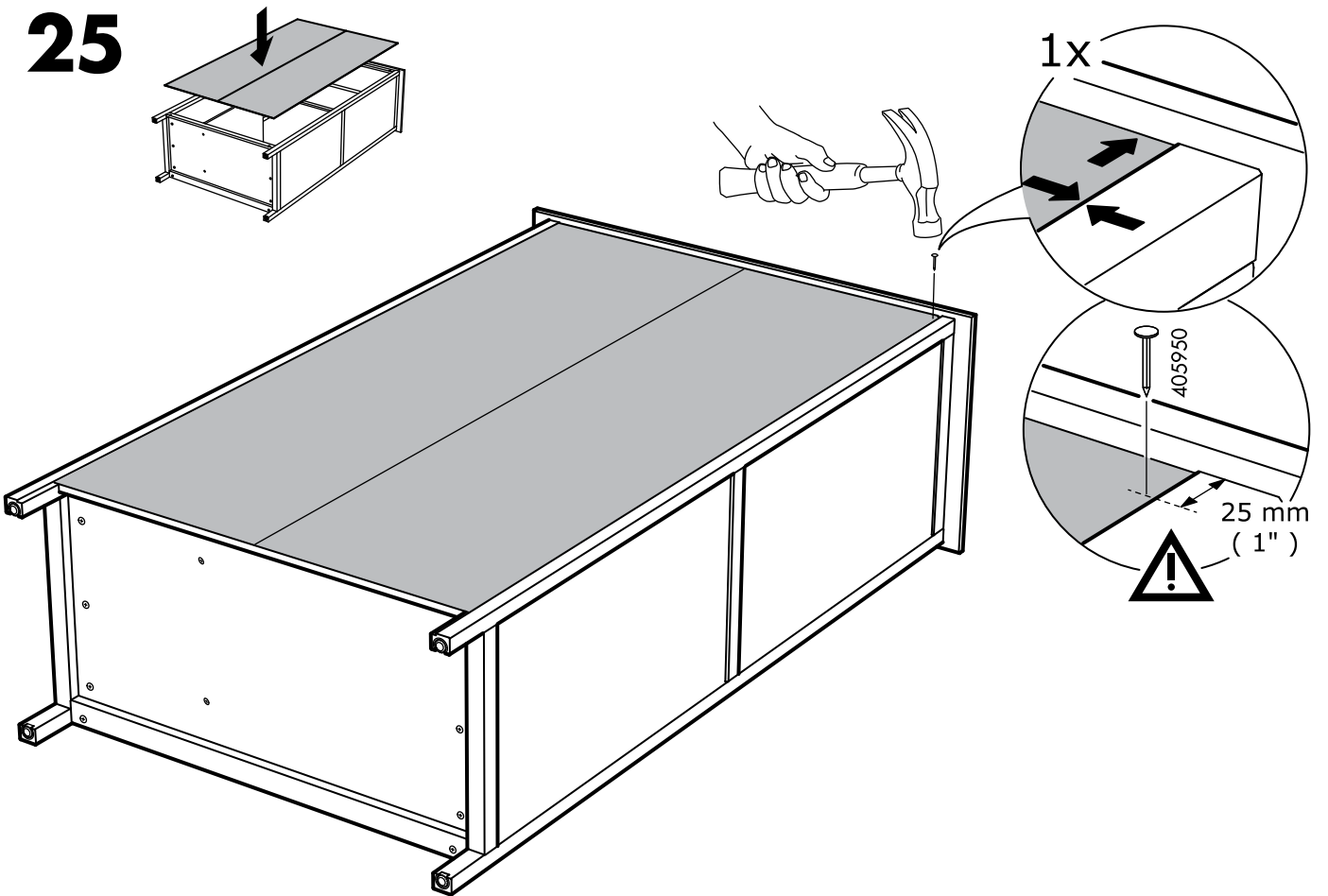
23



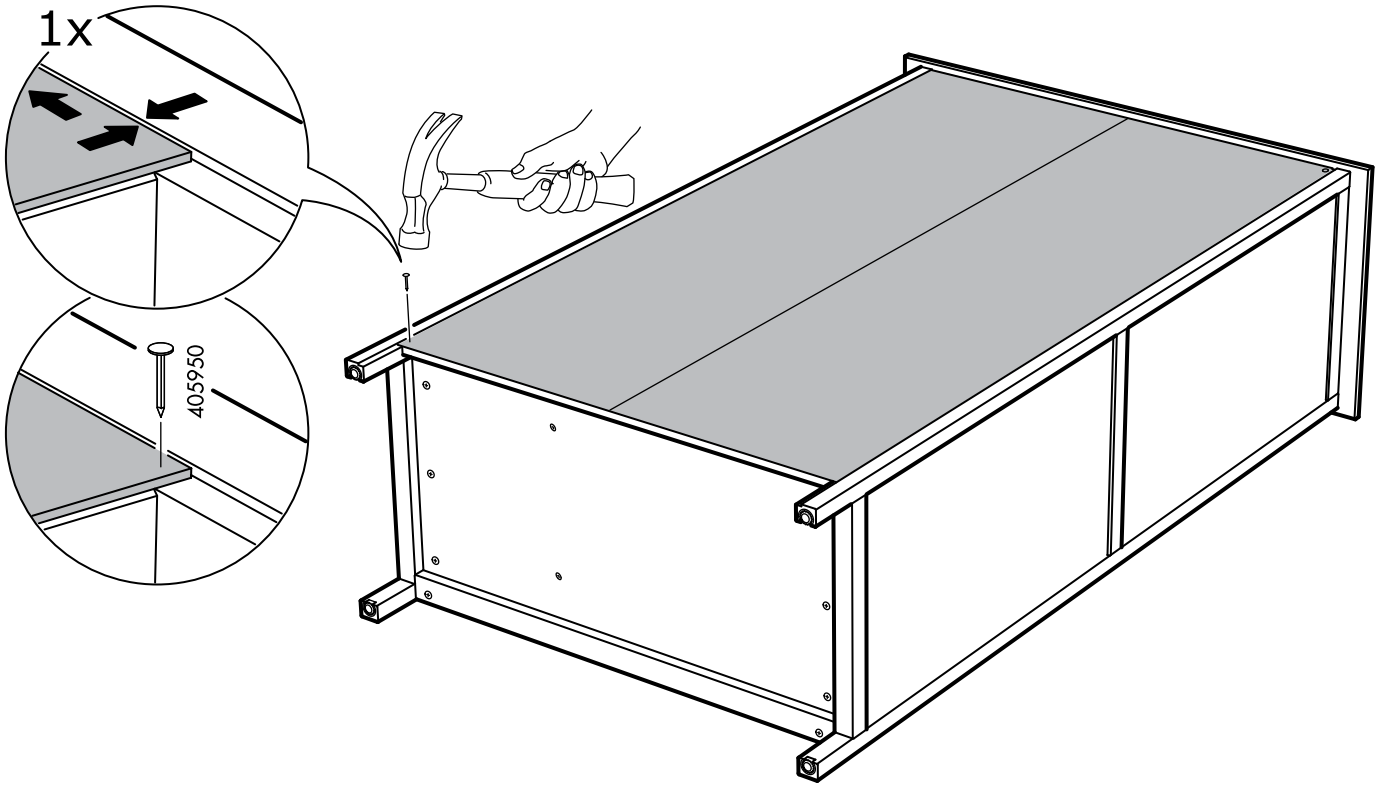
24



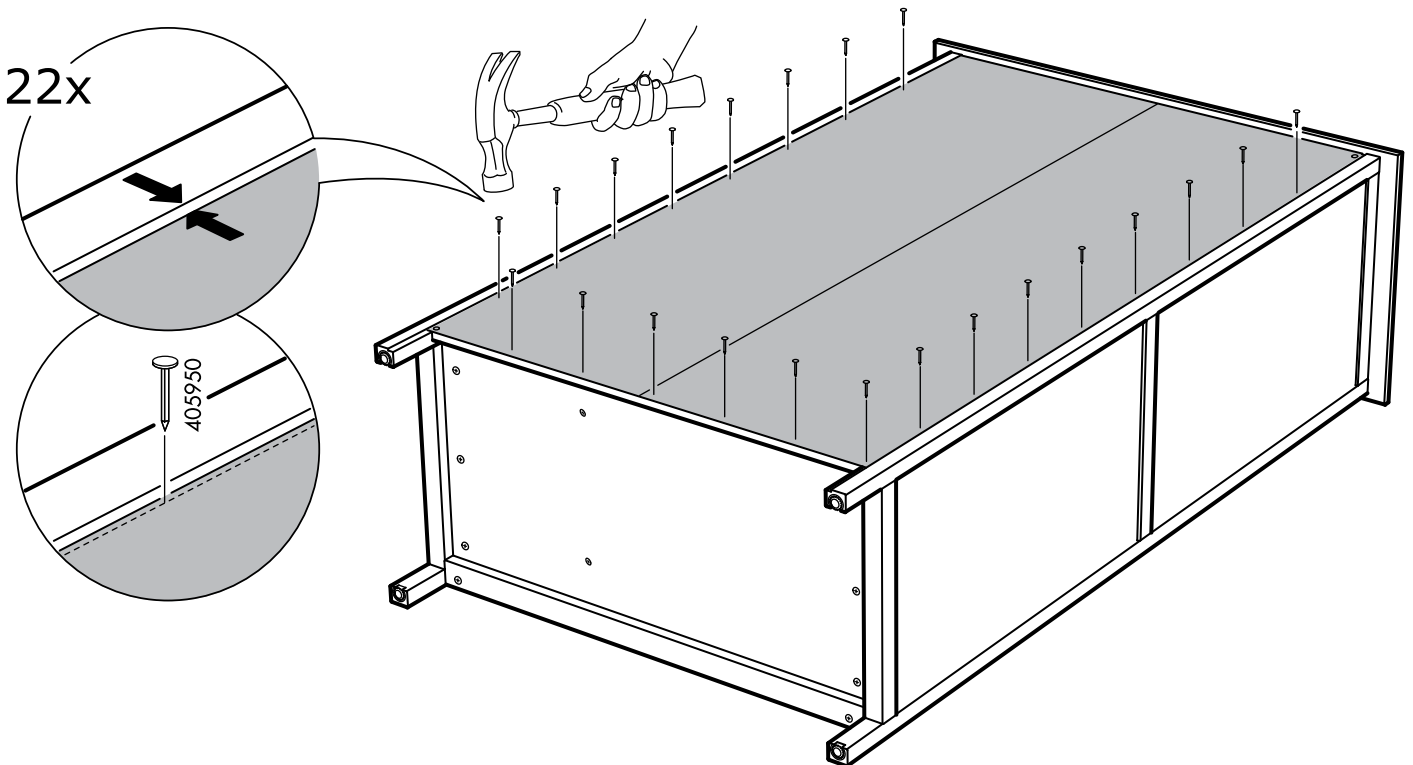
25

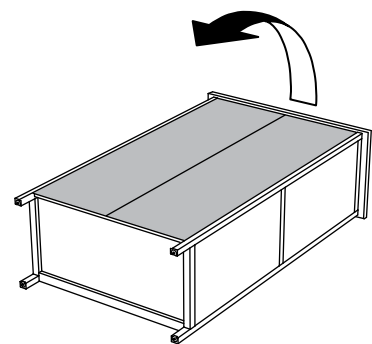
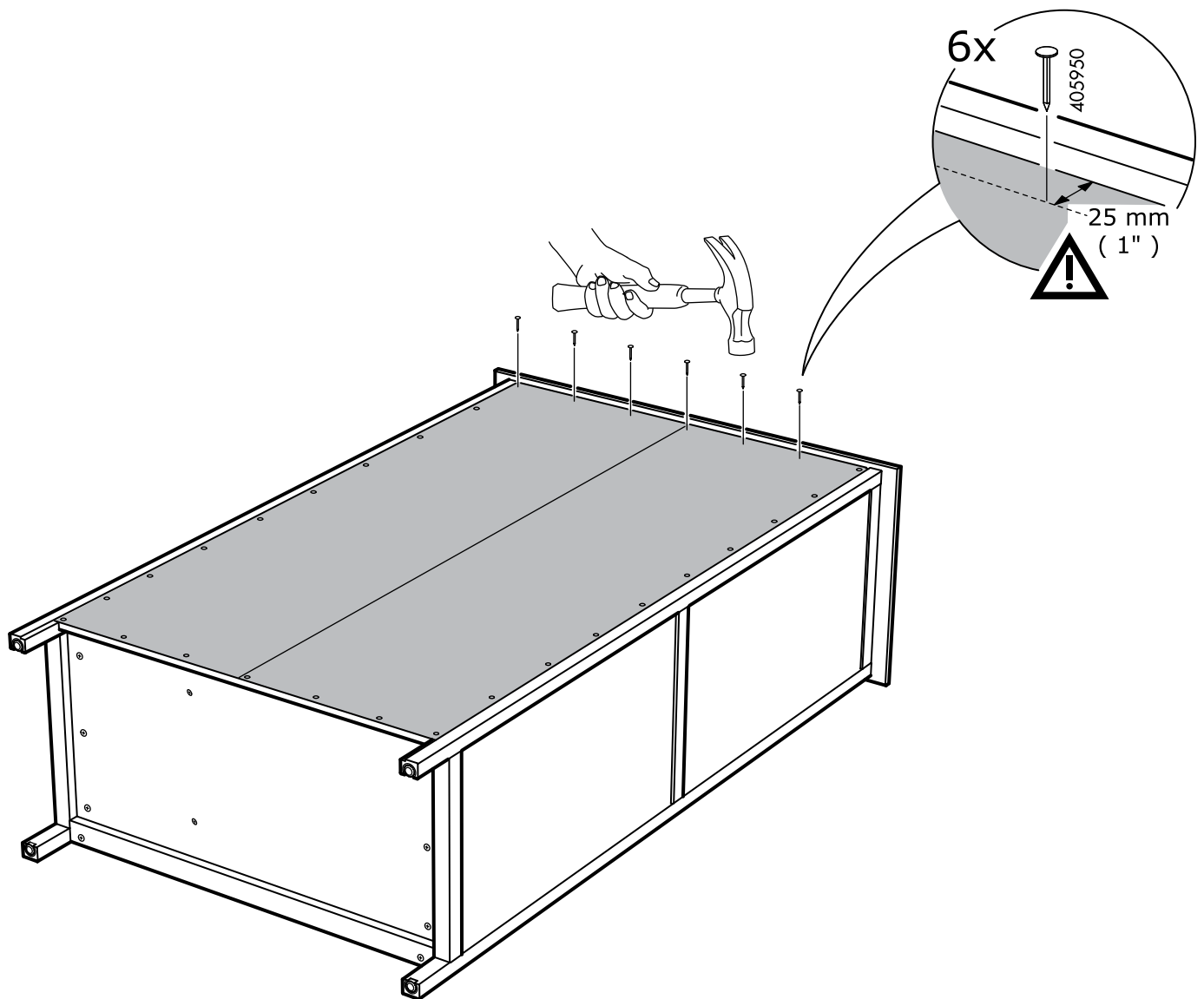


26

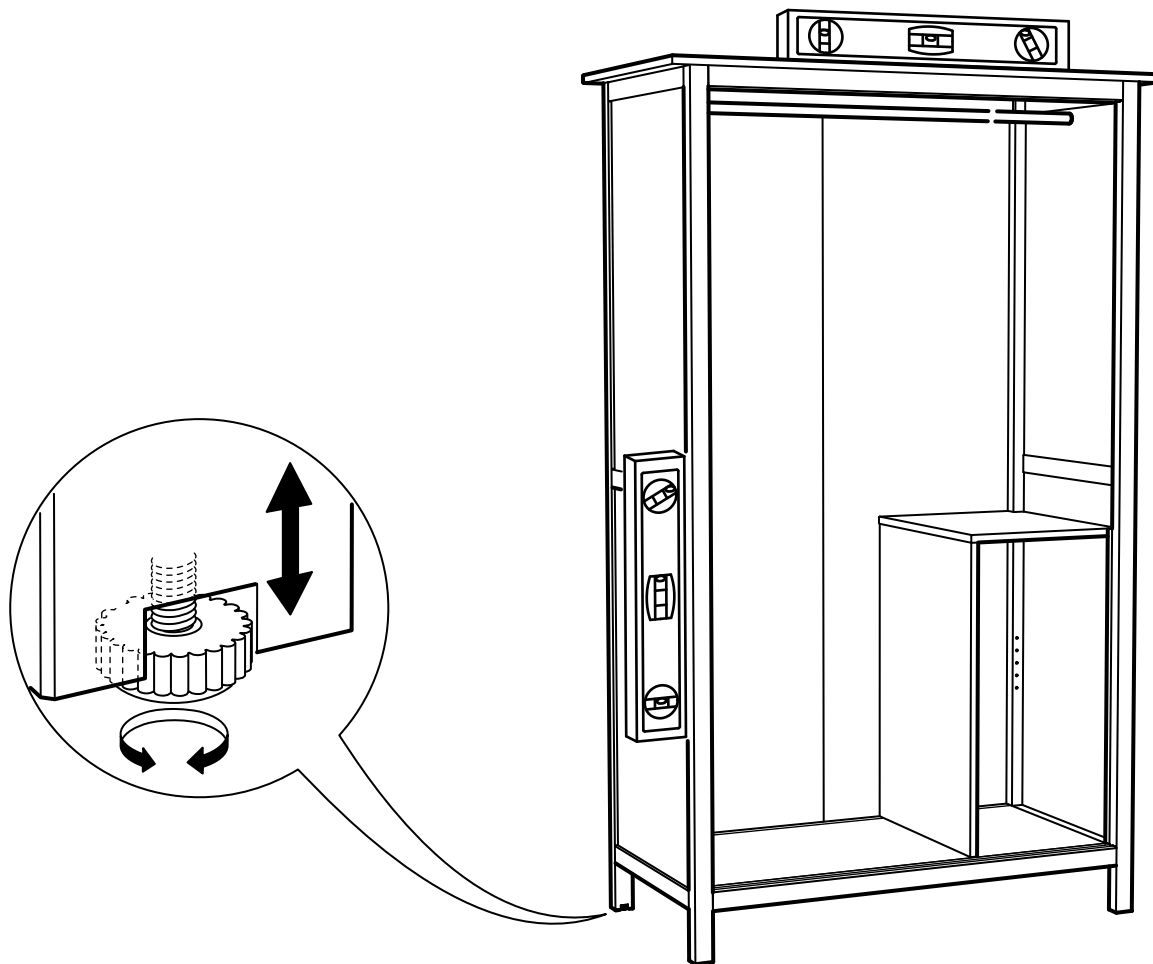


27

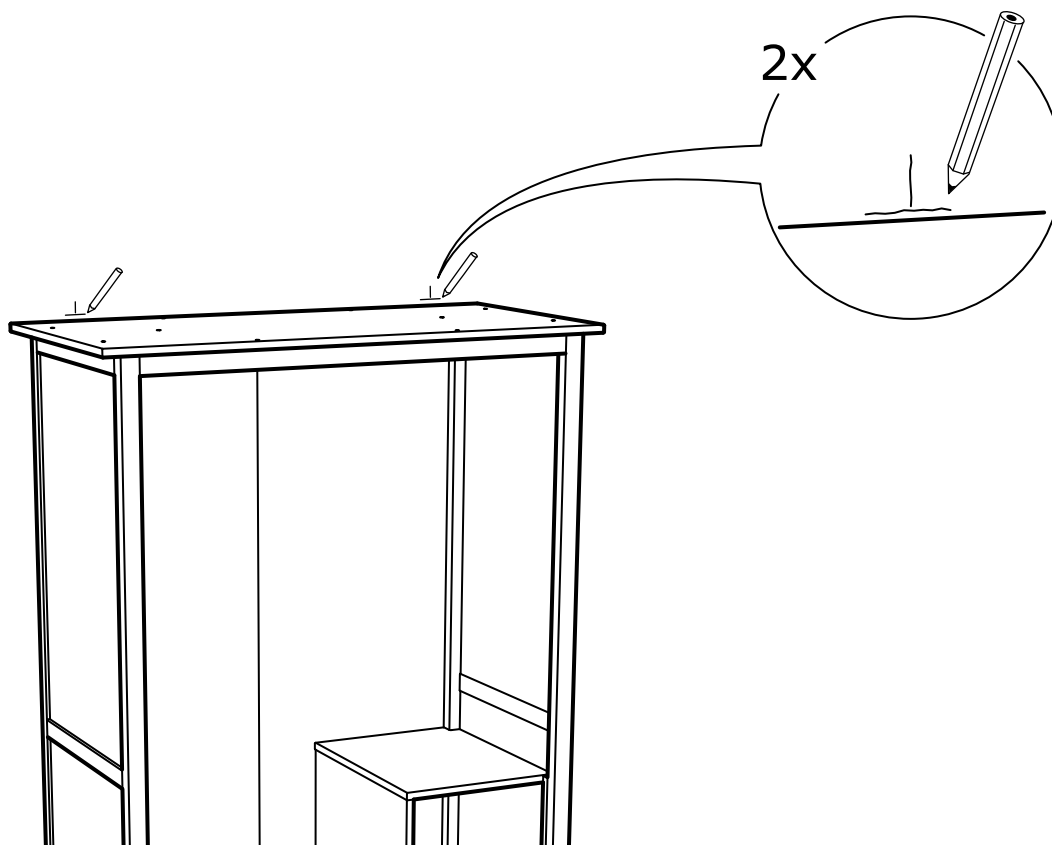




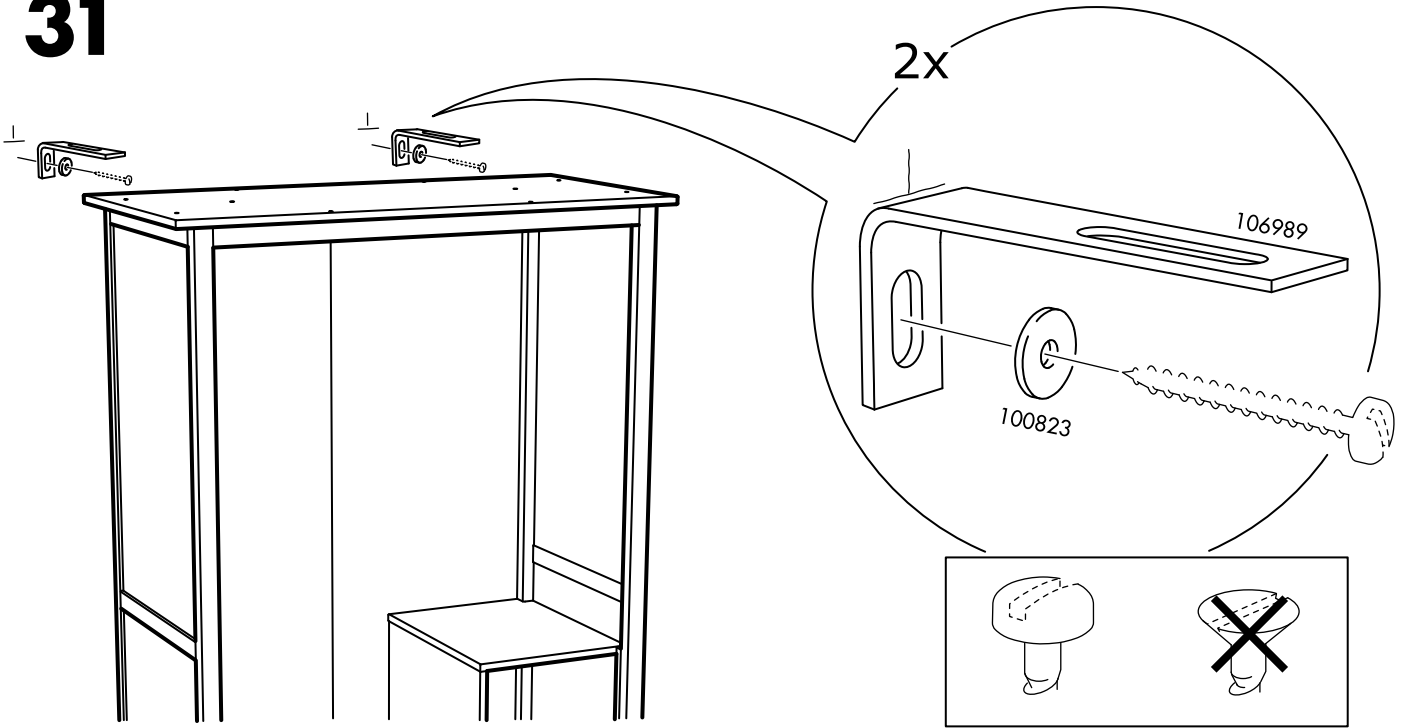
29



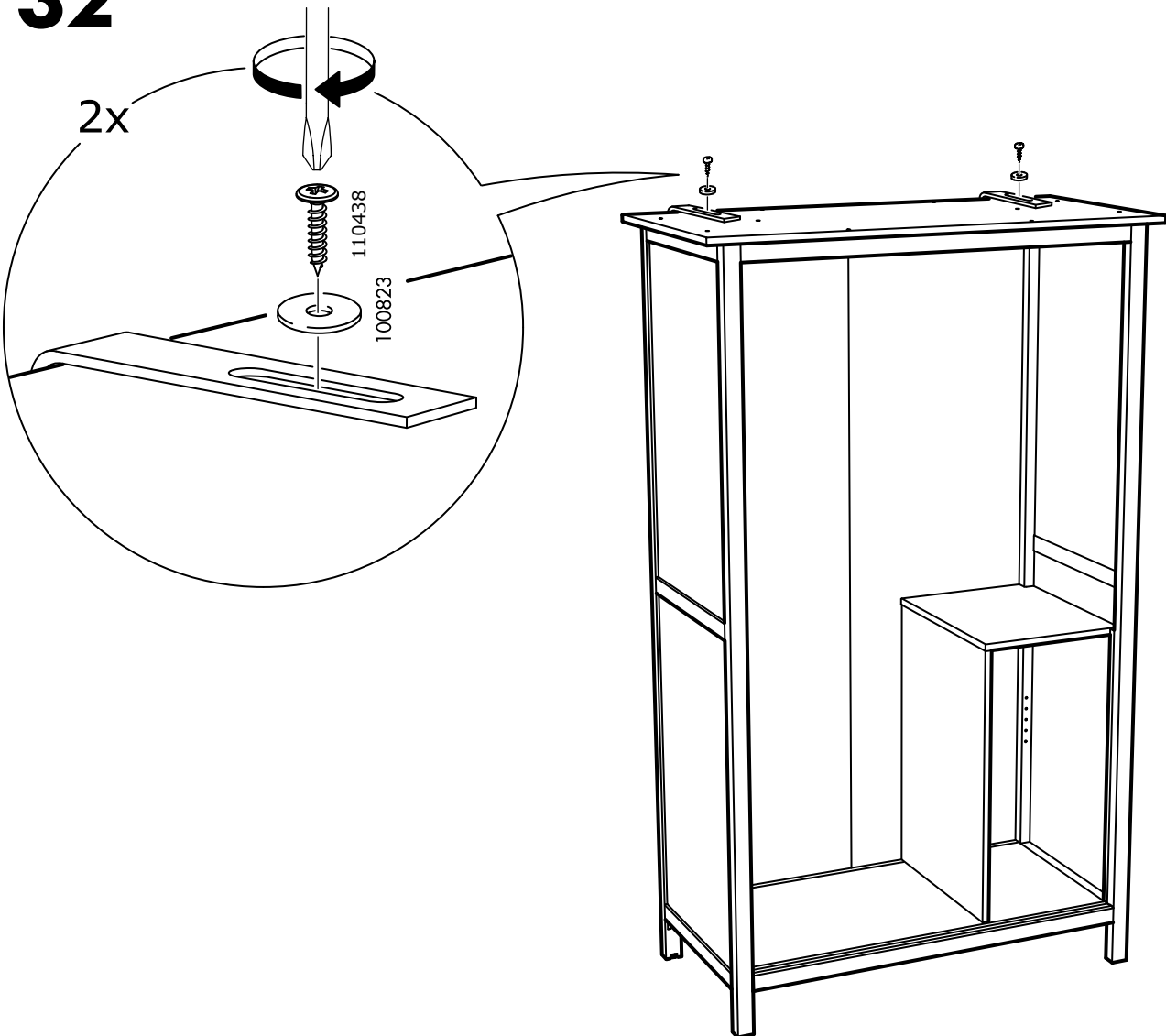
30



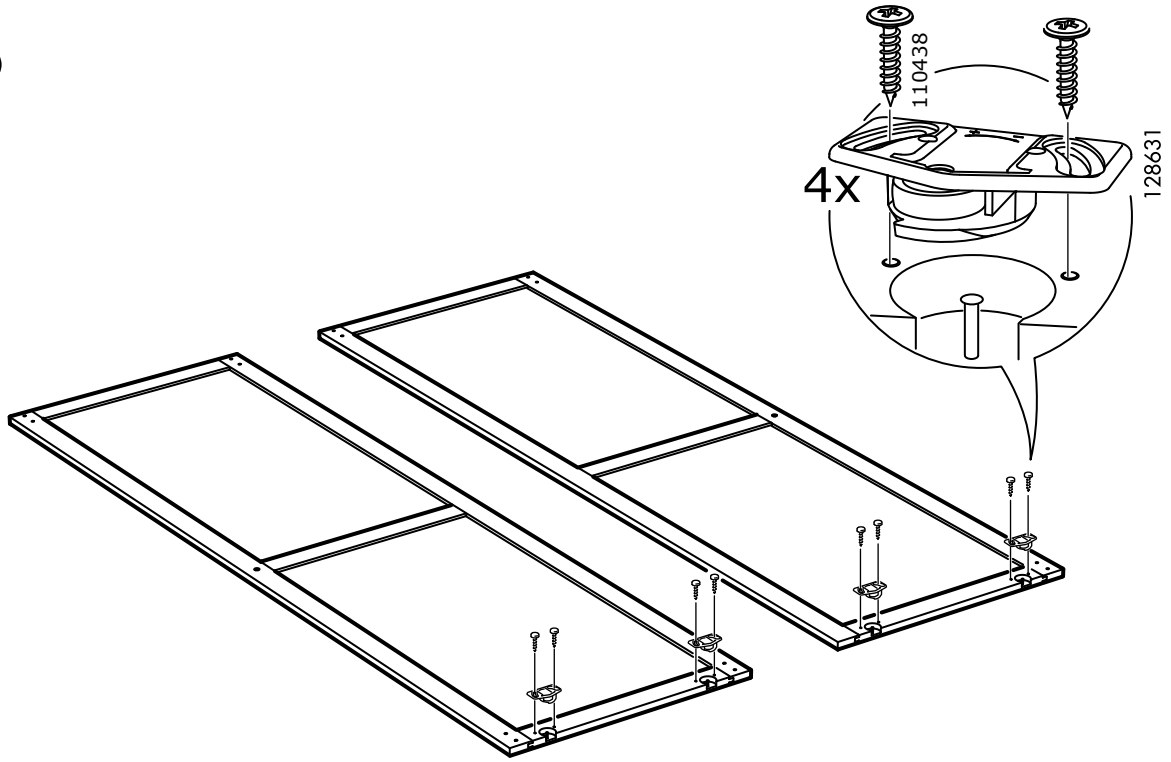
31



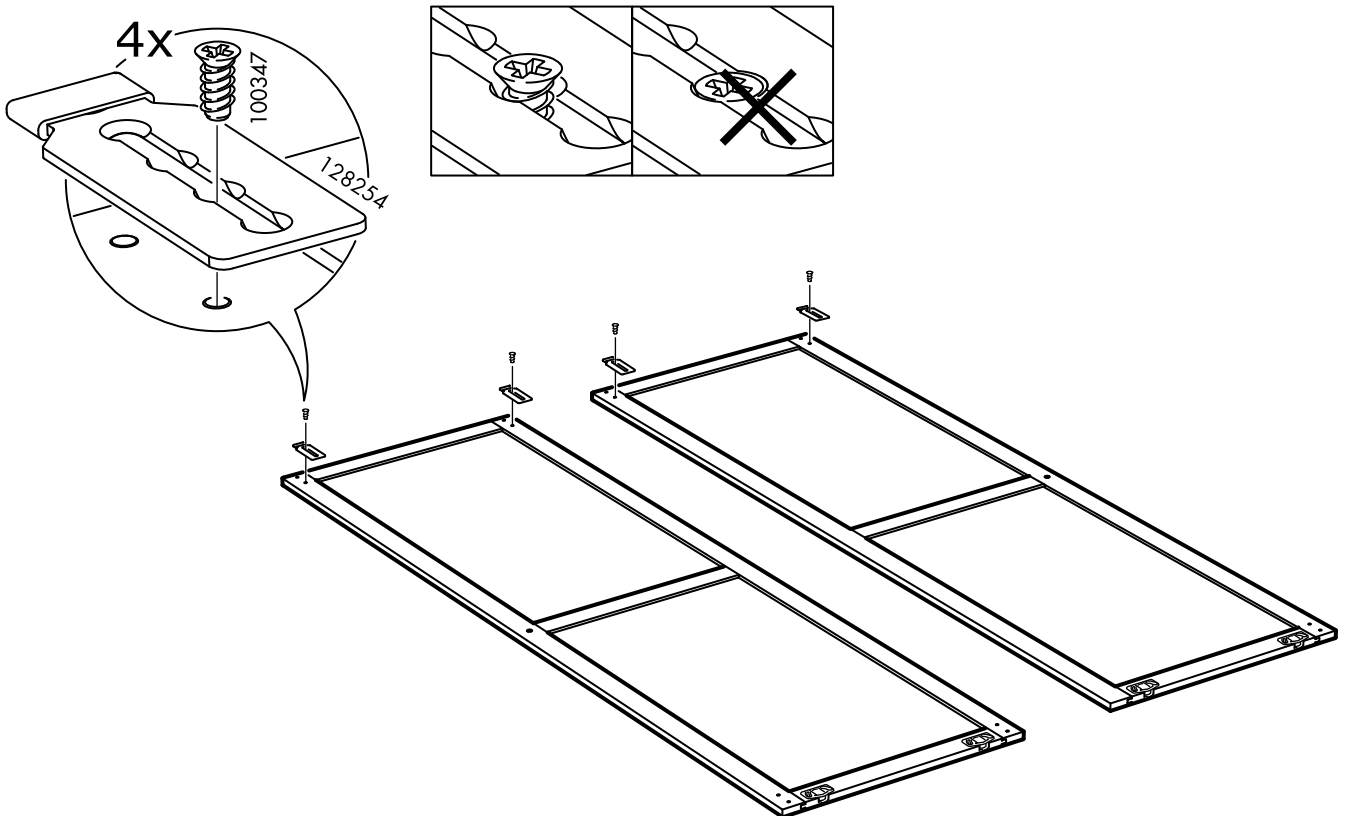
32



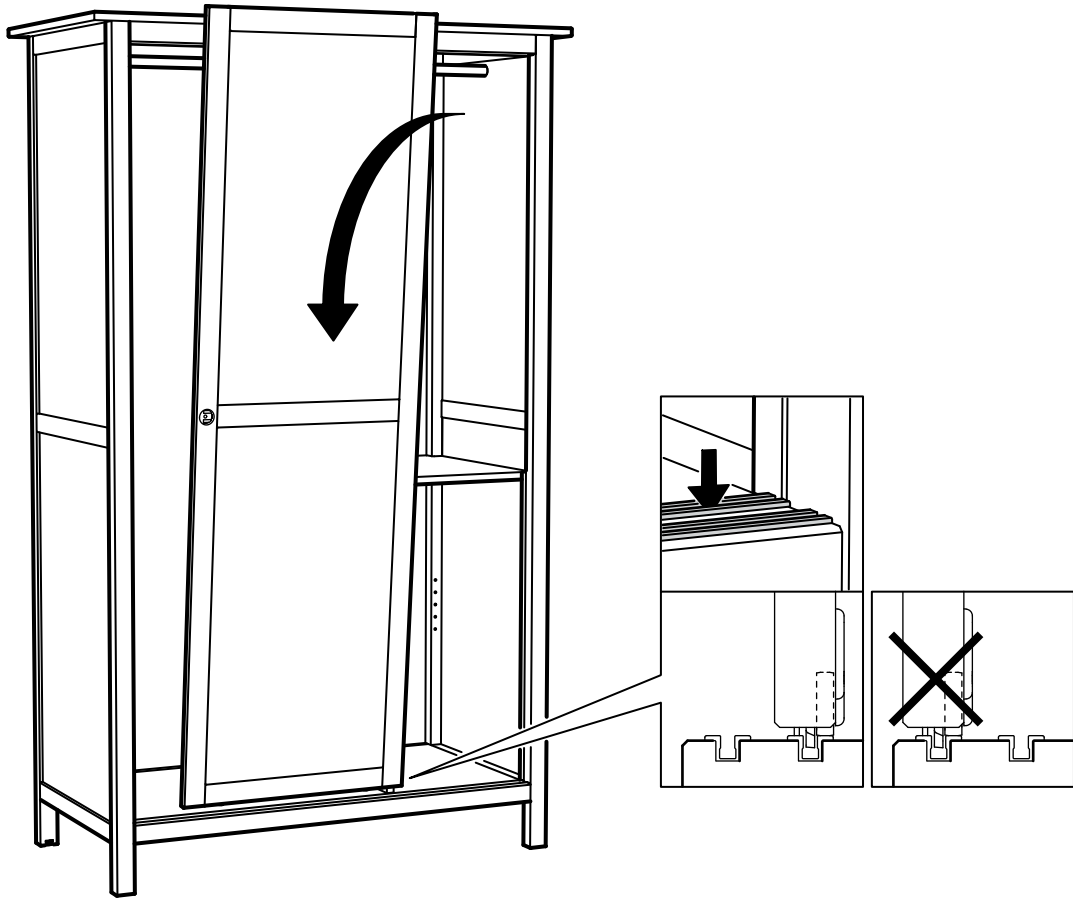
33



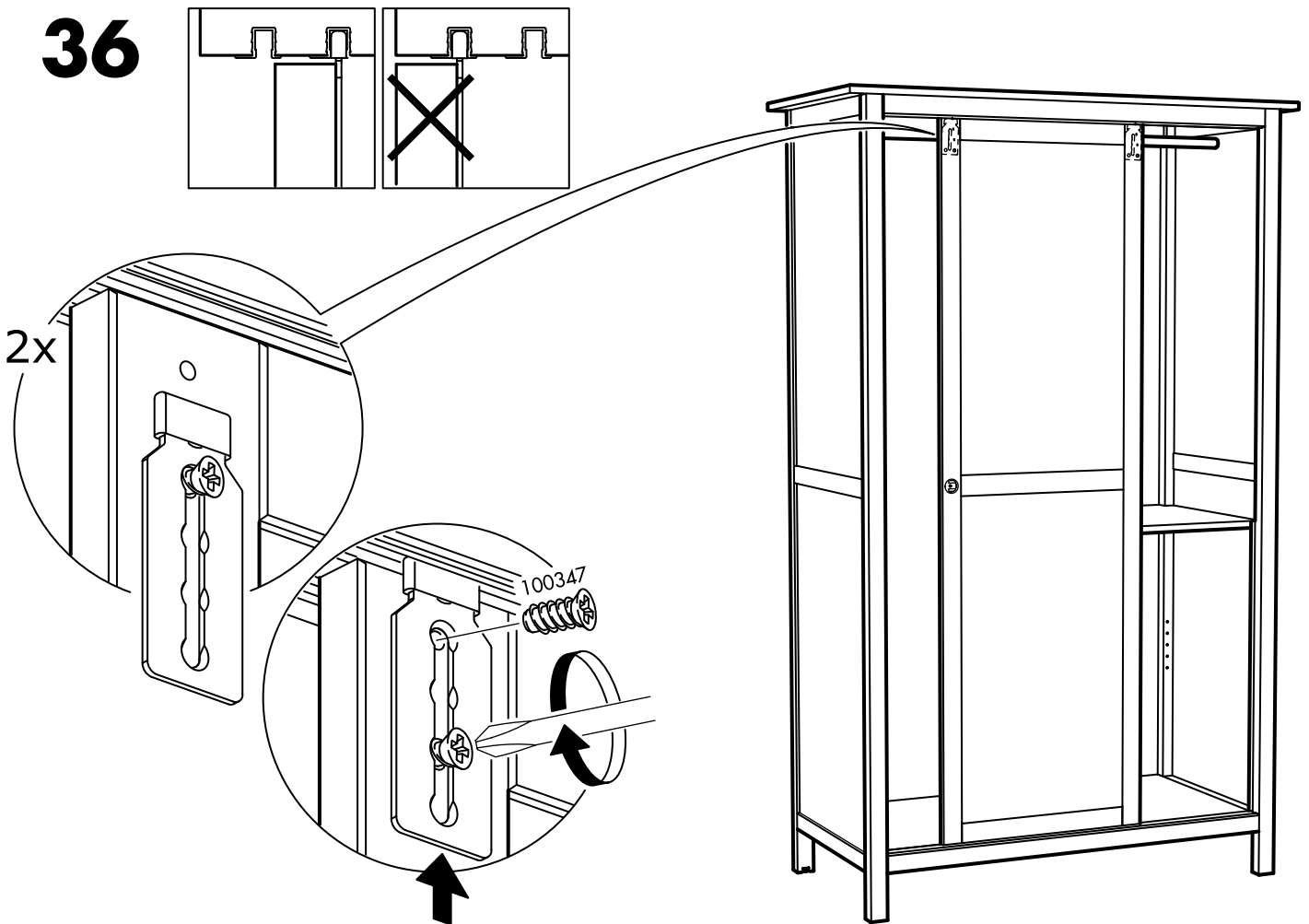
34



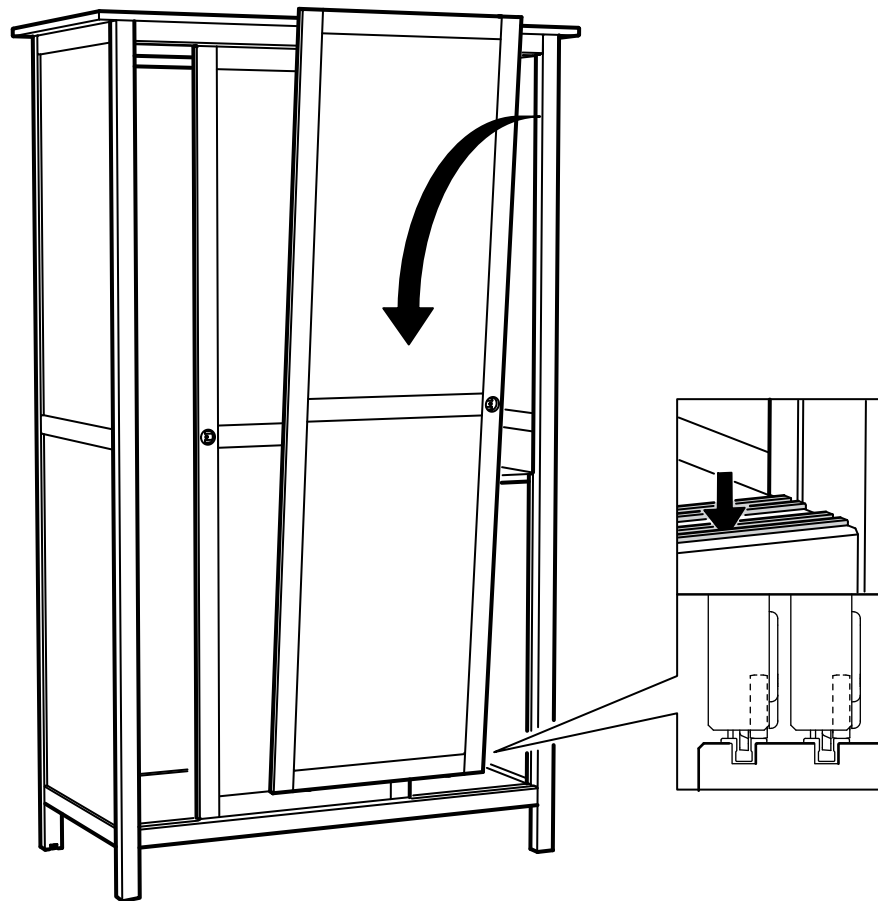
35



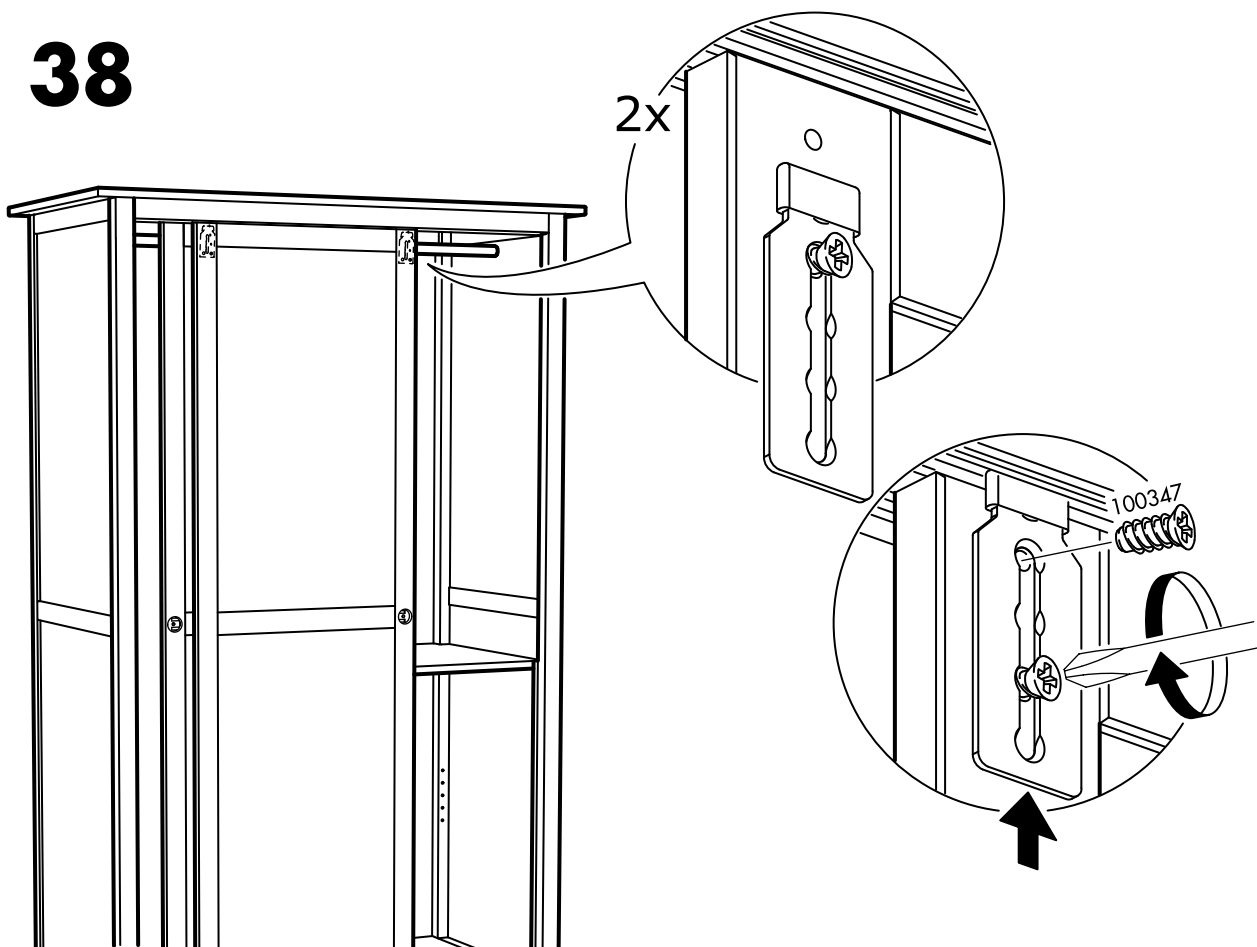
36

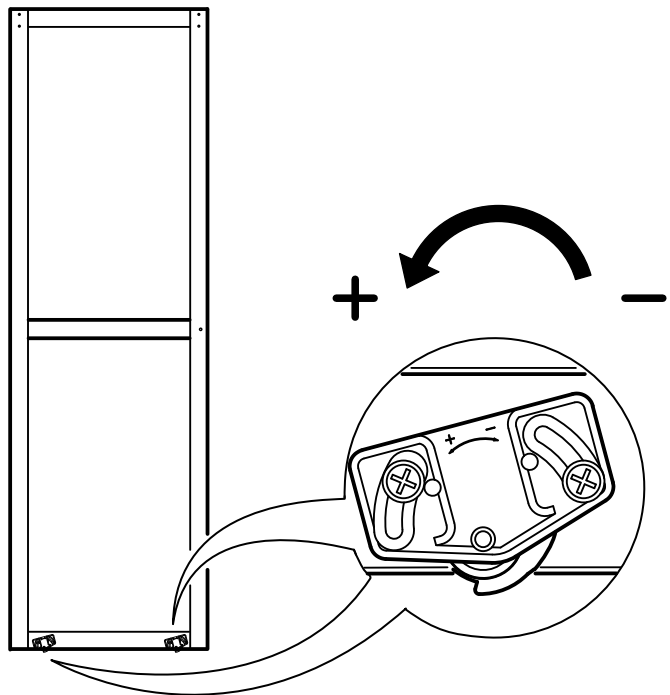
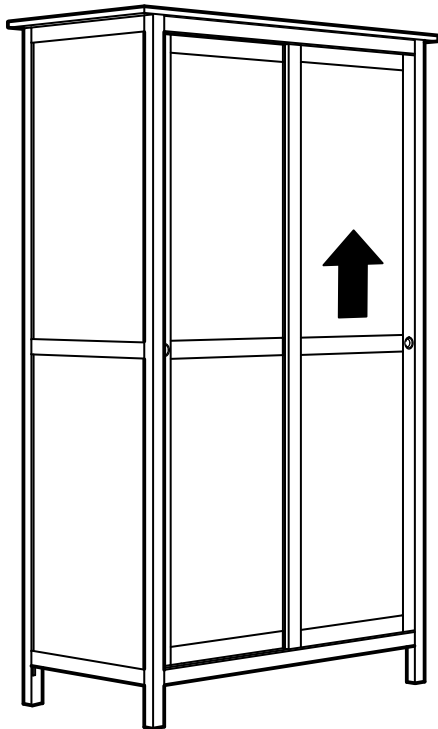
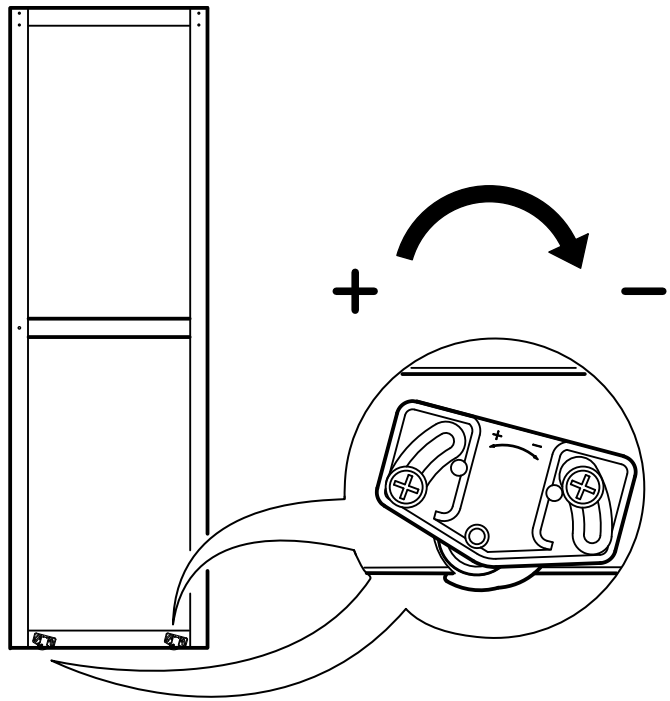
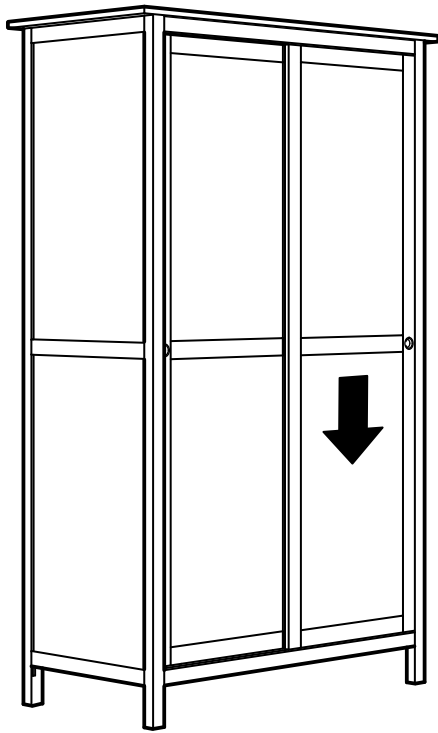


37

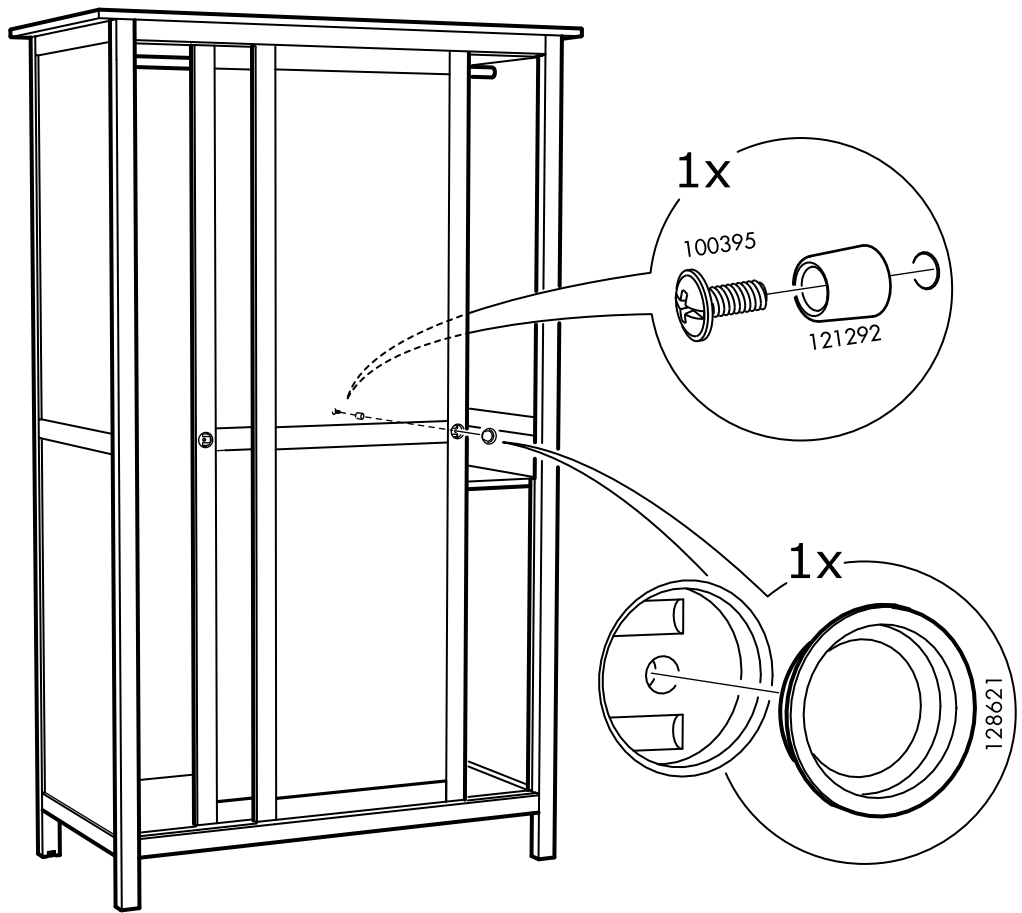


38





39



40

