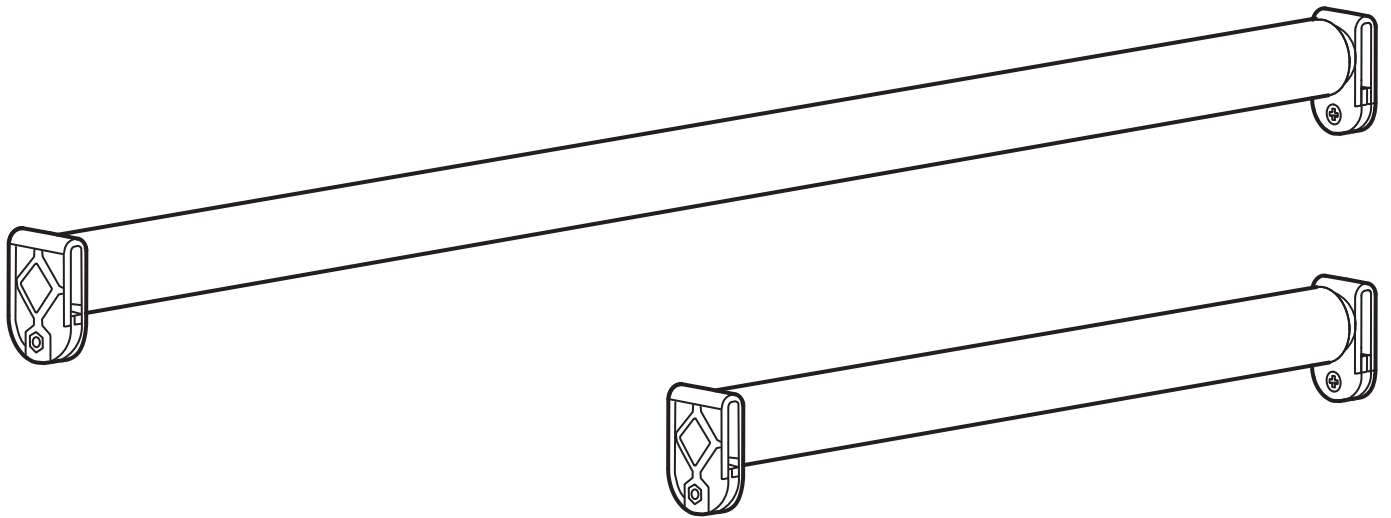
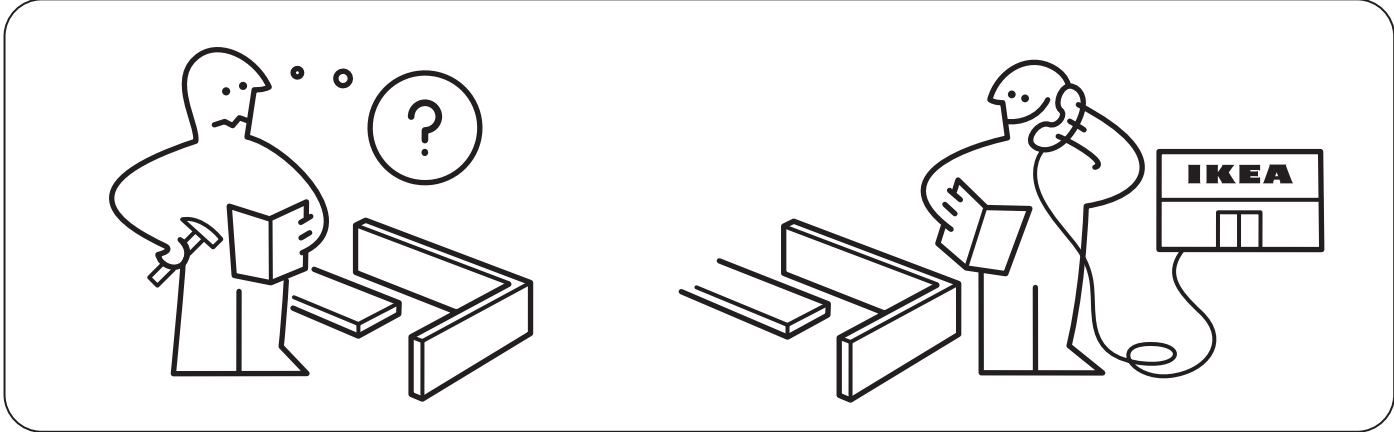
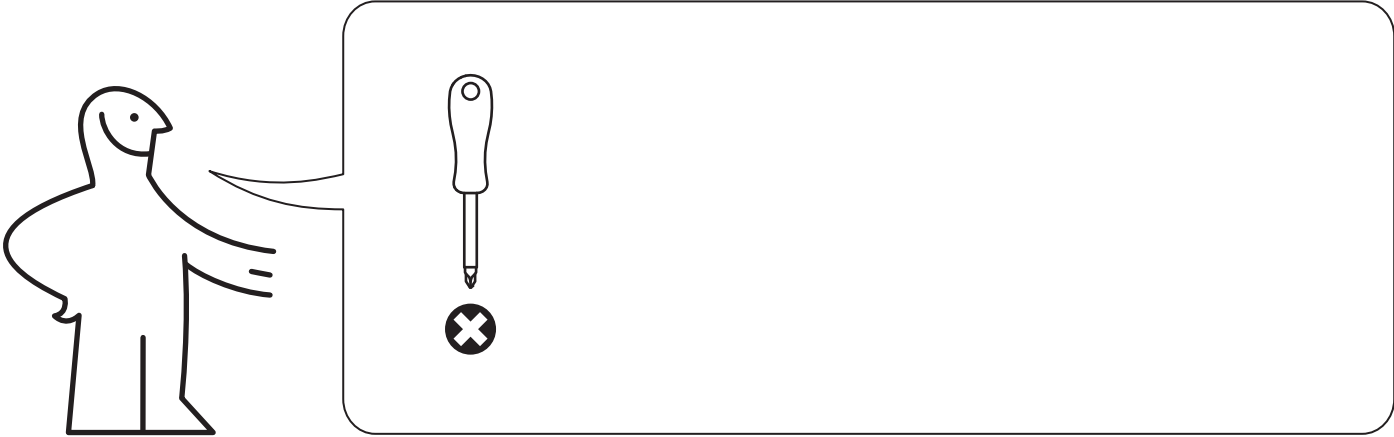


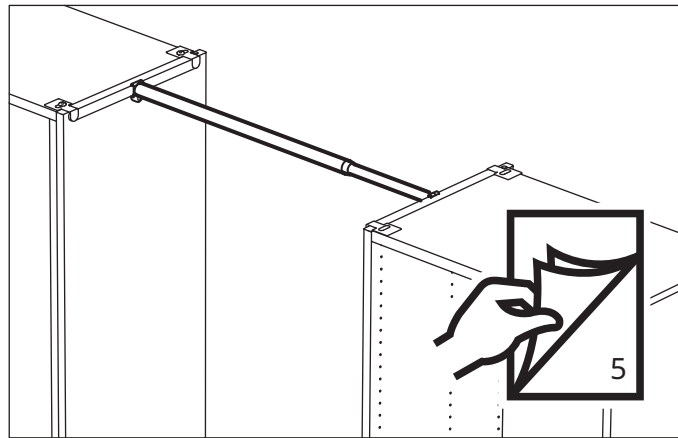
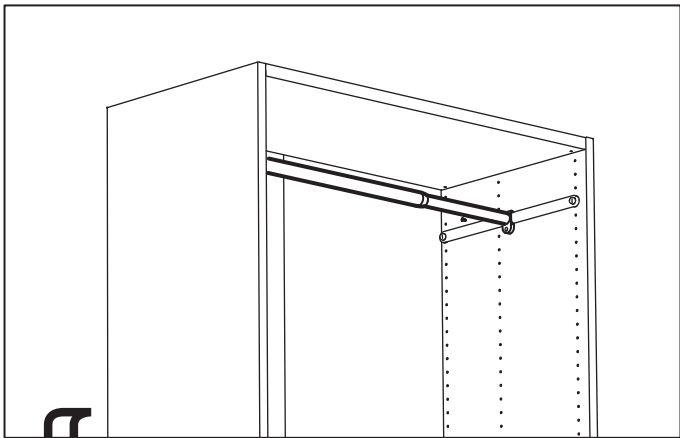
HJÄLPA



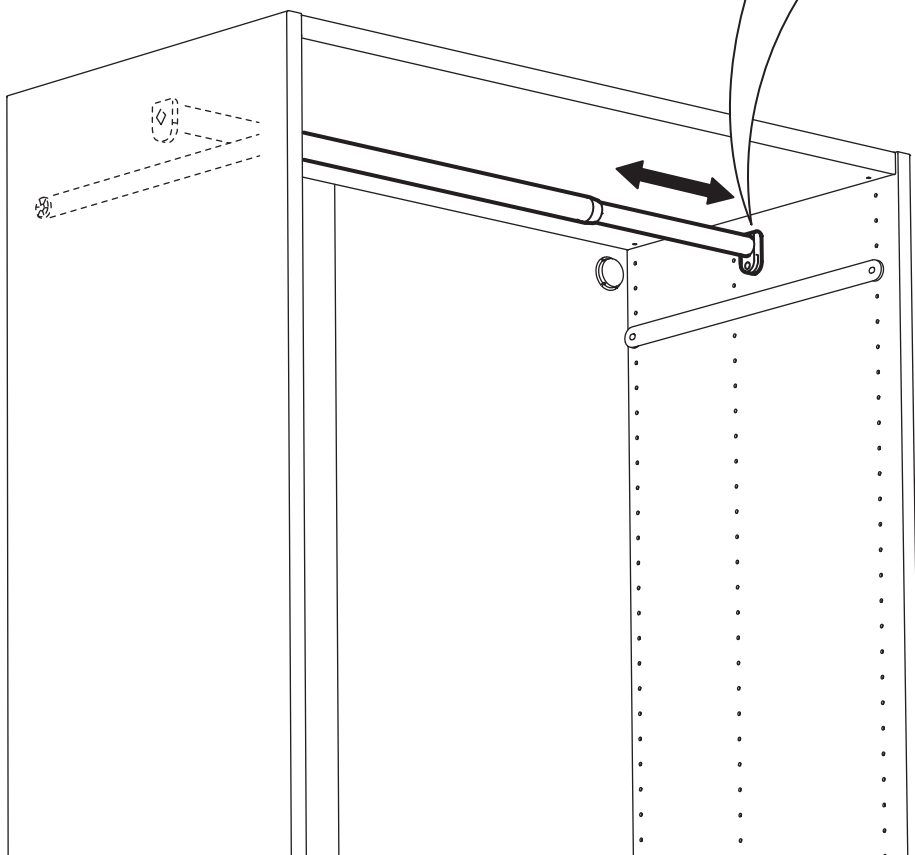
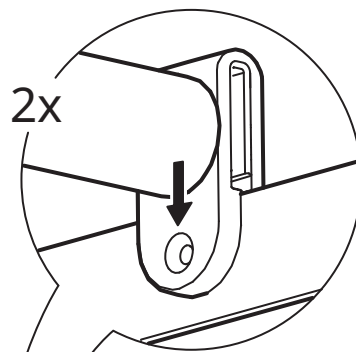
Design and Quality
IKEA of Sweden



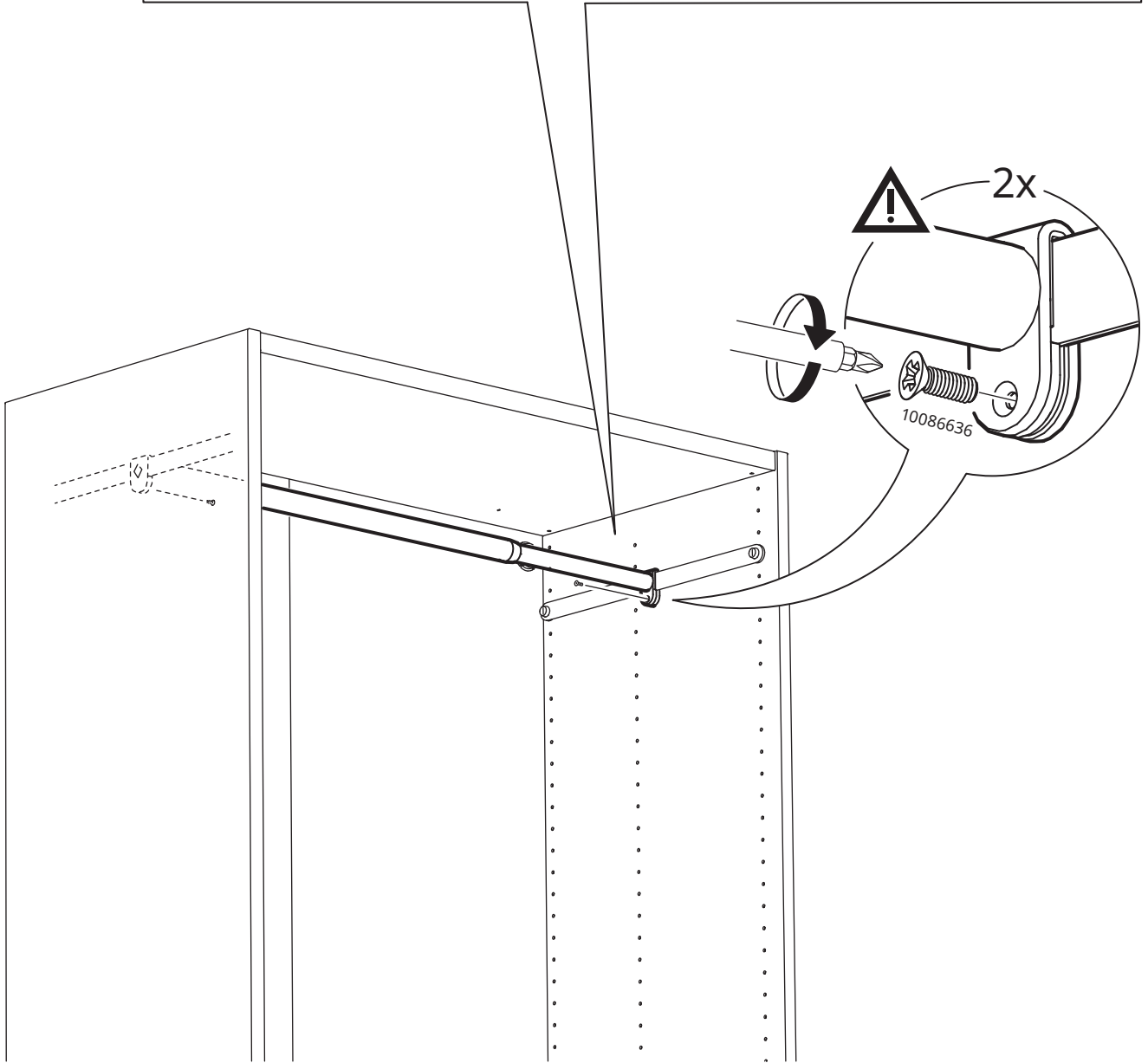
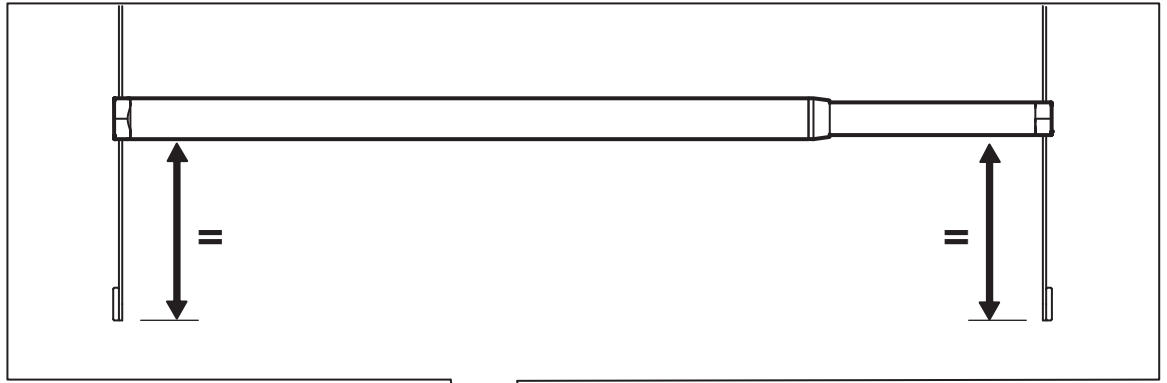
2x

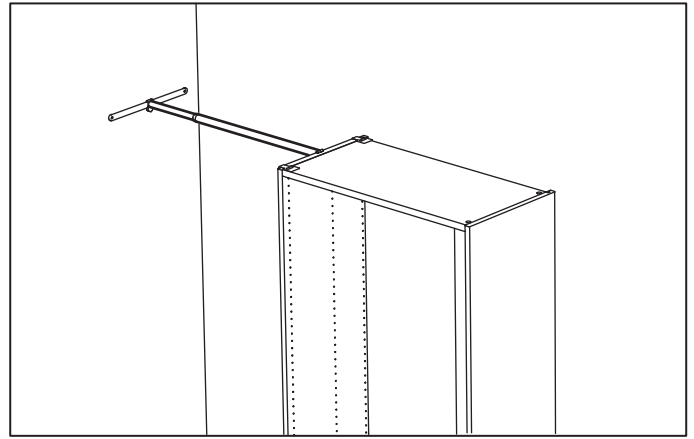
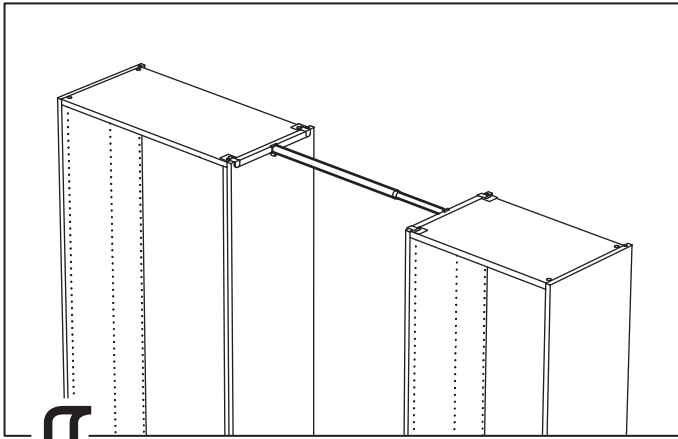


1

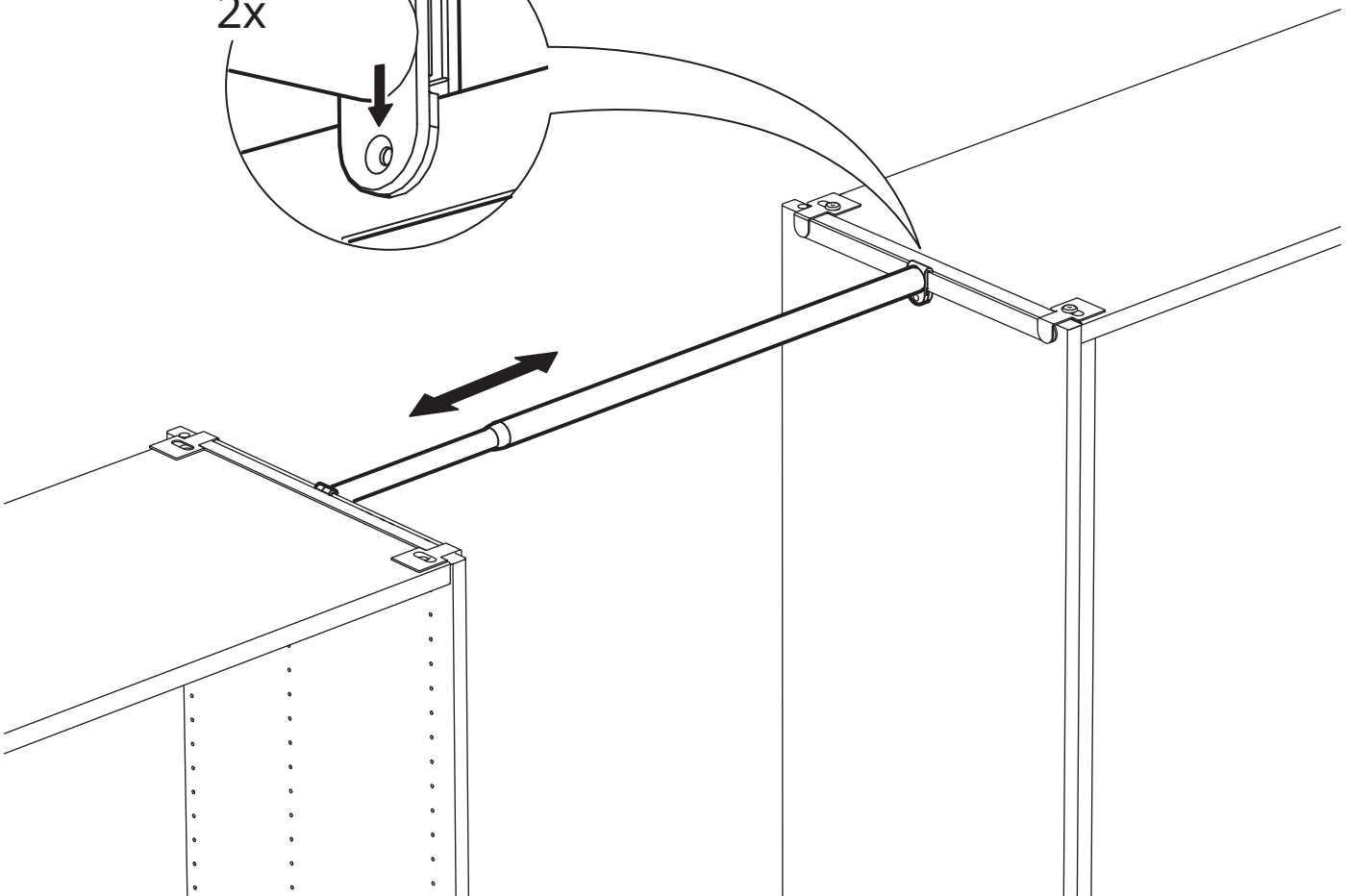
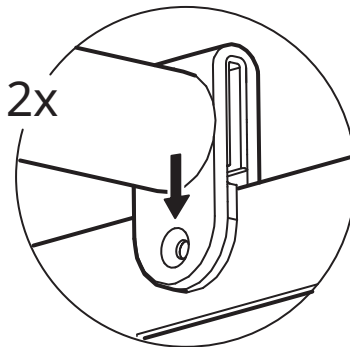


2





1



2

