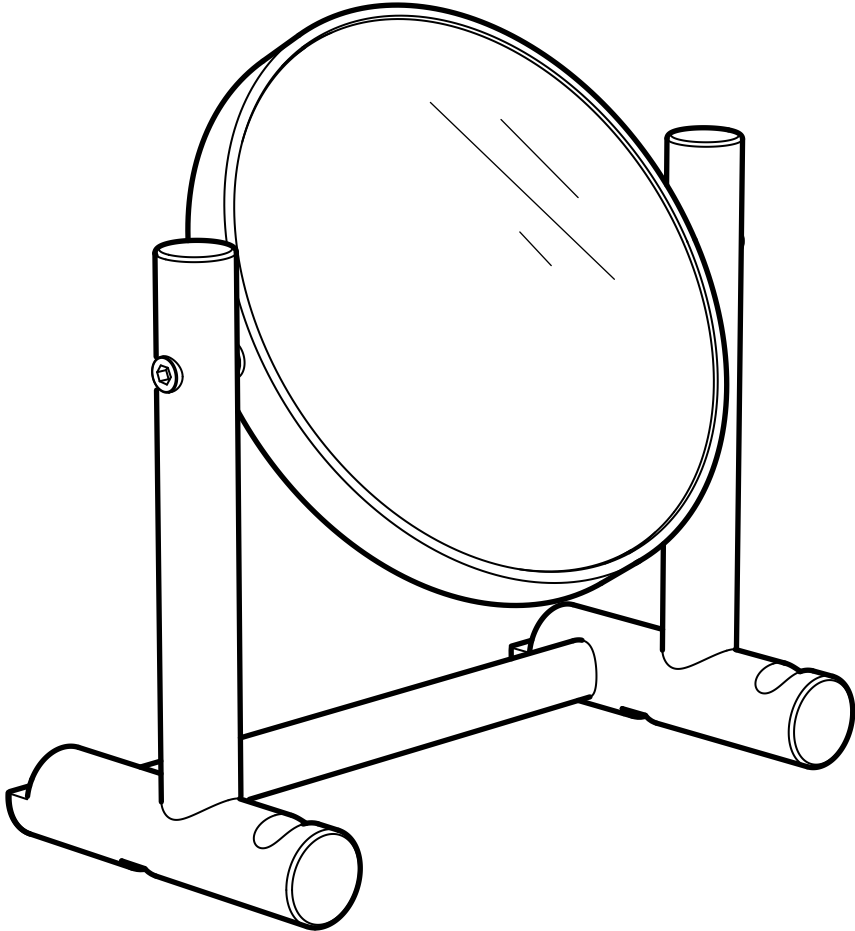
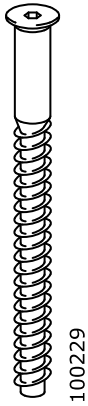
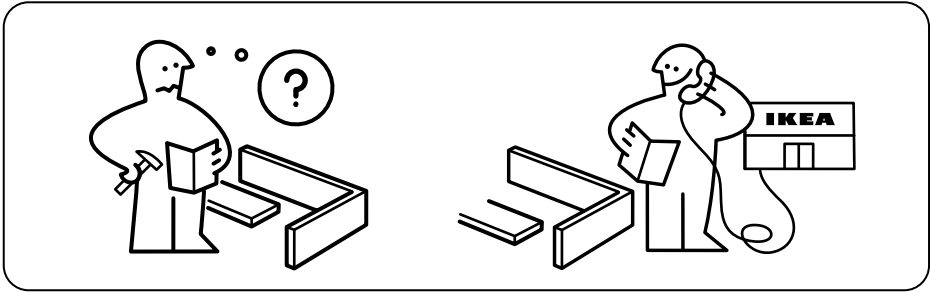


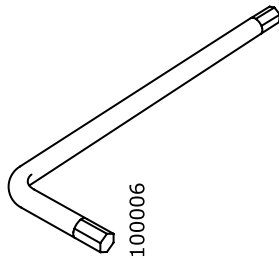
IKEA PS 2014



Design and Quality
IKEA of Sweden

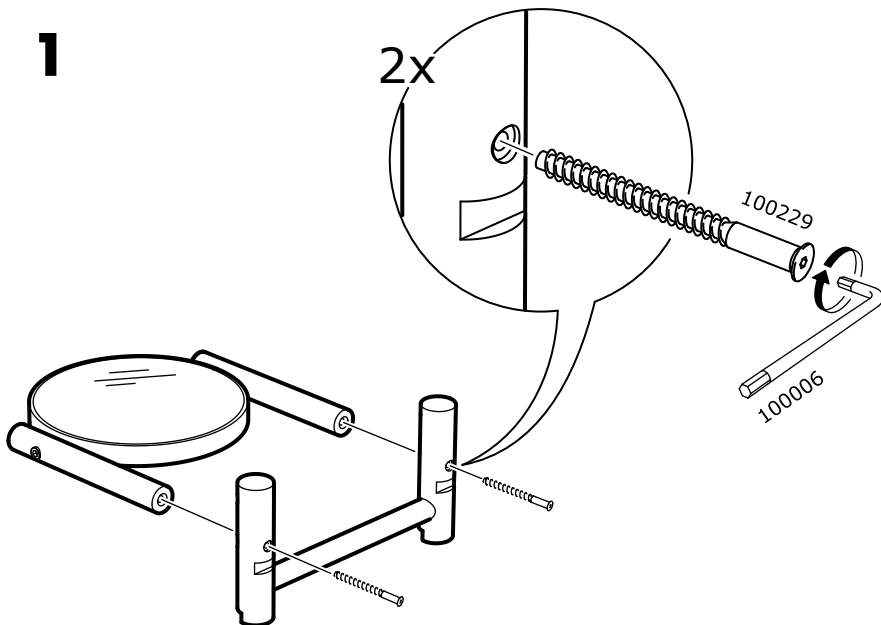


2x



1x

1



2

