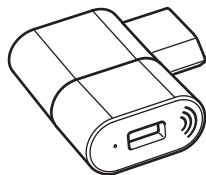
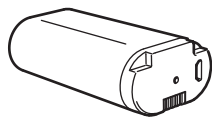
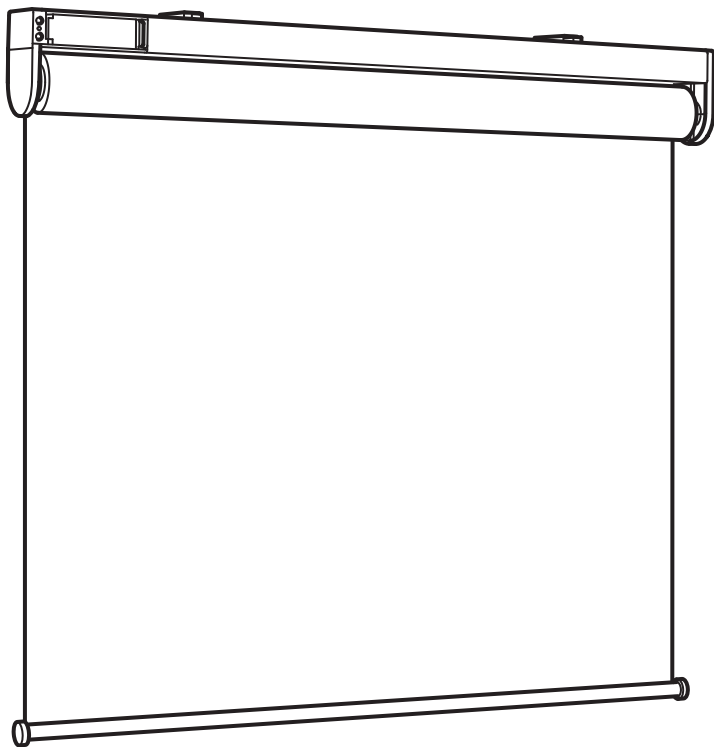
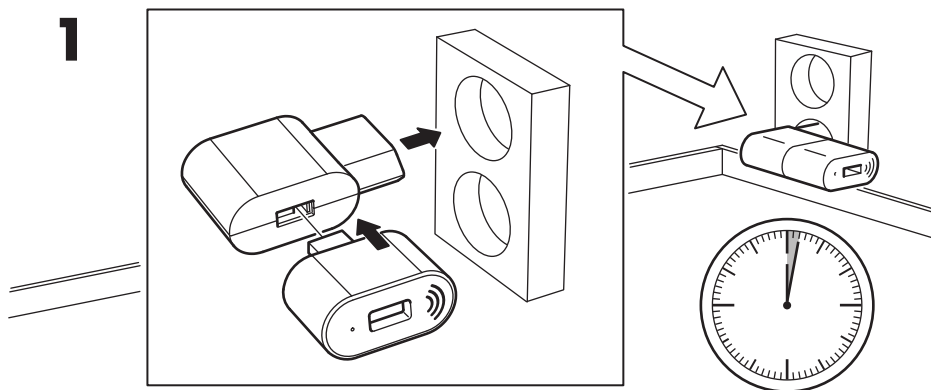


QUICK START GUIDE

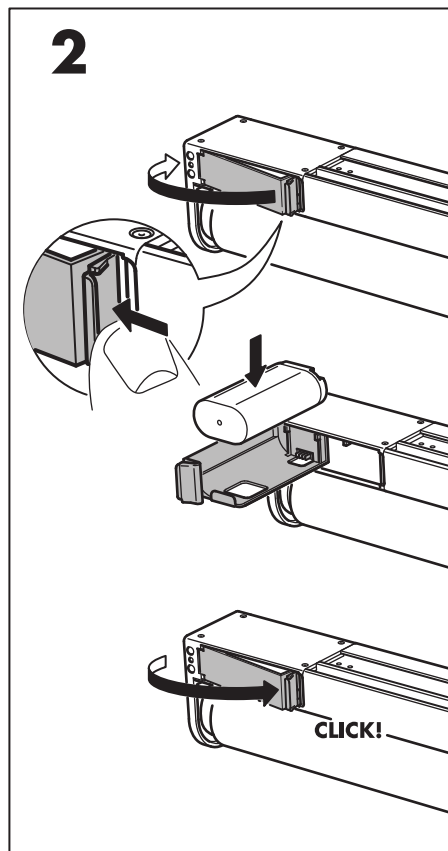


Design and Quality
IKEA of Sweden

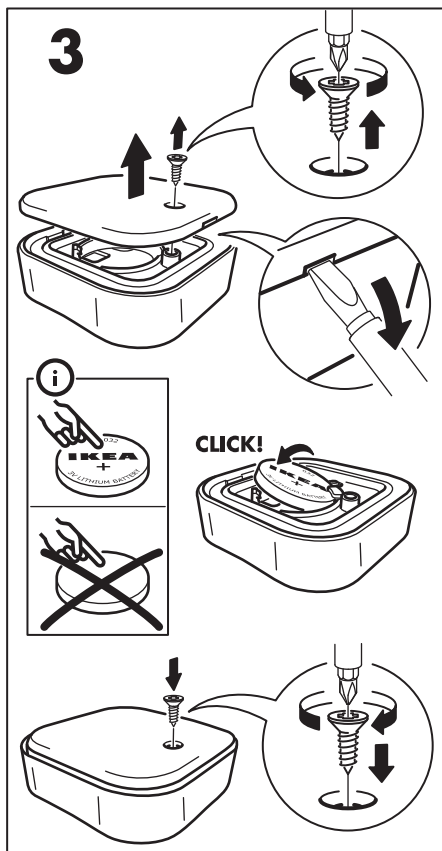
1



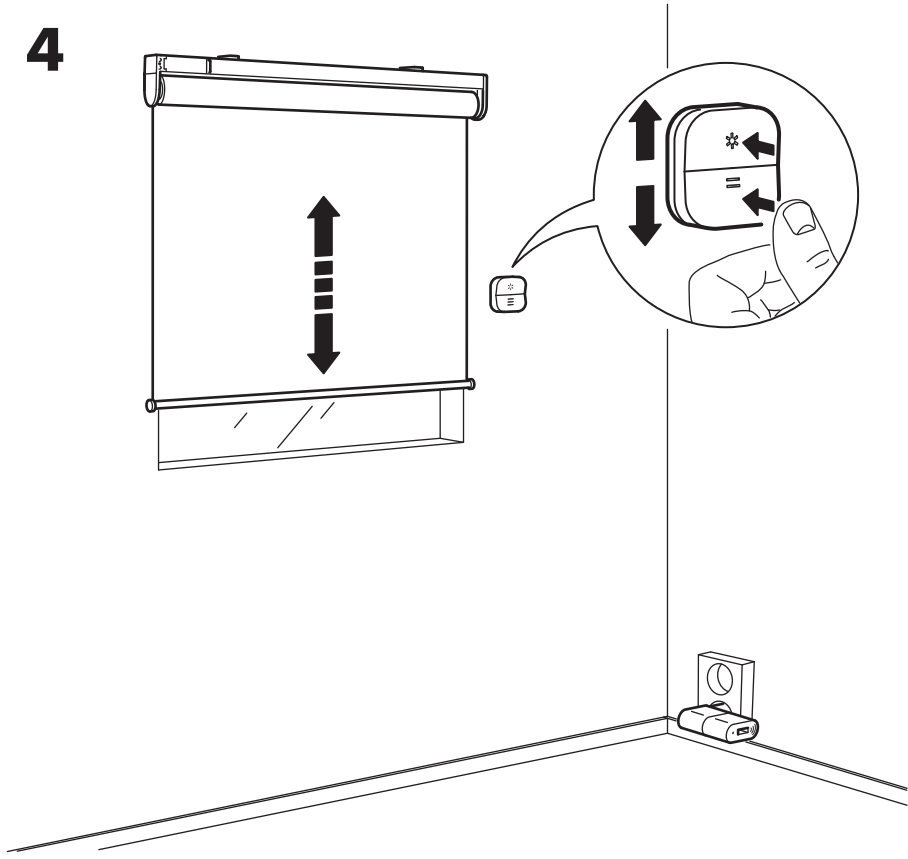
2



3



4



i

1x + 2-4x

TRÅDFRI

