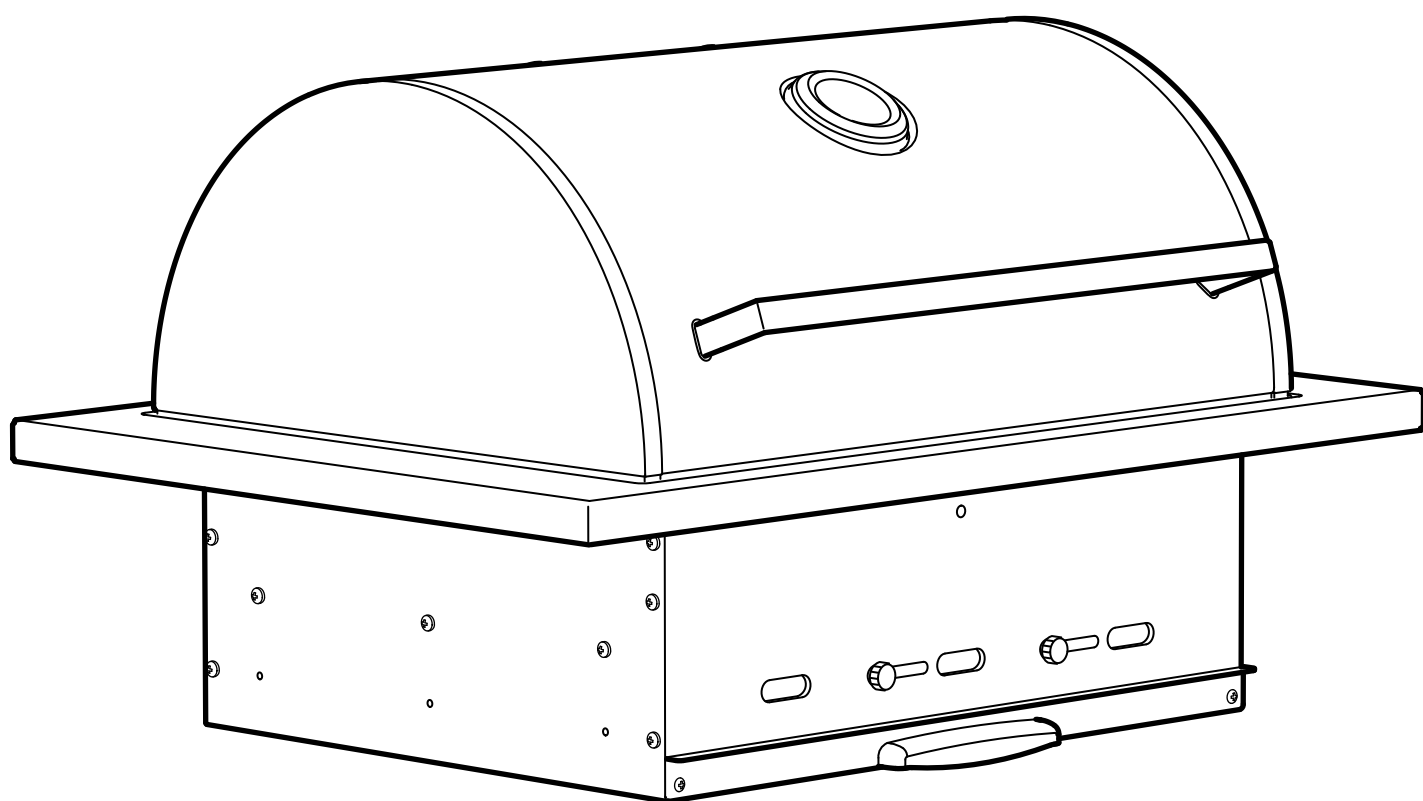
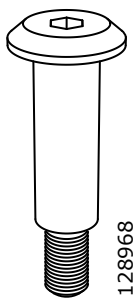
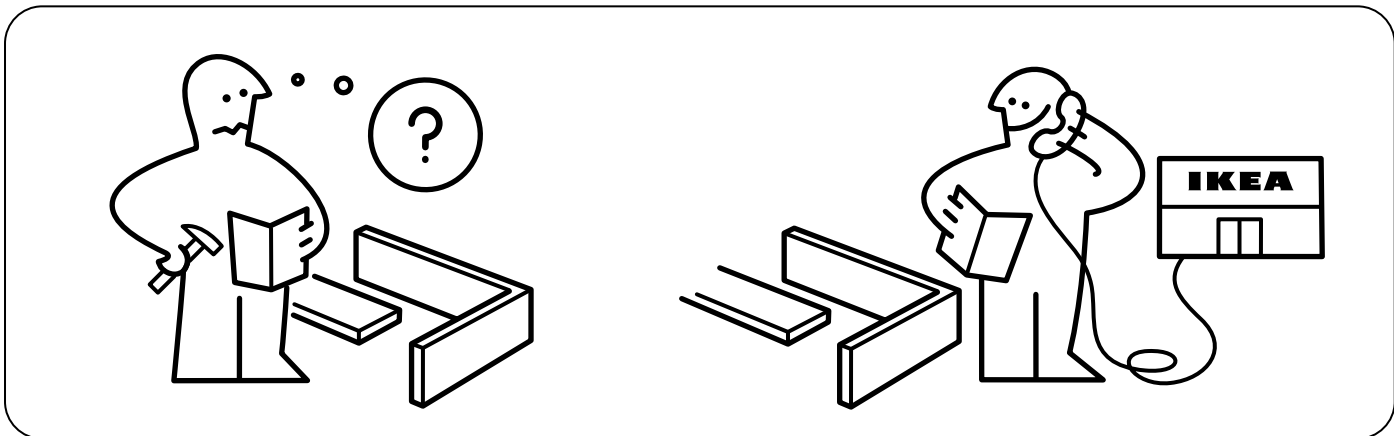
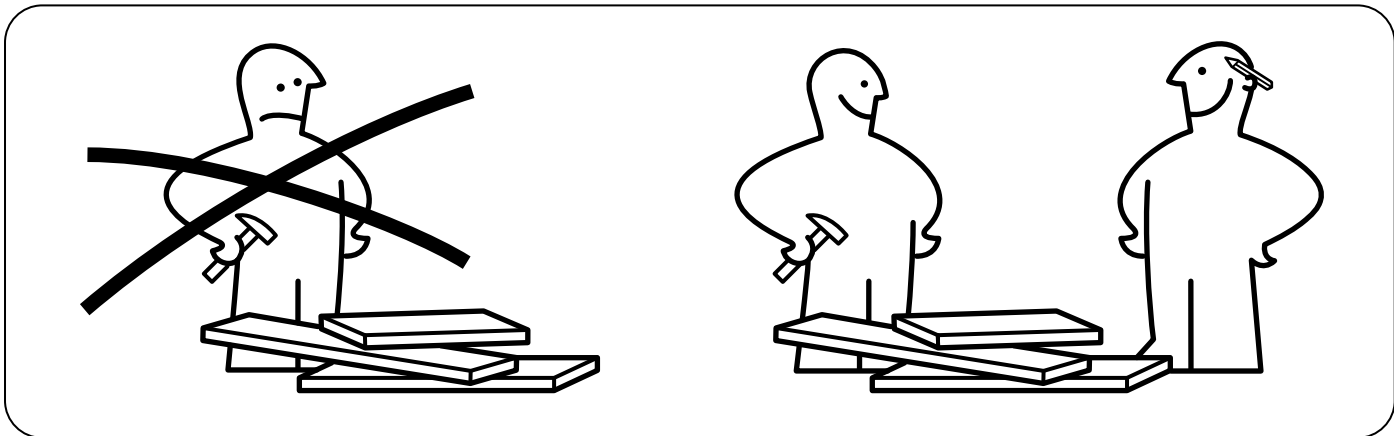


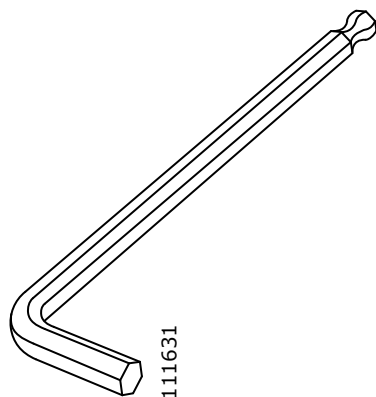
KLASEN



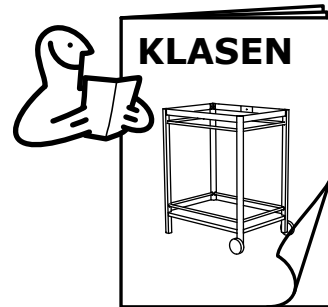
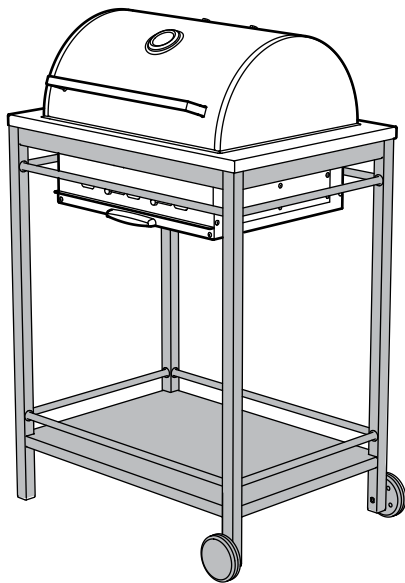
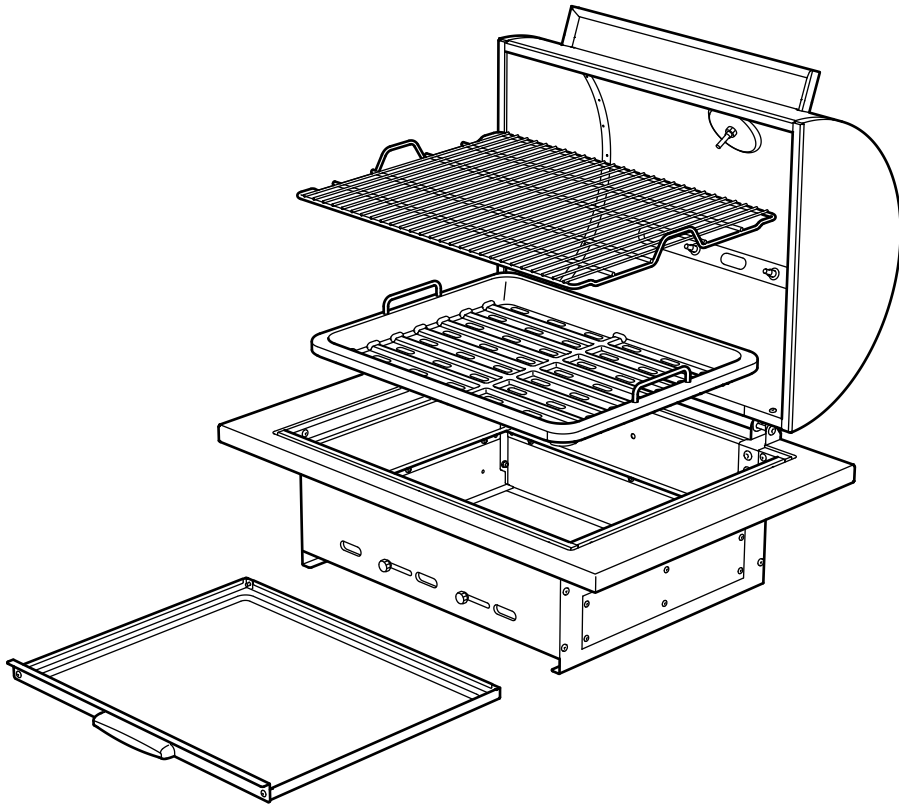
Design and Quality
IKEA of Sweden



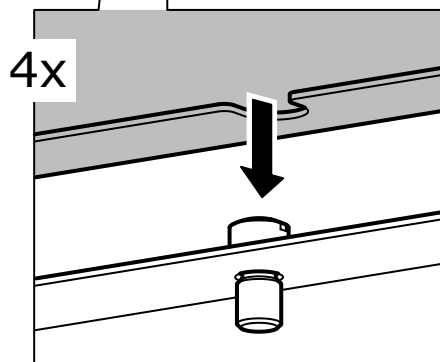
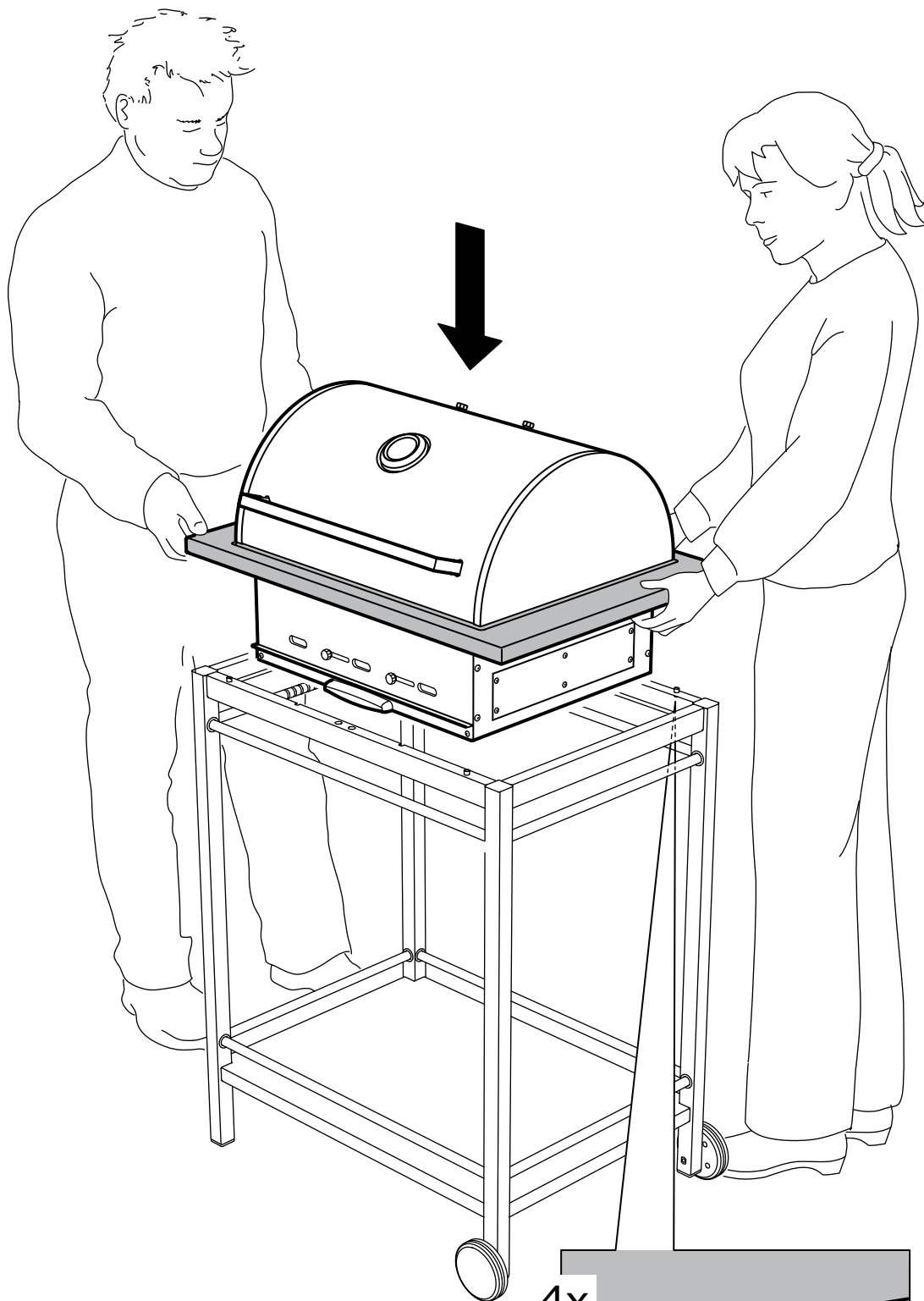
2x



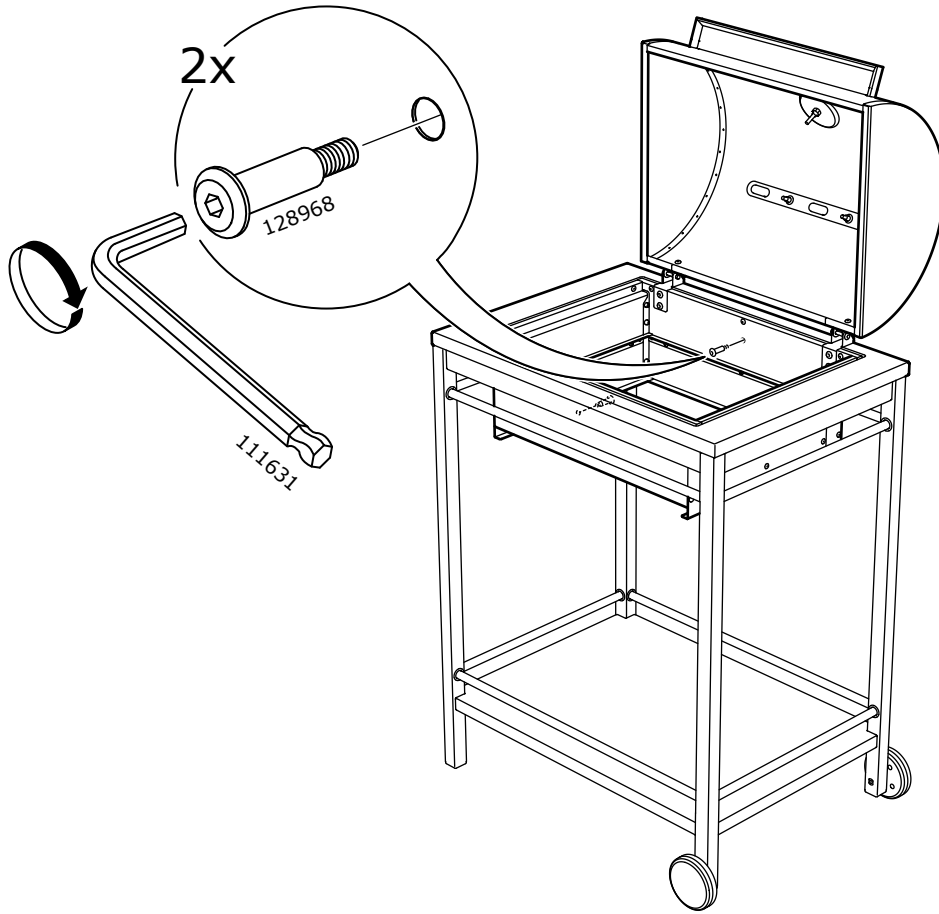
1x



1



2



3

