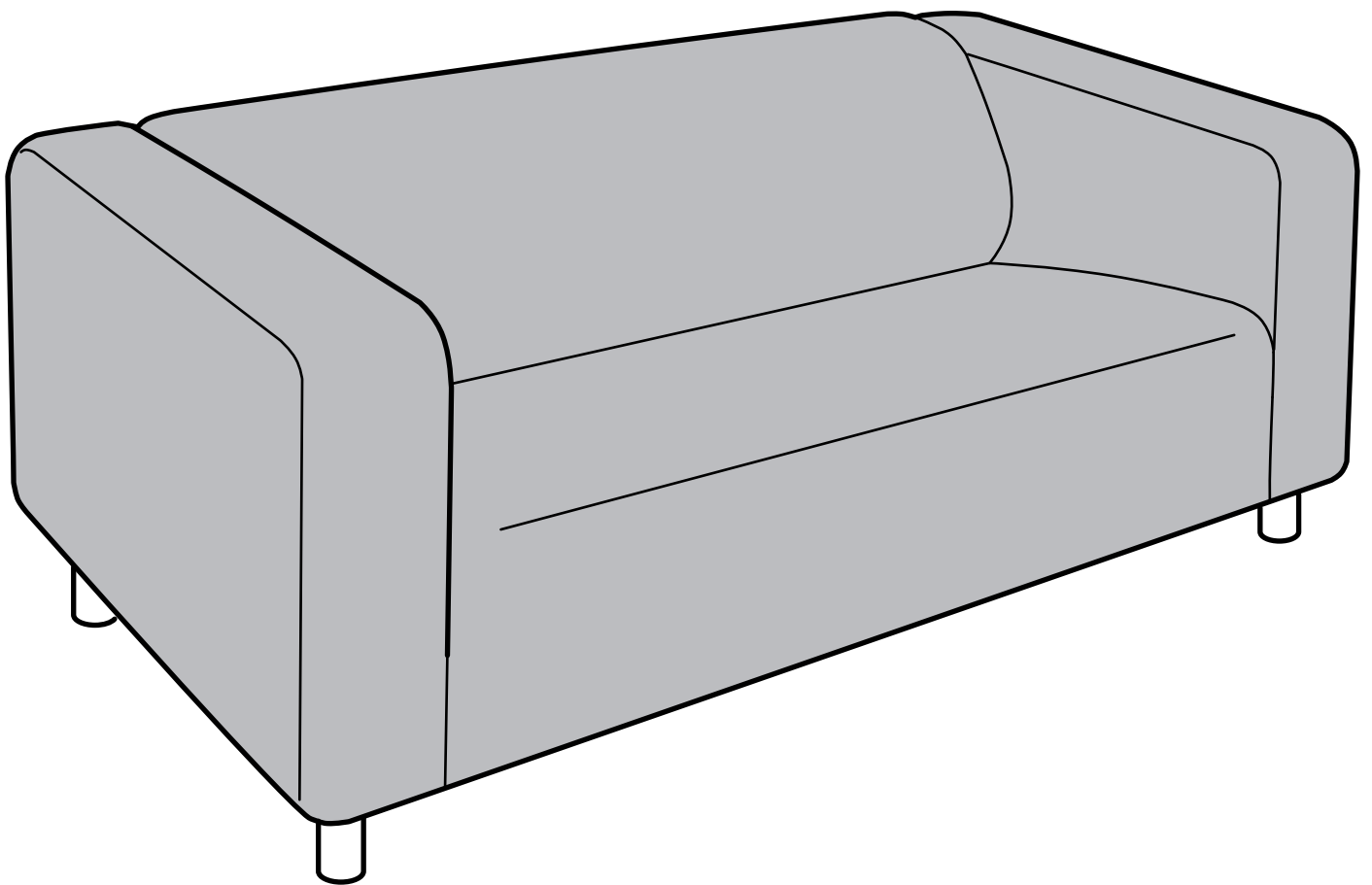
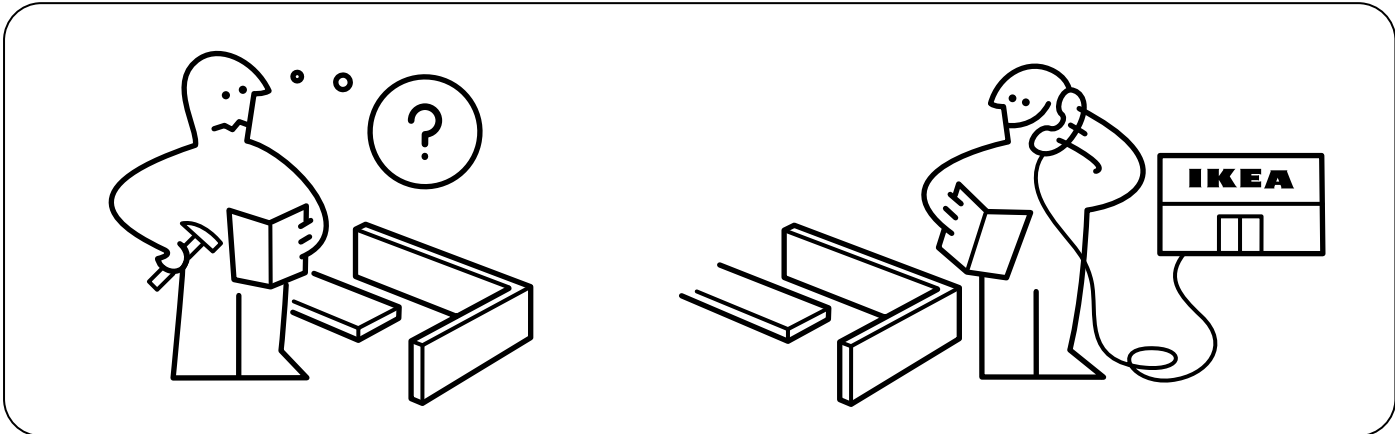


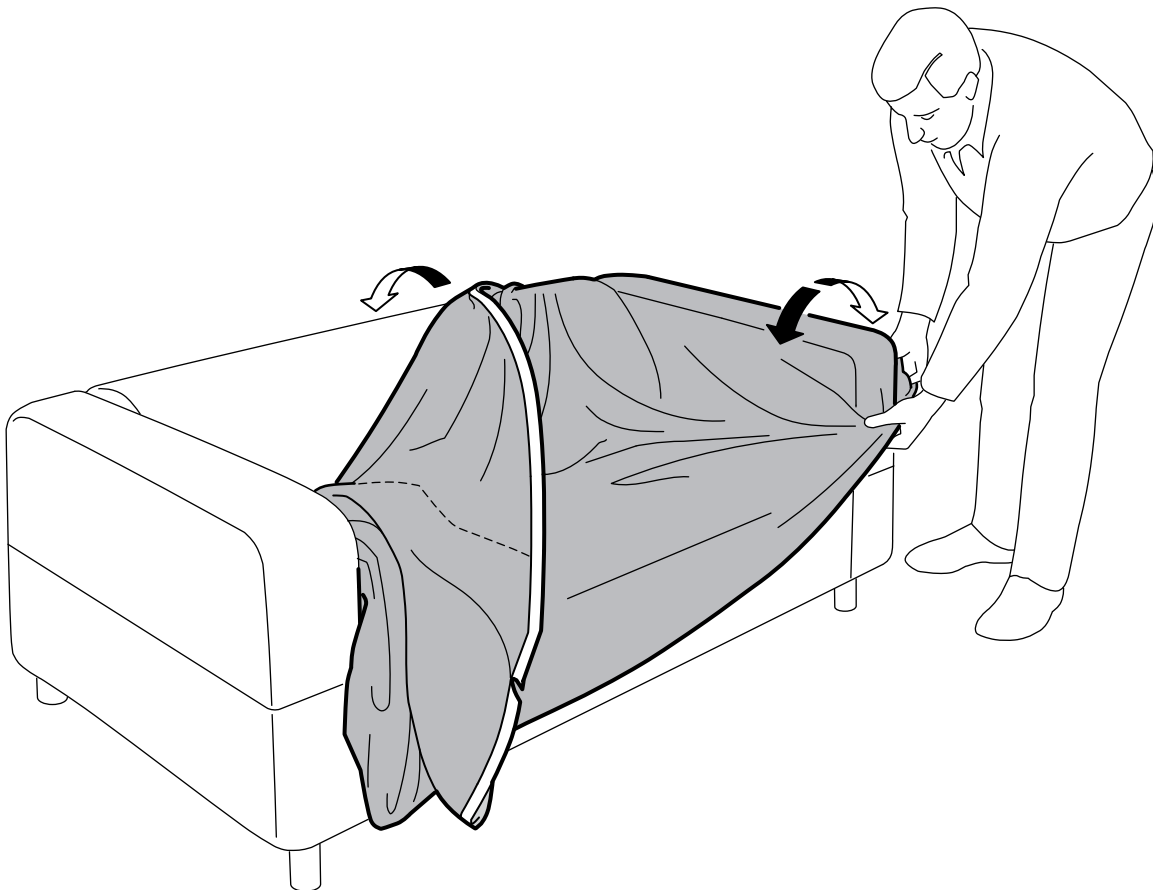
KLIPPAN



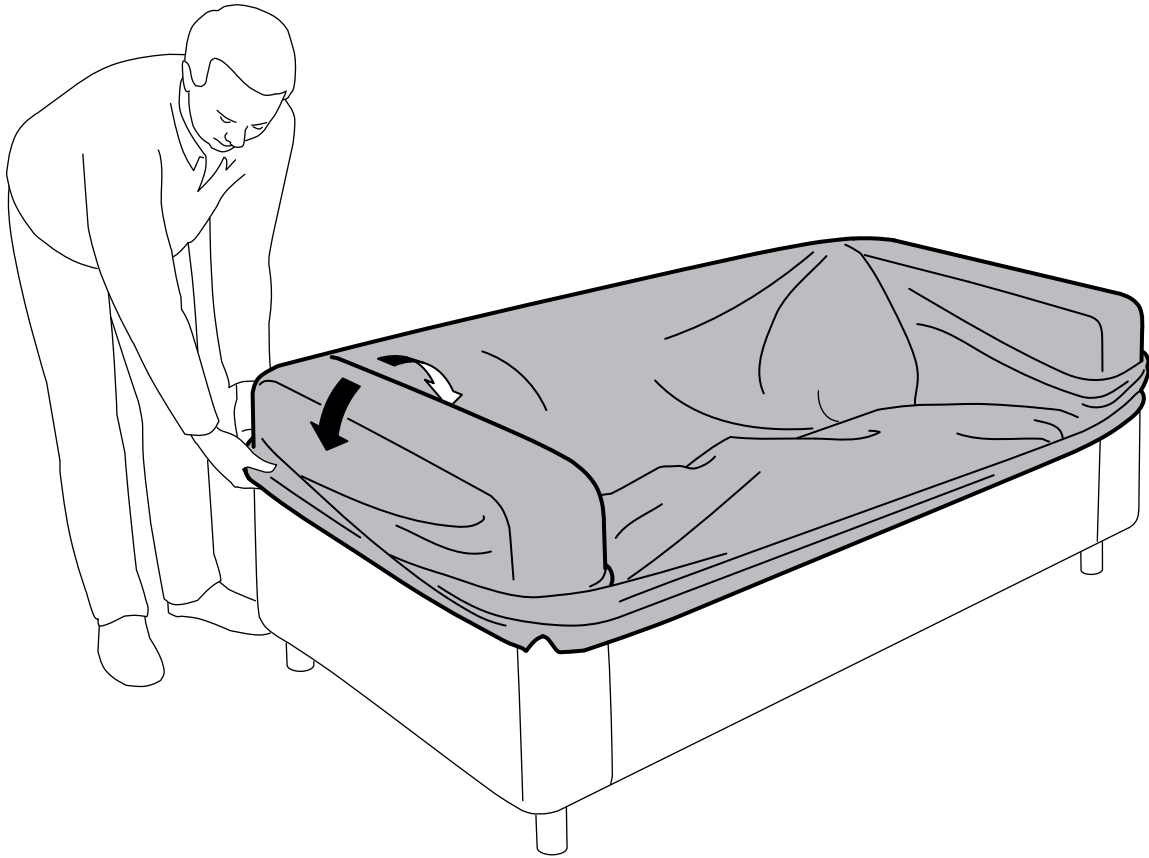
Design and Quality
IKEA of Sweden



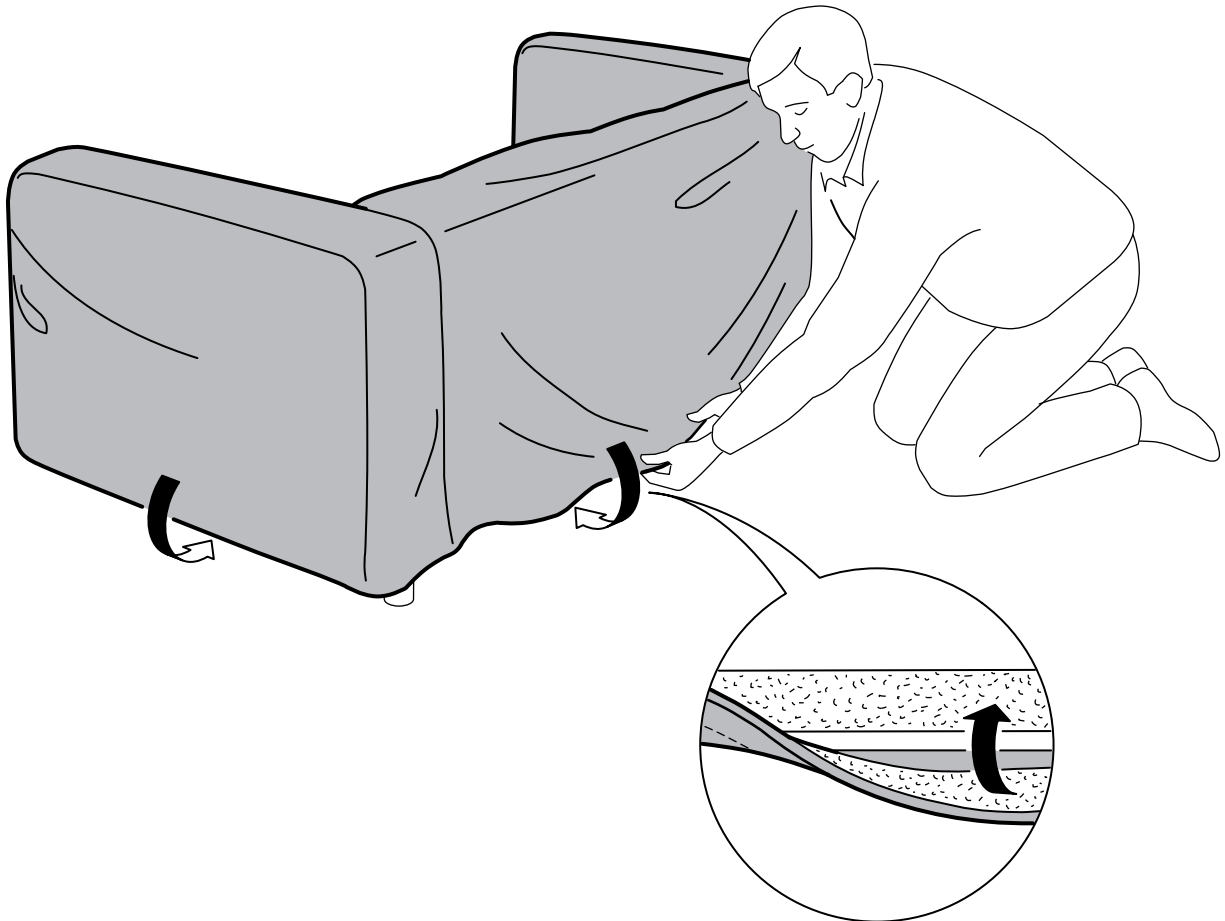
1



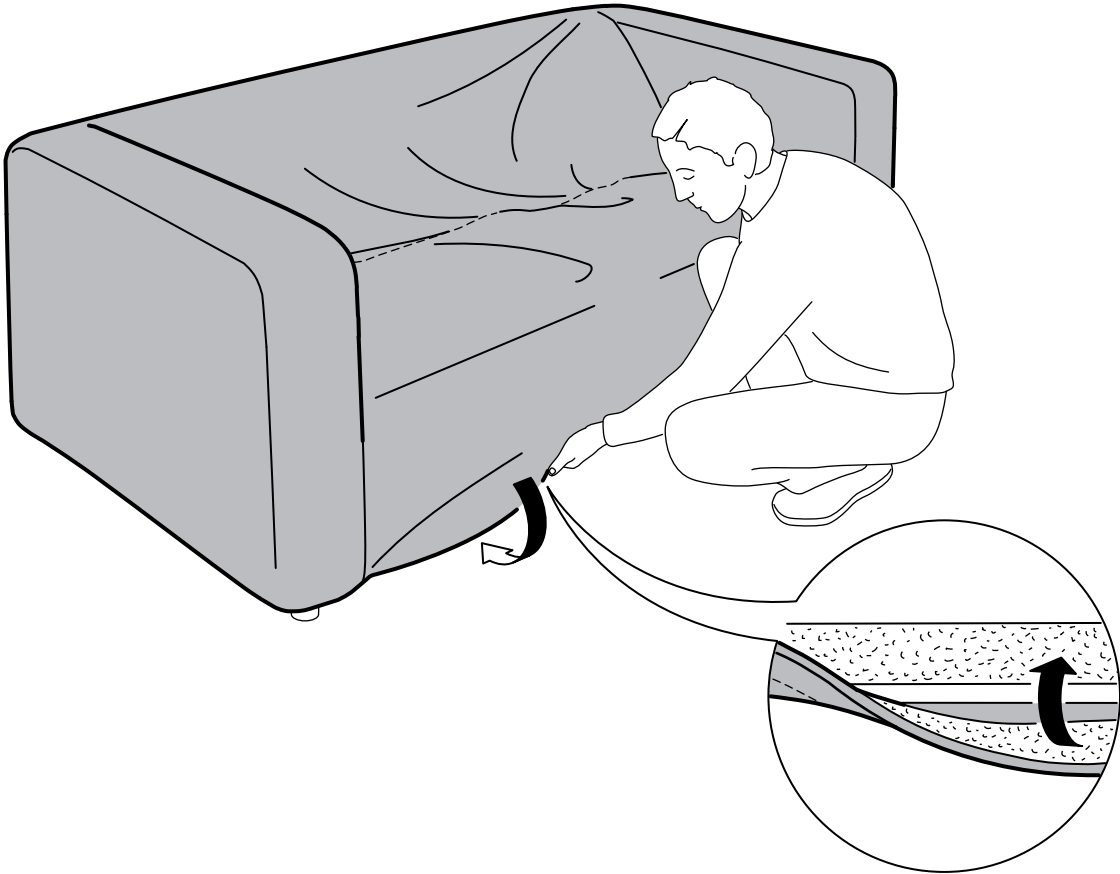
2



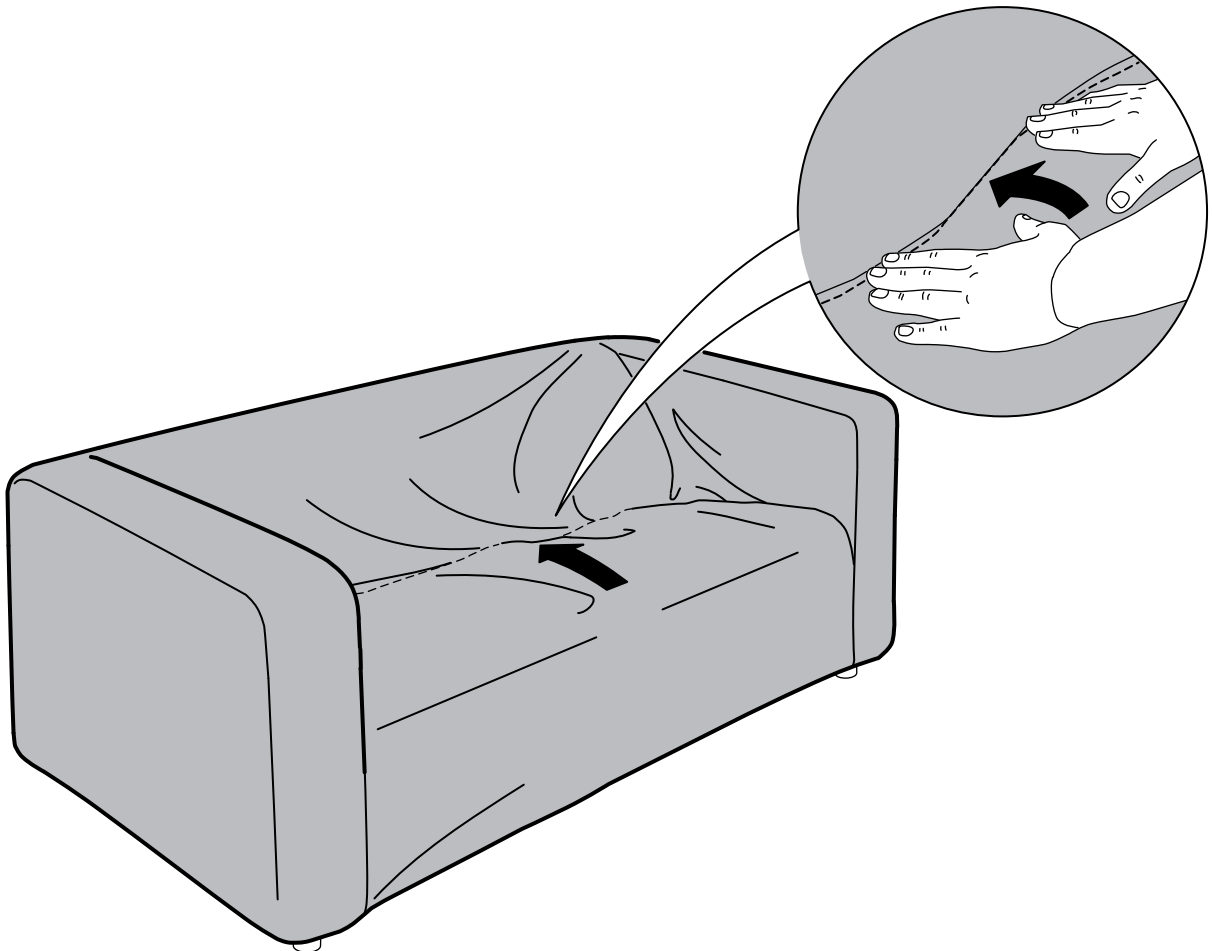
3



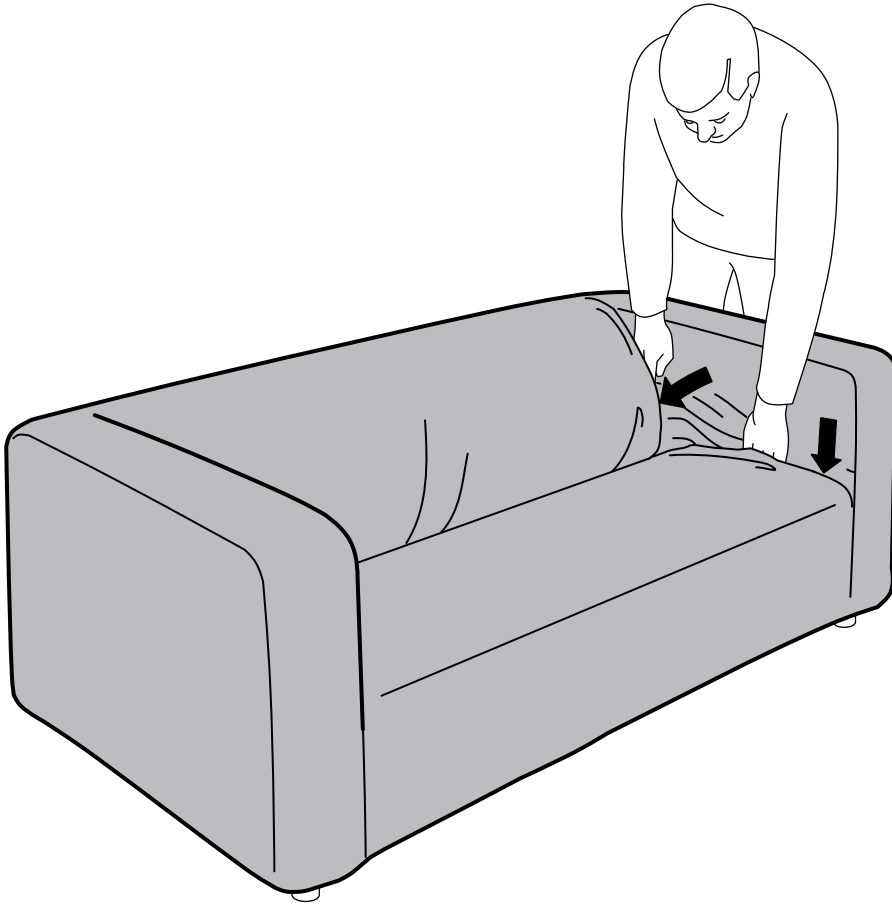
4



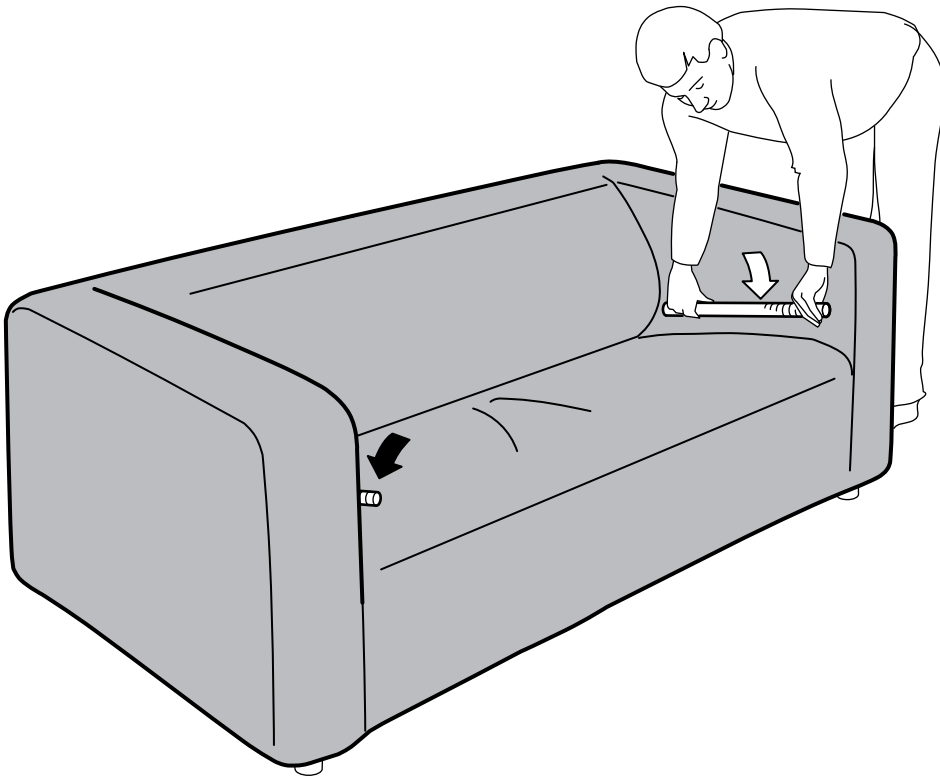
5



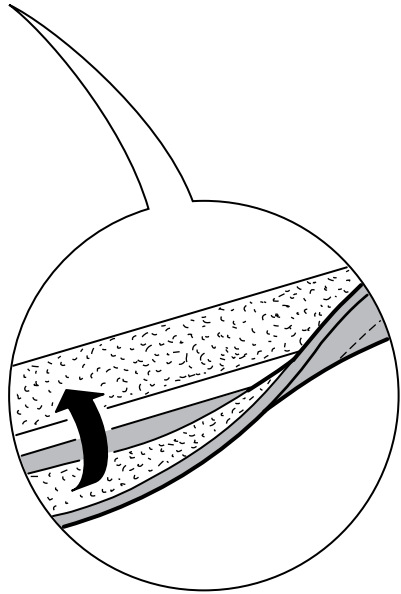
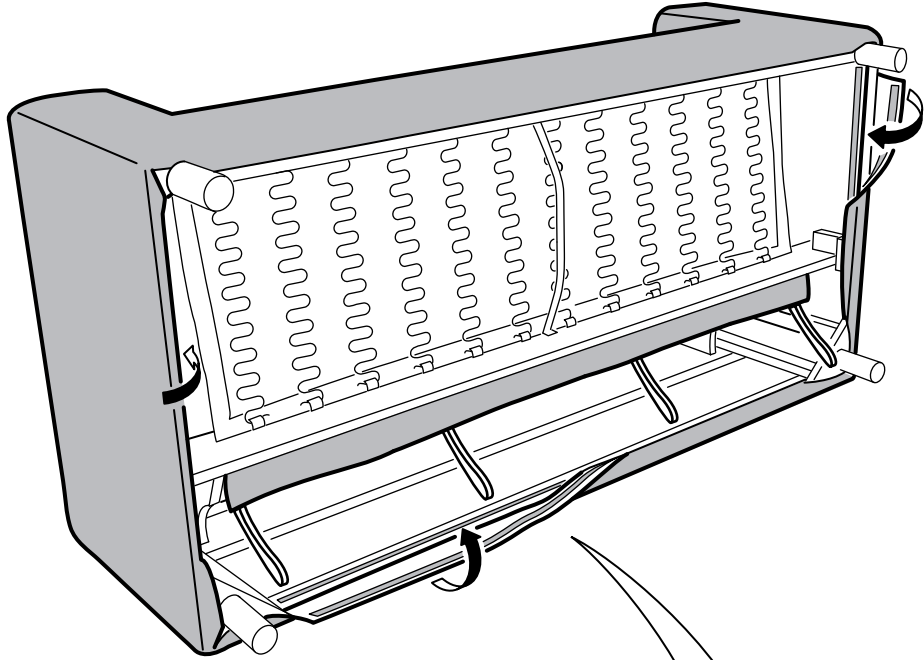
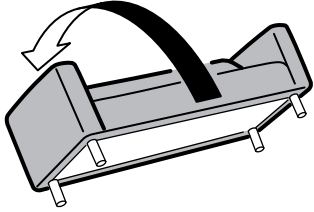
6



7



8



9

