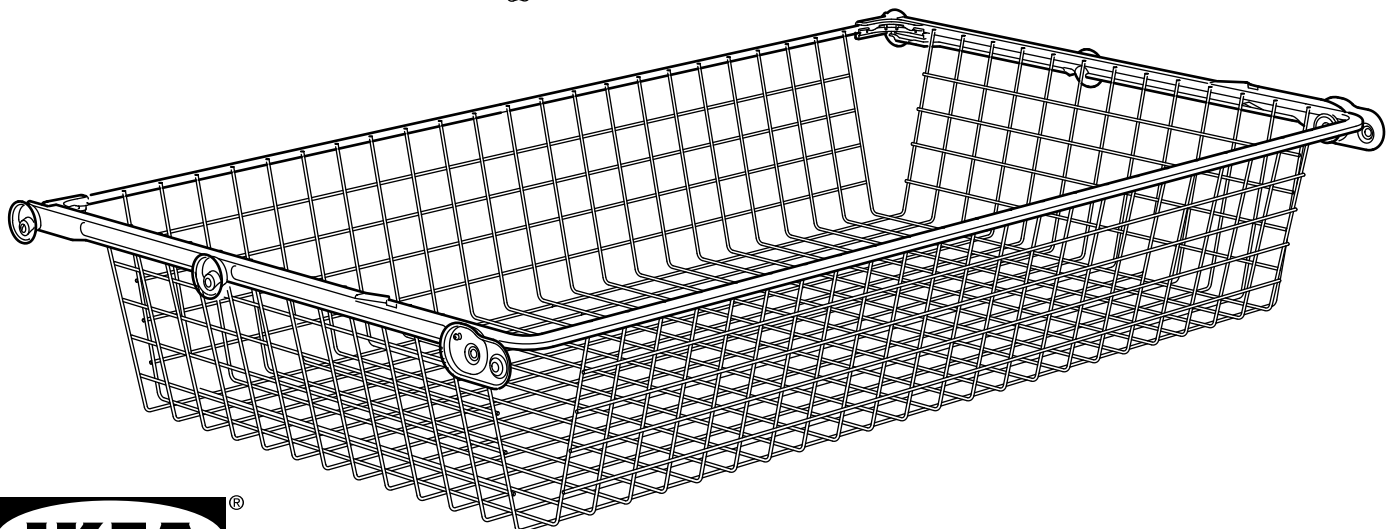
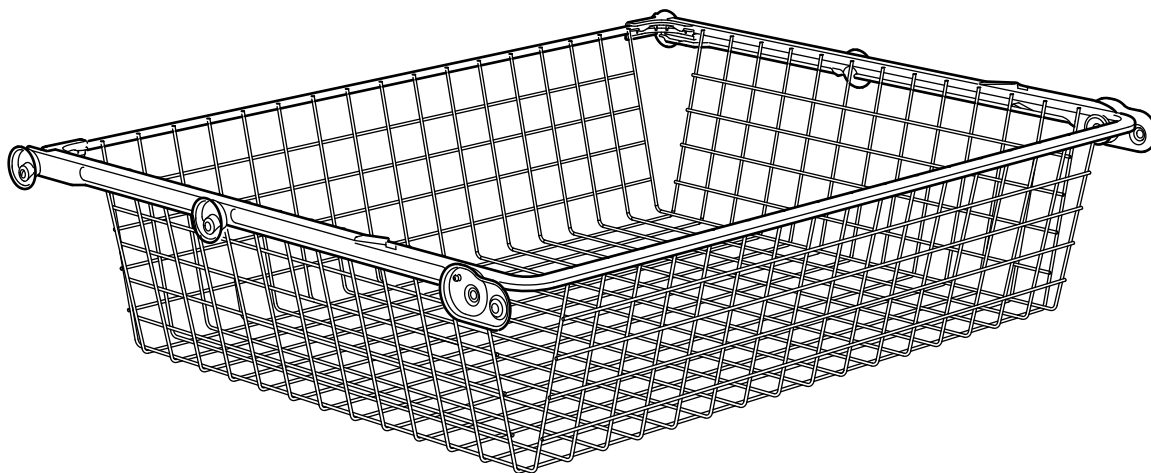
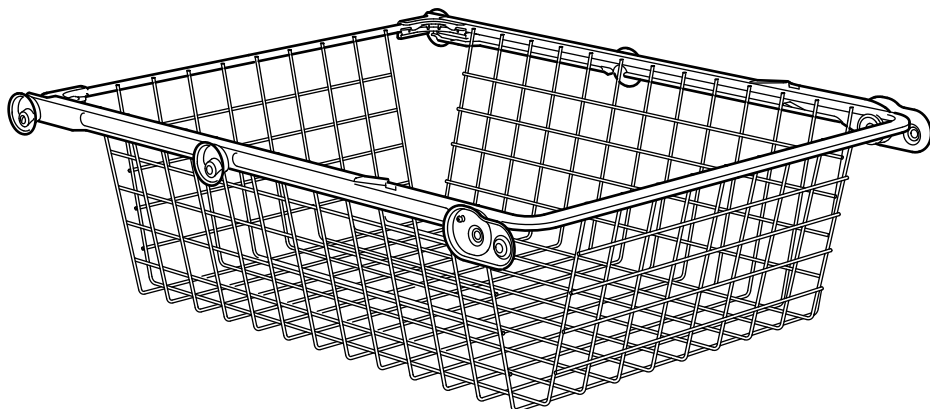
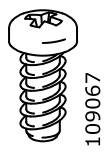
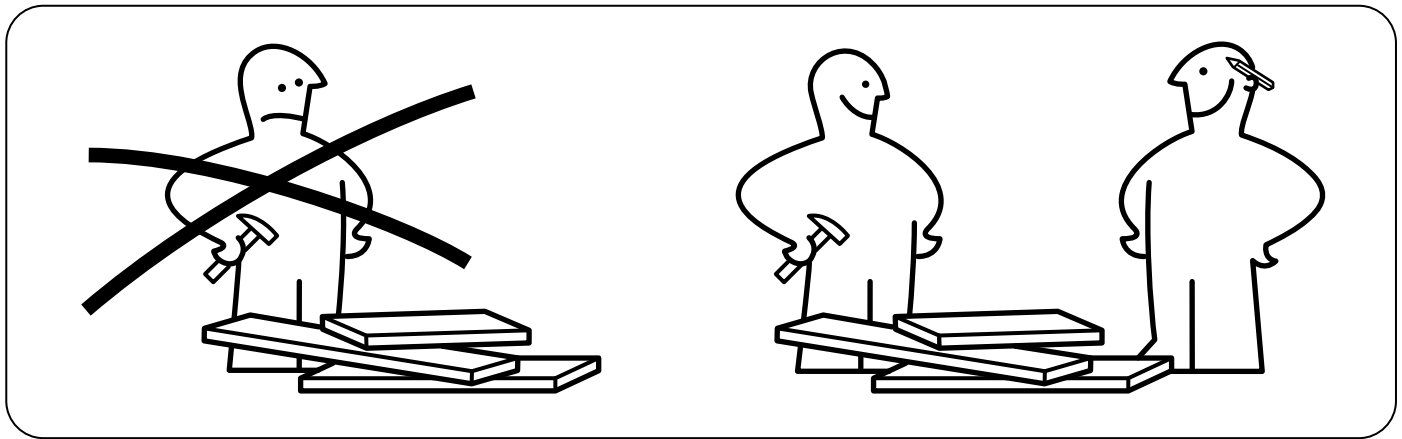
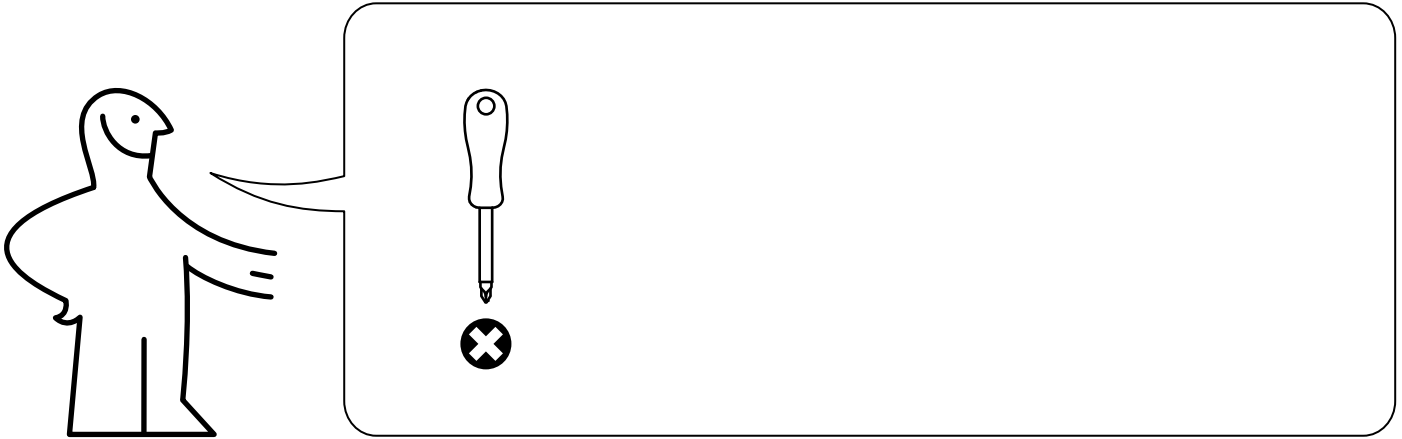


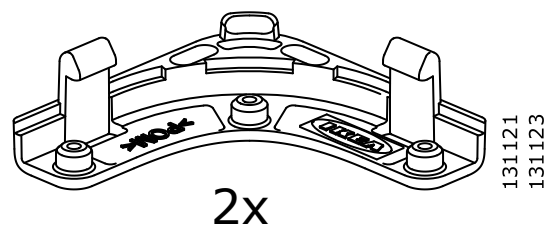
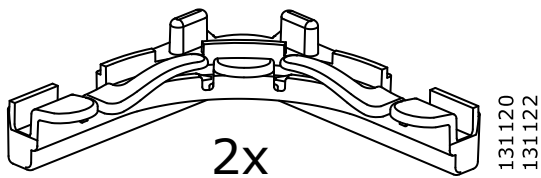
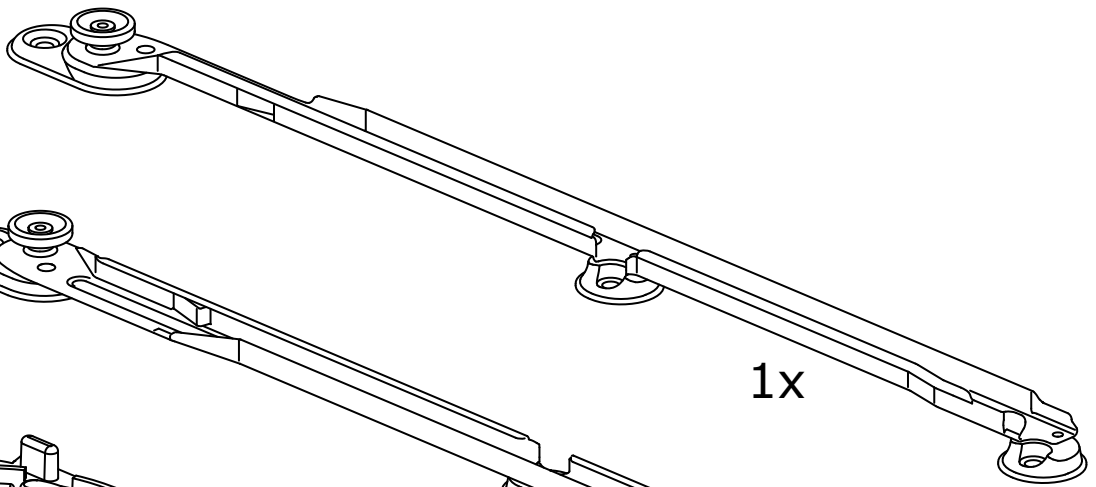
# KOMPLEMENT

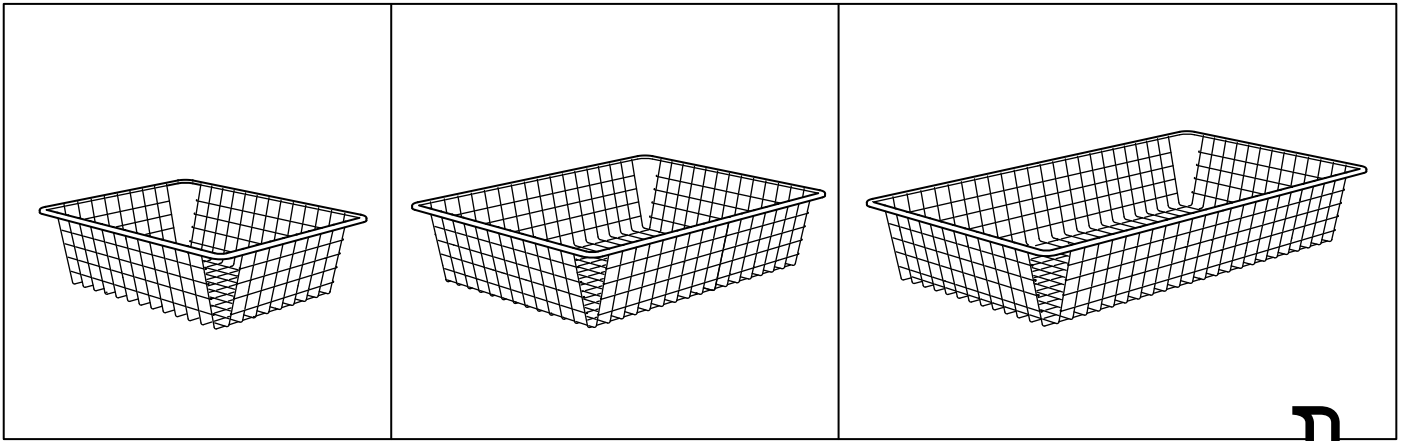


Design and Quality  
IKEA of Sweden

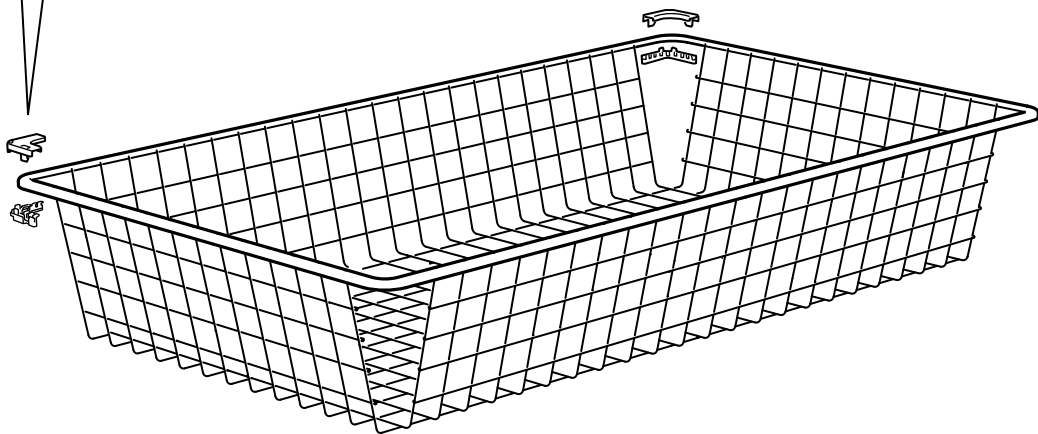
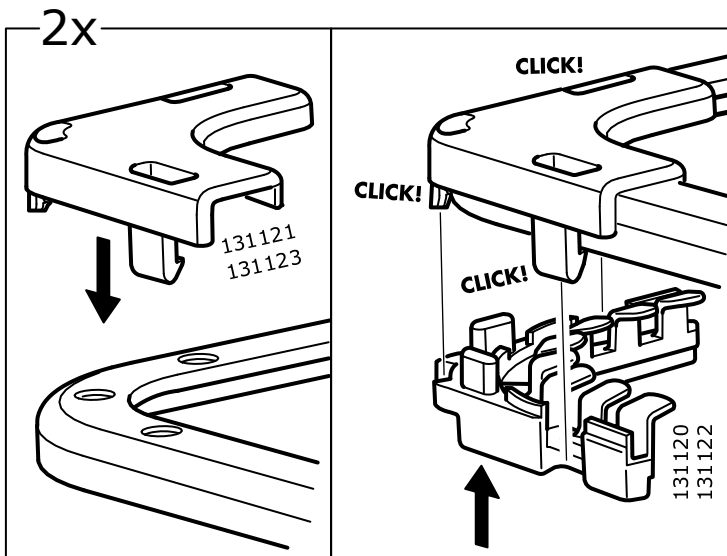


6x

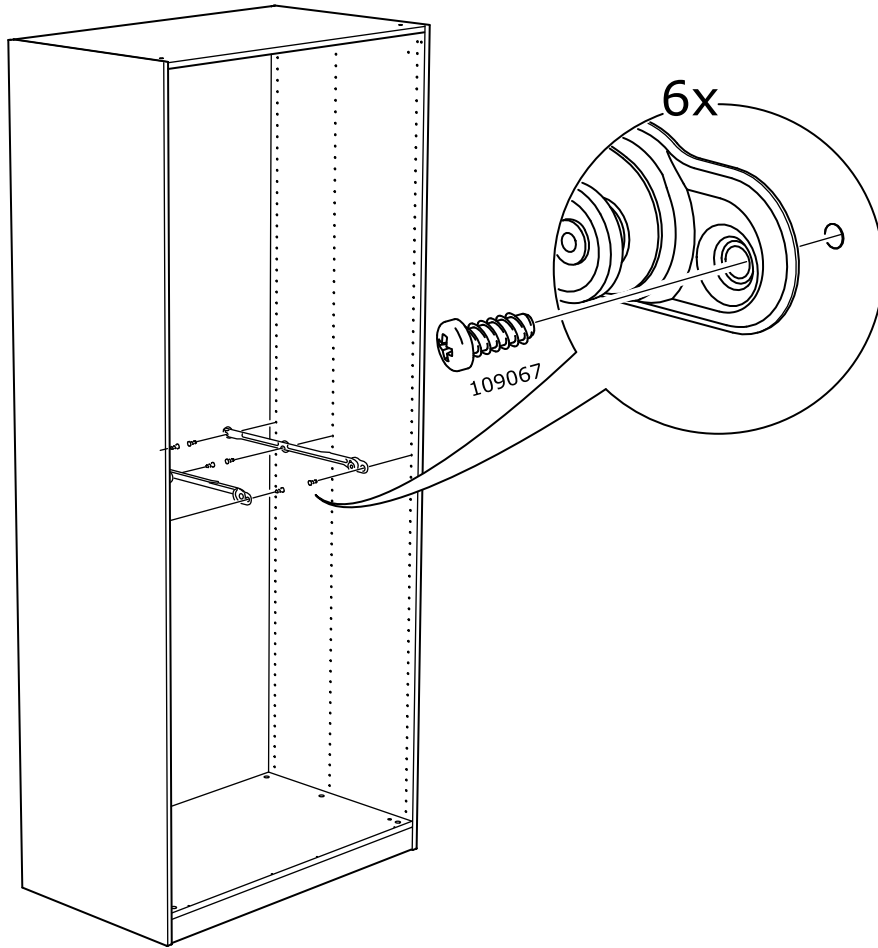




1



**2**



**3**

