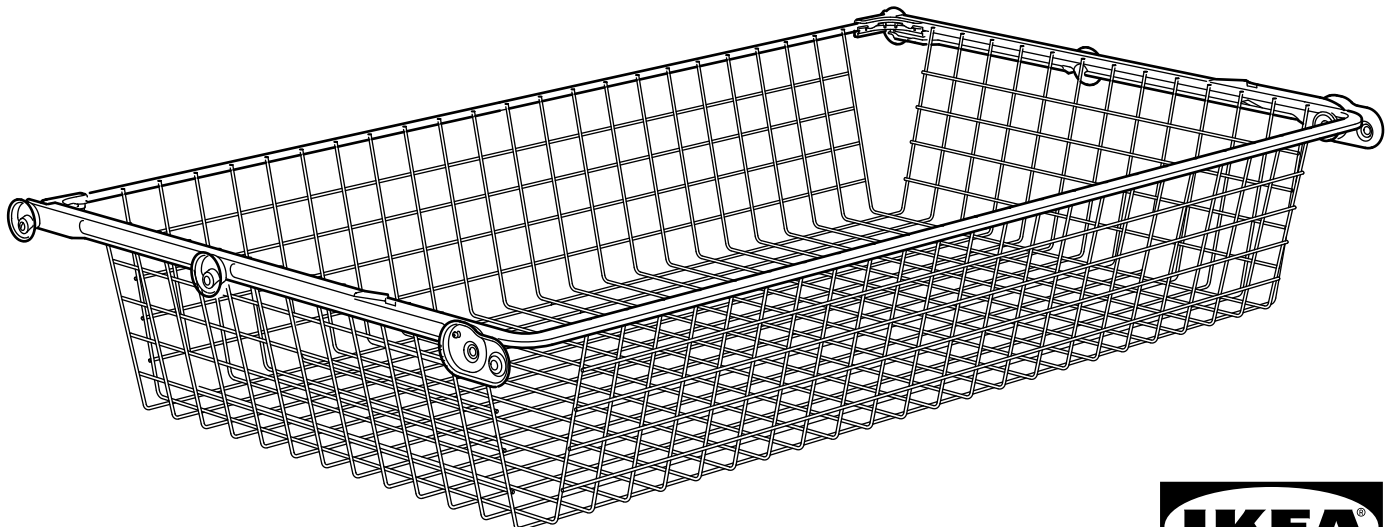
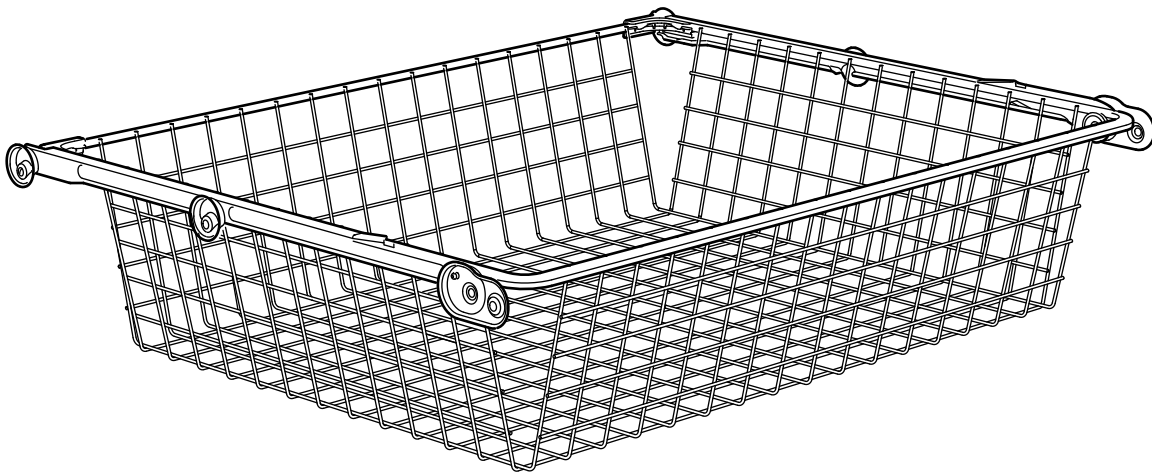
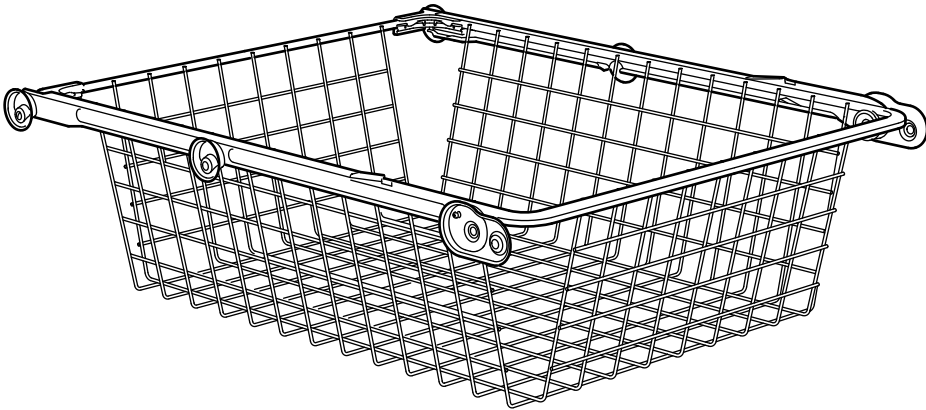
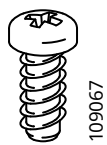
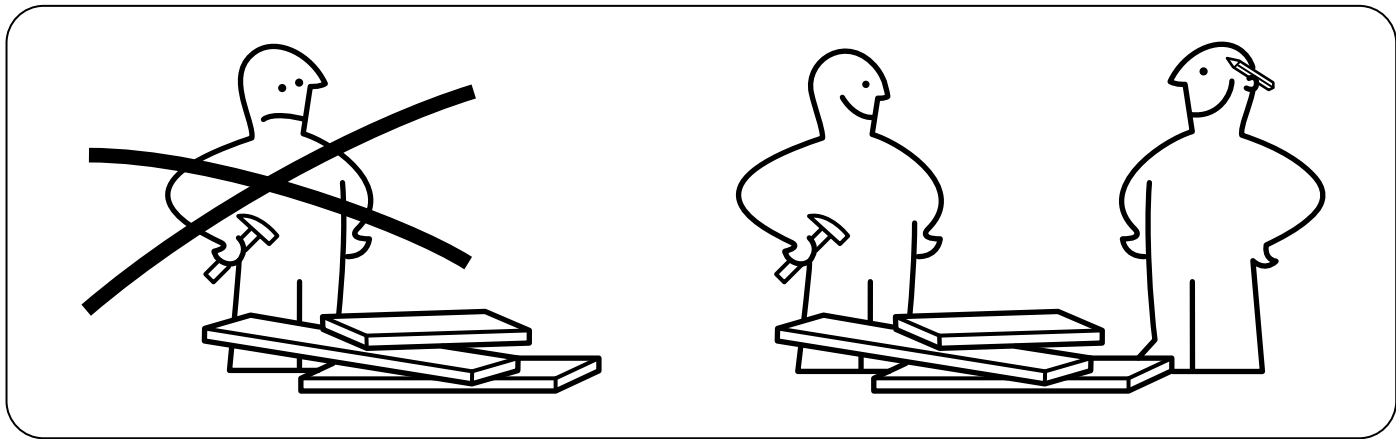
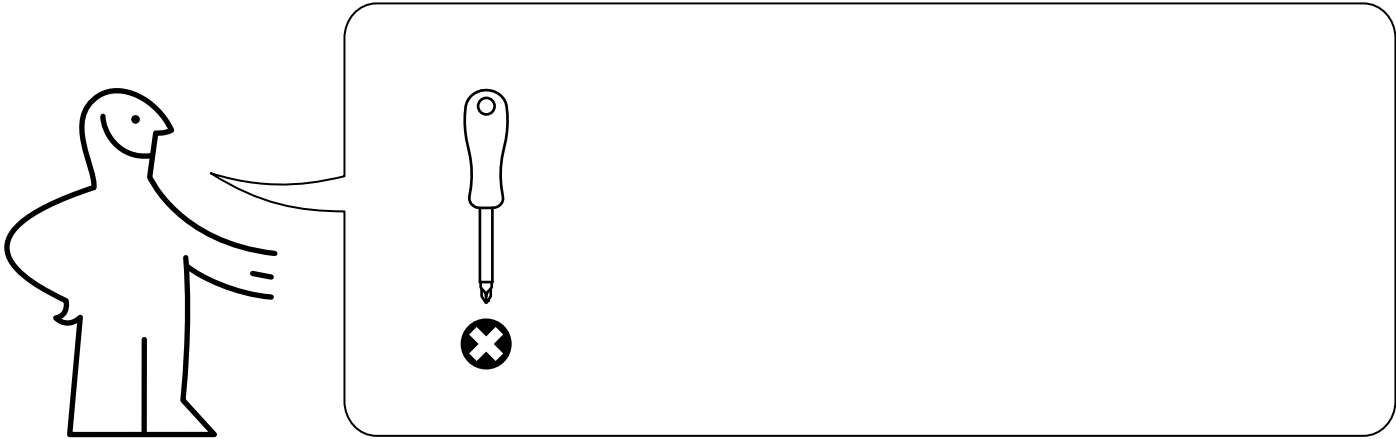


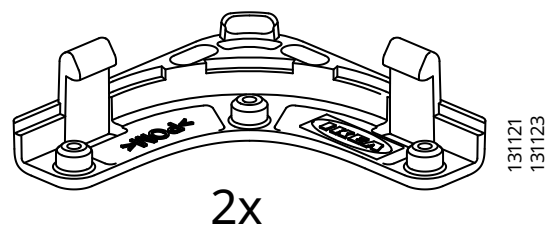
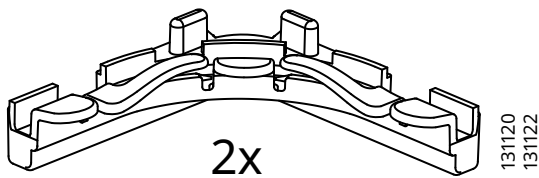
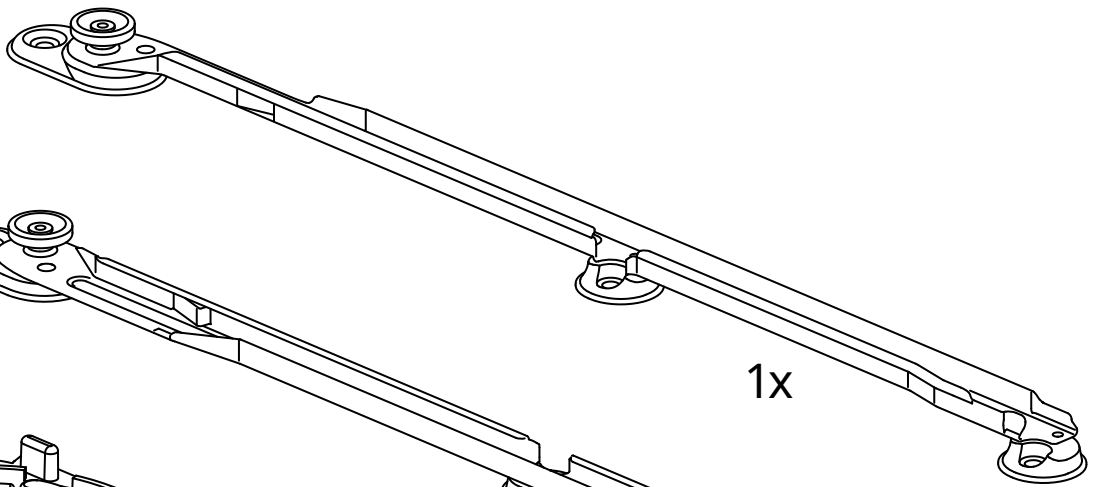
# KOMPLEMENT

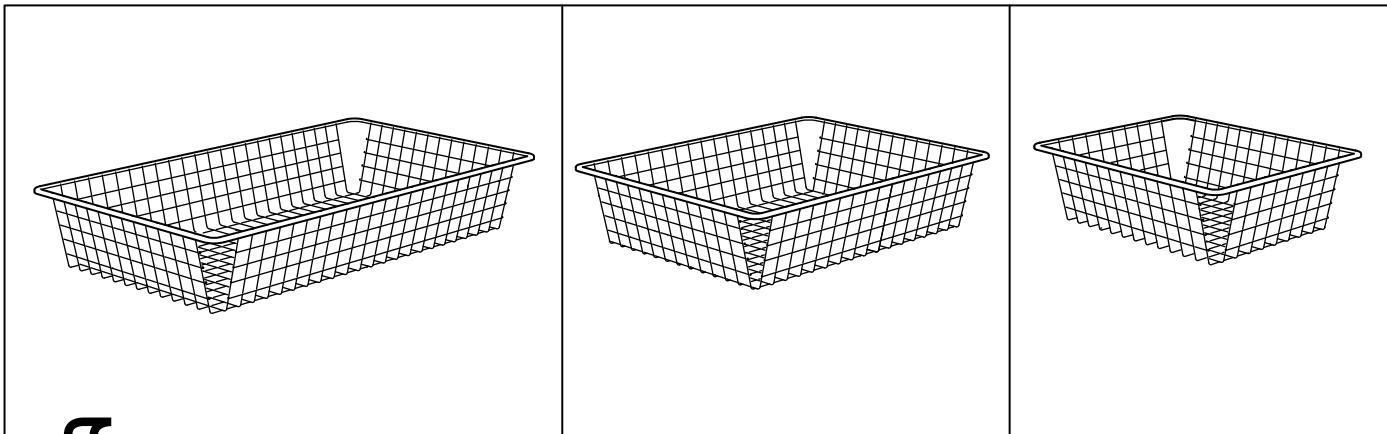


Design and Quality  
IKEA of Sweden

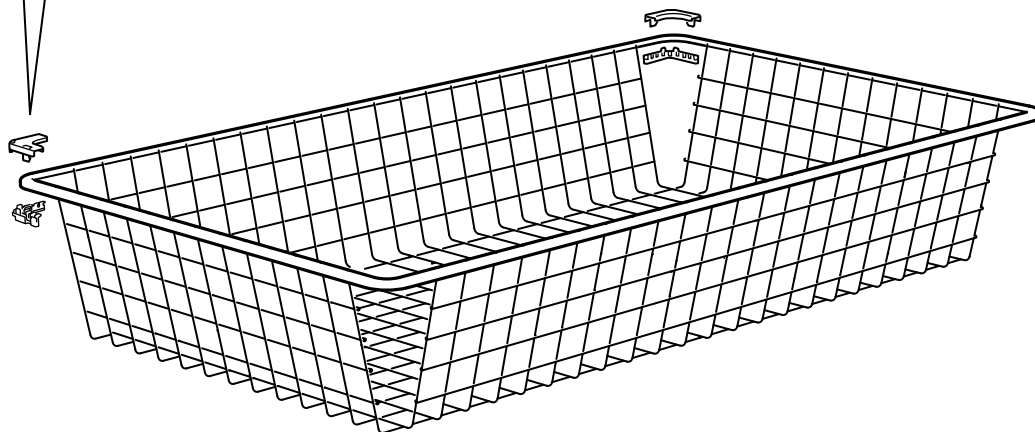
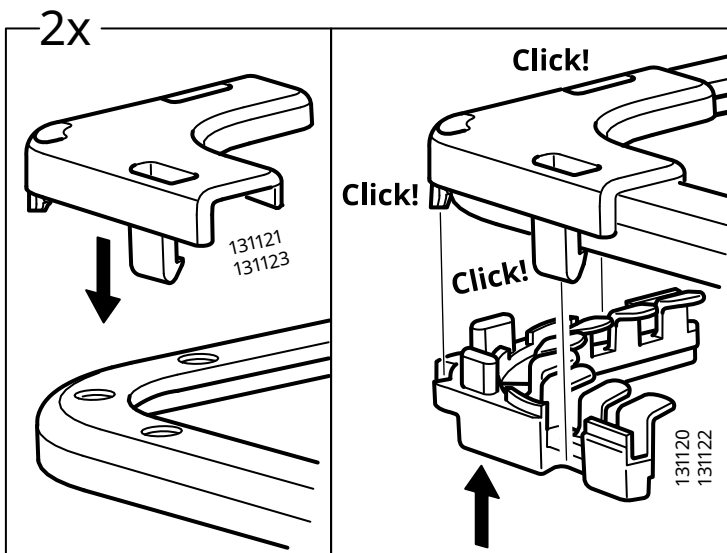


6x

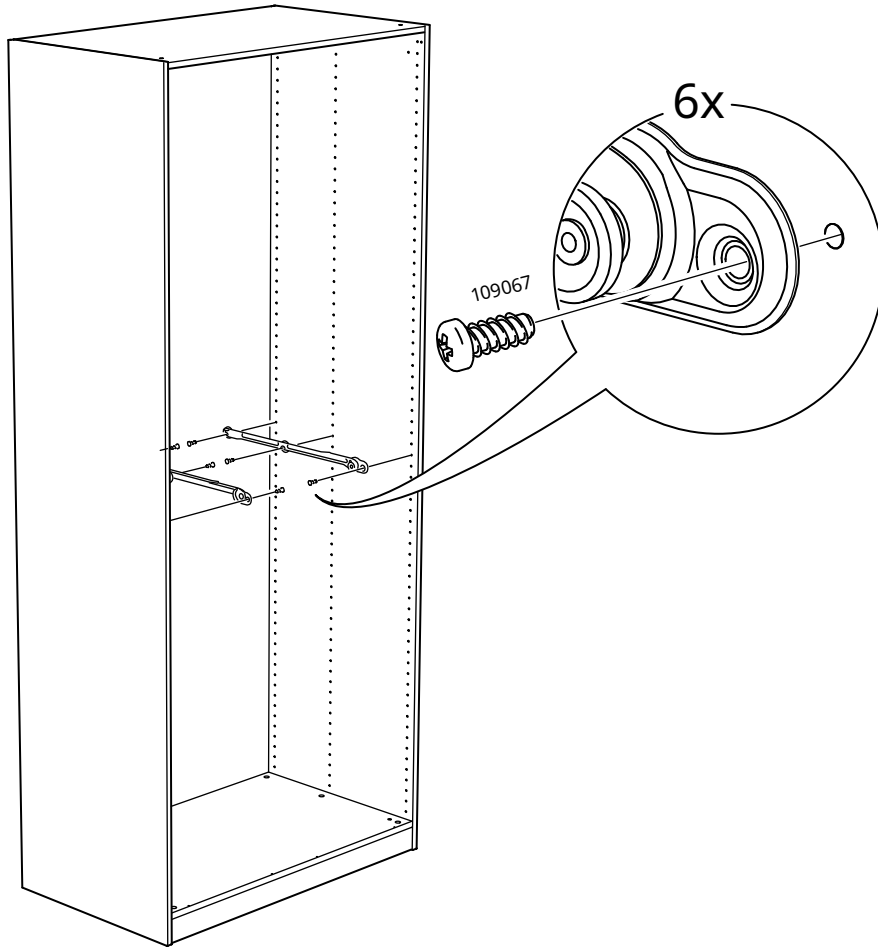




1



2



3

