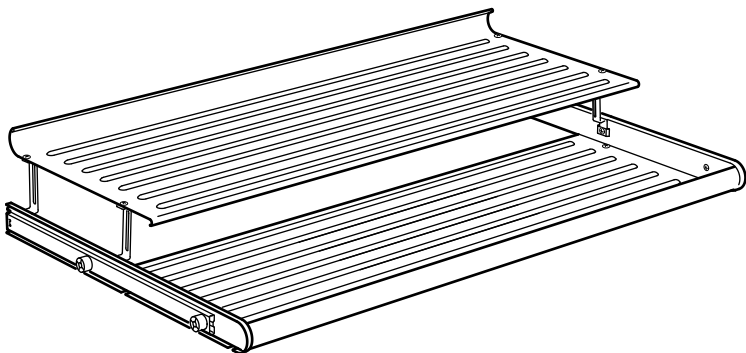
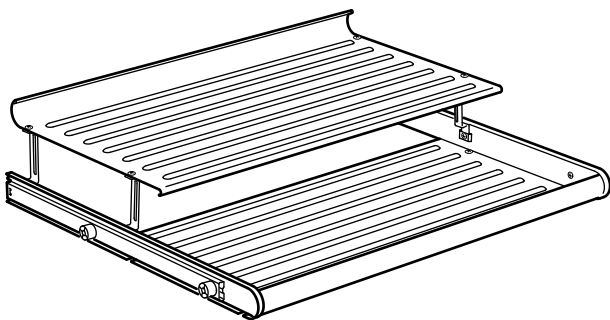
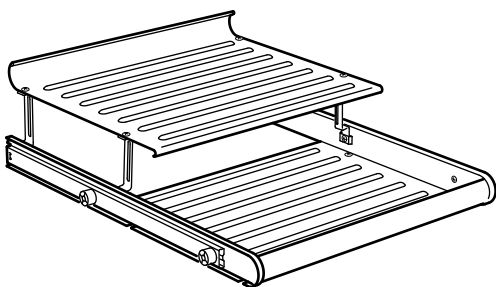
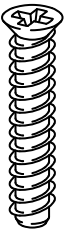
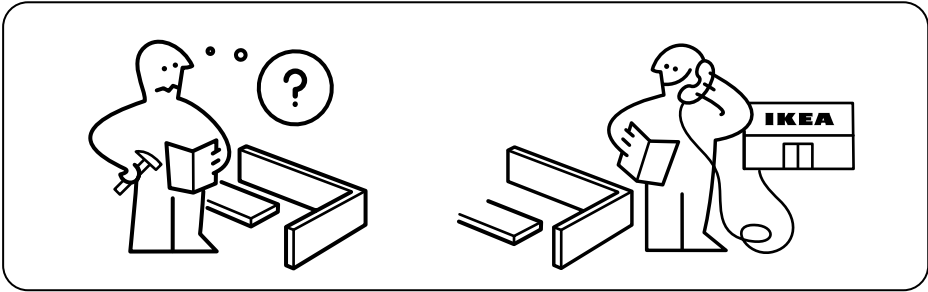
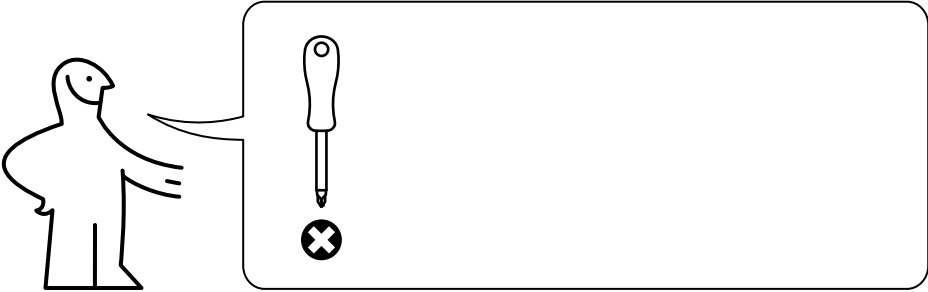


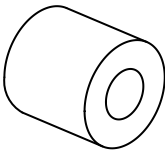
# KOMPLEMENT



Design and Quality  
IKEA of Sweden



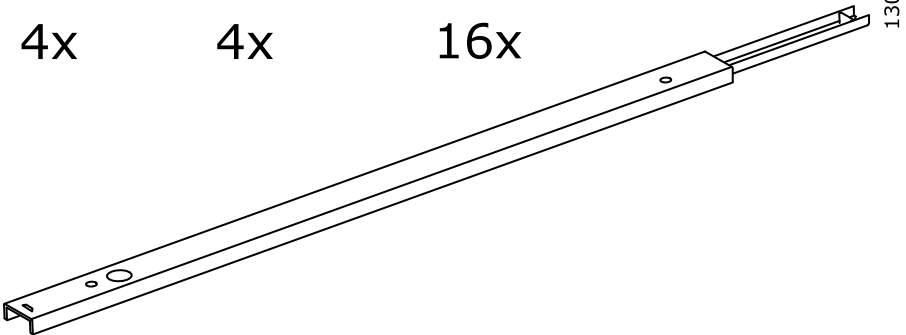
4x



4x

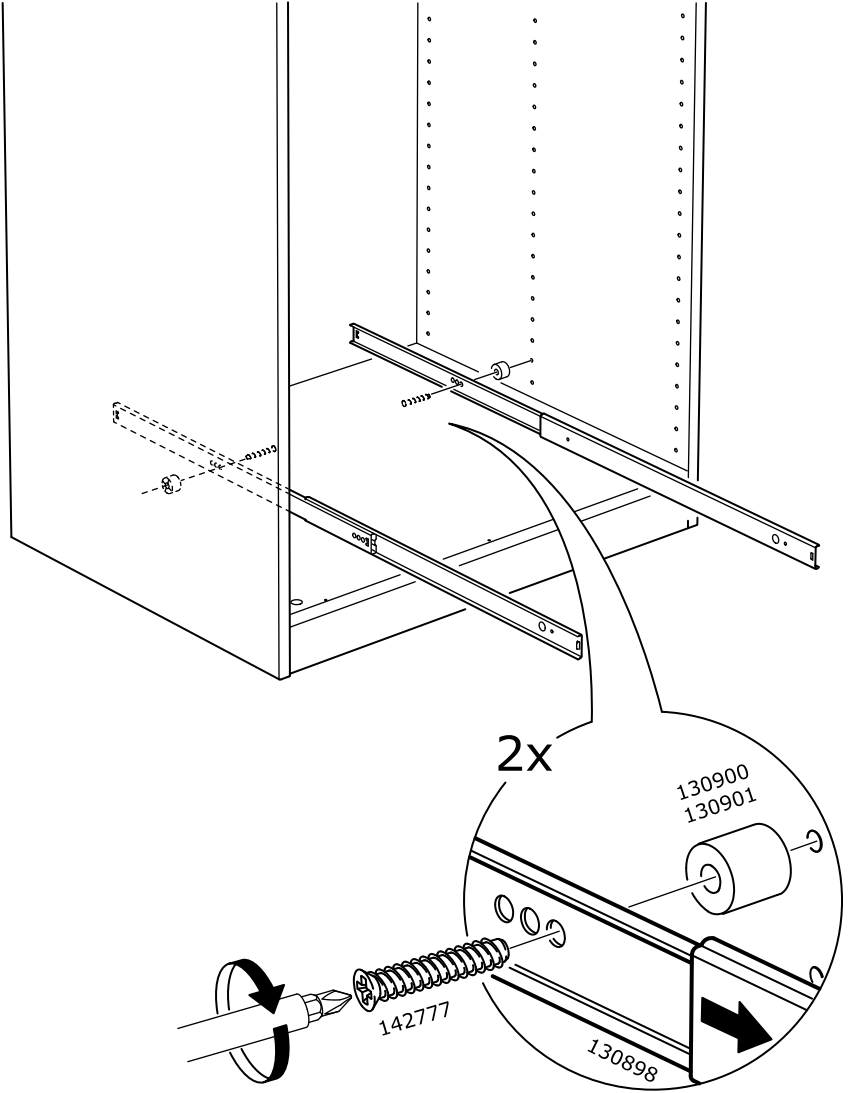


16x

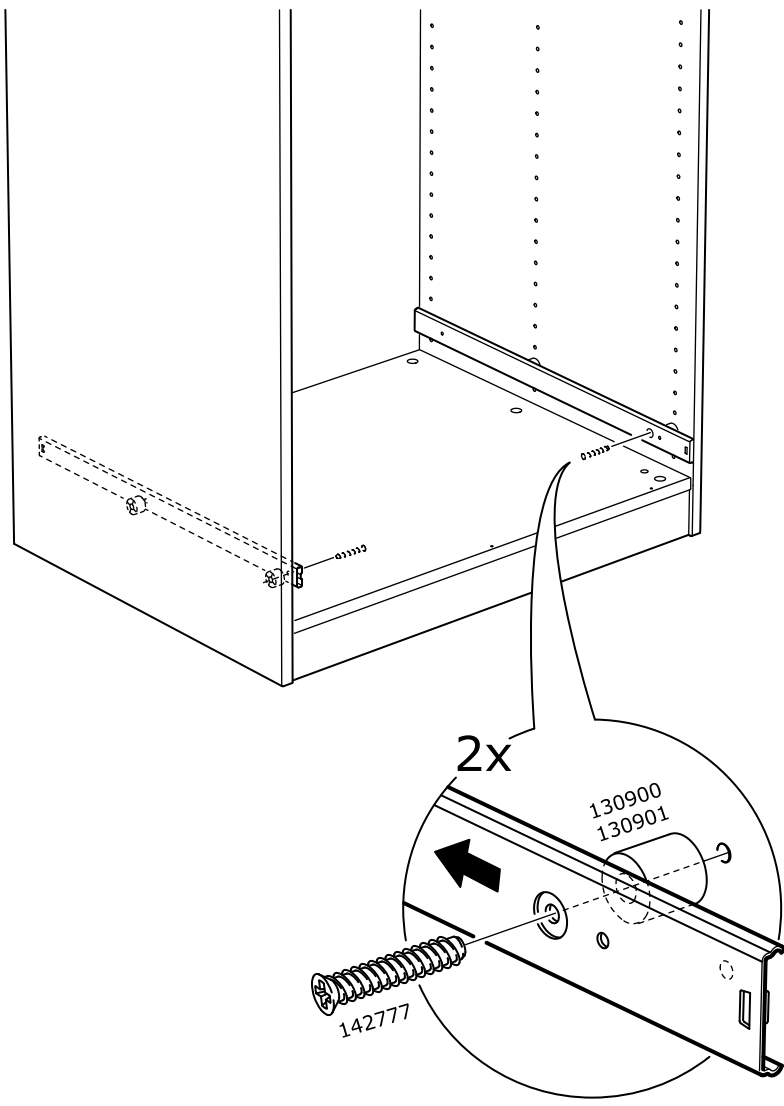


2x

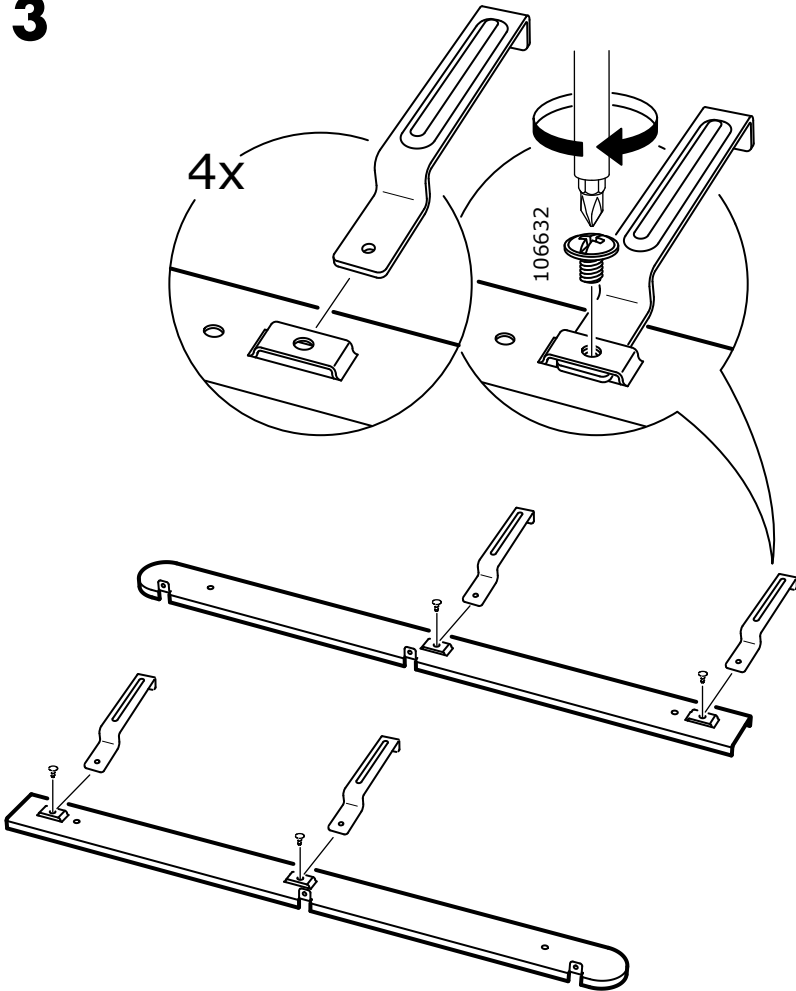
1



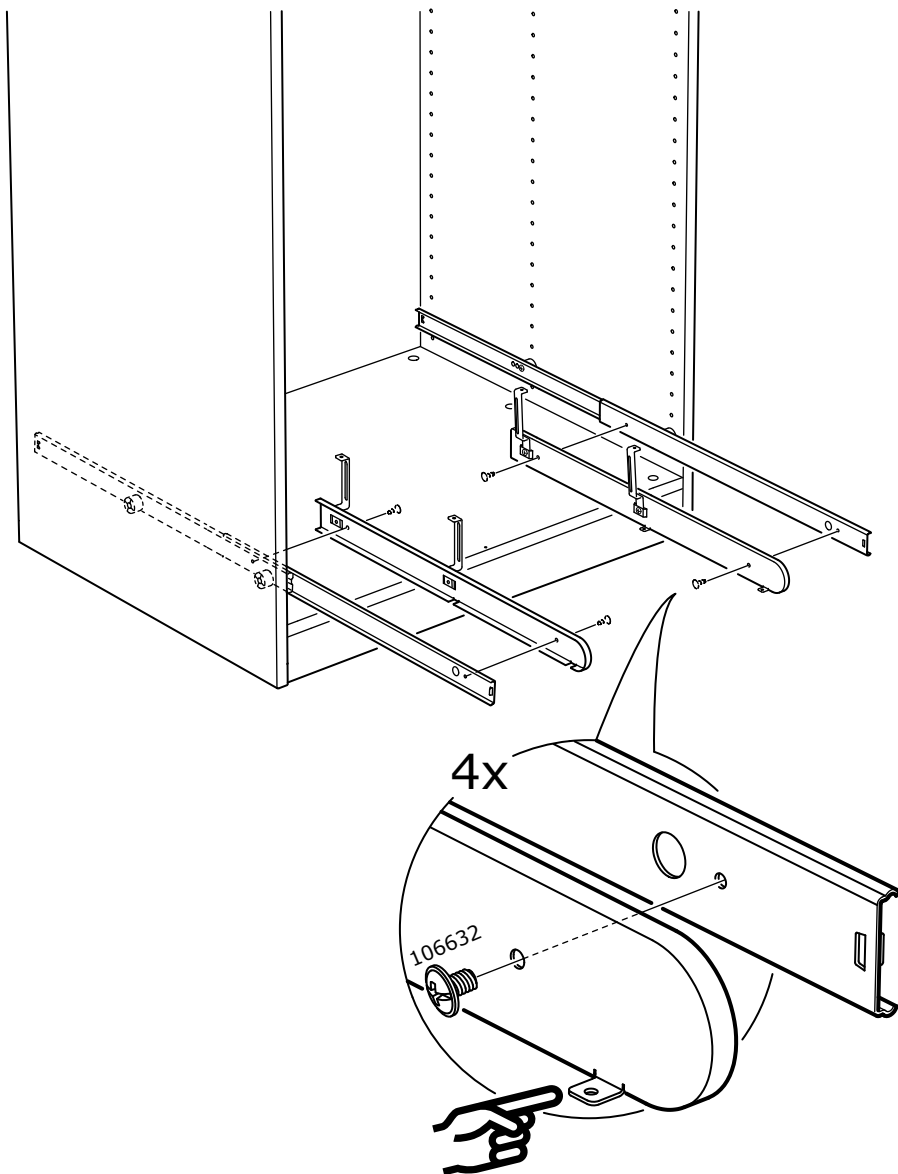
# 2



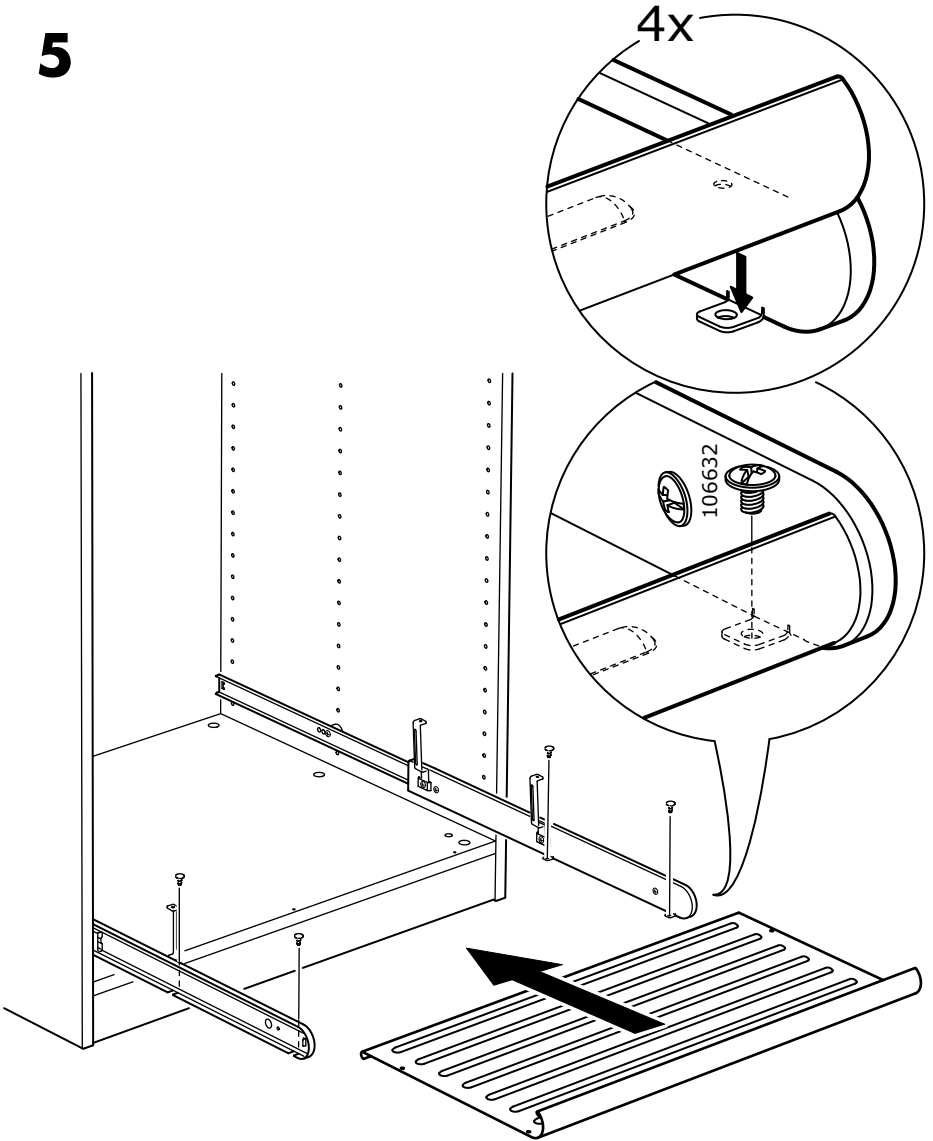
**3**



# 4



**5**



# 6

