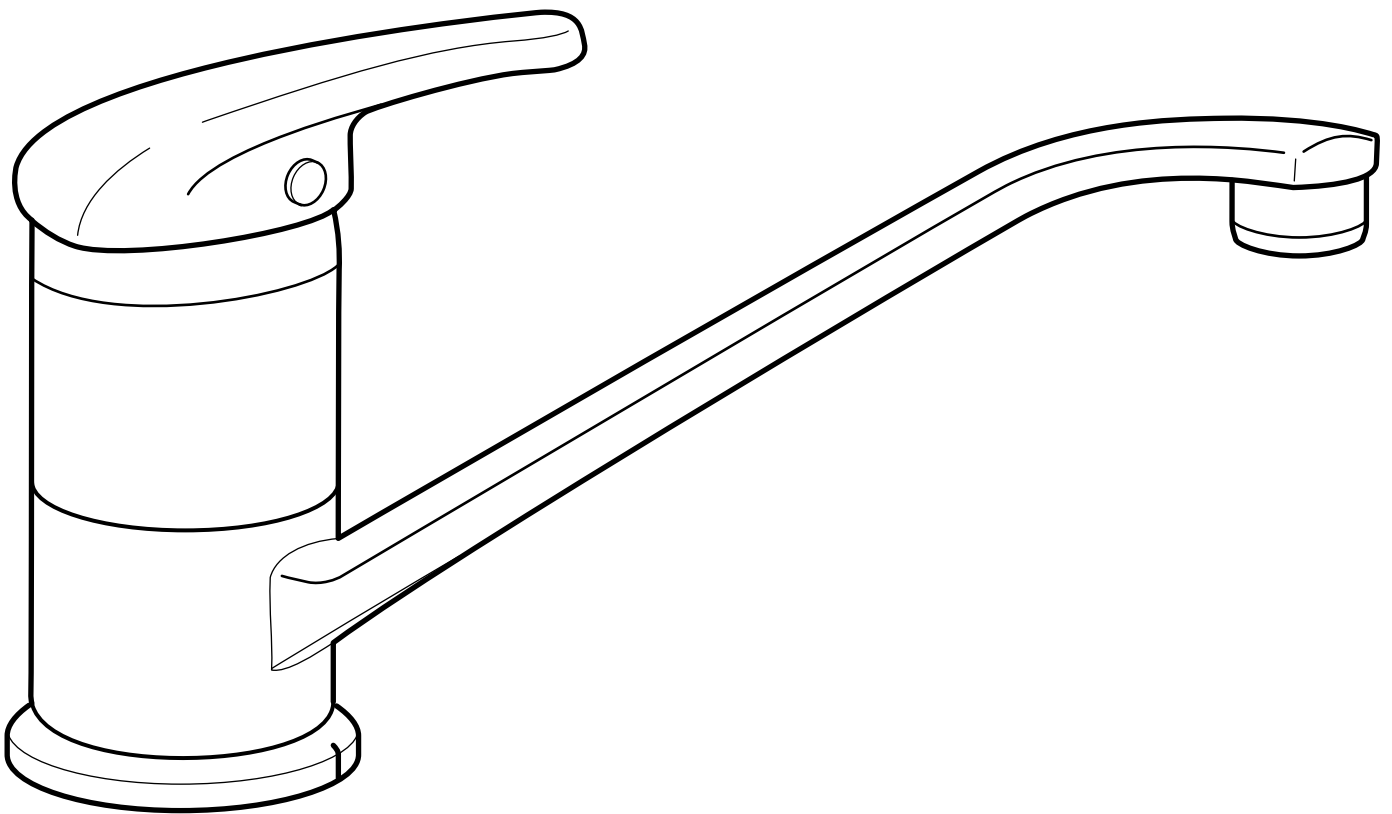


LAGAN



Design and Quality
IKEA of Sweden



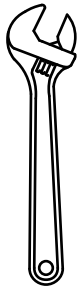
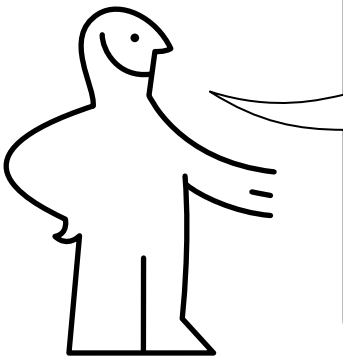
English

Installation must be performed in compliance with current local construction and plumbing regulations. If in doubt, contact a professional.

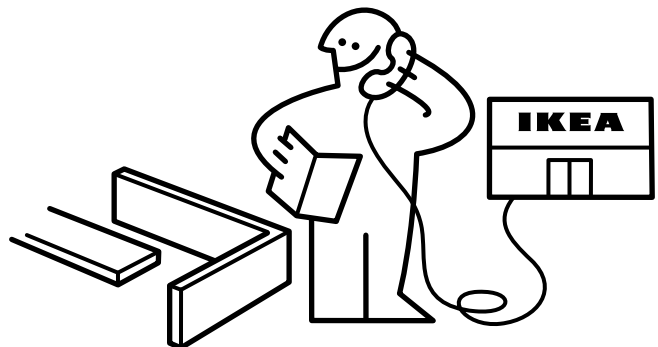
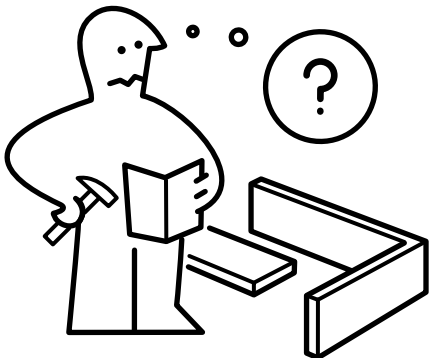


English


Switch off main shut-off valve before changing mixer tap.



2x



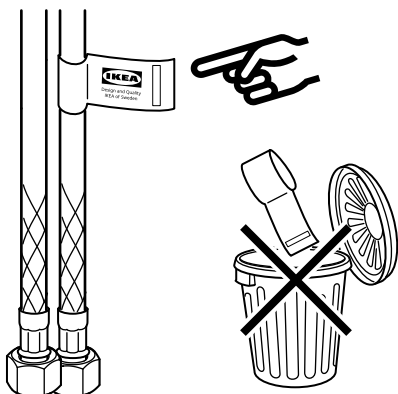
i




Max. 60°C ☺
Max. 80°C

0,2 - 5 bar ☺
0,1 - 10 bar


i



G1/2"

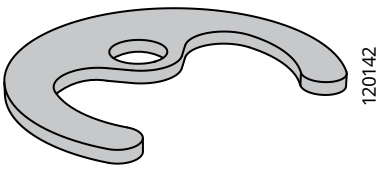


i

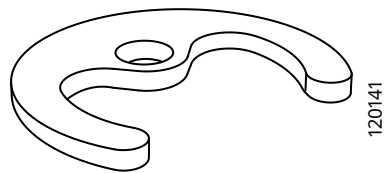


Max. 60°C ☺
Max. 80°C

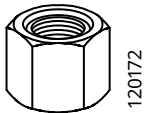
0,5 - 5 bar ☺
0,2 - 10 bar



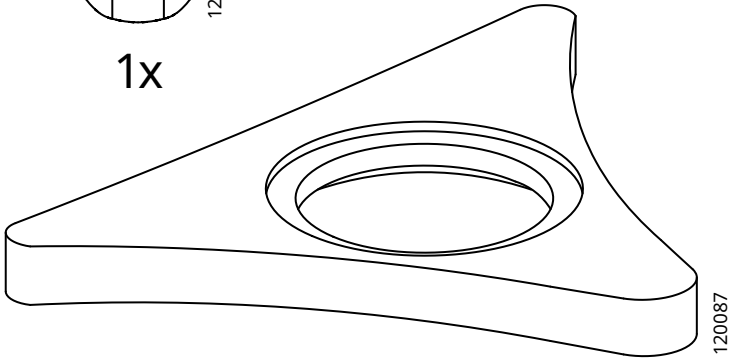
1x



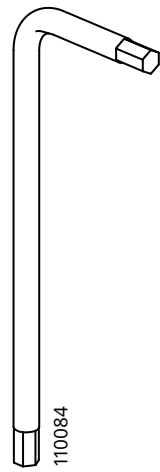
1x



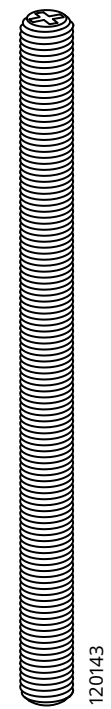
1x



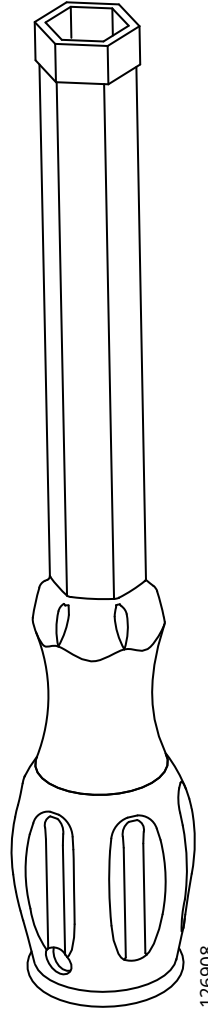
1x



1x

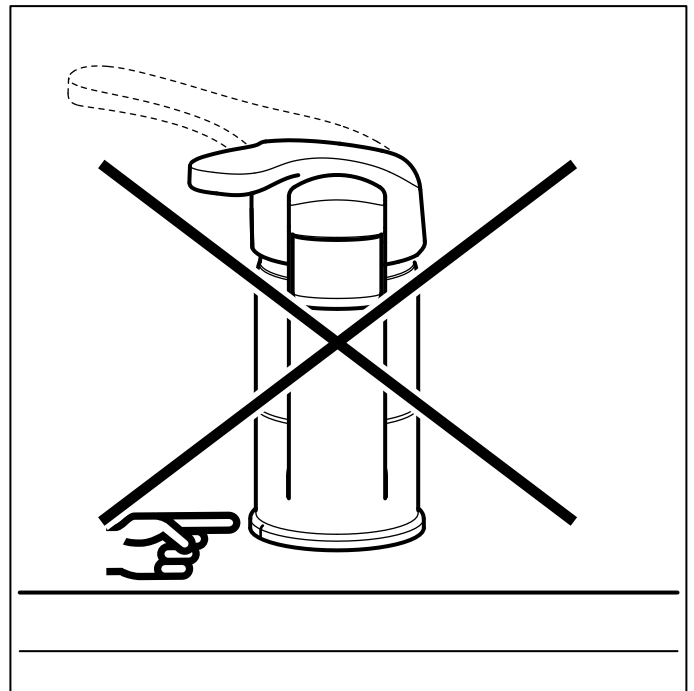
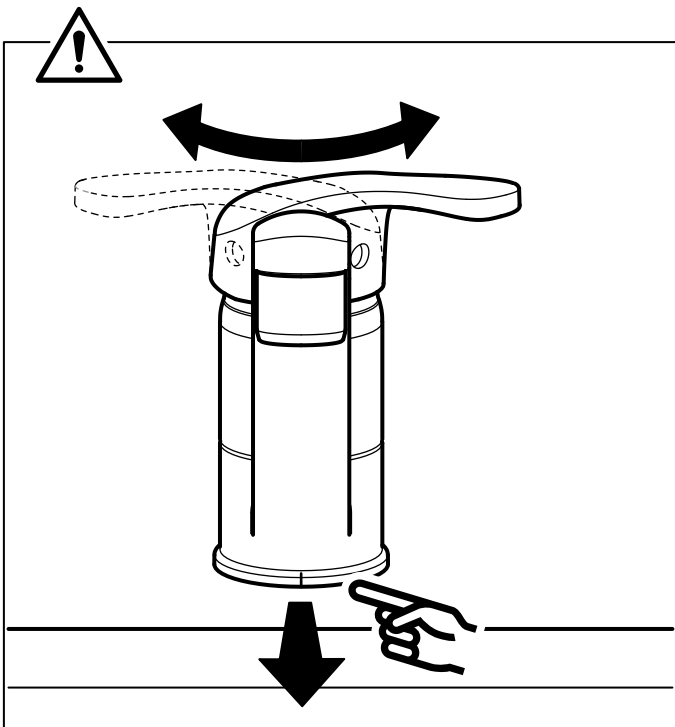
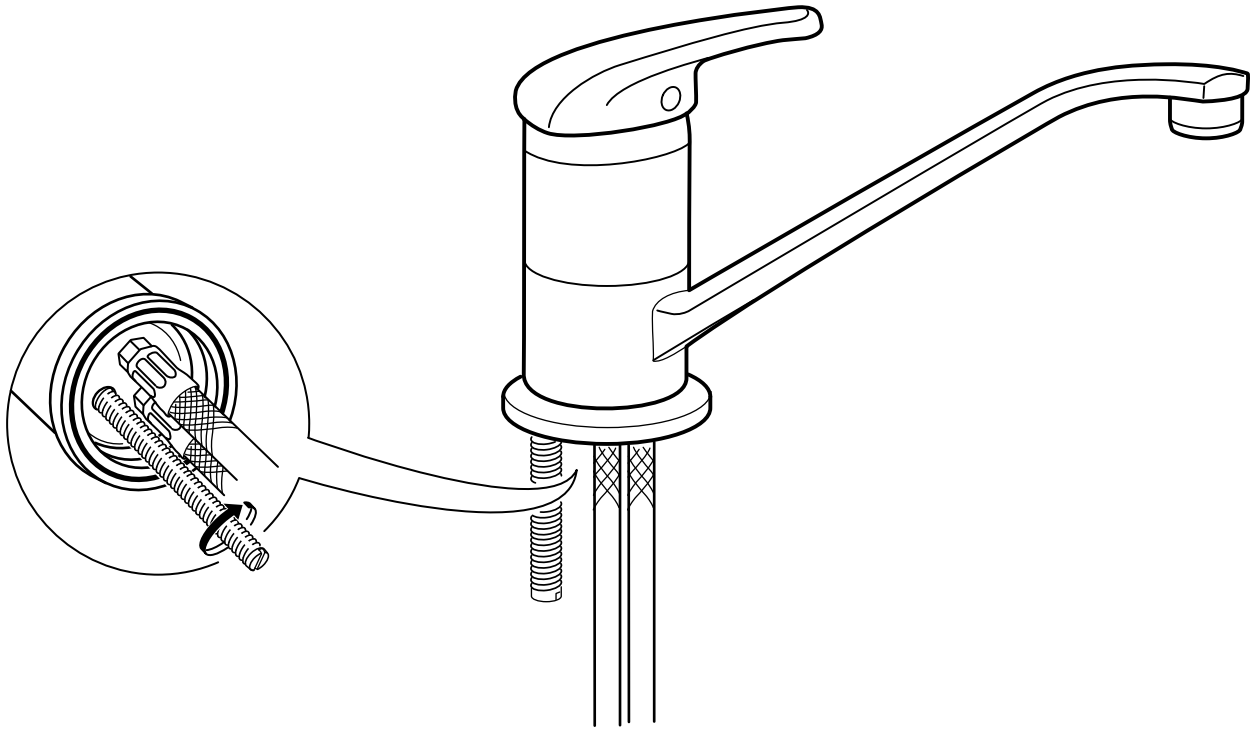


1x



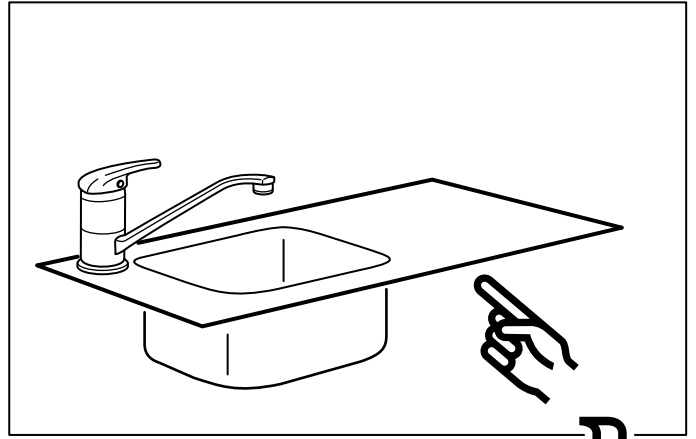
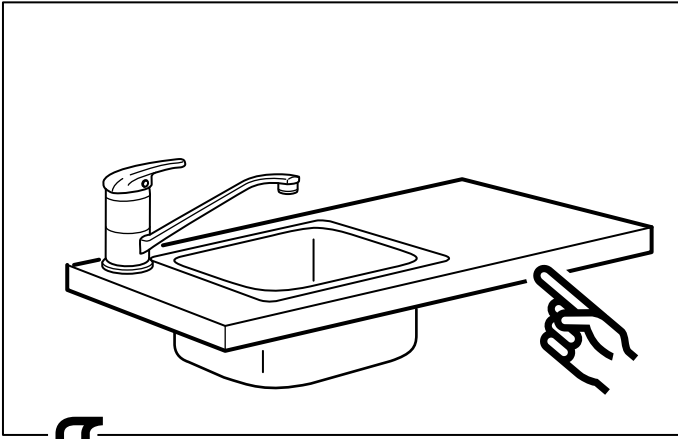
1x

1

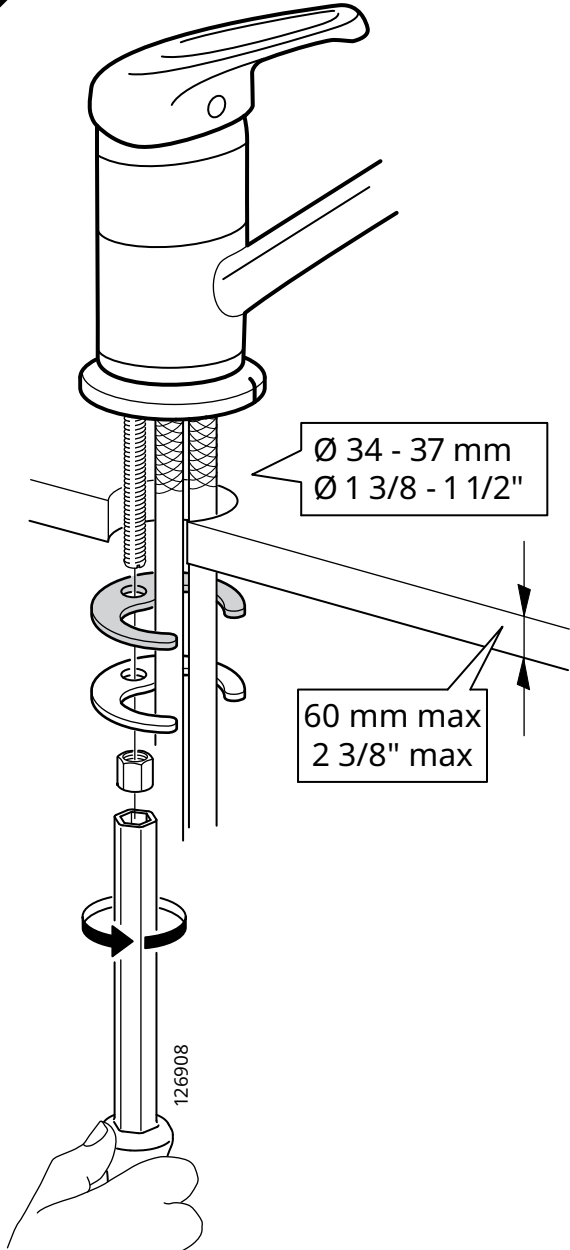


English

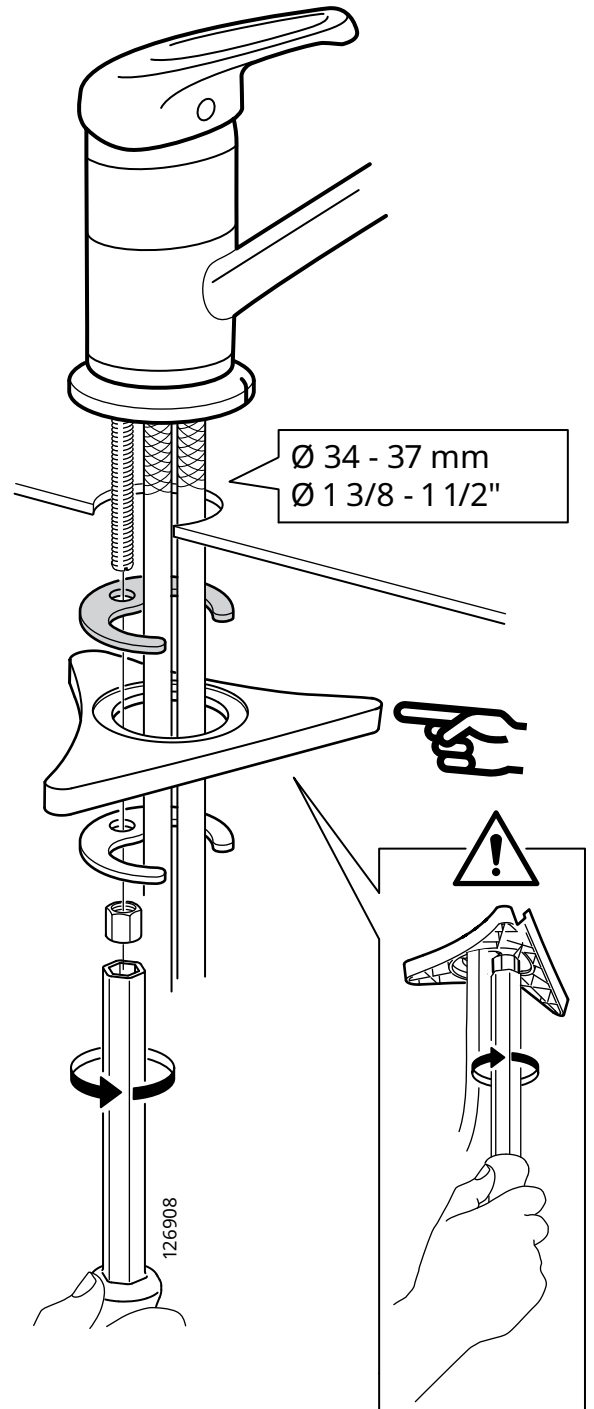
Seal the open surfaces with silicone to prevent water from penetrating the worktop upon any leaks. Silicone is not included.



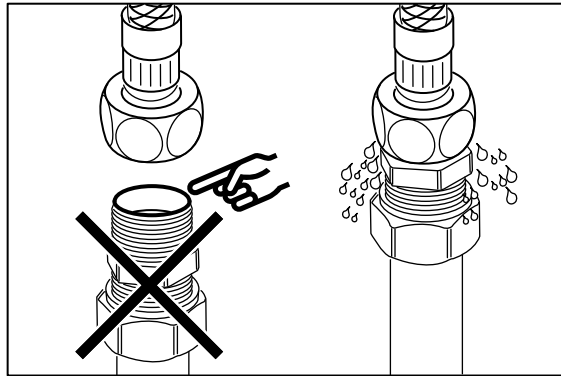
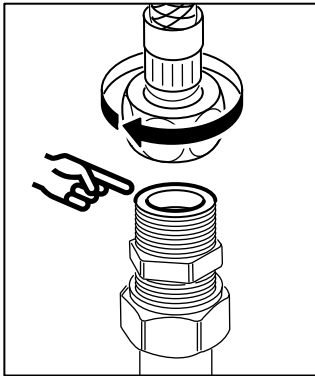
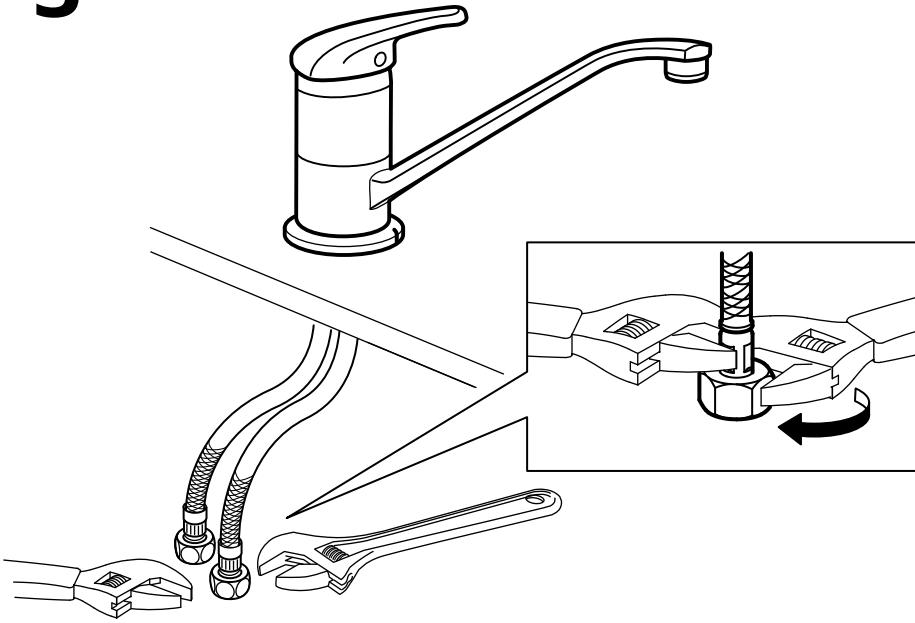
2



2

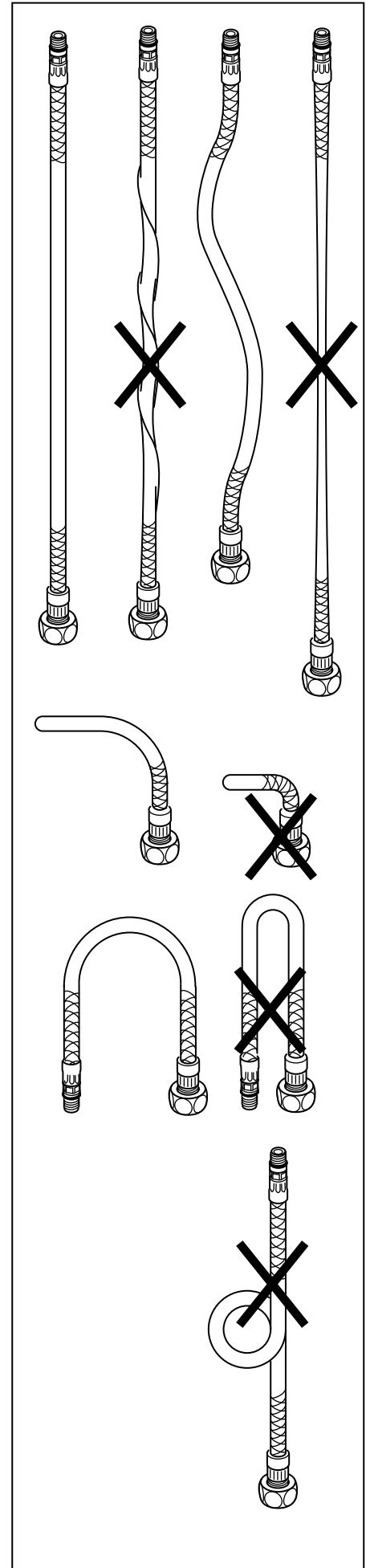


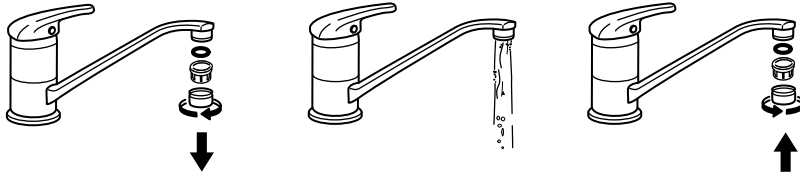
3



English

IMPORTANT! Do not tighten too hard: this can damage hoses/pipes and washers.





10004076
High pressure



117468
Pre-fitted
Low pressure



10004076
Pre-fitted
High pressure



118874
Low pressure

English

Before use: Unscrew the Aerator/Flow Guide and allow the water to run freely for a few minutes. Then screw the Aerator/Flow Guide back in place. Ensure that it is tight to prevent removal by hand.



English

To comply with UK water regulations, this product shall be installed in accordance with the following:

English

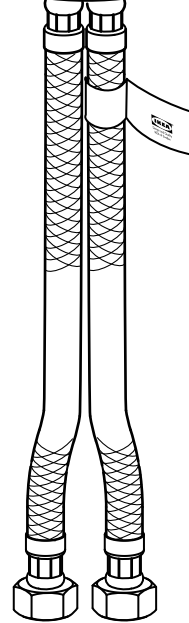
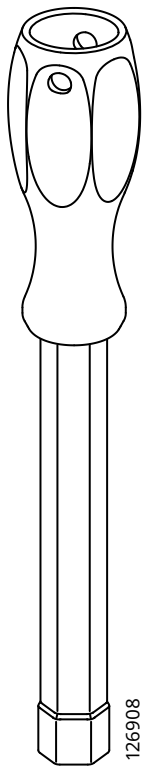
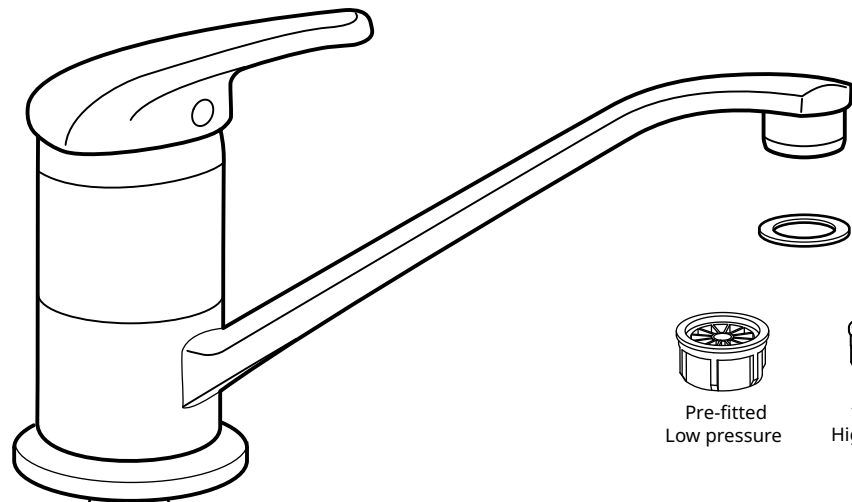
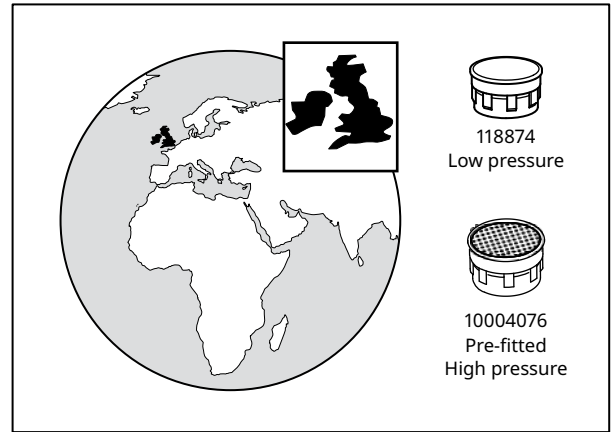
Inlet supply hoses shall be installed where light is excluded.

English

Water supplies shall be at reasonably balanced pressures from a common source (e.g. hot and cold supplies both from the same storage or both from a supply pipe). Where the fitting is supplied from unbalanced supplies (e.g. hot and cold supplies from separate sources) an 'Approved' single check valve or some other no less effective backflow prevention device shall be fitted immediately upstream of both hot and cold water inlets.

English

Check at regular intervals to make sure that the installation is not leaking.



G1/2"

