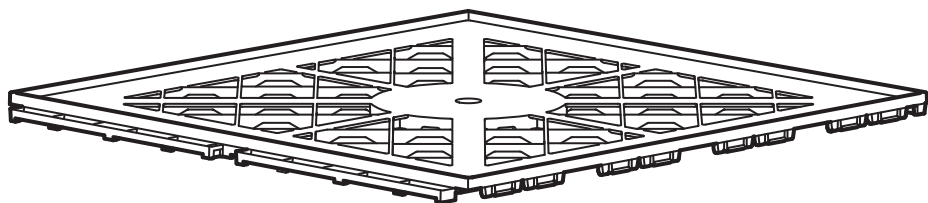
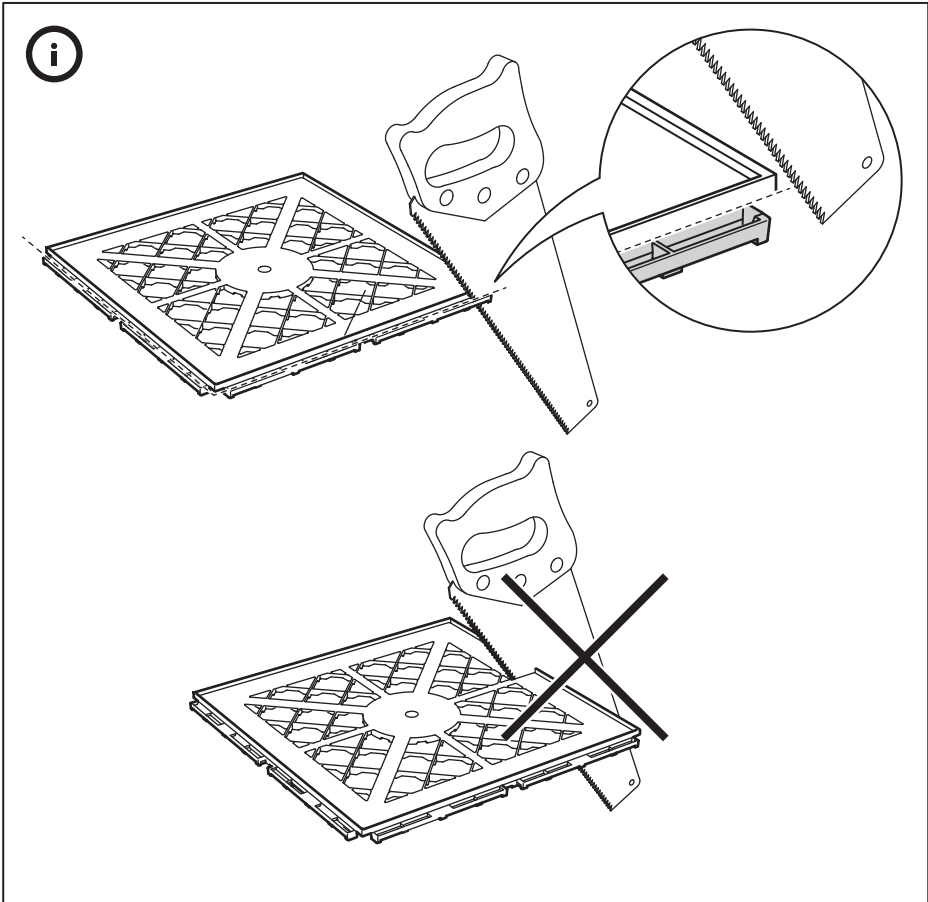
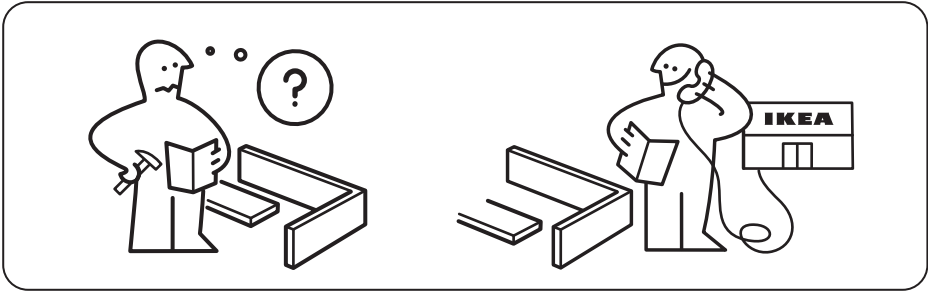


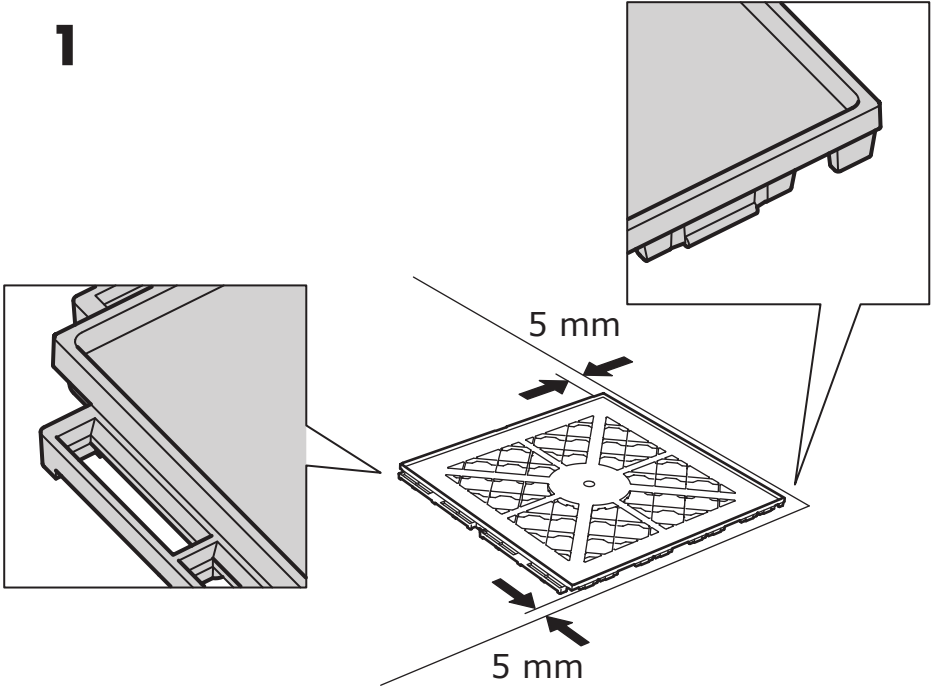
# MÄLLSTEN



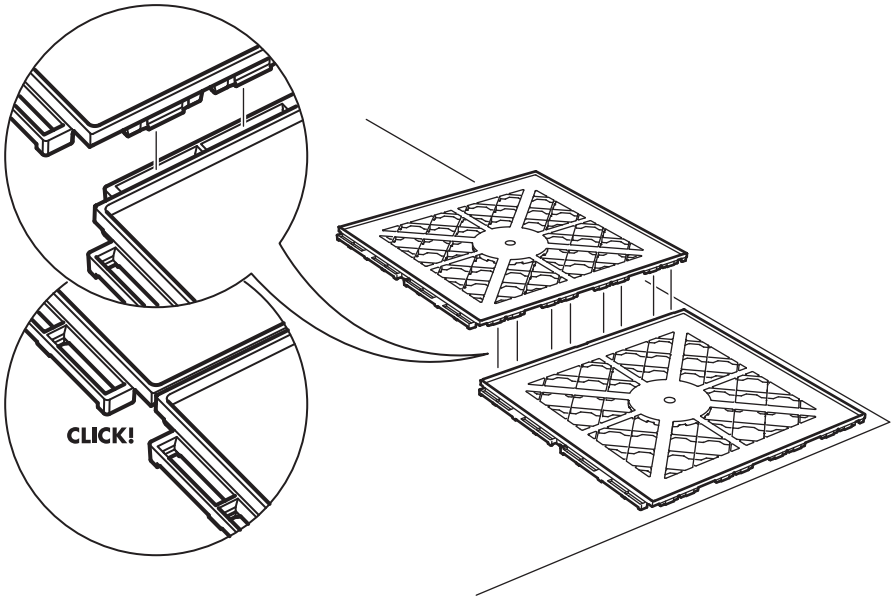
Design and Quality  
IKEA of Sweden



**1**



**2**



**3**

