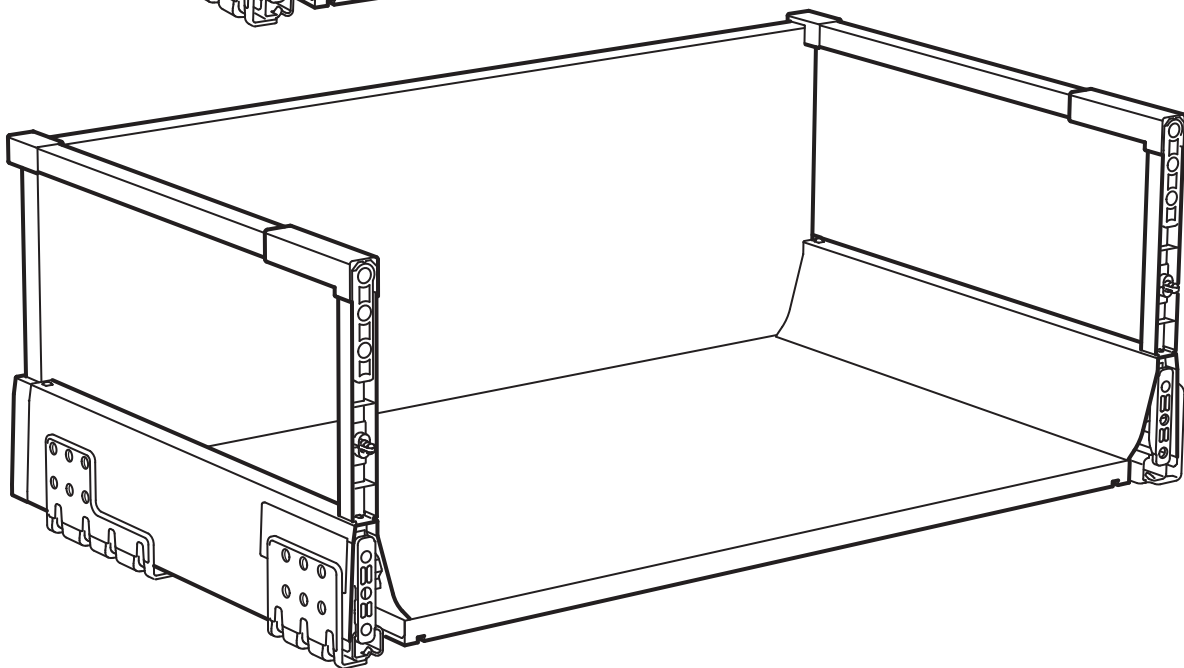
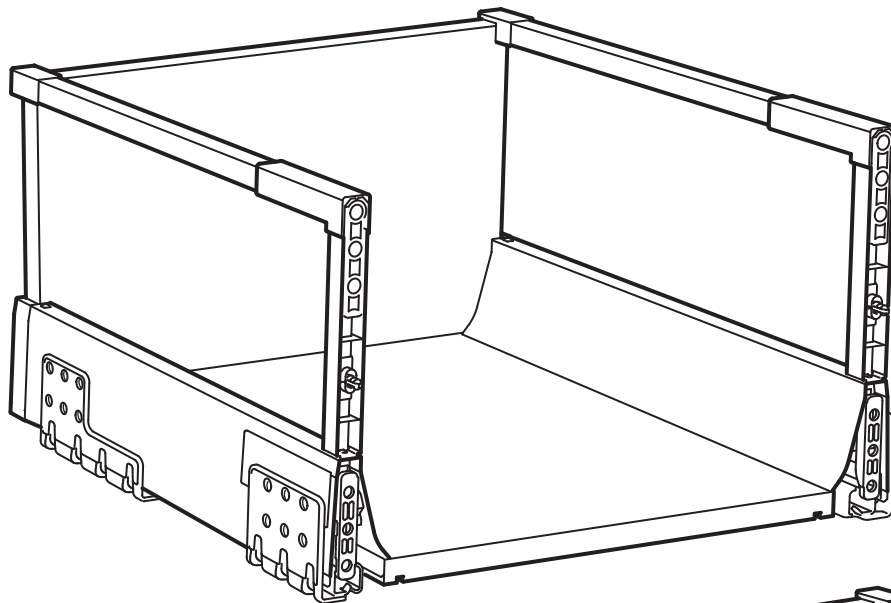
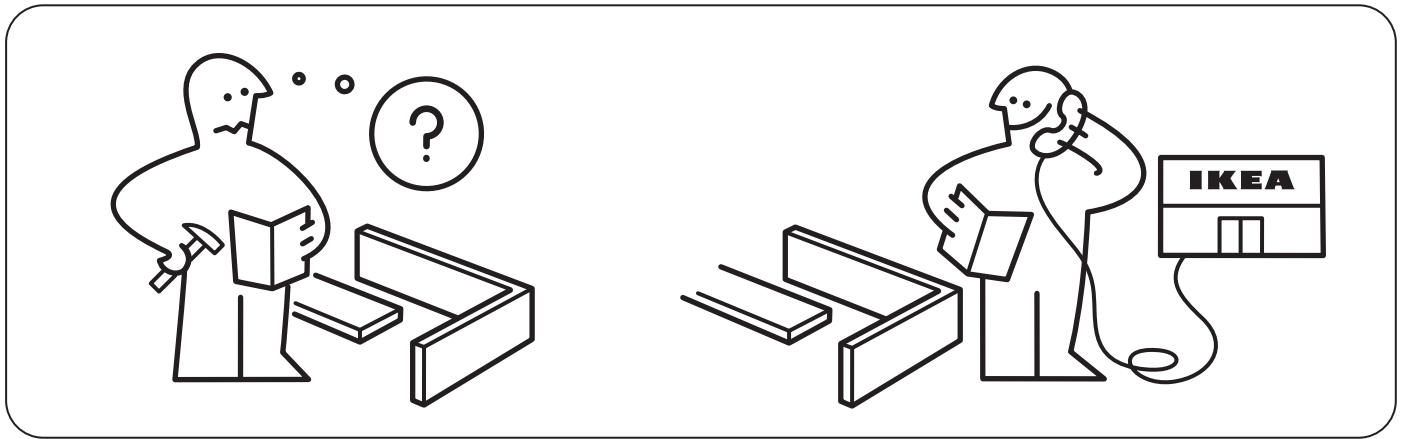
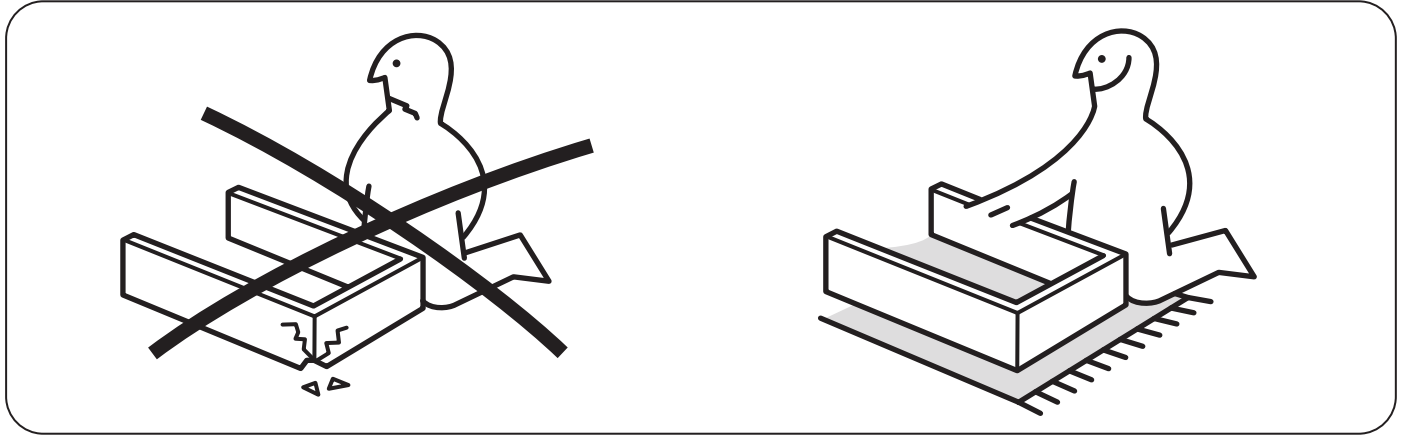
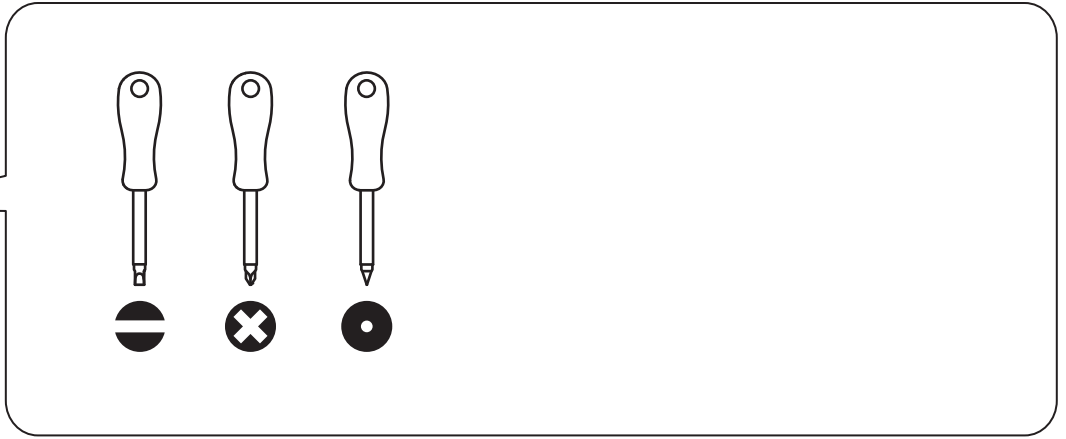
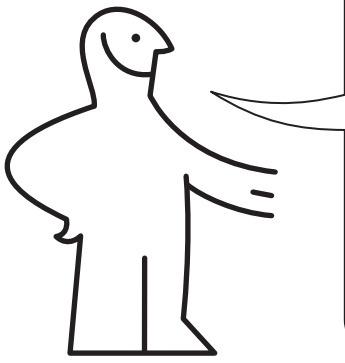


# MAXIMERA



Design and Quality  
IKEA of Sweden



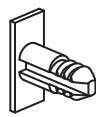
14x



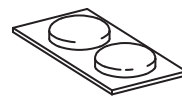
2x



2x



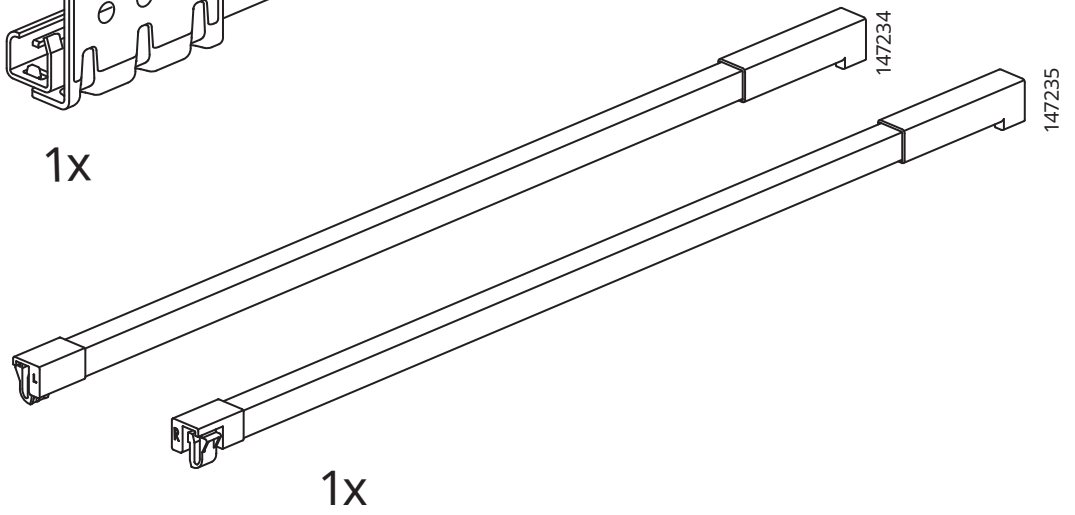
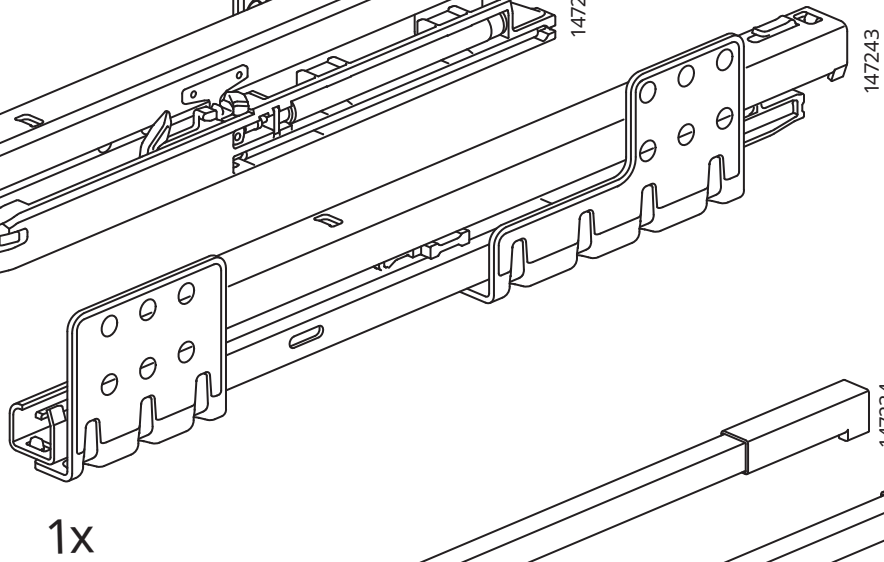
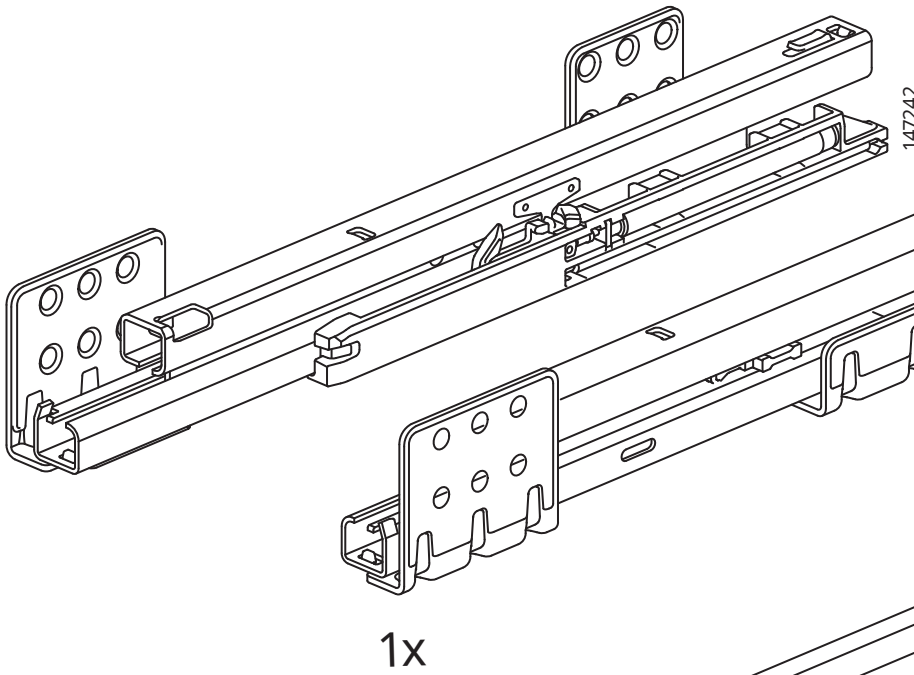
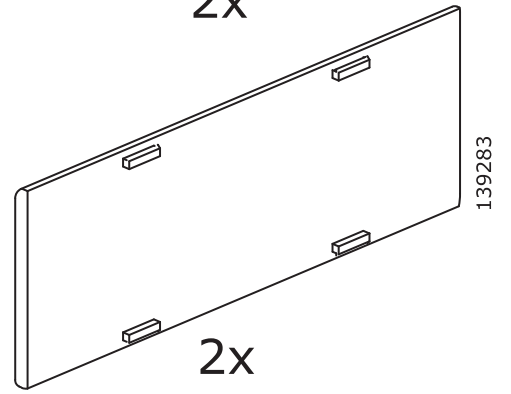
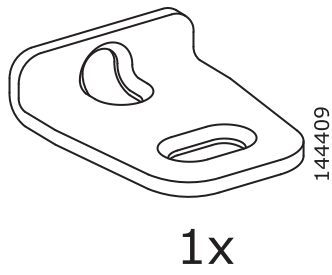
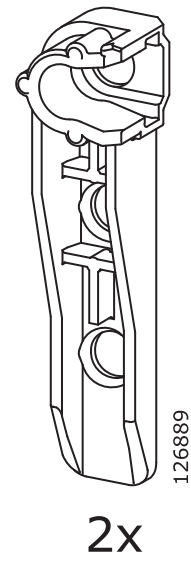
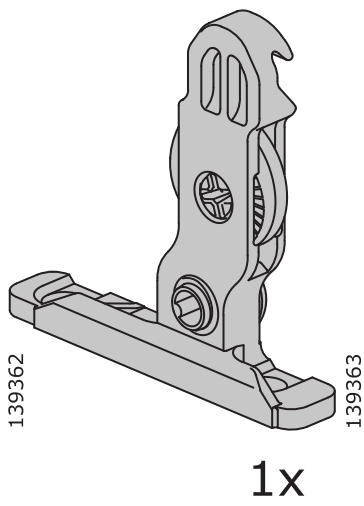
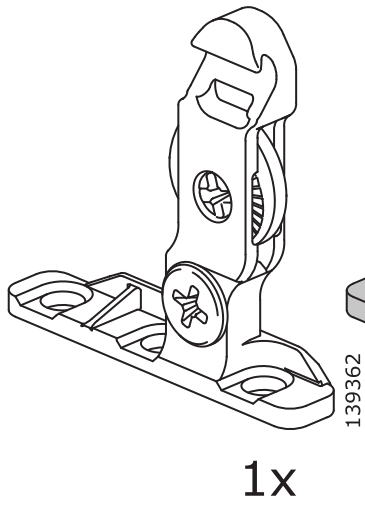
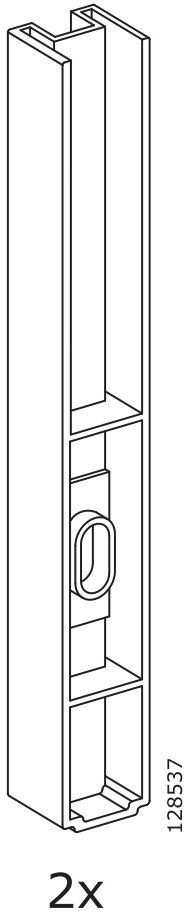
2x



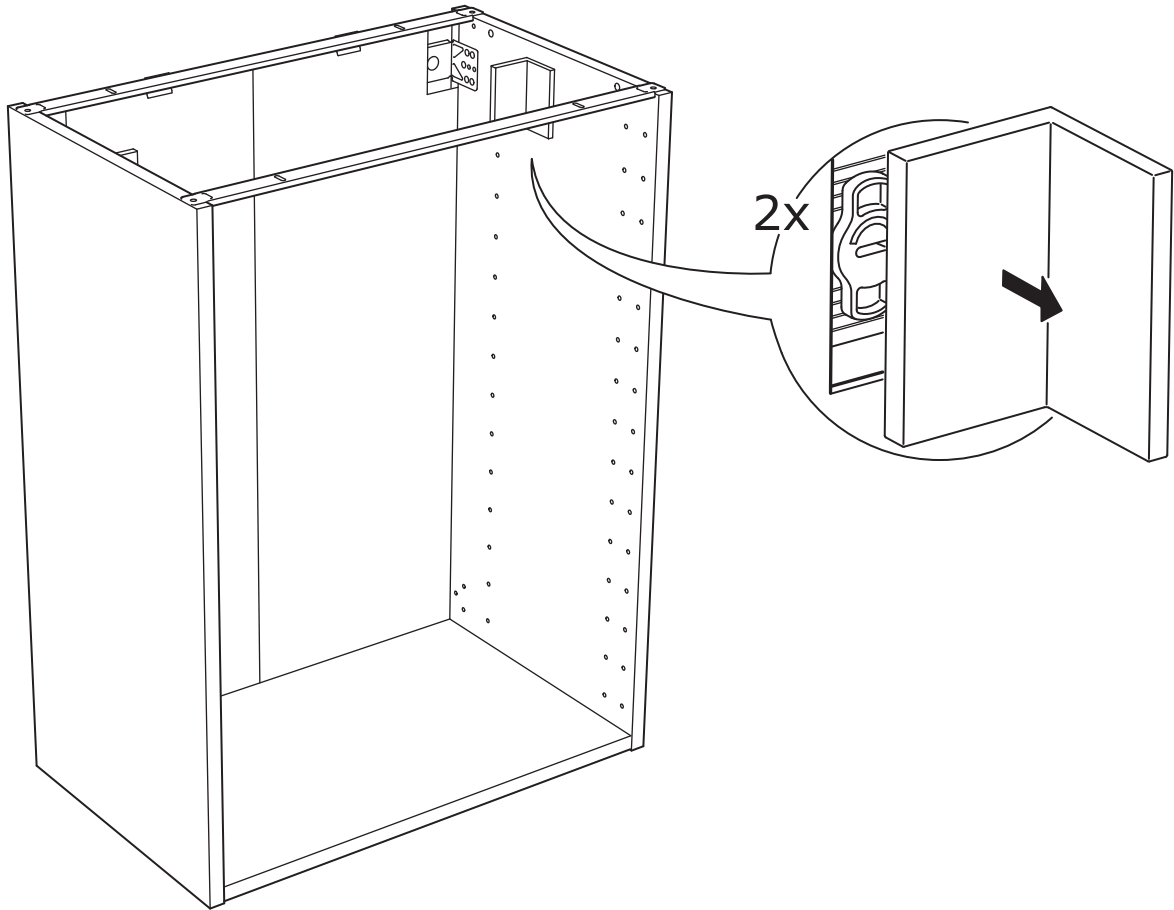
2x



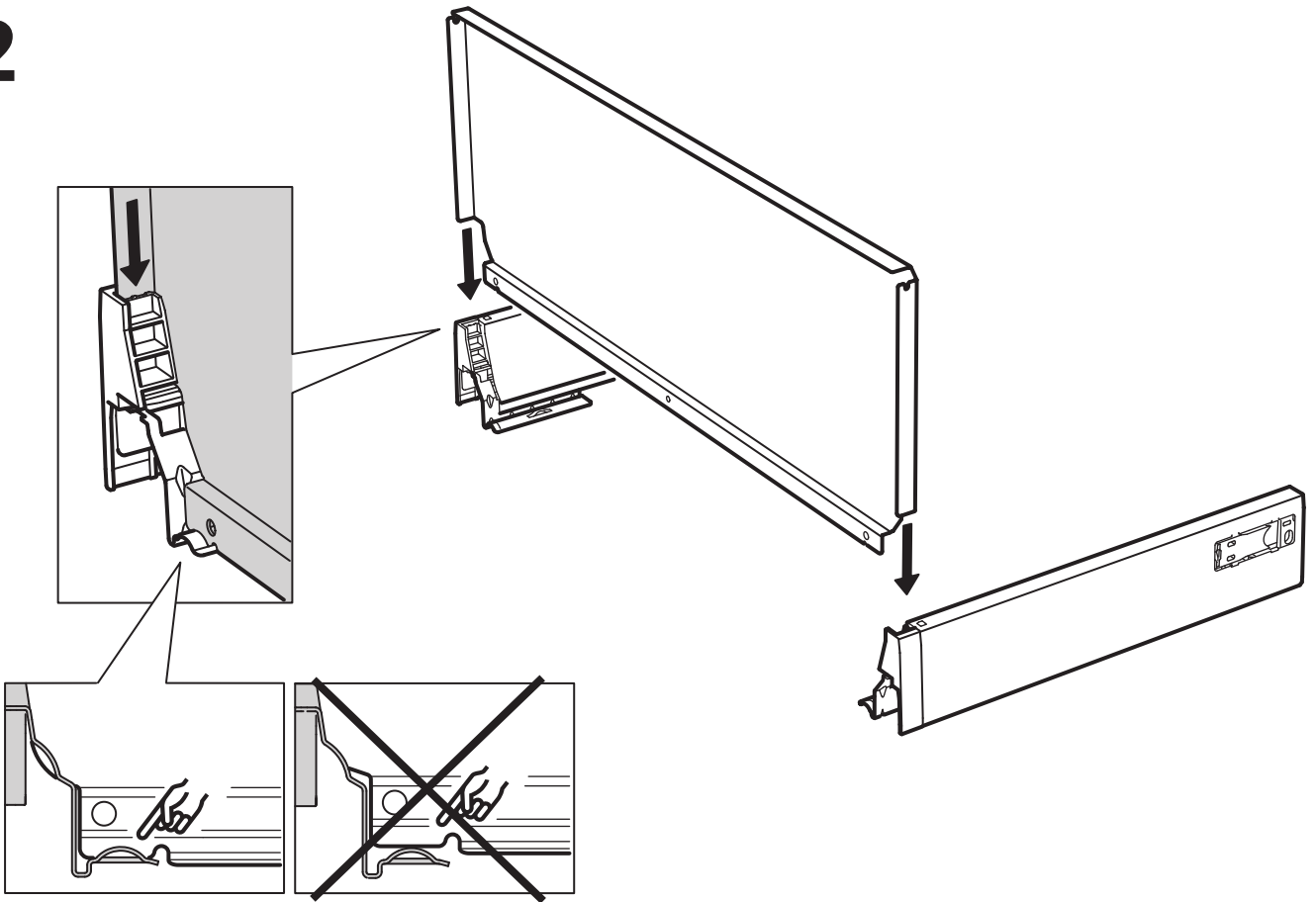
1x



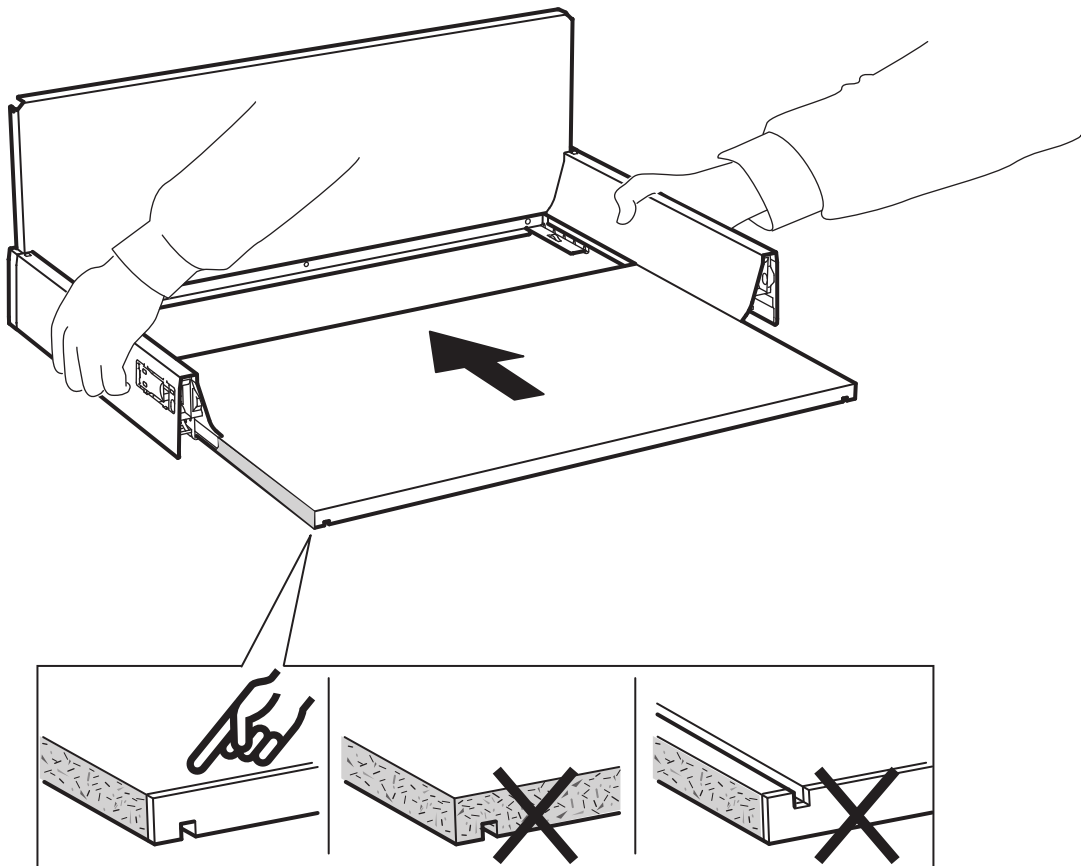
1

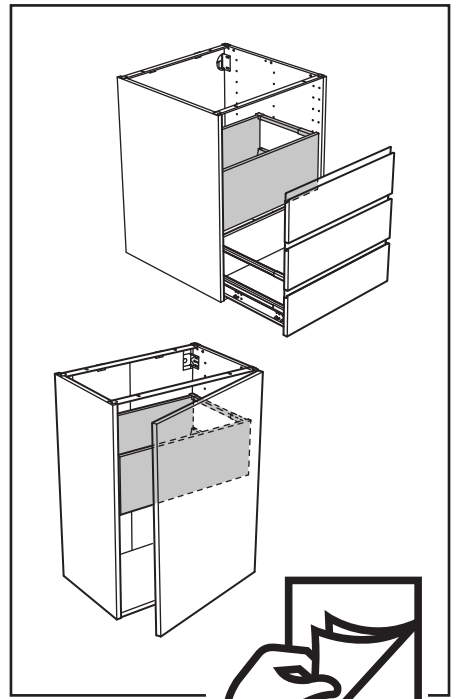
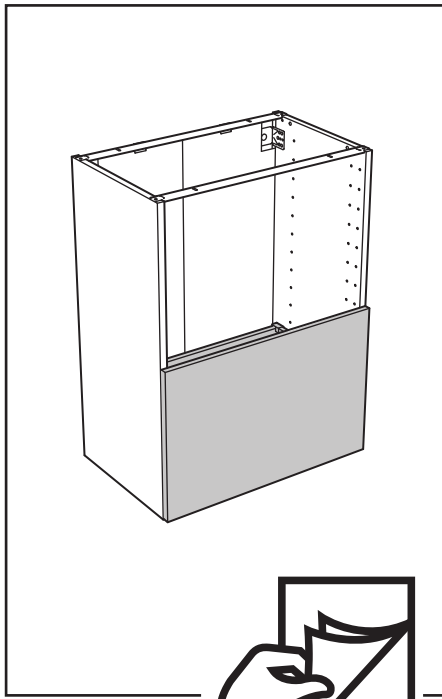
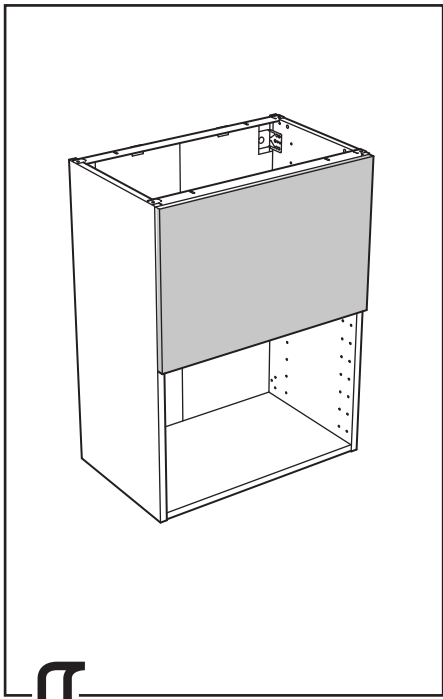


2

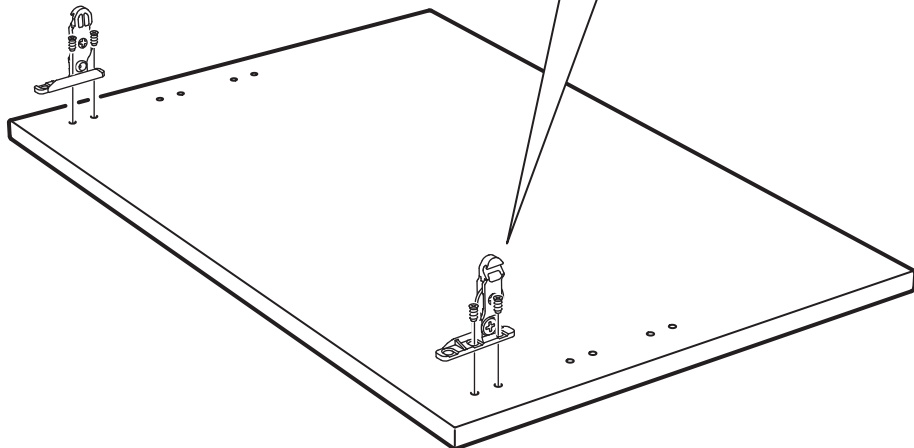
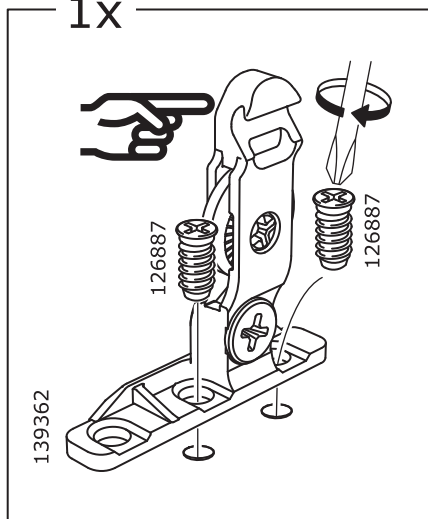
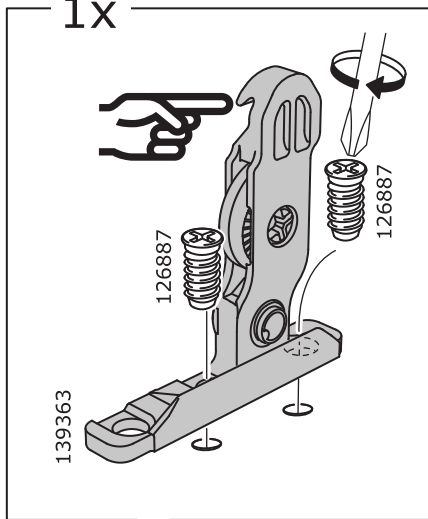


3

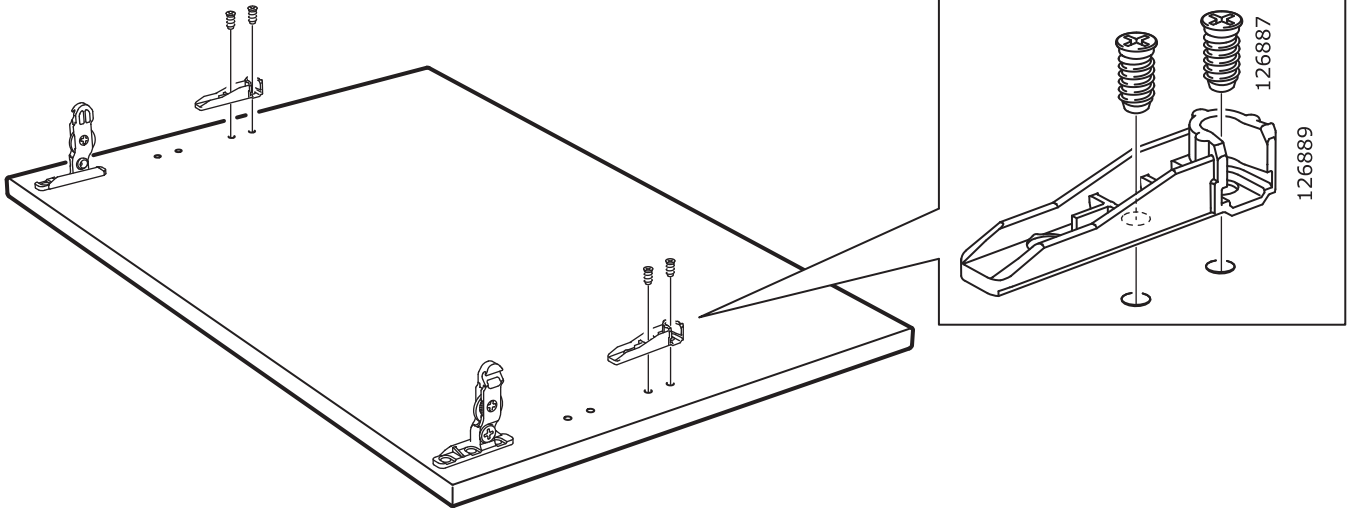




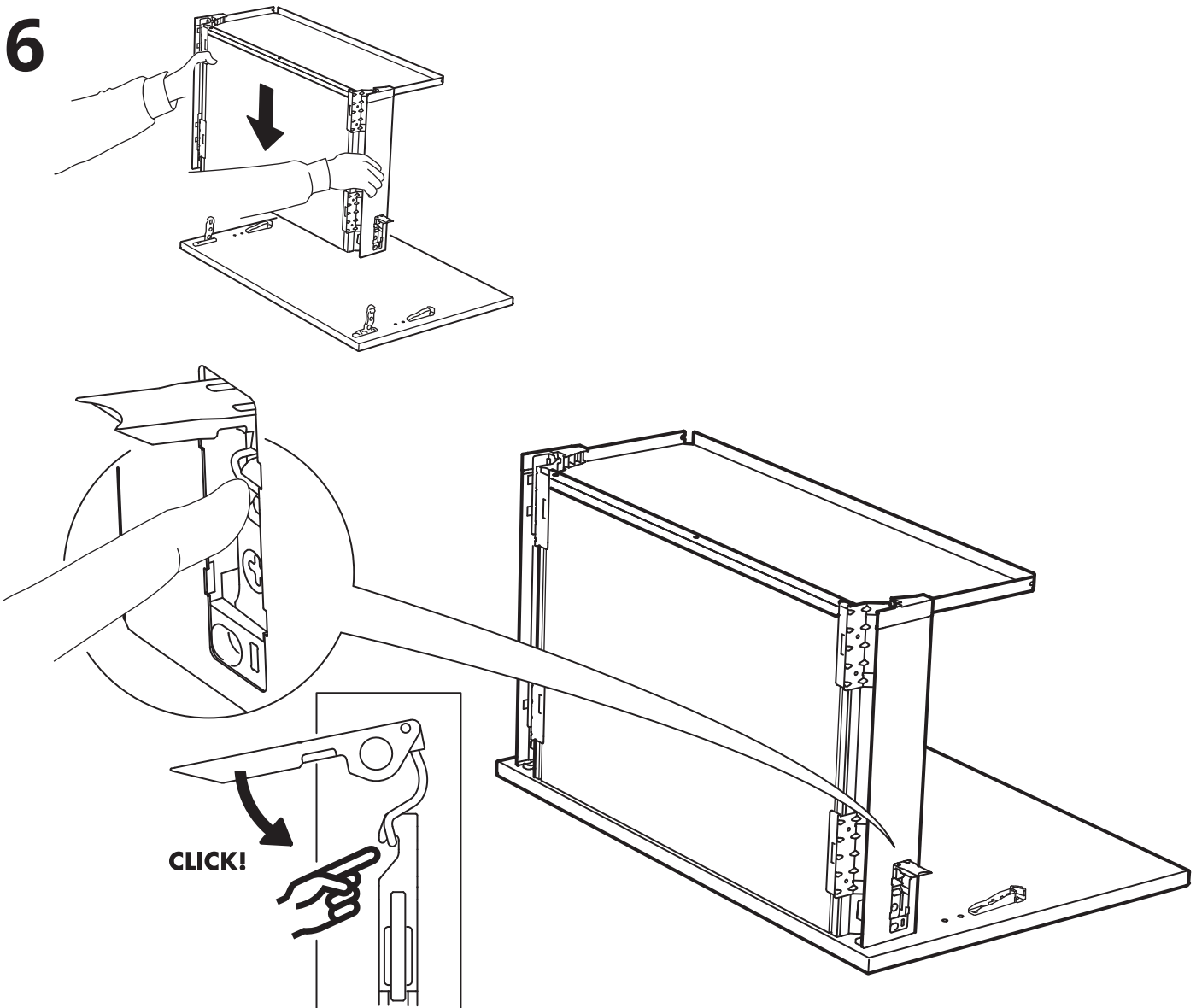
4



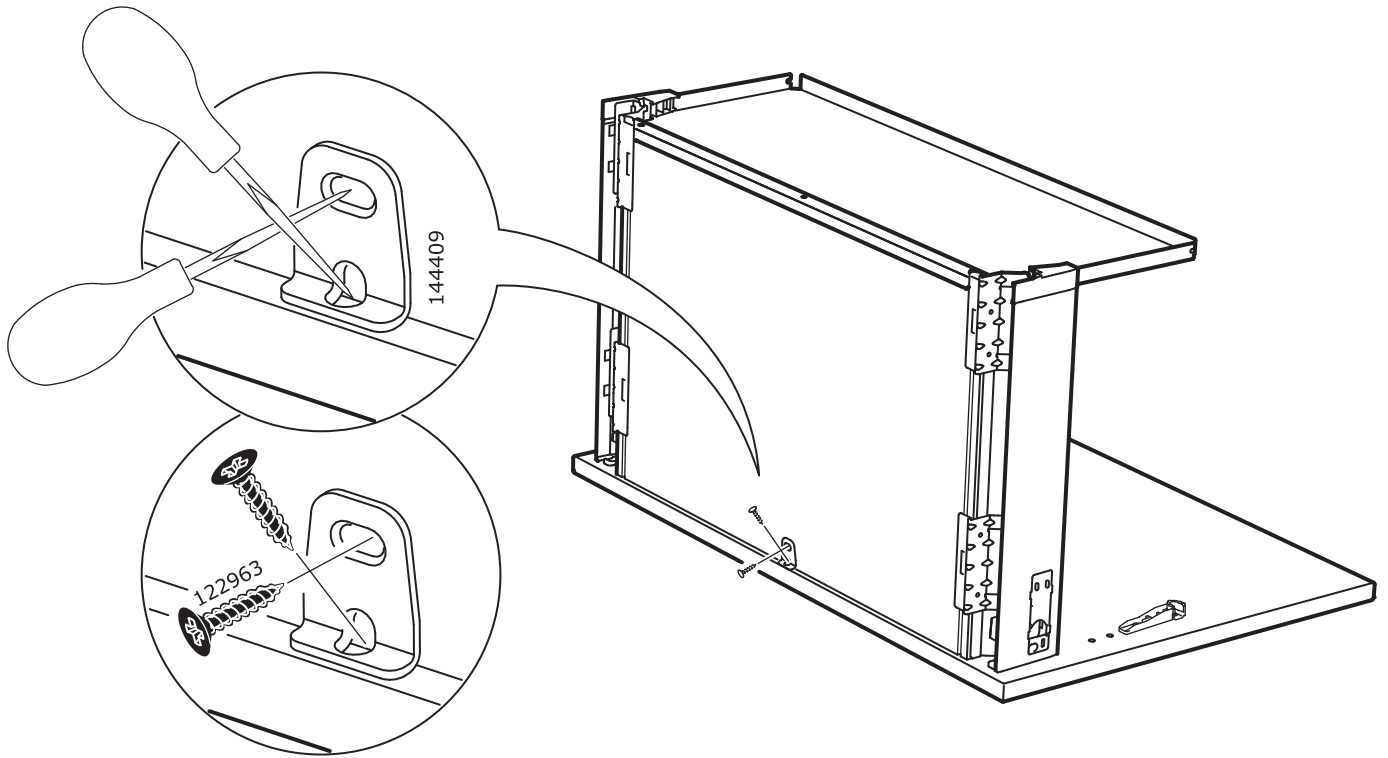
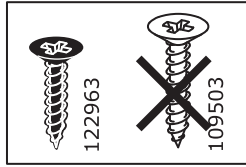
5



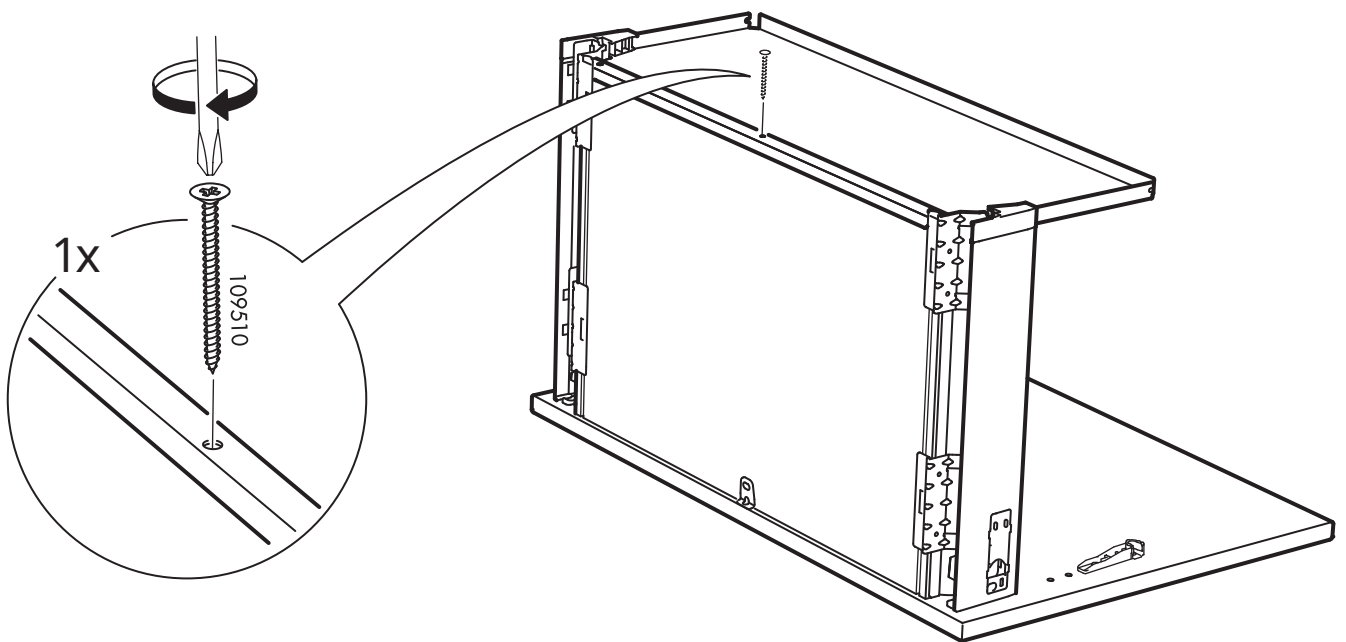
6



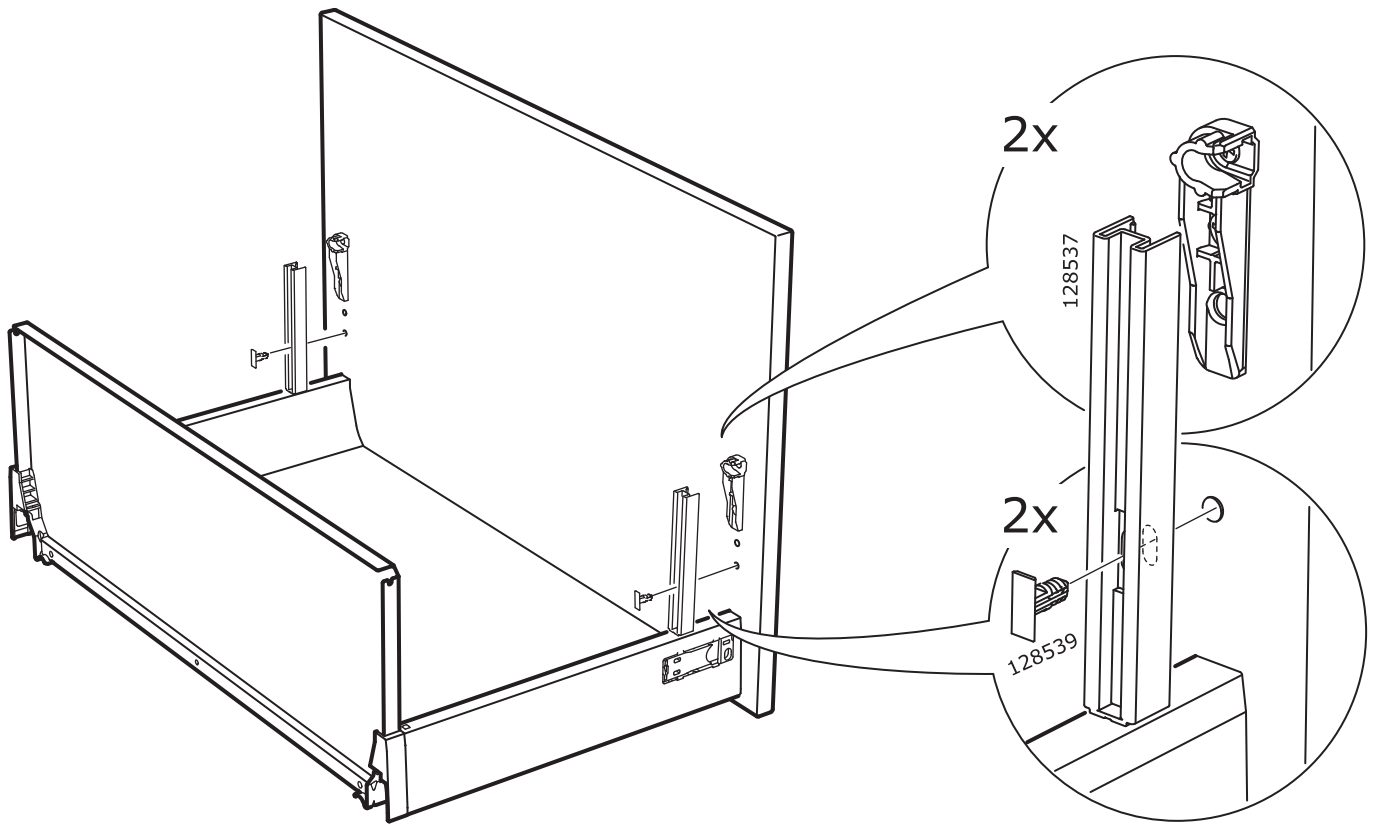
7



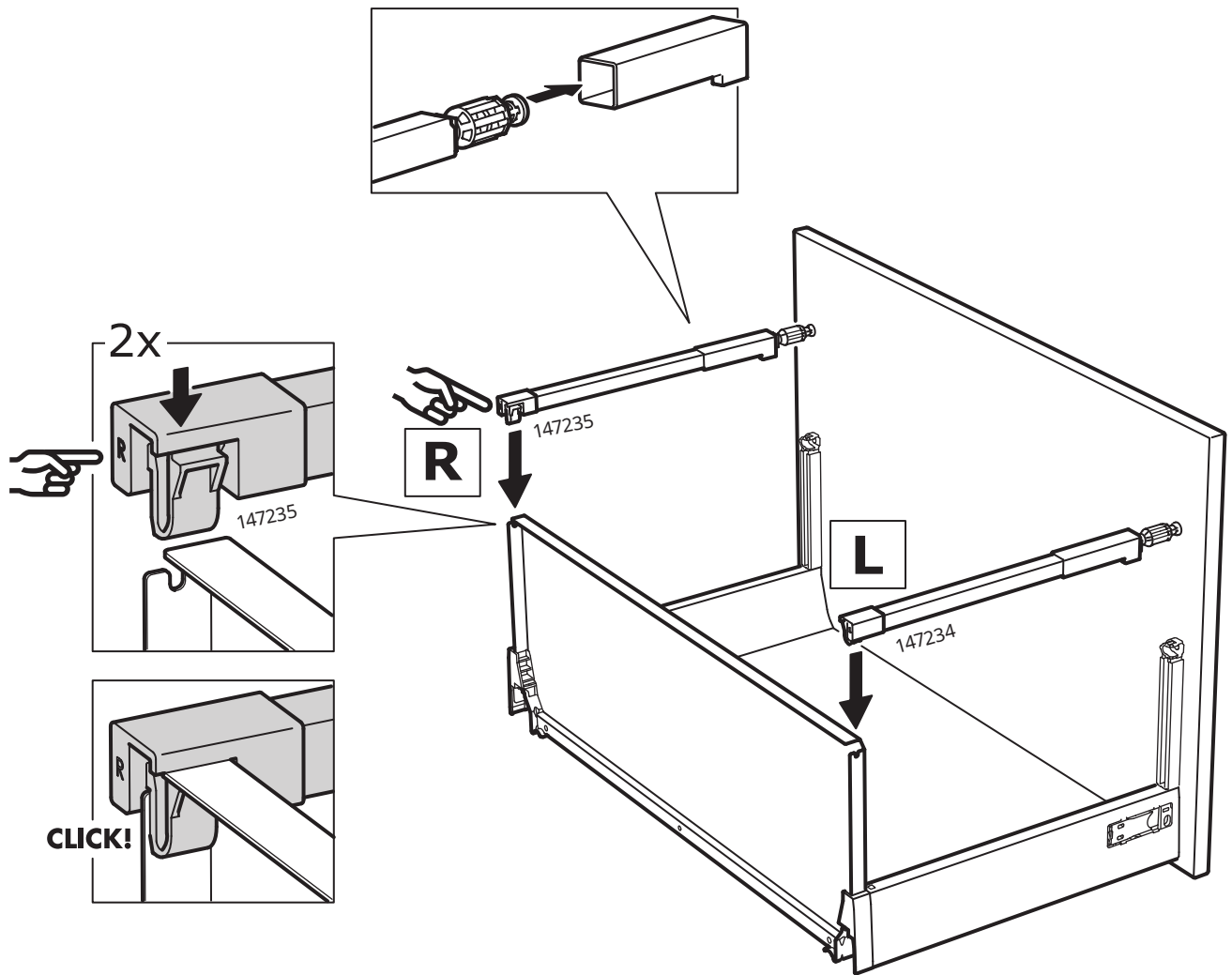
8



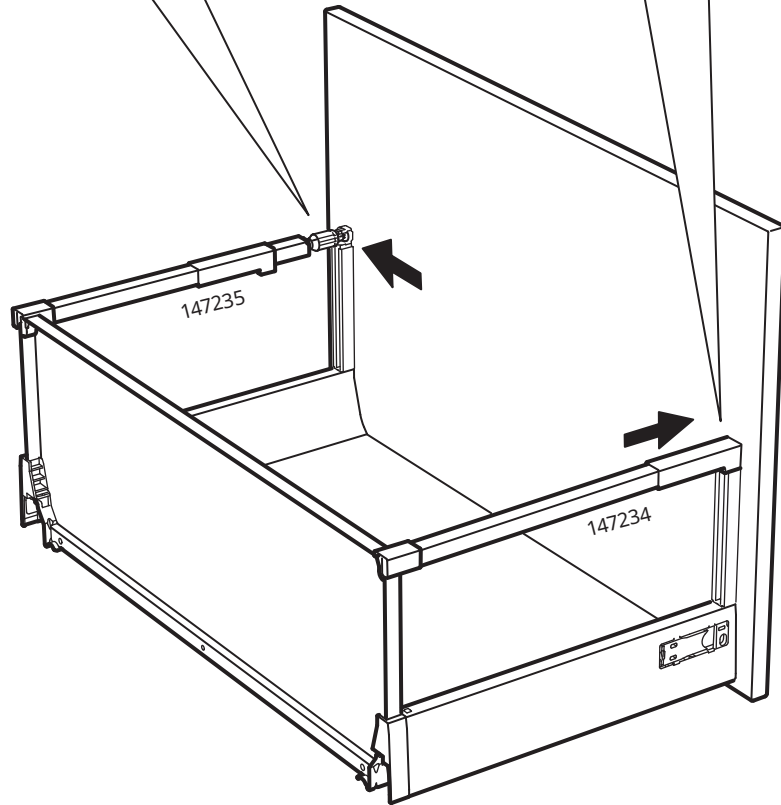
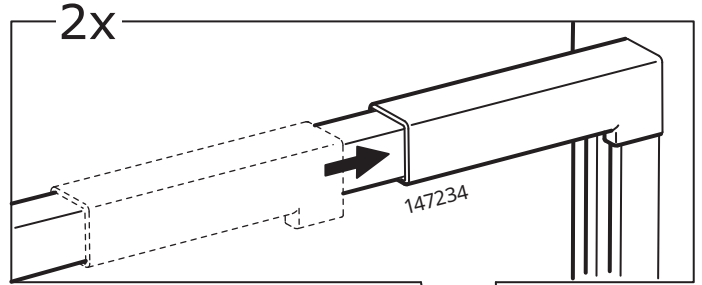
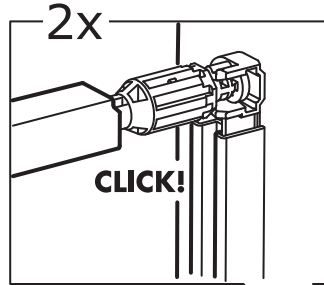
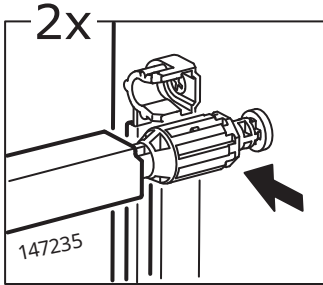




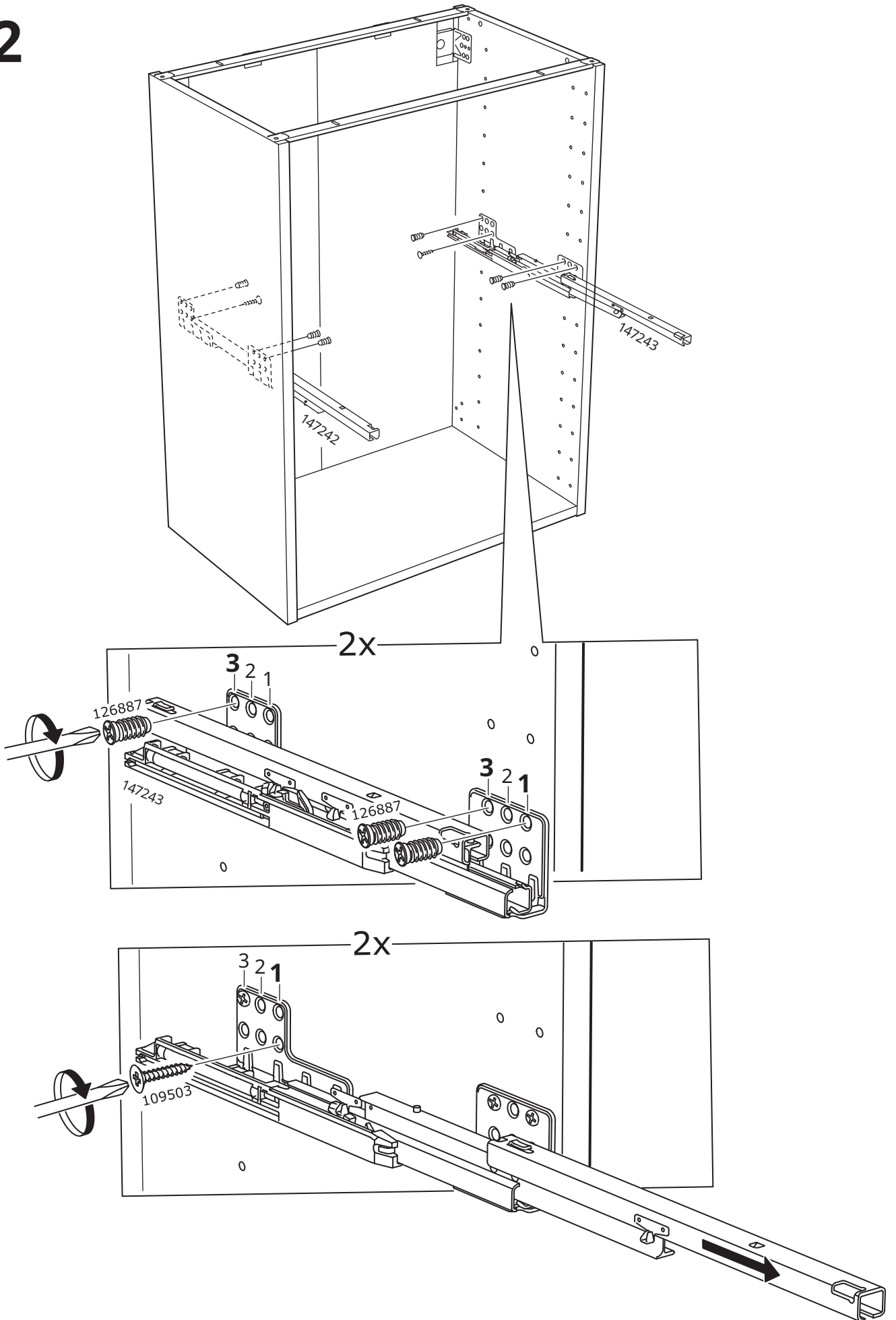
# 10



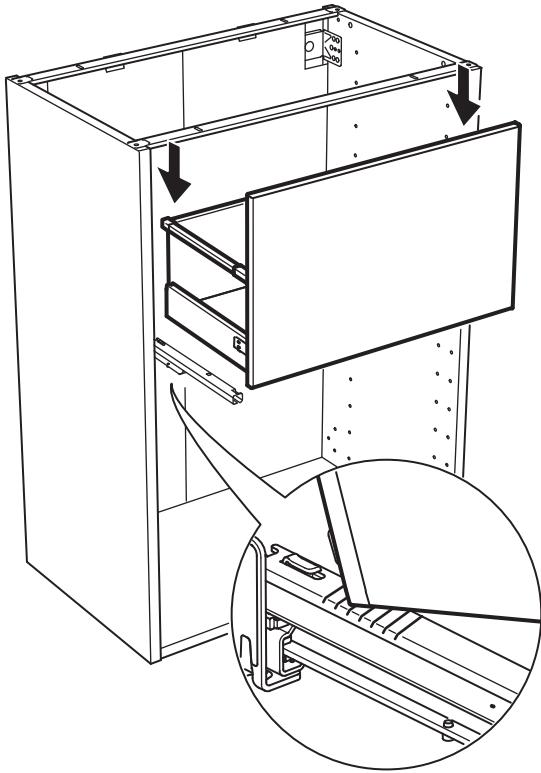
# 11



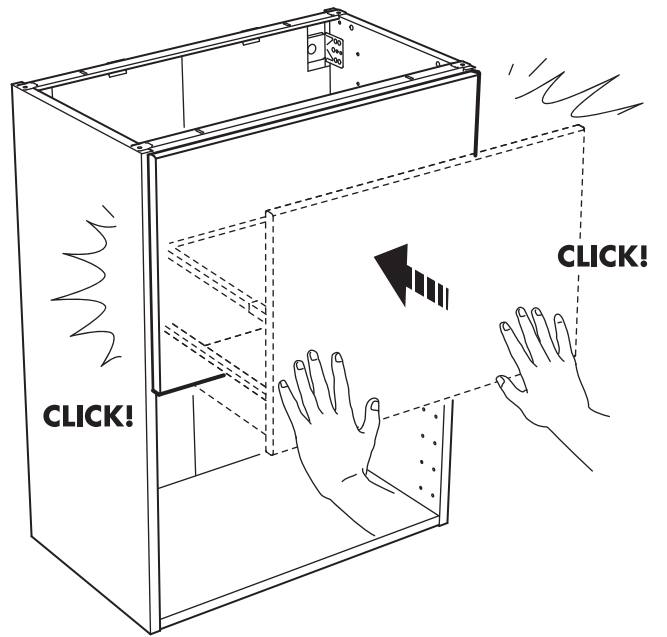
# 12



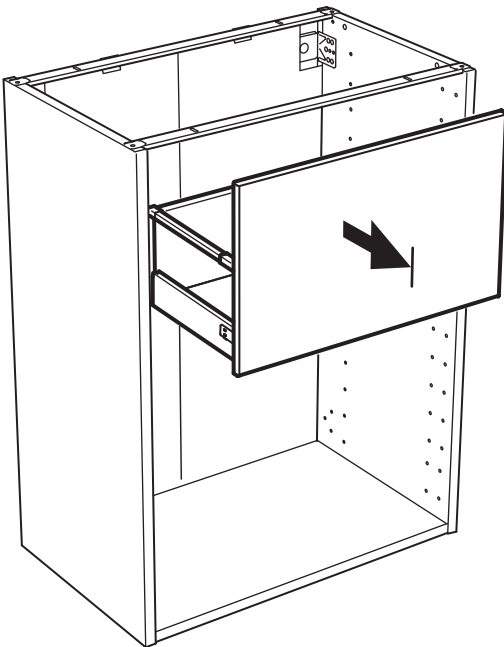
13



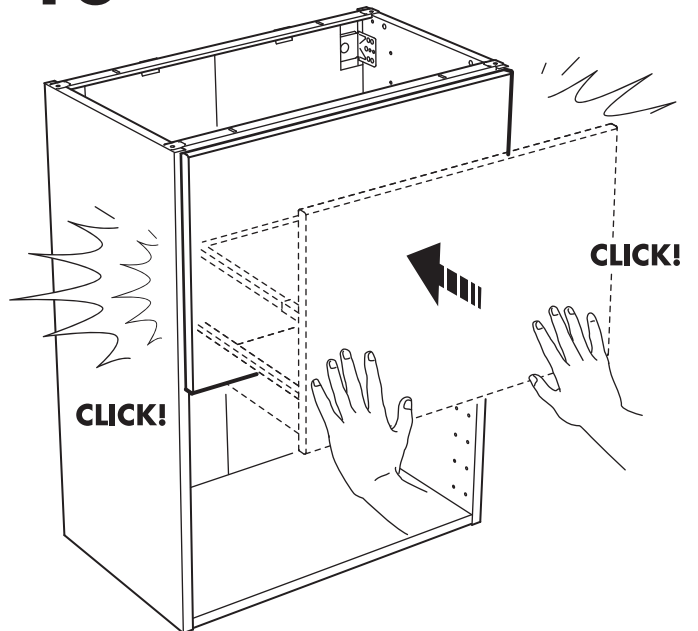
14

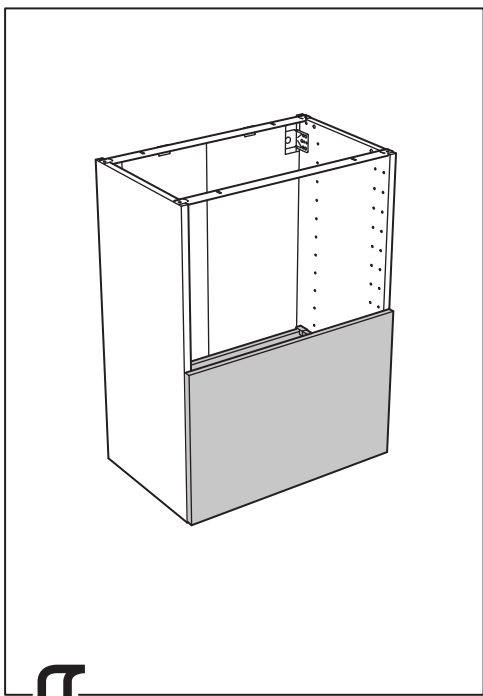


15

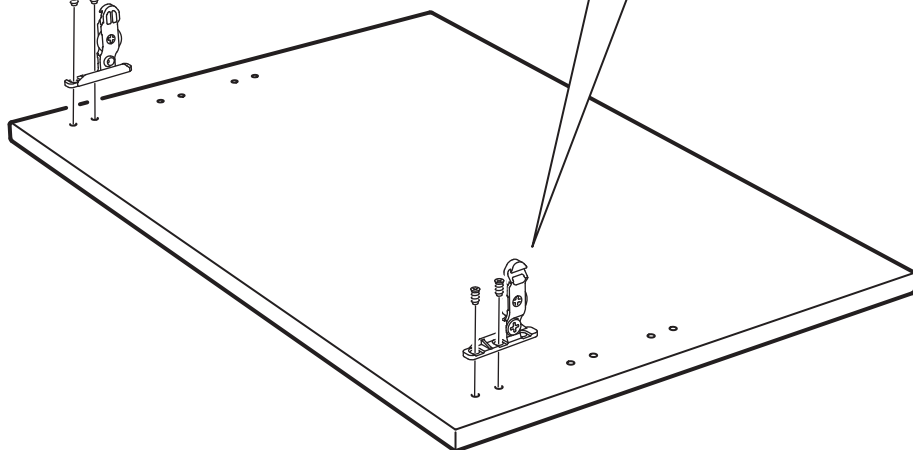
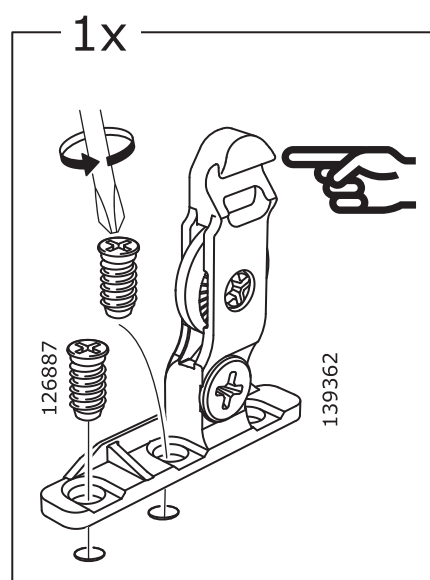
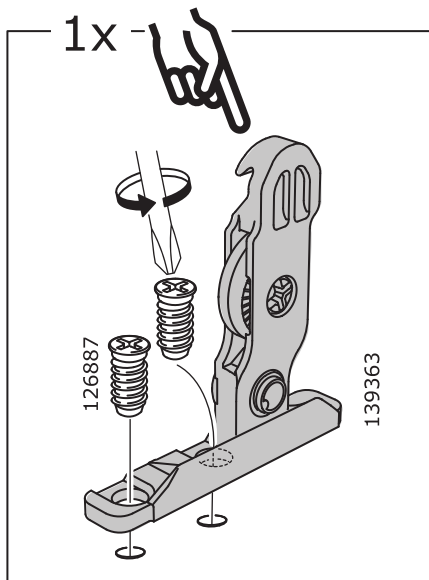


16

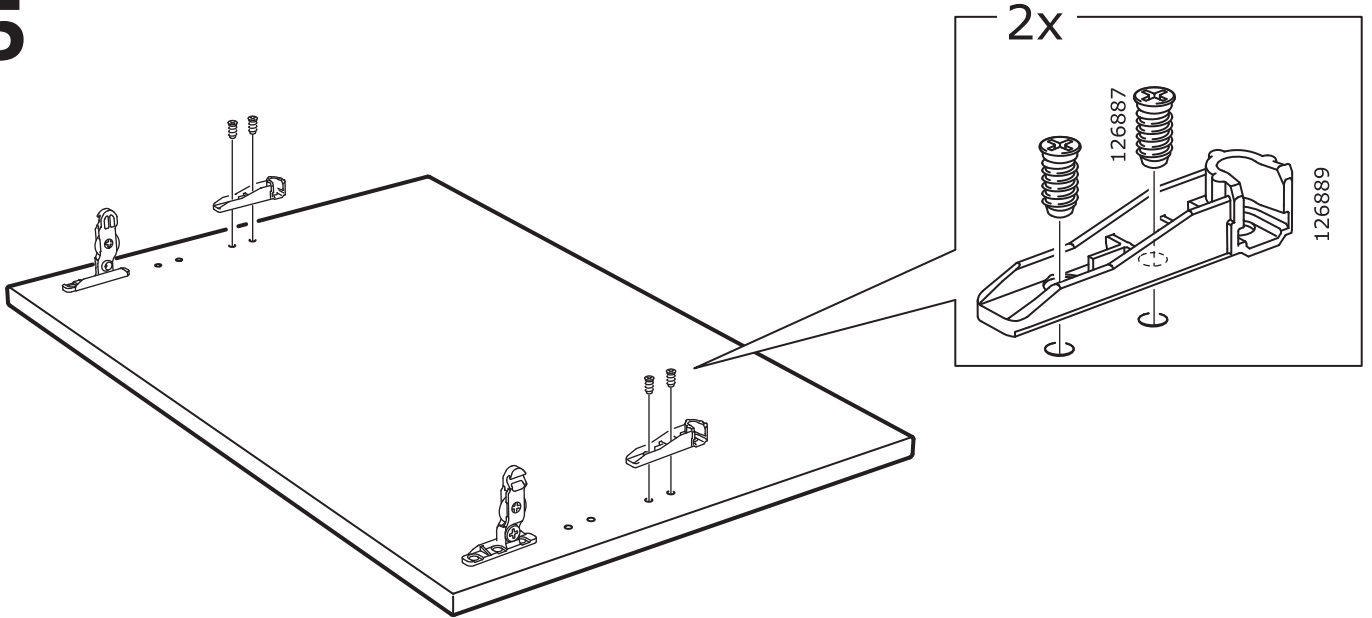




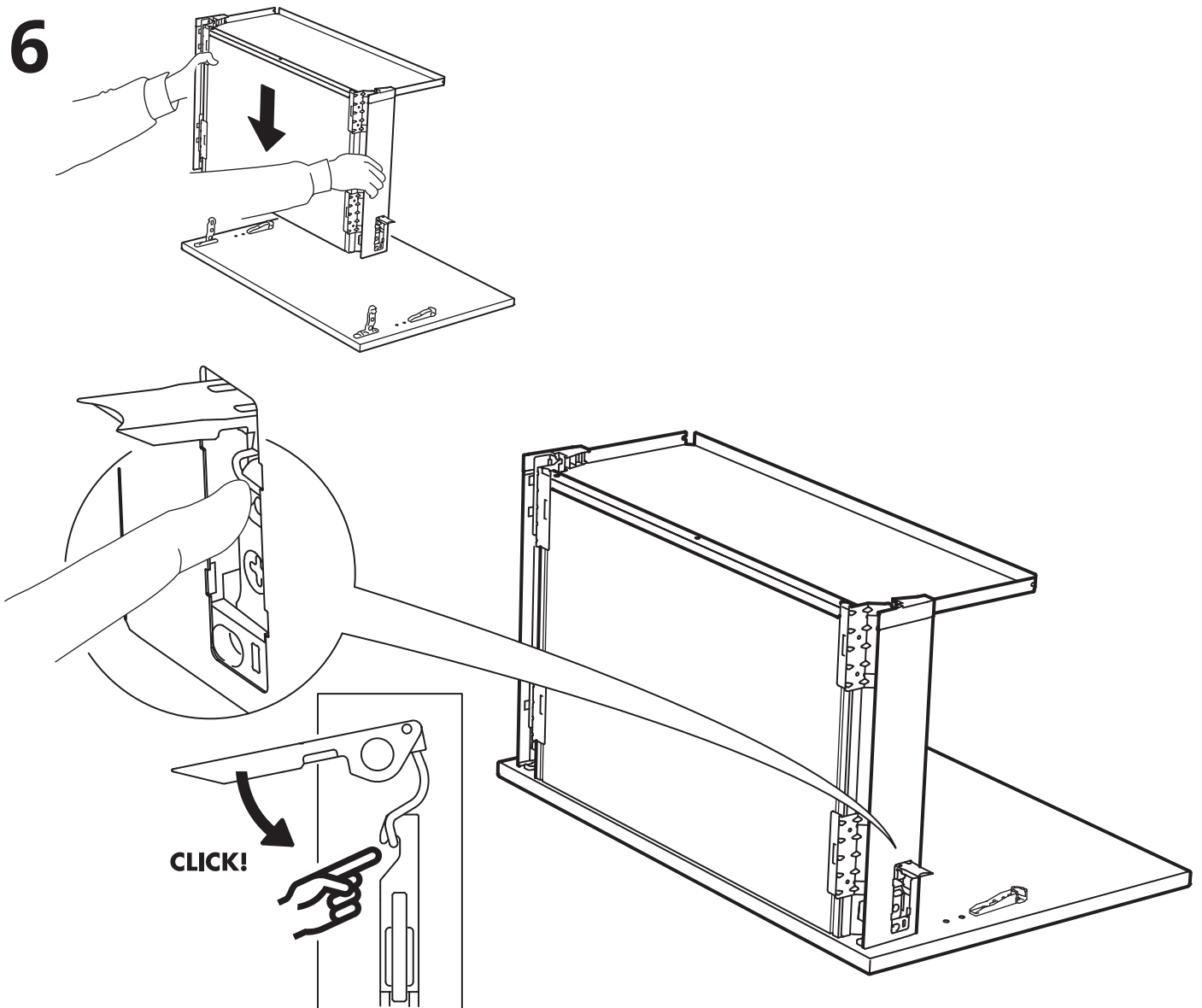
4



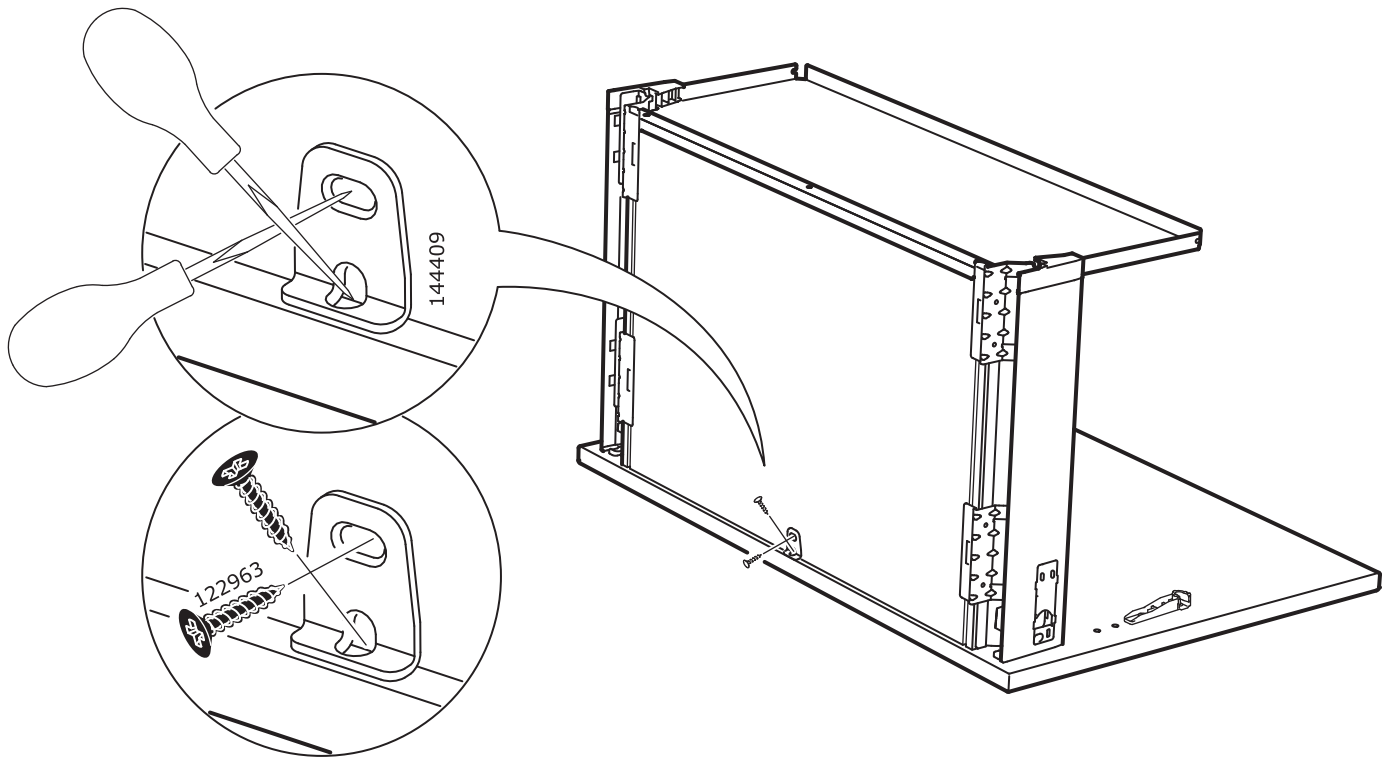
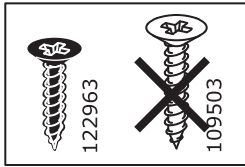
5



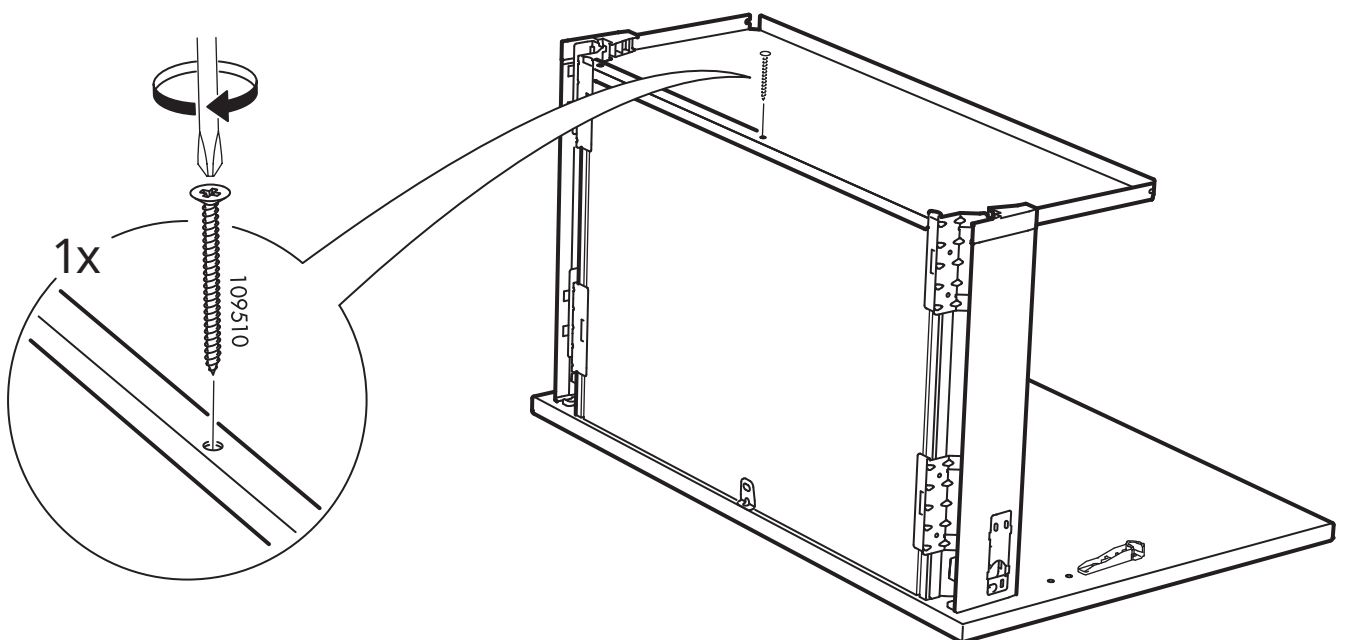
6



7

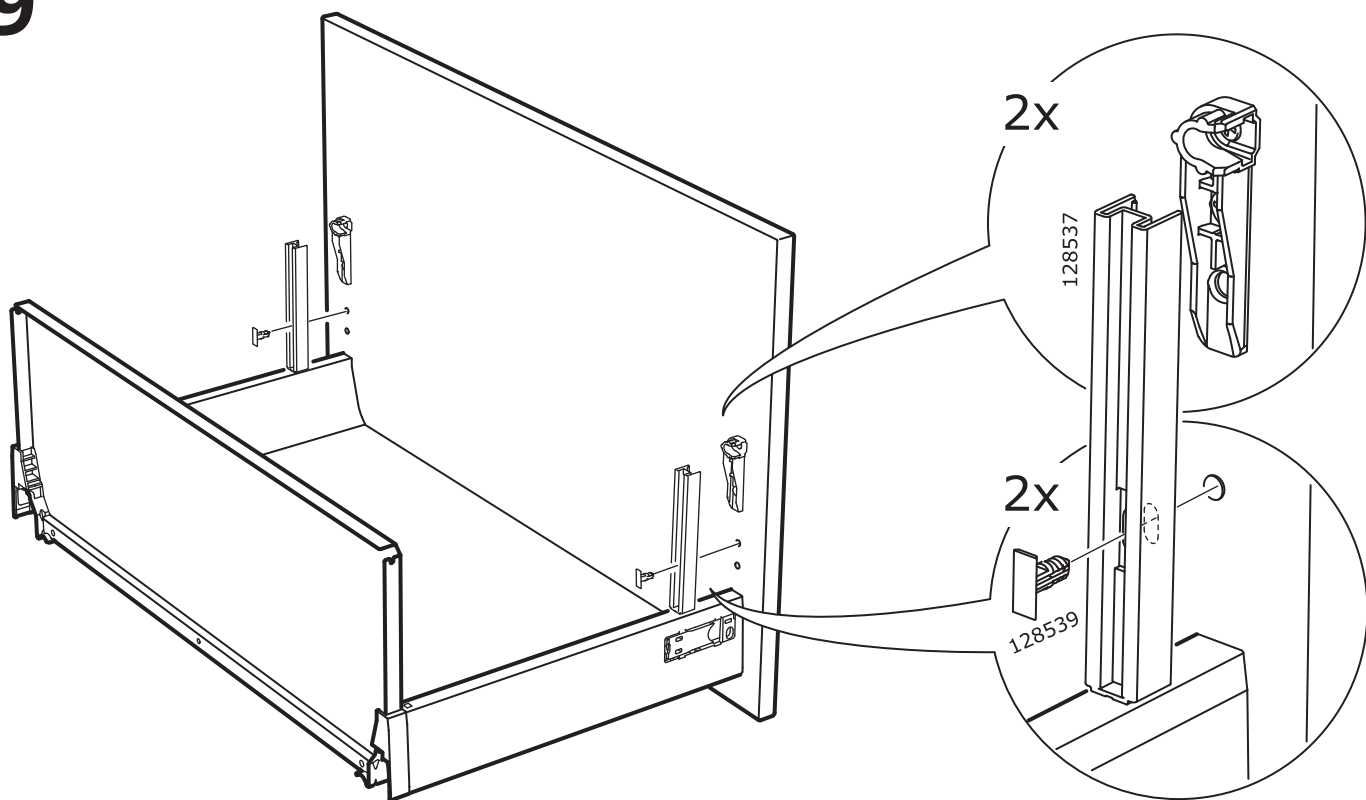


8

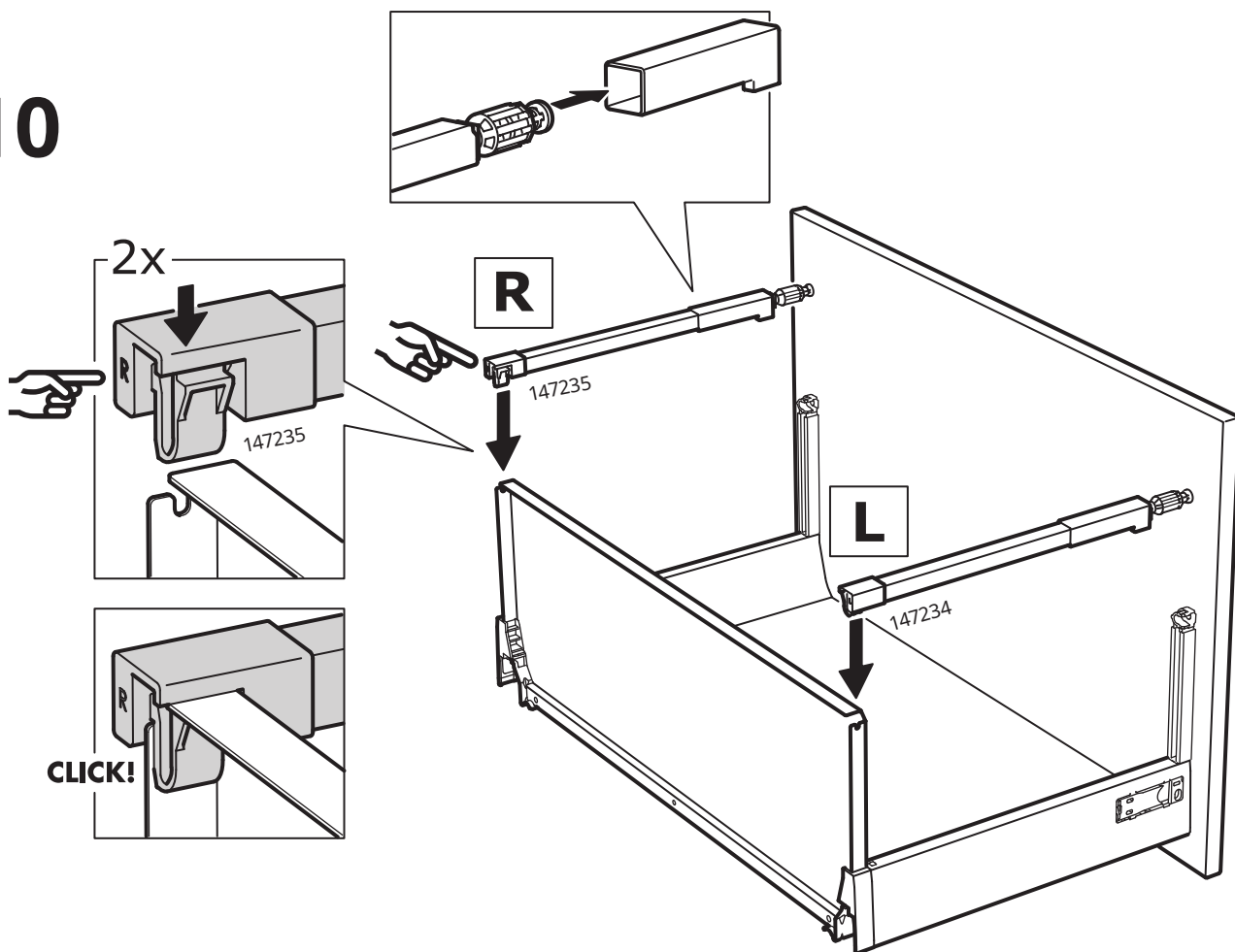




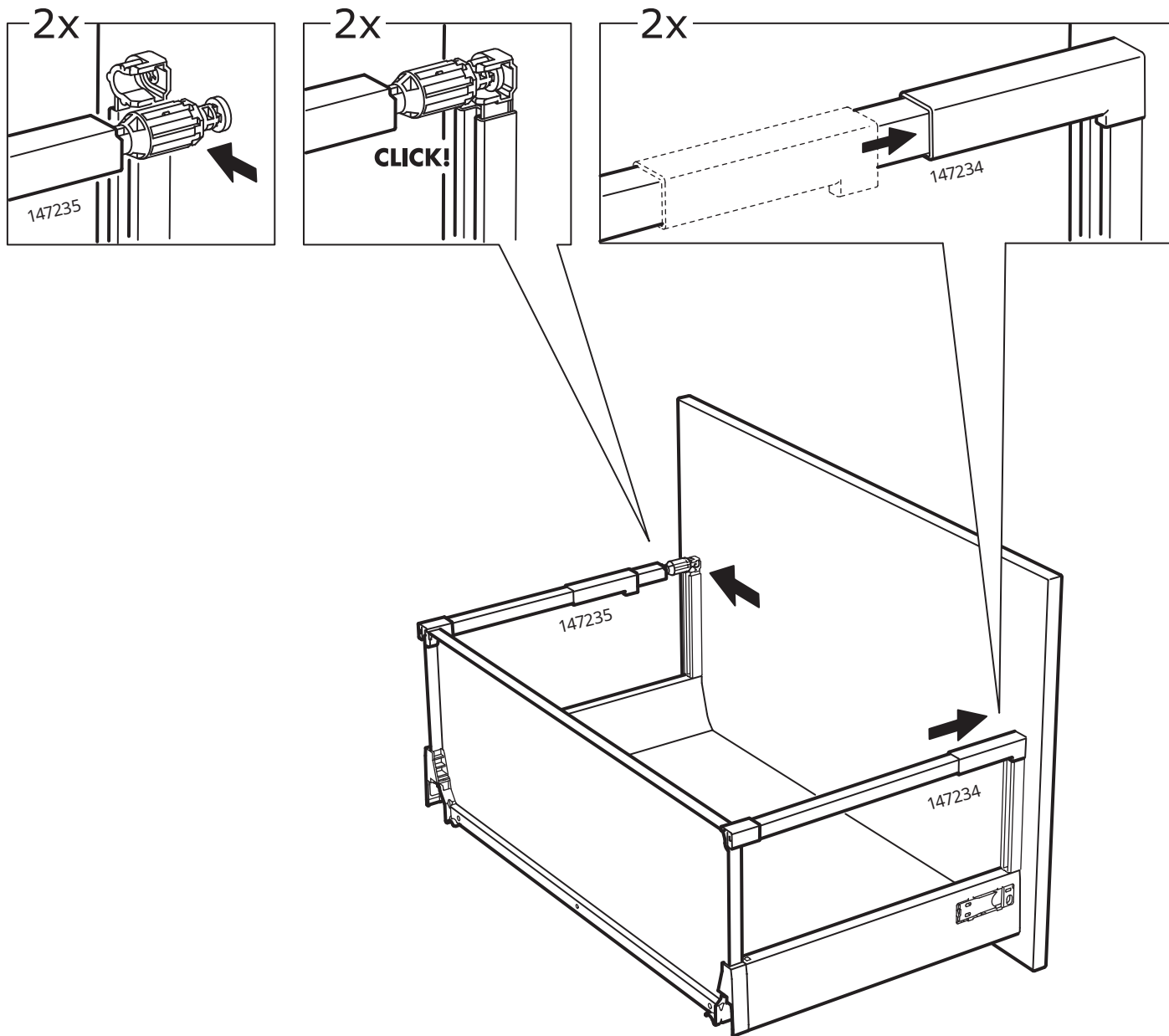
9



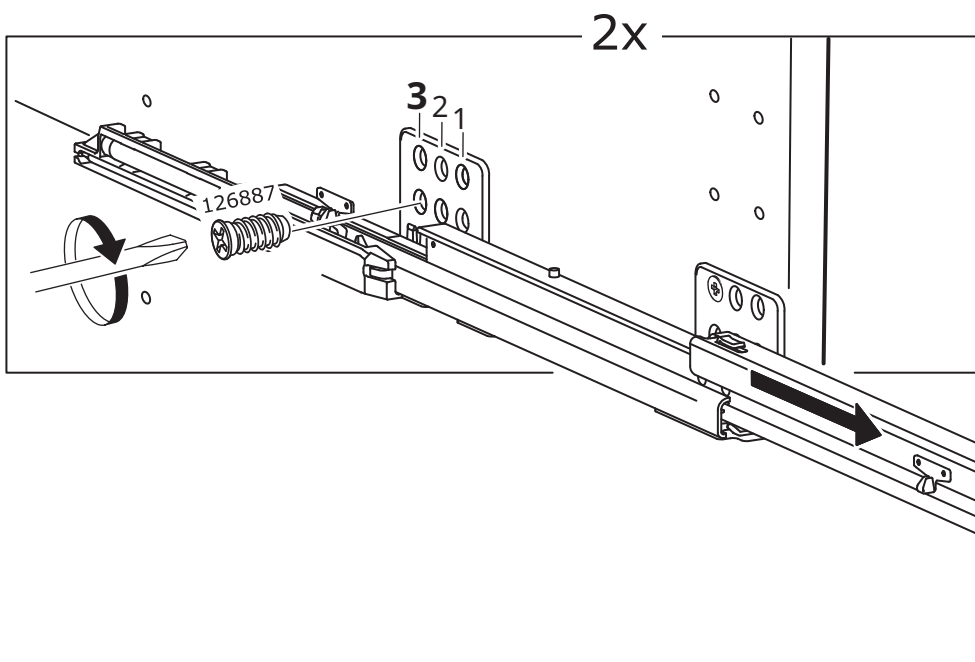
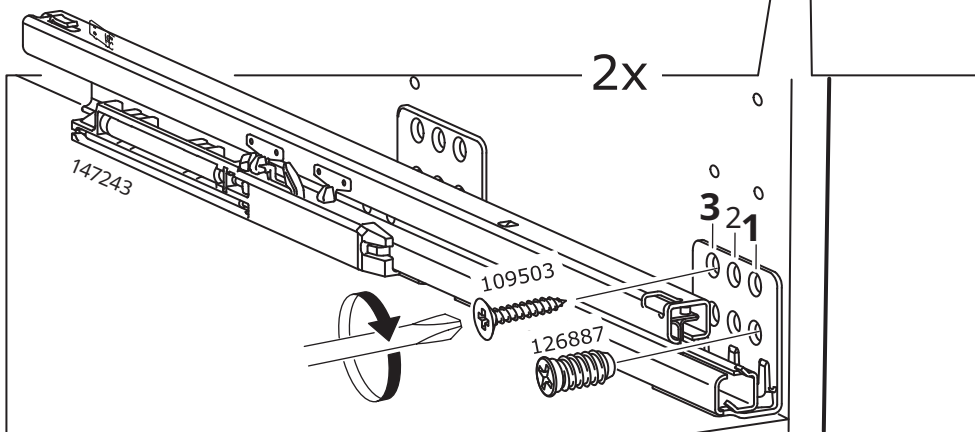
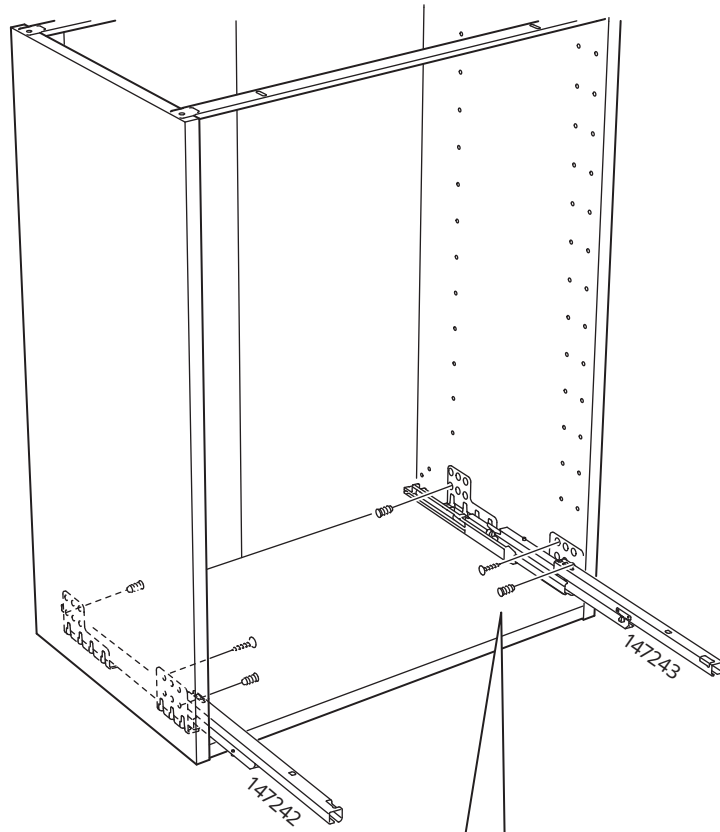
10



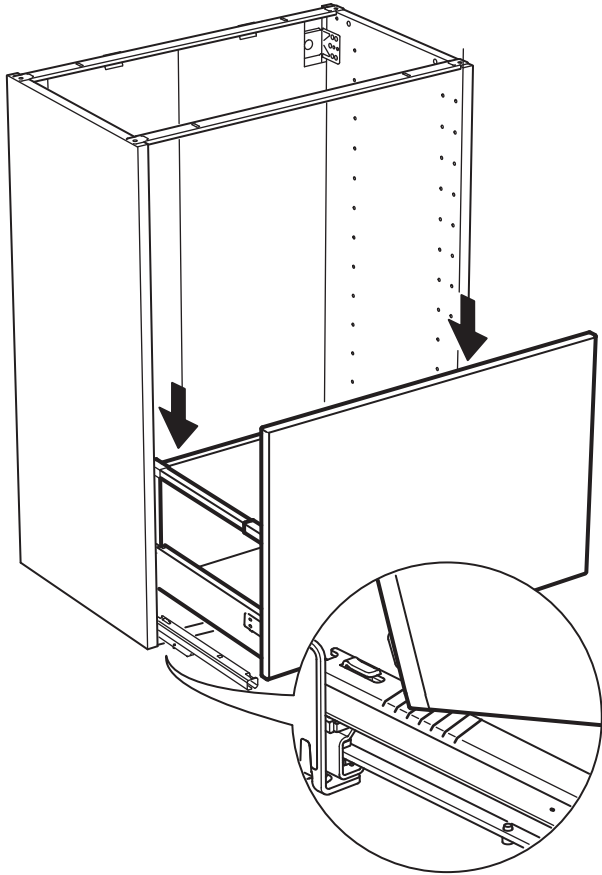
# 11



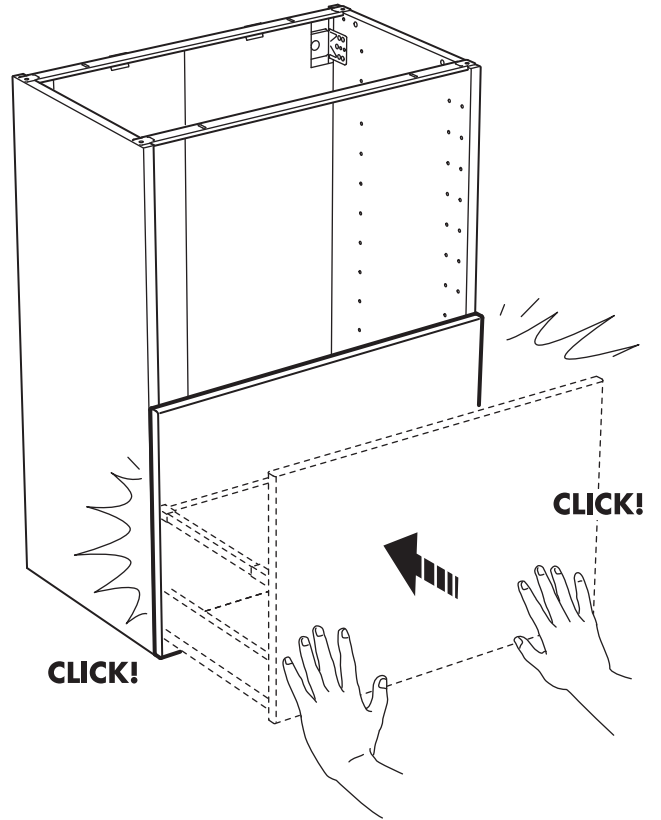
# 12



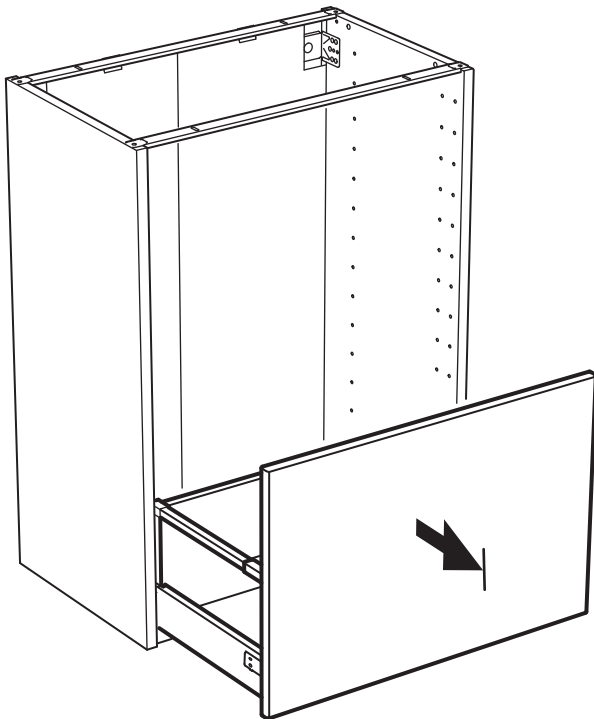
13



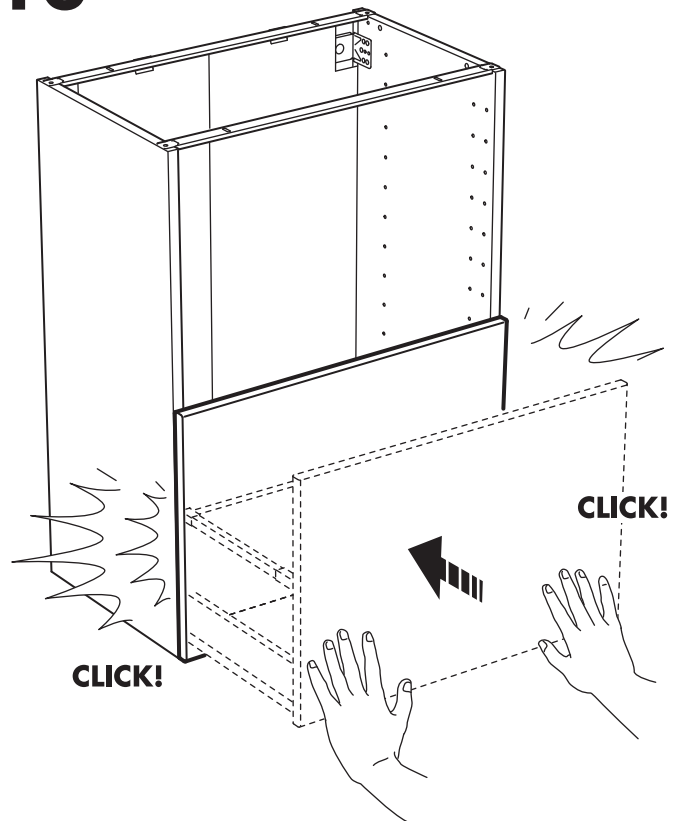
14



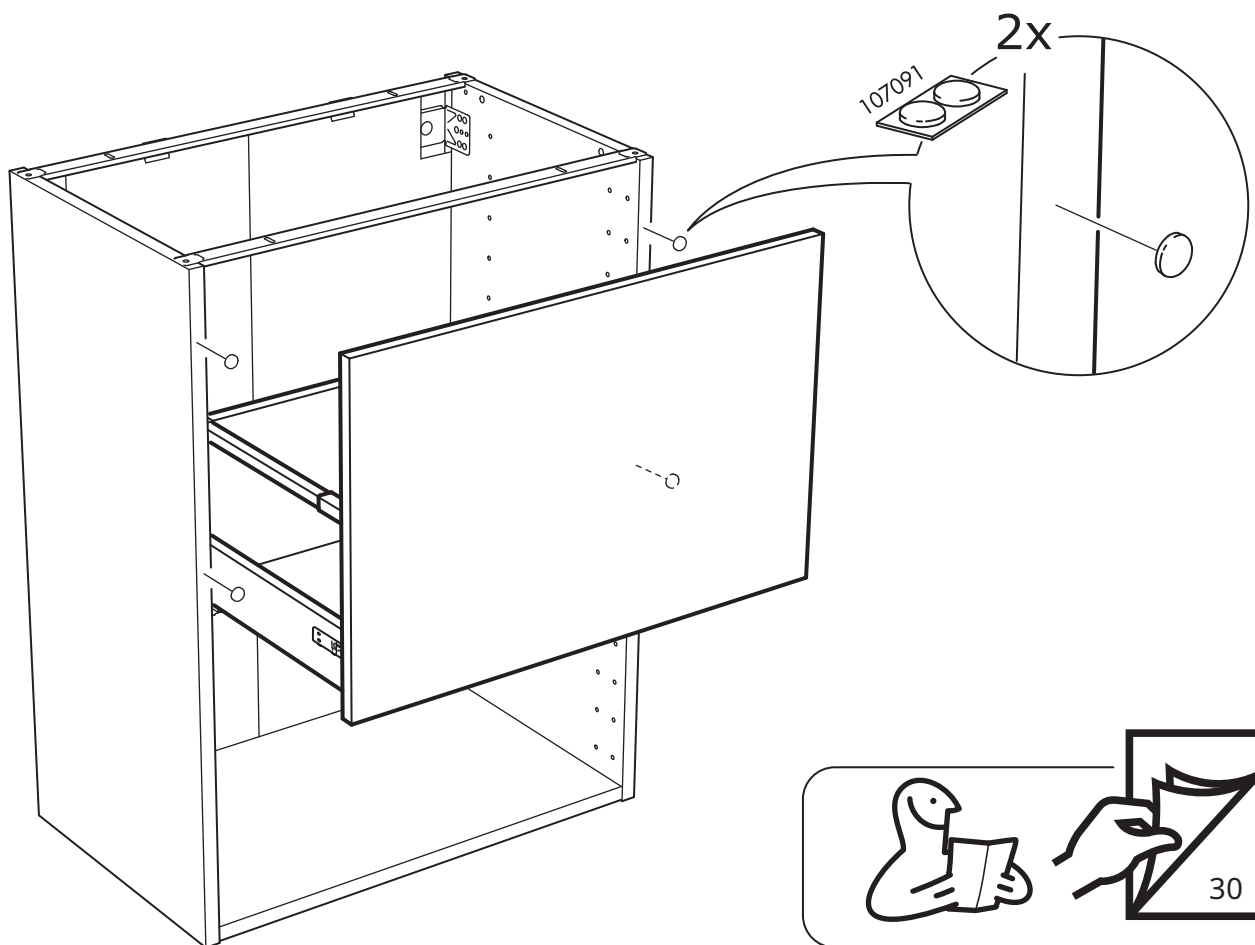
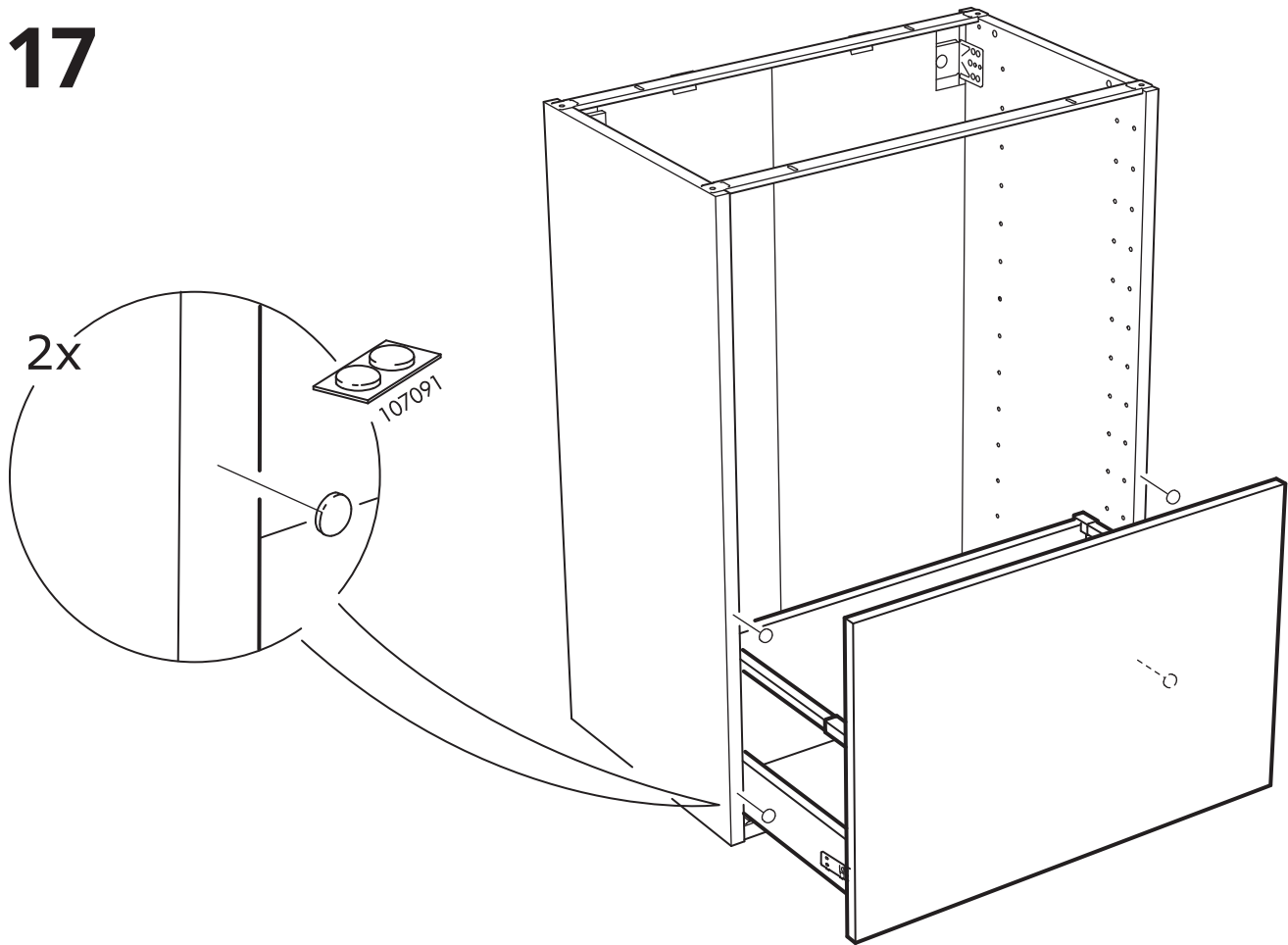
15

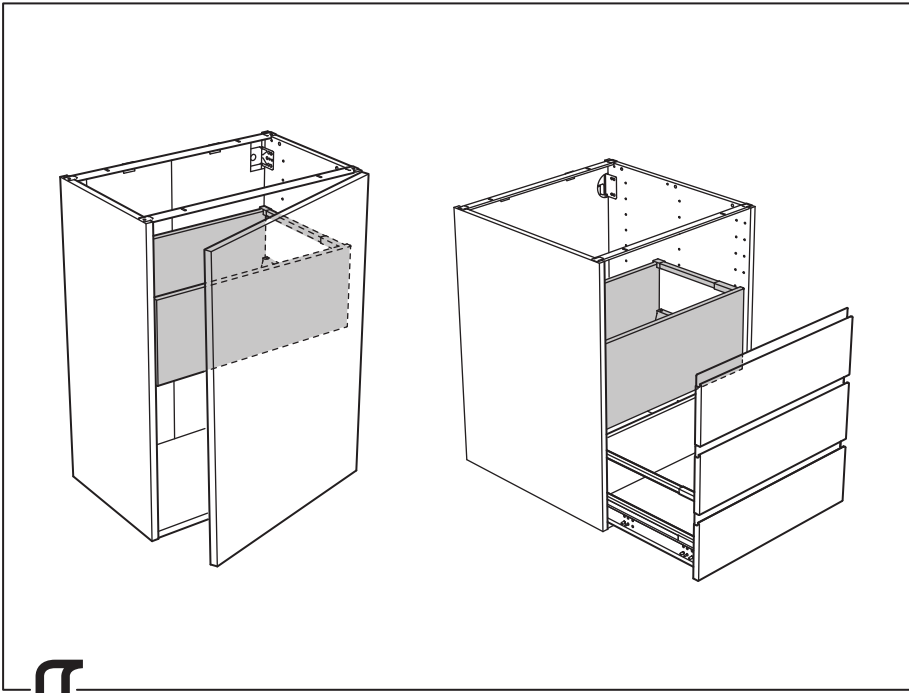


16

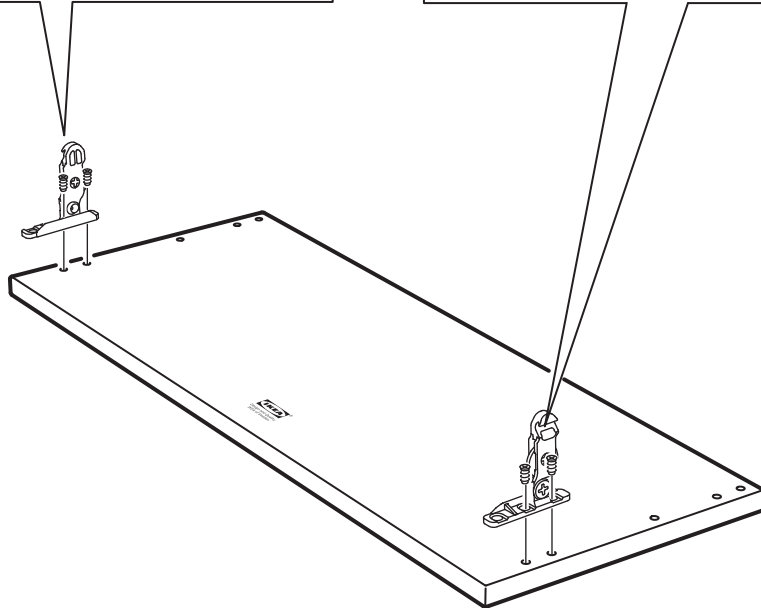
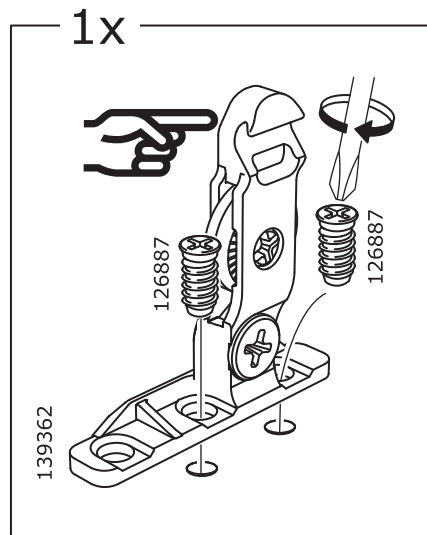
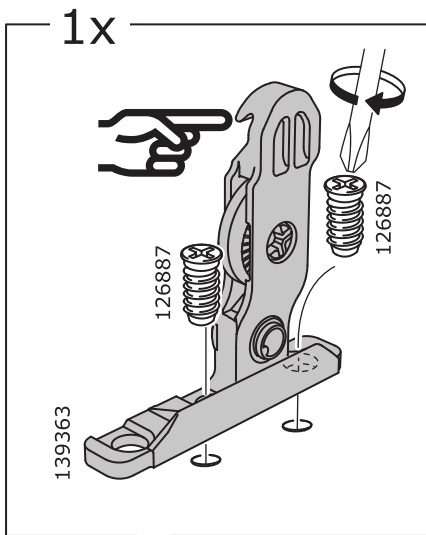


# 17

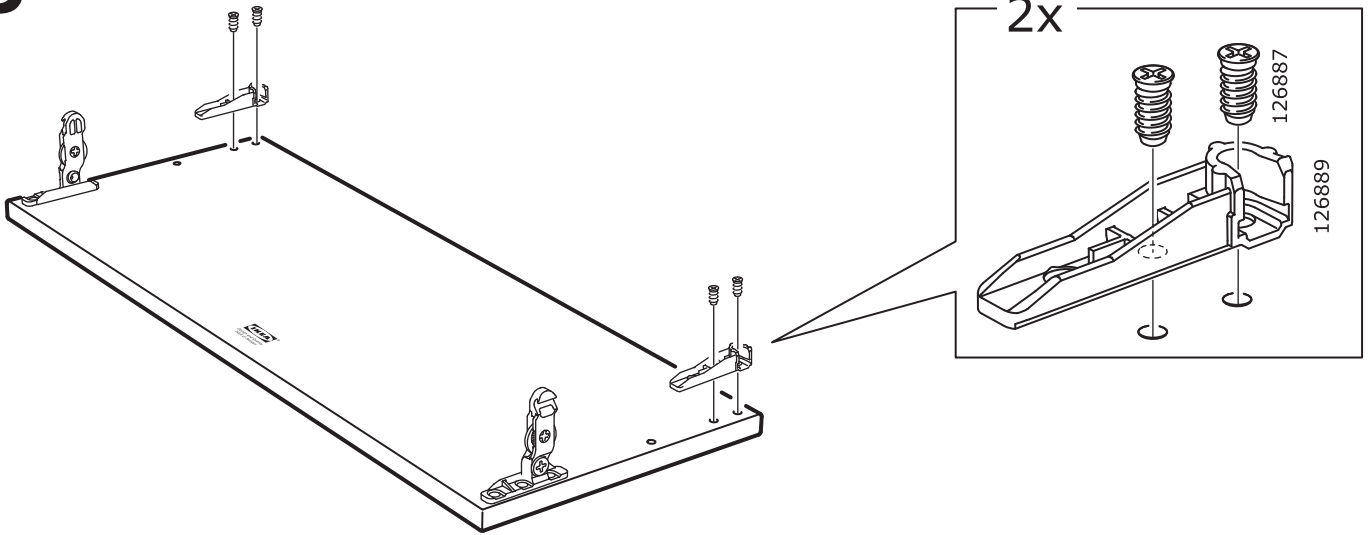




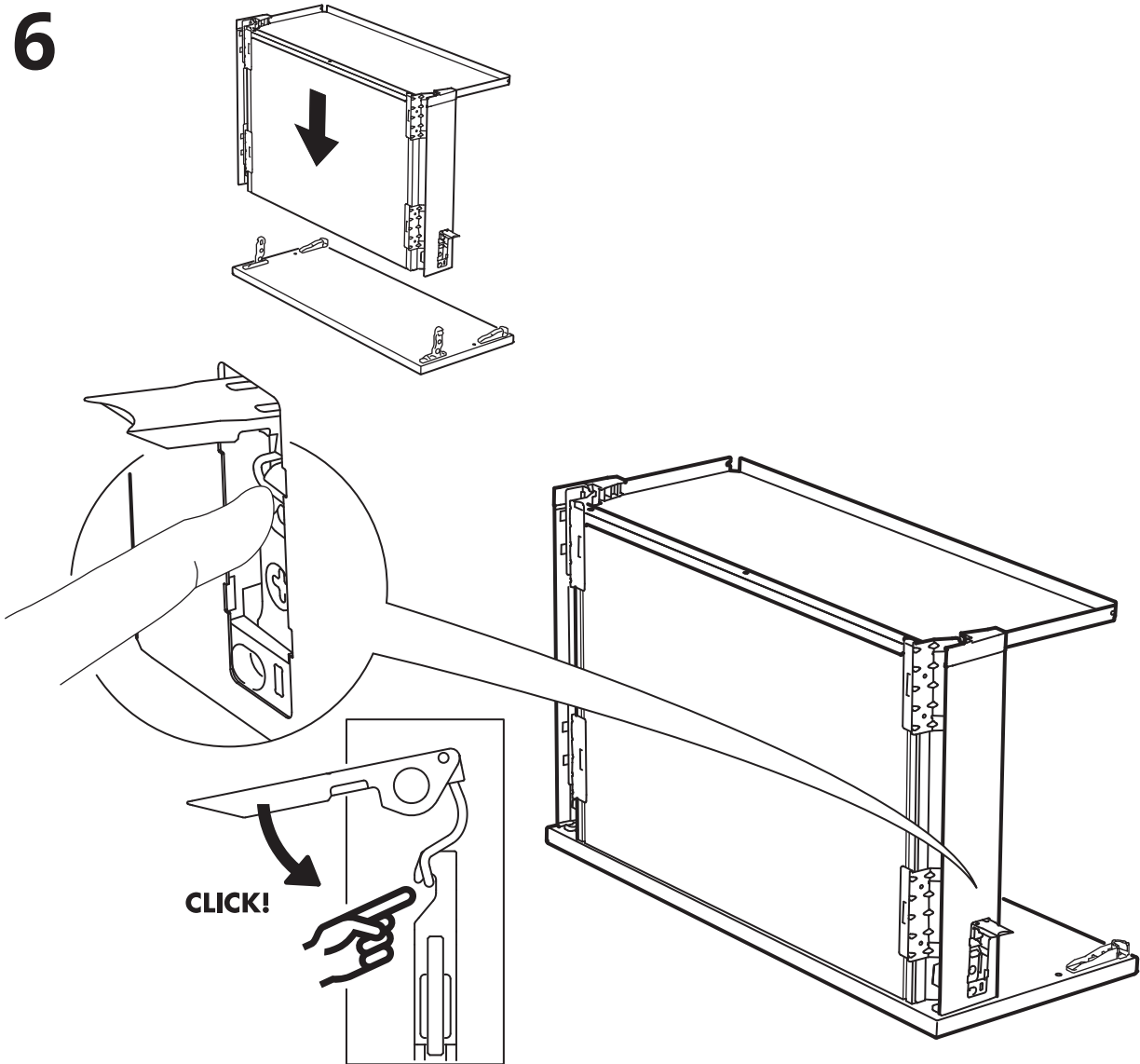
4



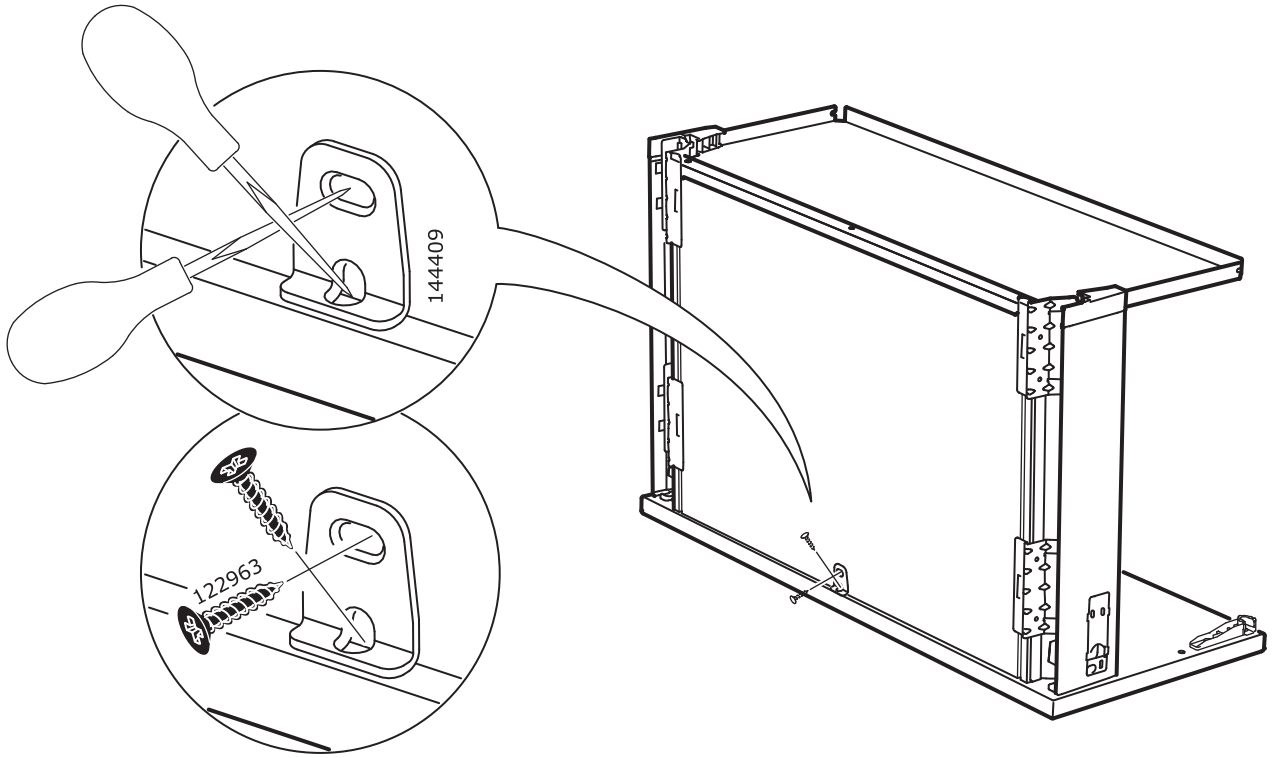
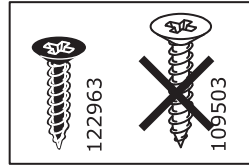
5



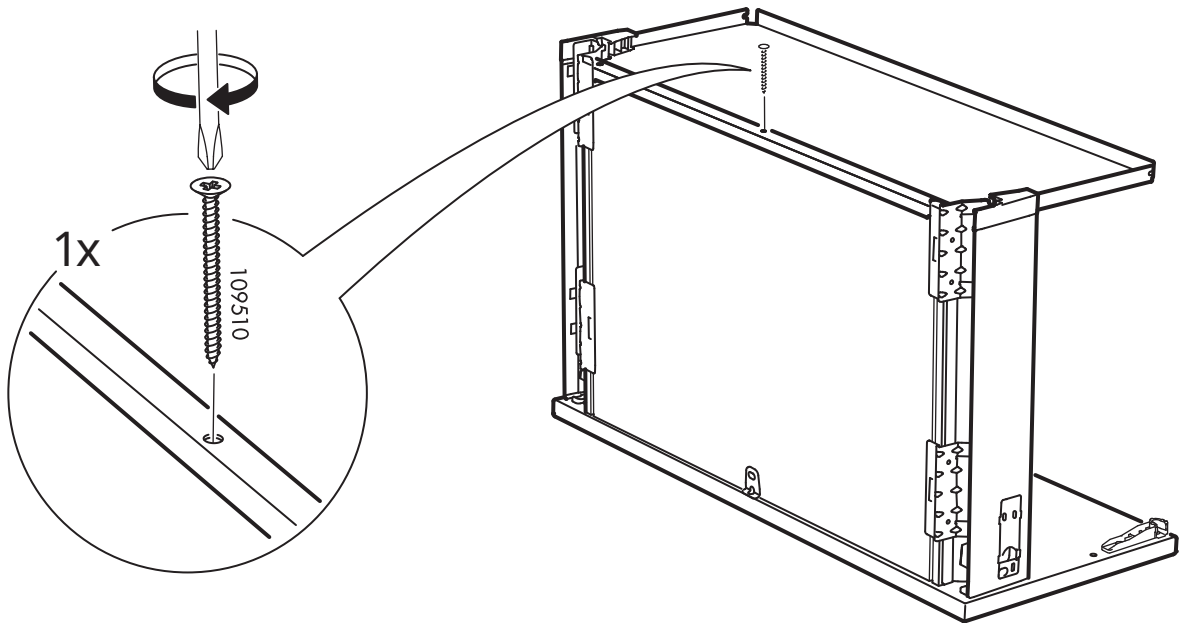
6



7

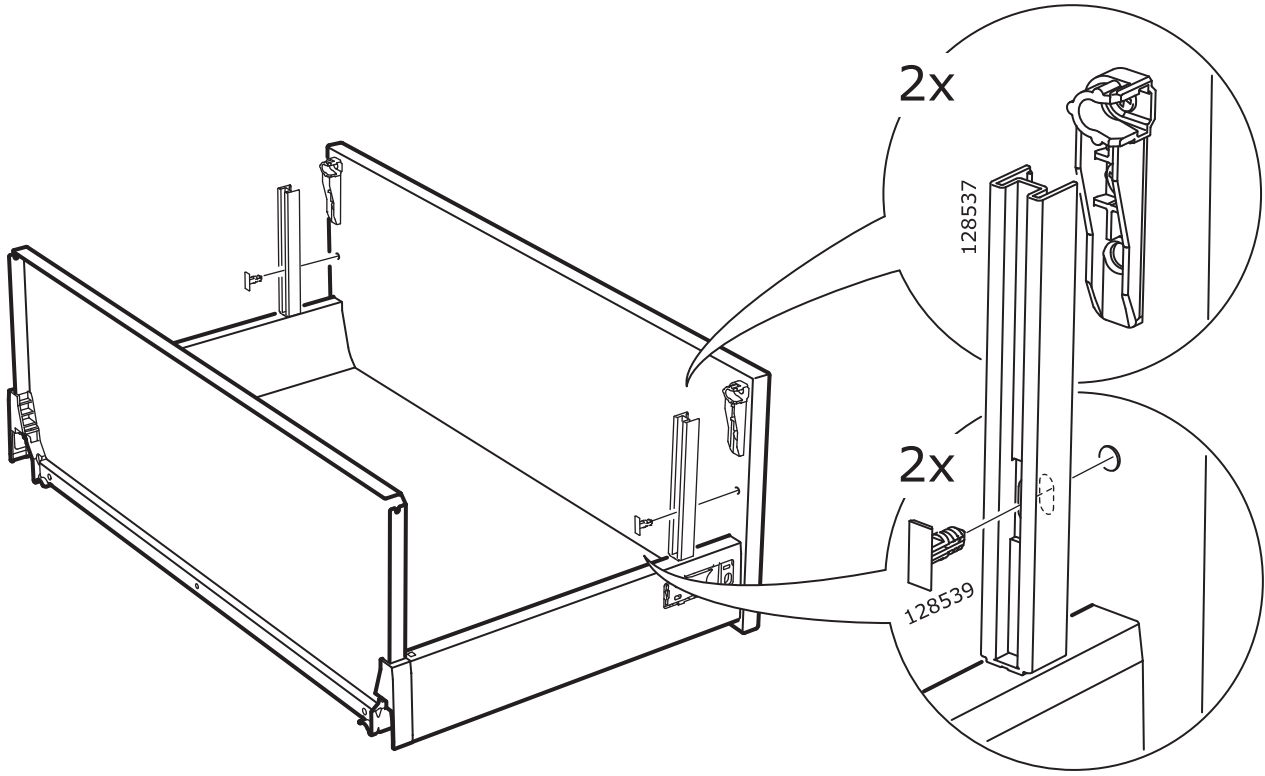


8

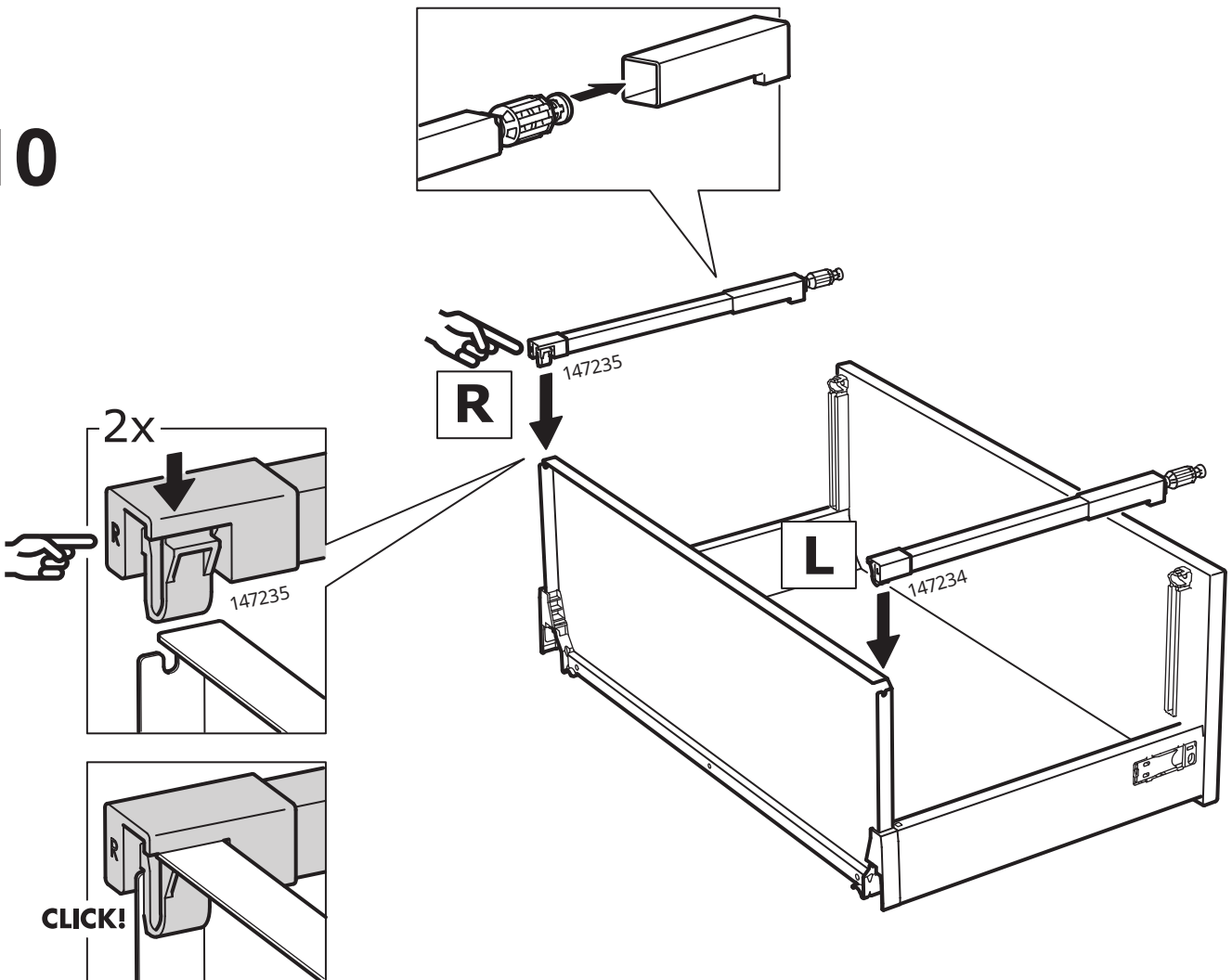




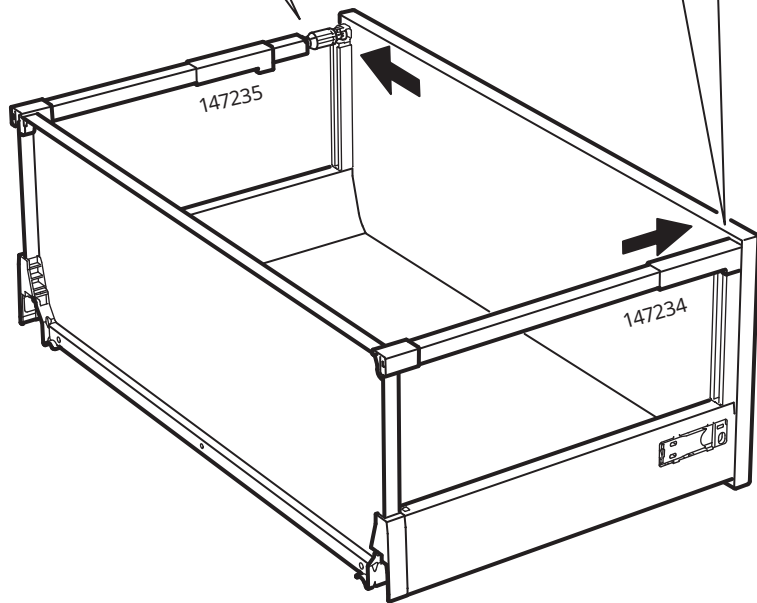
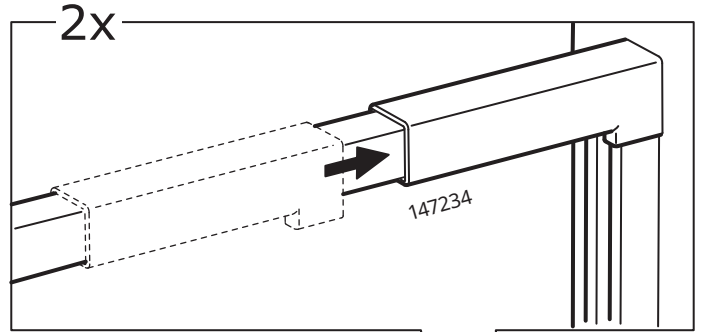
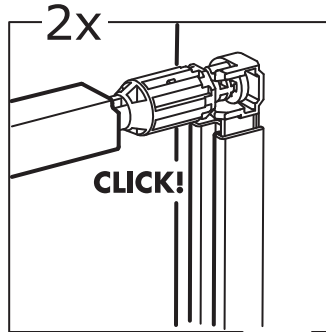
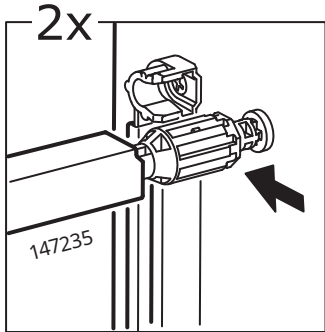
9

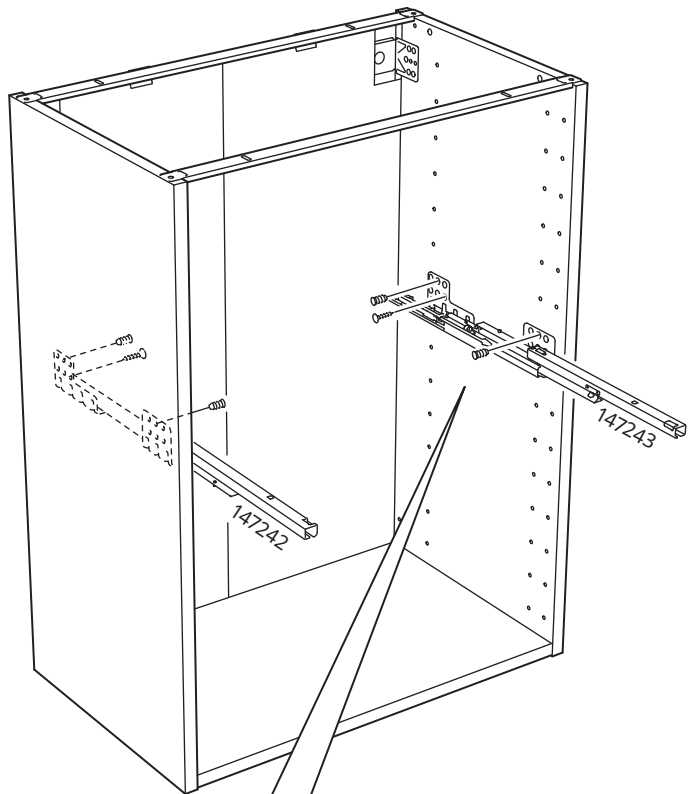
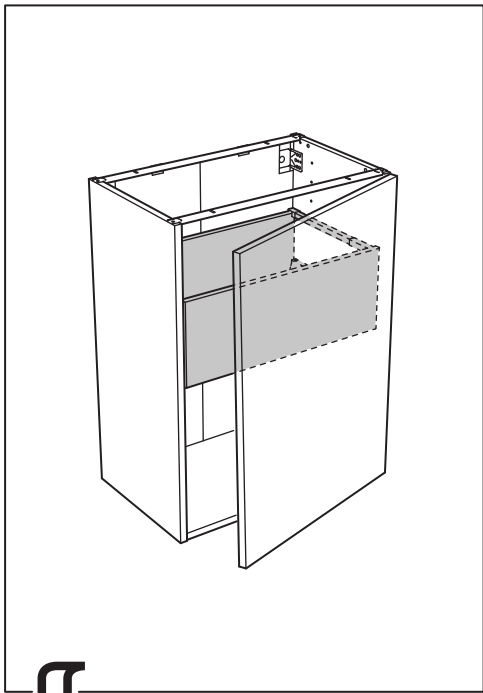


10

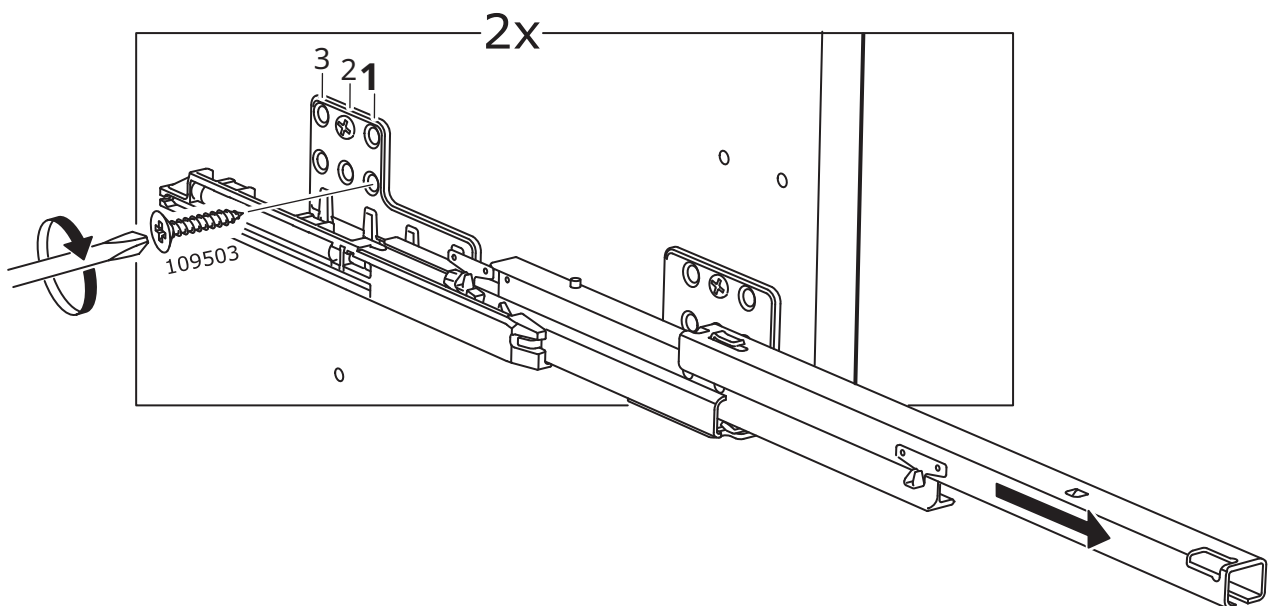
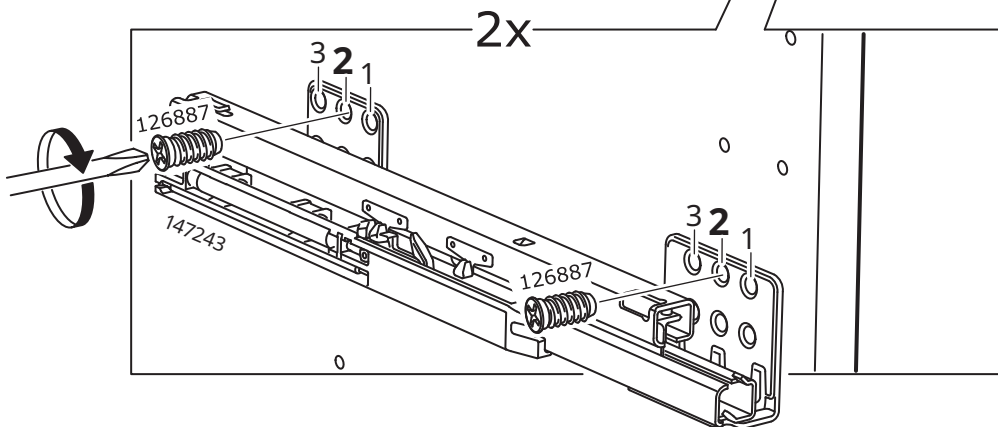


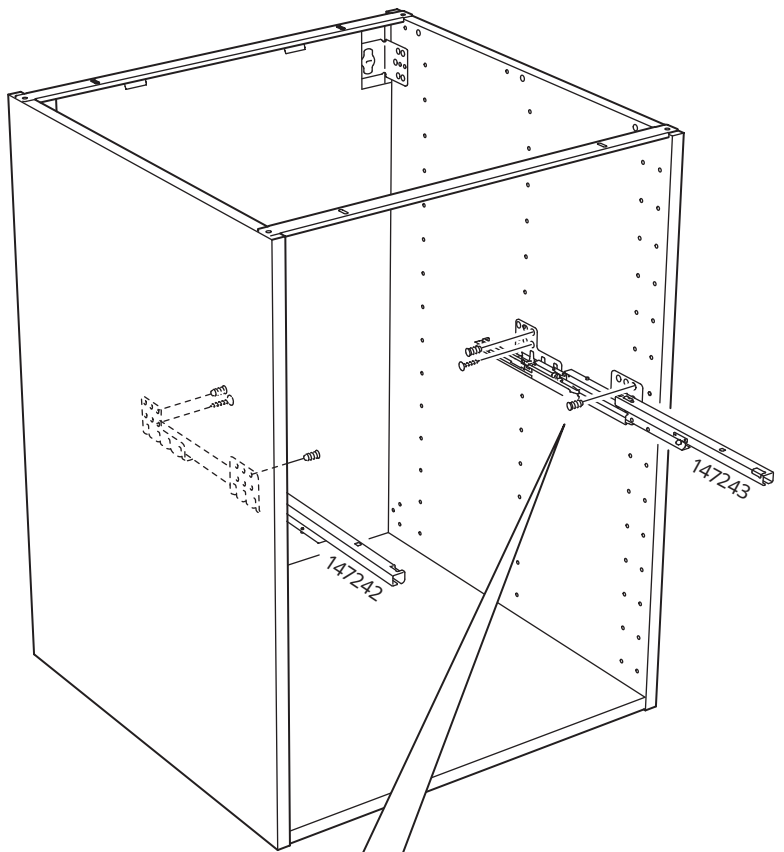
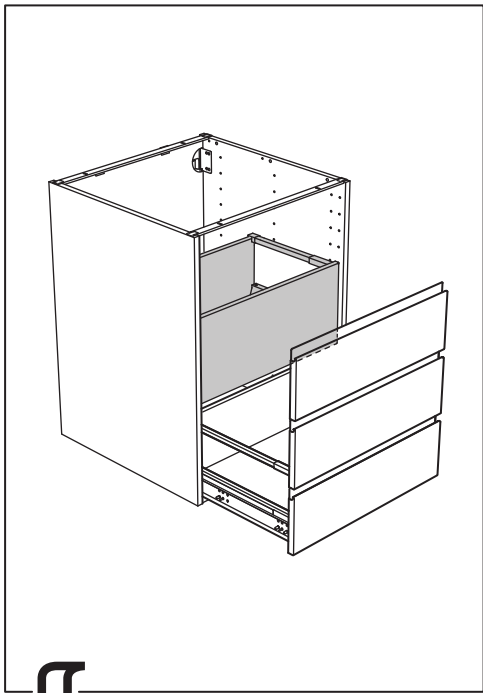
# 11



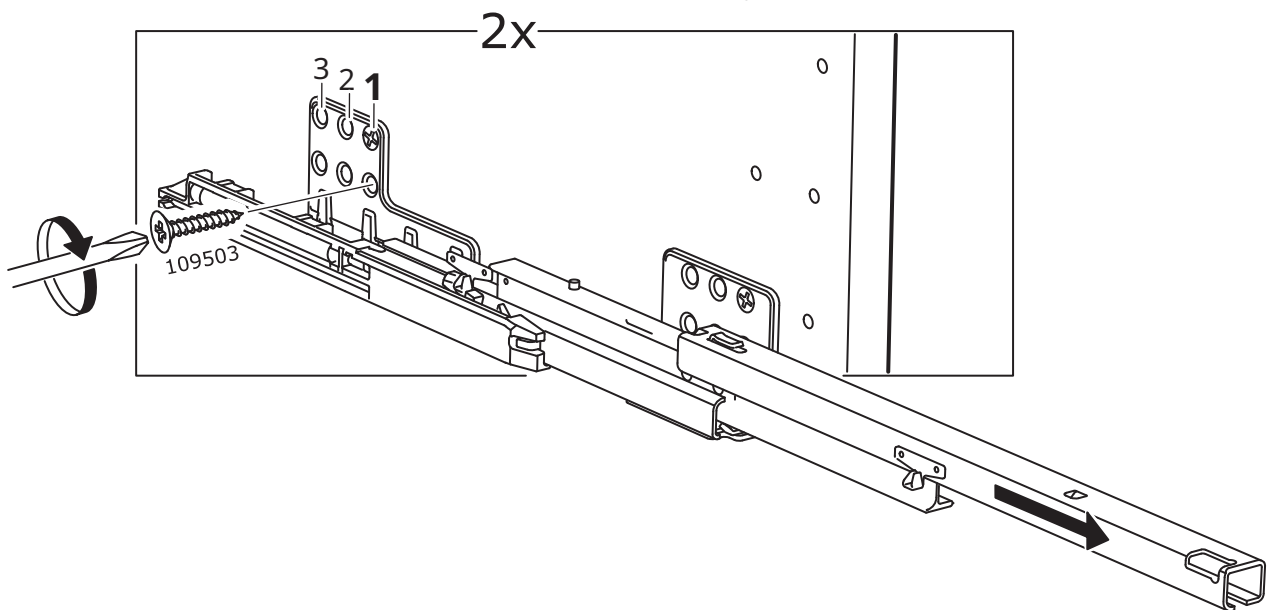
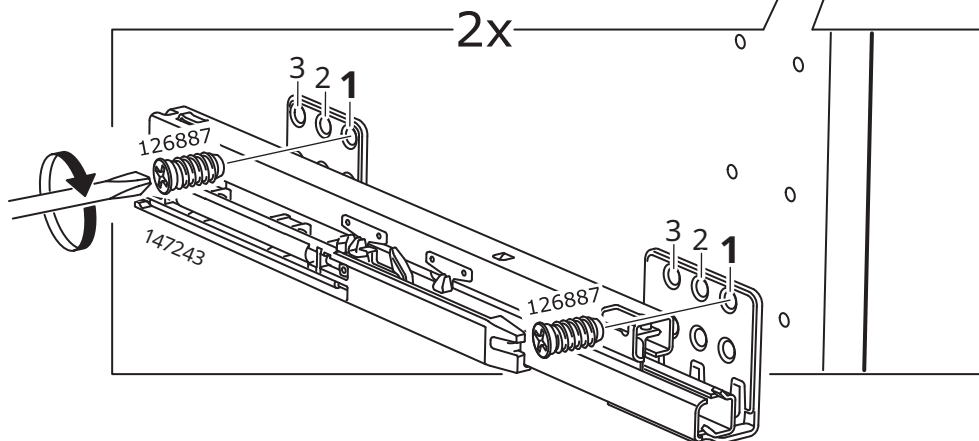


↕  
**12**

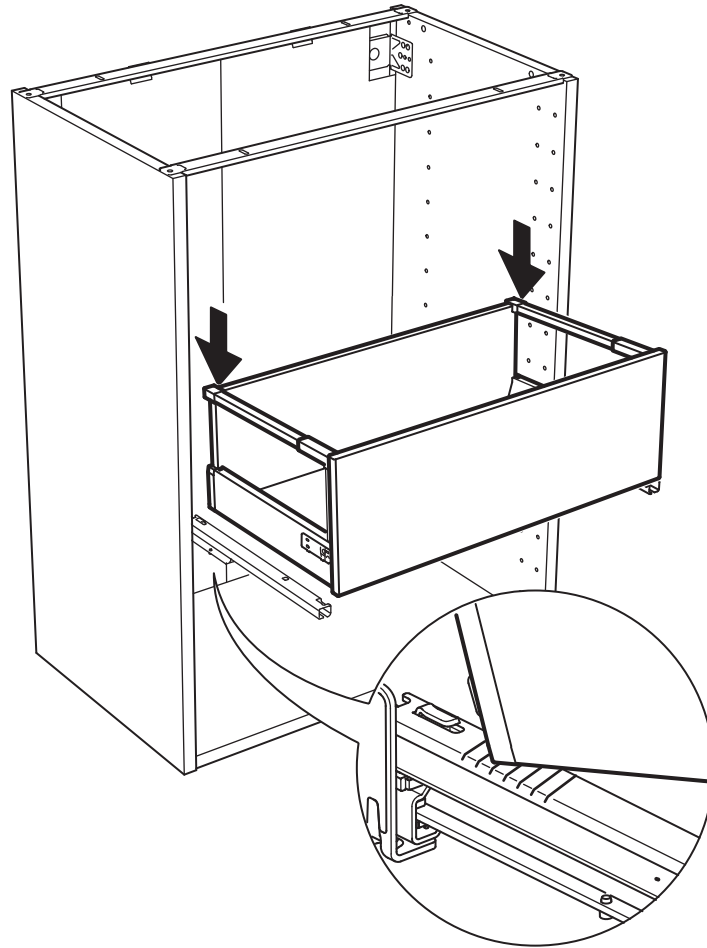




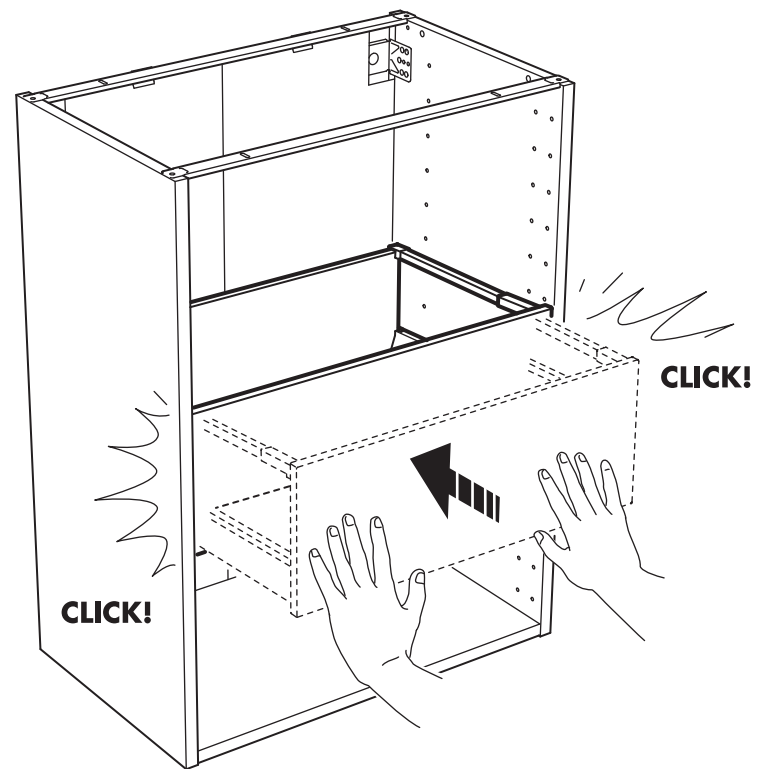
12

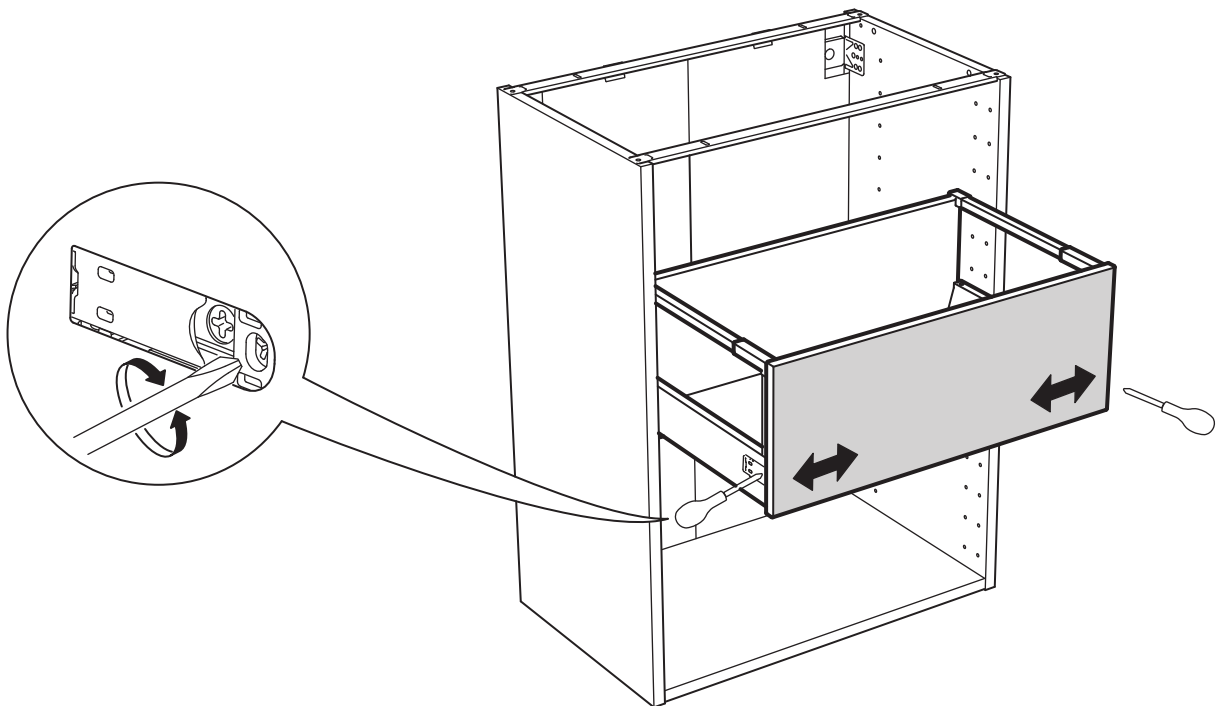
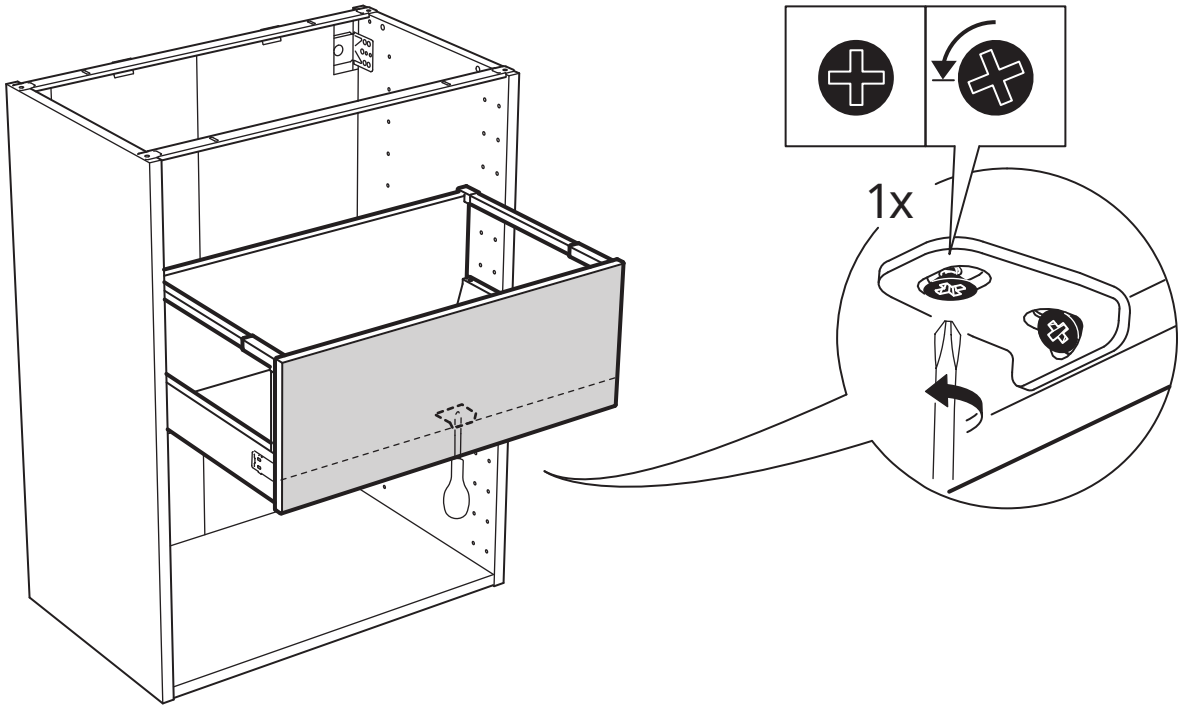
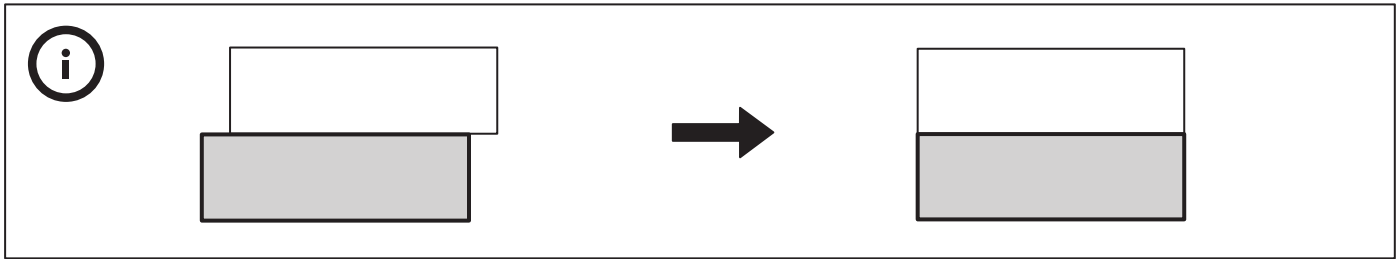


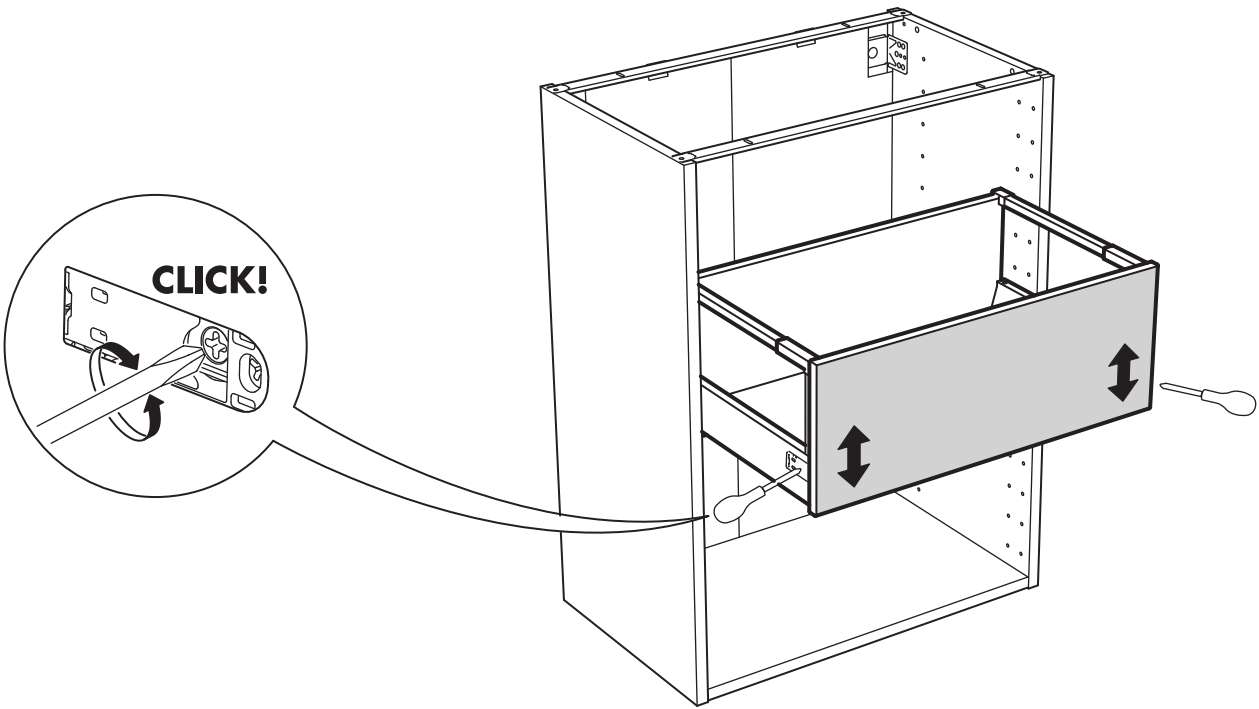
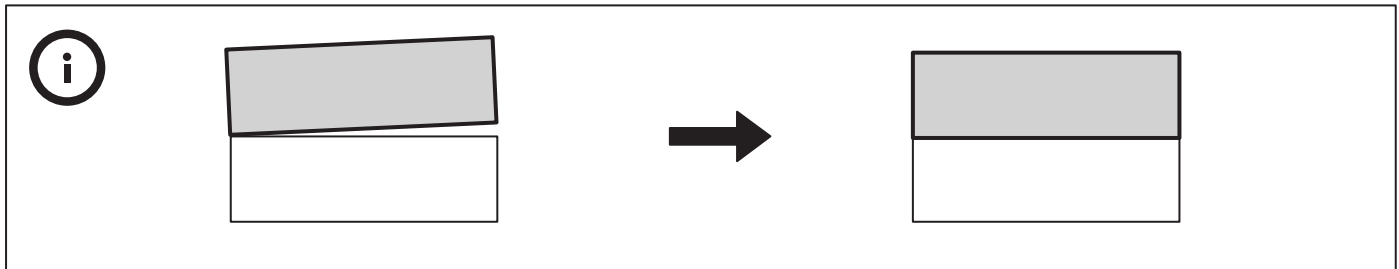
13



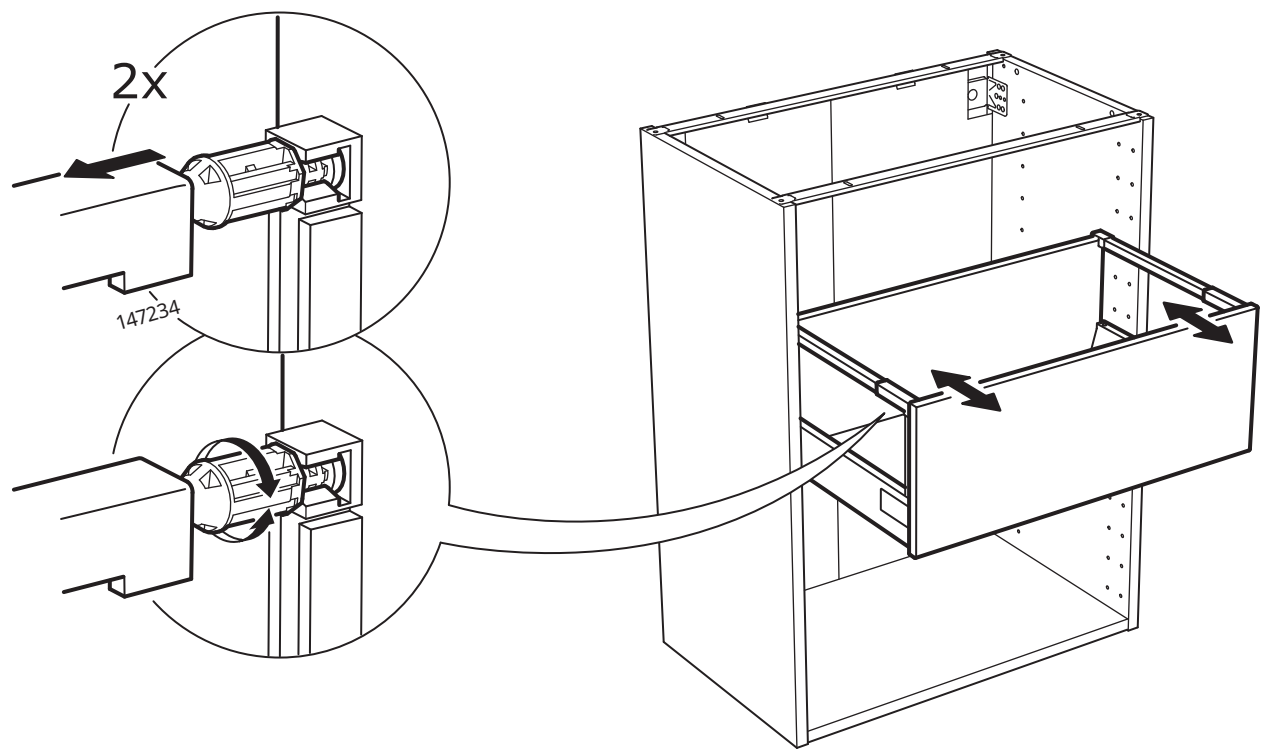
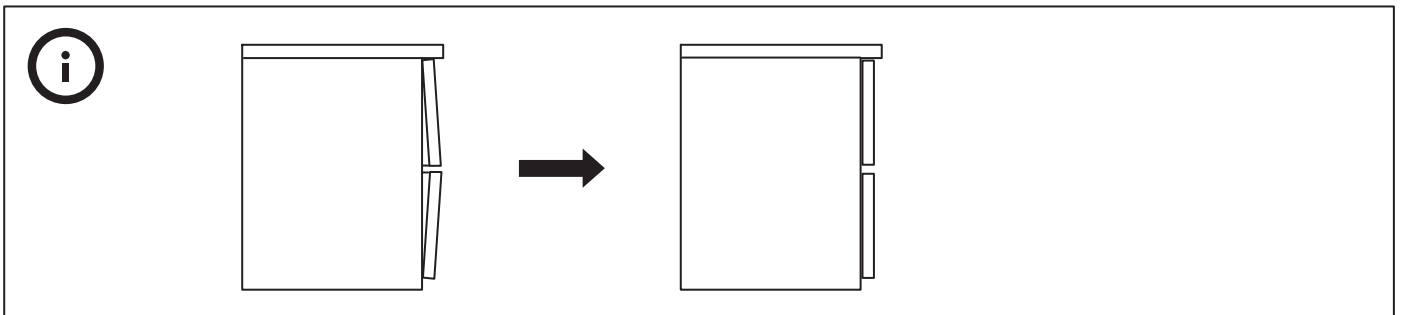
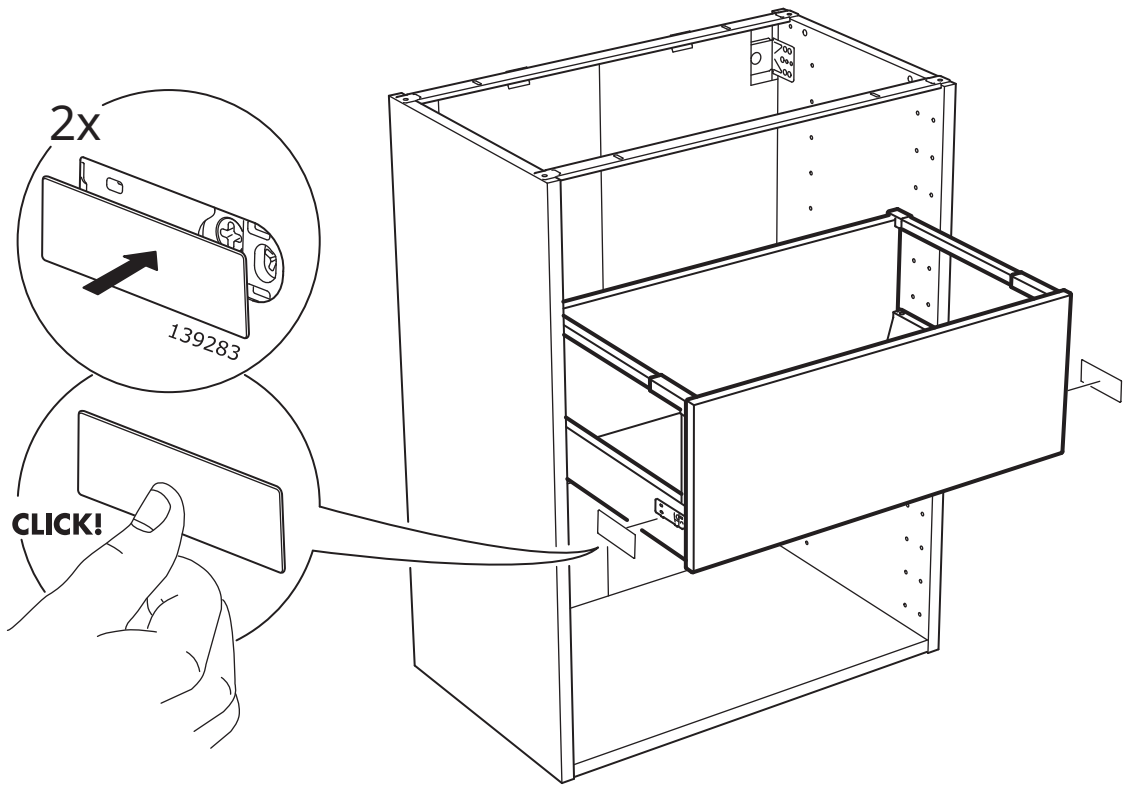
14



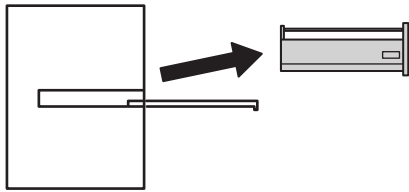




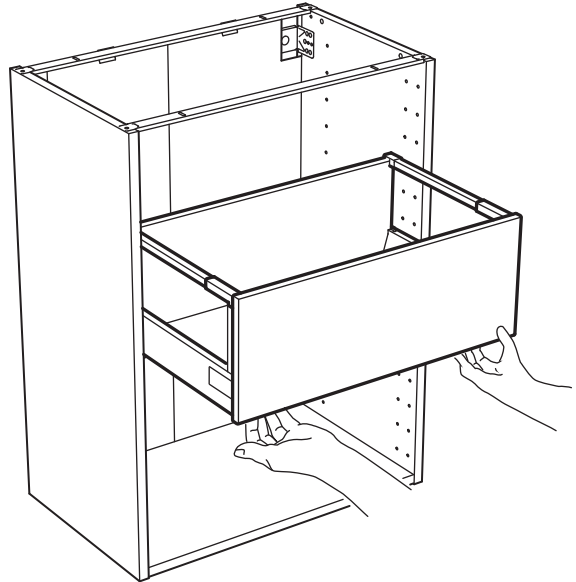
# 18



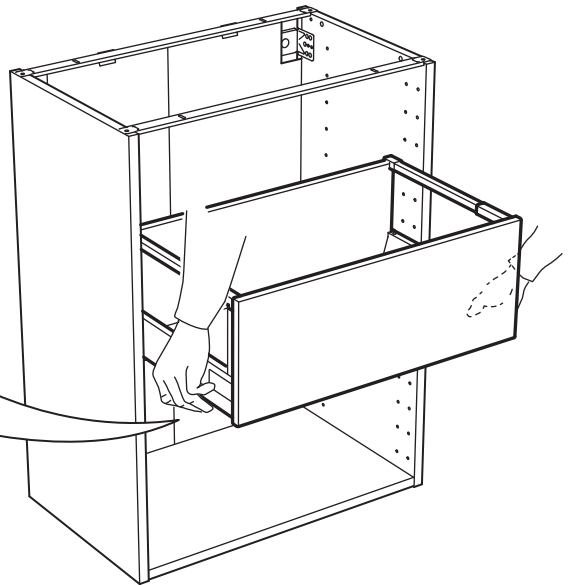




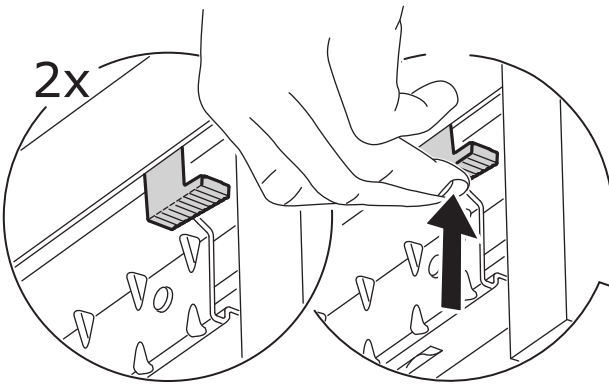
1



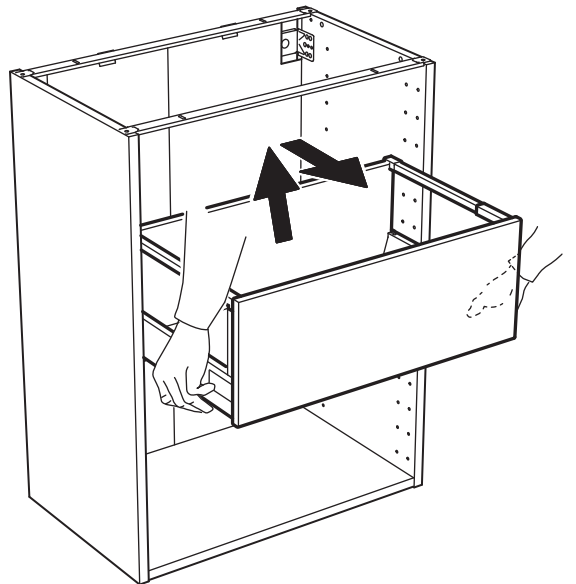
2

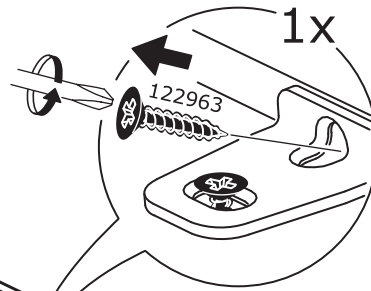
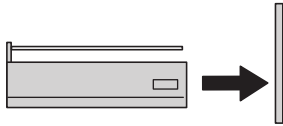


2x

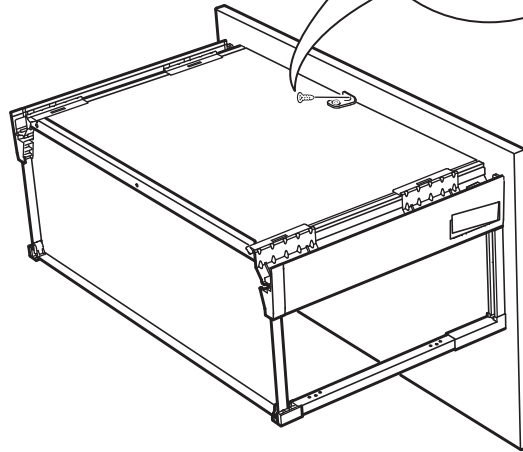


3

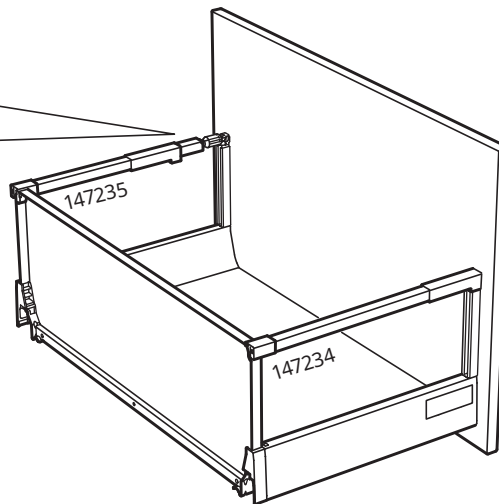
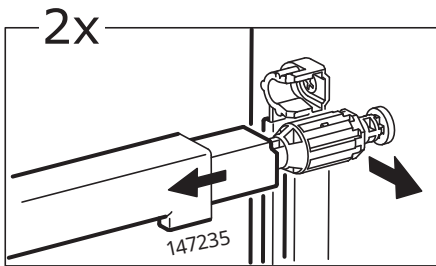




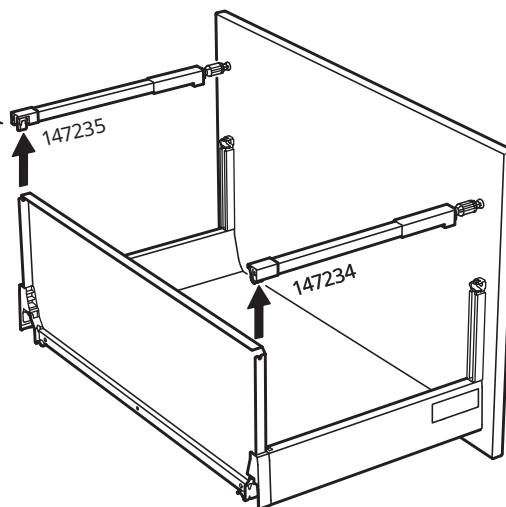
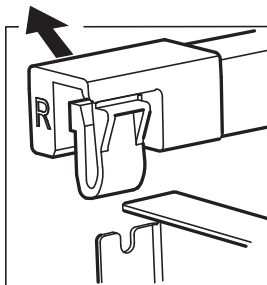
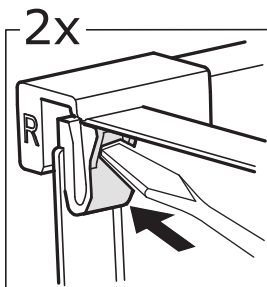
1



2

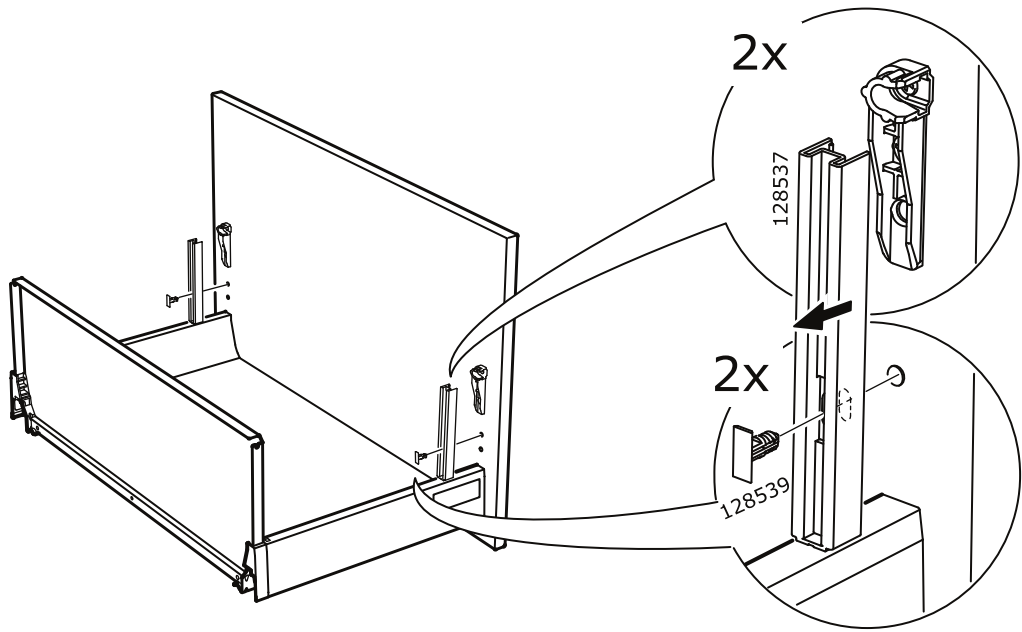


3





4



5

