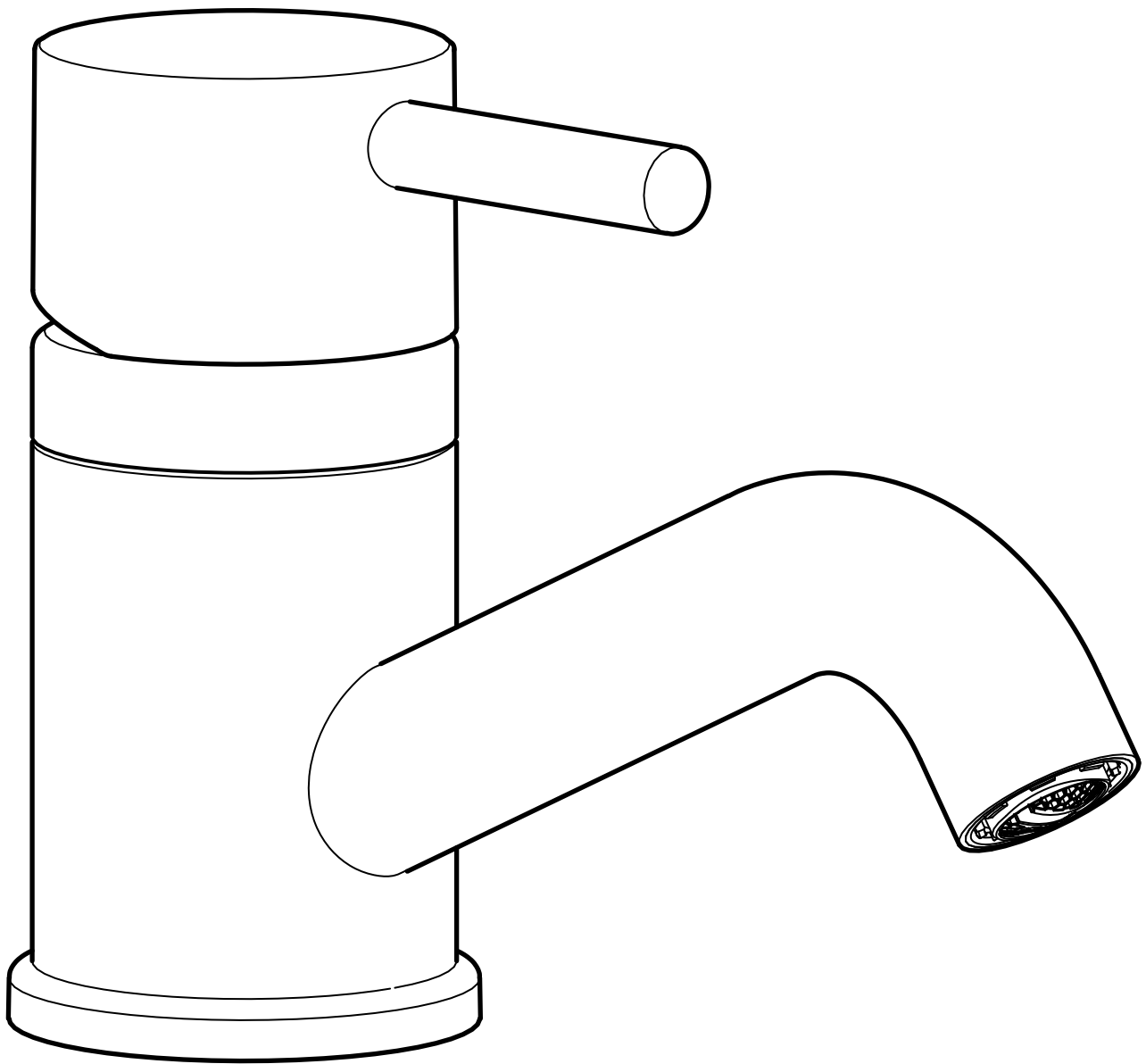


PILKÅN



Design and Quality
IKEA of Sweden



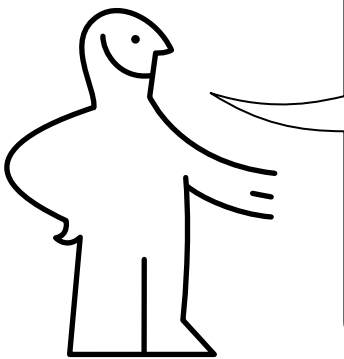
English

Installation must be performed in compliance with current local construction and plumbing regulations. If in doubt, contact a professional.

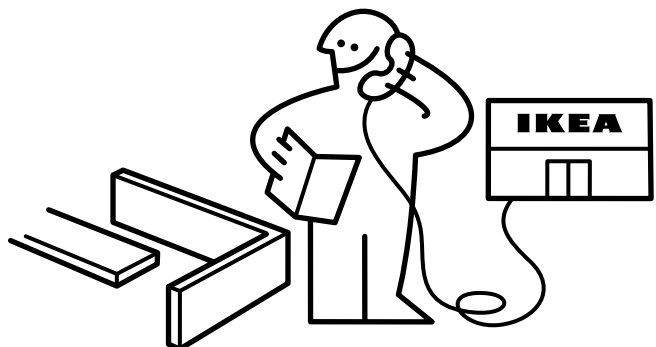
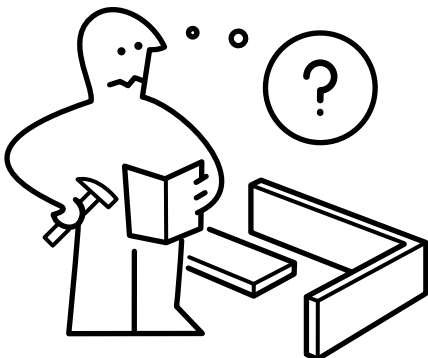


English

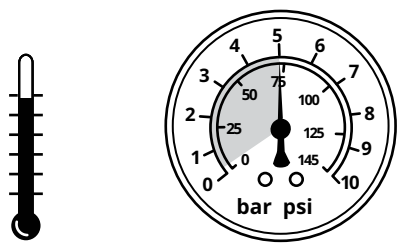
Switch off main shut-off valve before changing mixer tap.



2x



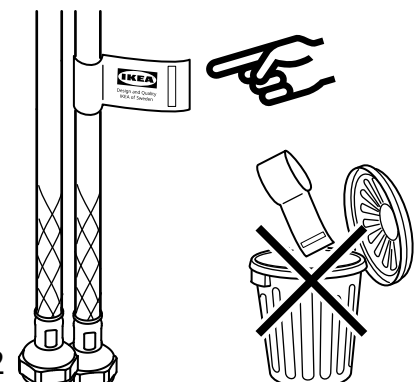
i





Max. 60°C ☺
Max. 80°C

0,2 - 5 bar ☺
0,1 - 10 bar

i

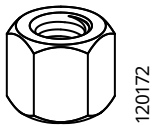


G1/2

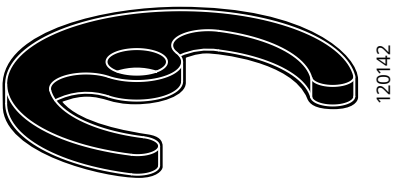
Max. 60°C ☺
Max. 80°C

0,5 - 5 bar ☺
0,2 - 10 bar



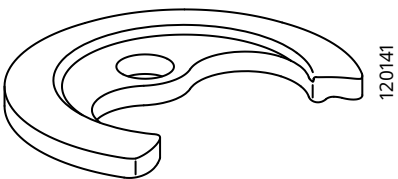
120172

1x



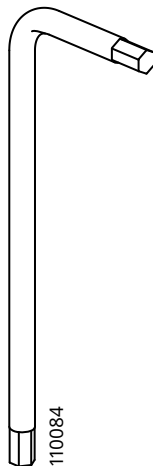
120142

1x



120141

1x



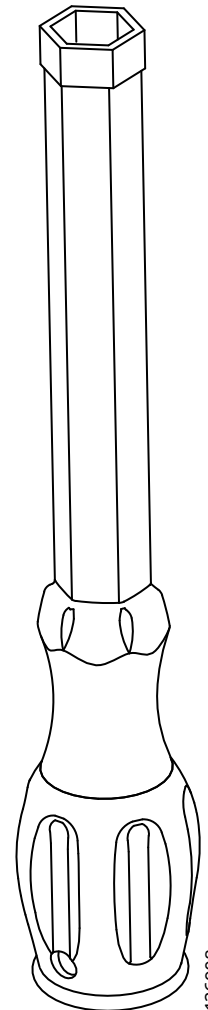
110084

1x



120143

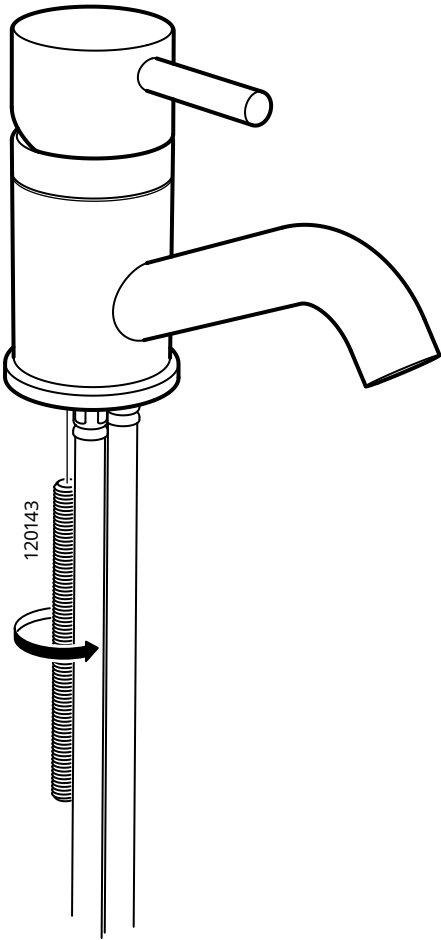
1x



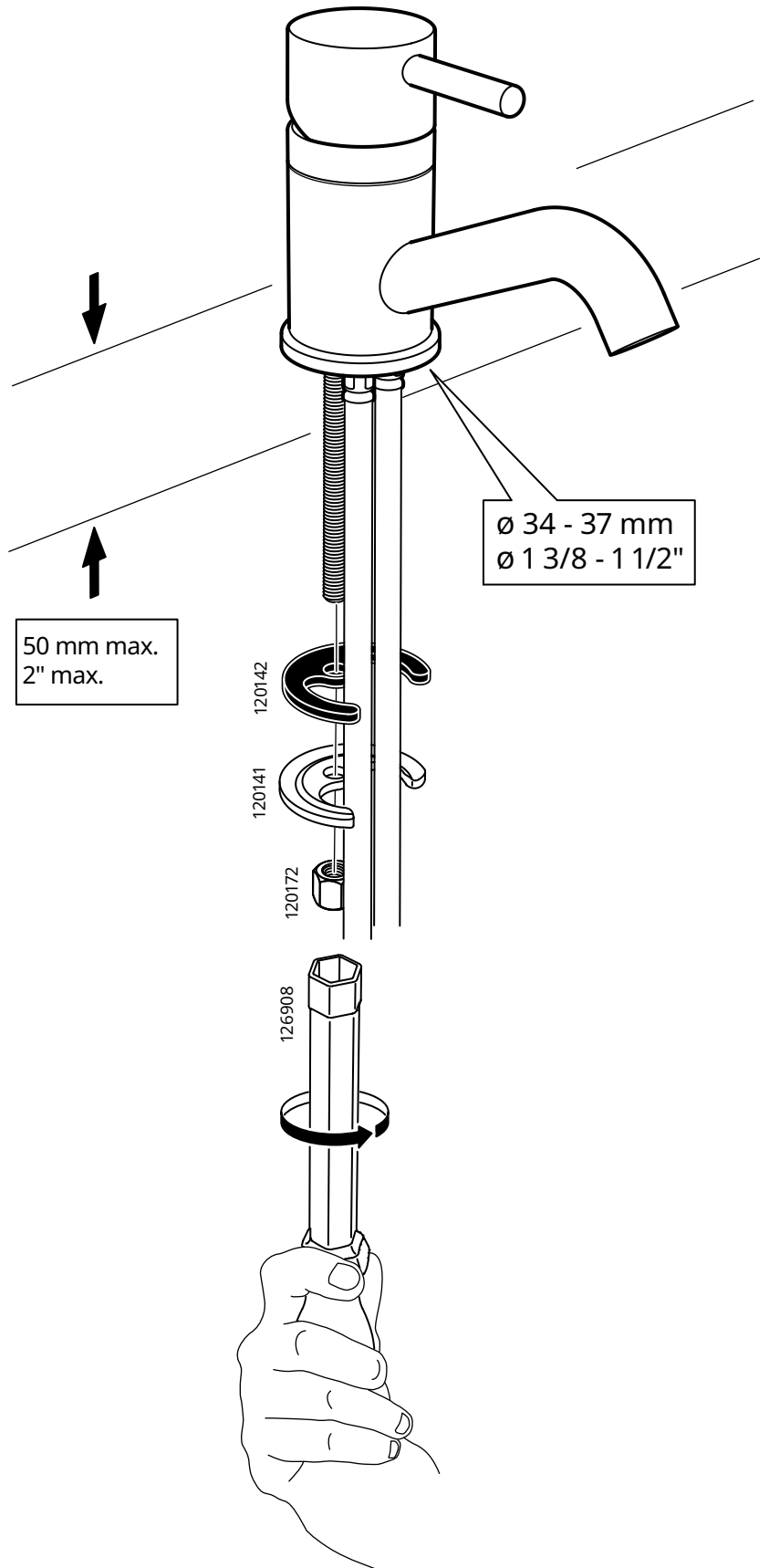
126908

1x

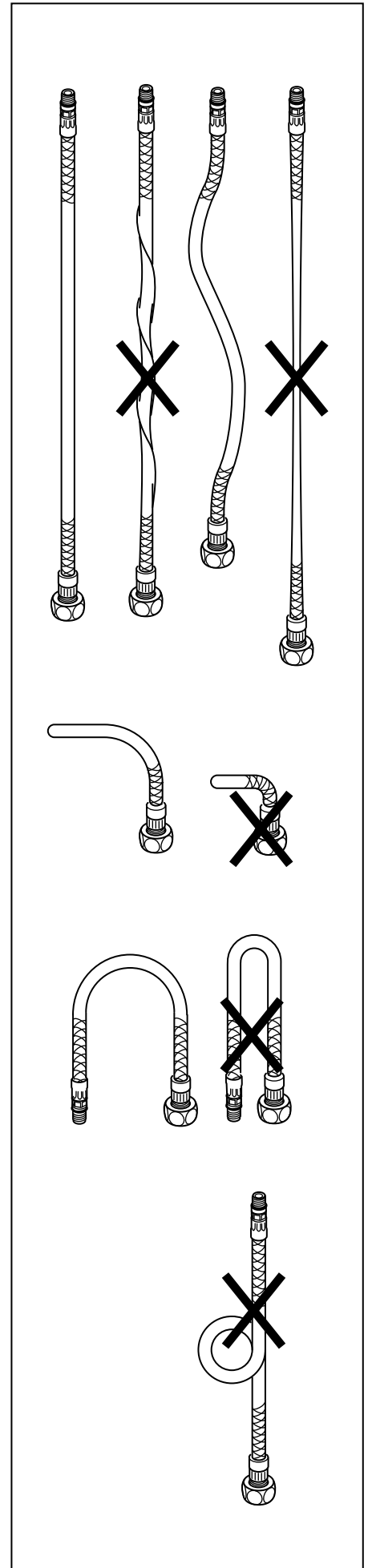
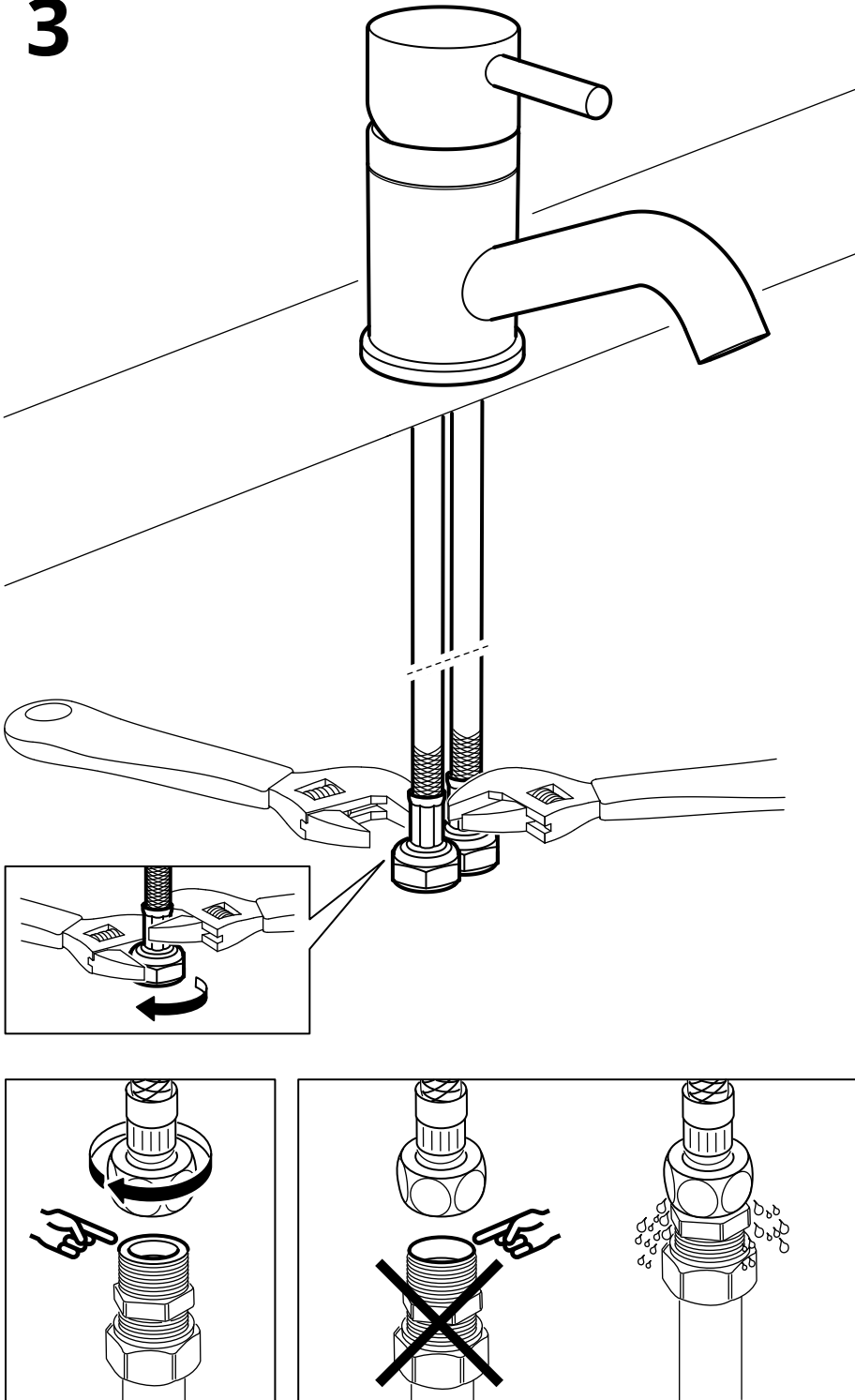
1



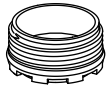
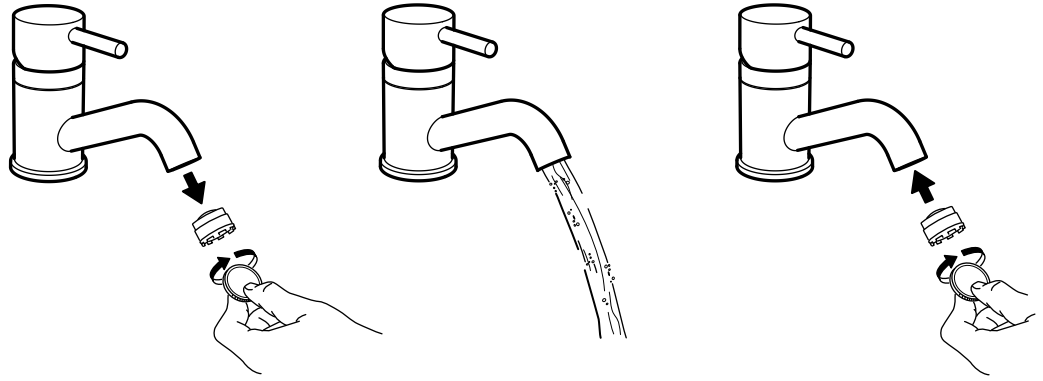
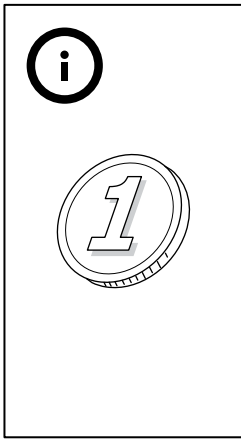
2



3



English
IMPORTANT! Do not tighten too hard: this can damage hoses/pipes and washers.



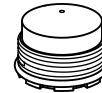
10004080
Pre-fitted
Low pressure



124607
High pressure



124607
Pre-fitted
High pressure



139268
Low pressure

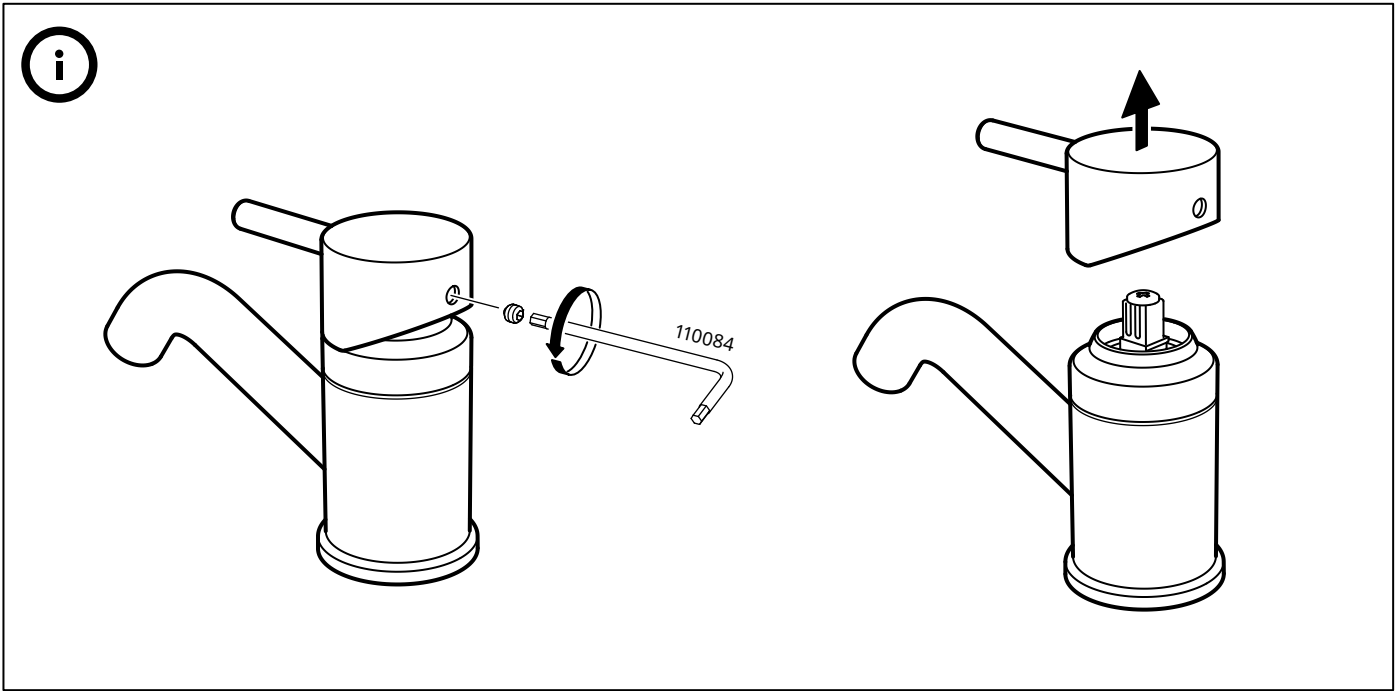
English

Before use: Unscrew the Aerator/Flow Guide with a coin and allow the water to run freely for a few minutes. Then screw the Aerator/Flow Guide back in place up to the stop DO NOT OVER TIGHTEN.



English

Check at regular intervals to make sure that the installation is not leaking.



English

Inlet supply hoses shall be installed where light is excluded.



English

Water supplies shall be at reasonably balanced pressures from a common source (e.g. hot and cold supplies both from the same storage or both from a supply pipe). Where the fitting is supplied from unbalanced supplies (e.g. hot and cold supplies from separate sources) an 'Approved' single check valve or some other no less effective backflow prevention device shall be fitted immediately upstream of both hot and cold water inlets.

