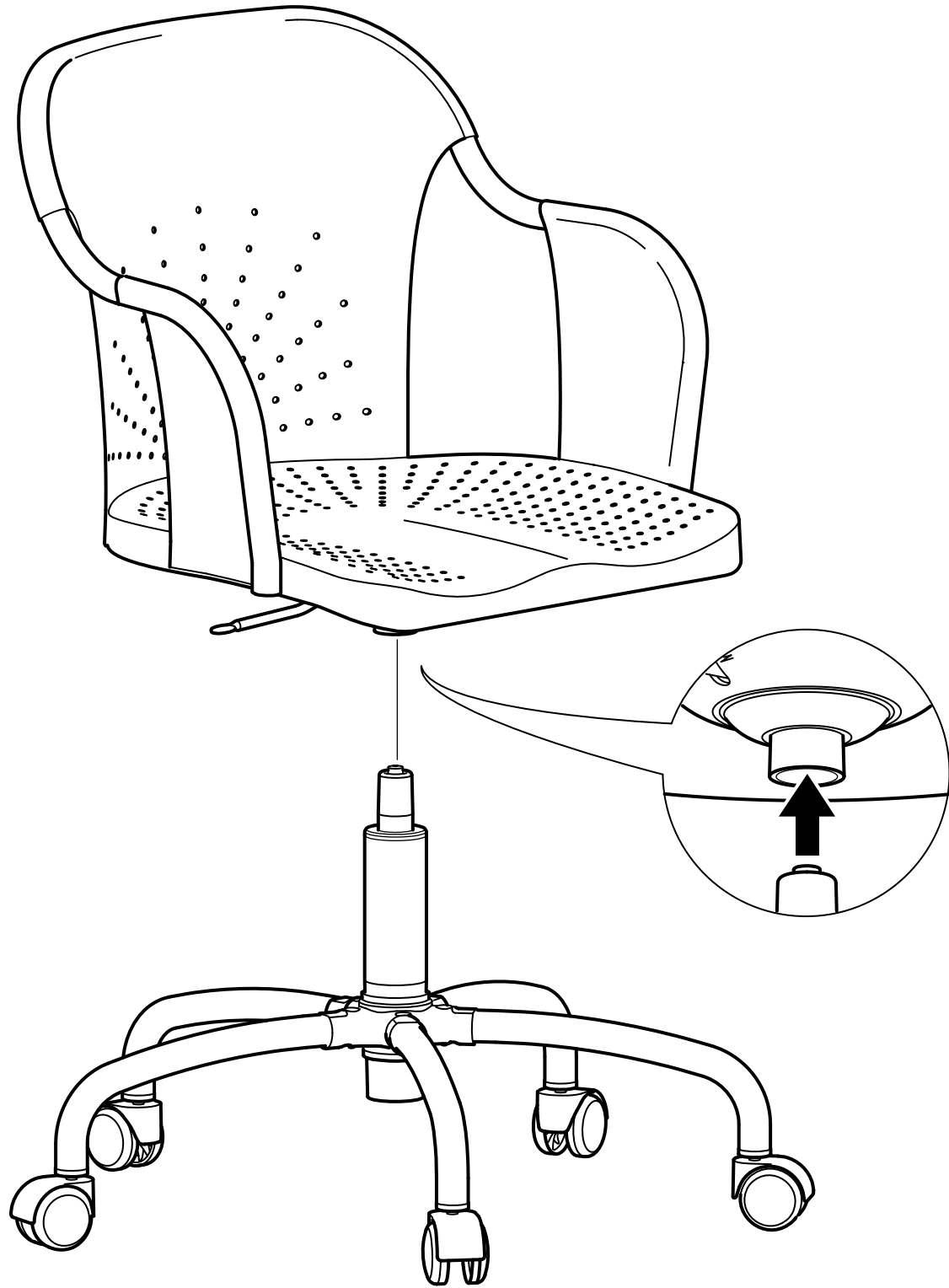


6



ROBERGET

