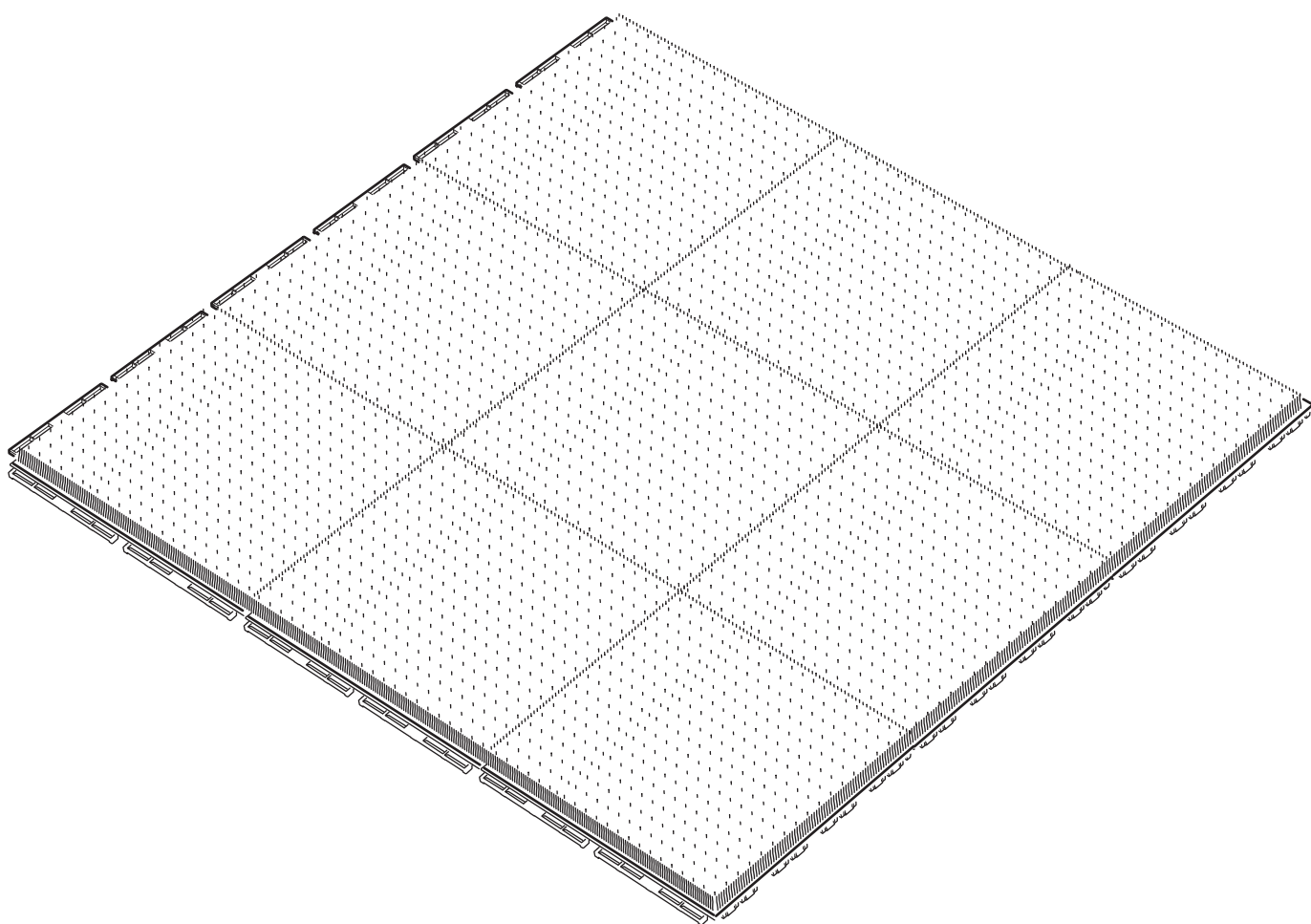
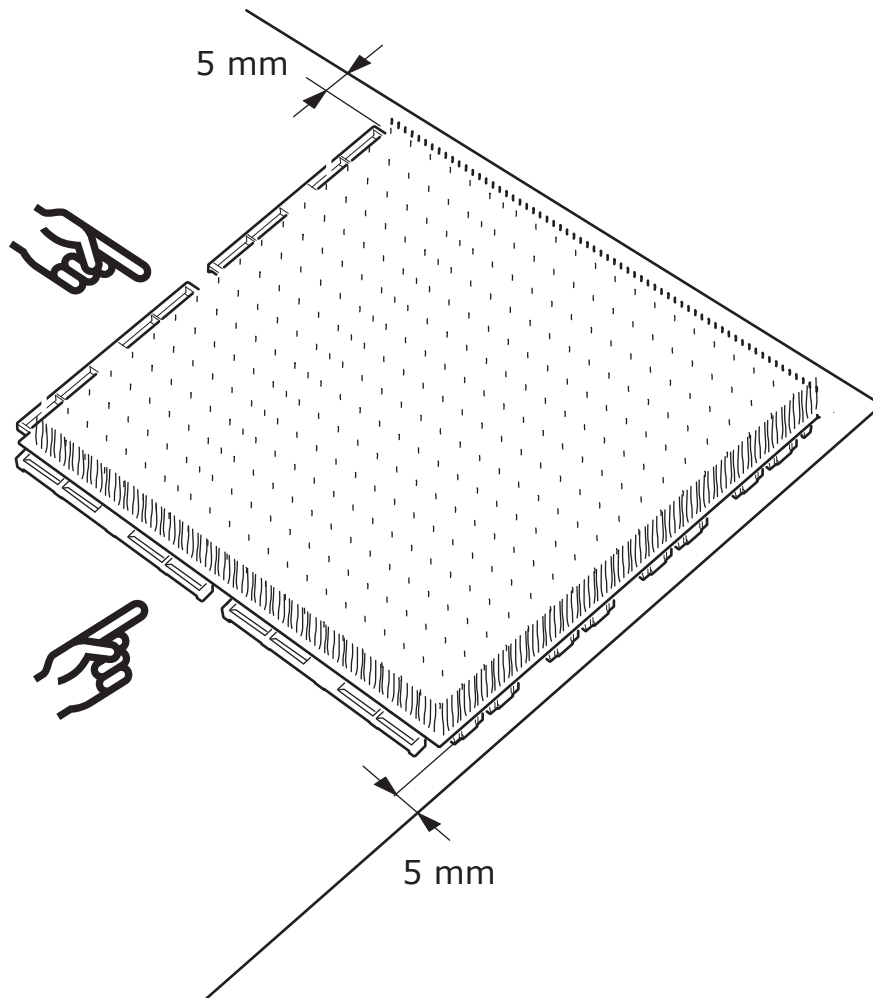
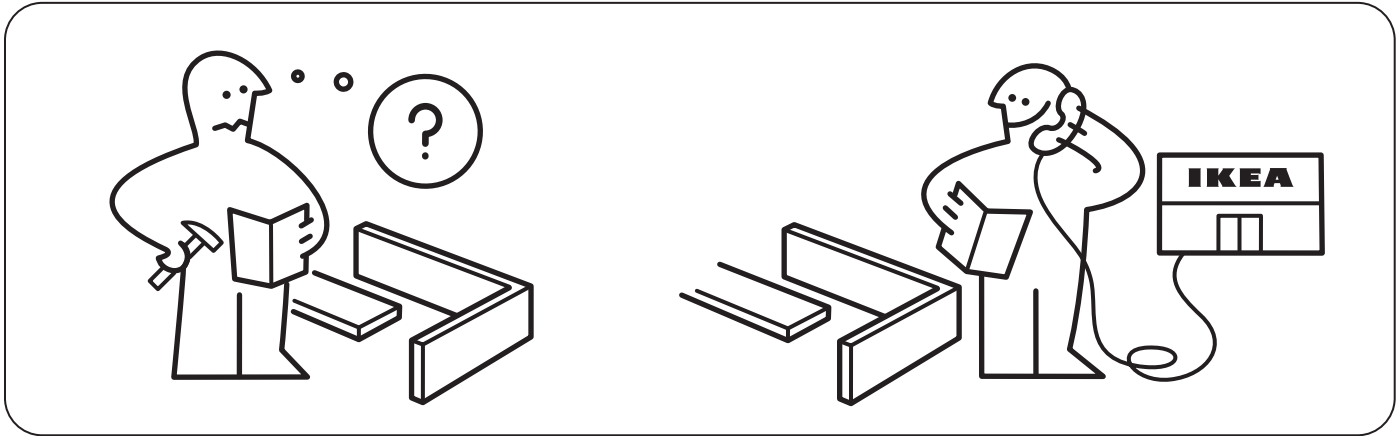
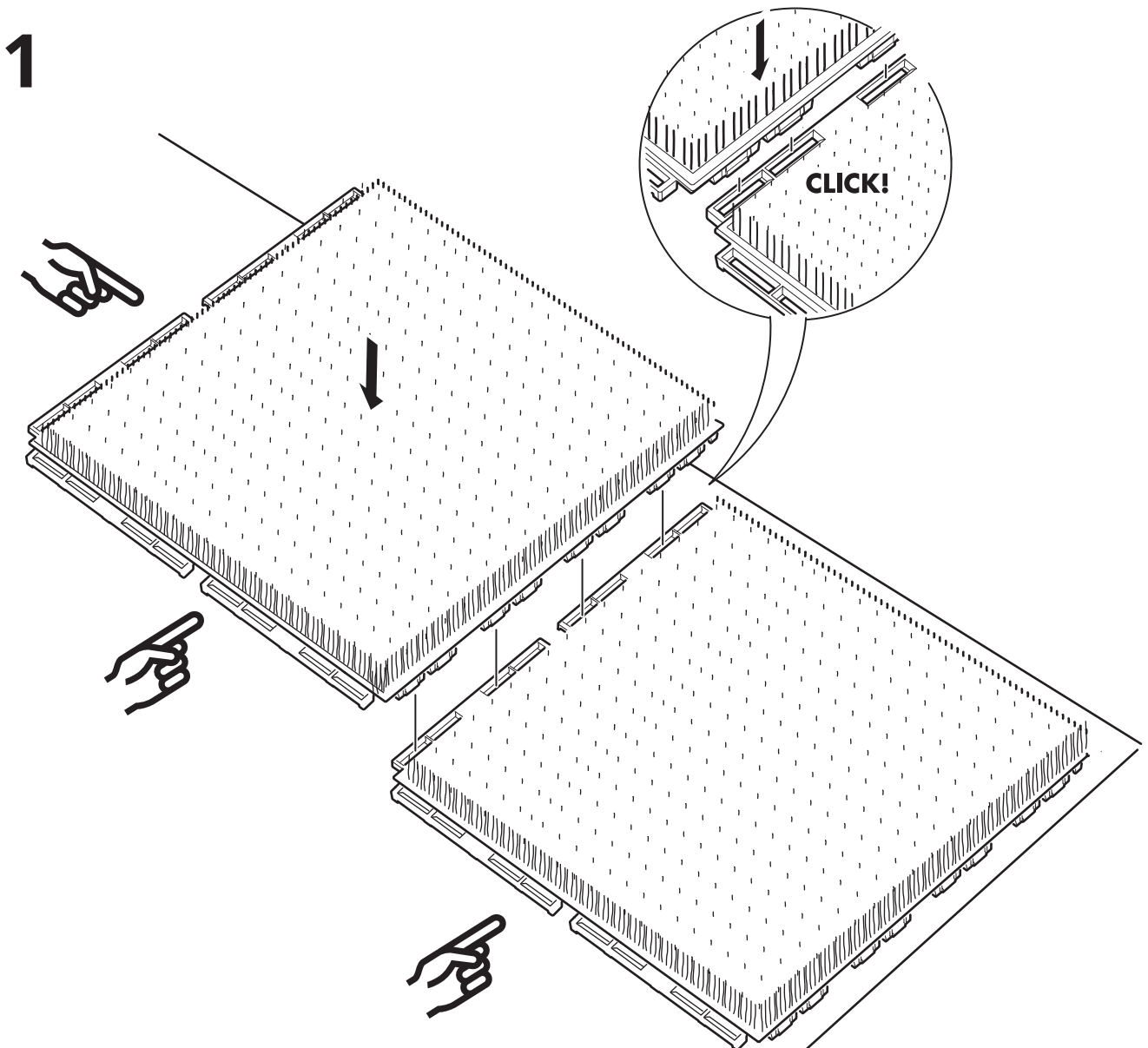
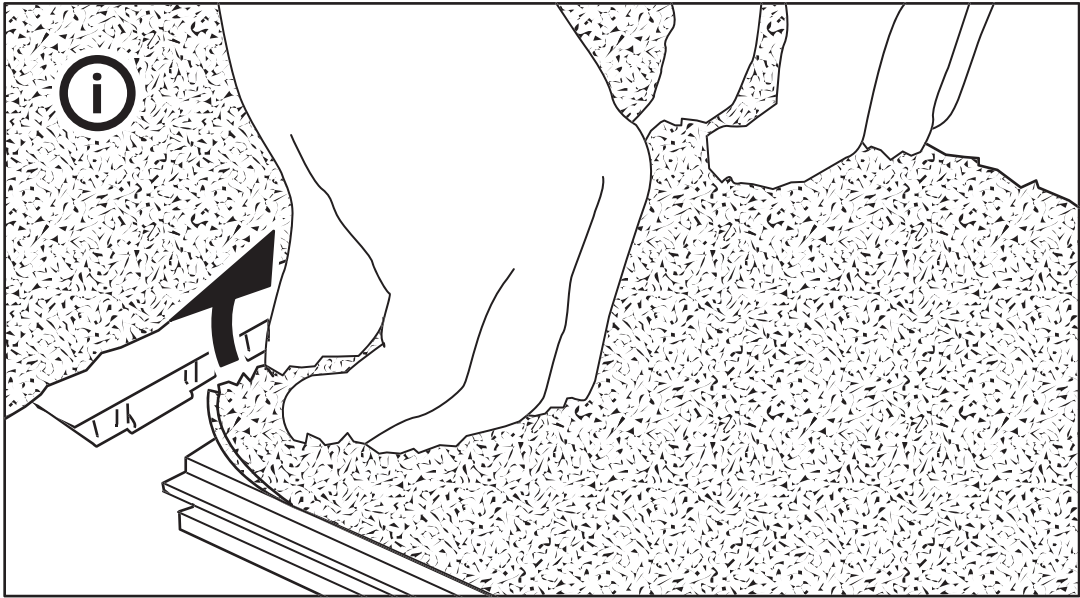


# RUNNEN



Design and Quality  
IKEA of Sweden





2

