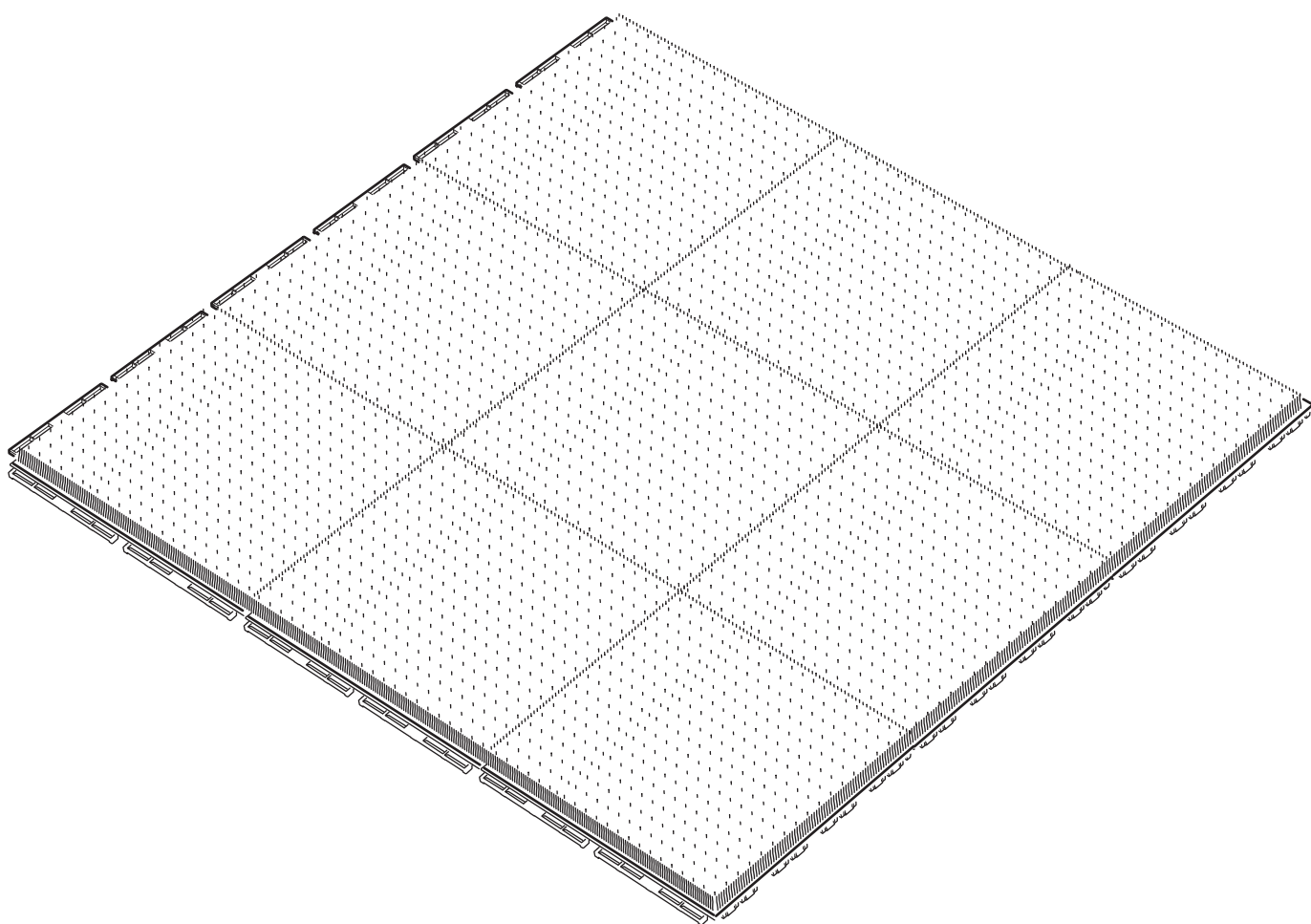
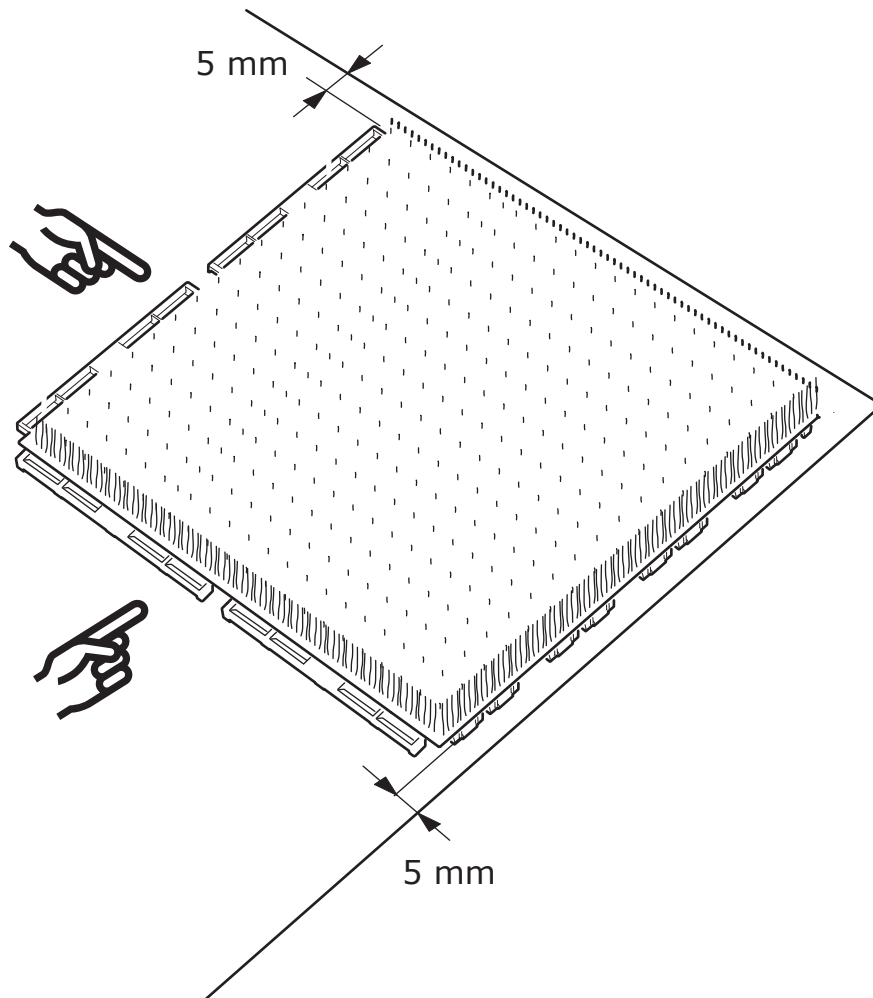
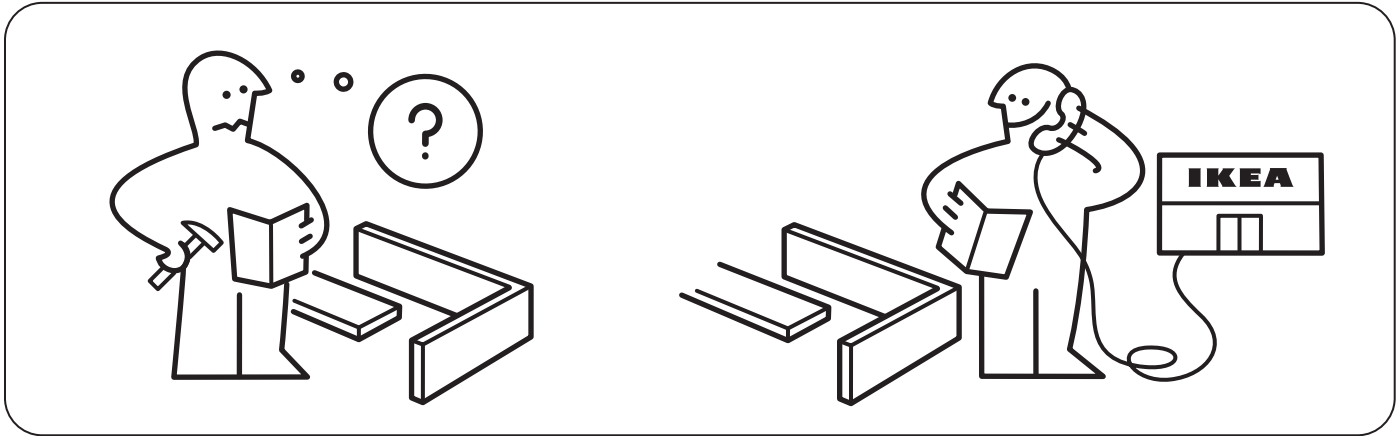
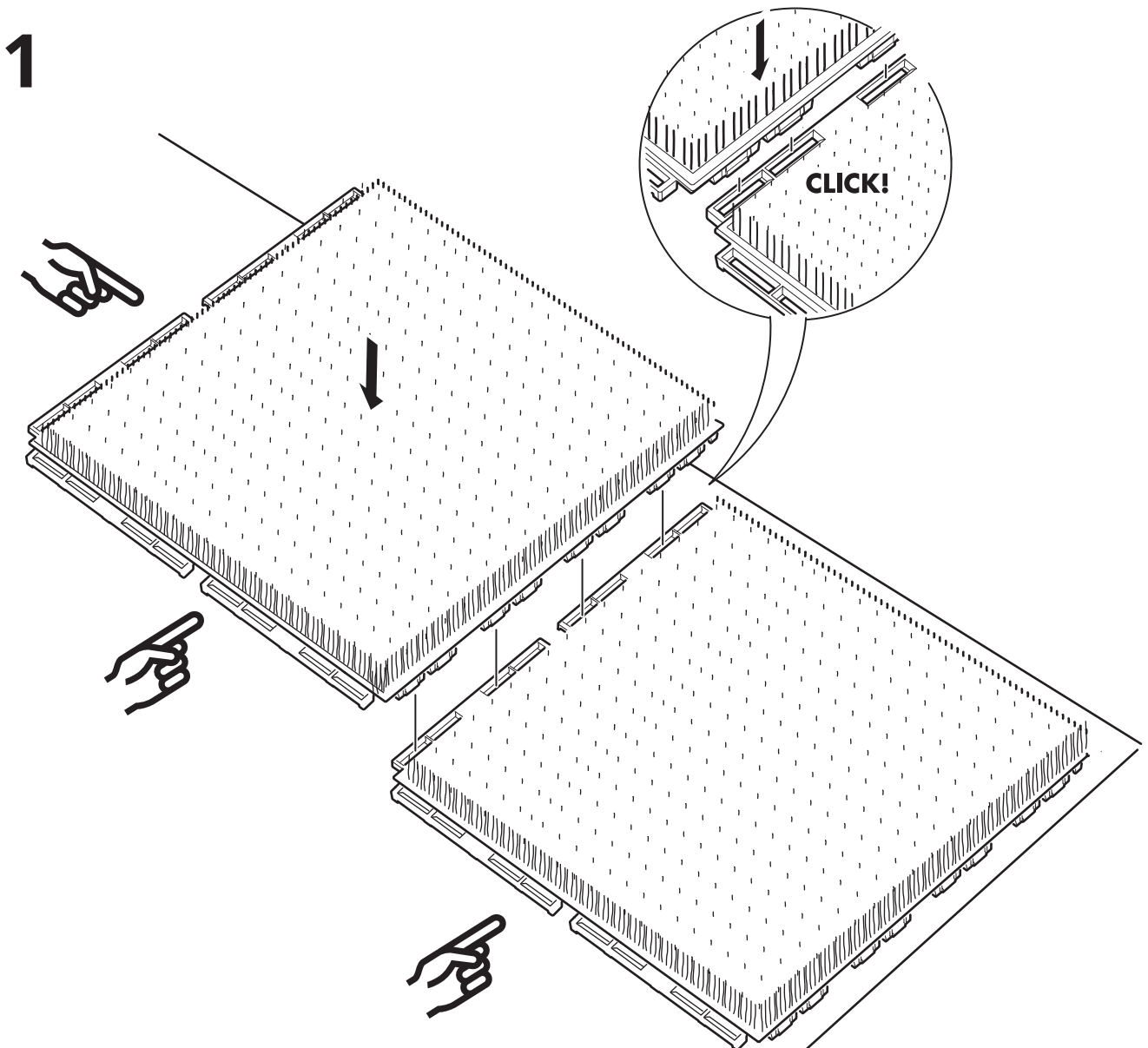
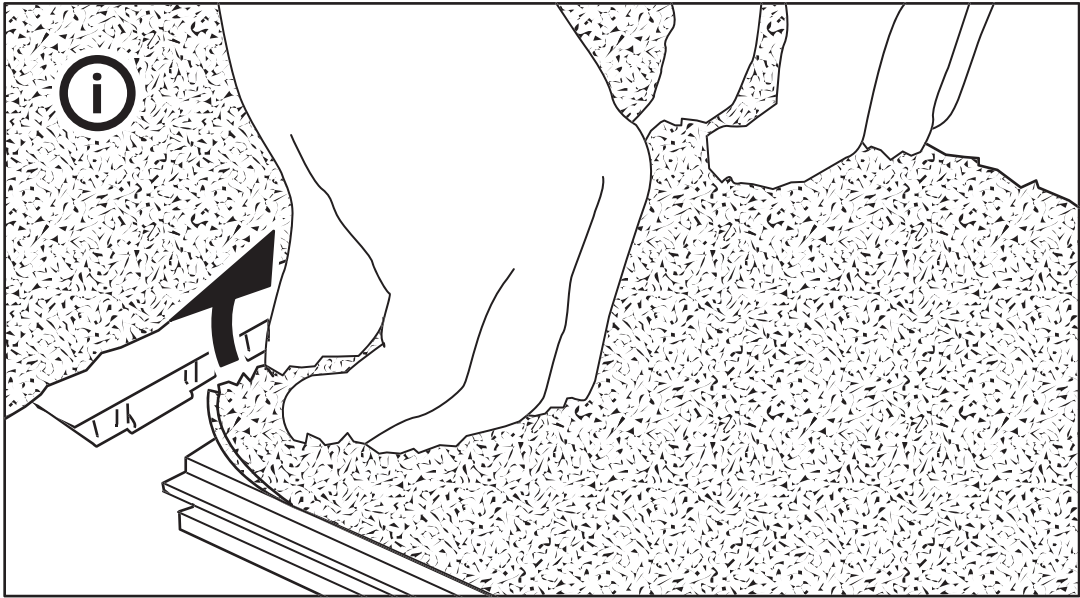


RUNNEN



Design and Quality
IKEA of Sweden





2

