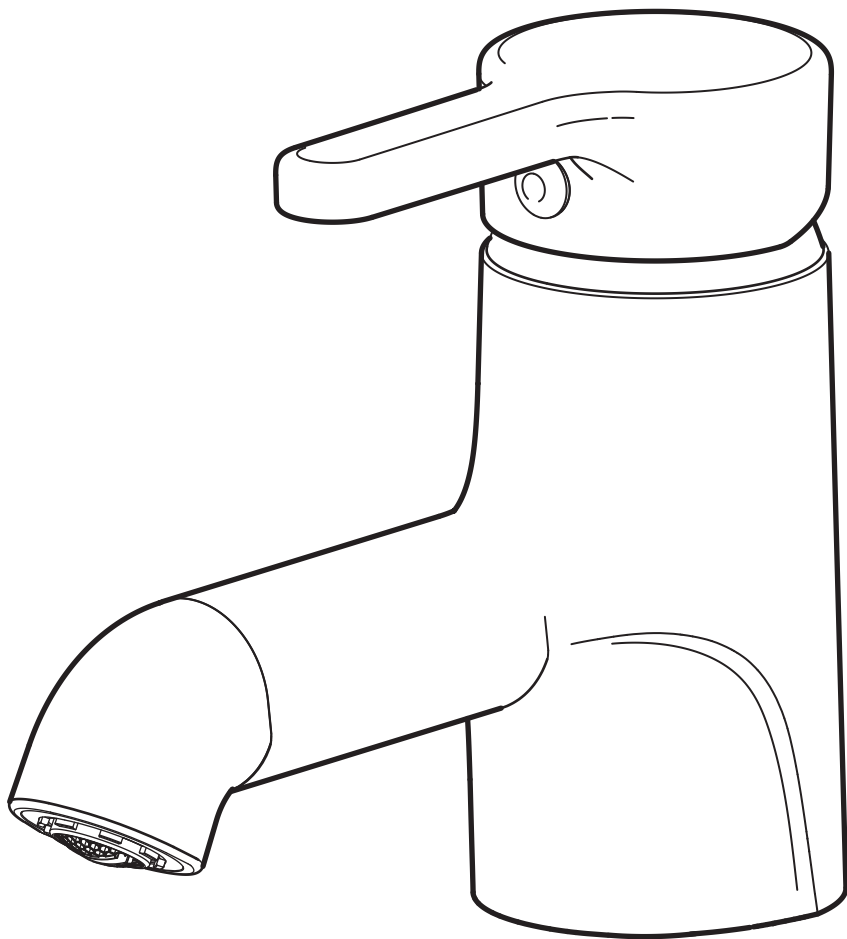


SALJEN



Design and Quality
IKEA of Sweden



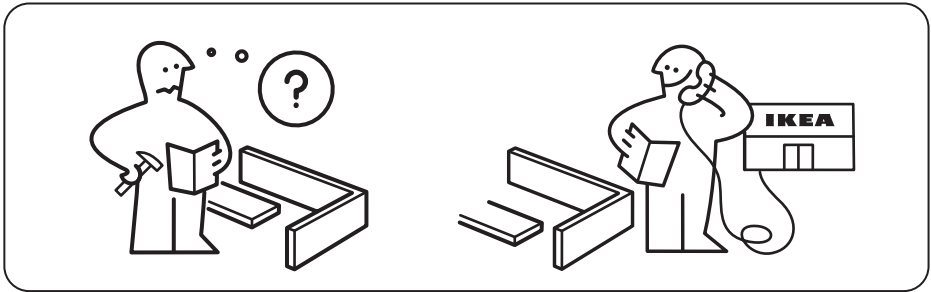
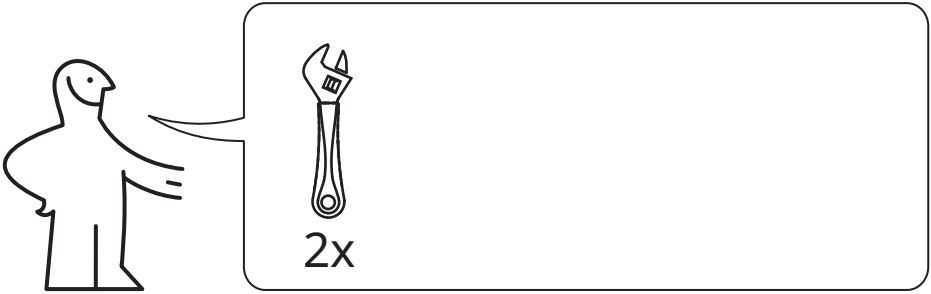
English

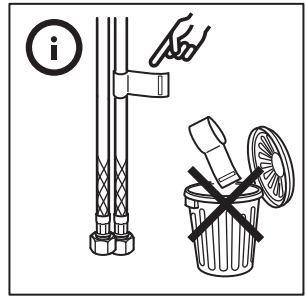
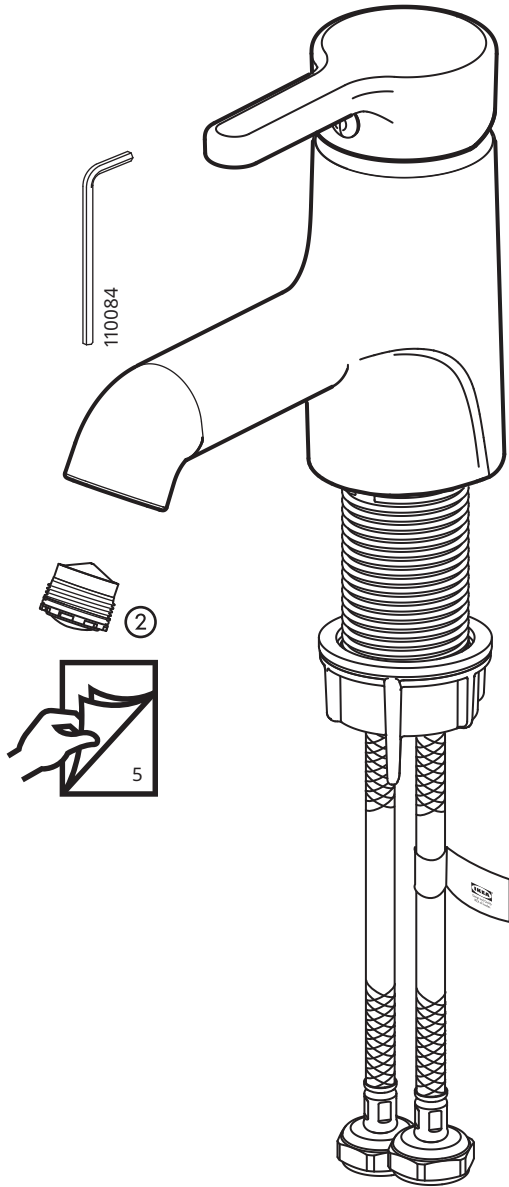
Installation must be performed in compliance with current local construction and plumbing regulations. If in doubt, contact a professional.



English

Switch off main shut-off valve before changing mixer tap.







60°C ☺
140°F
Max. 176°F
80°C



0,5 - 5 bar
0,05 - 0,5 MPa ☺
7,2 - 72.5 psi
0,2 - 10 bar
0,02 - 1 MPa
2,9 - 145 psi

2



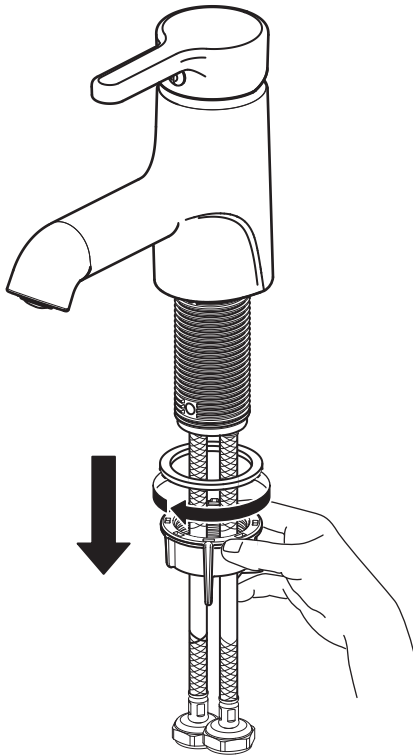
124607
Pre-fitted
High pressure



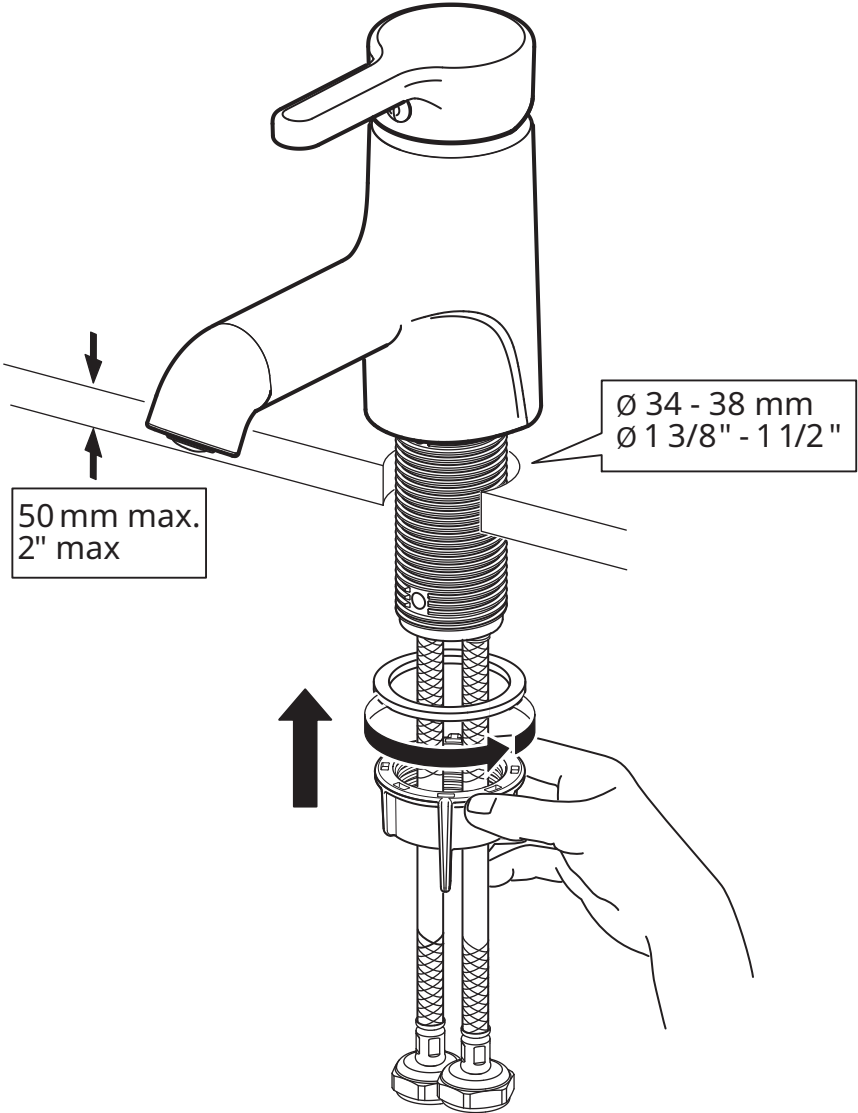
139268
Low pressure



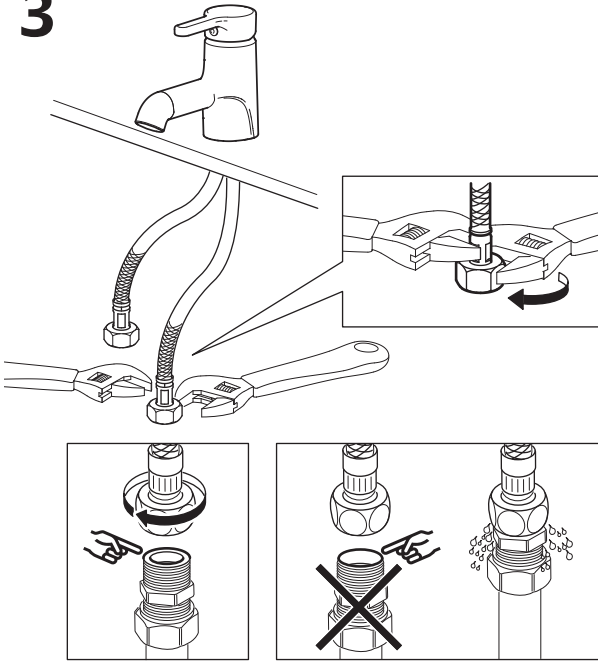
1



2

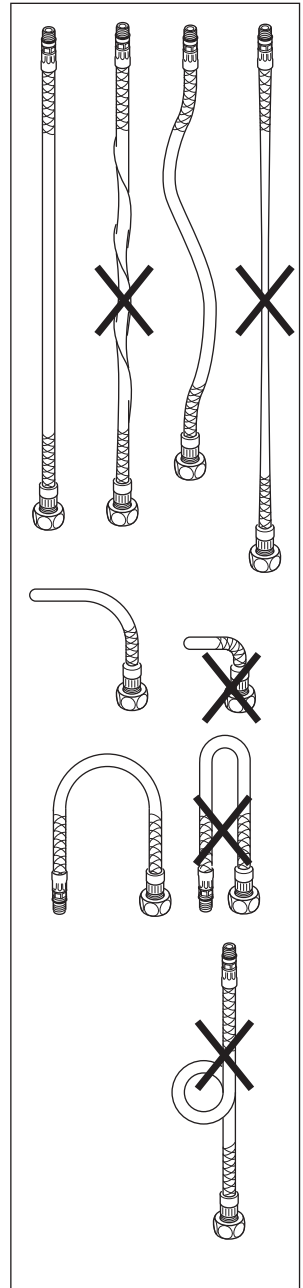


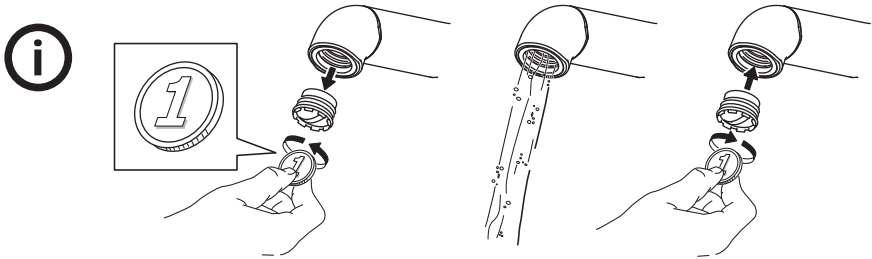
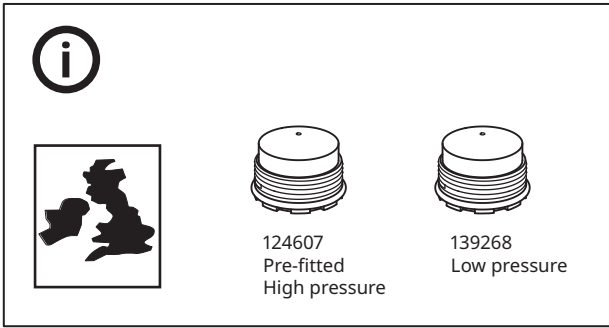
3



English

IMPORTANT! Do not tighten too hard: this can damage hoses/pipes and washers.





English

Before use: Unscrew the Aerator/Flow Guide with a coin and allow the water to run freely for a few minutes. Then screw the Aerator/Flow Guide back in place up to the stop DO NOT OVER TIGHTEN.



English

Check at regular intervals to make sure that the installation is not leaking.

