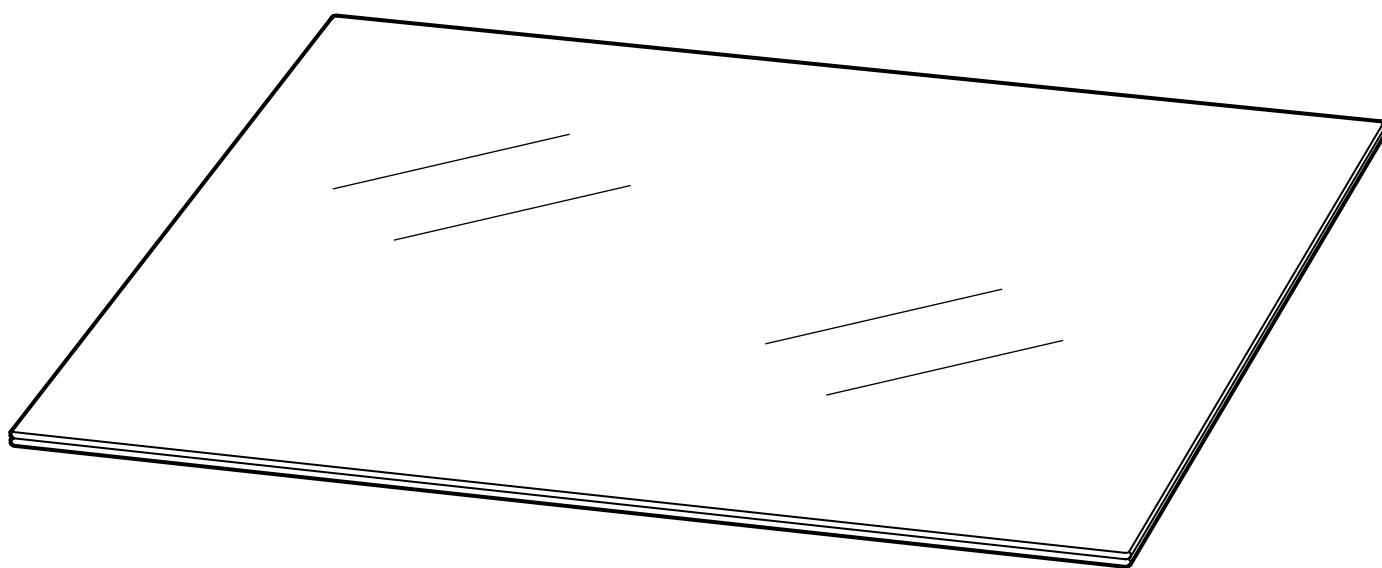
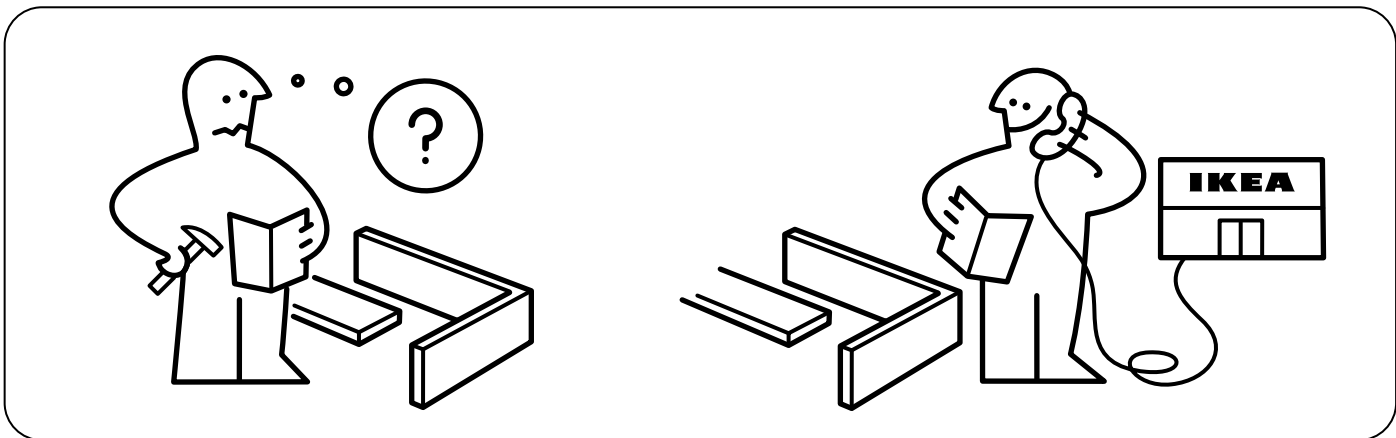
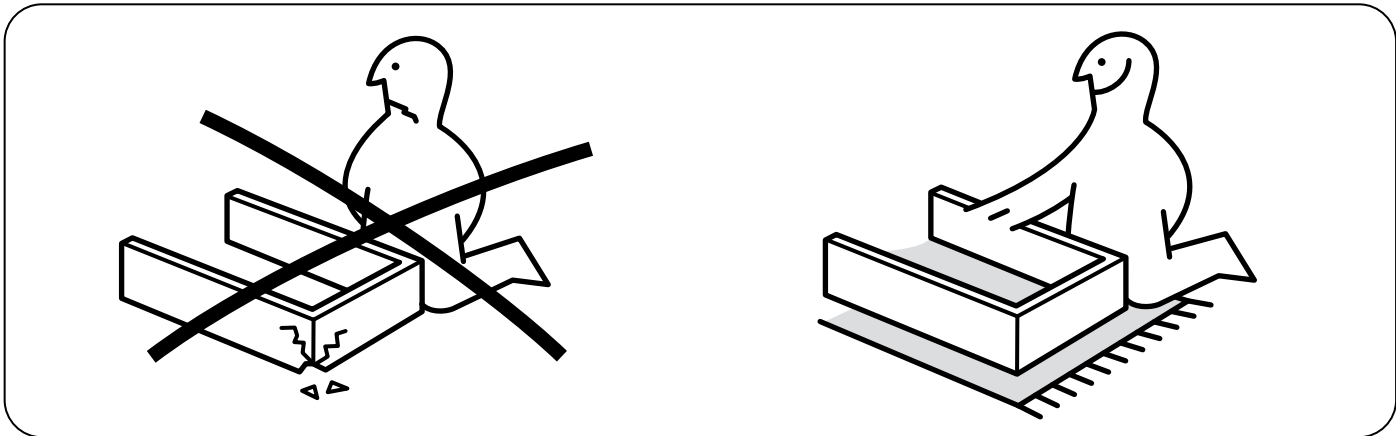
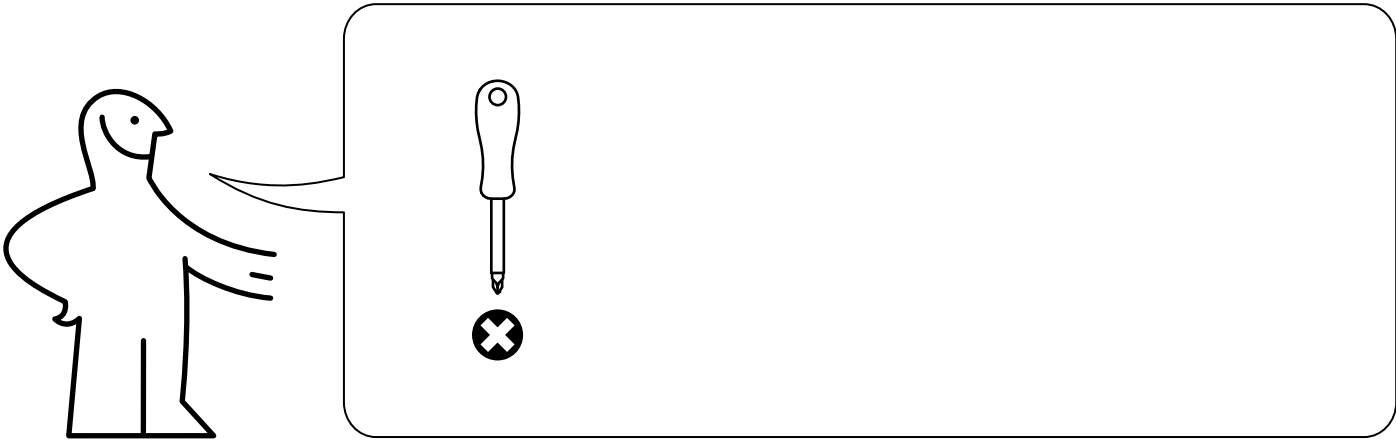


# SJÄLLAND



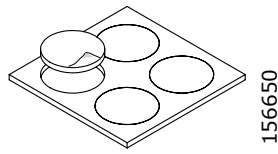
Design and Quality  
IKEA of Sweden



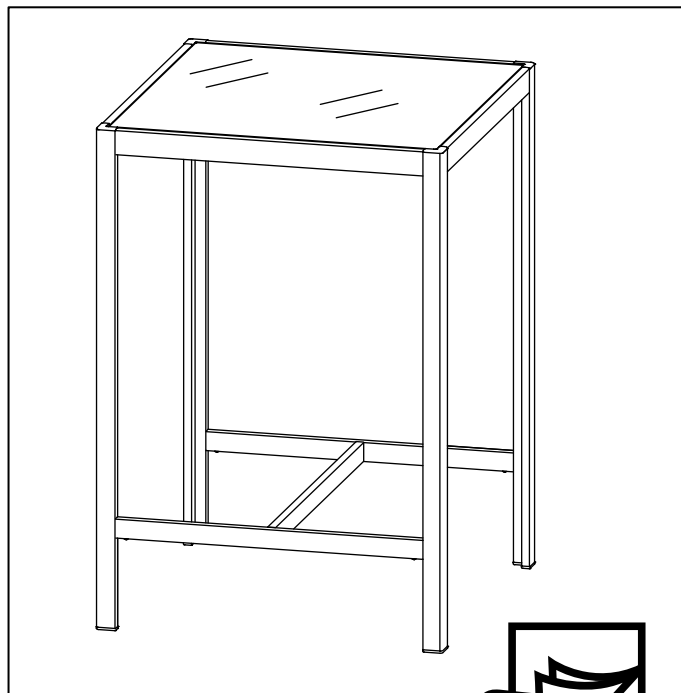
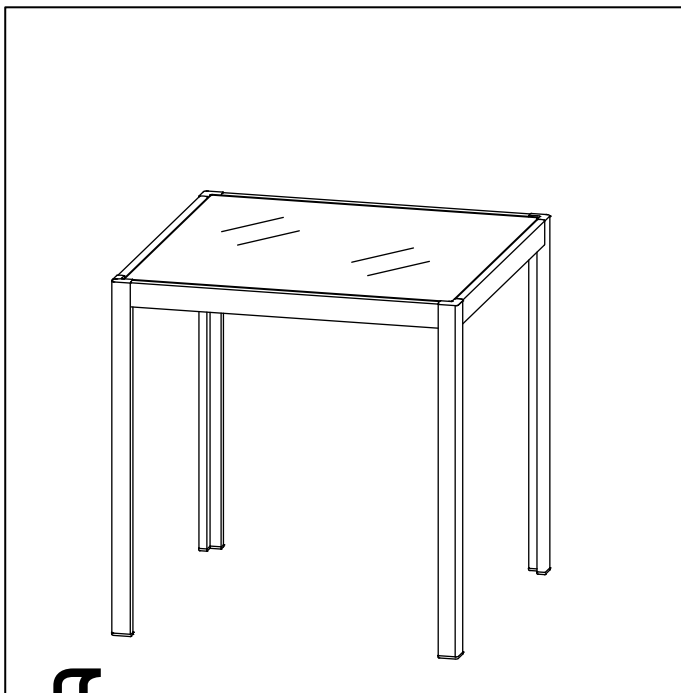
8x



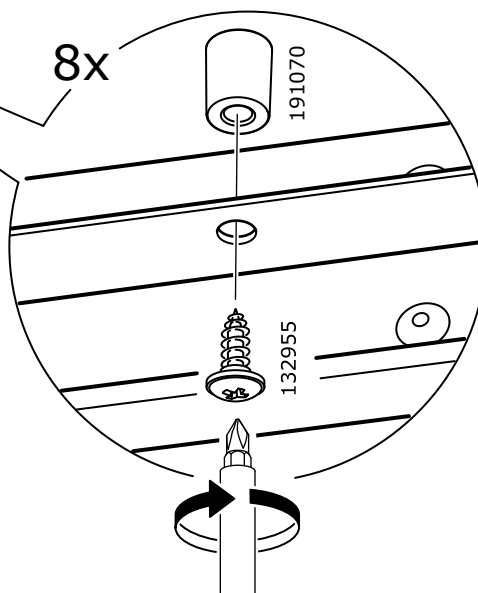
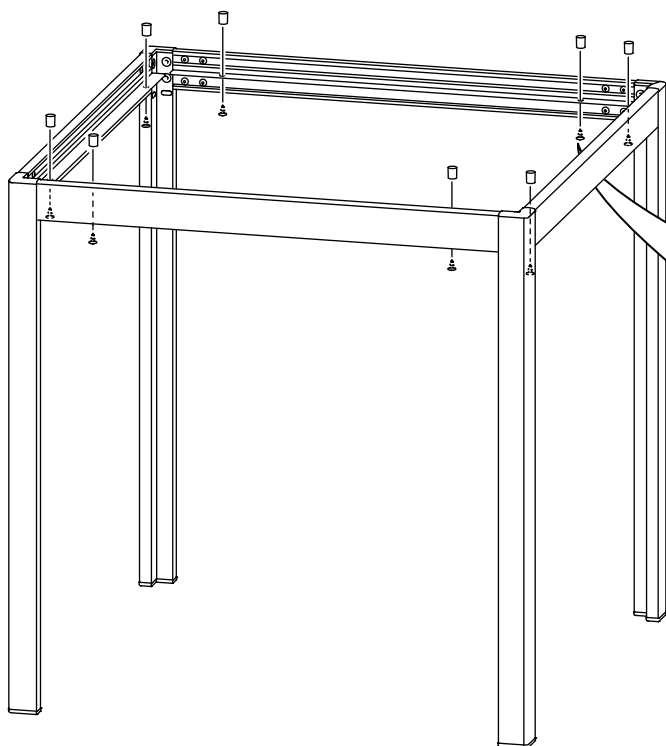
8x



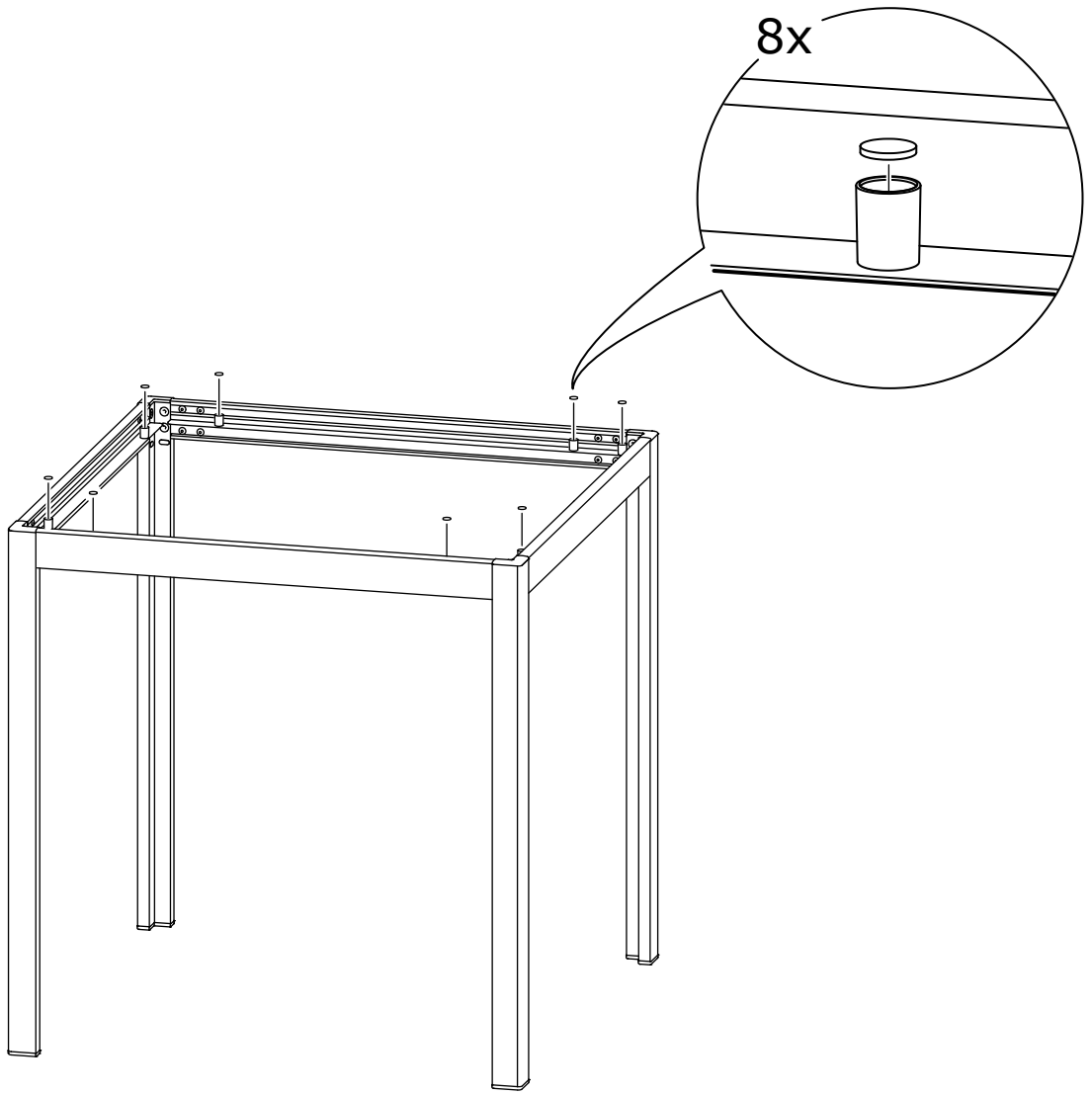
2x



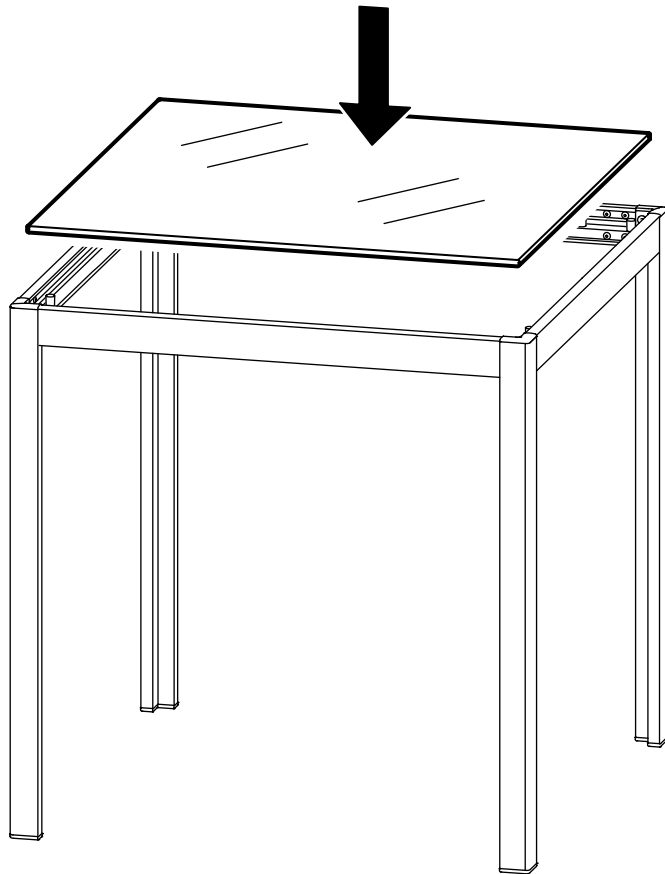
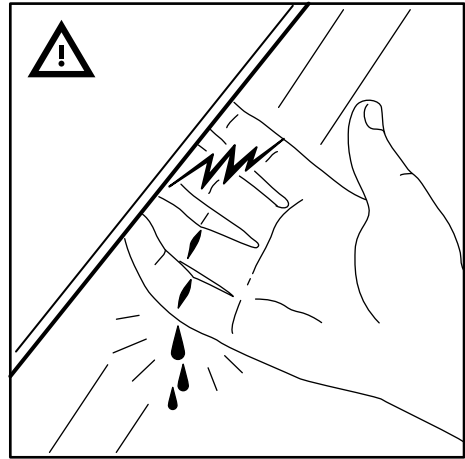
1

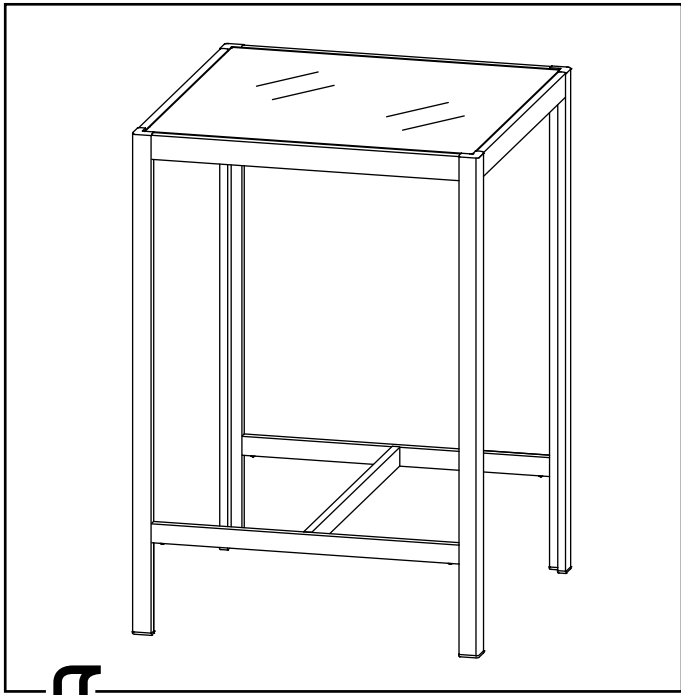


2

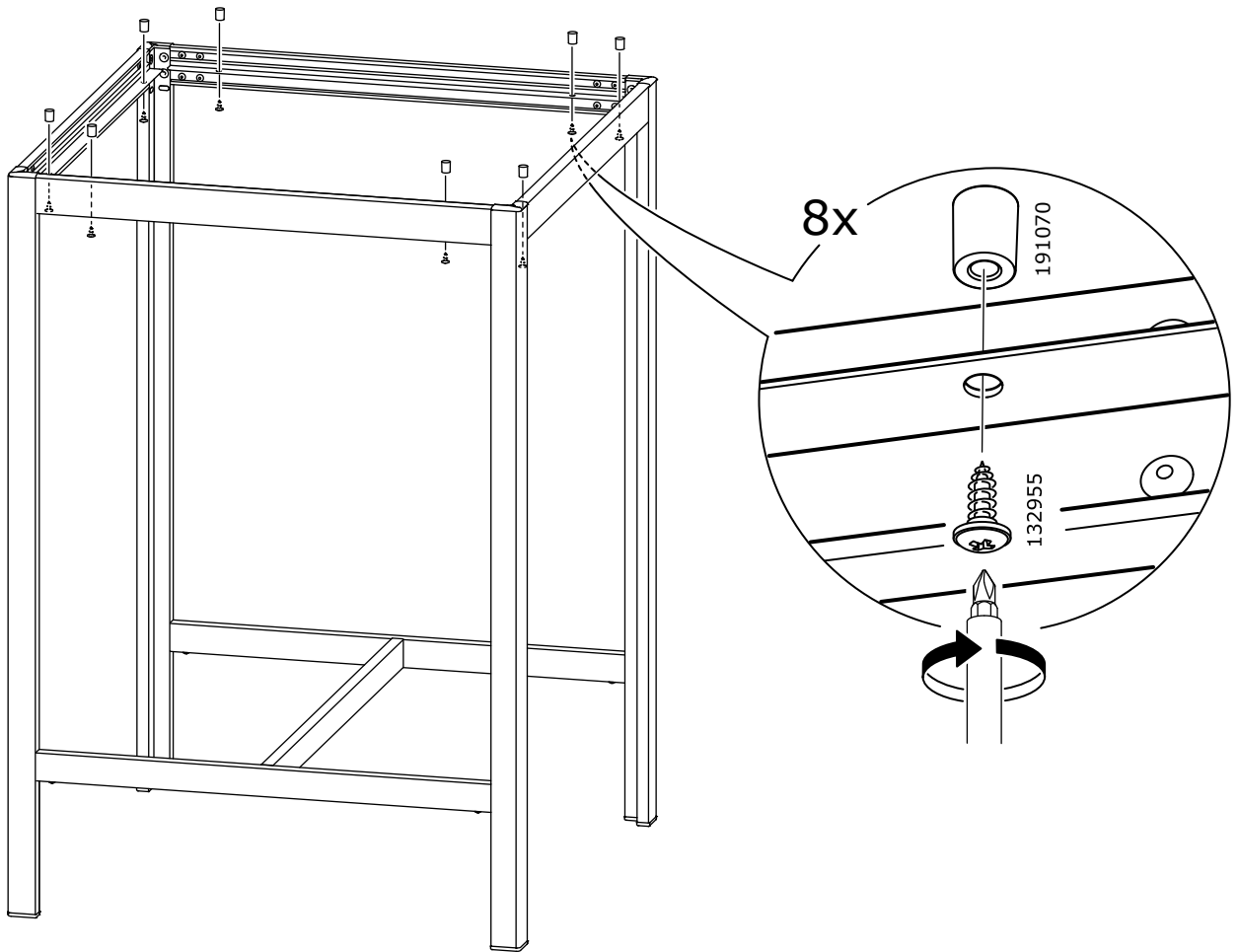


**3**

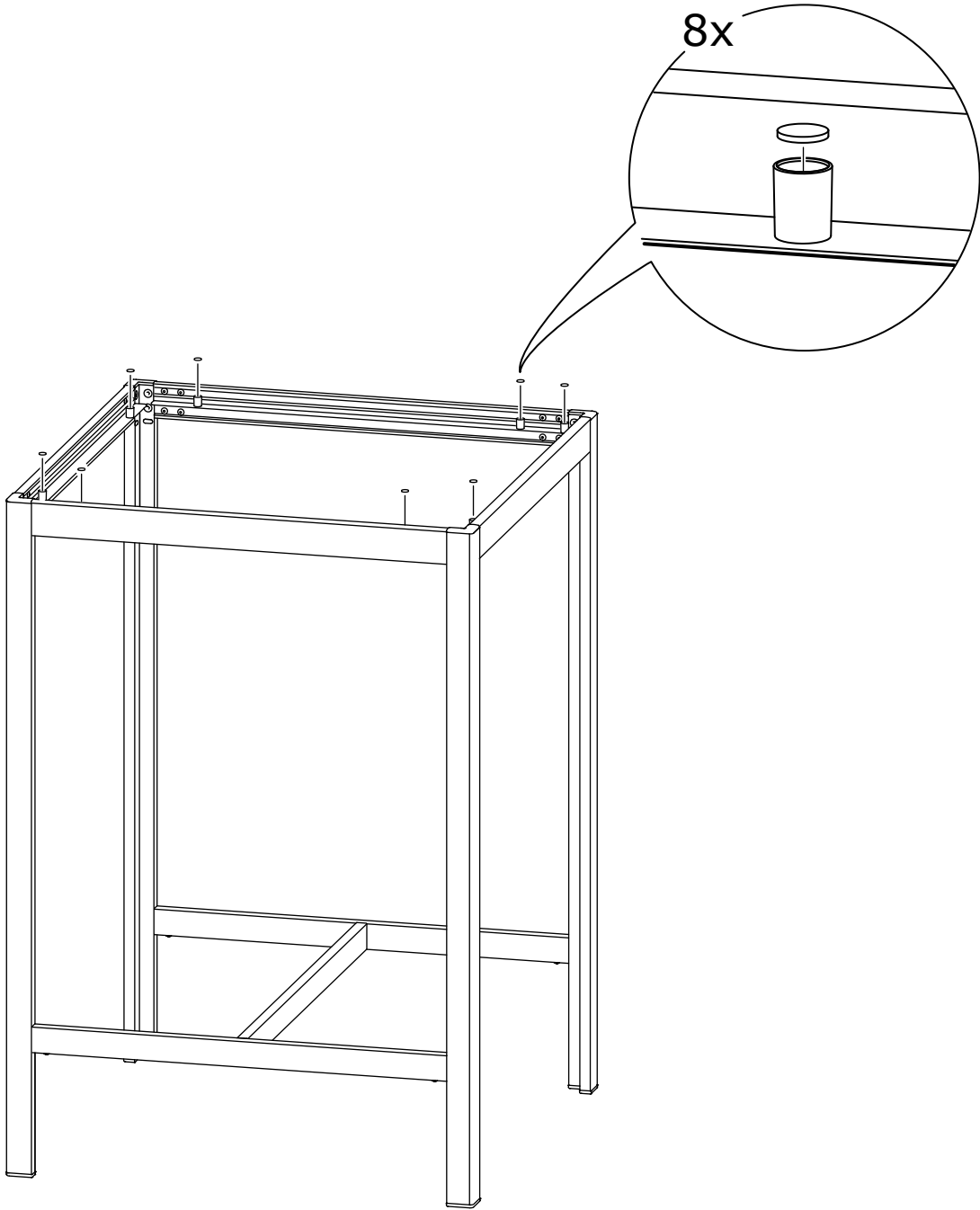




**1**



2



3

