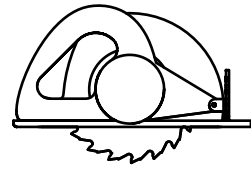
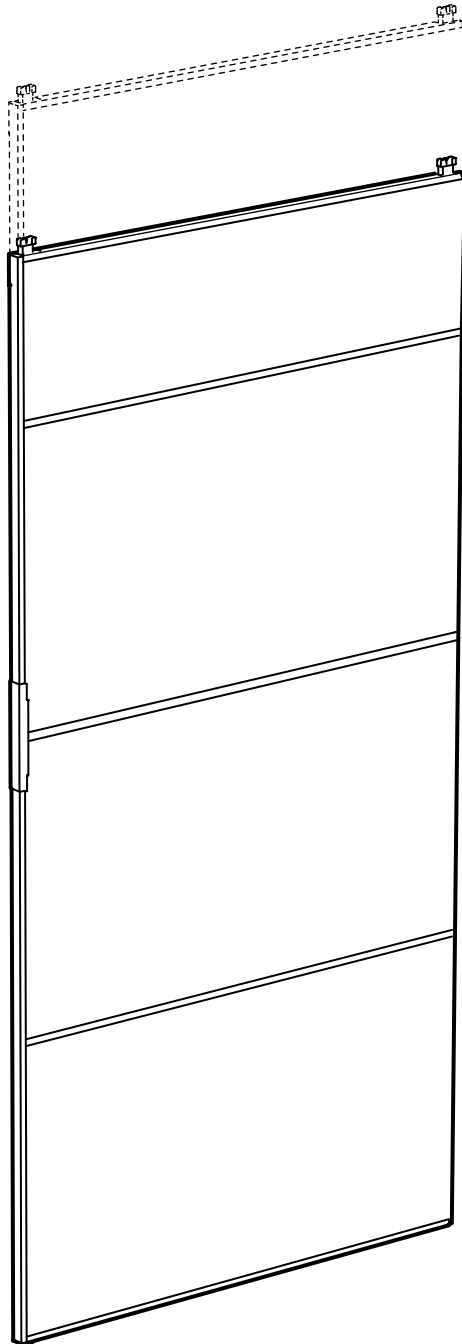
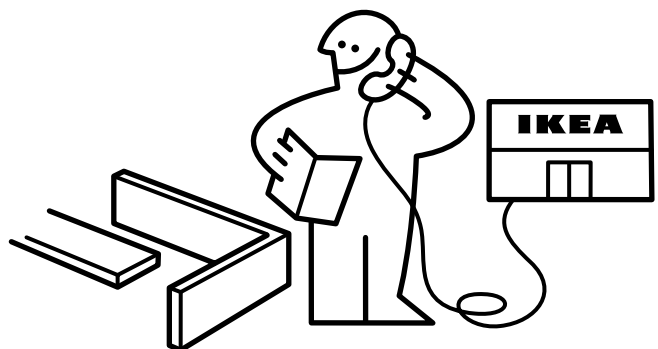
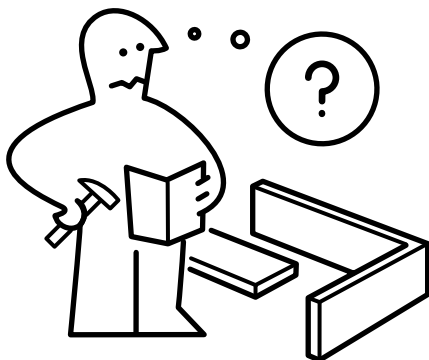
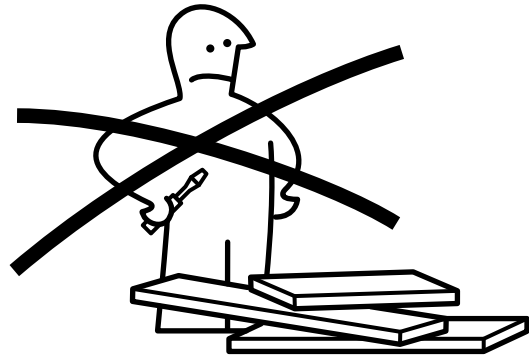
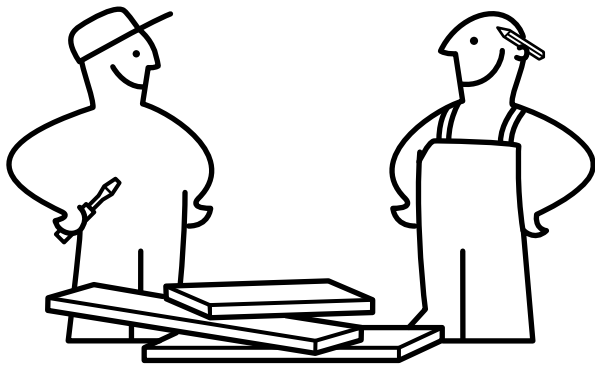
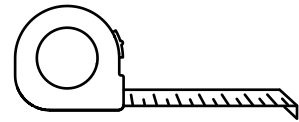
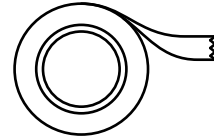
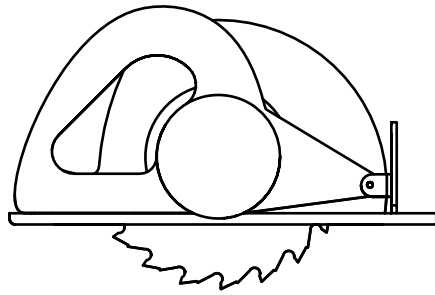
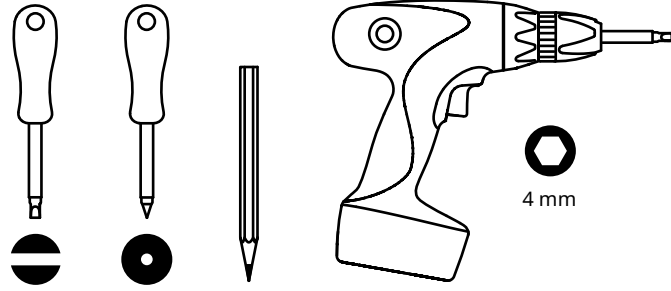
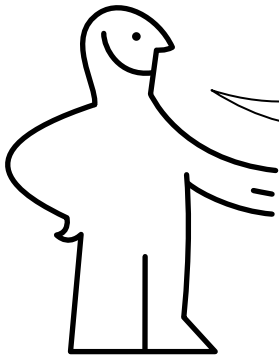


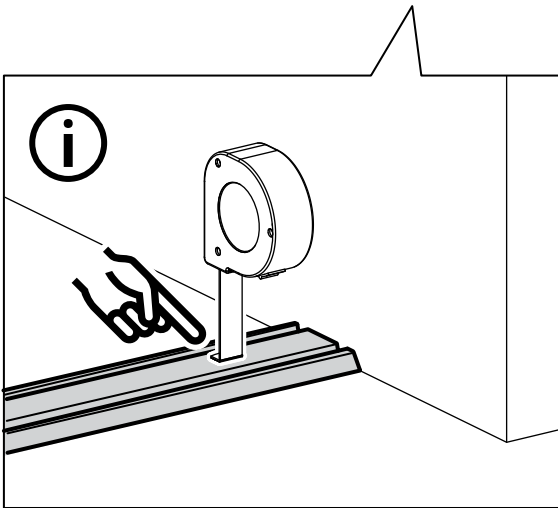
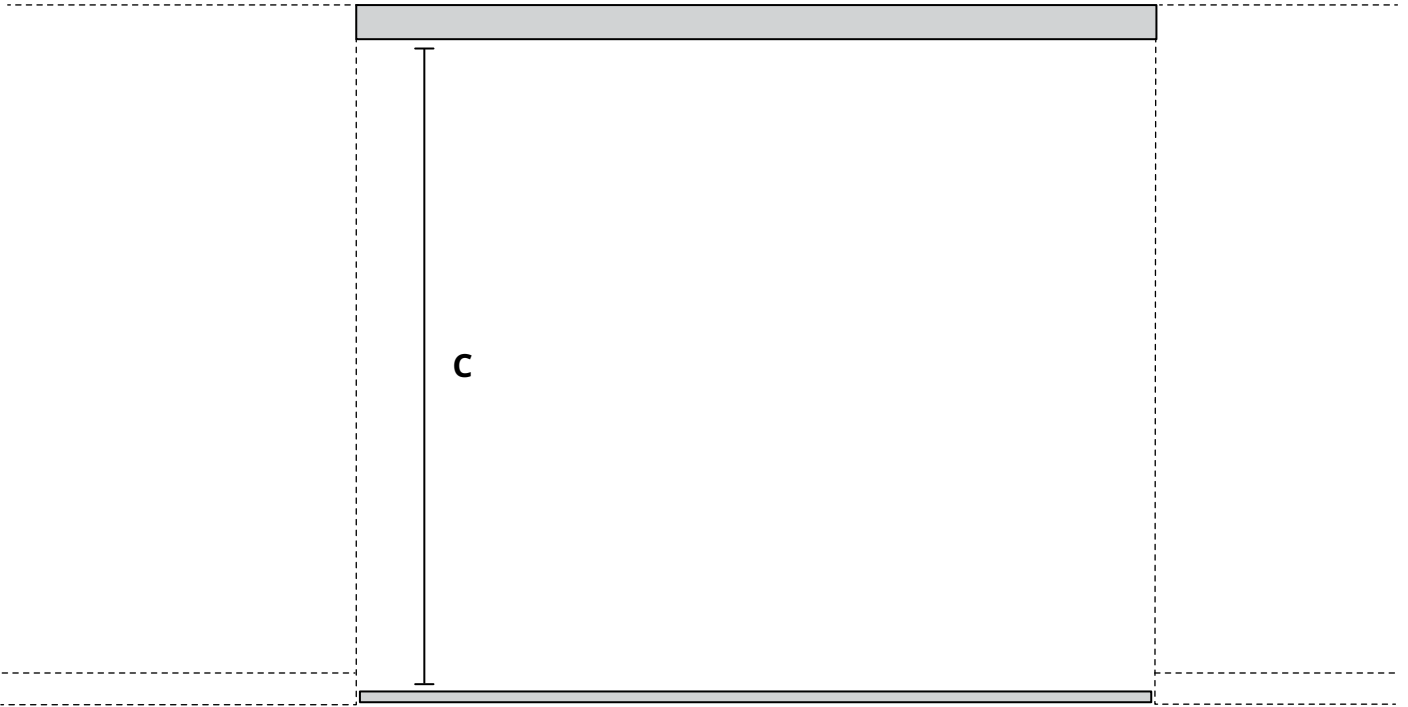
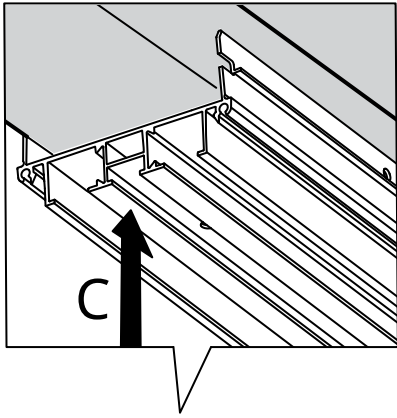
SKYTTA



Design and Quality
IKEA of Sweden



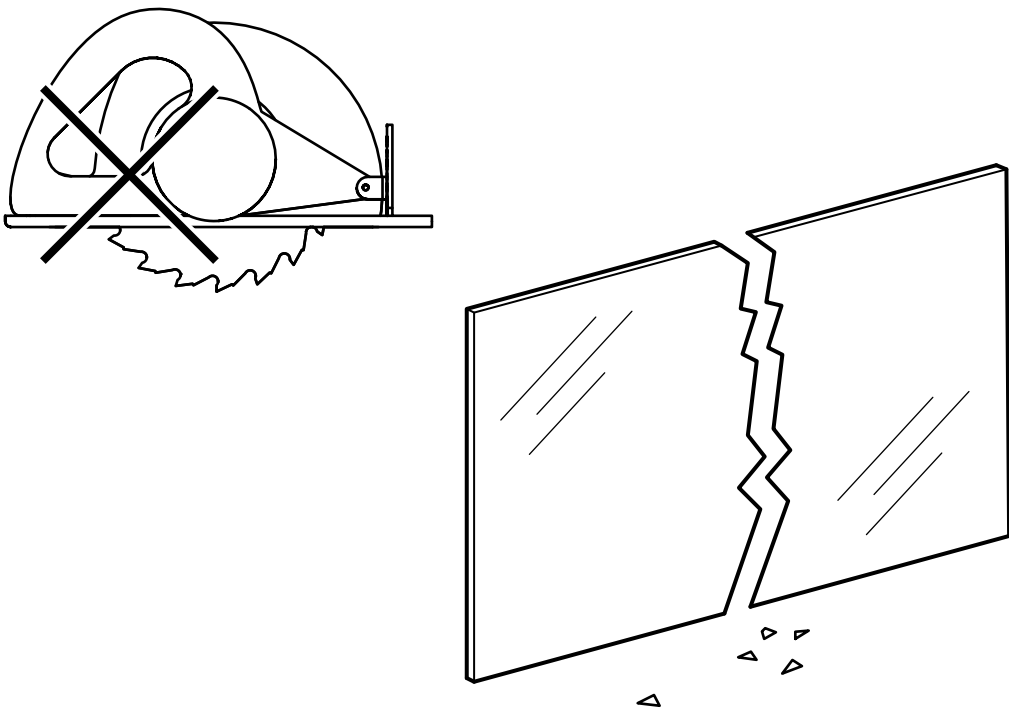
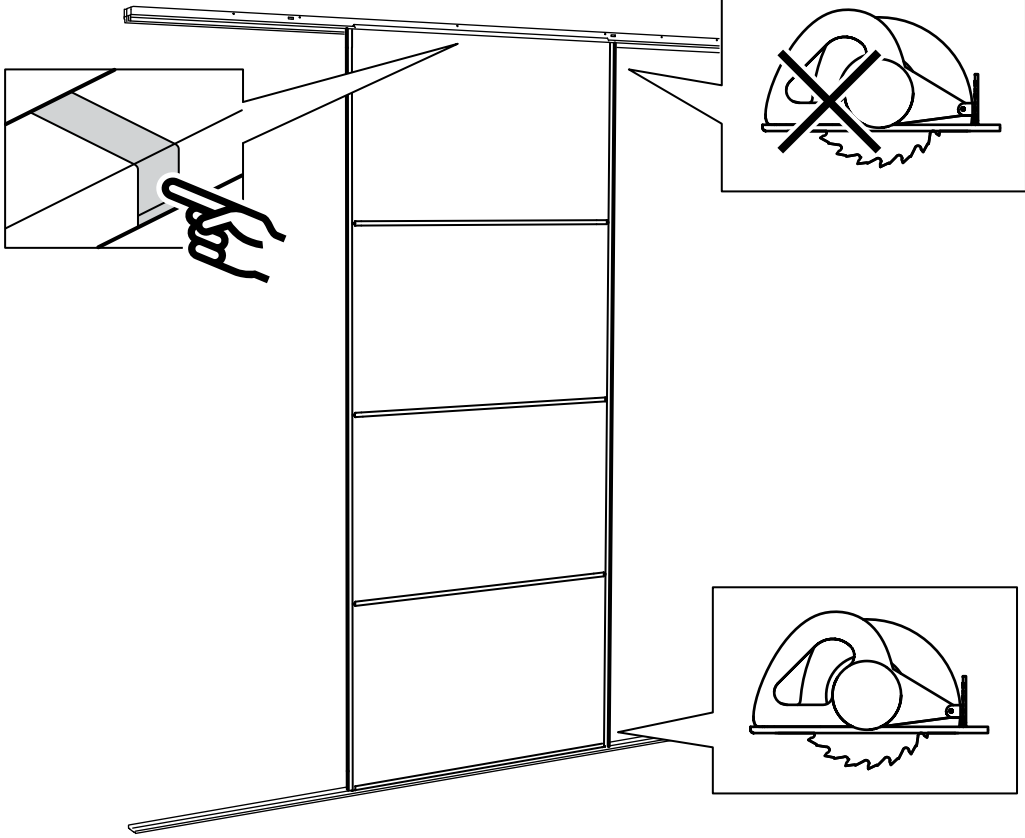
1



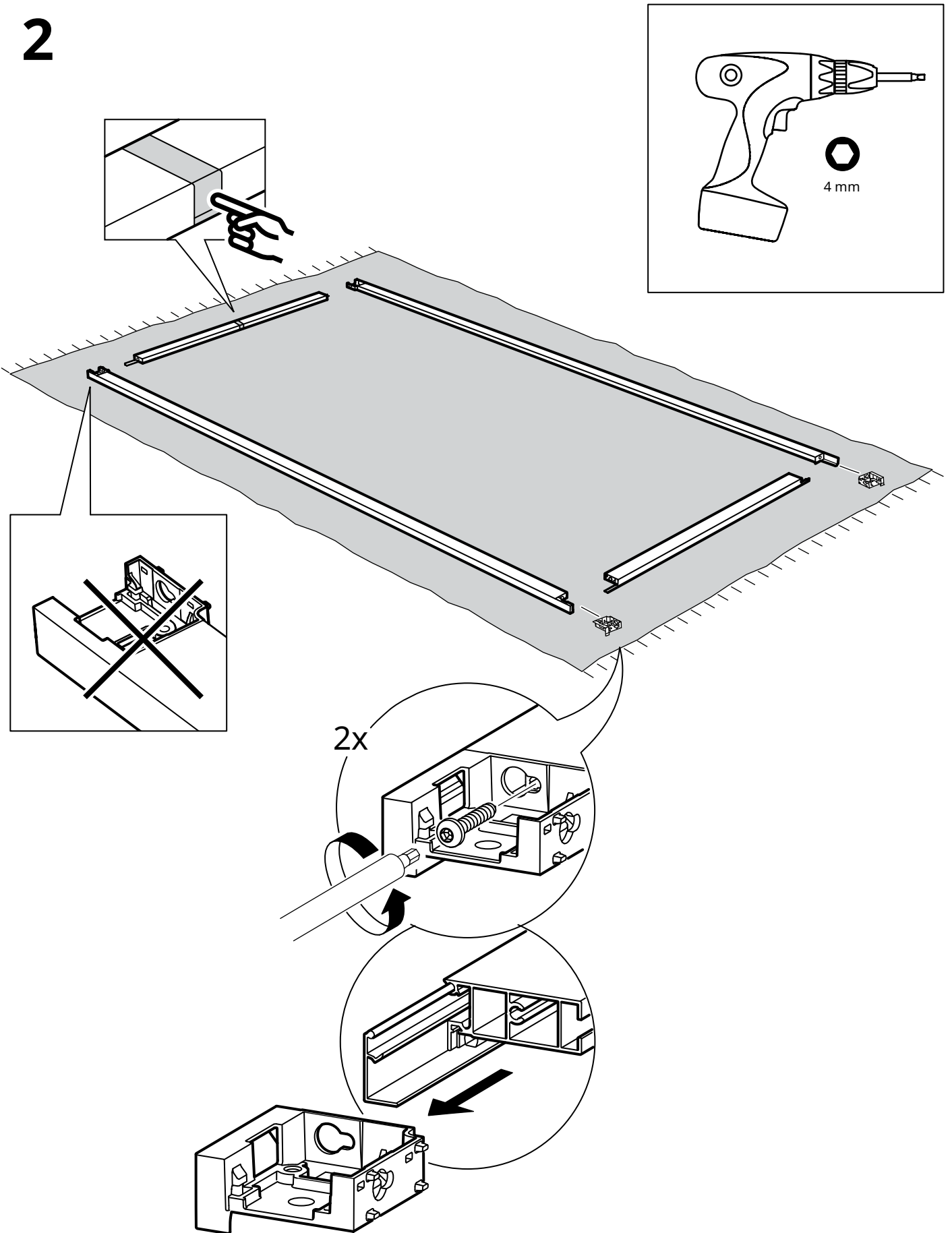
X = _____ mm

<p>1960 mm</p>	<p>1987 mm - C = X</p>
----------------	------------------------

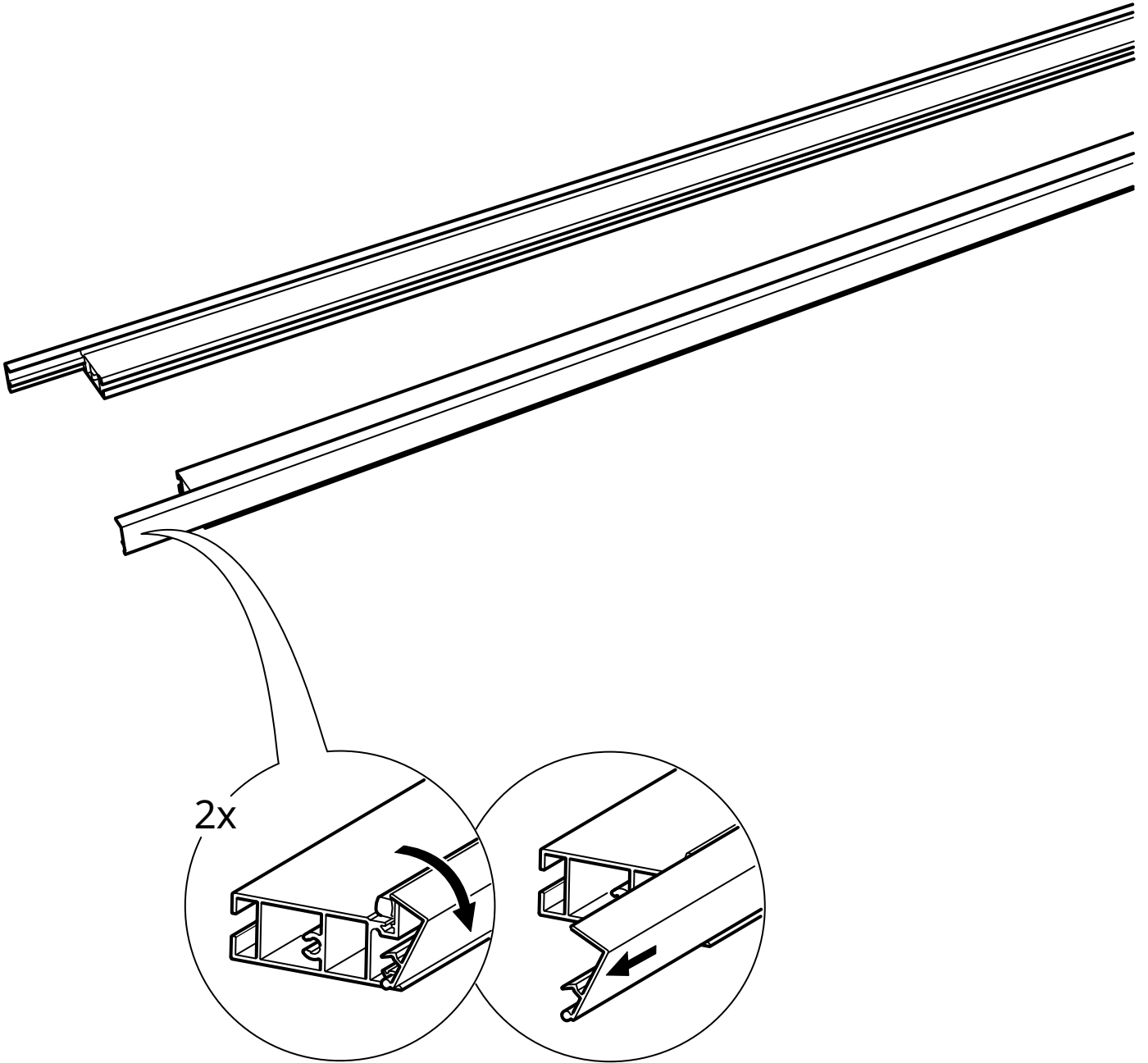
<p>2310 mm</p>	<p>2339 mm - C = X</p>
----------------	------------------------



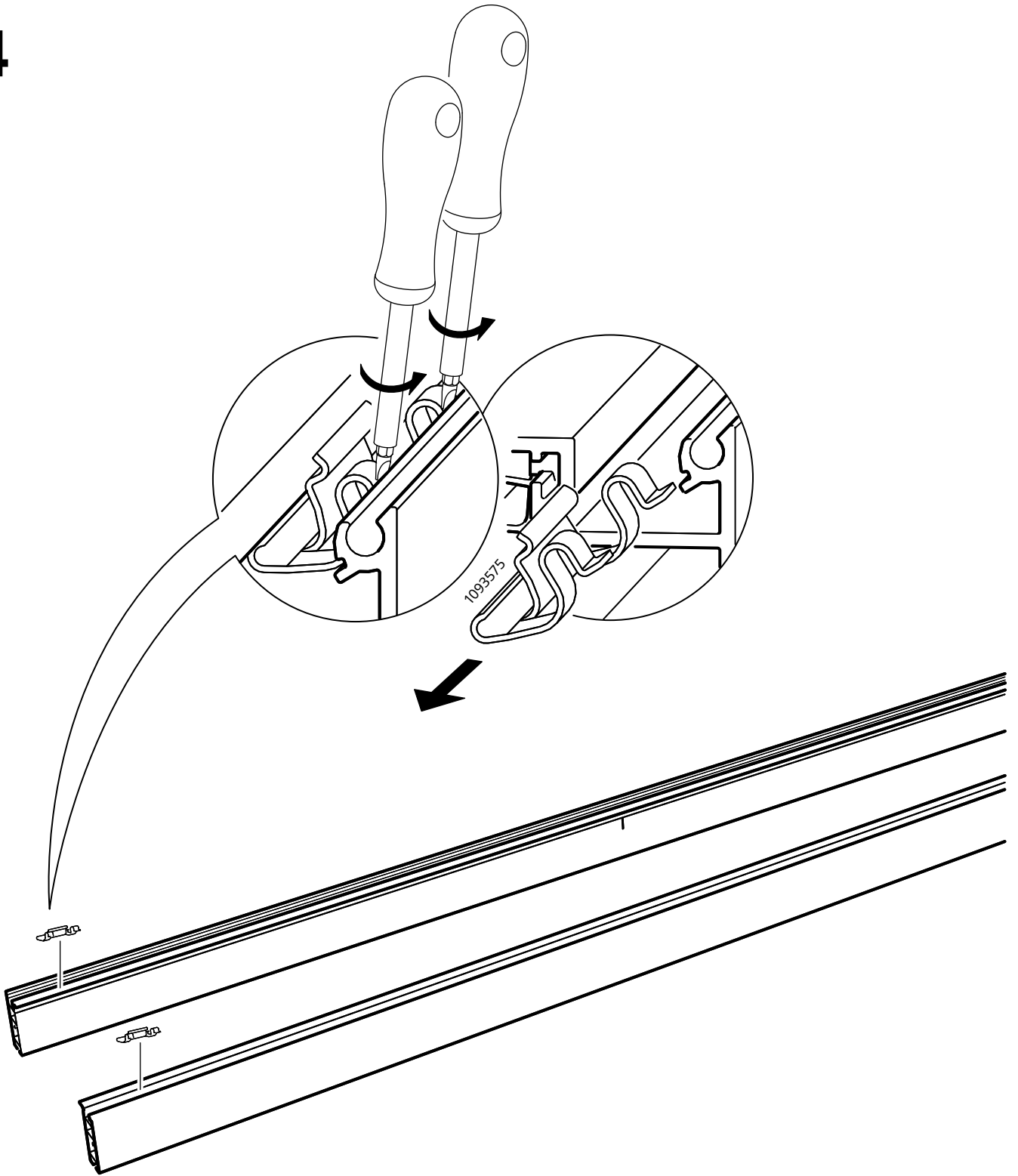
2

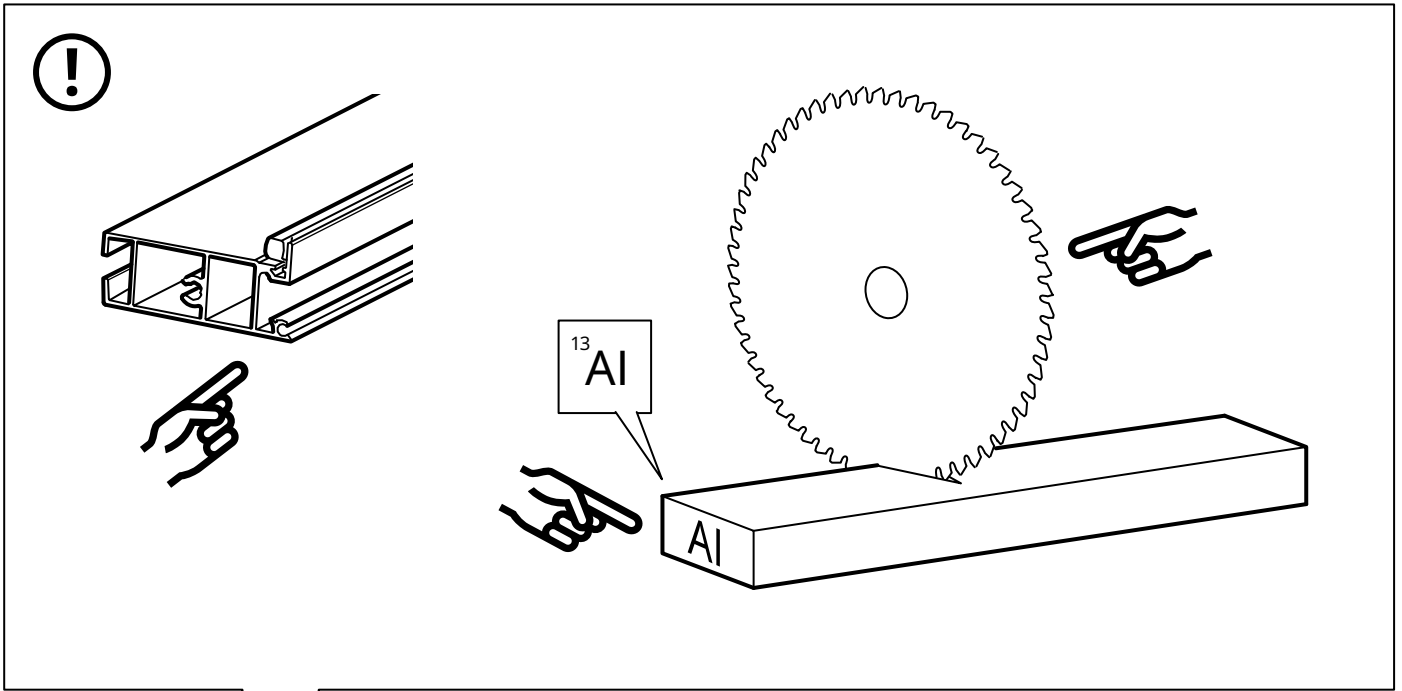


3

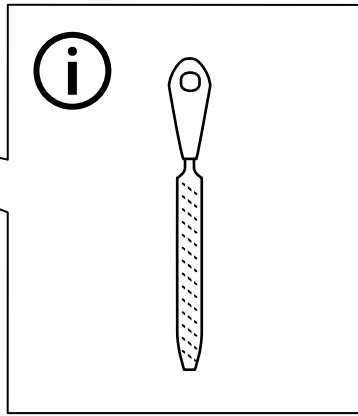
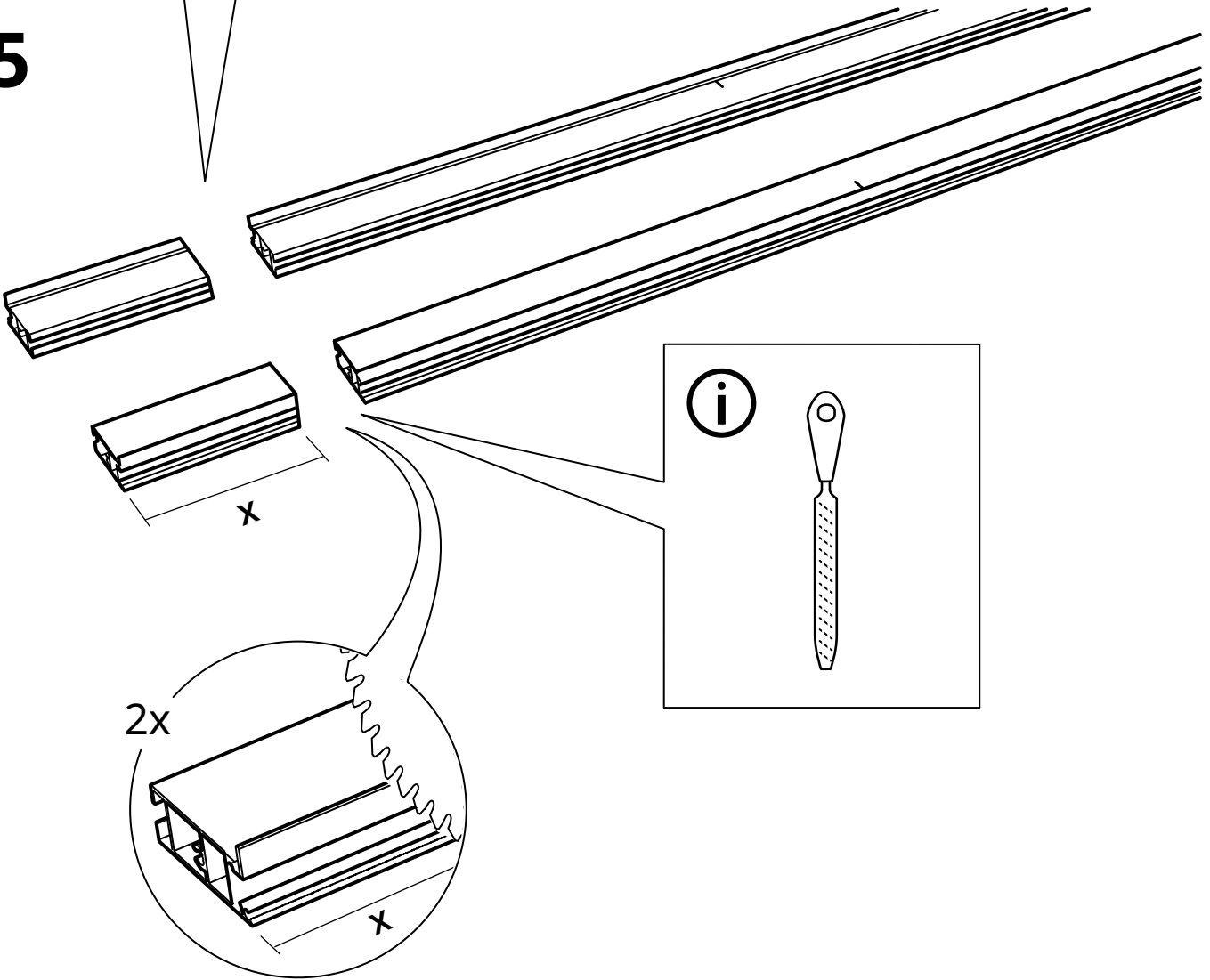


4

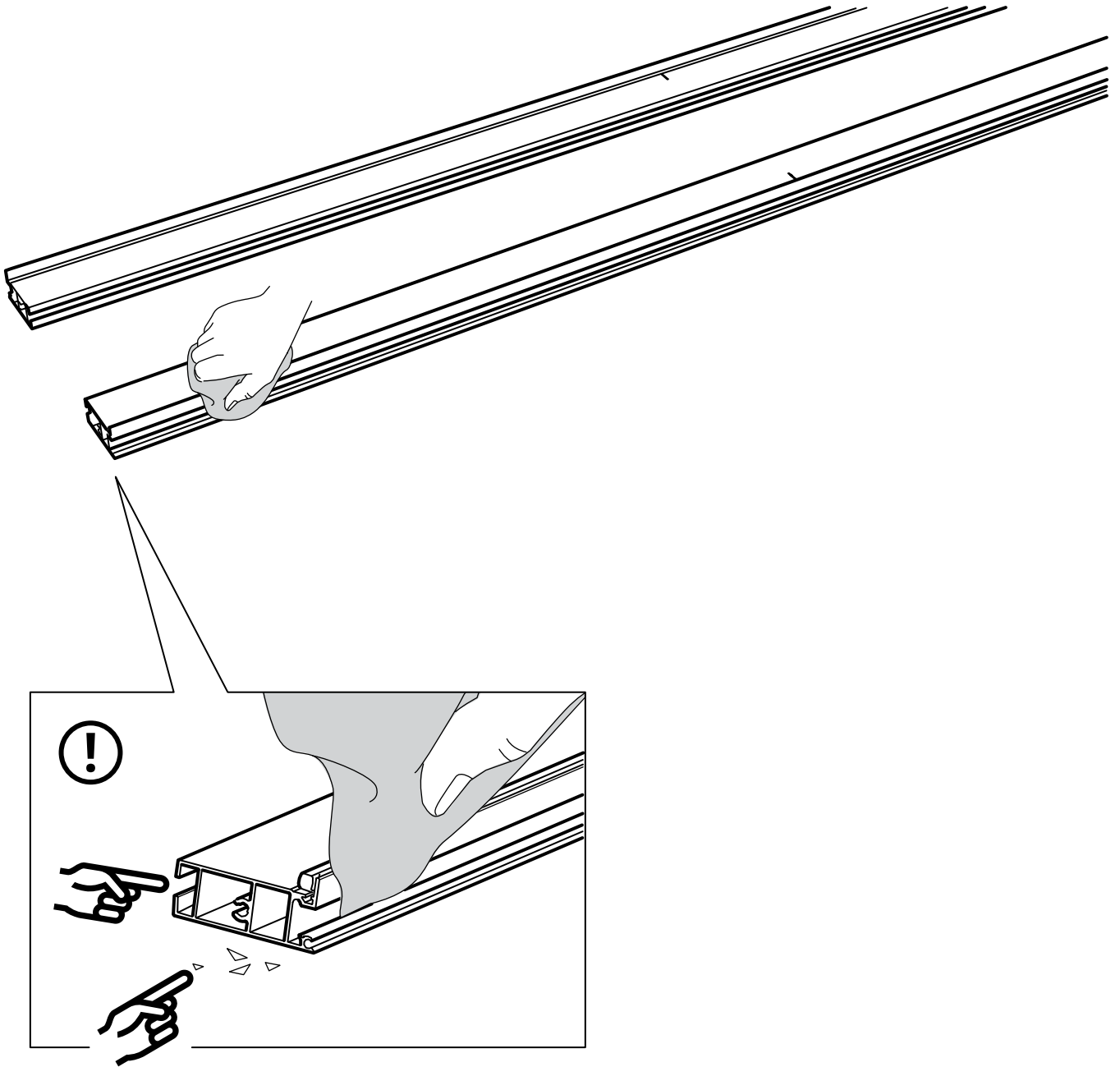




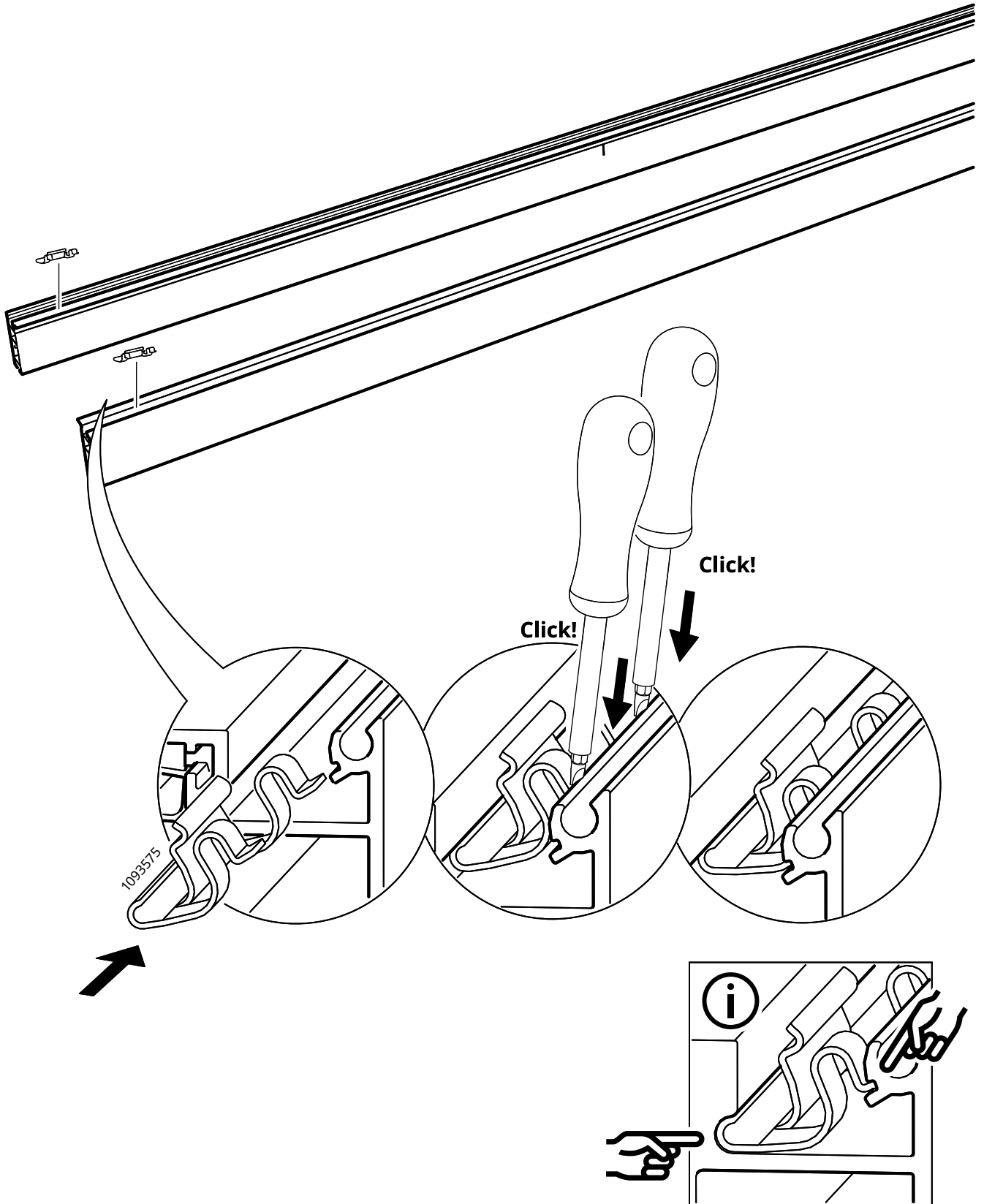
5

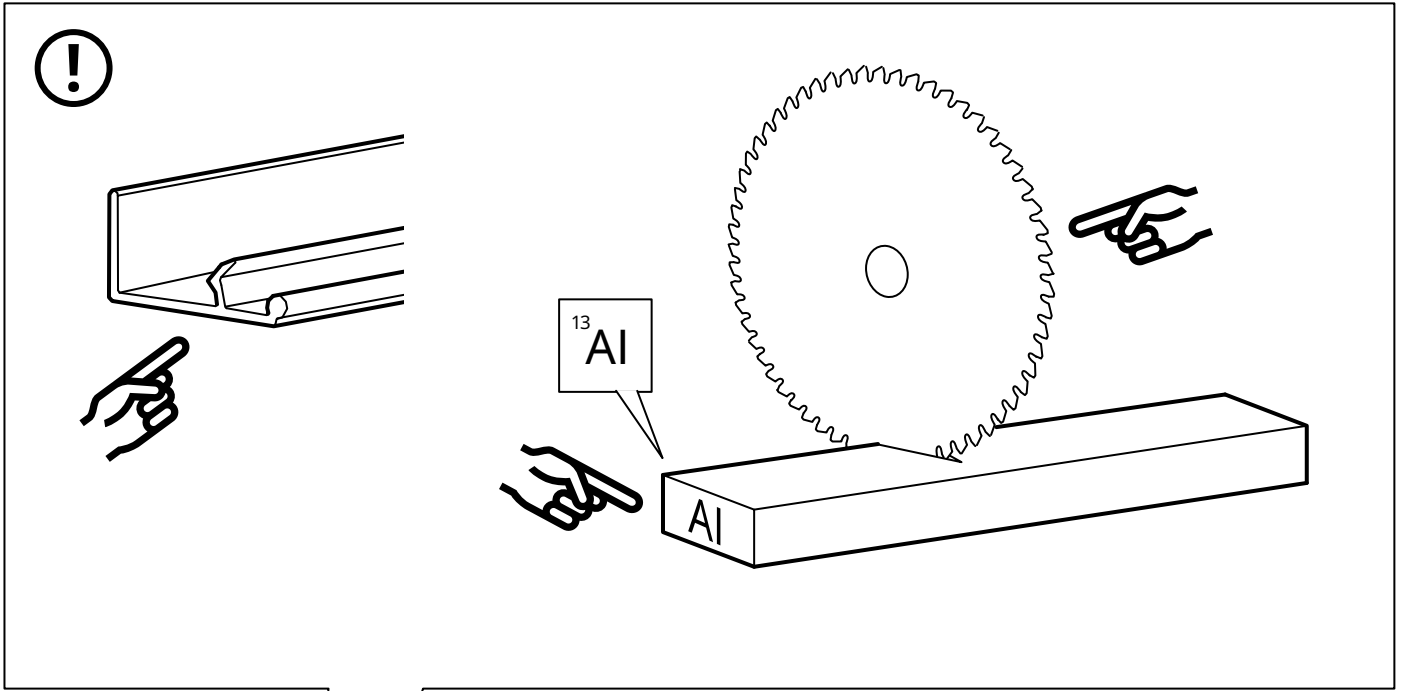


6

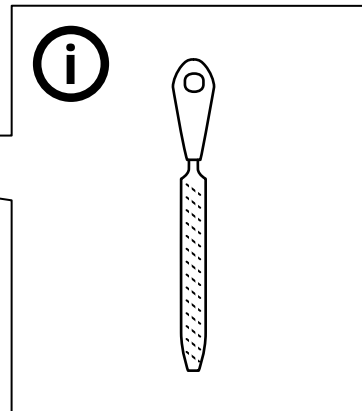
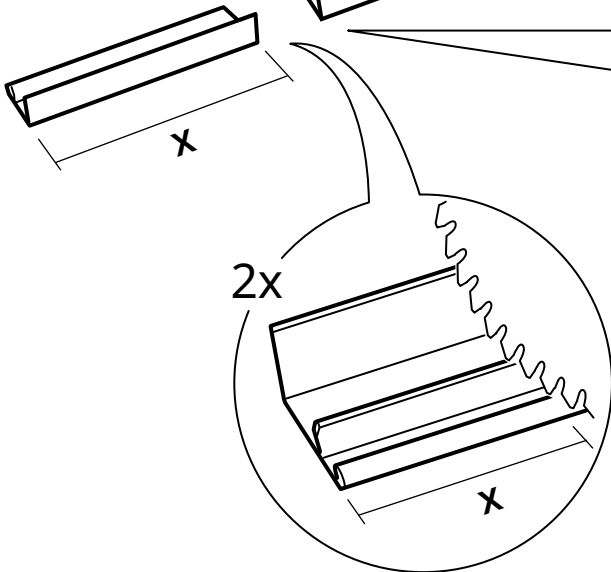
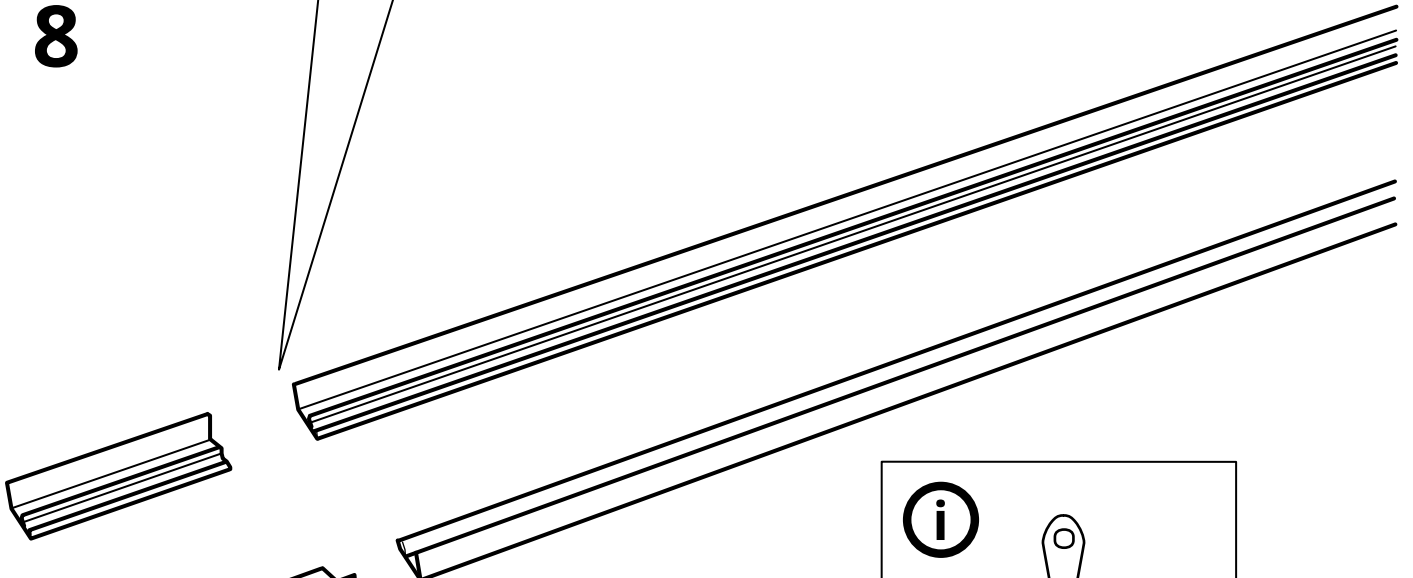


7

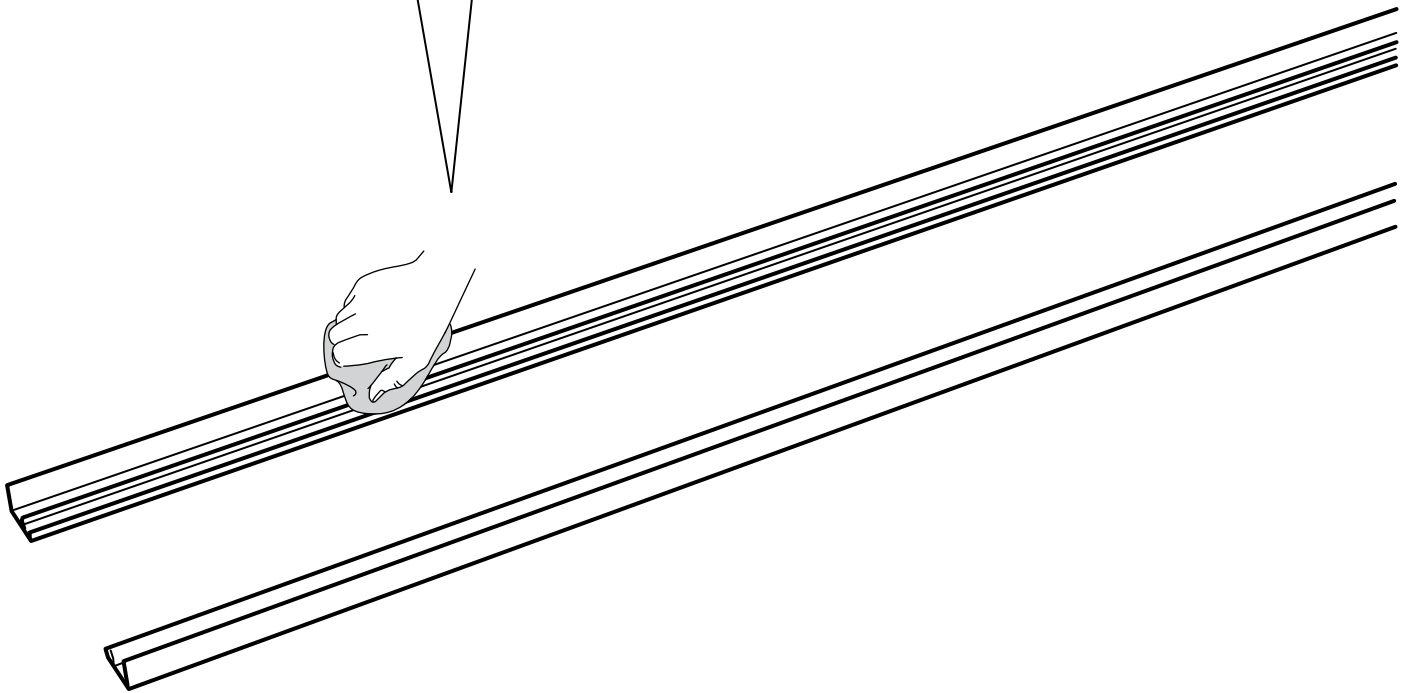
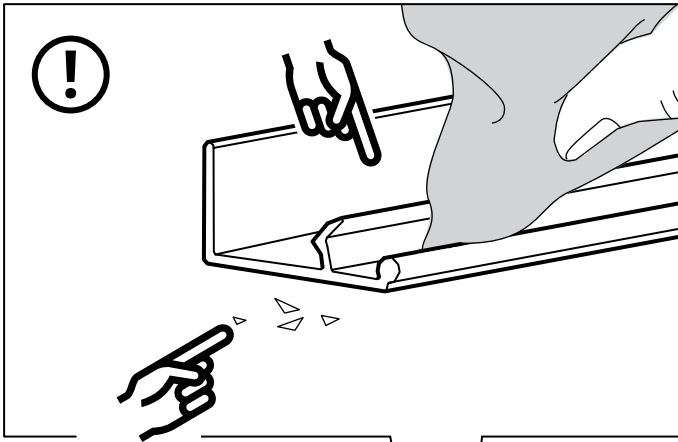




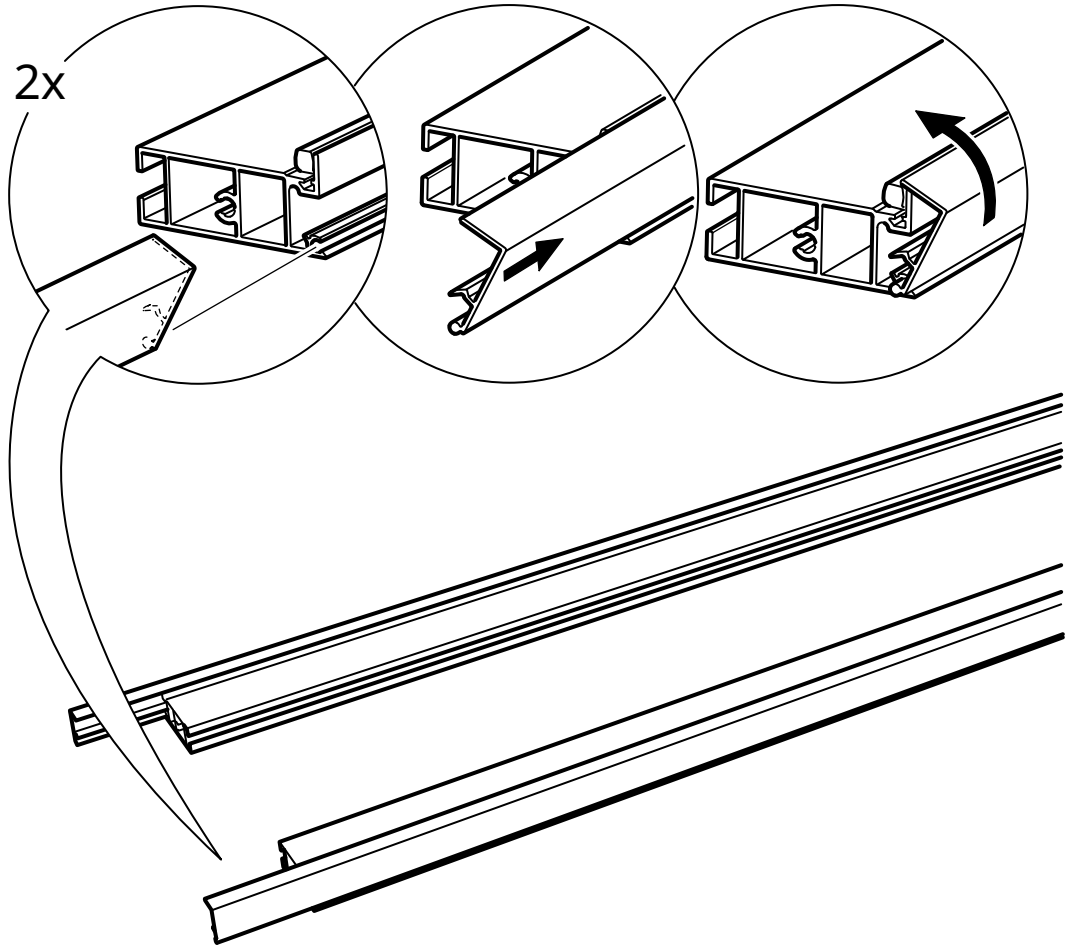
8



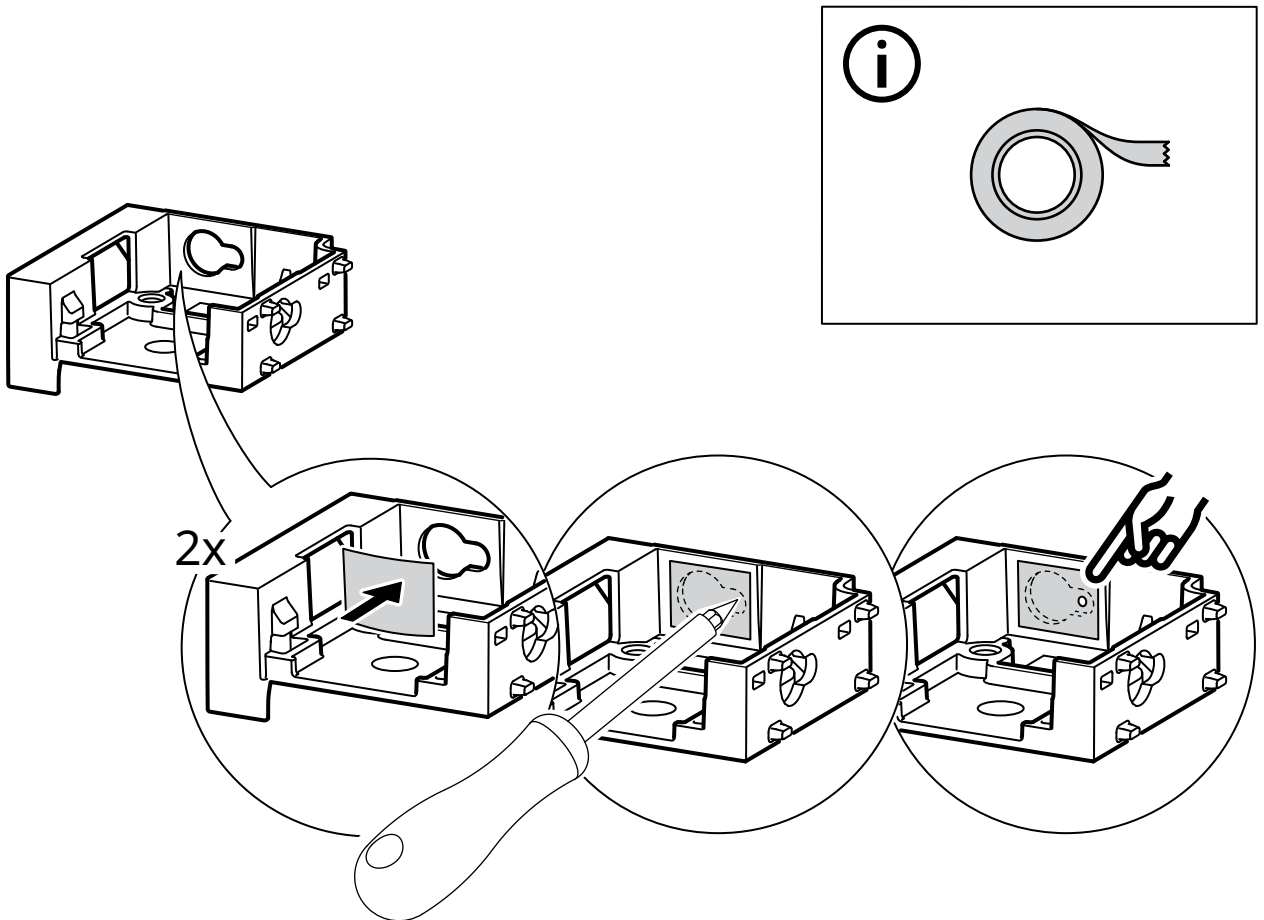
9



10



11



12

