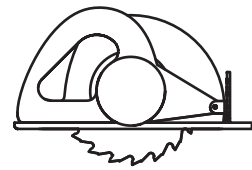
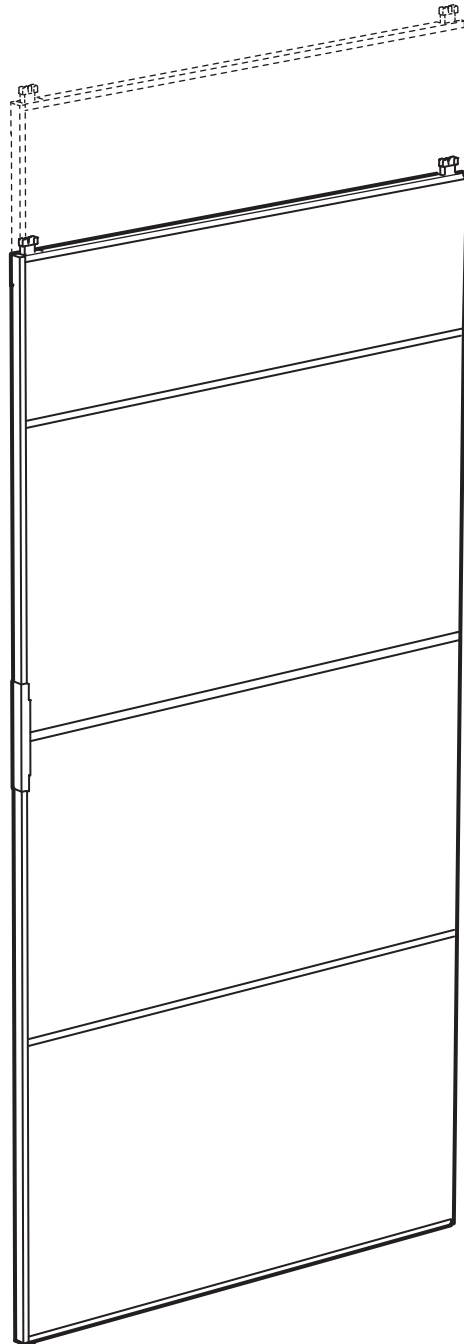
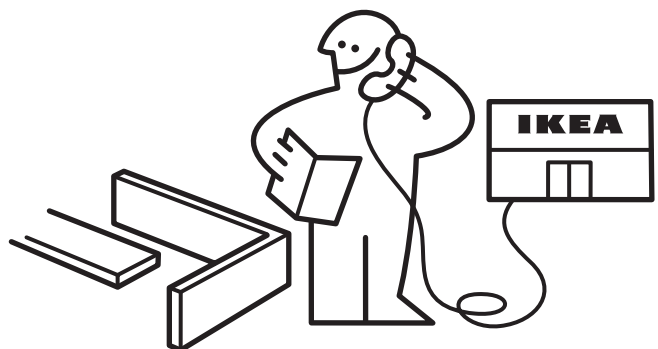
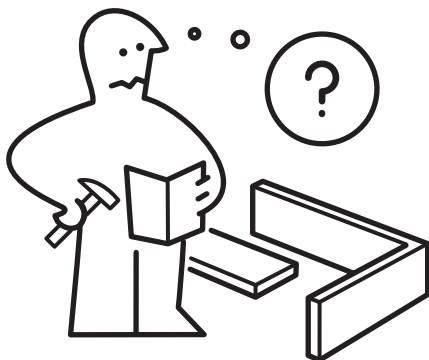
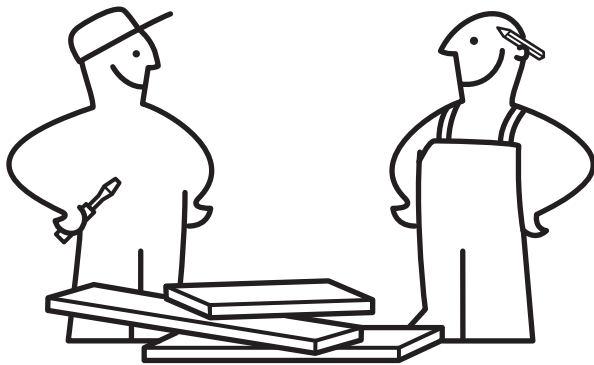
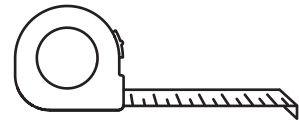
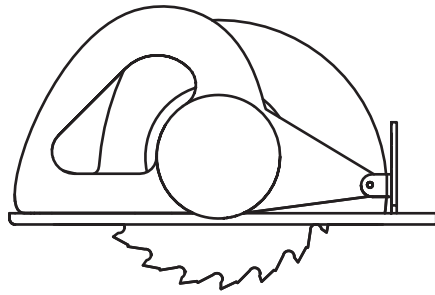
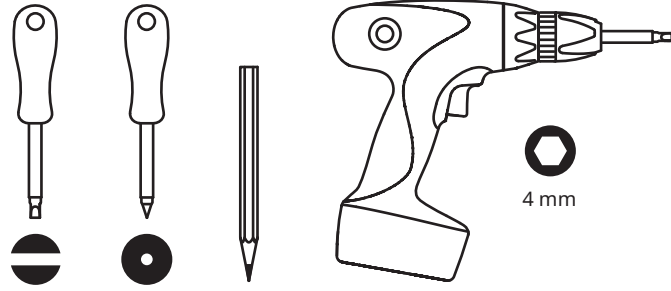
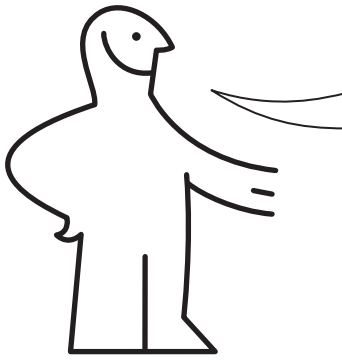


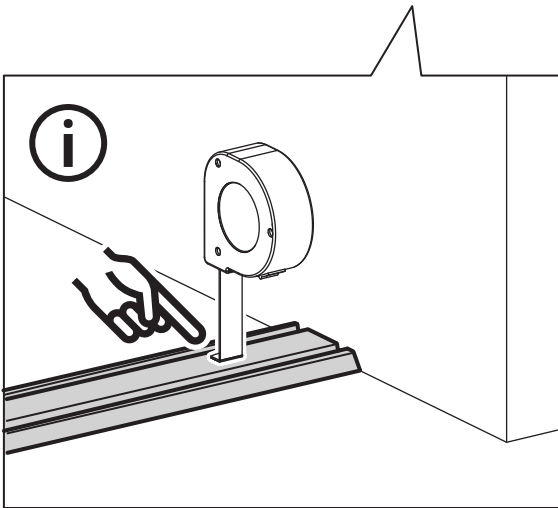
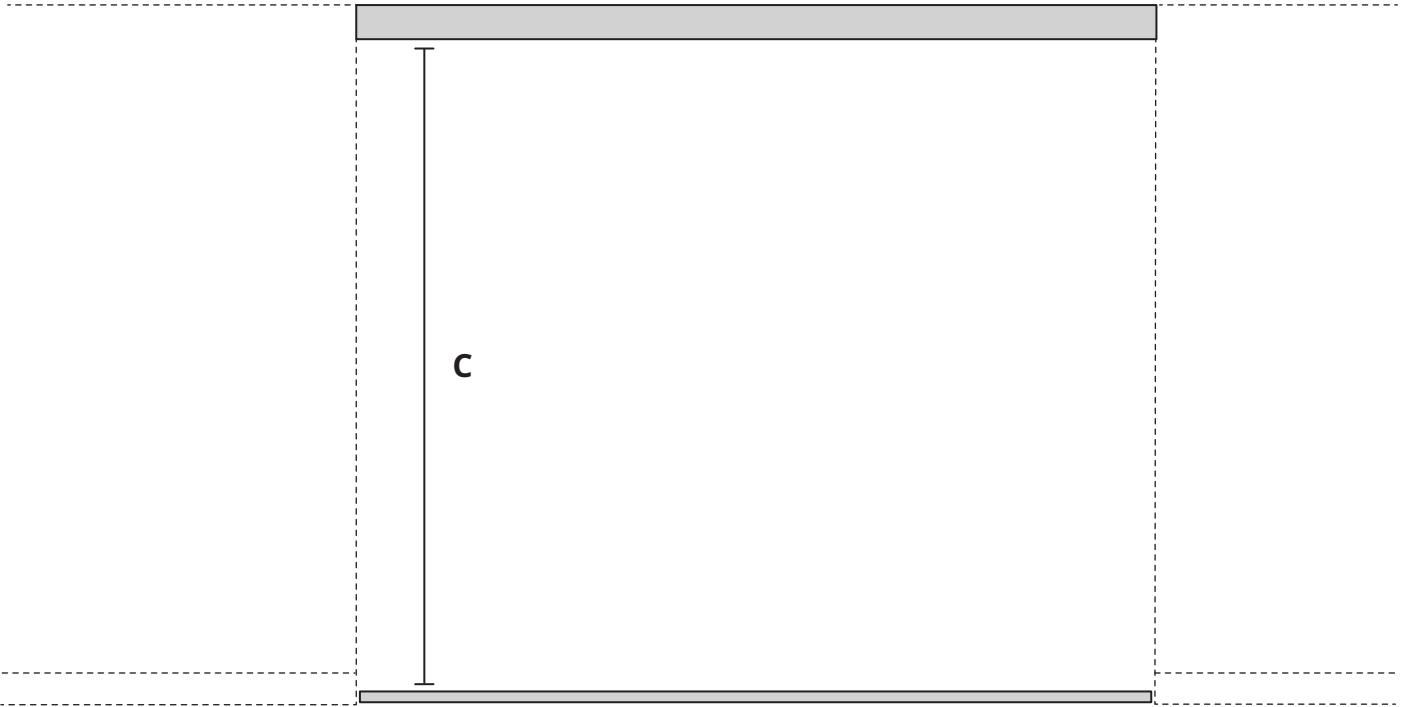
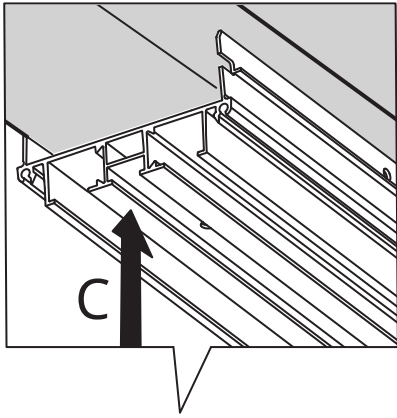
SKYTTA



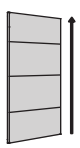
Design and Quality
IKEA of Sweden



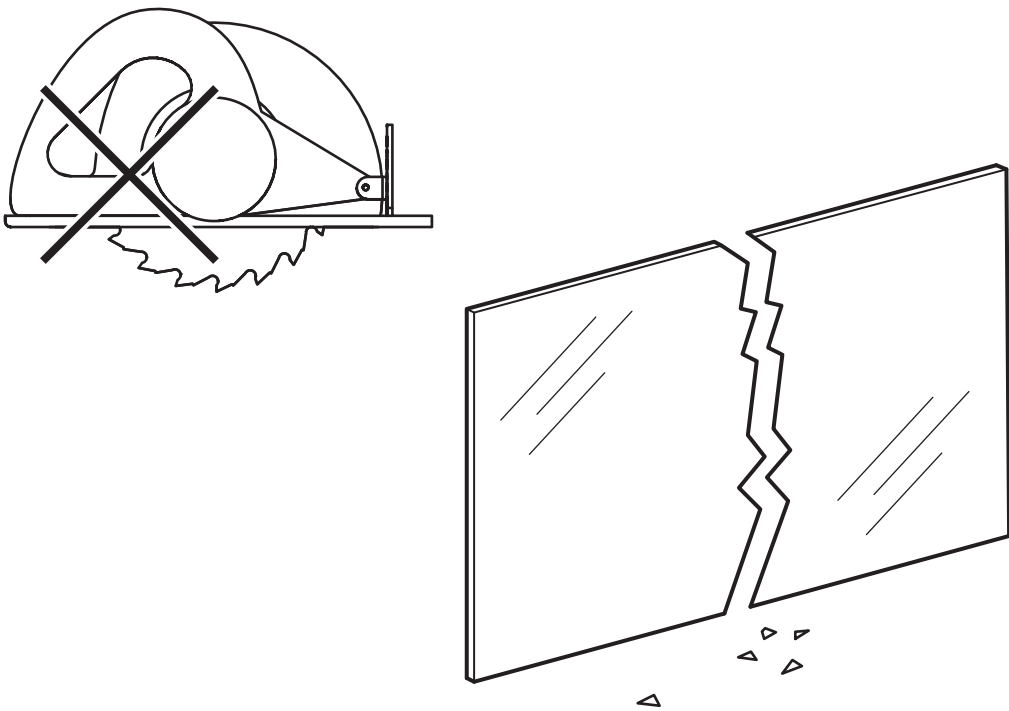
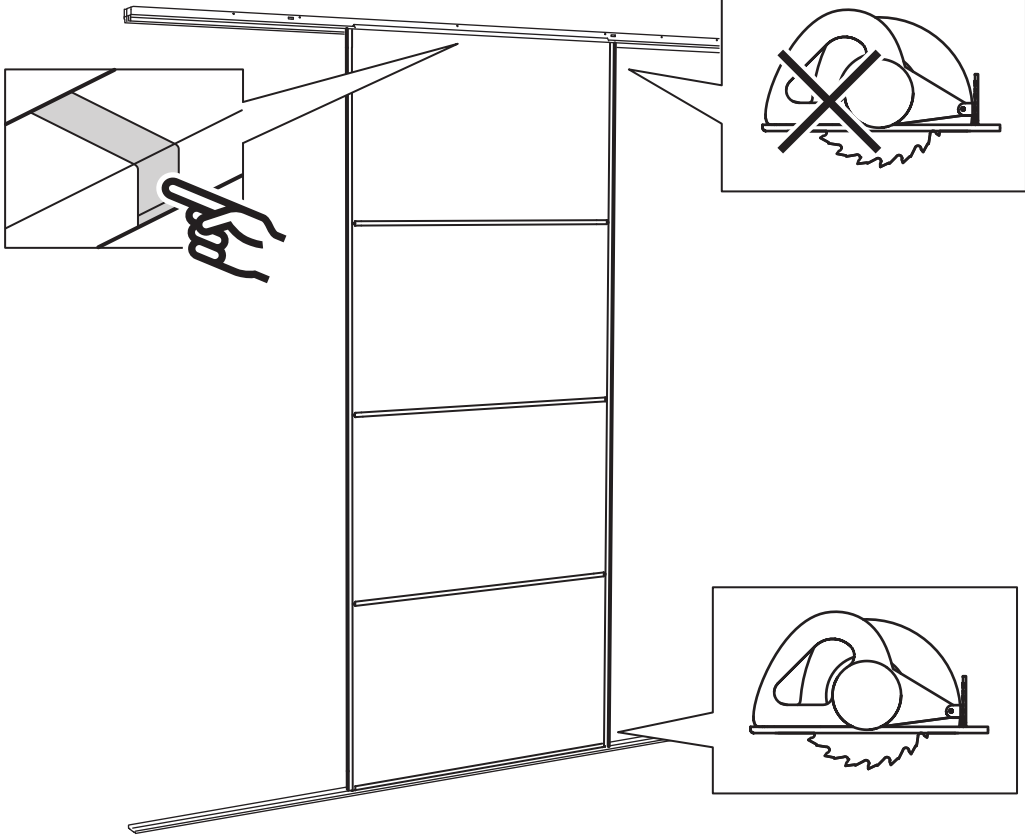
1



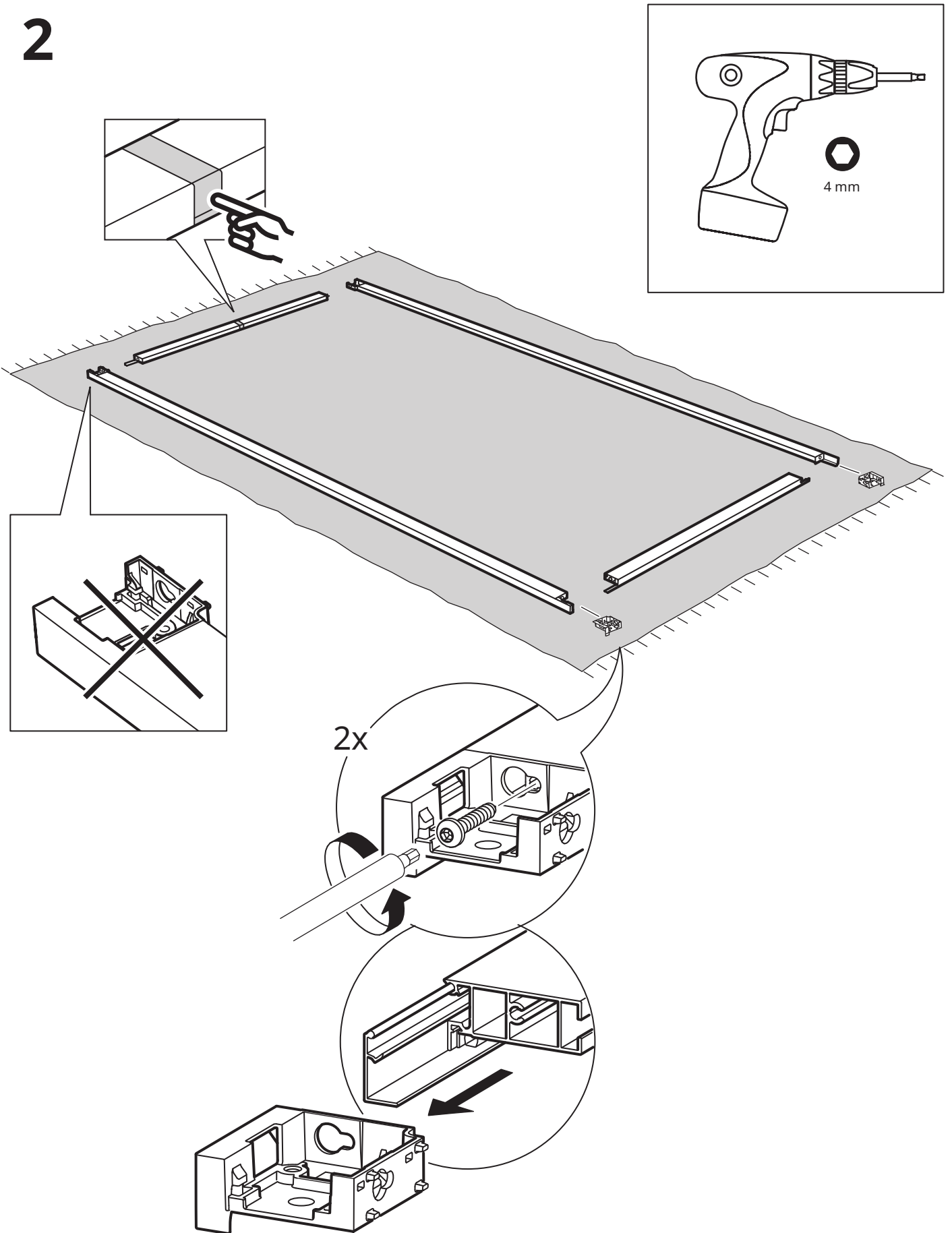
X = _____ mm

	1987 mm - C = X
1960 mm	

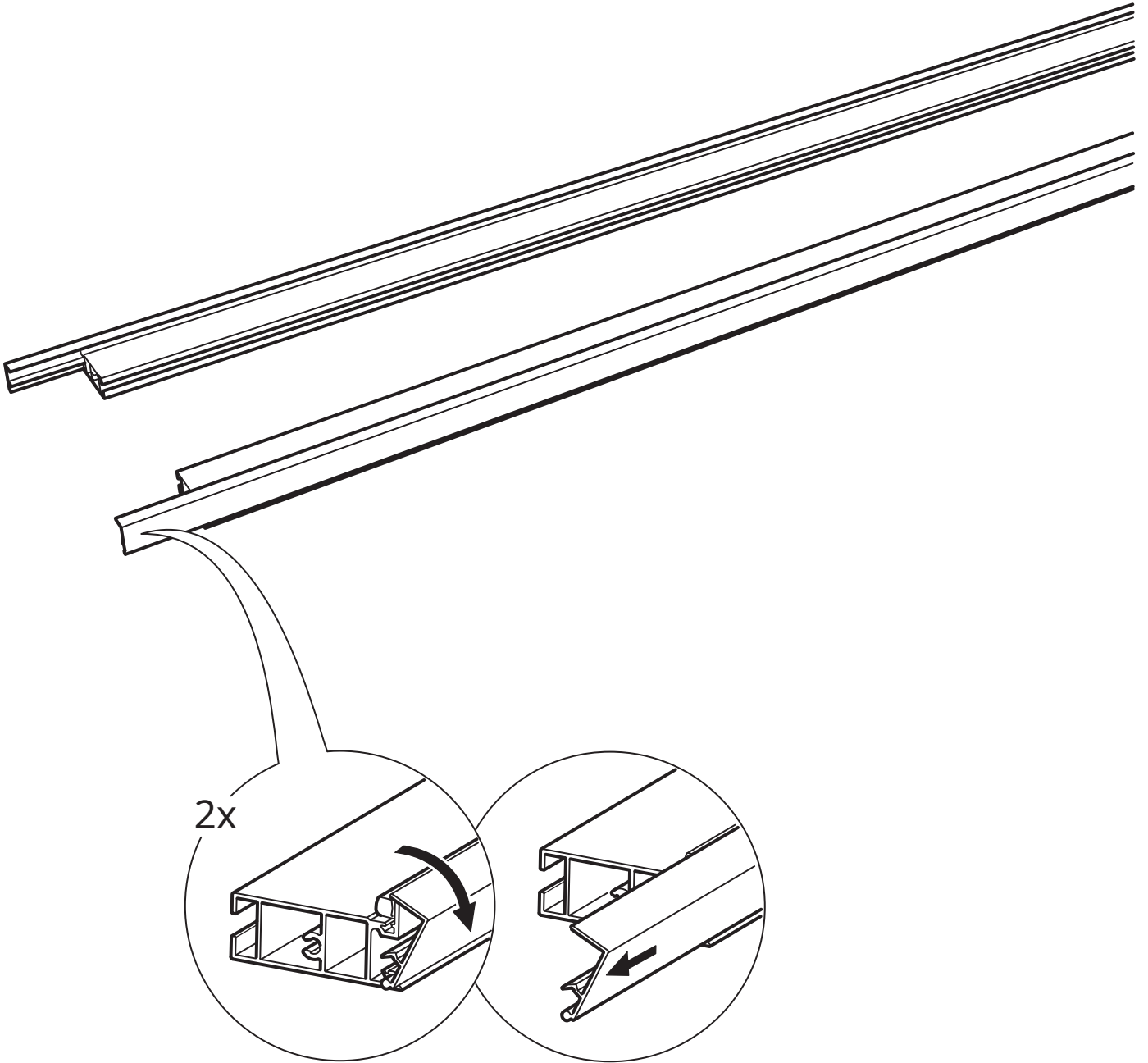
	2339 mm - C = X
2310 mm	



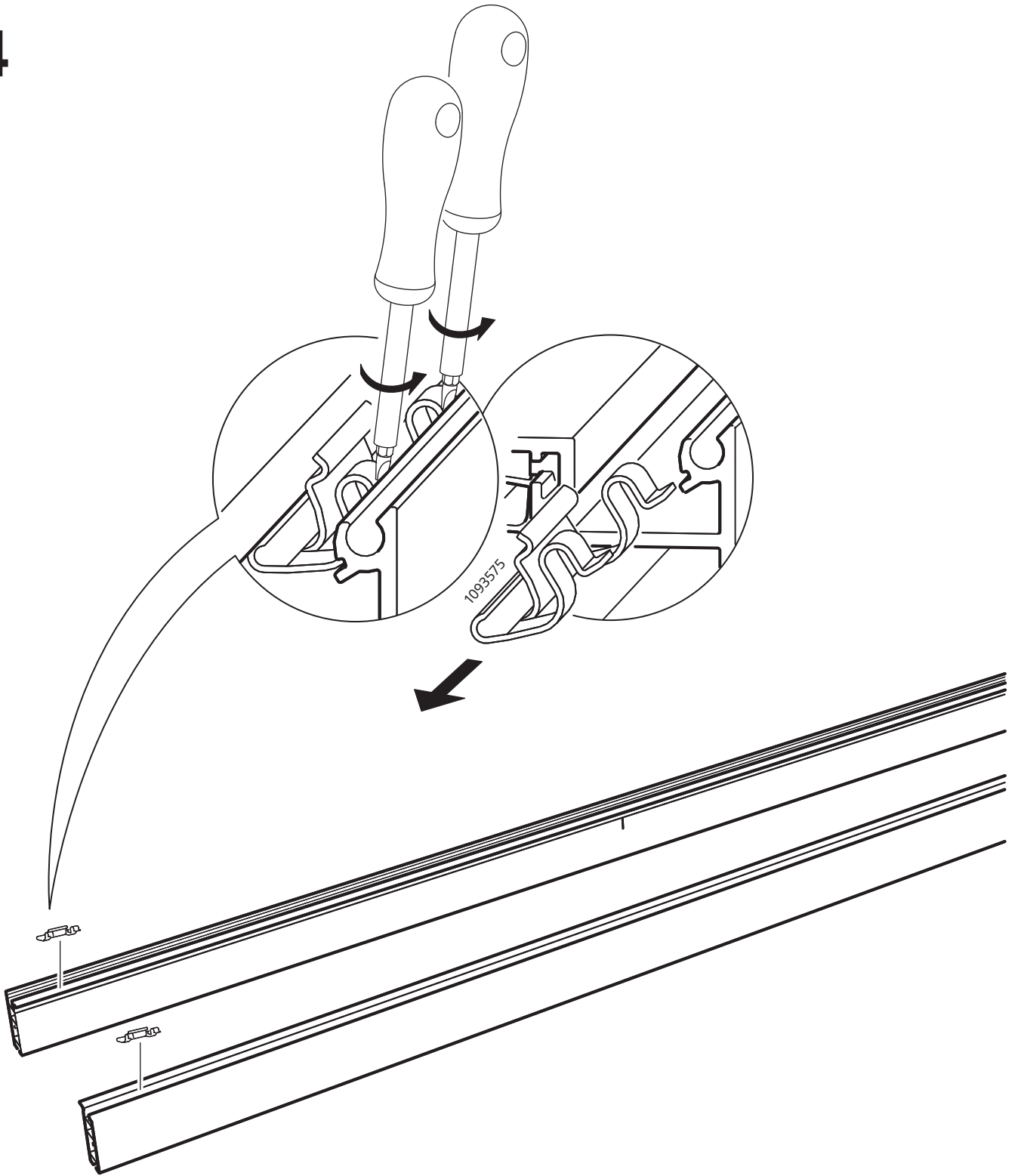
2

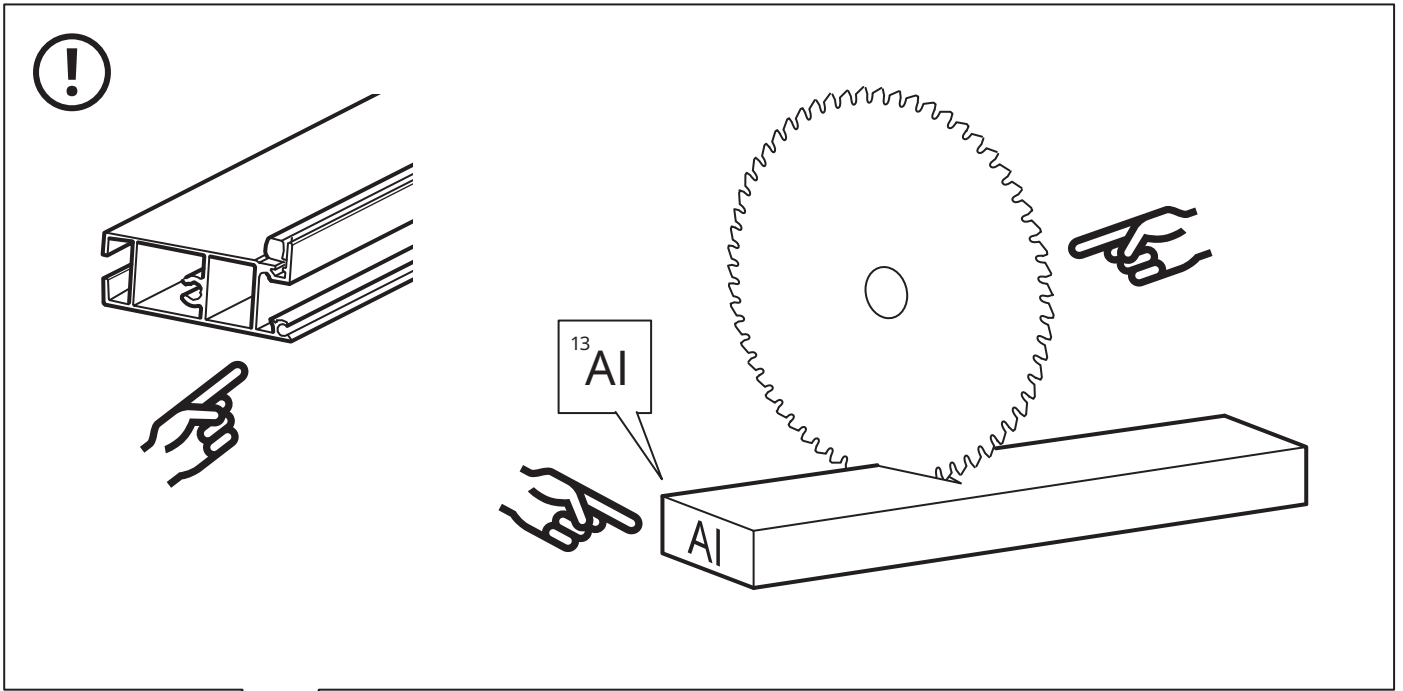


3

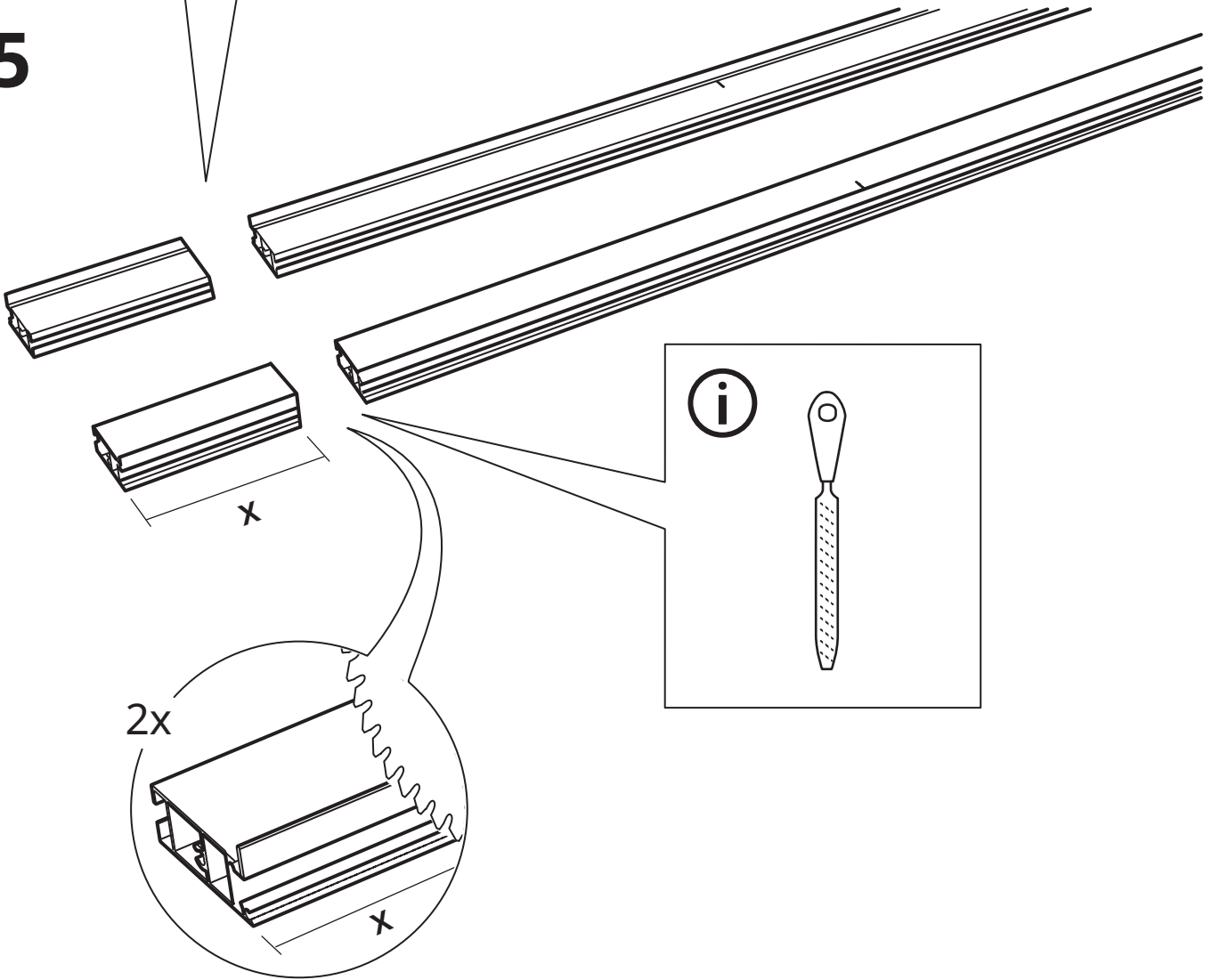


4

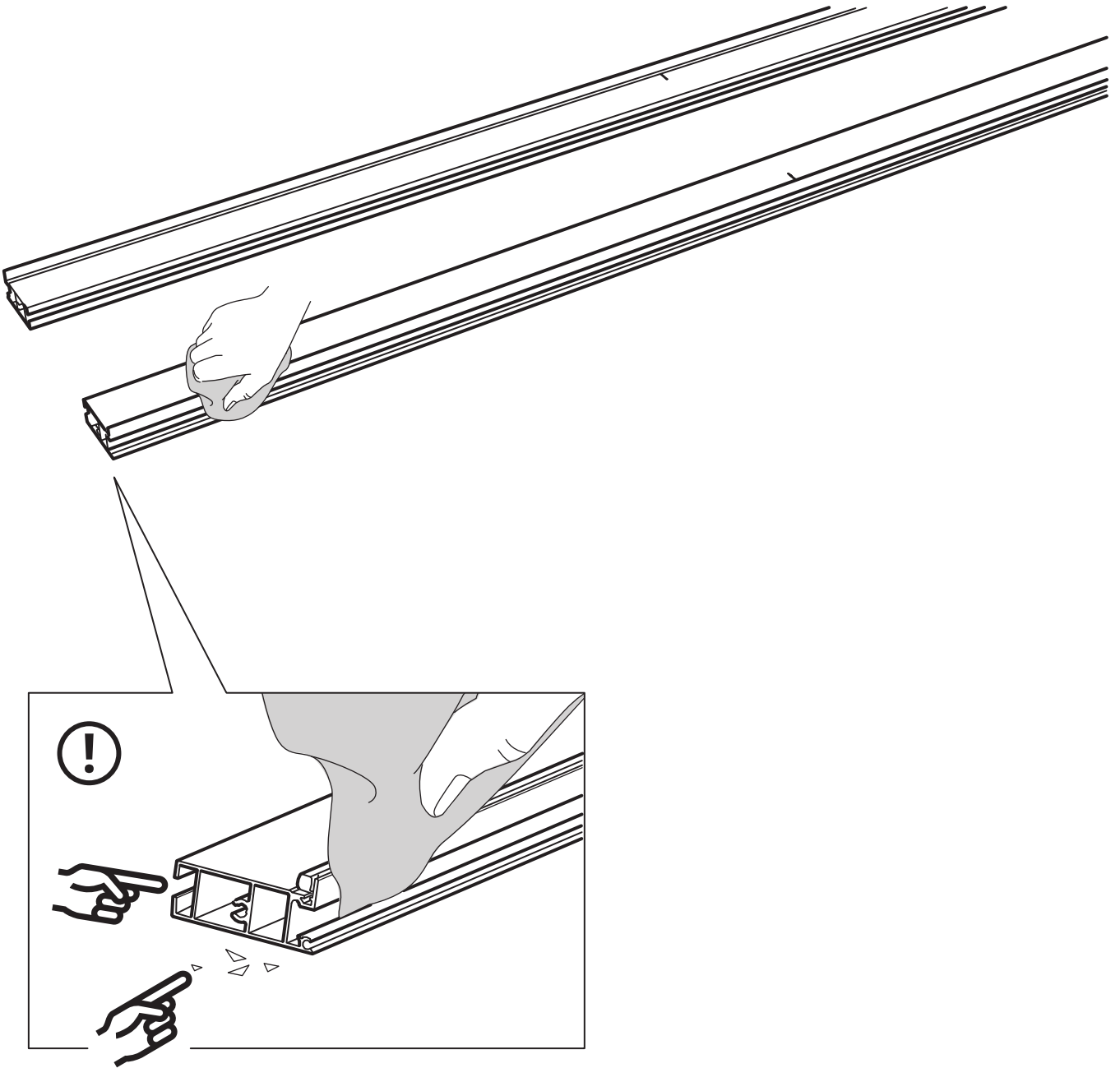


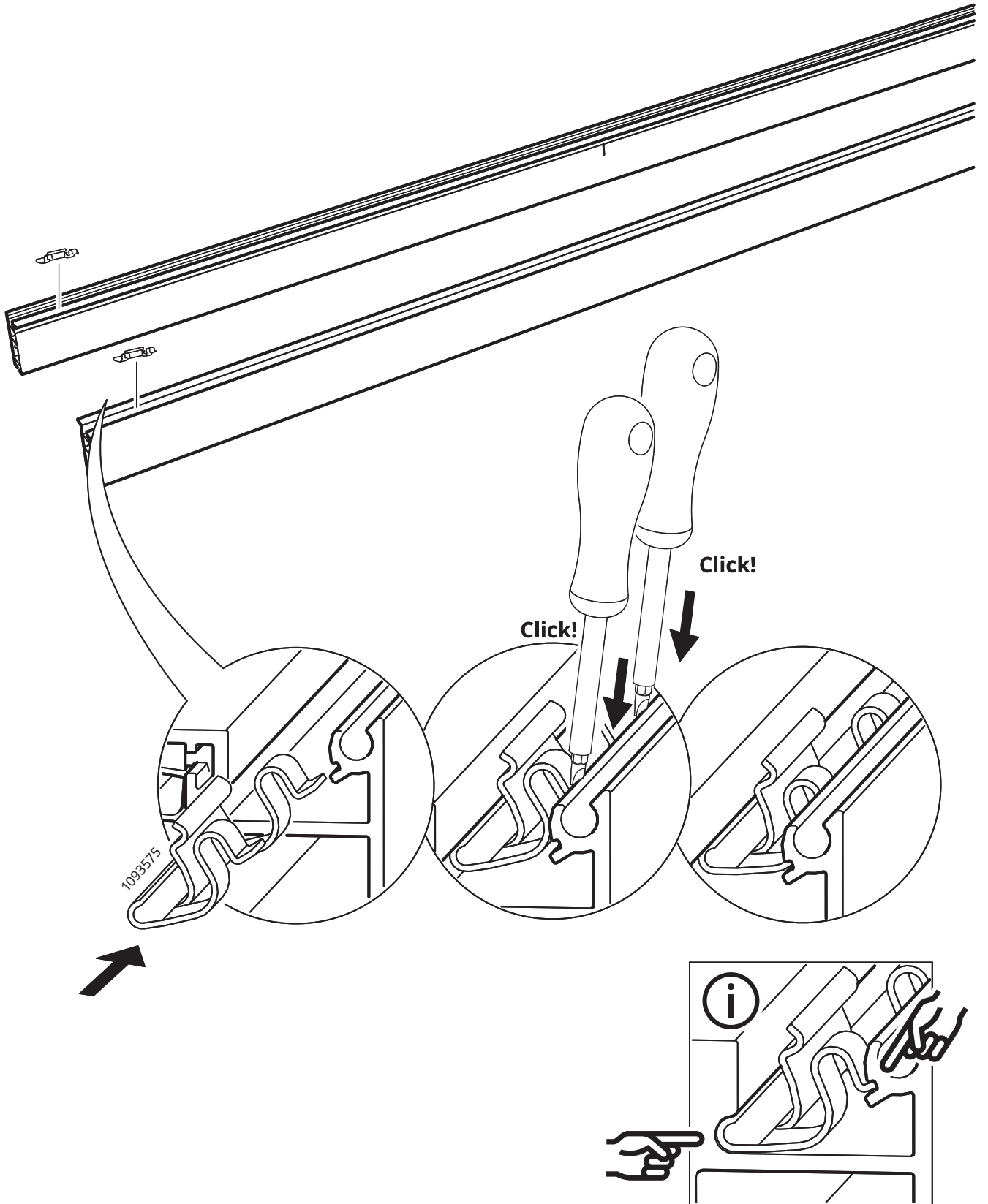


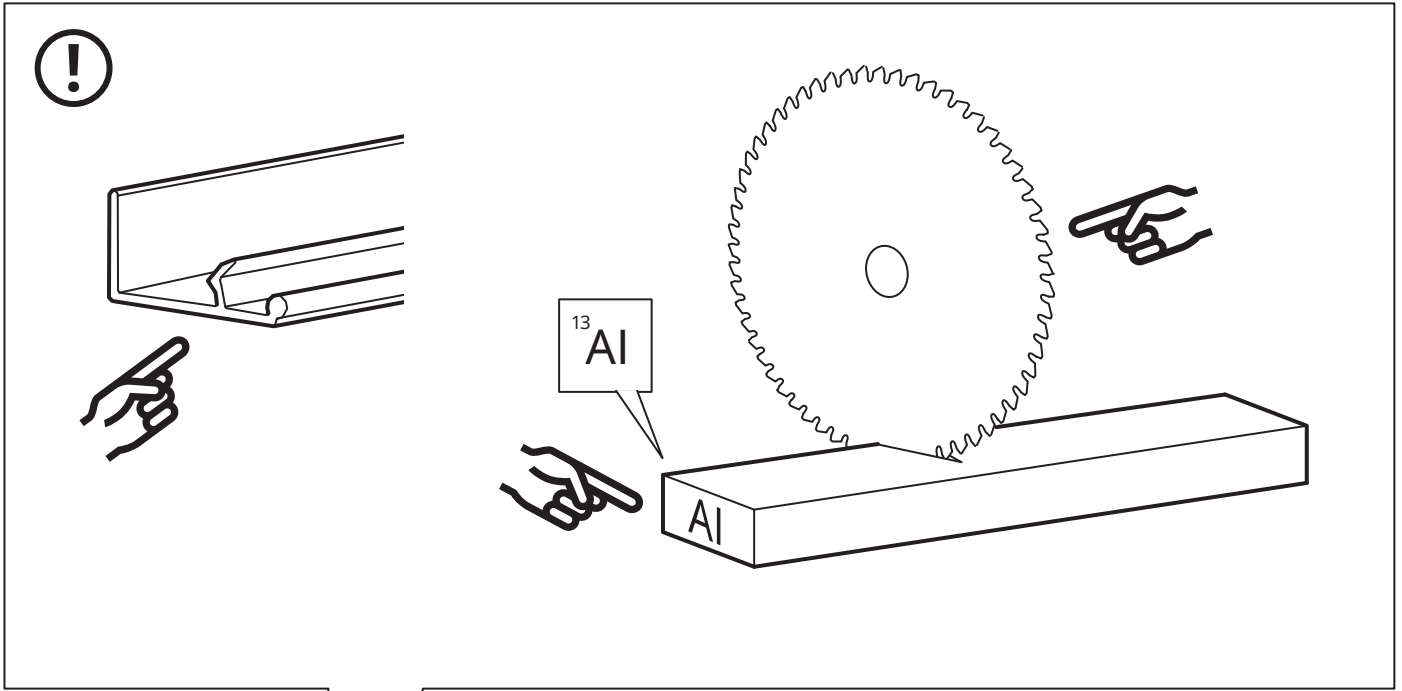
5



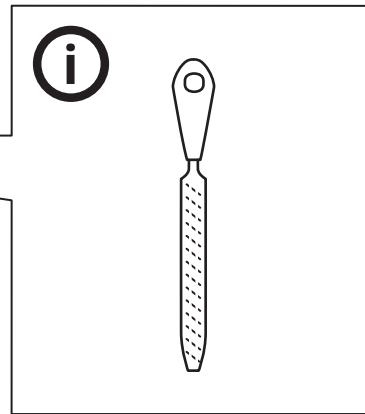
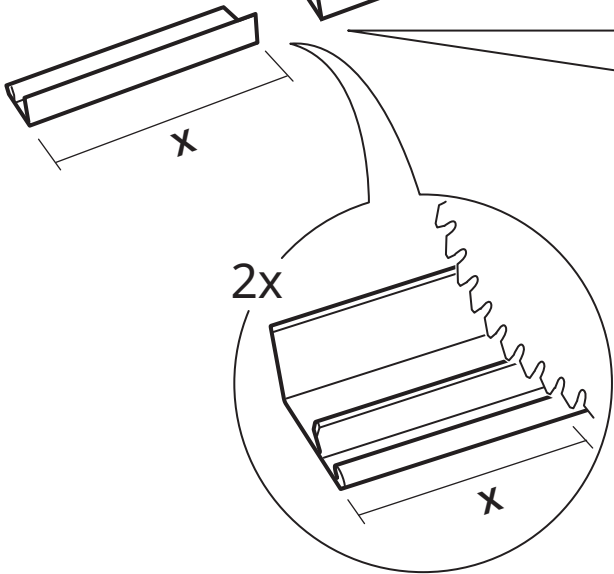
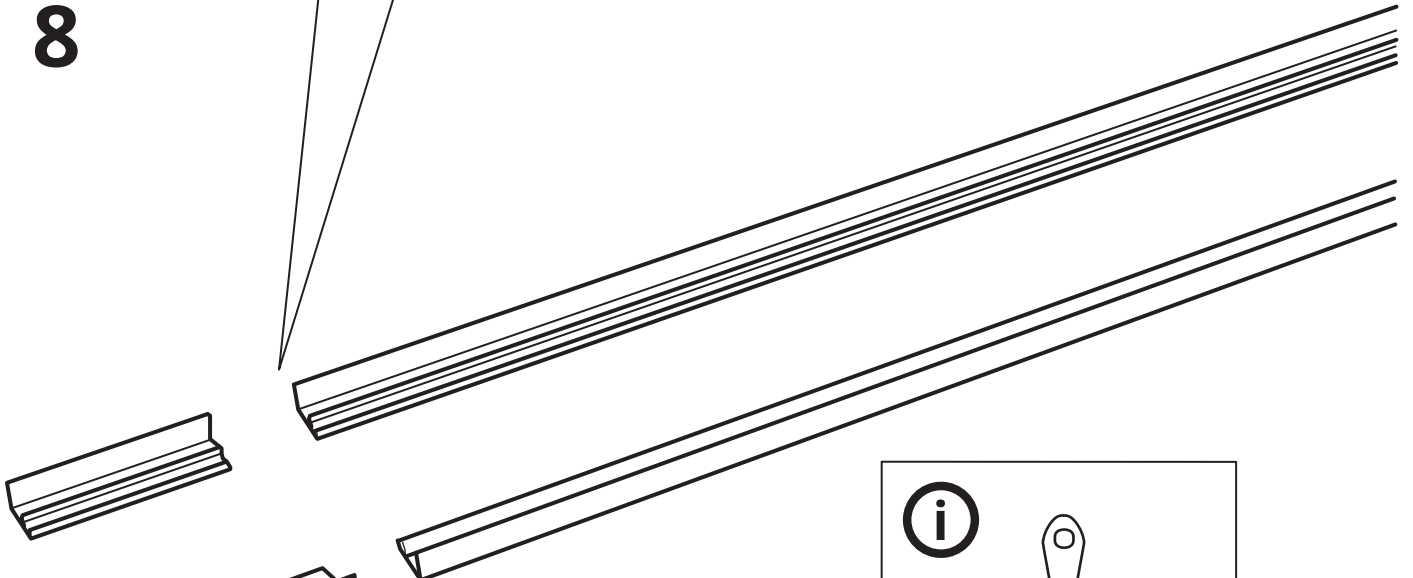
6



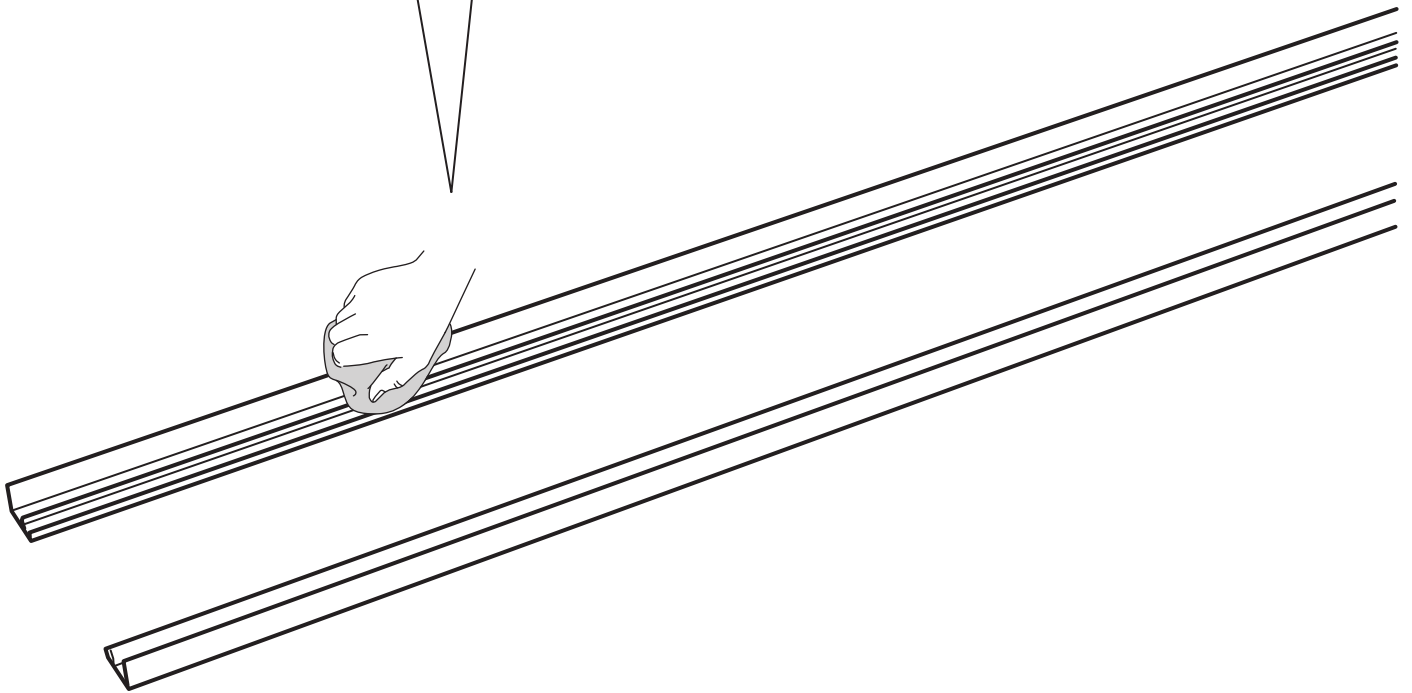
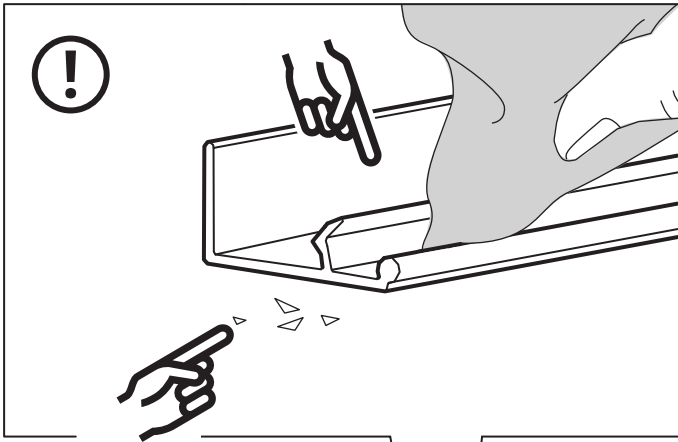




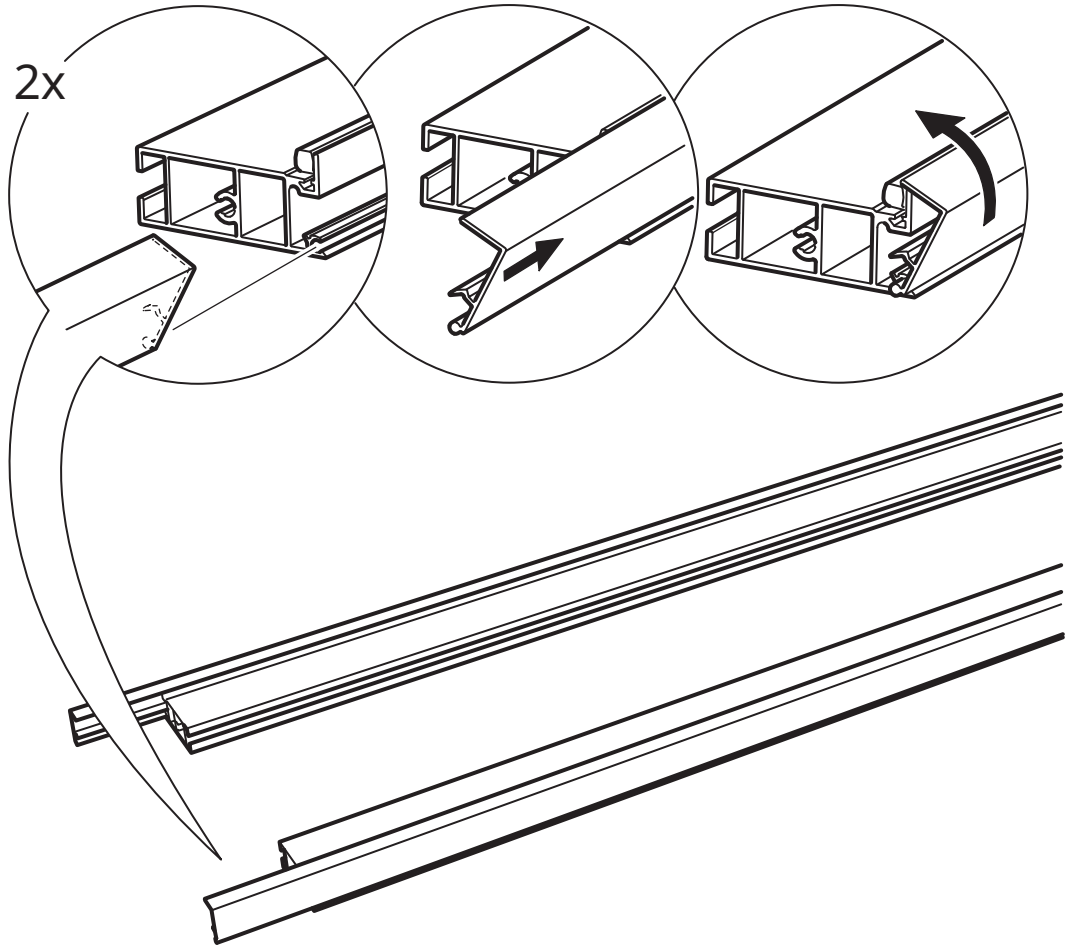
8



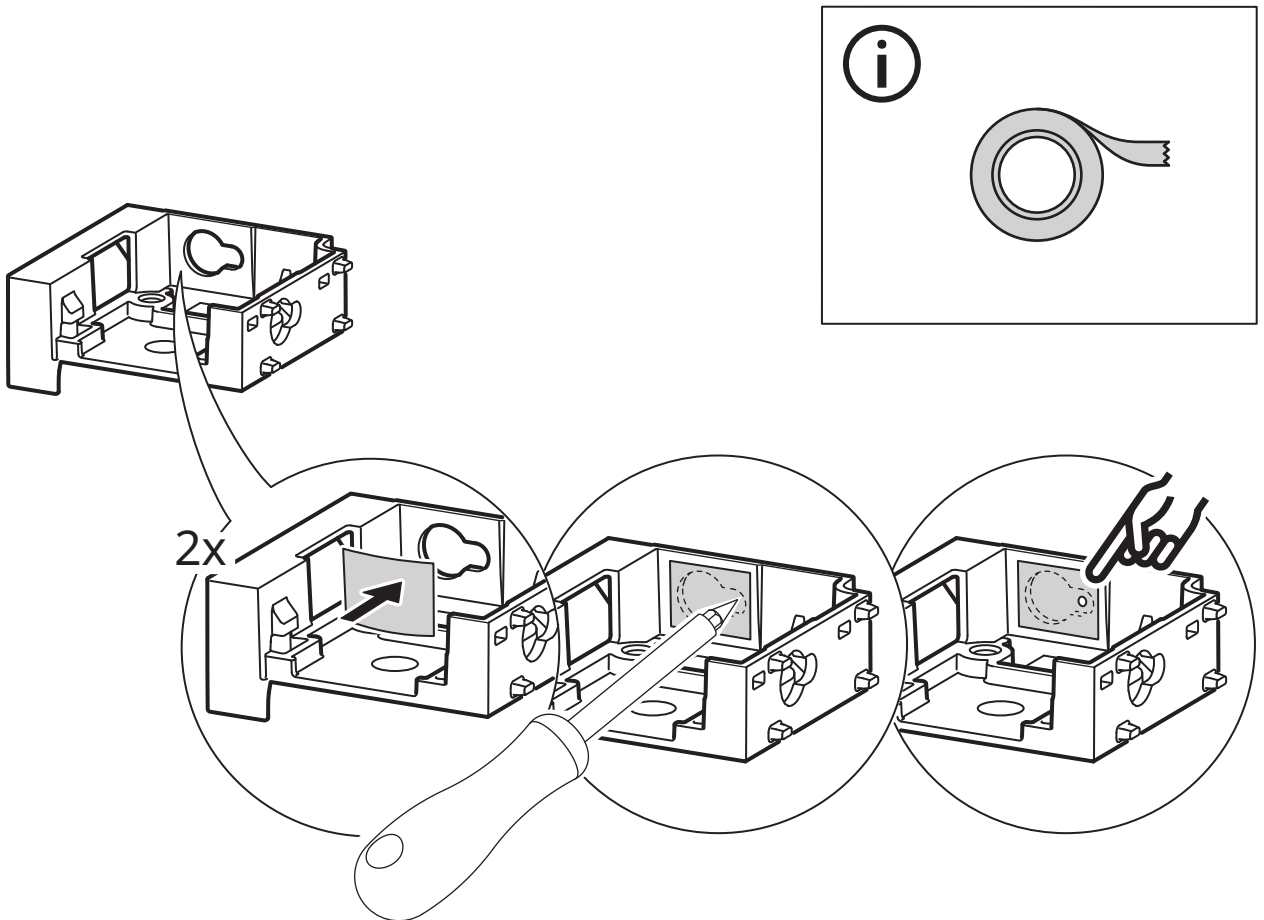
9



10



11



12

