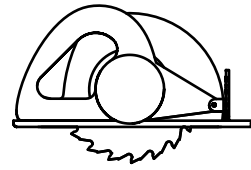
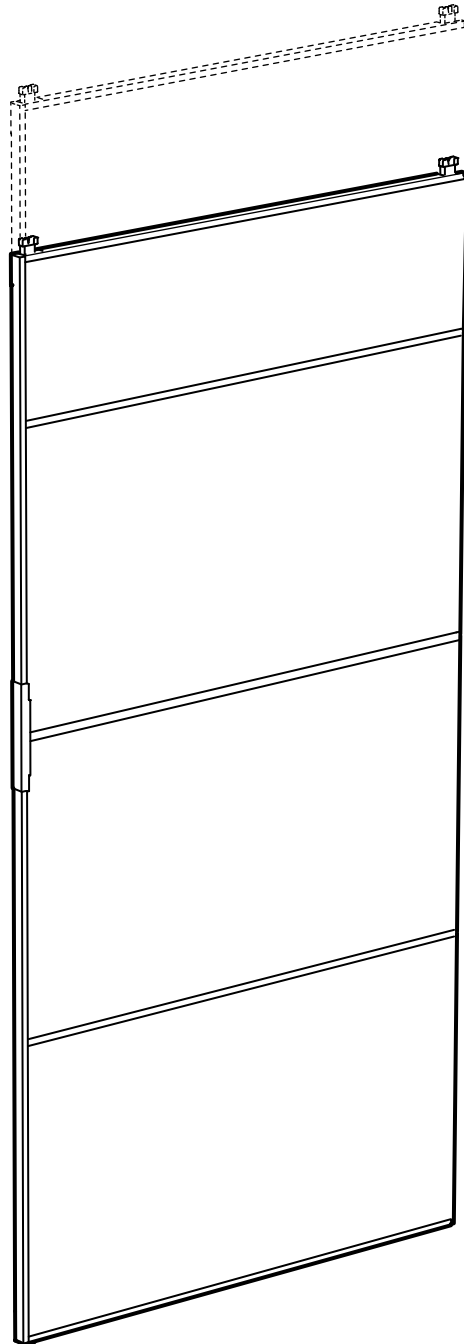
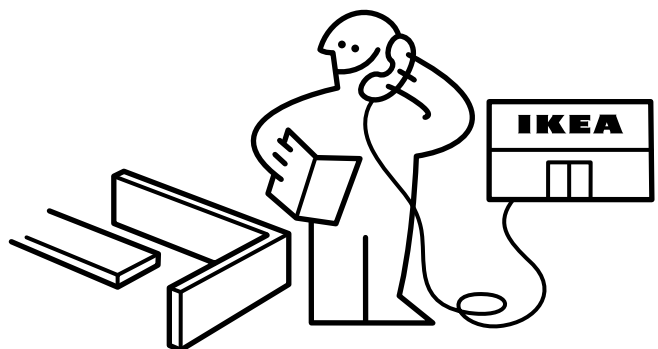
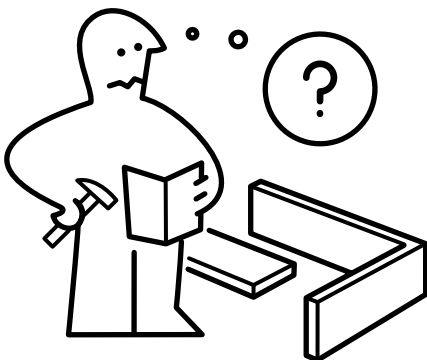
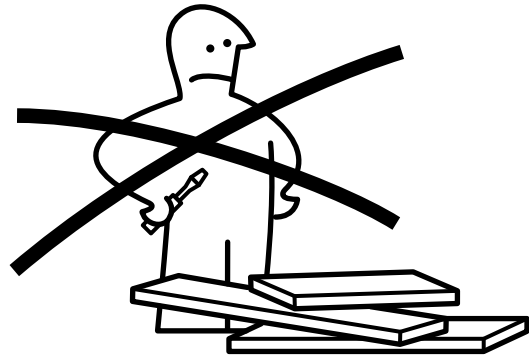
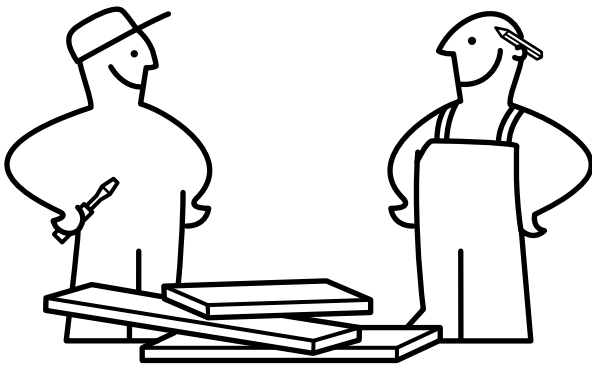
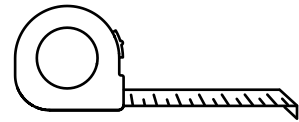
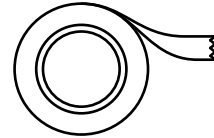
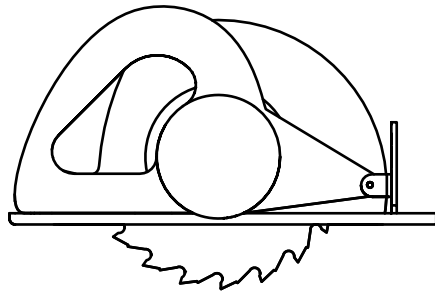
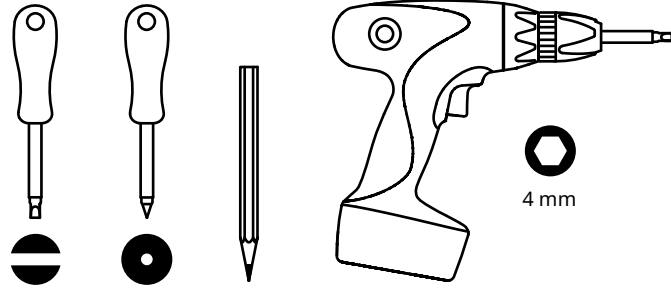
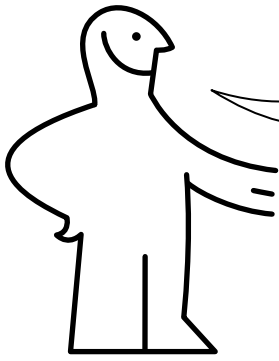


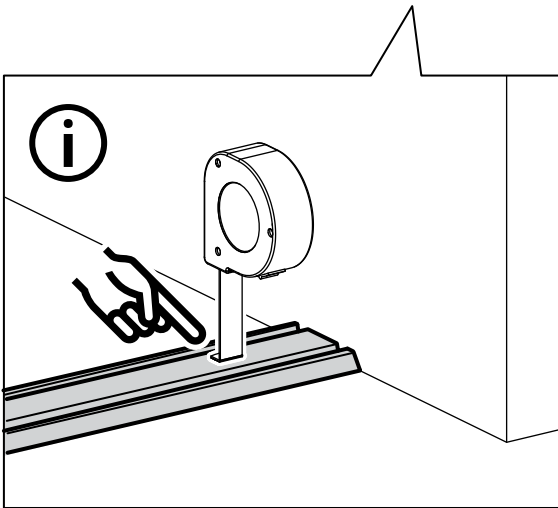
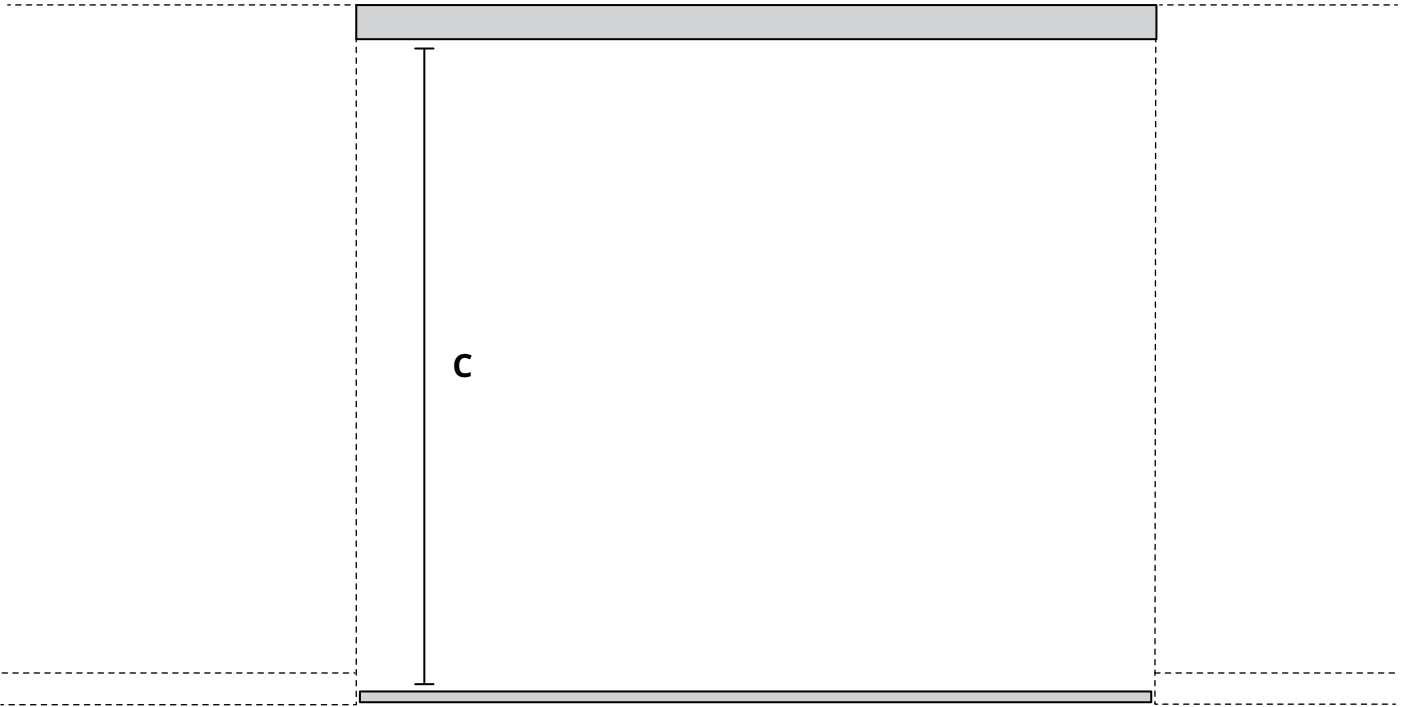
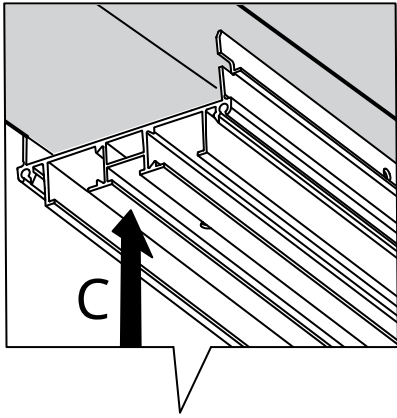
SKYTTA



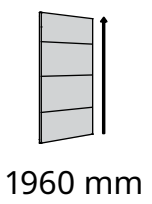
Design and Quality
IKEA of Sweden

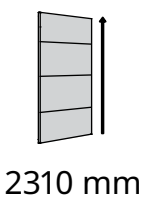


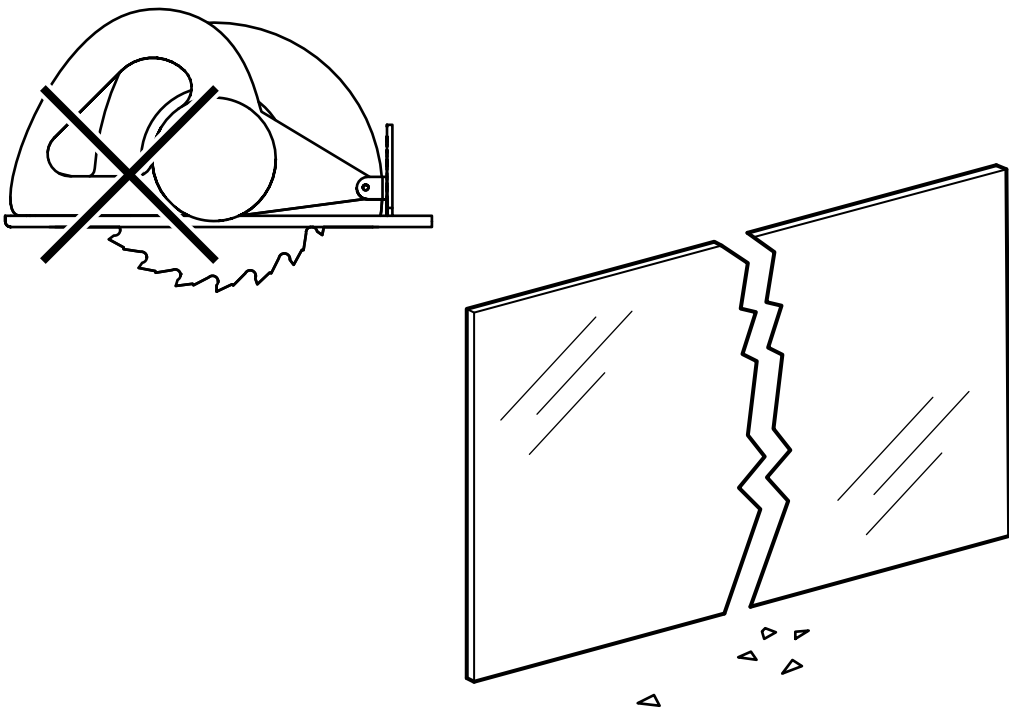
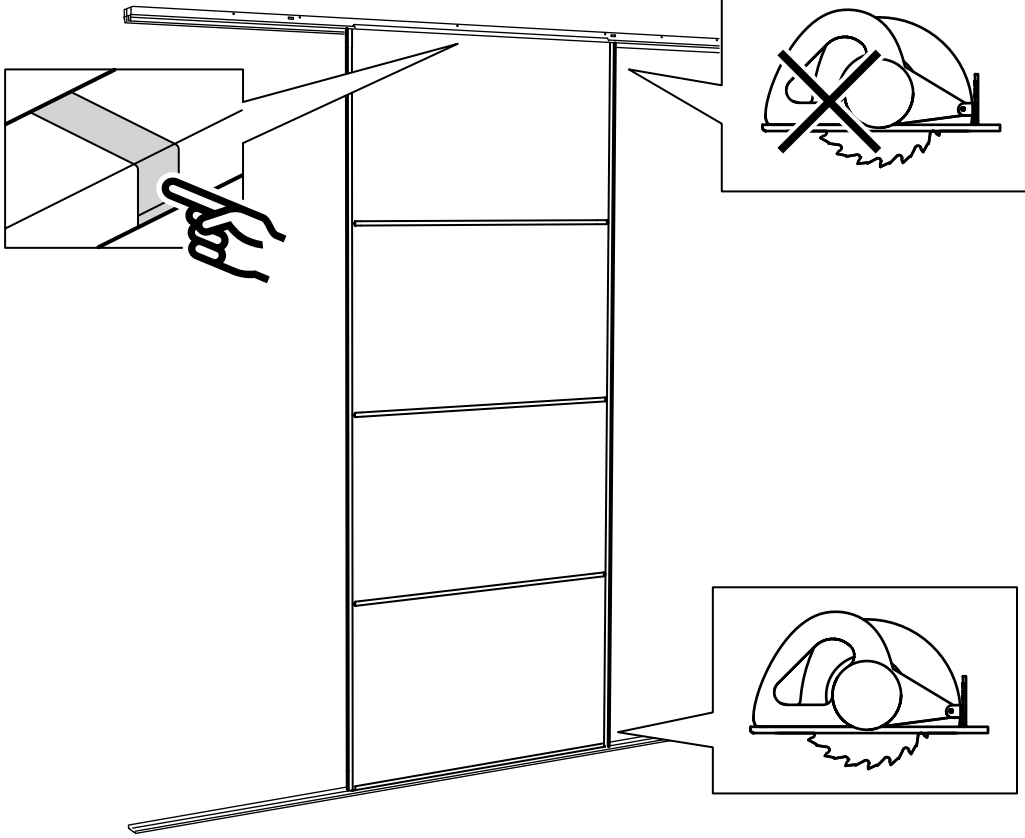
1



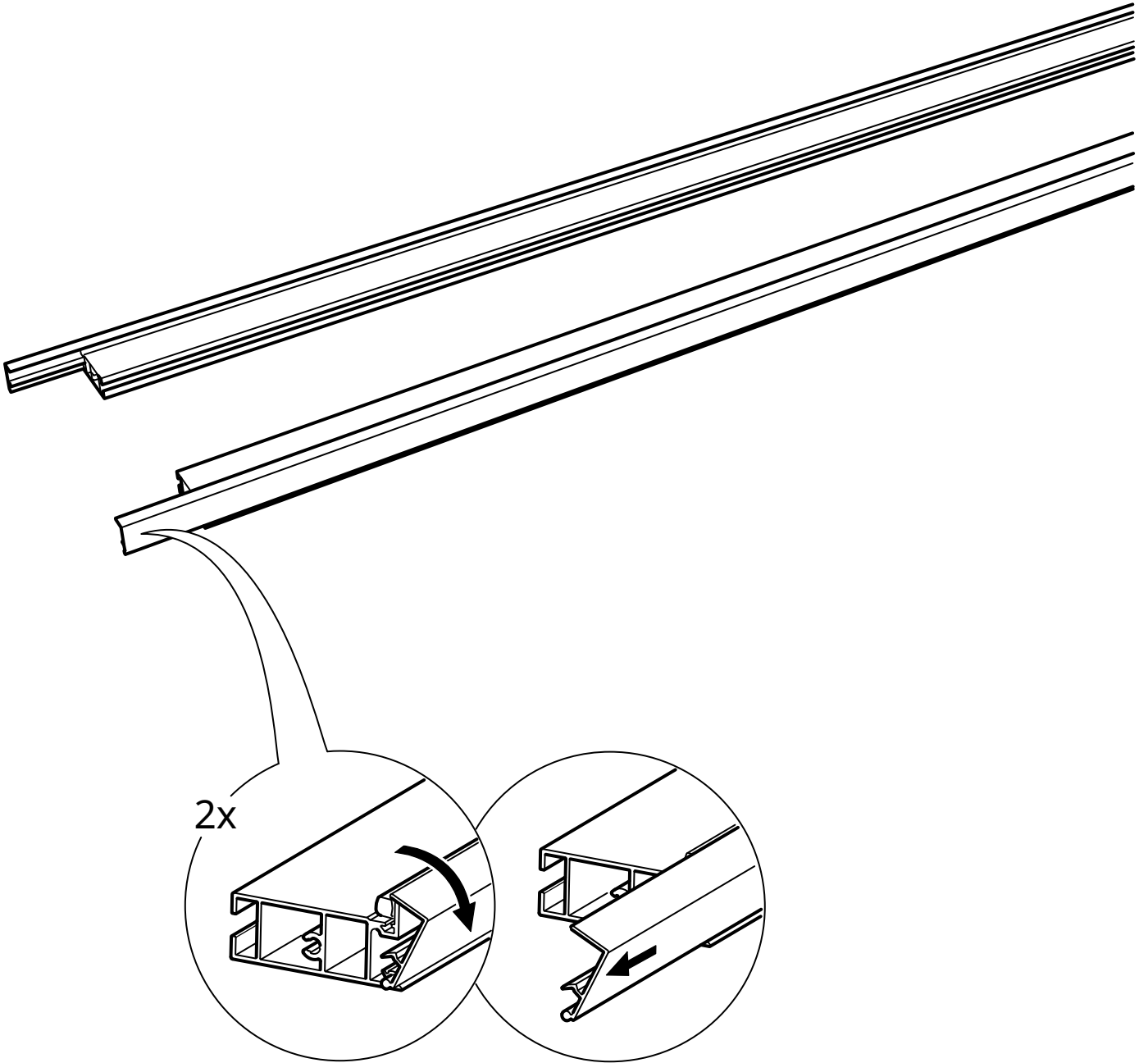
X = _____ mm

	$1987 \text{ mm} - C = X$
---	---------------------------

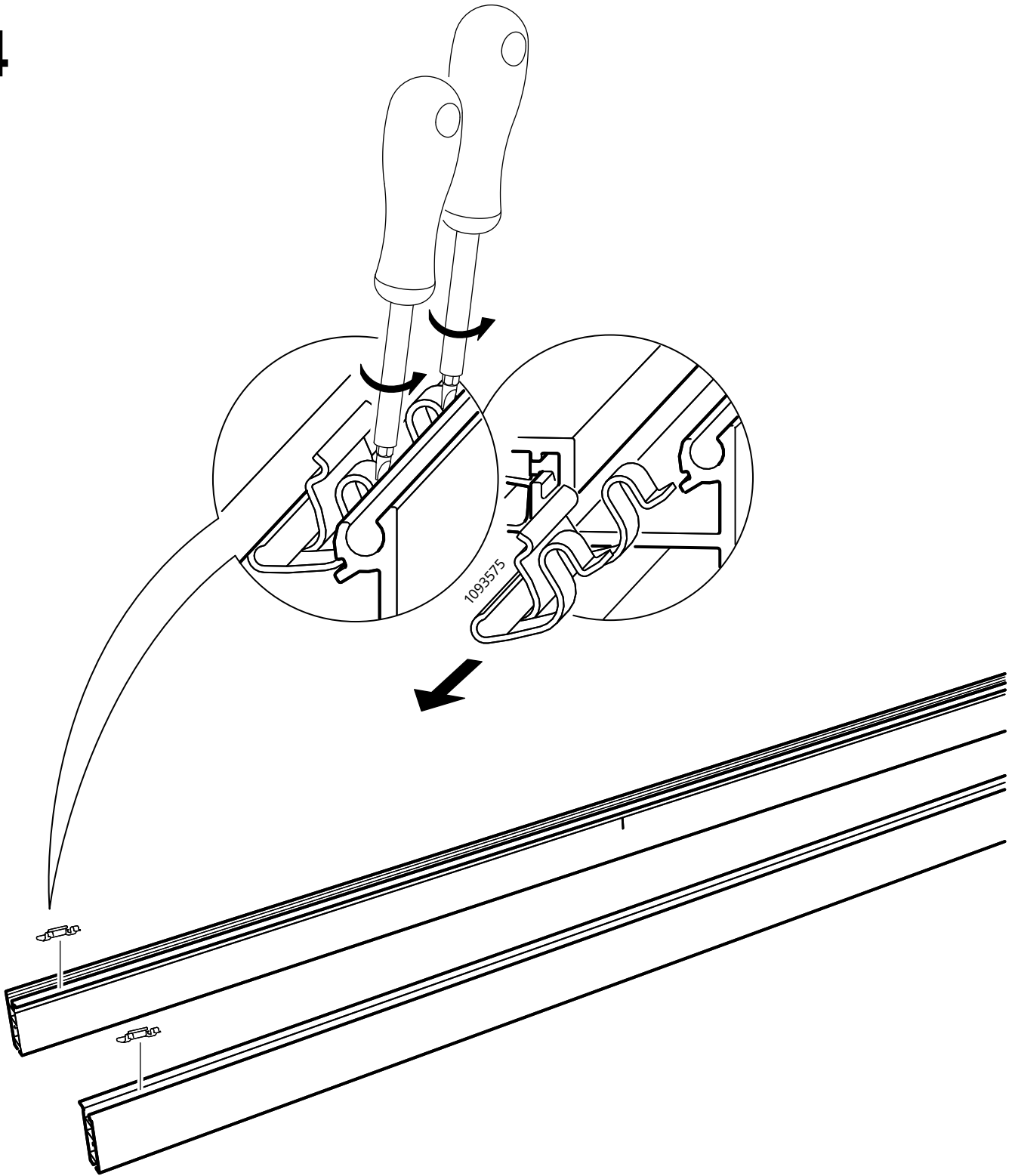
	$2339 \text{ mm} - C = X$
---	---------------------------

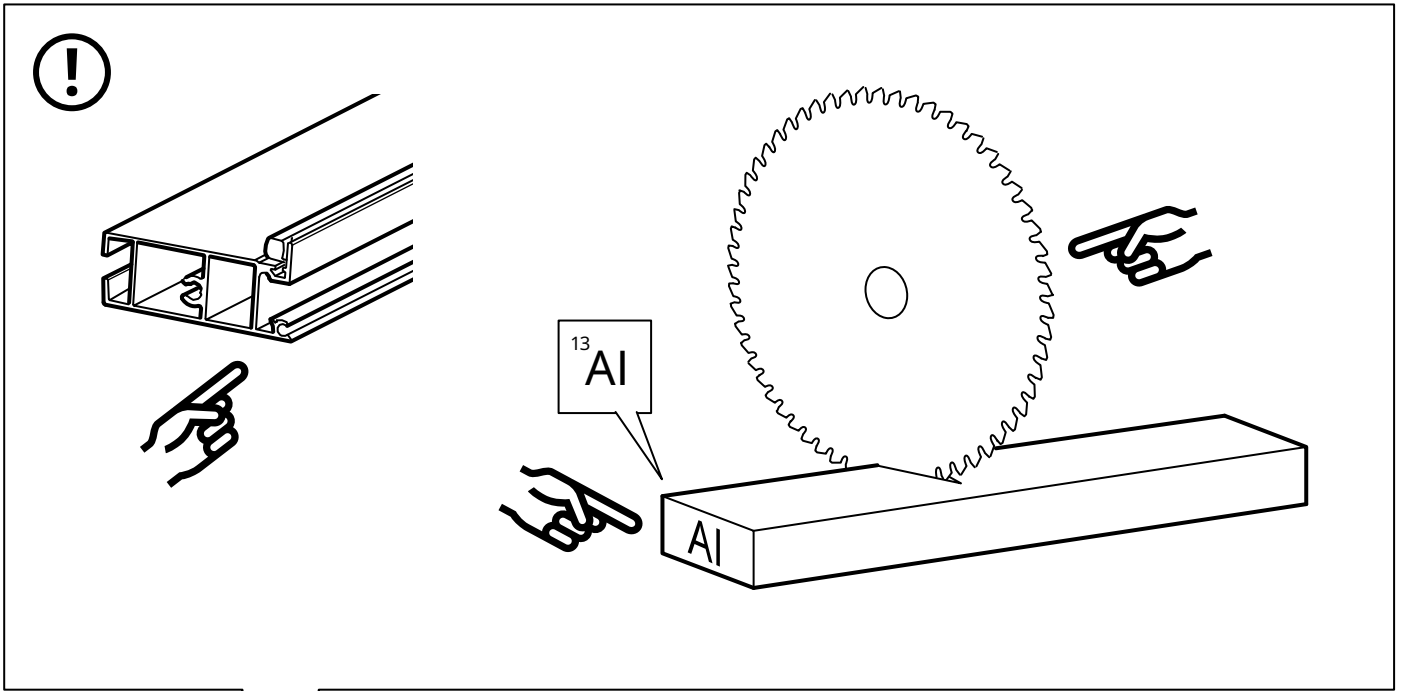


3

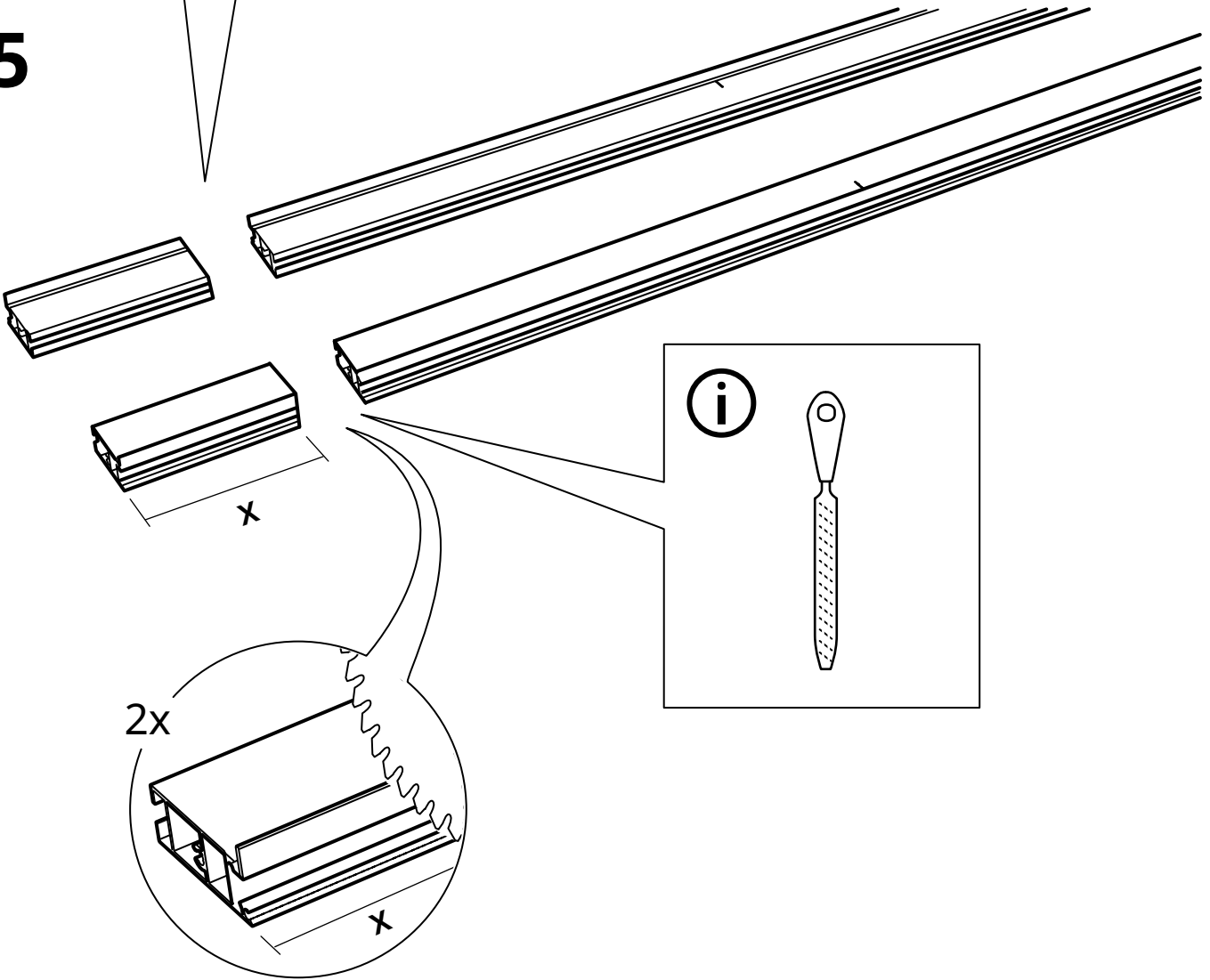


4

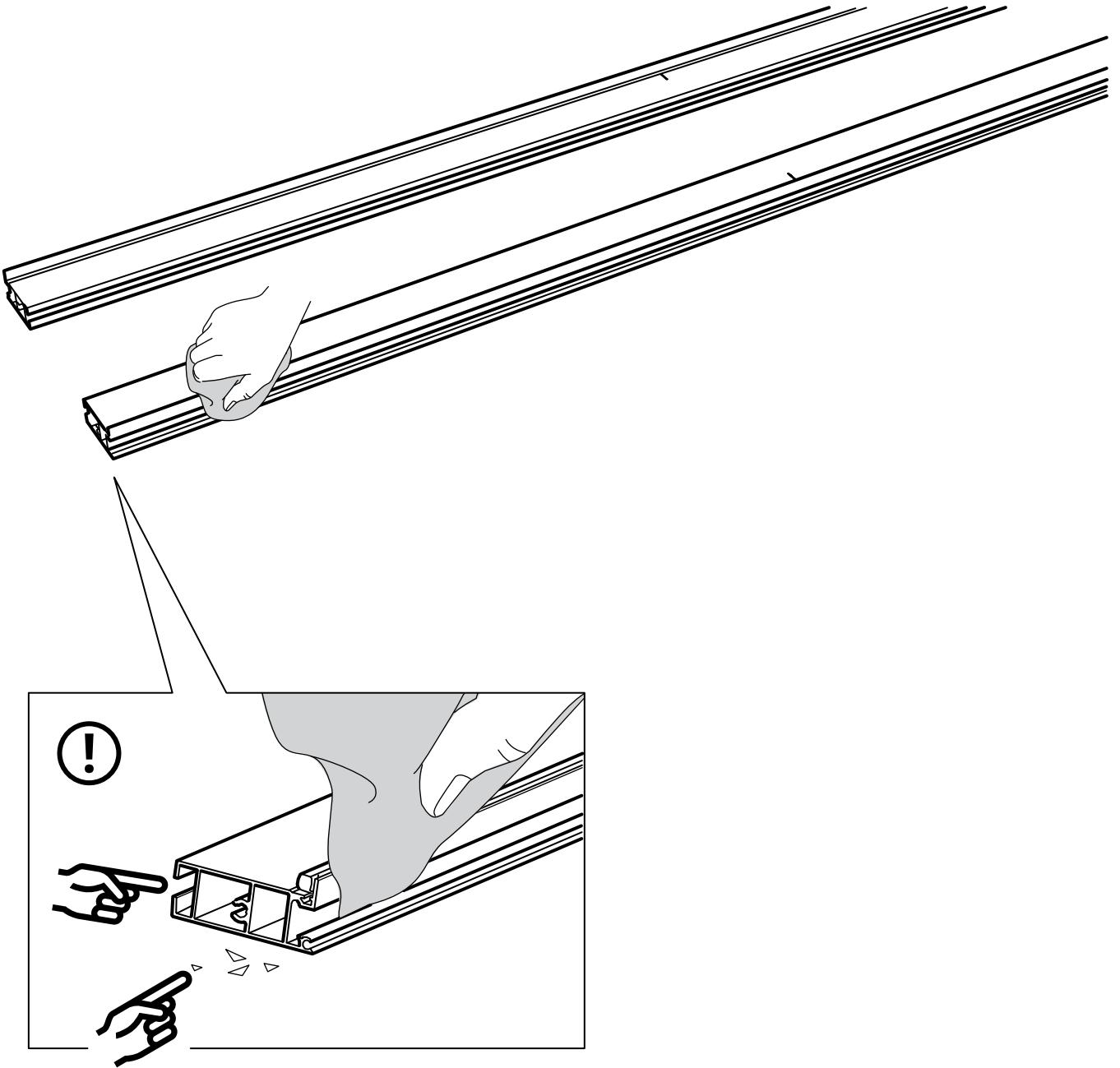




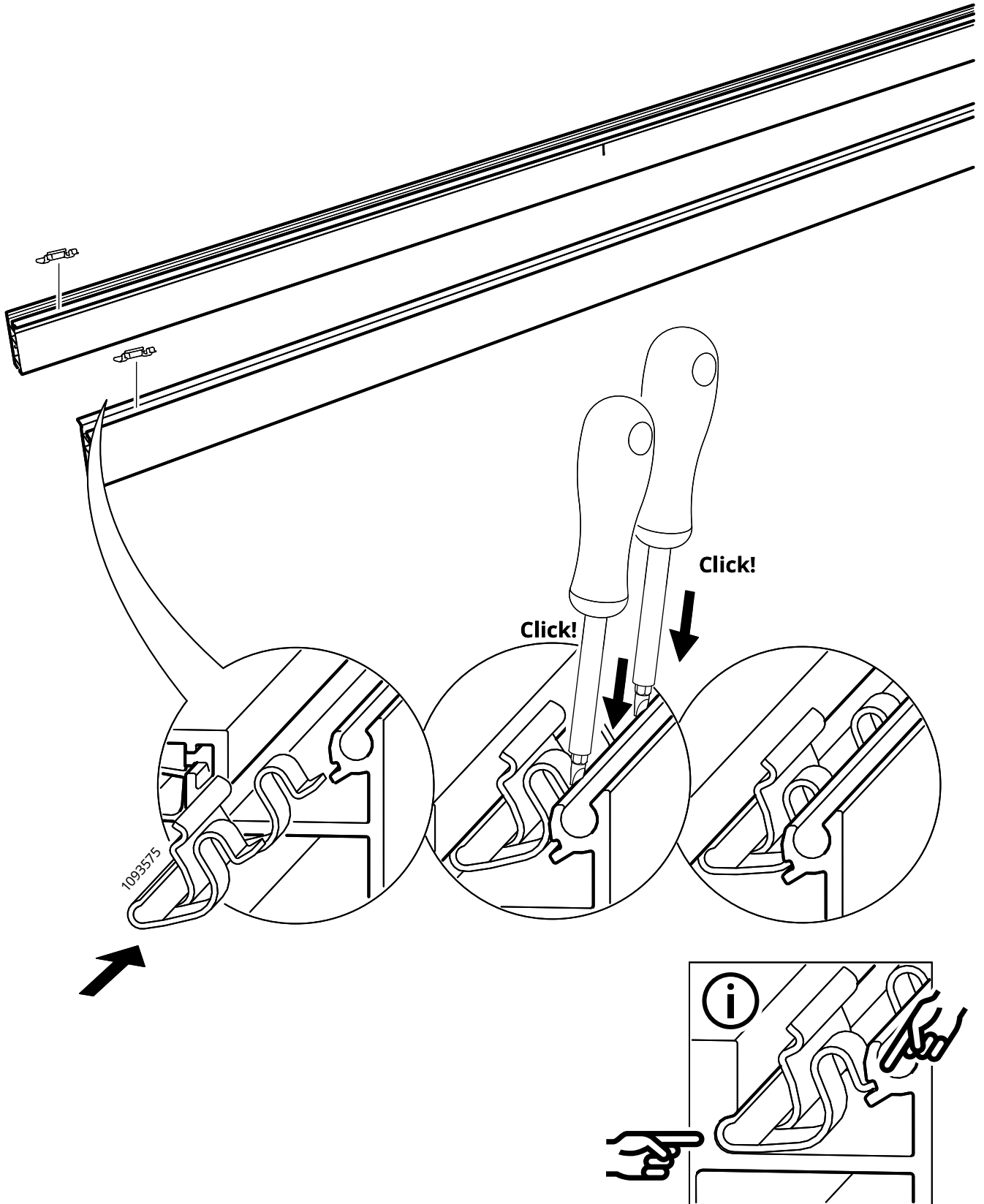
5

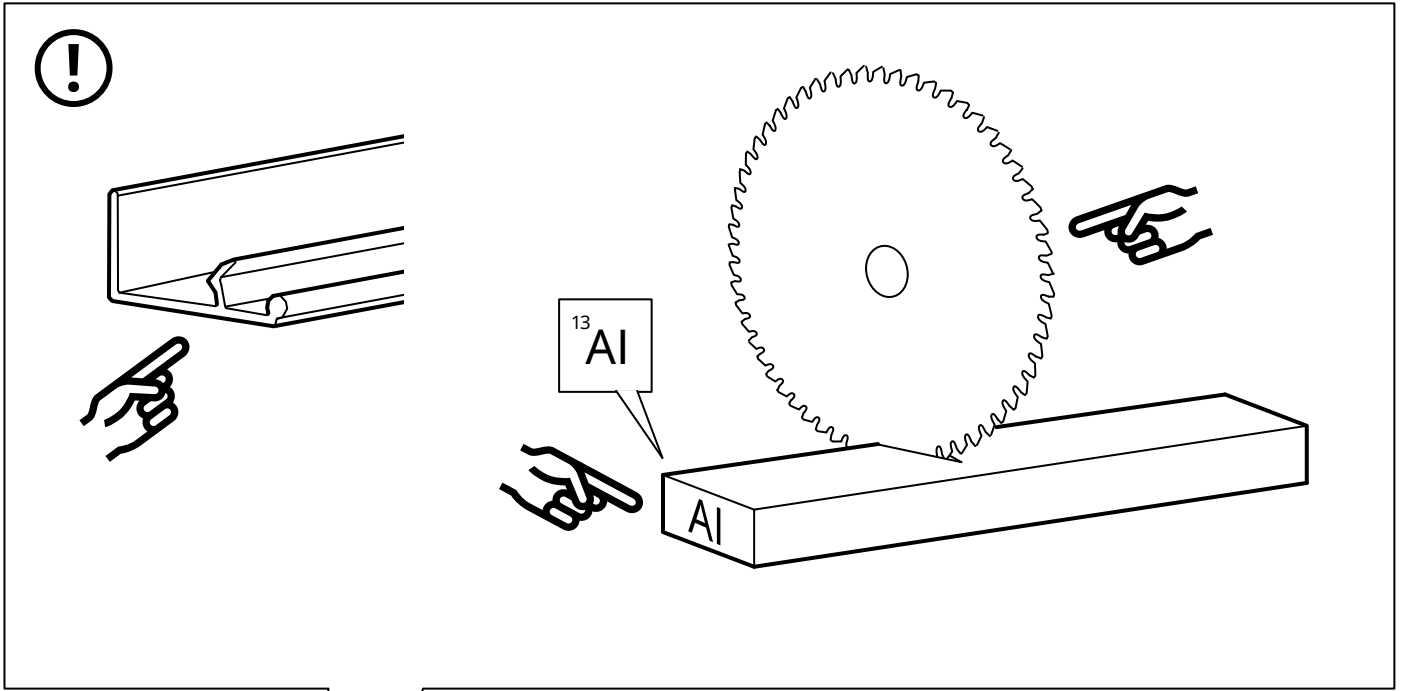


6

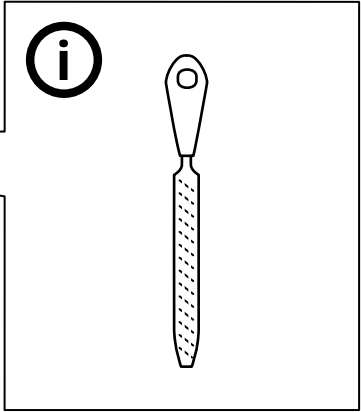
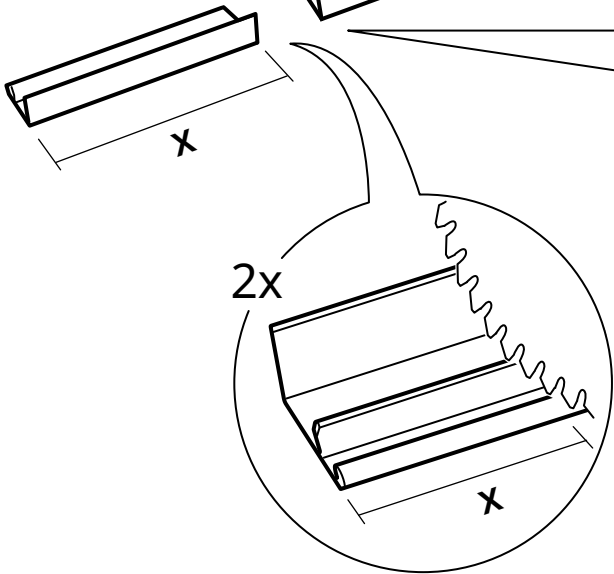
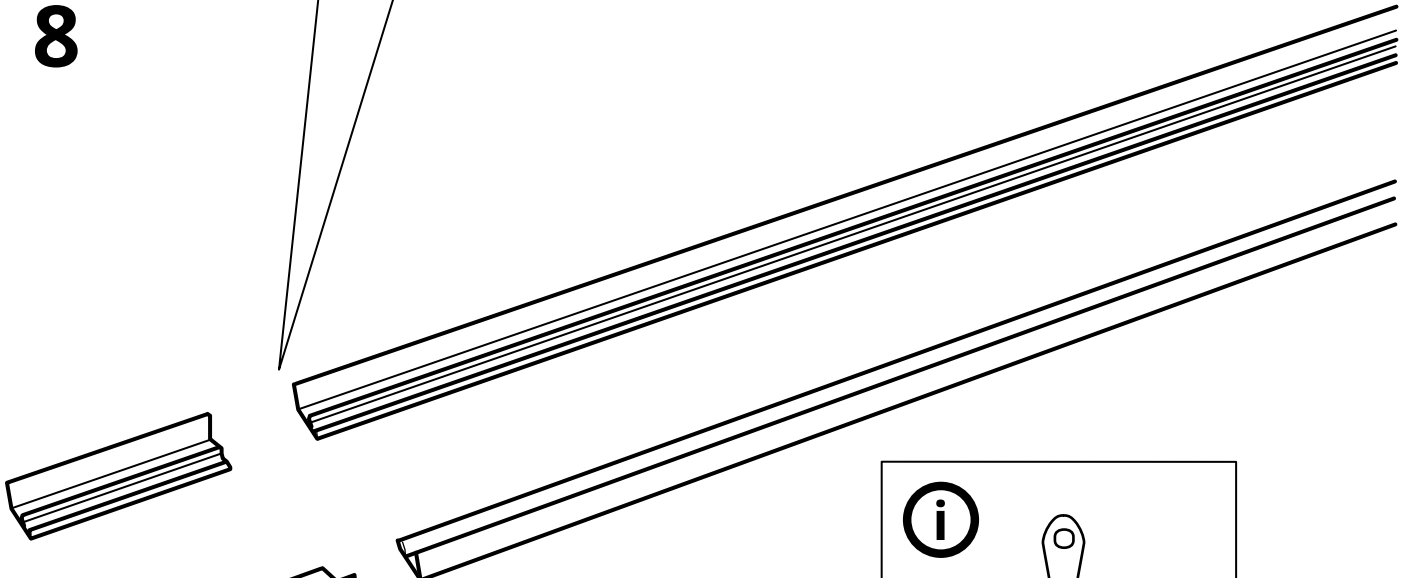


7

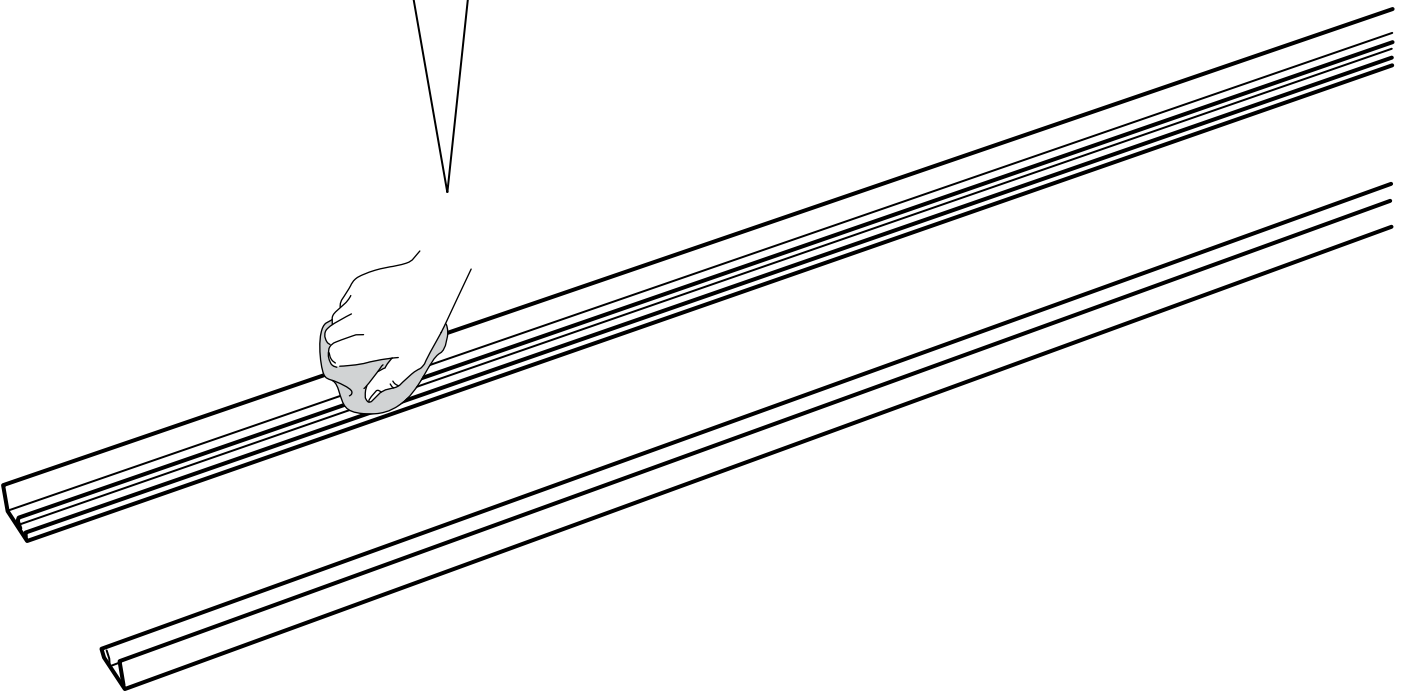
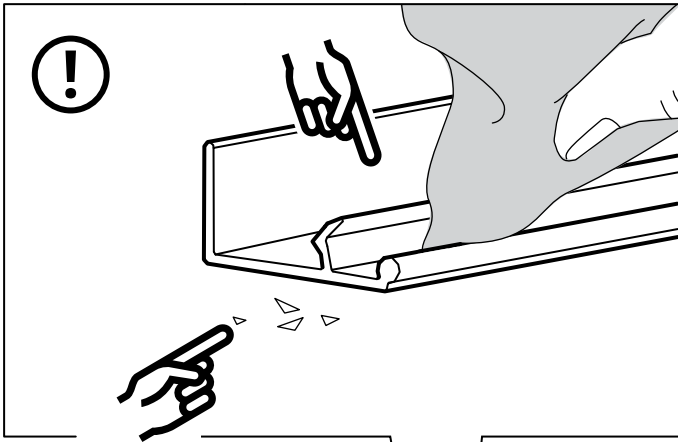




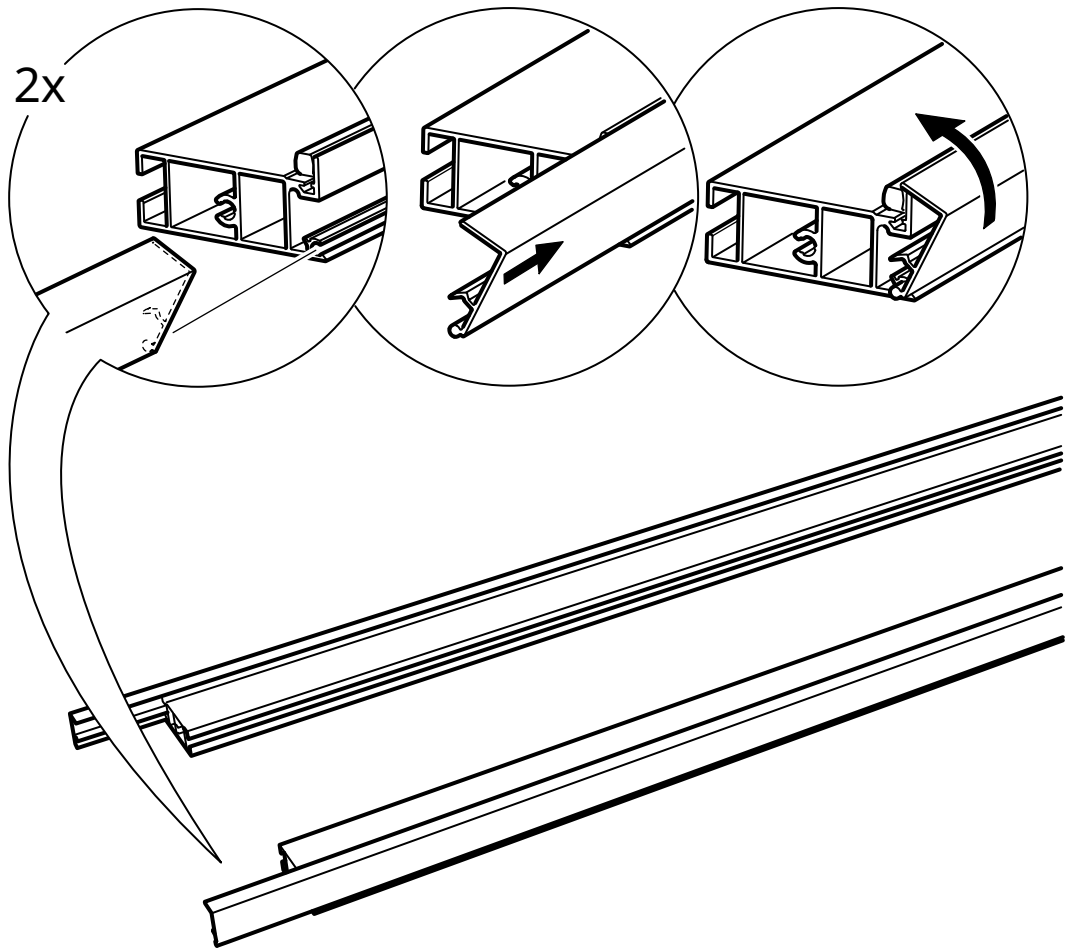
8



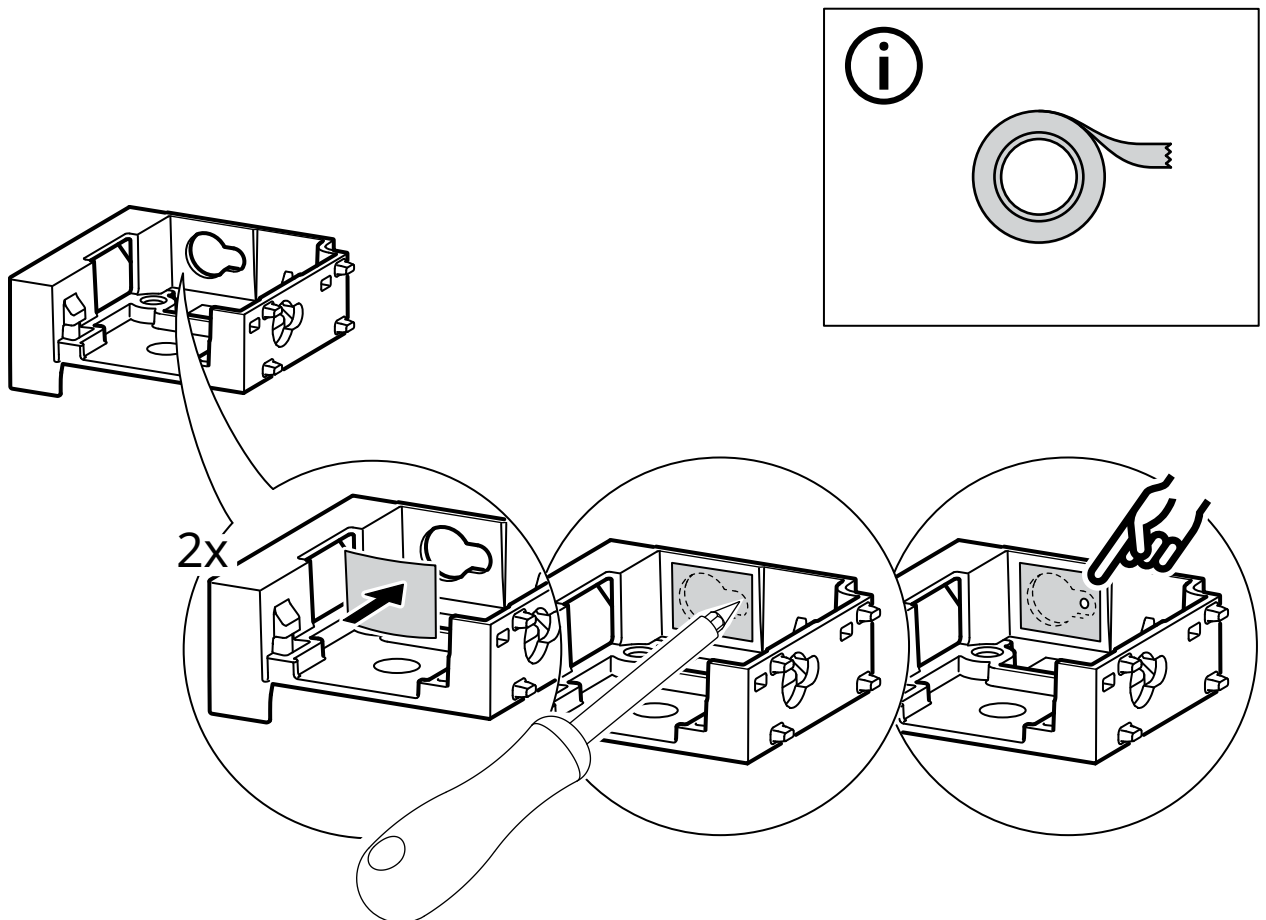
9



10



11



12

