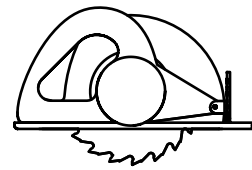
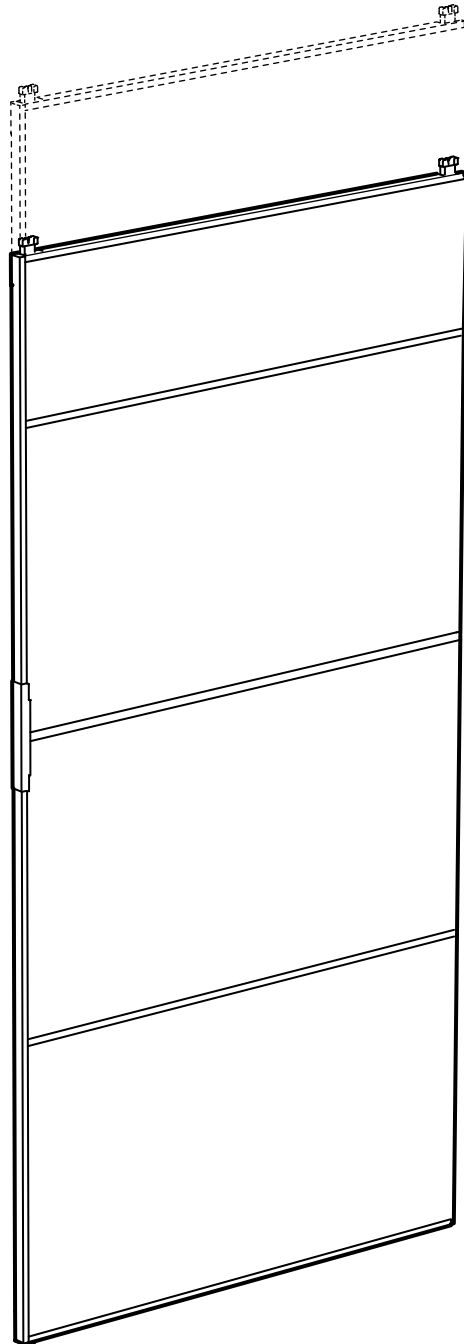
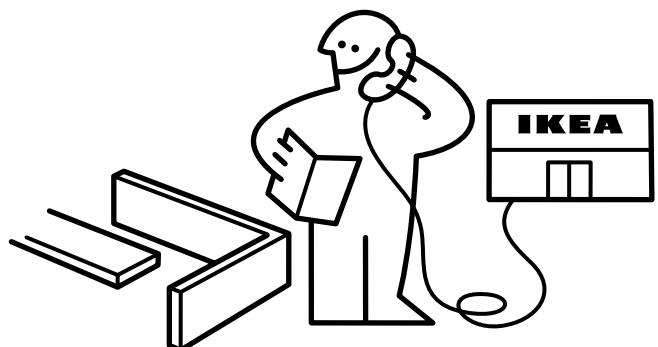
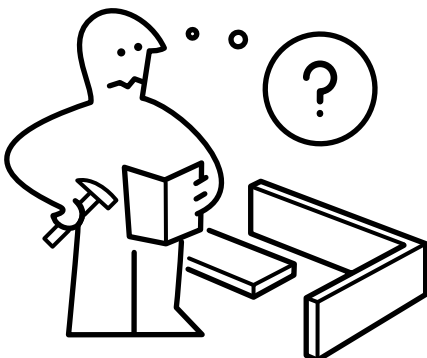
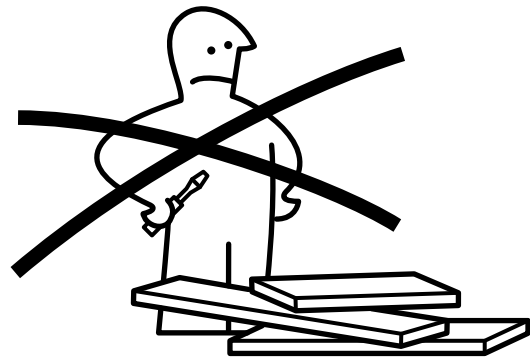
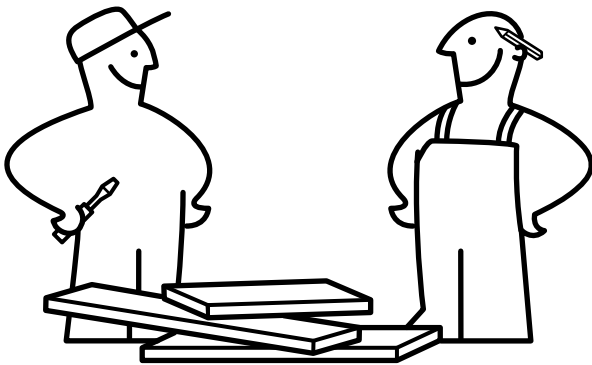
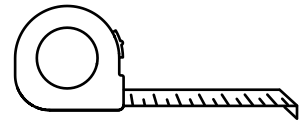
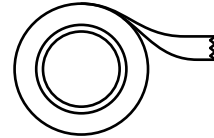
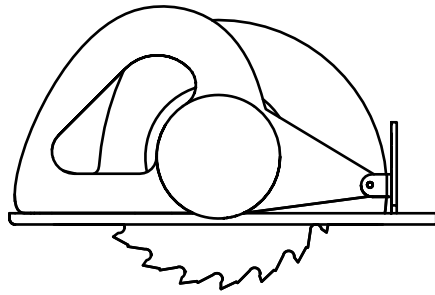
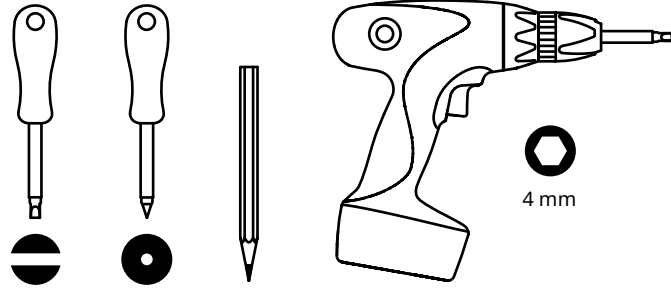
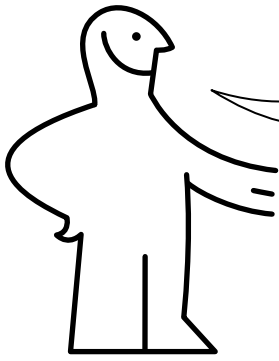


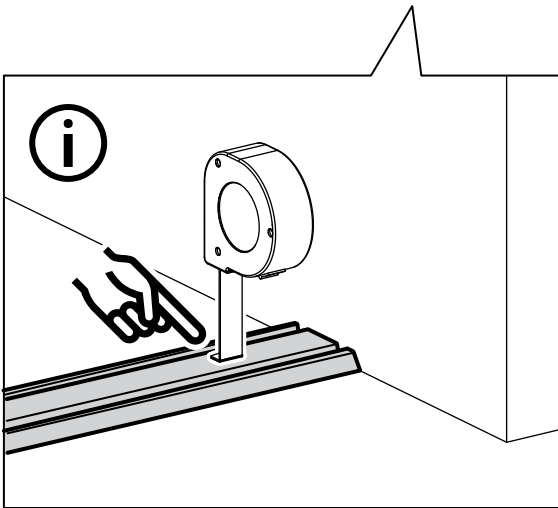
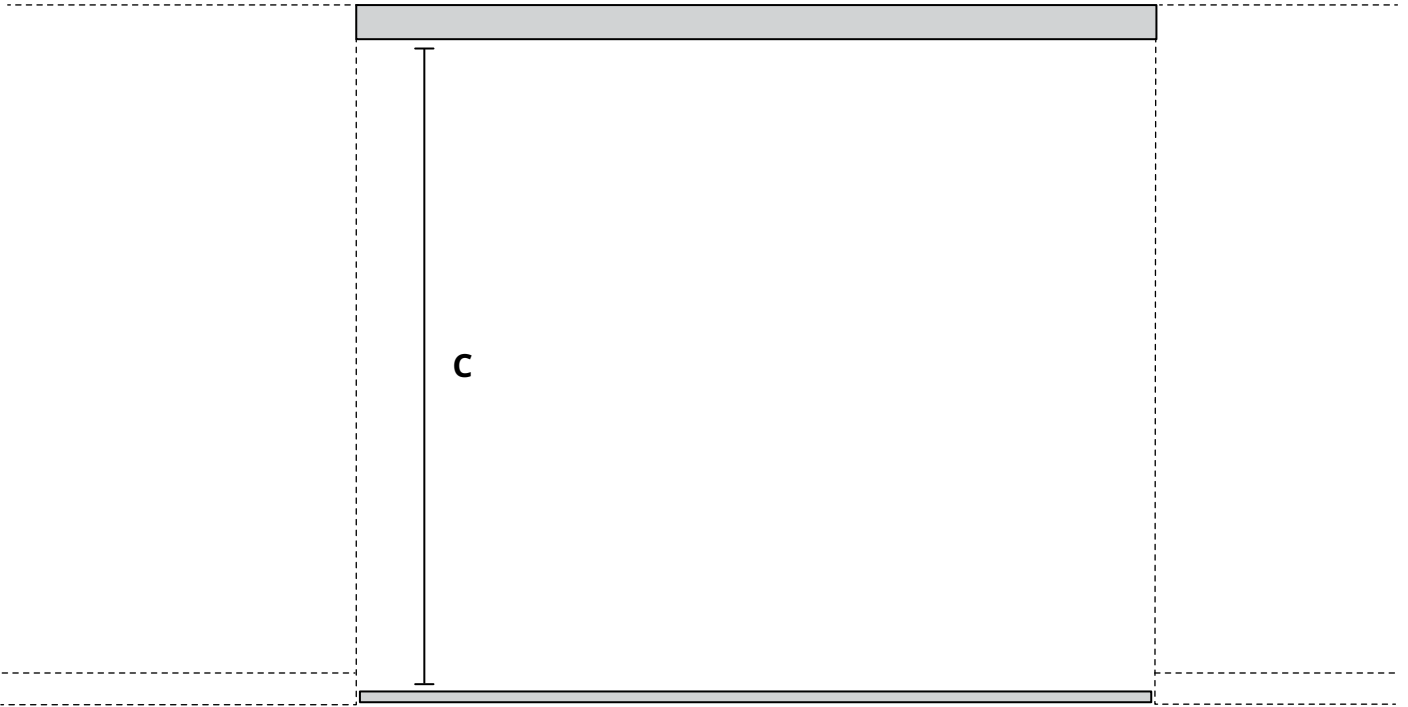
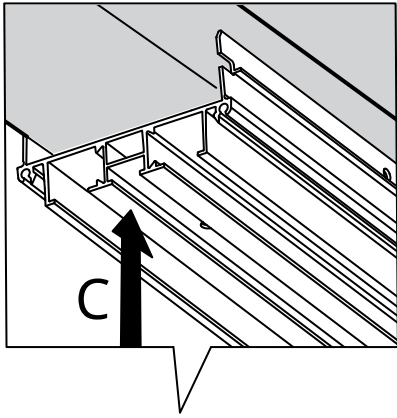
# SKYTTA



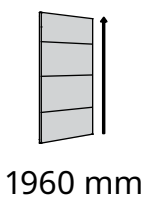
Design and Quality  
IKEA of Sweden

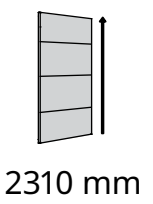


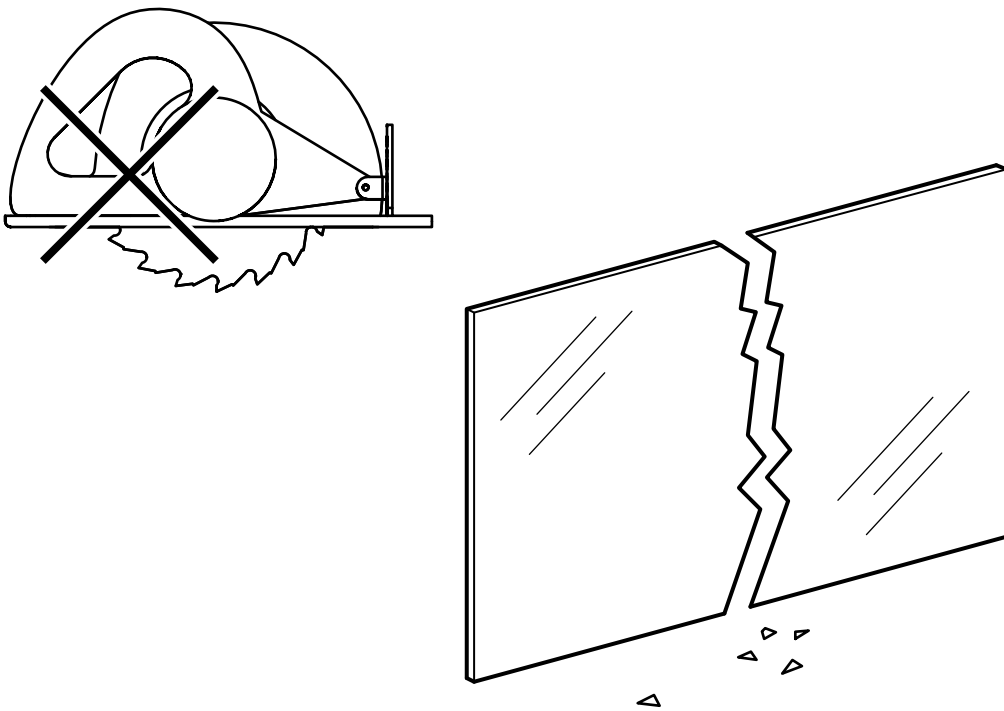
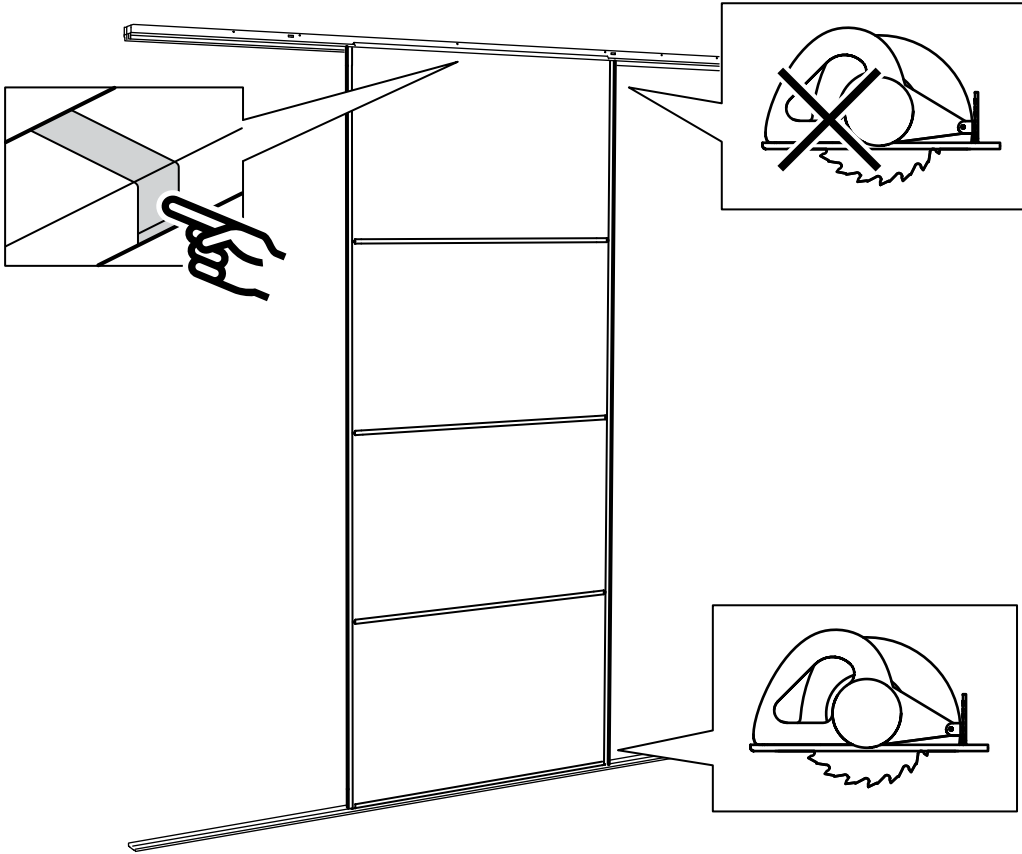
1



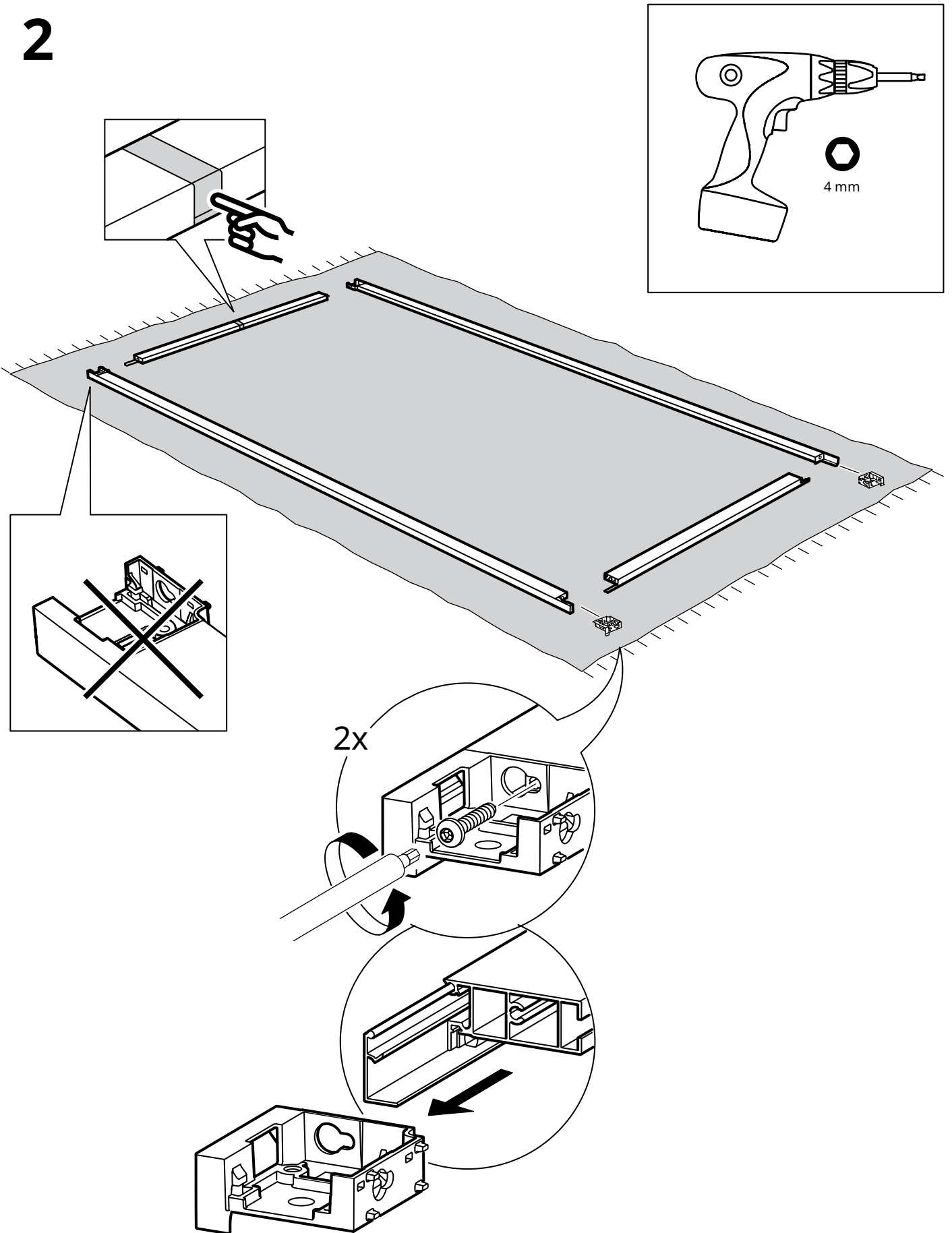
X = \_\_\_\_\_ mm

	1987 mm - C = X
---	-----------------

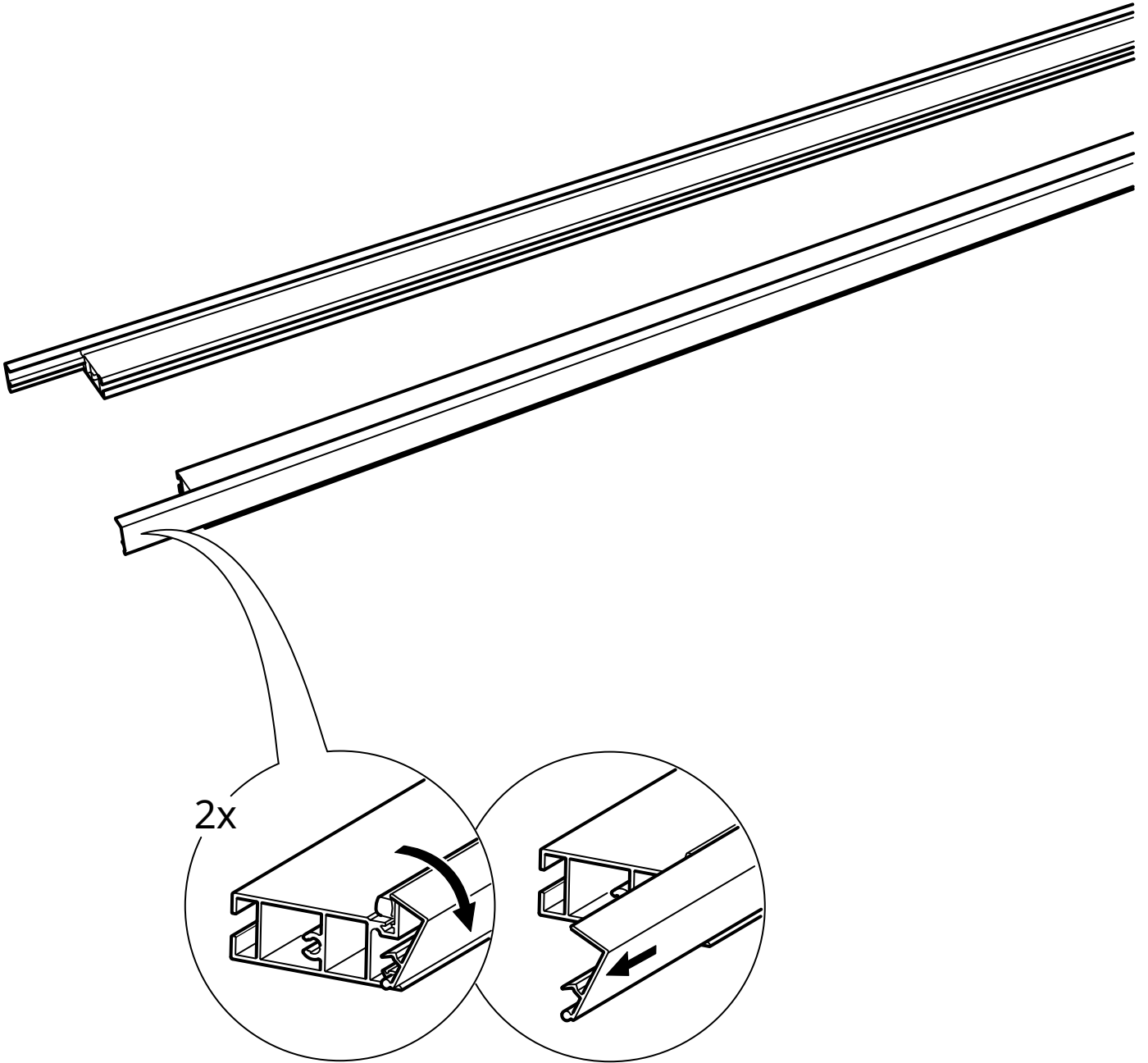
	2339 mm - C = X
---	-----------------



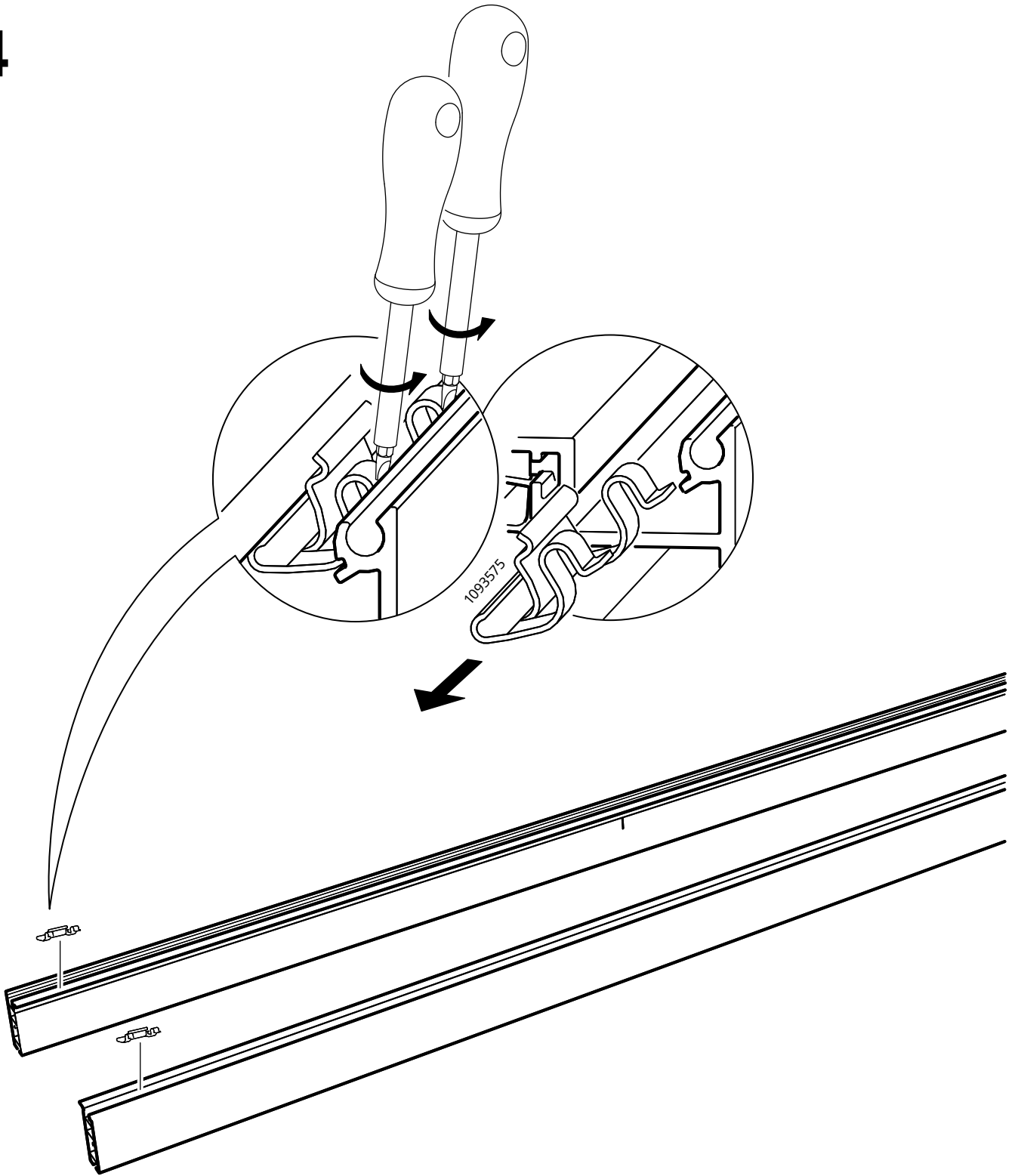
2

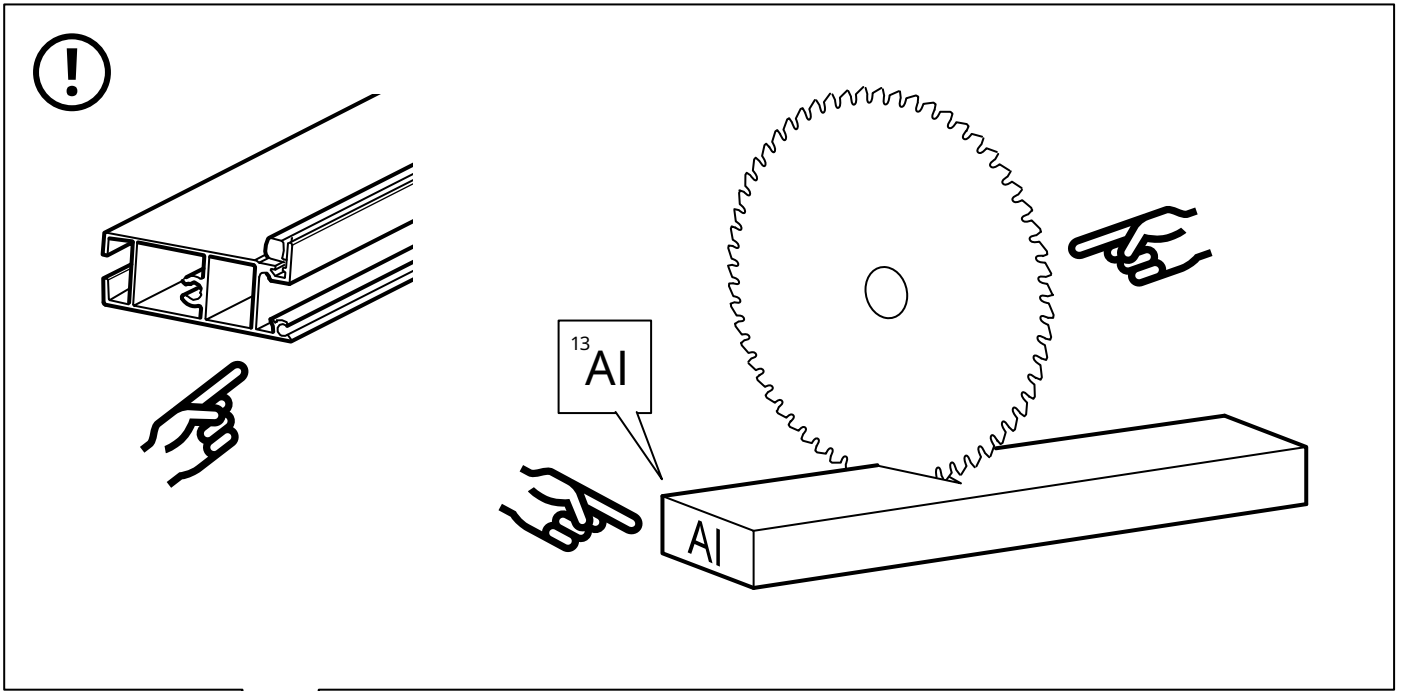


3

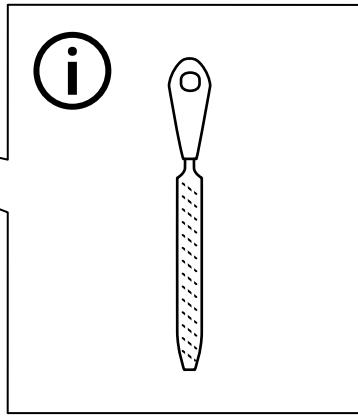
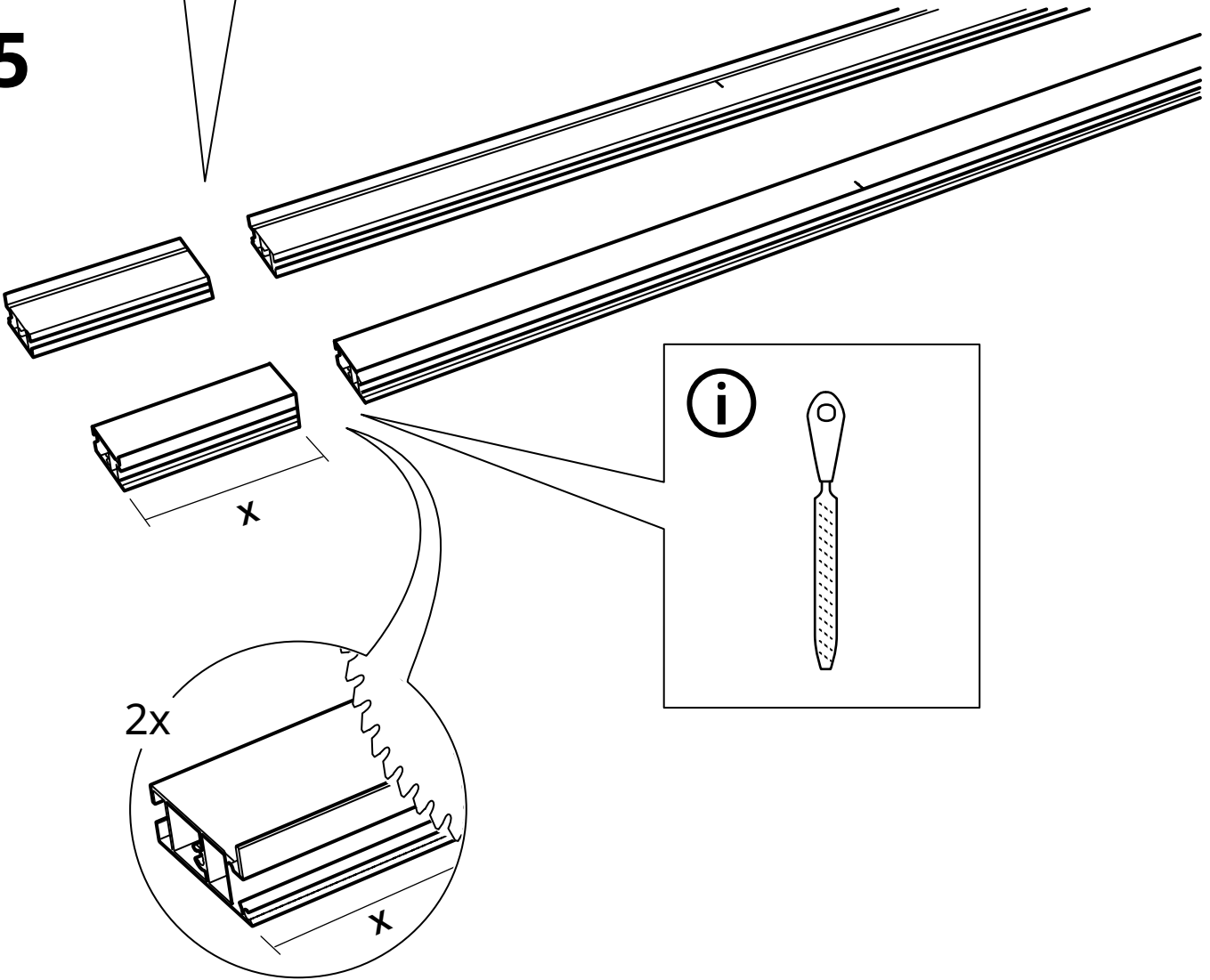


4



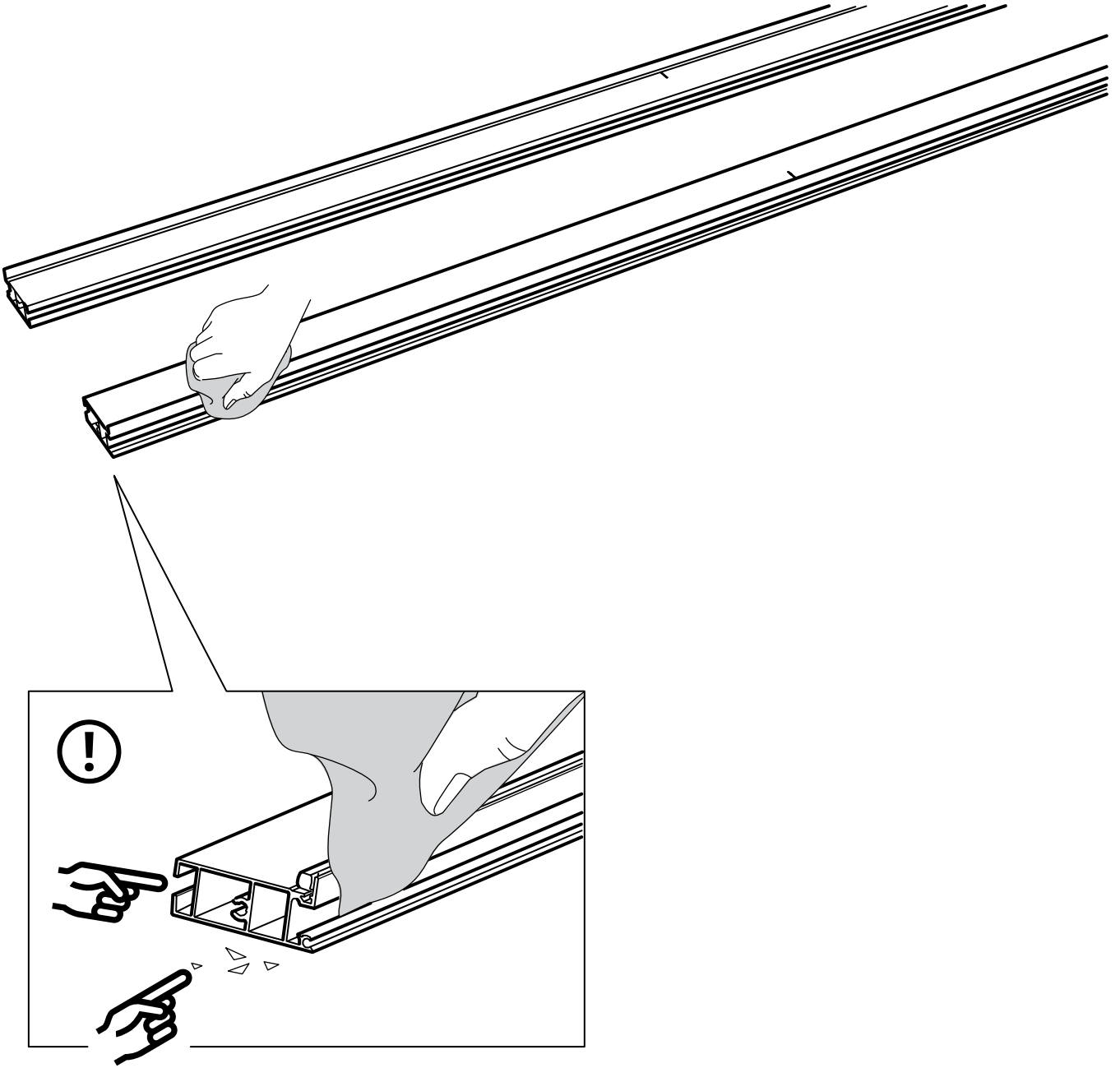


5

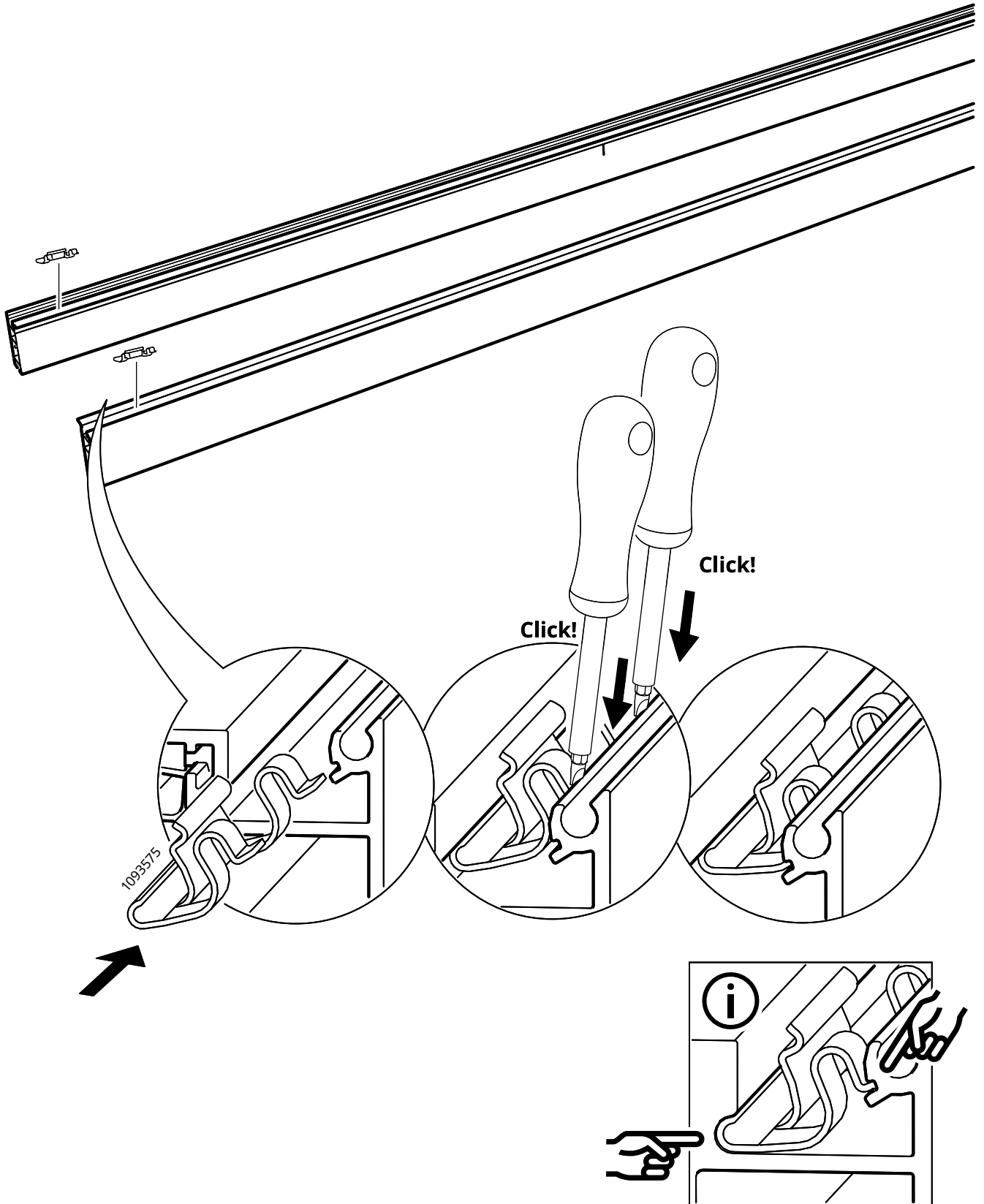


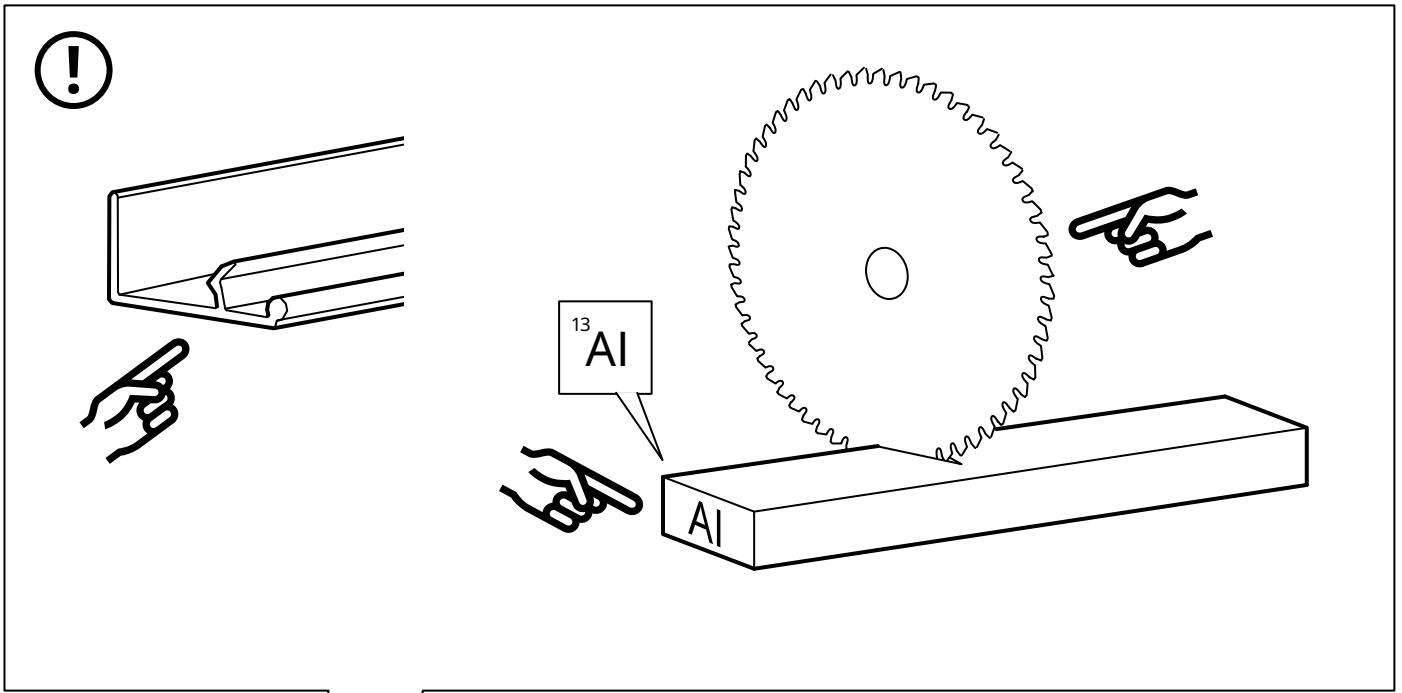


6

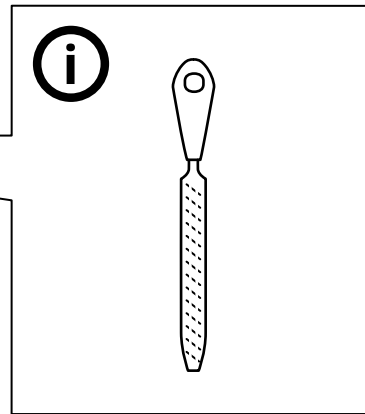
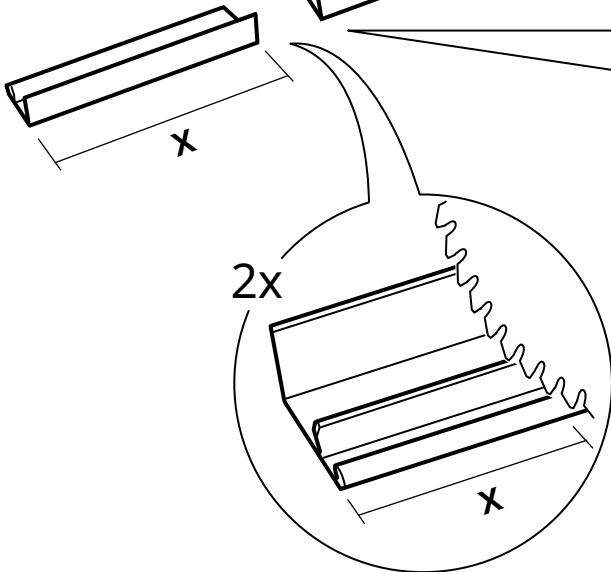
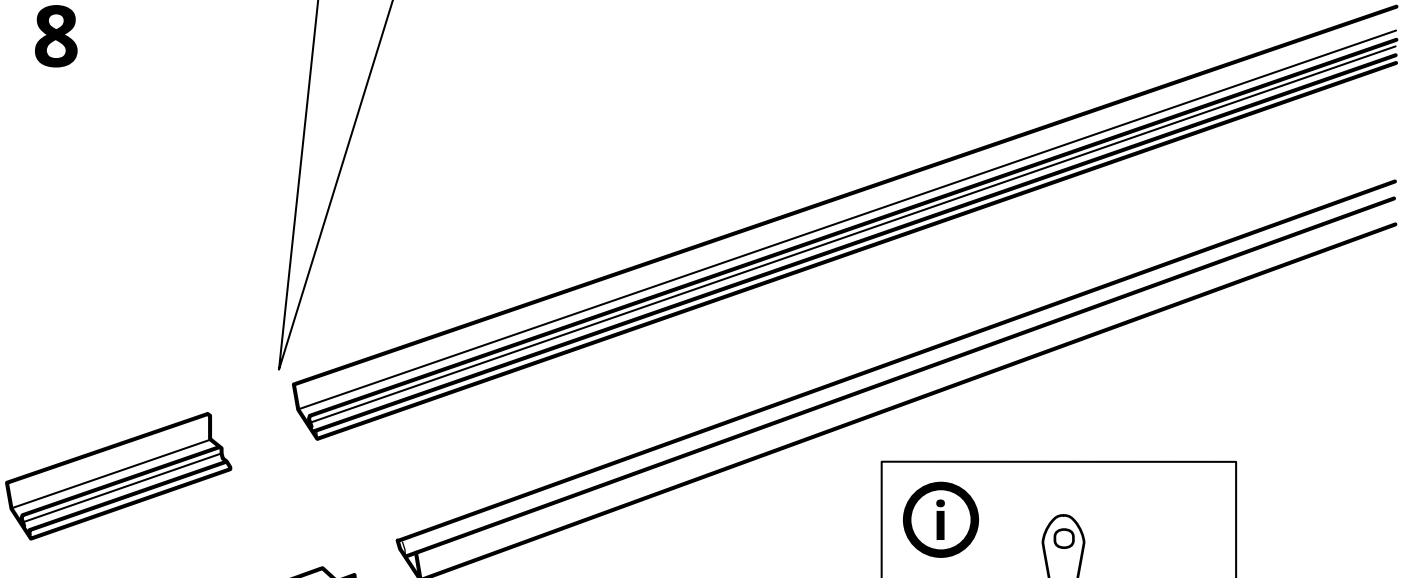


7

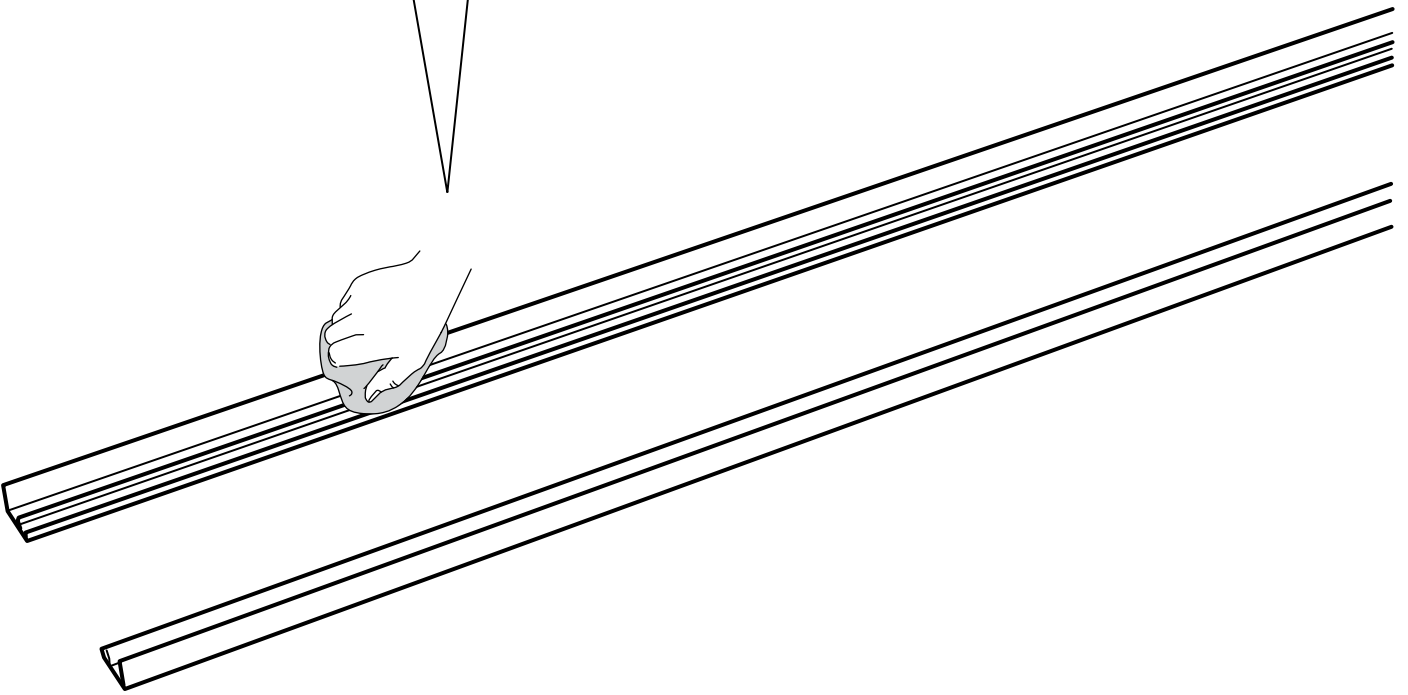
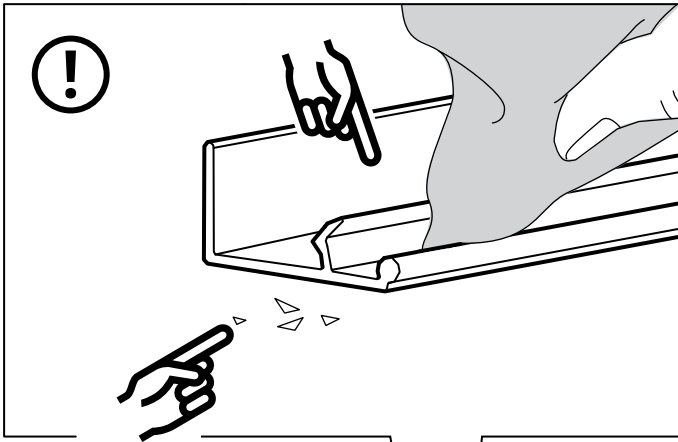




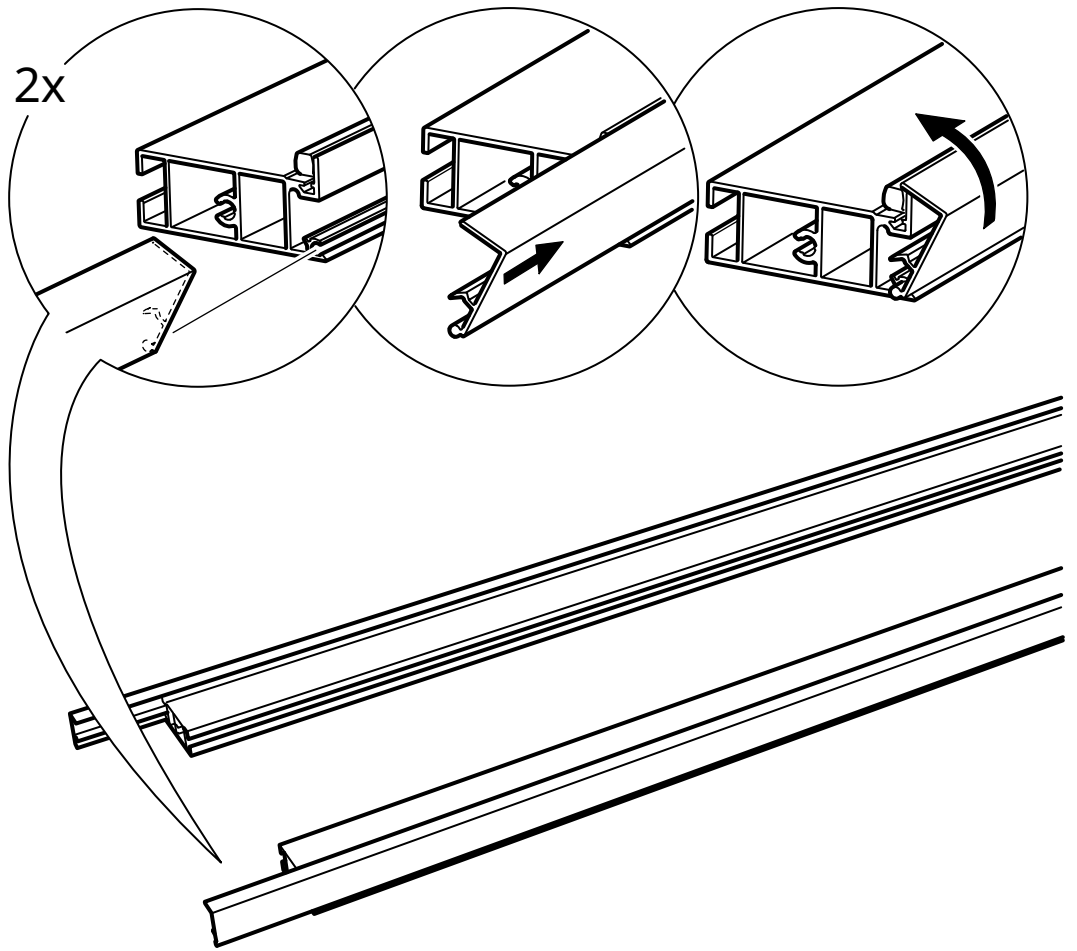
8



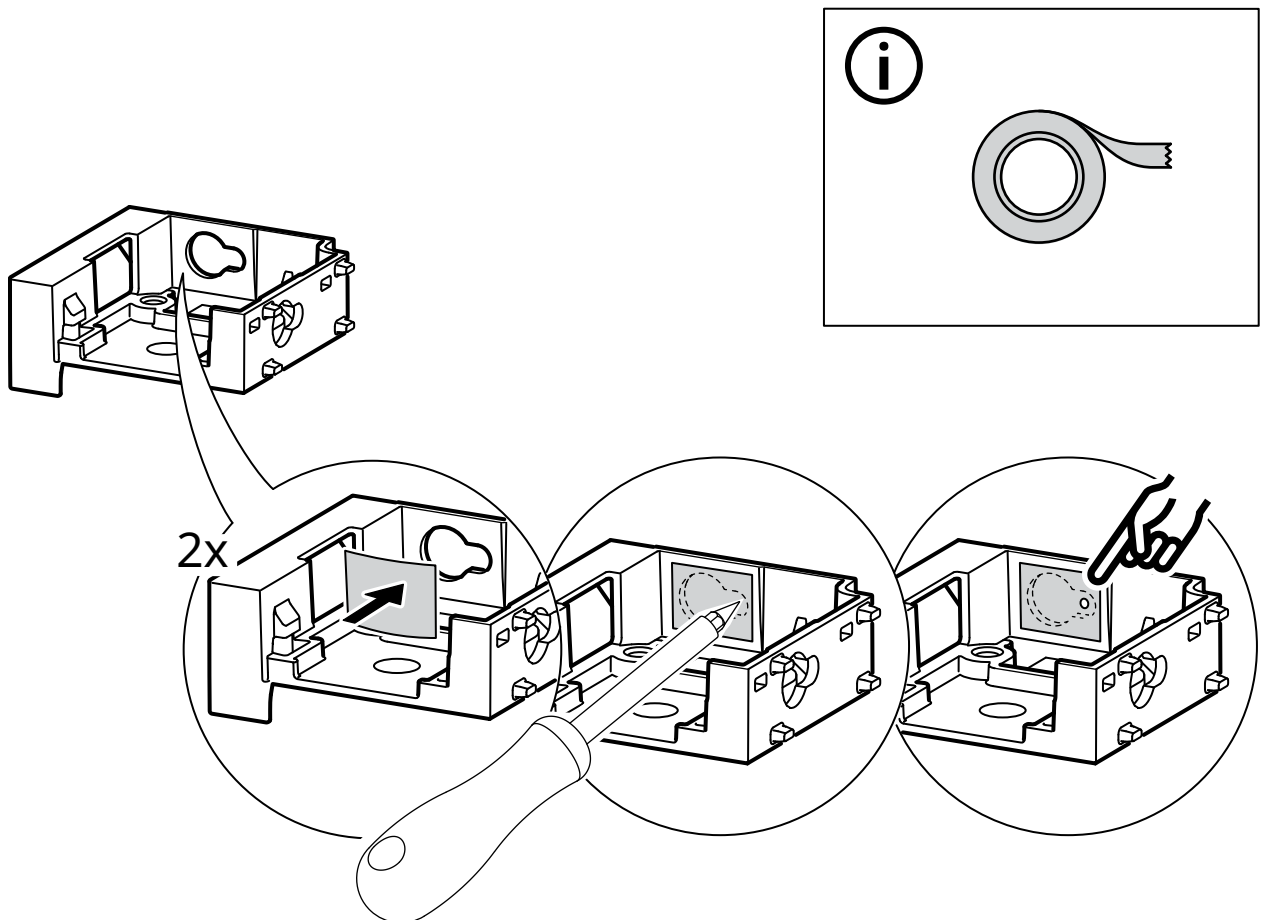
9



10



11



# 12

