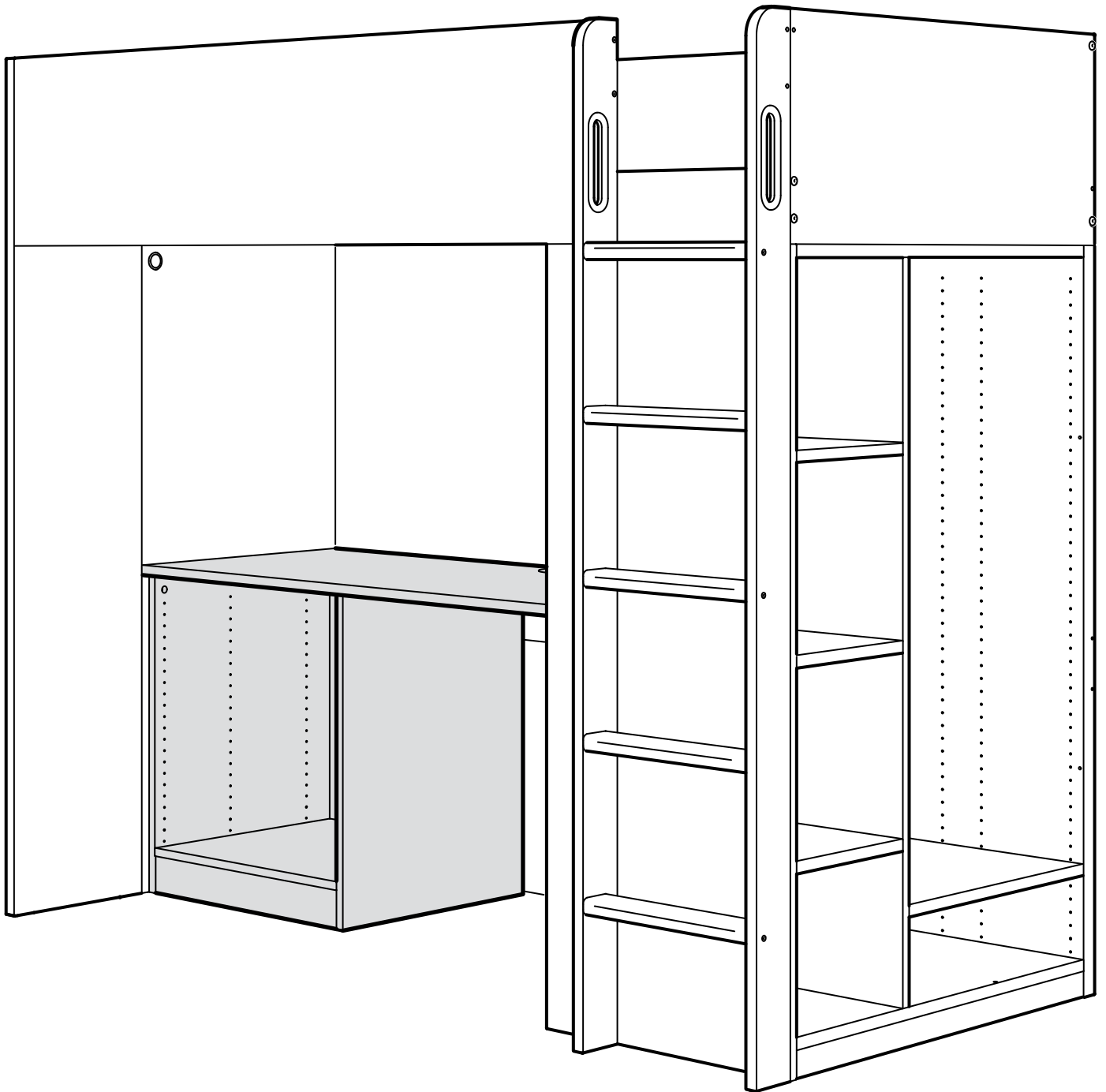
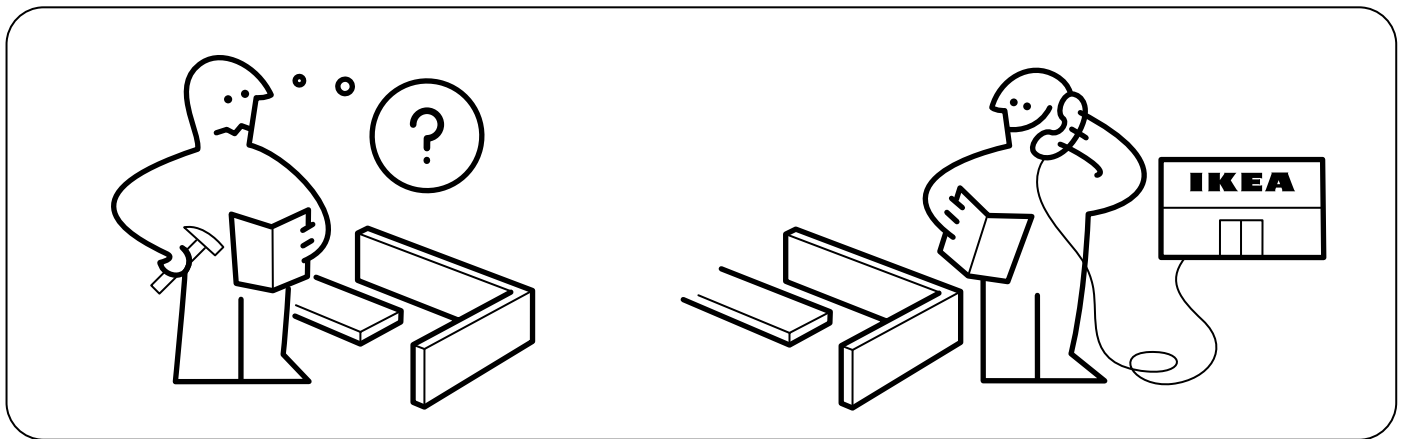
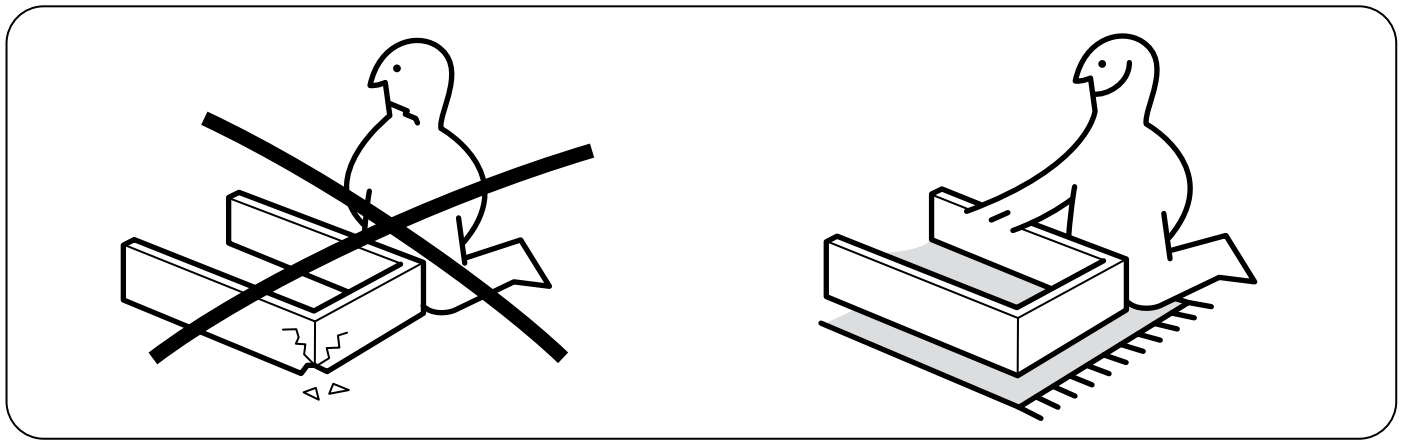
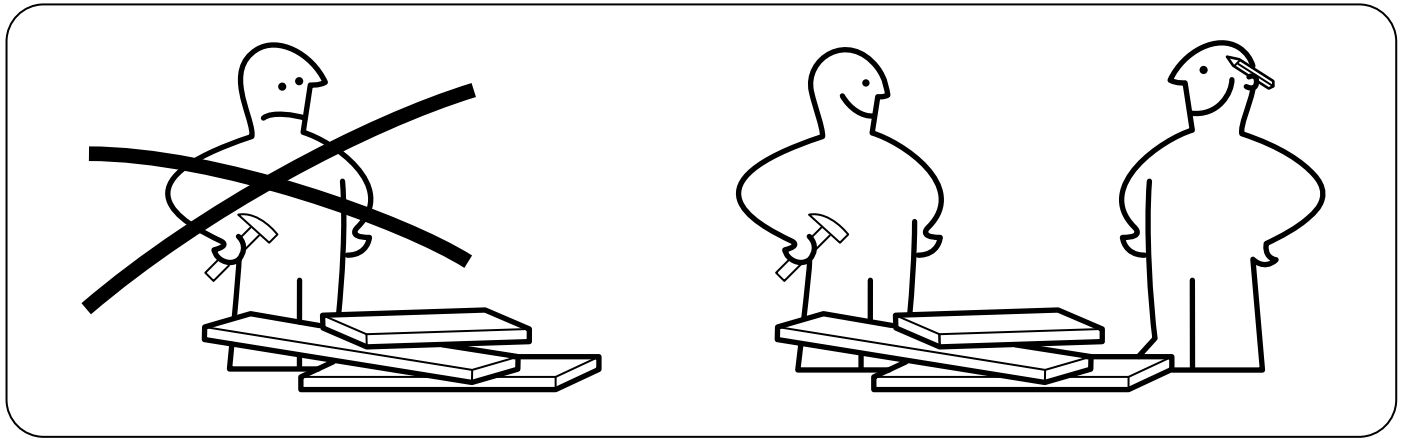
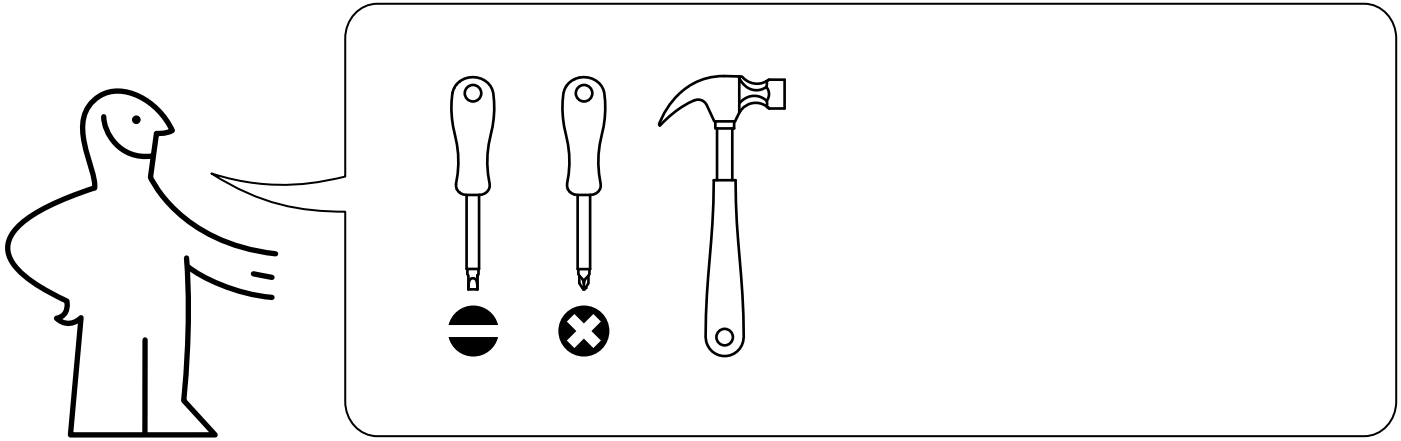


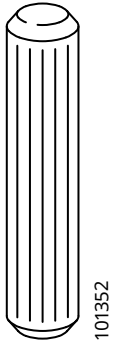
SMÅSTAD



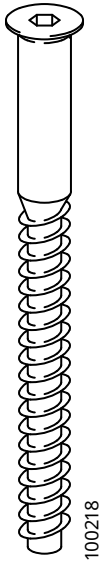
Design and Quality
IKEA of Sweden



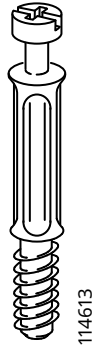
4



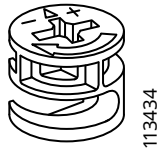
8x



2x



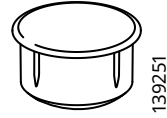
14x



14x



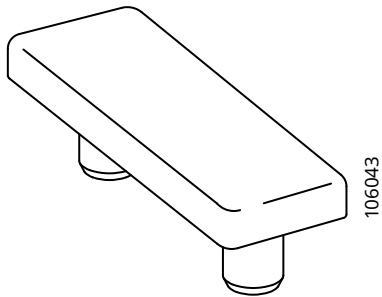
20x



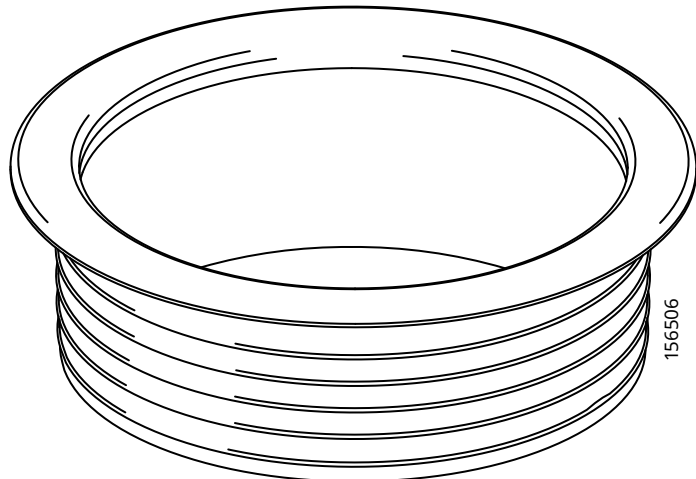
6x



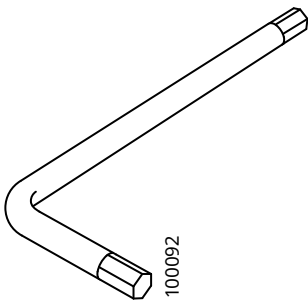
10x



4x

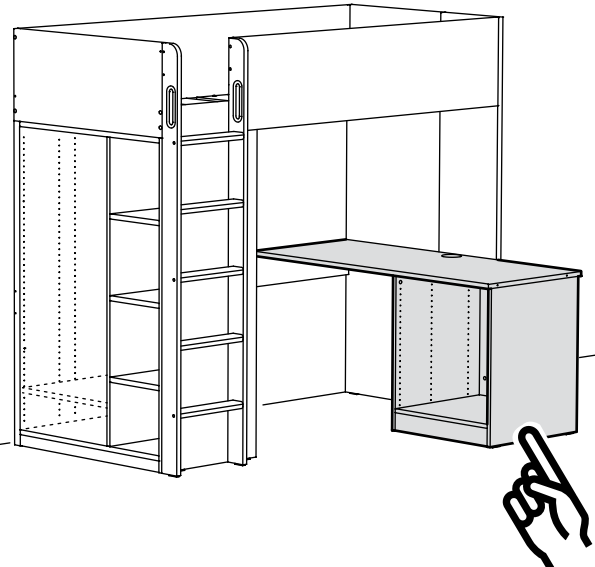
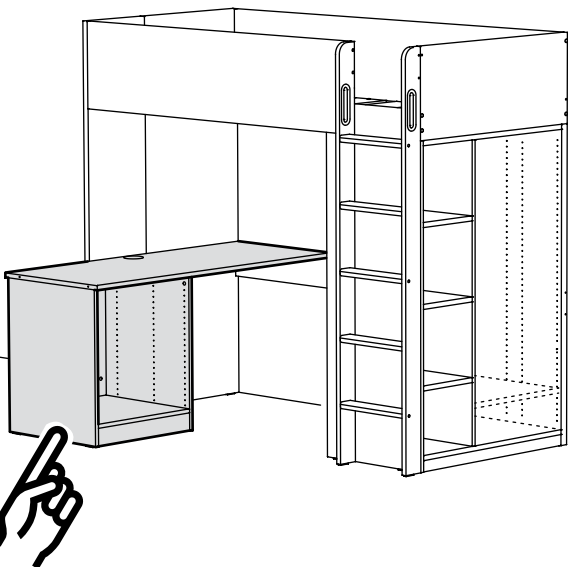
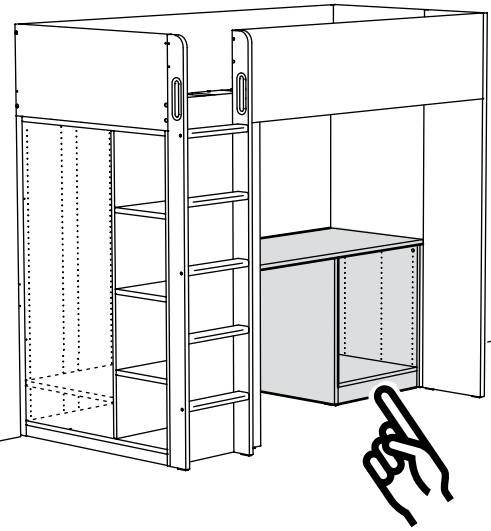
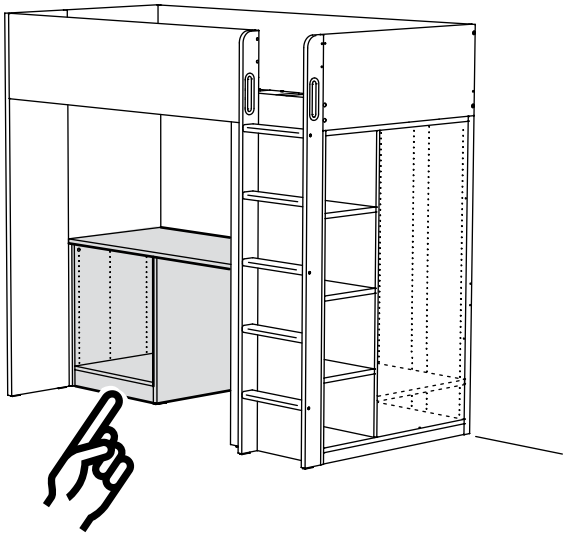


1x

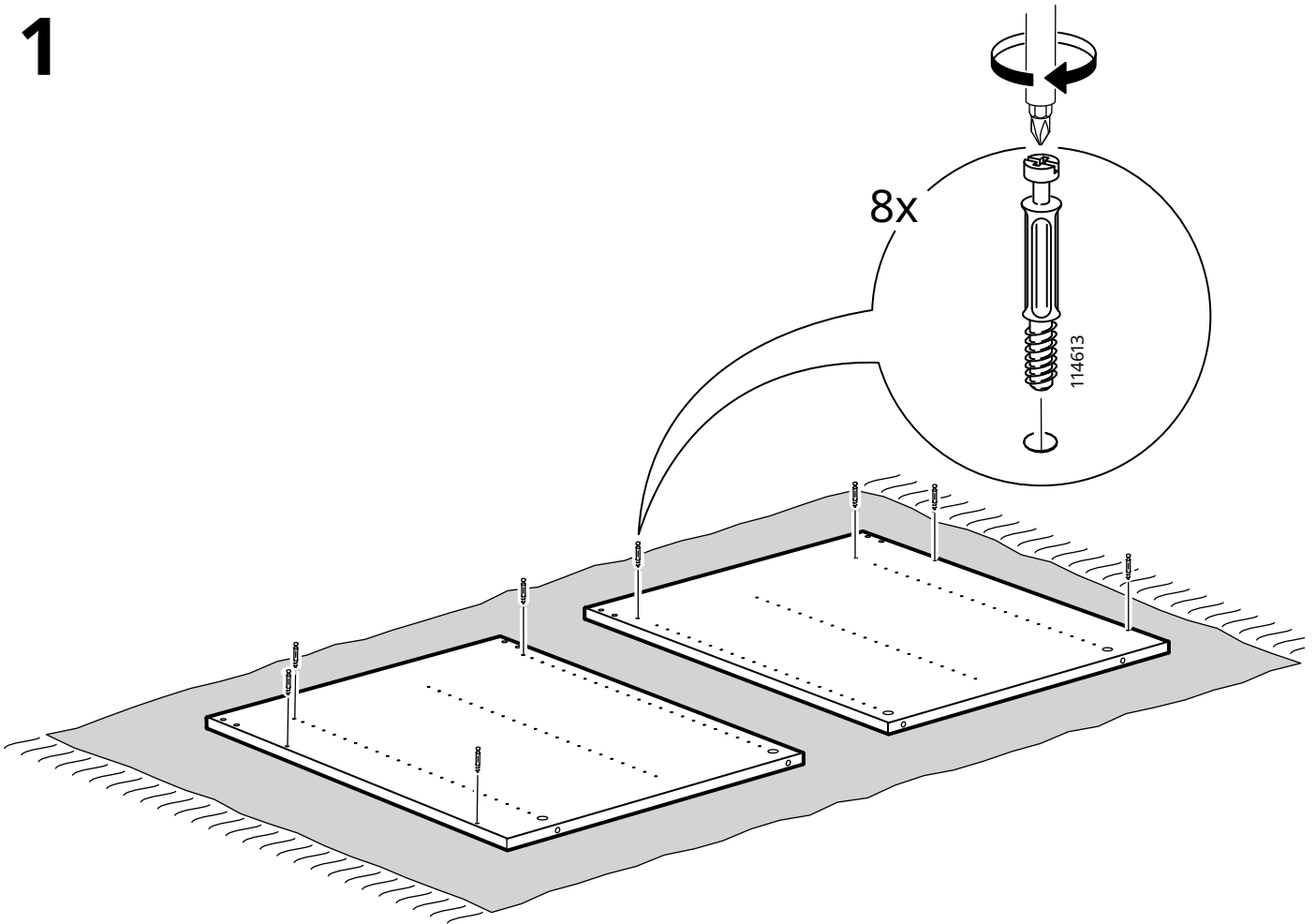


1x

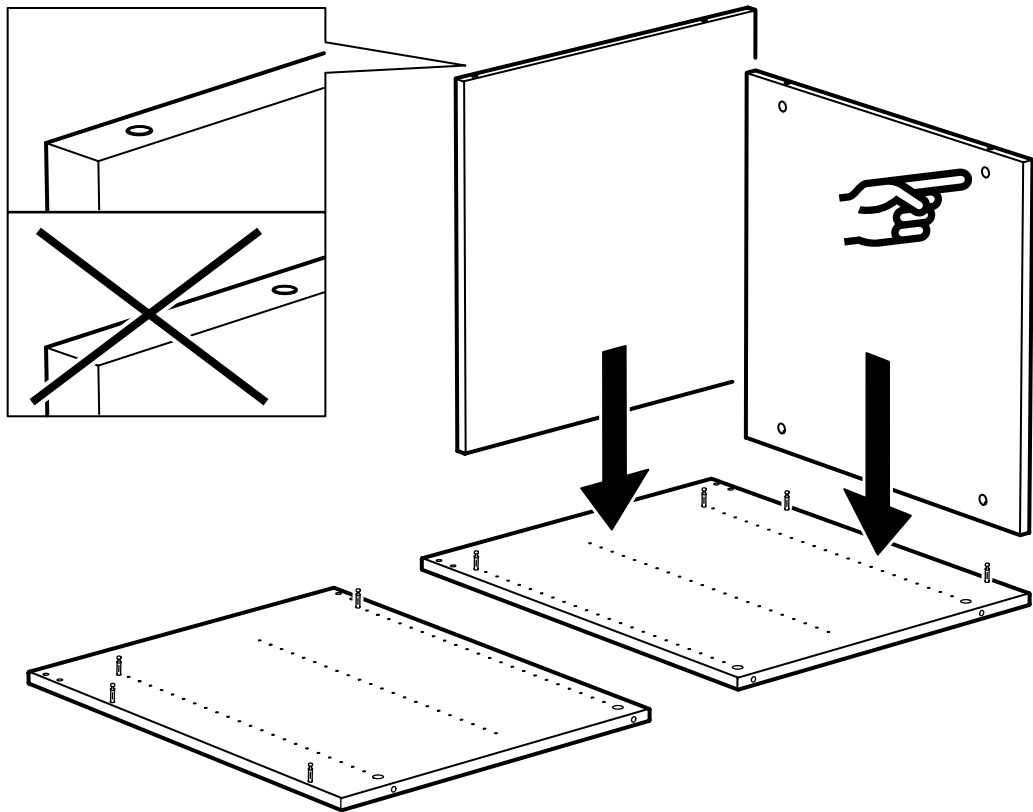
i



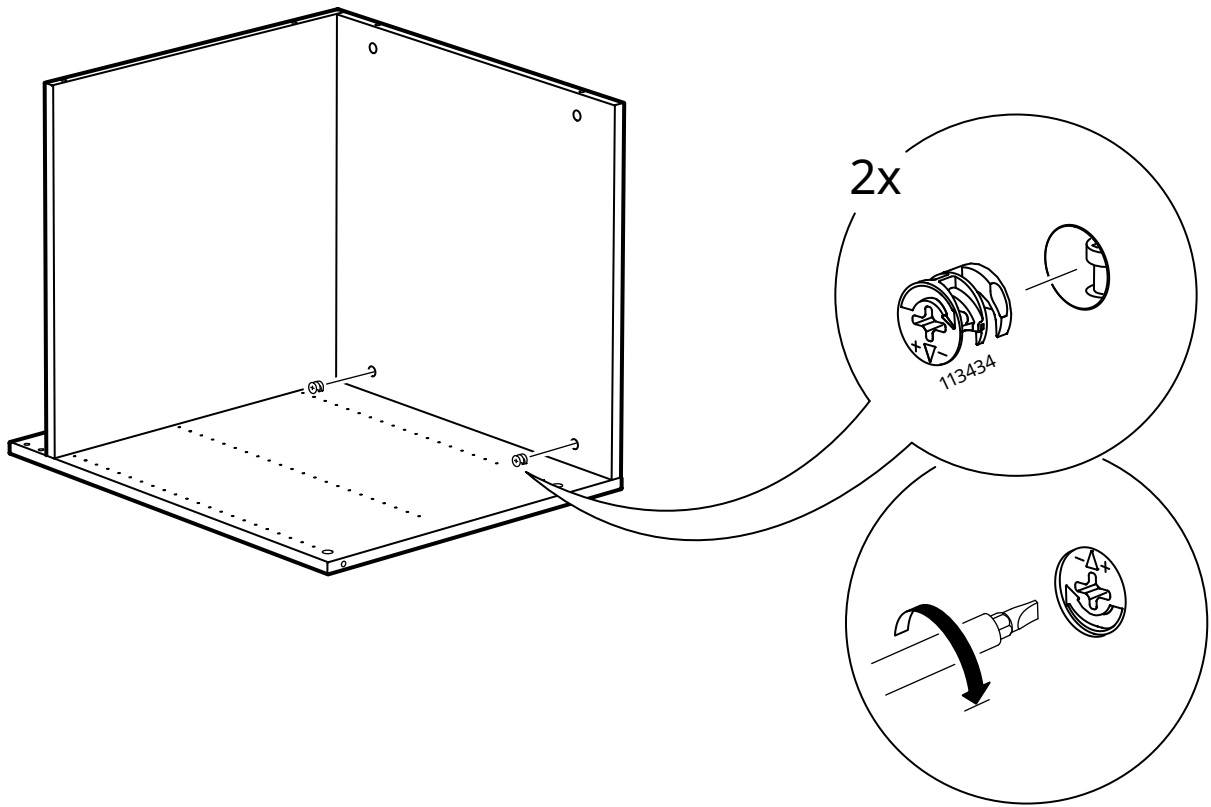
1



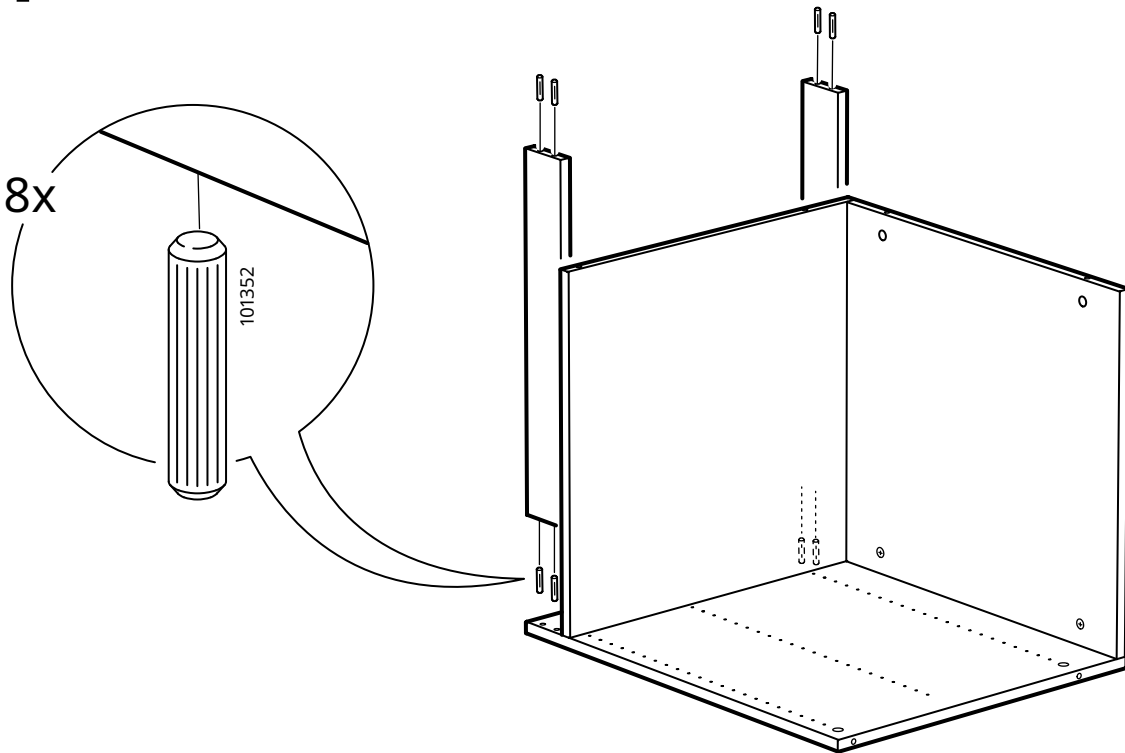
2



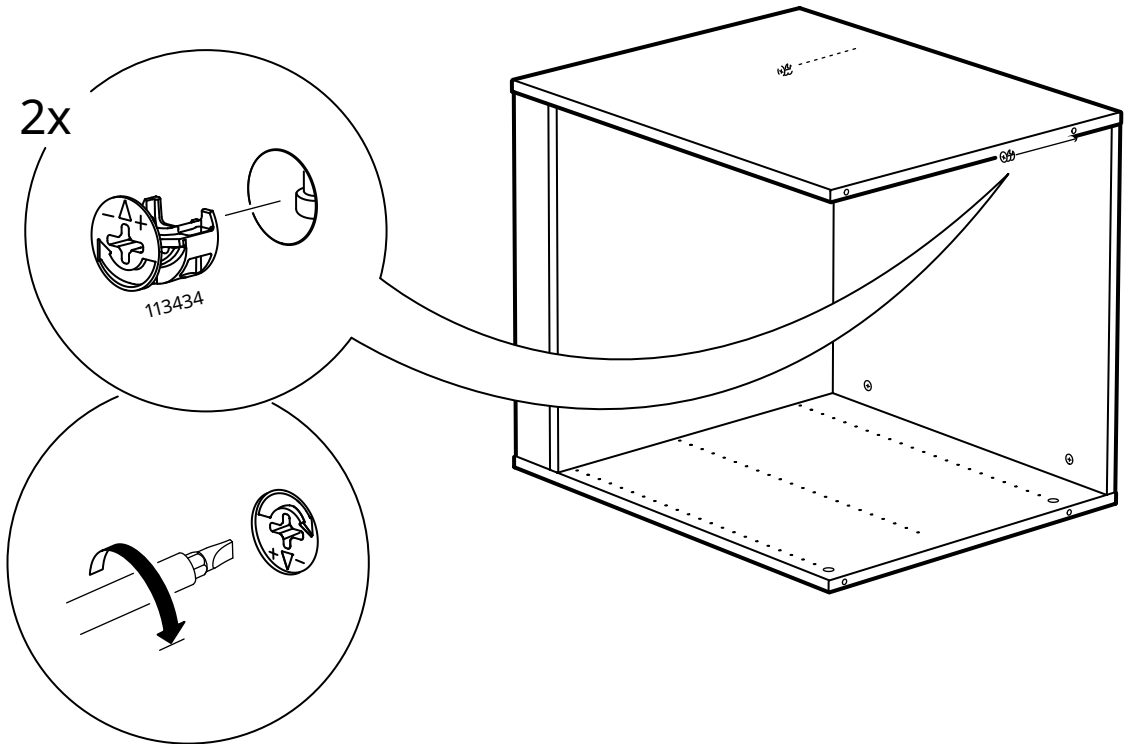
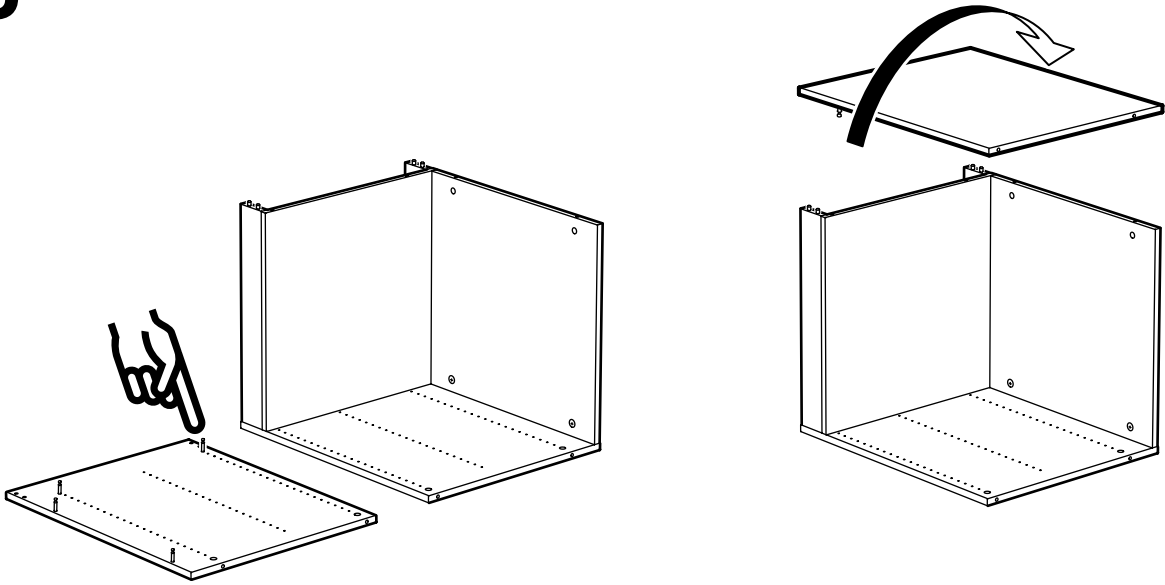
3



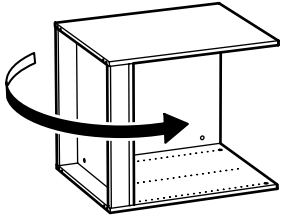
4



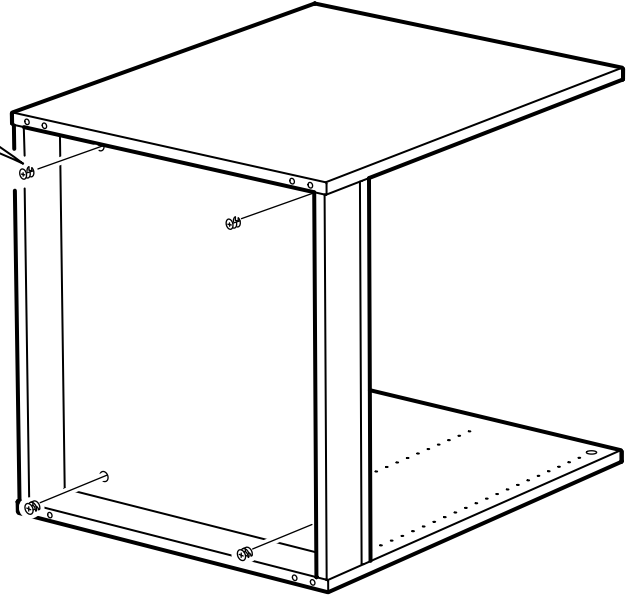
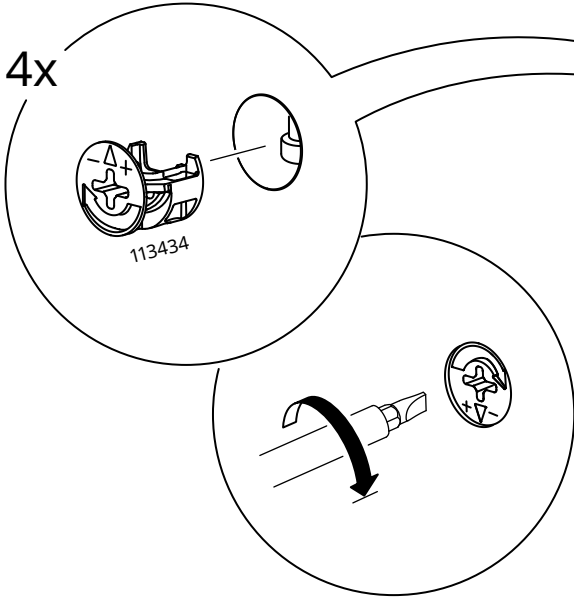
5



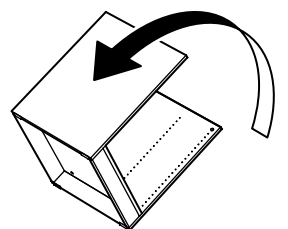
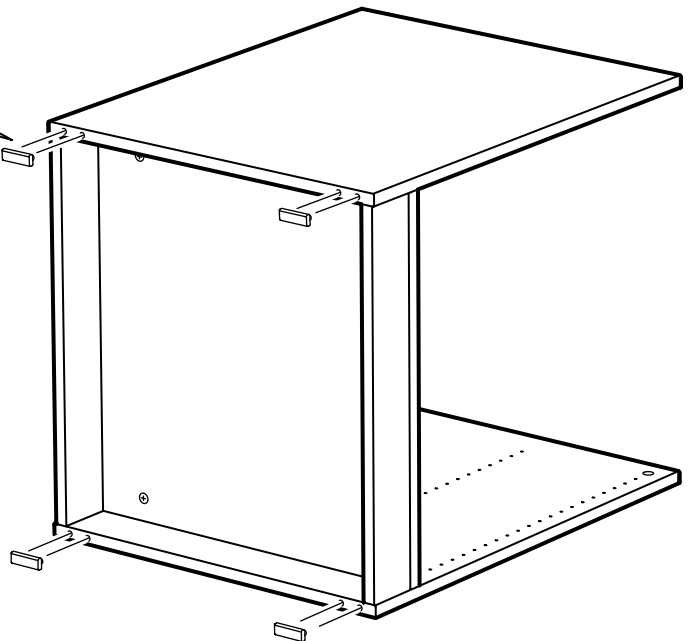
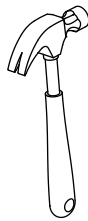
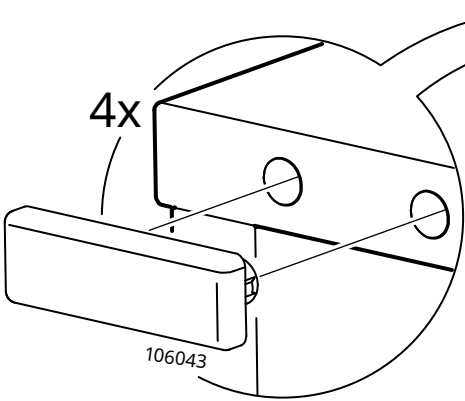
6

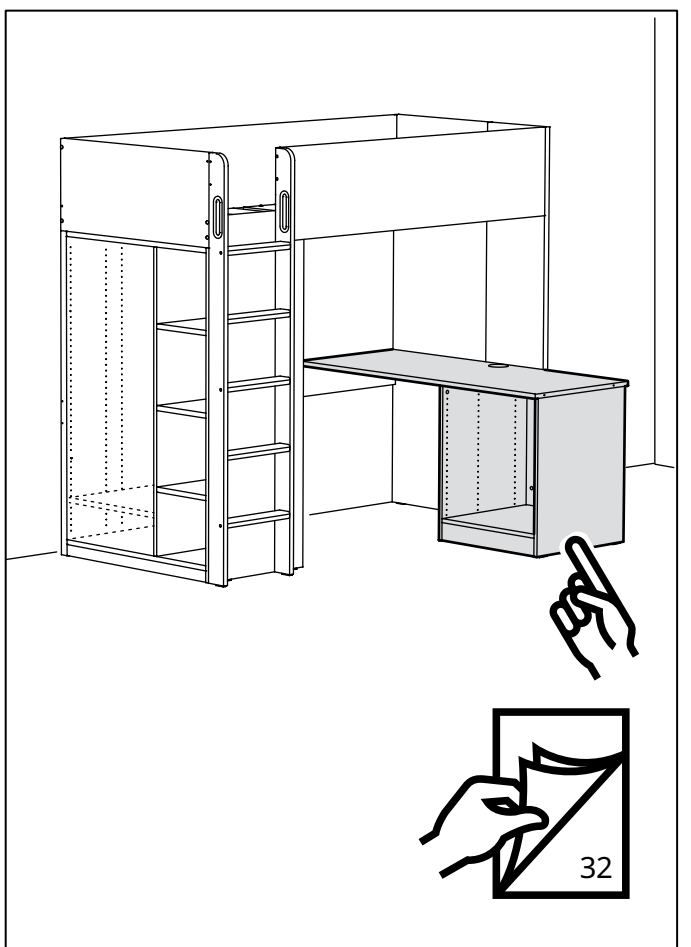
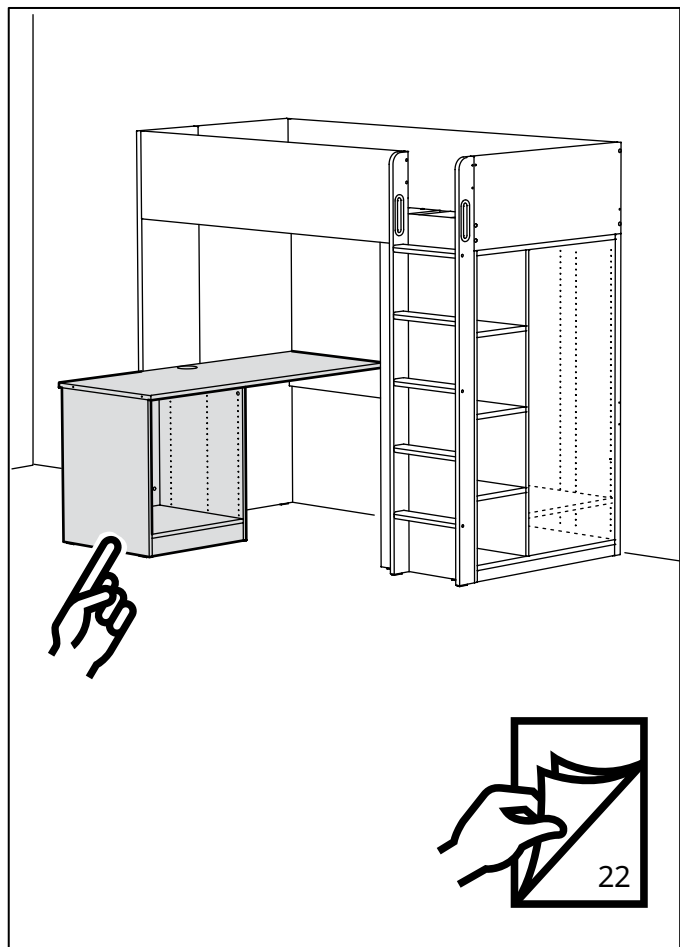
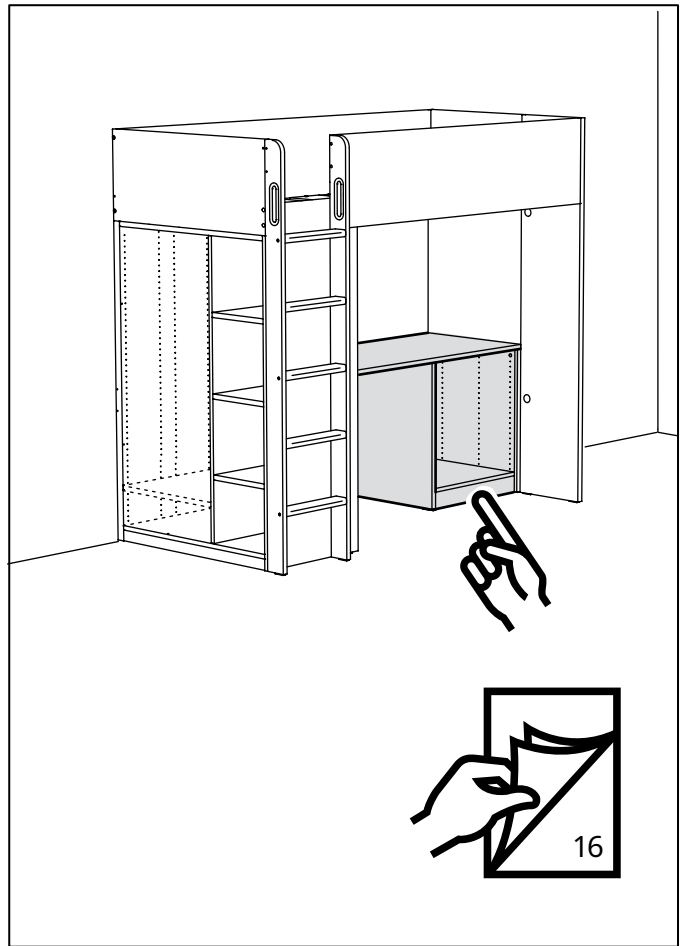
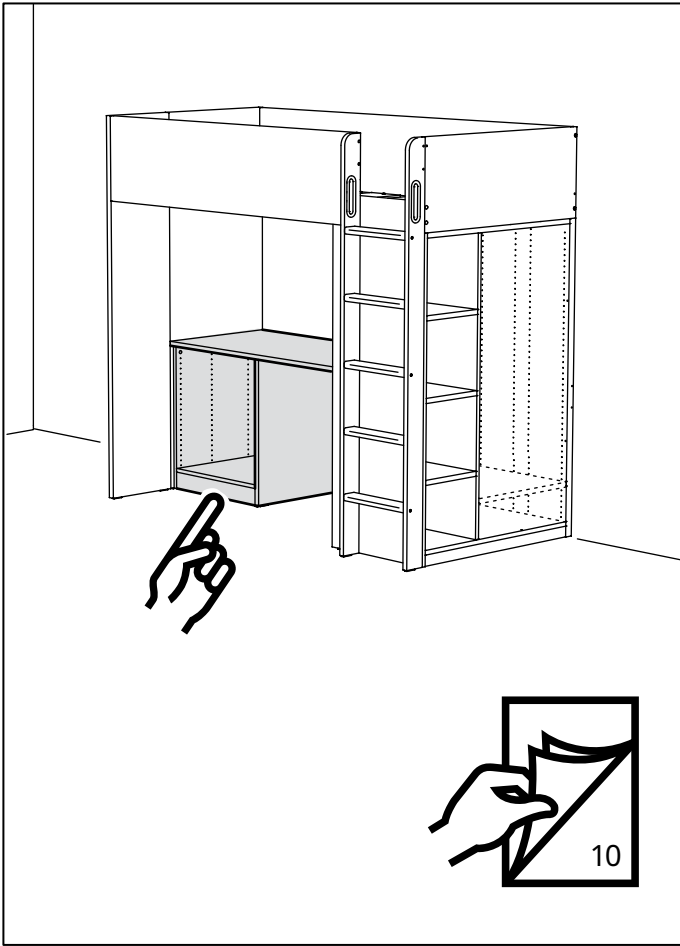


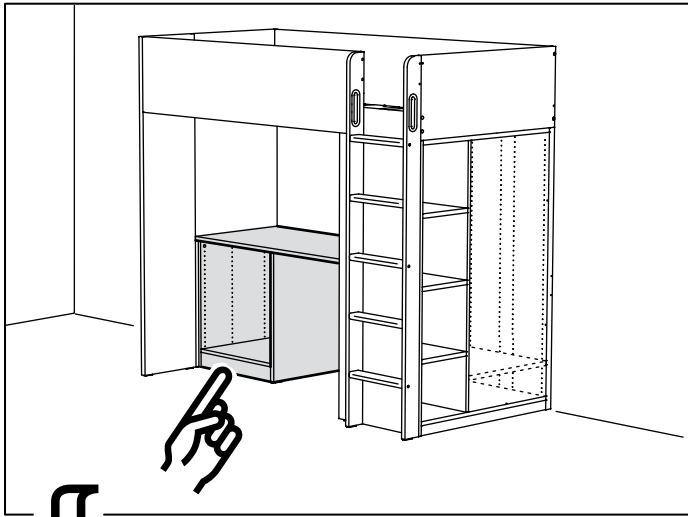
4x



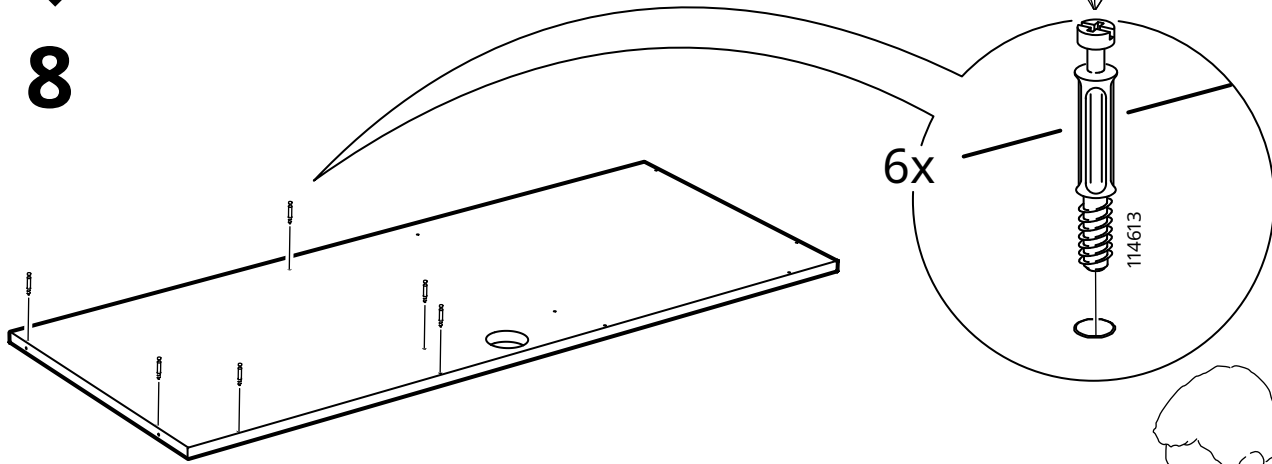
7



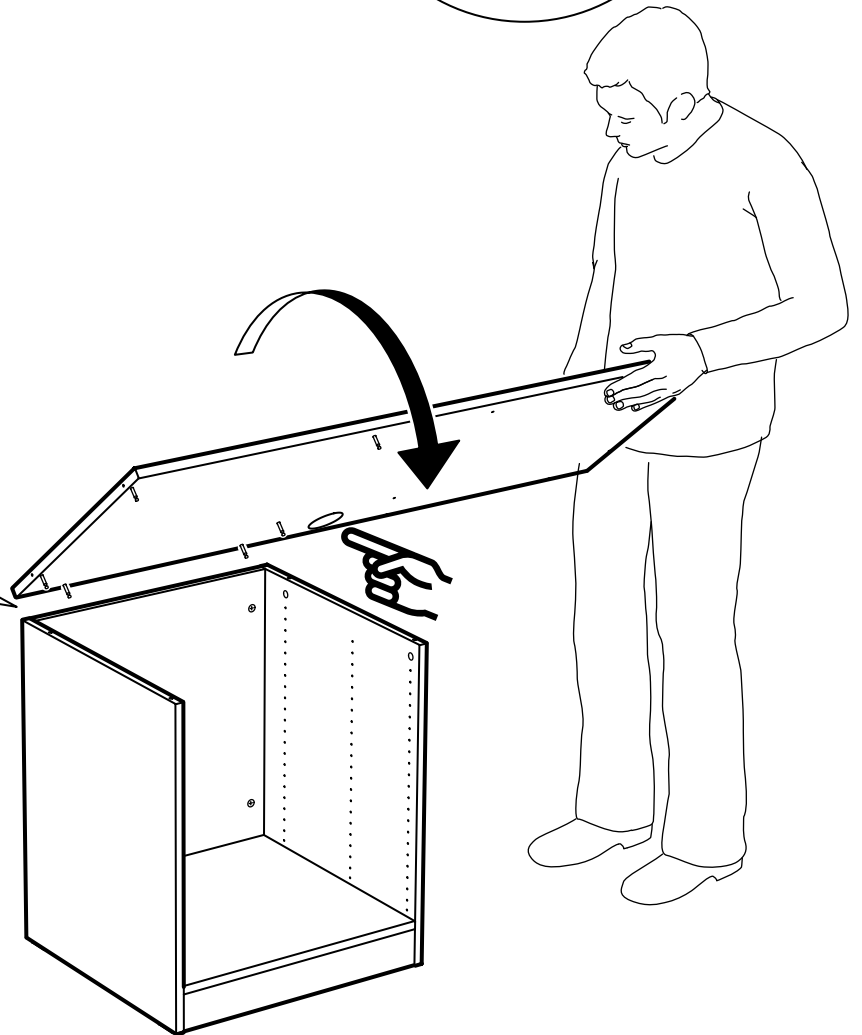
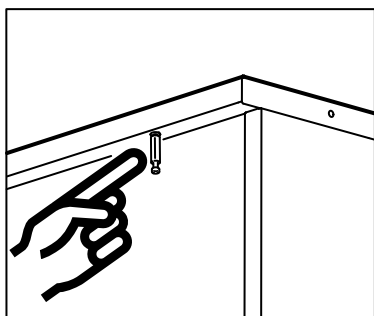
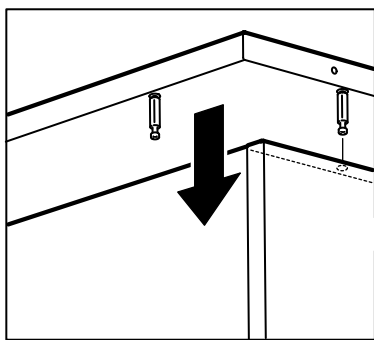




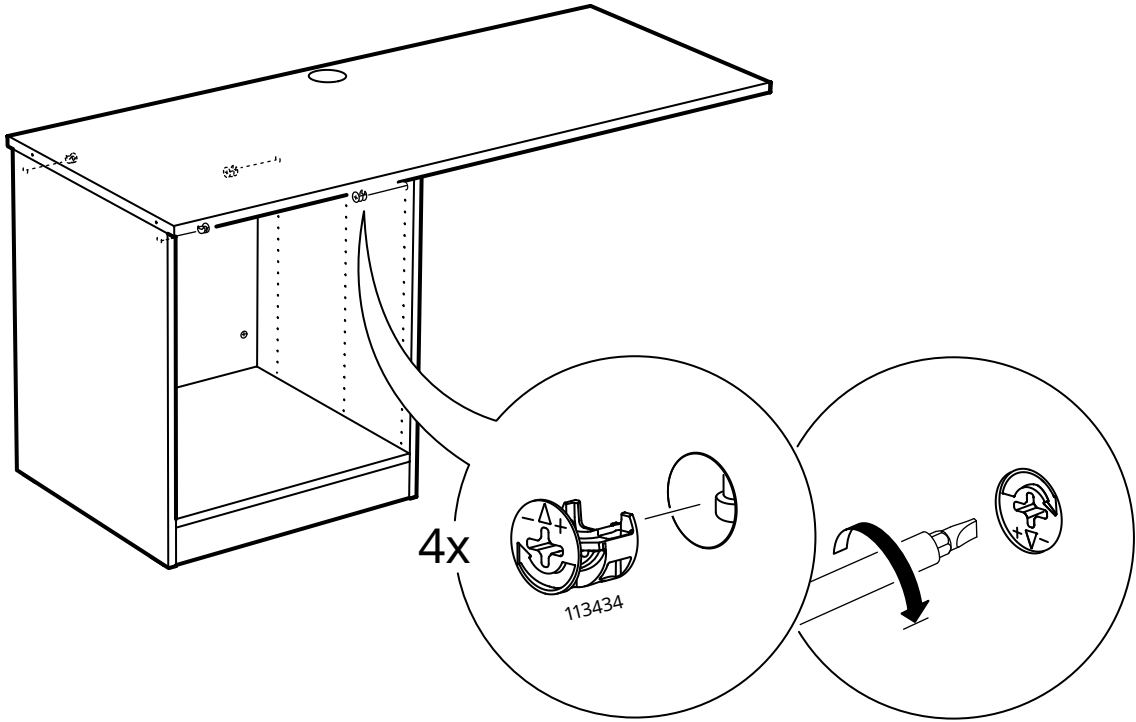
8



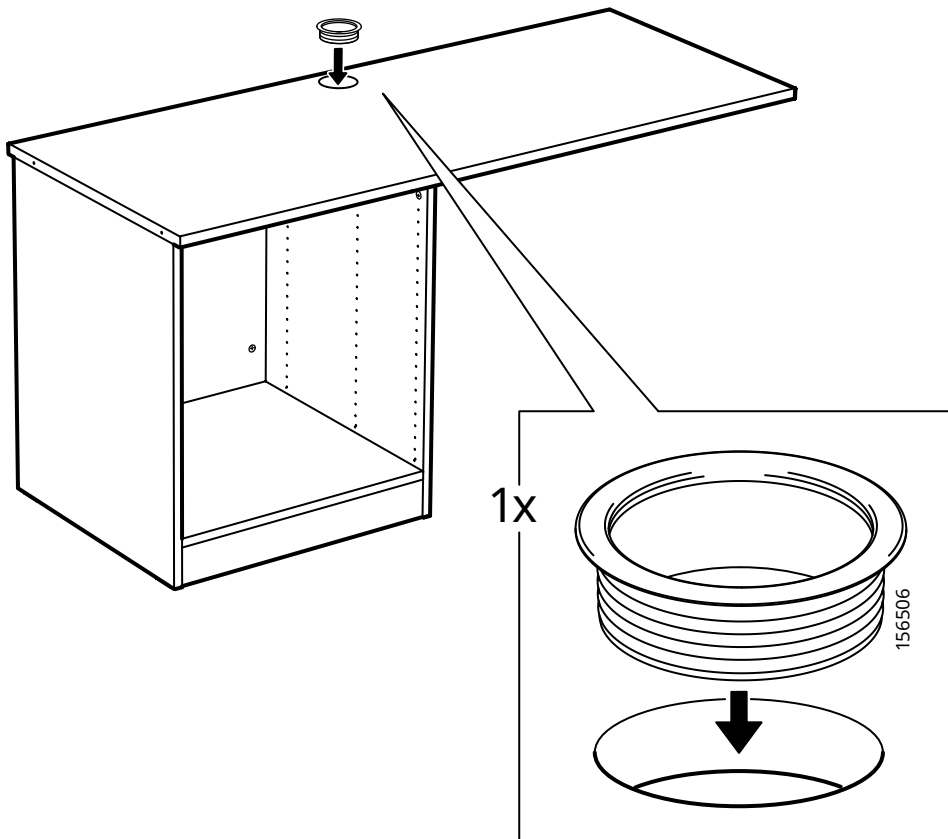
9



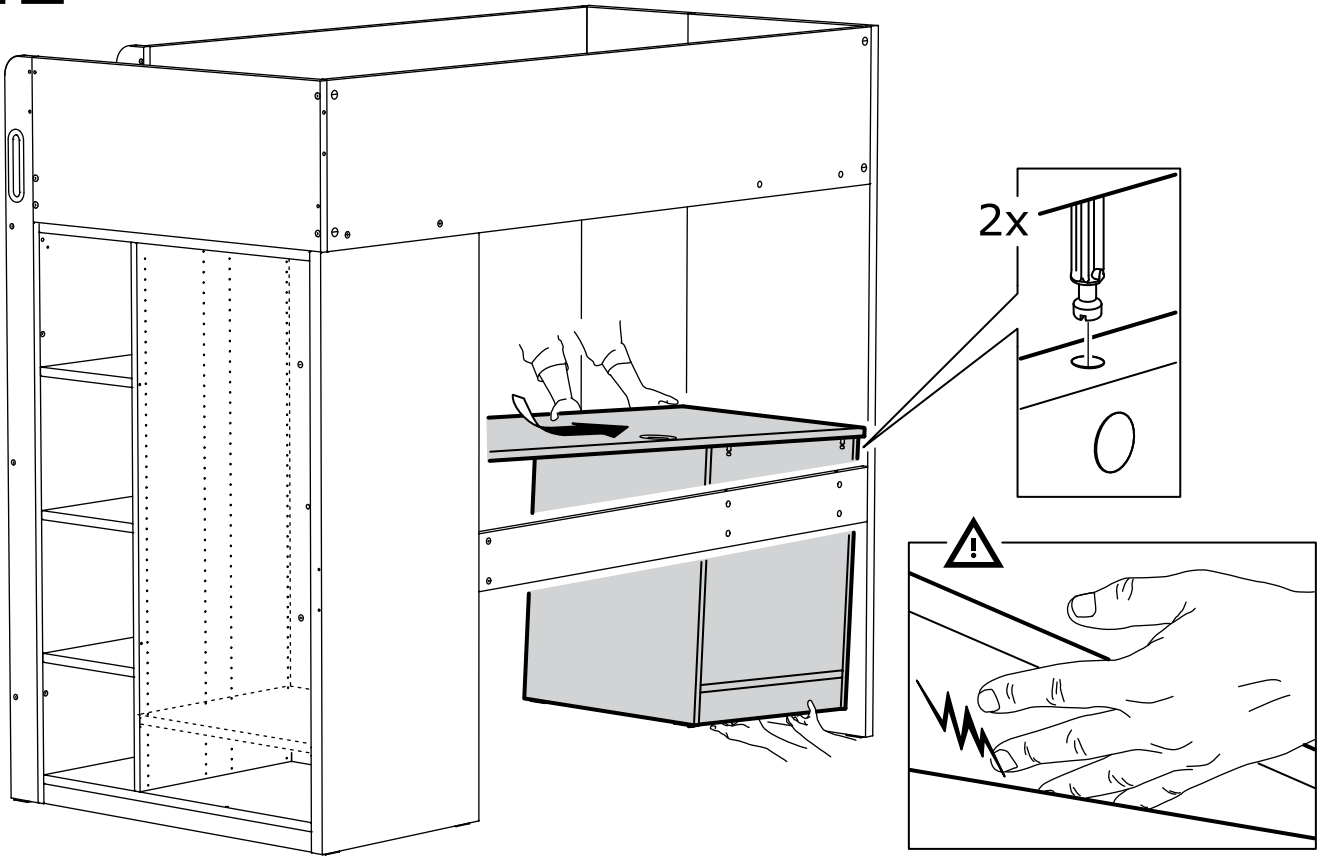
10



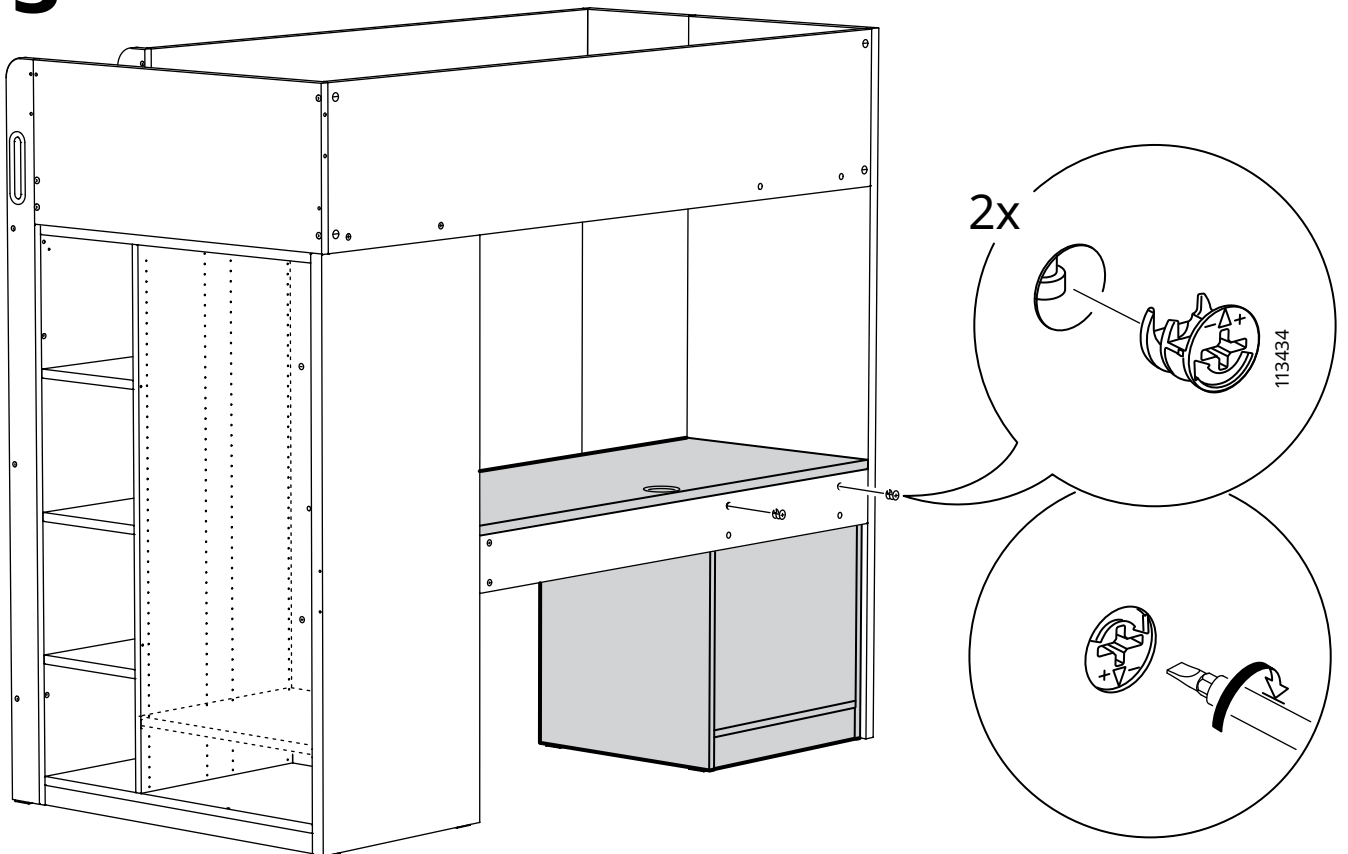
11



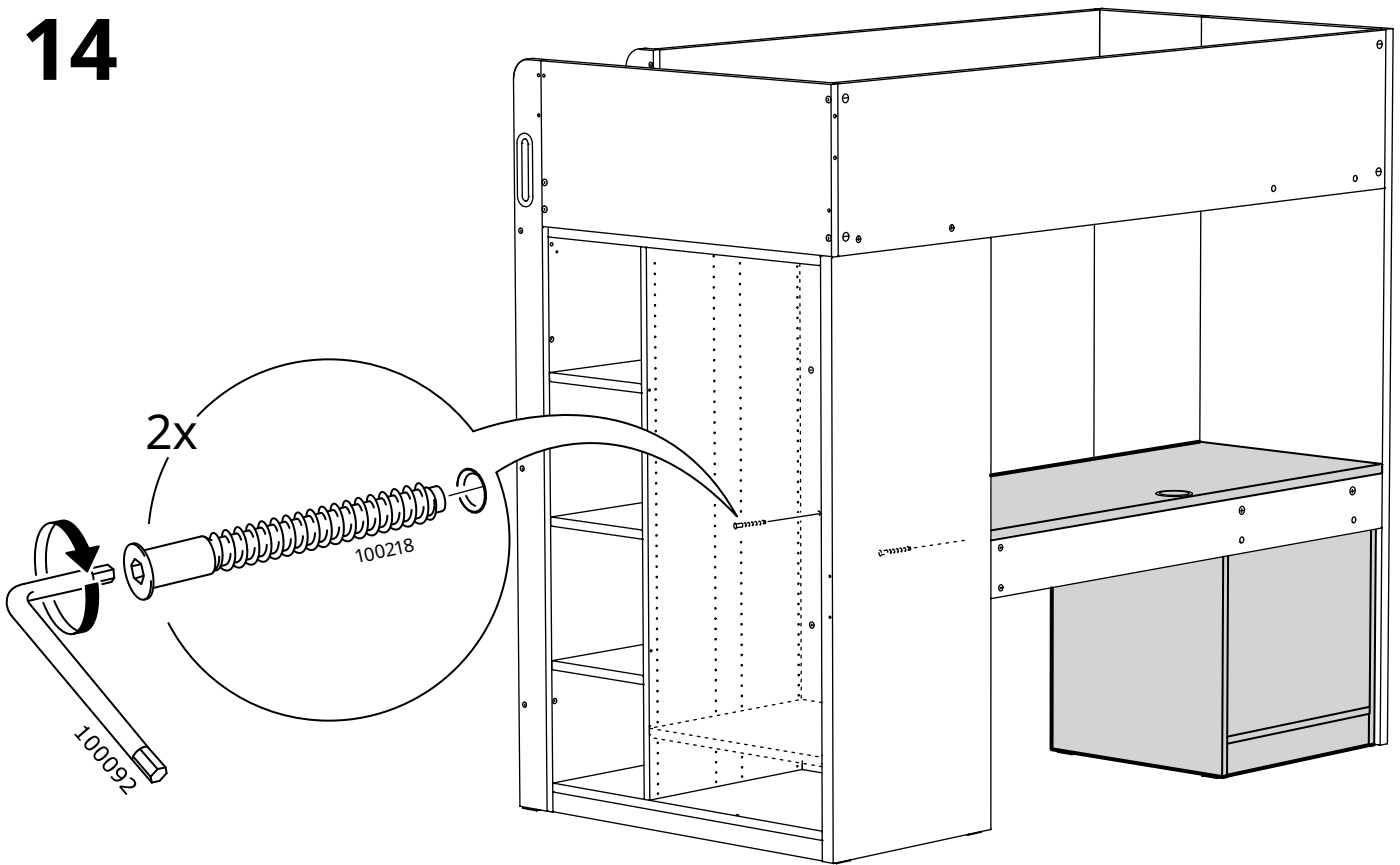
12



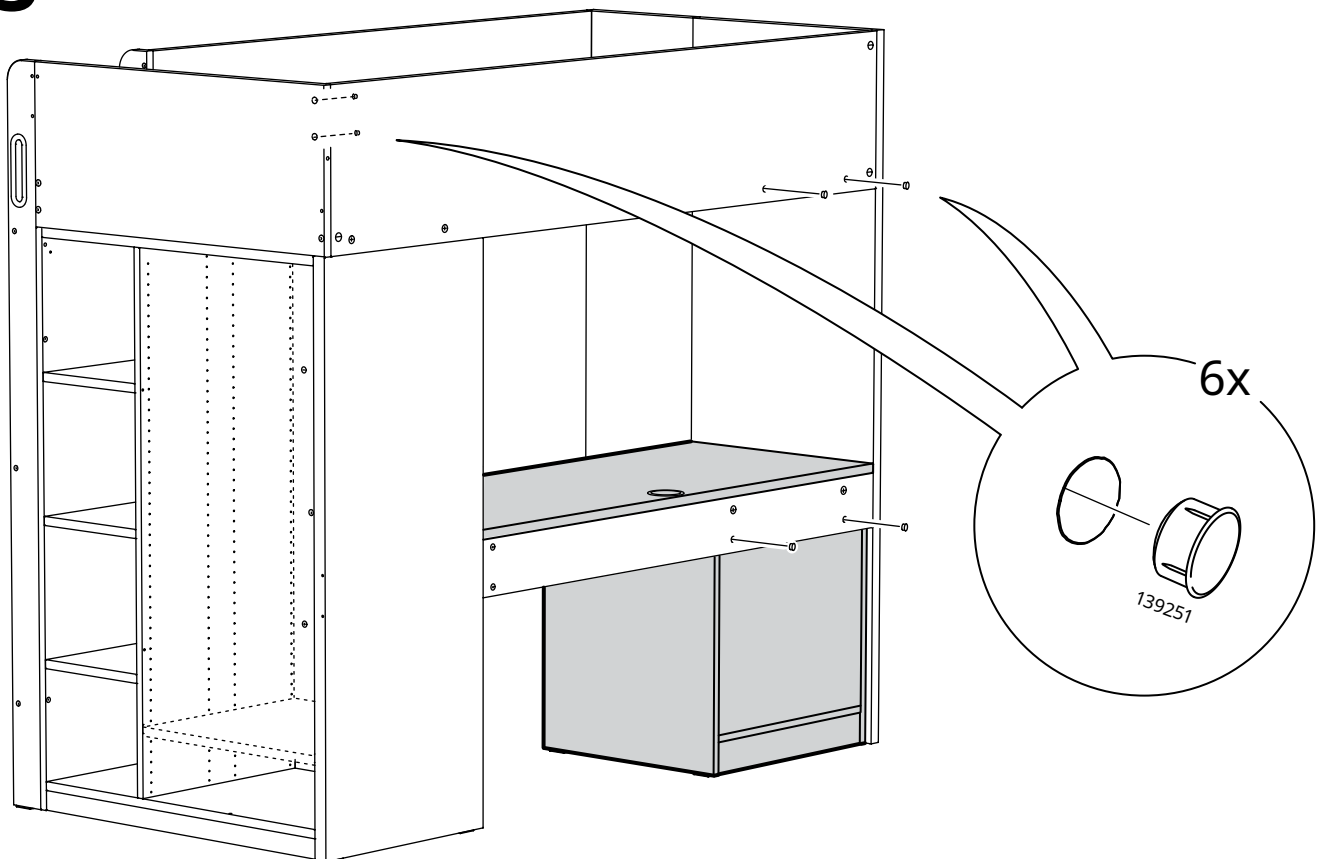
13



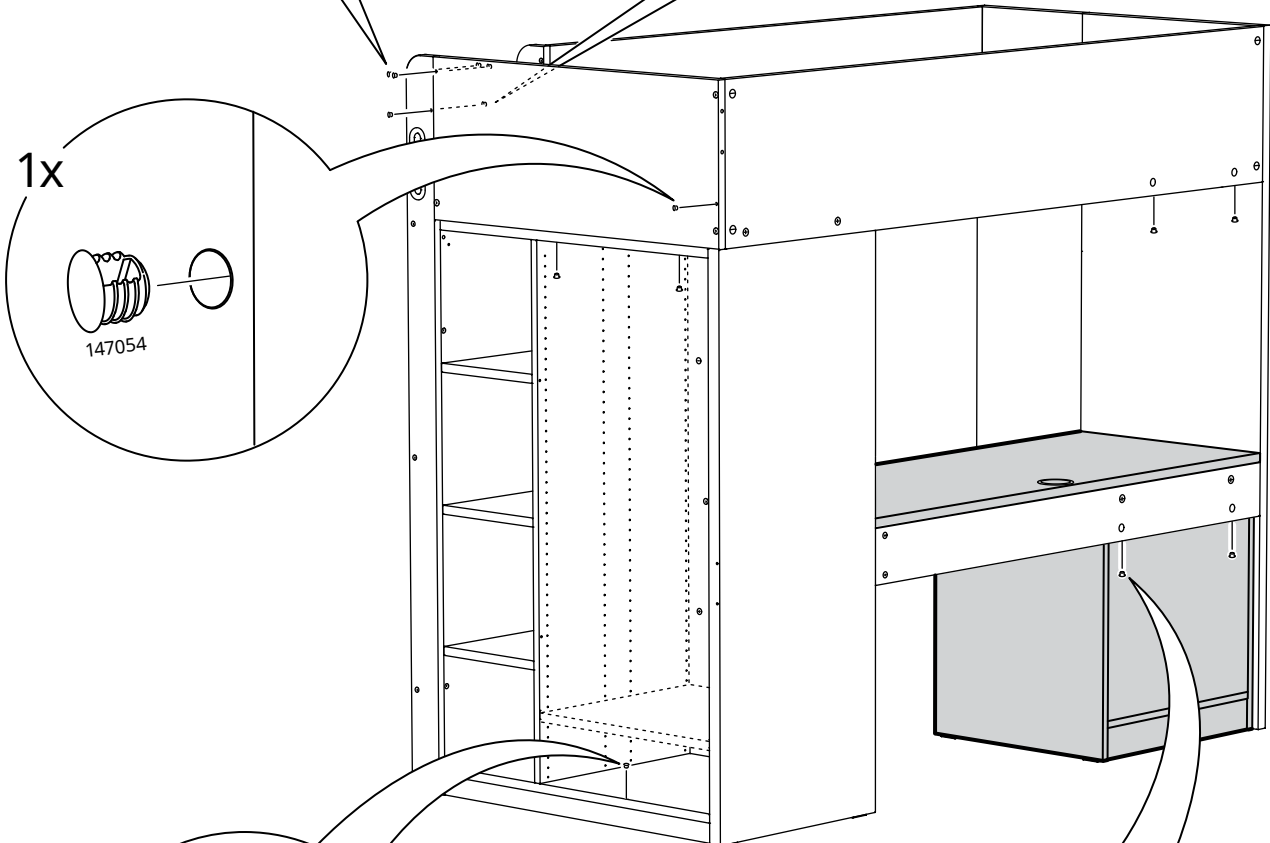
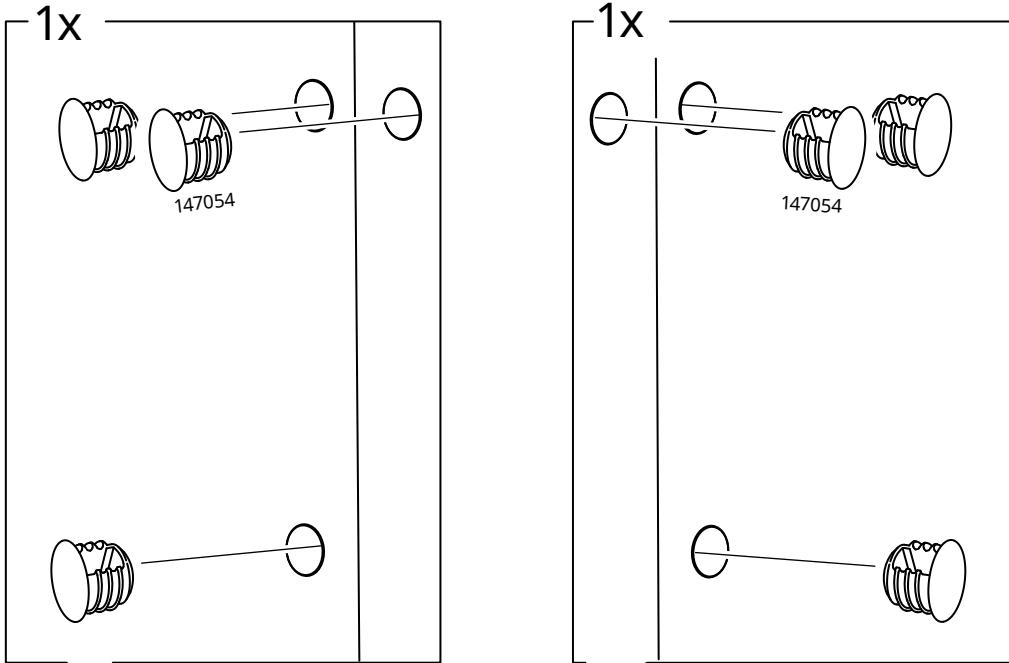
14



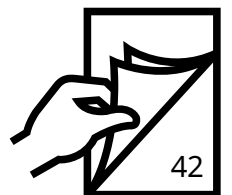
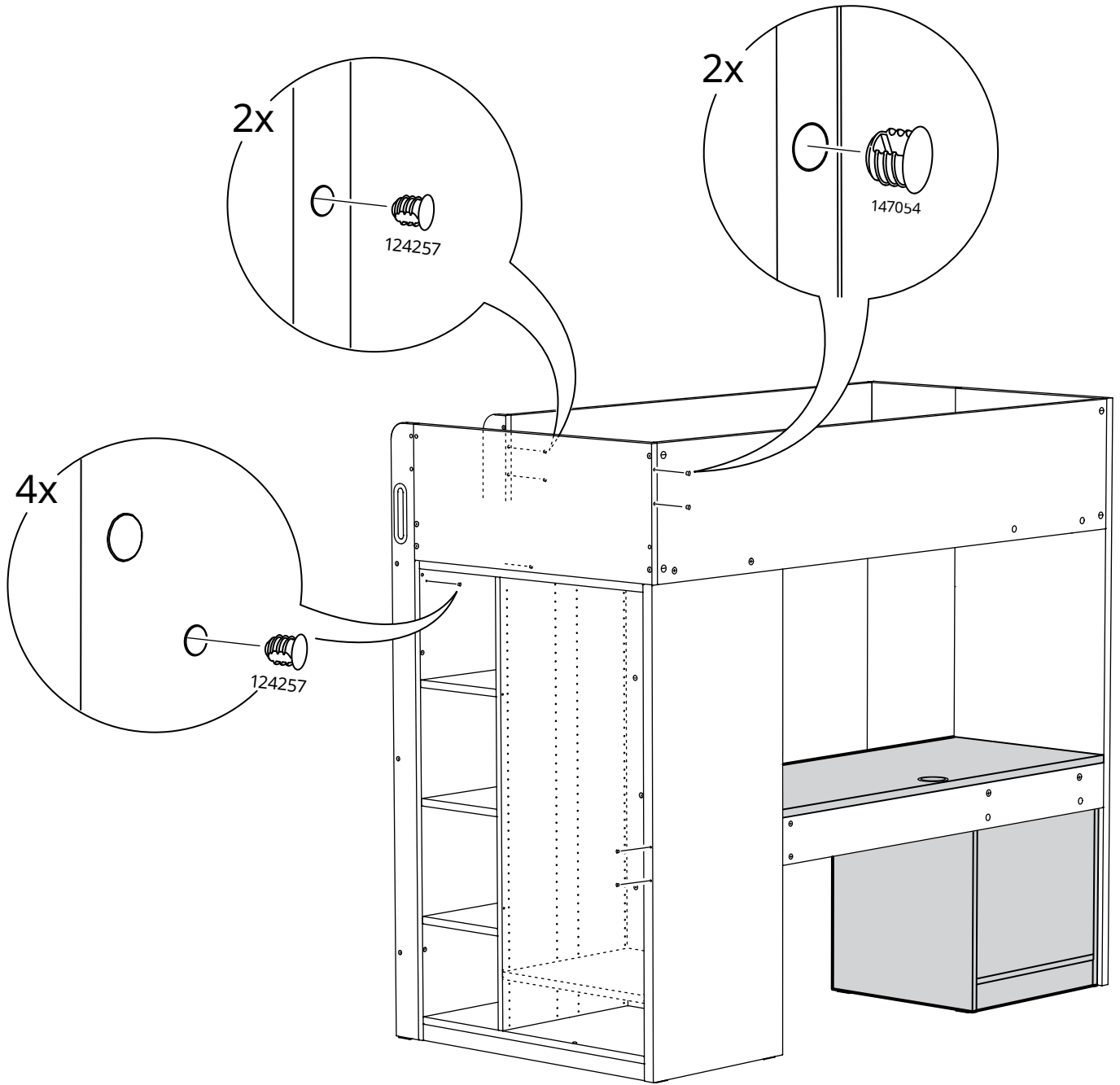
15

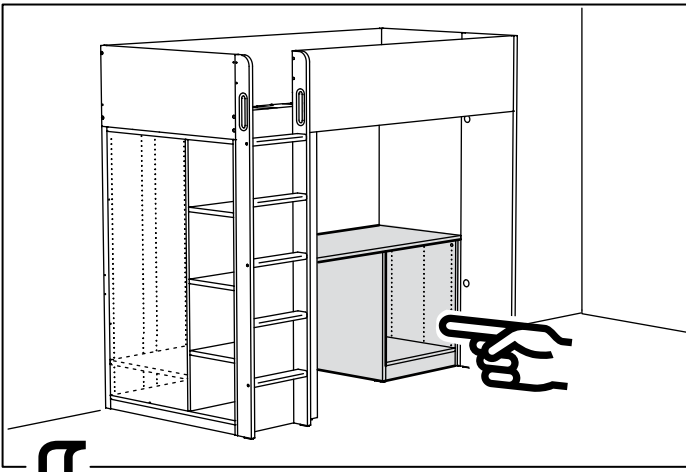


16

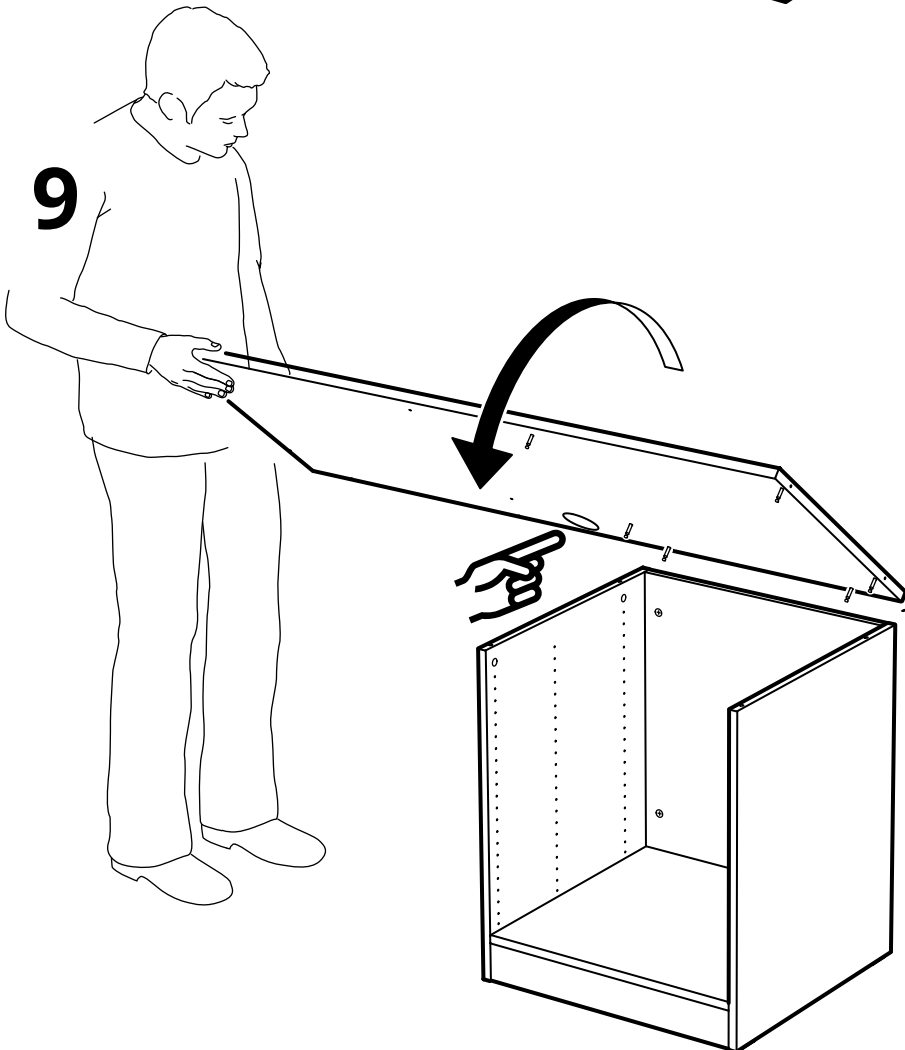
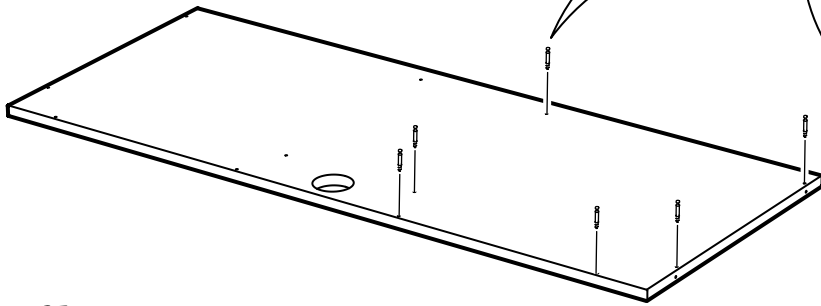
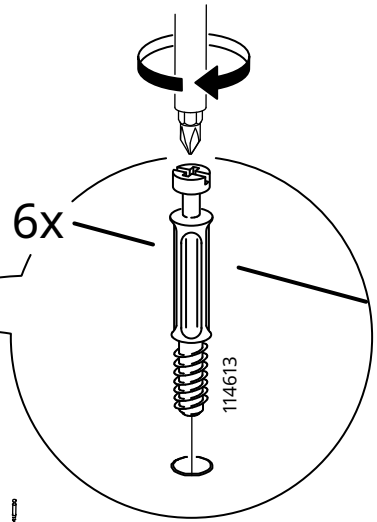


17

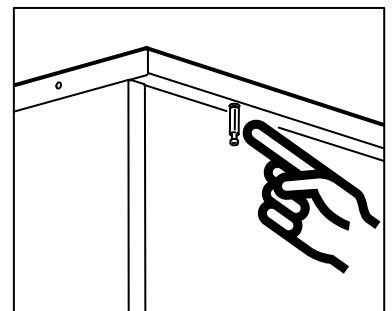
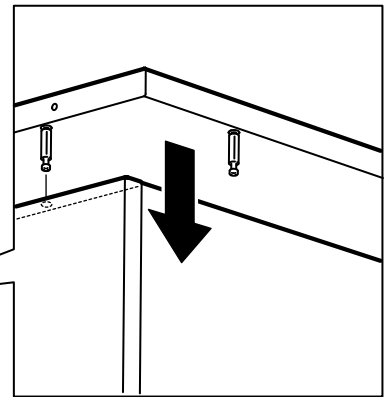




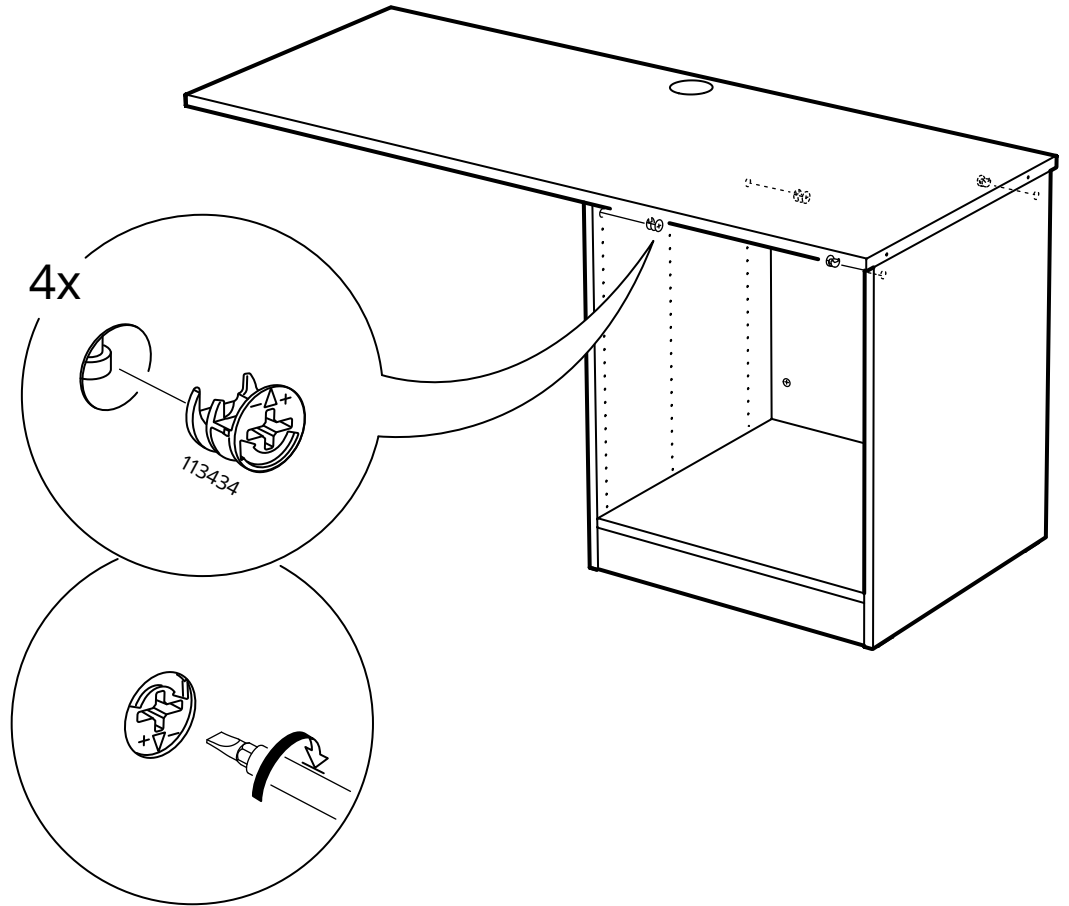
8



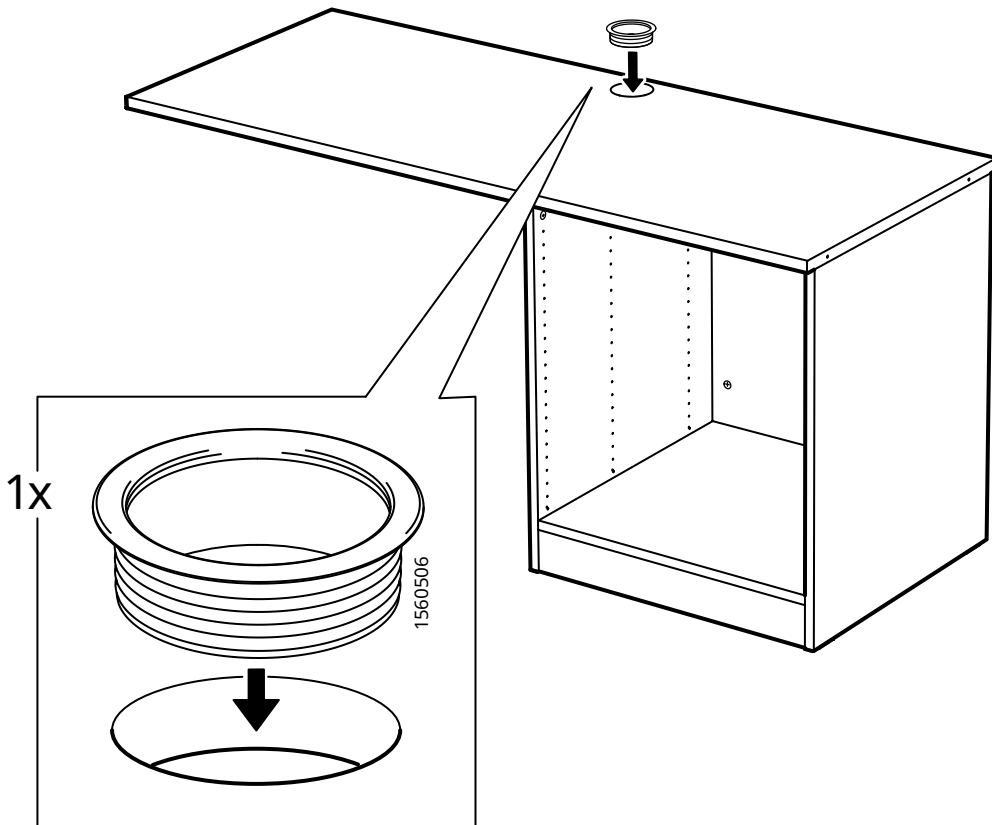
9



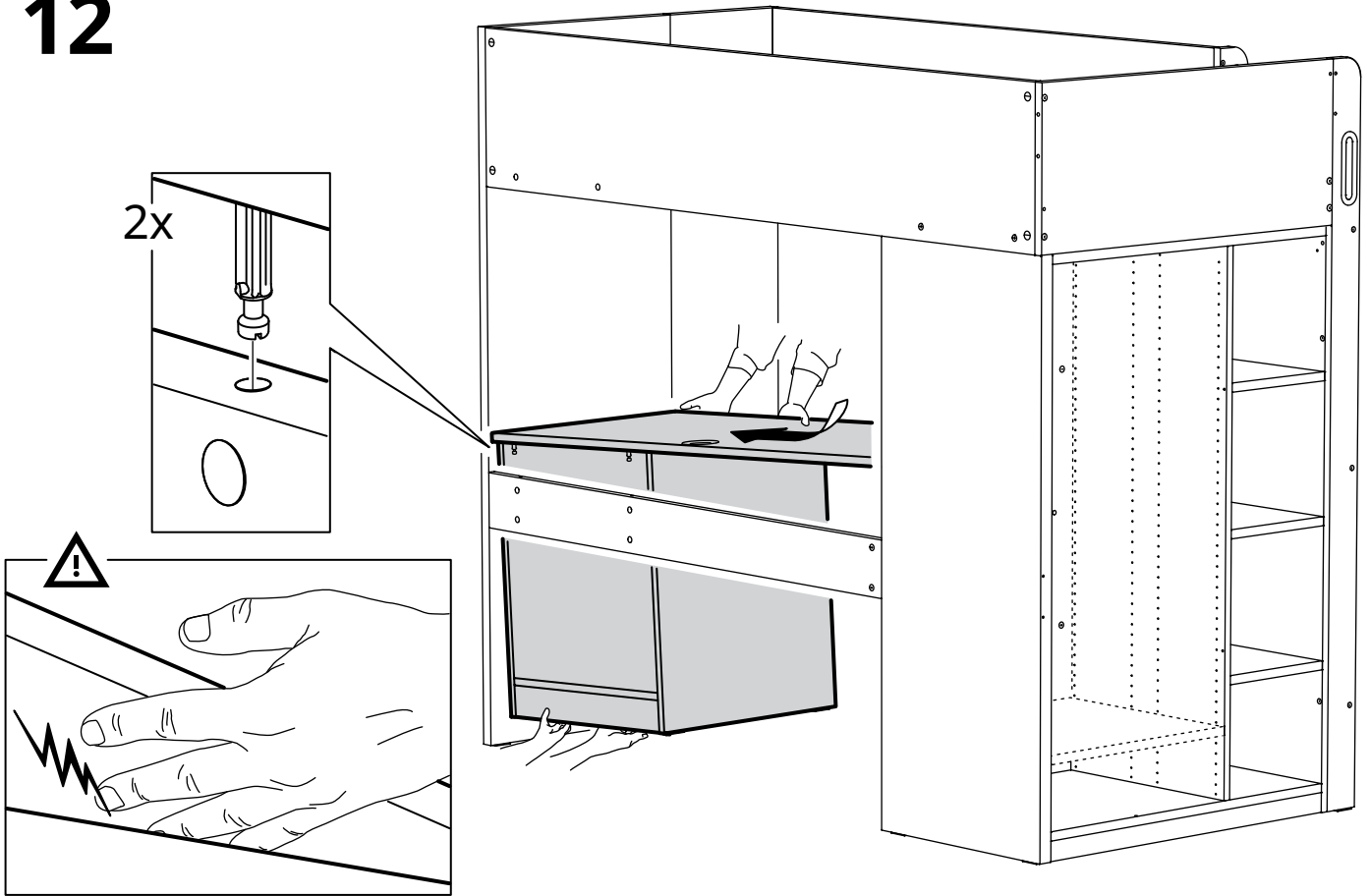
10



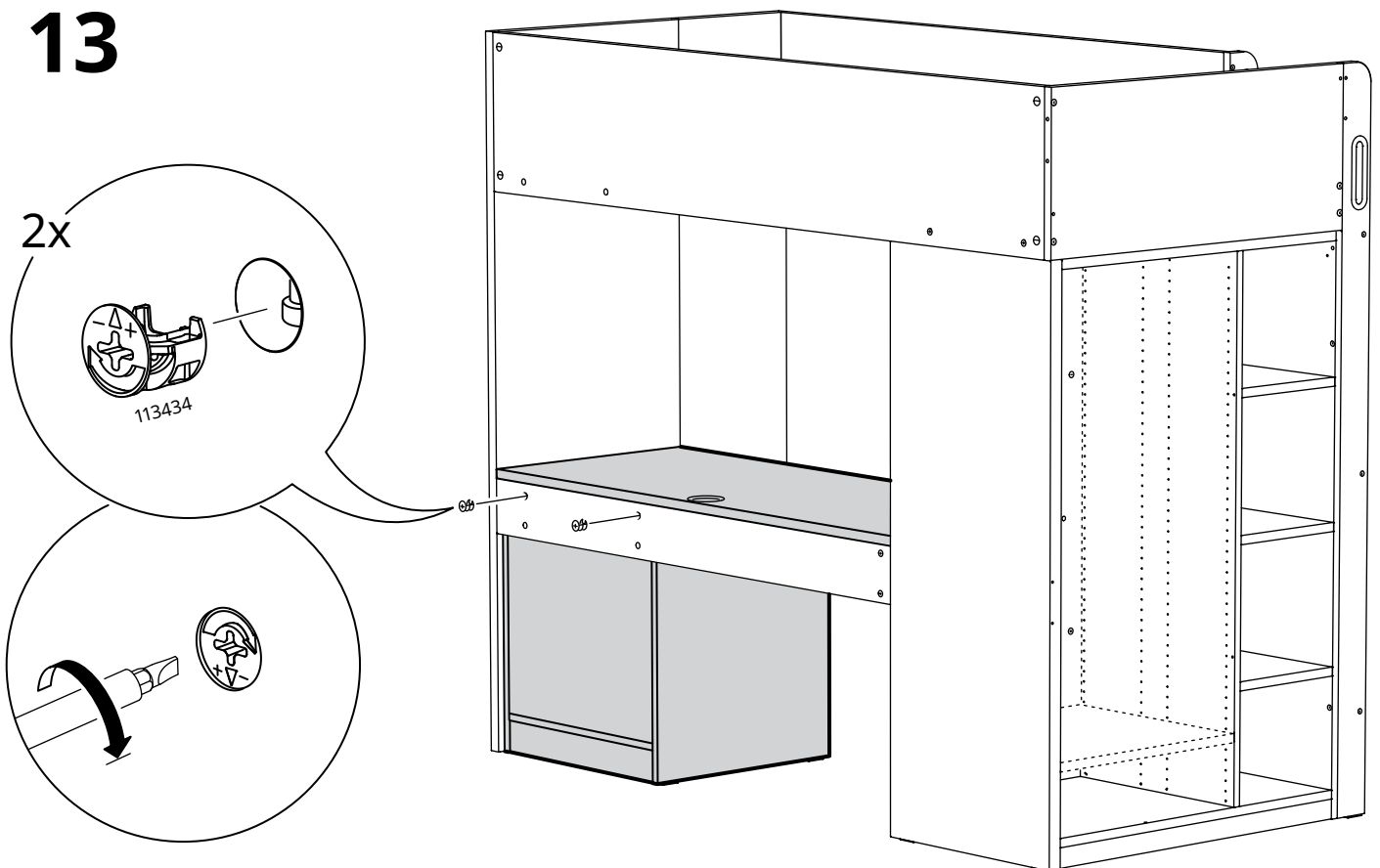
11



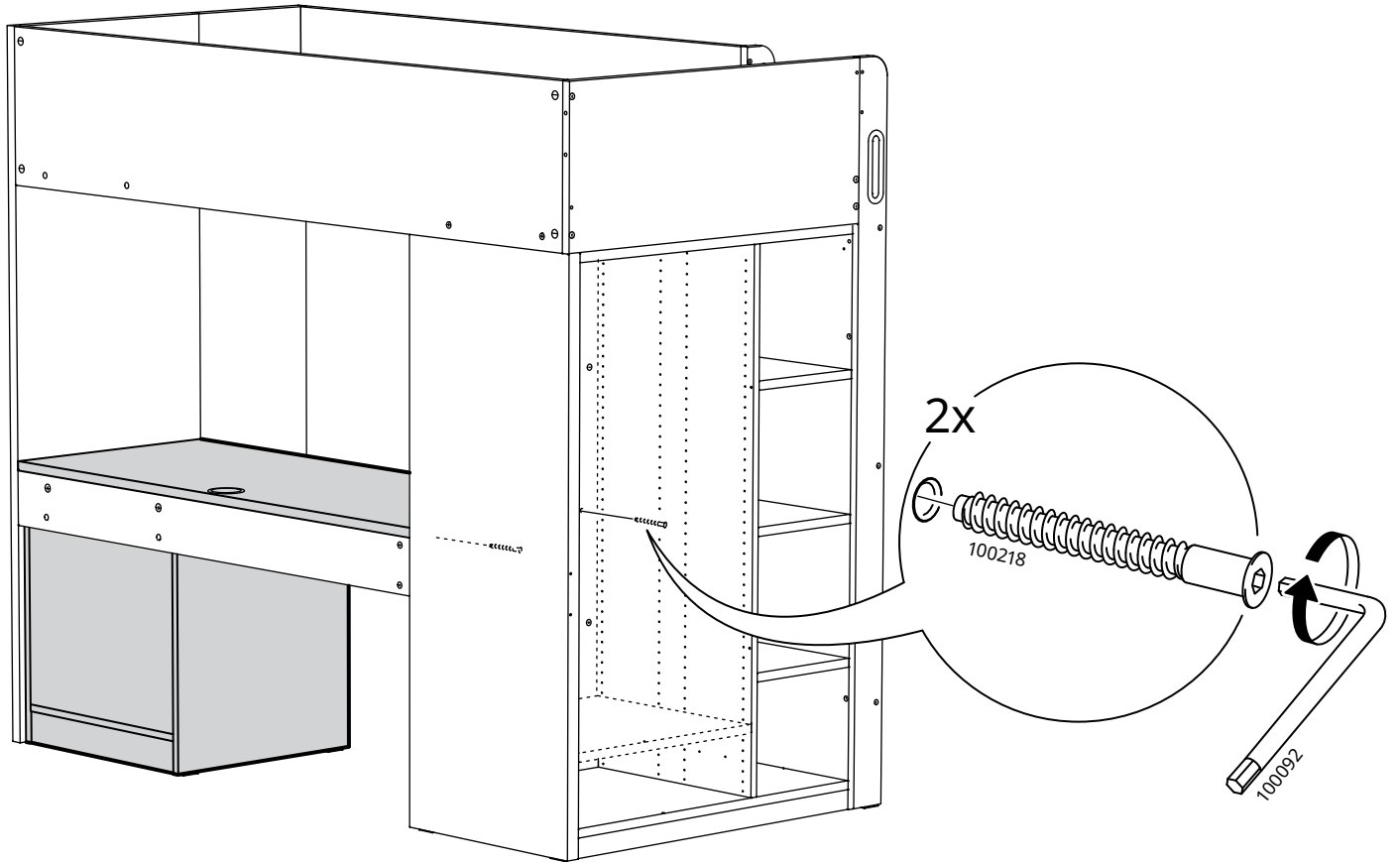
12



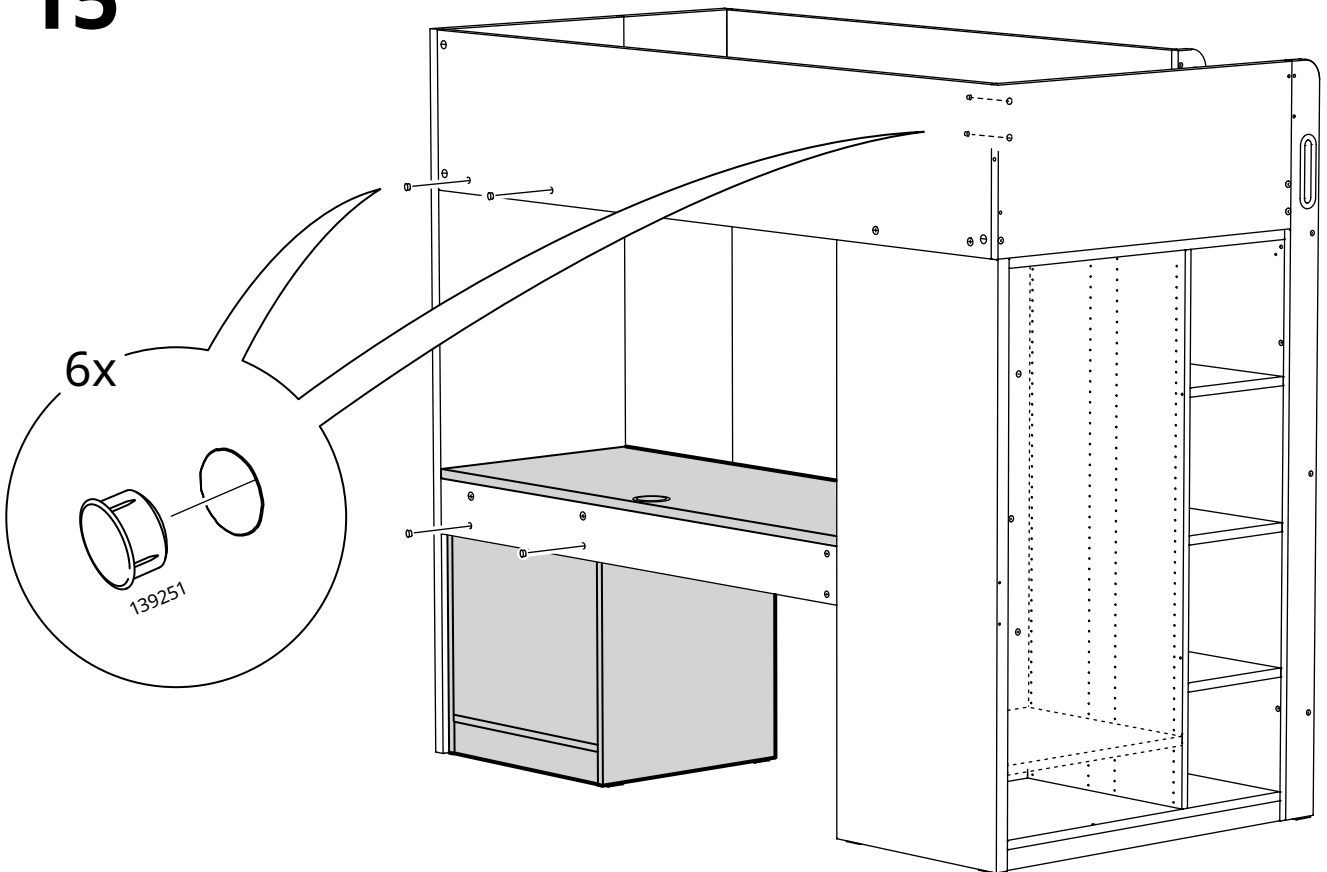
13



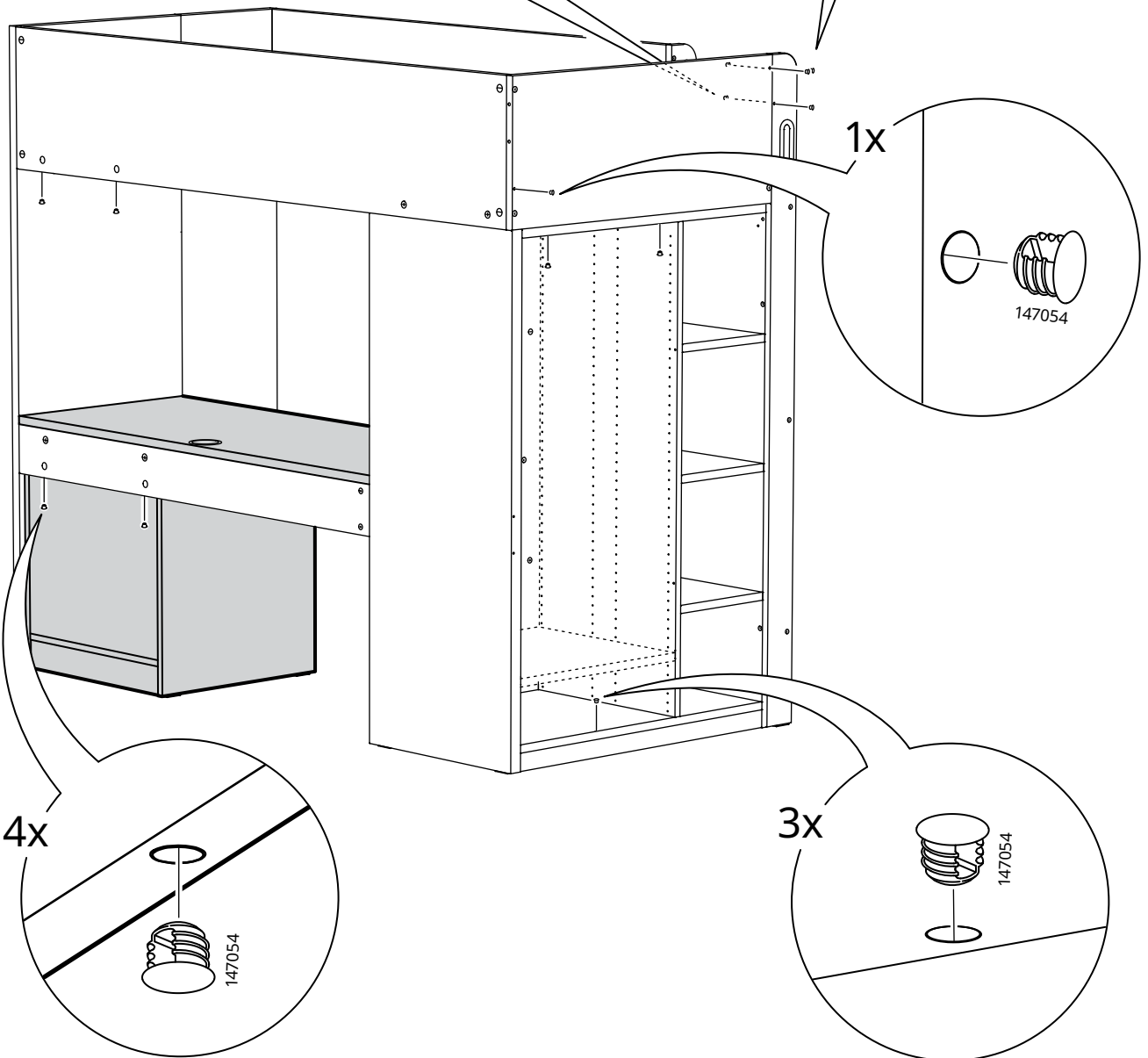
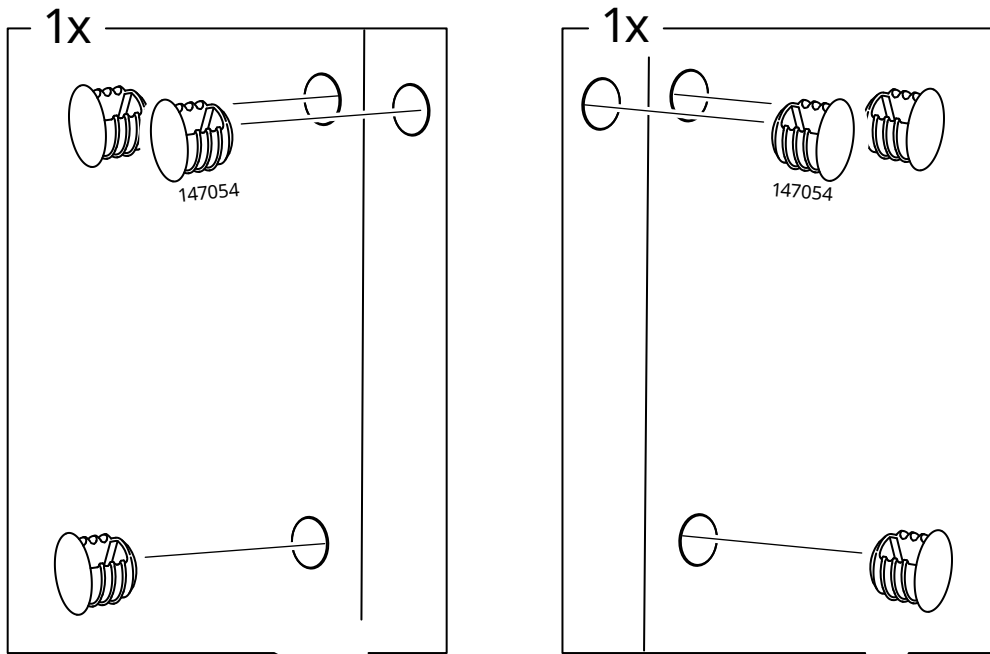
14



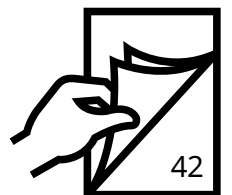
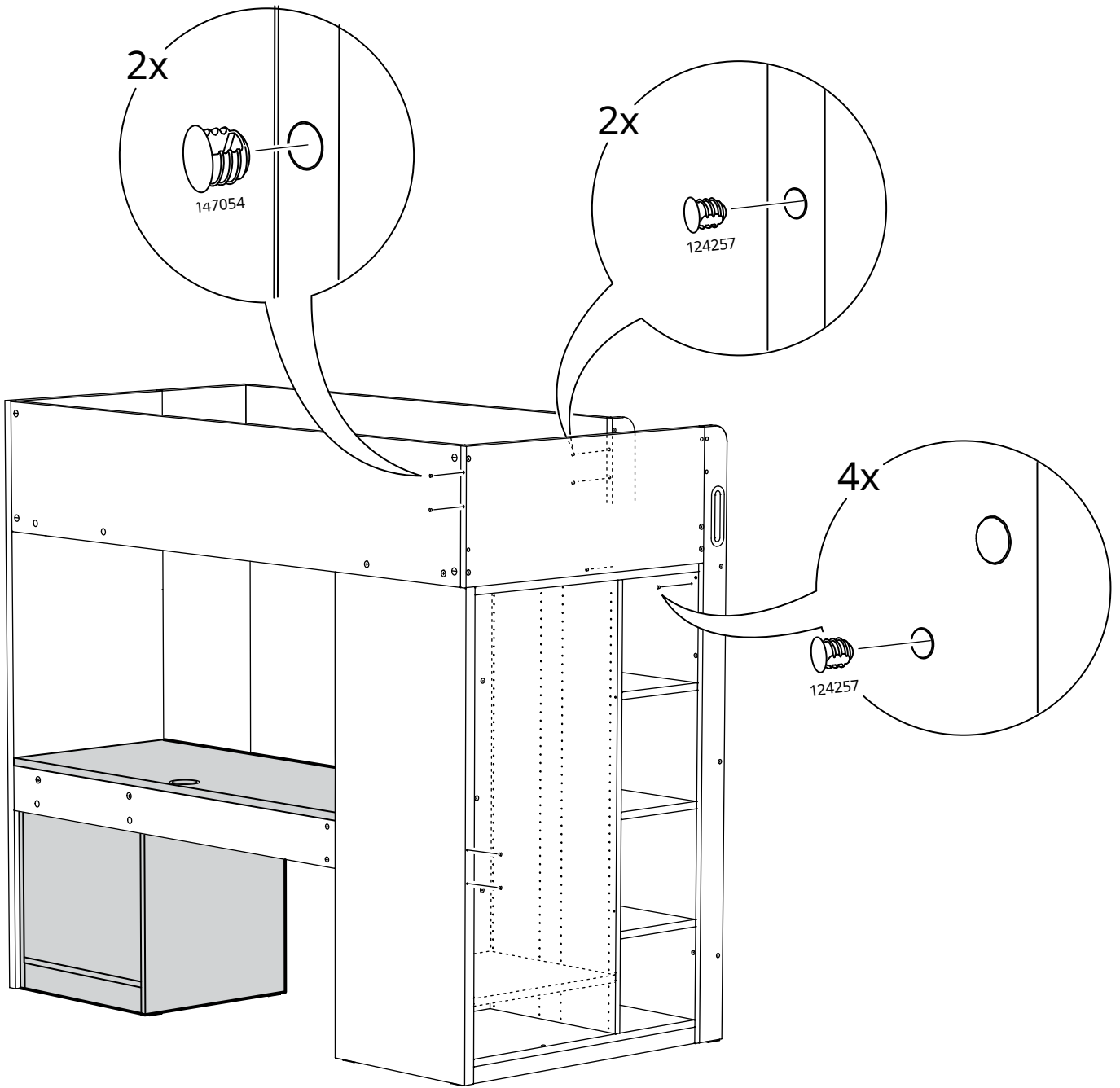
15

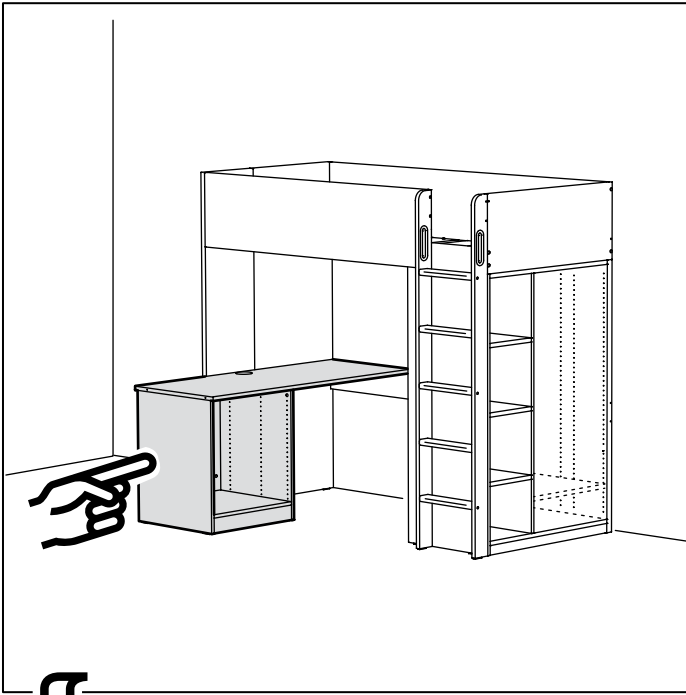


16

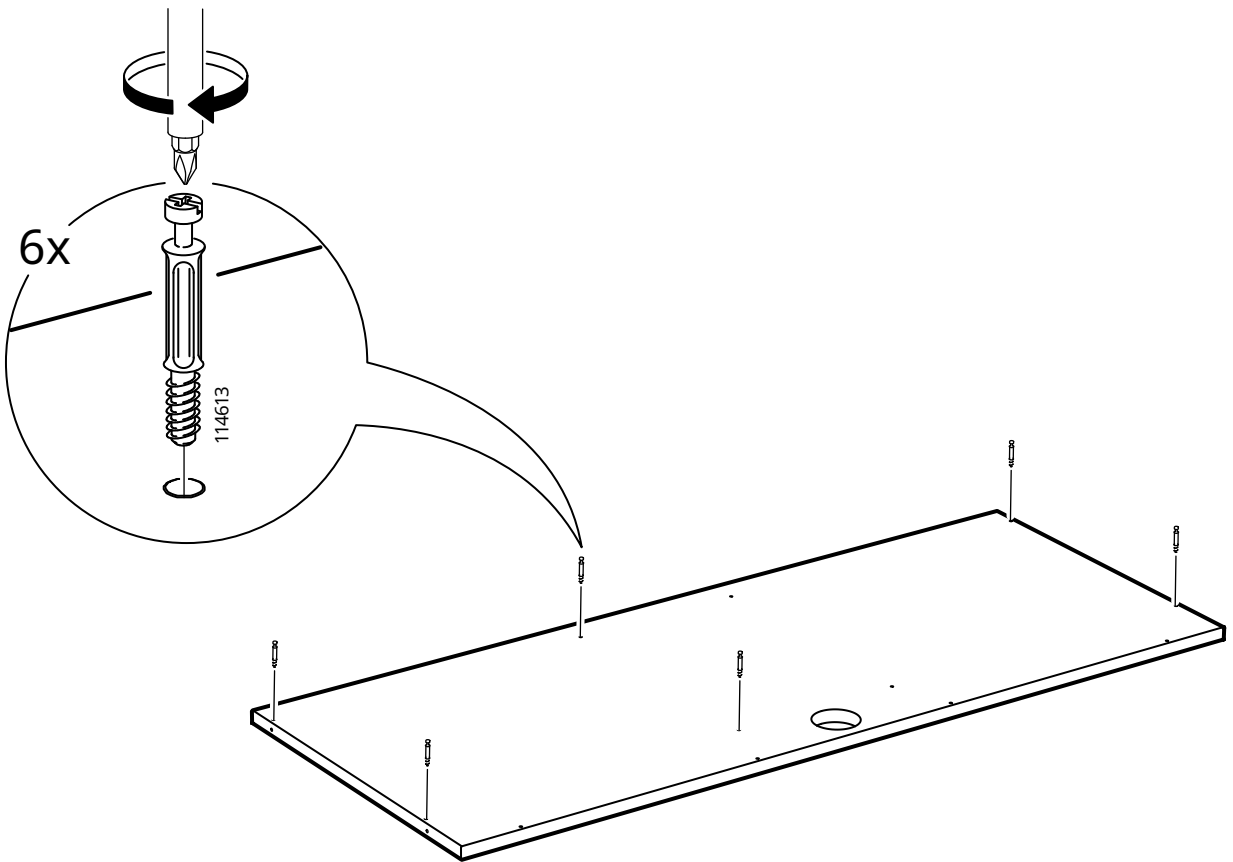


17

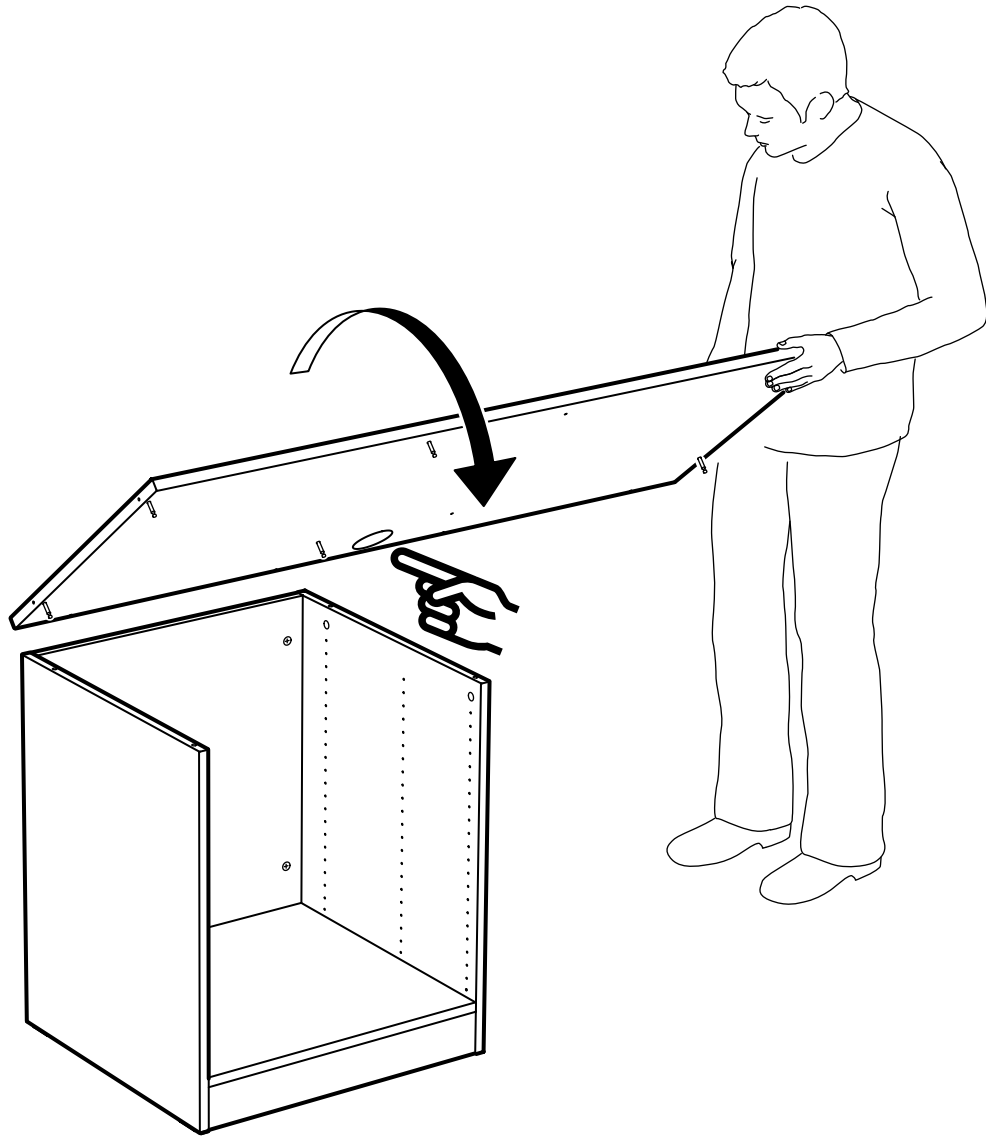




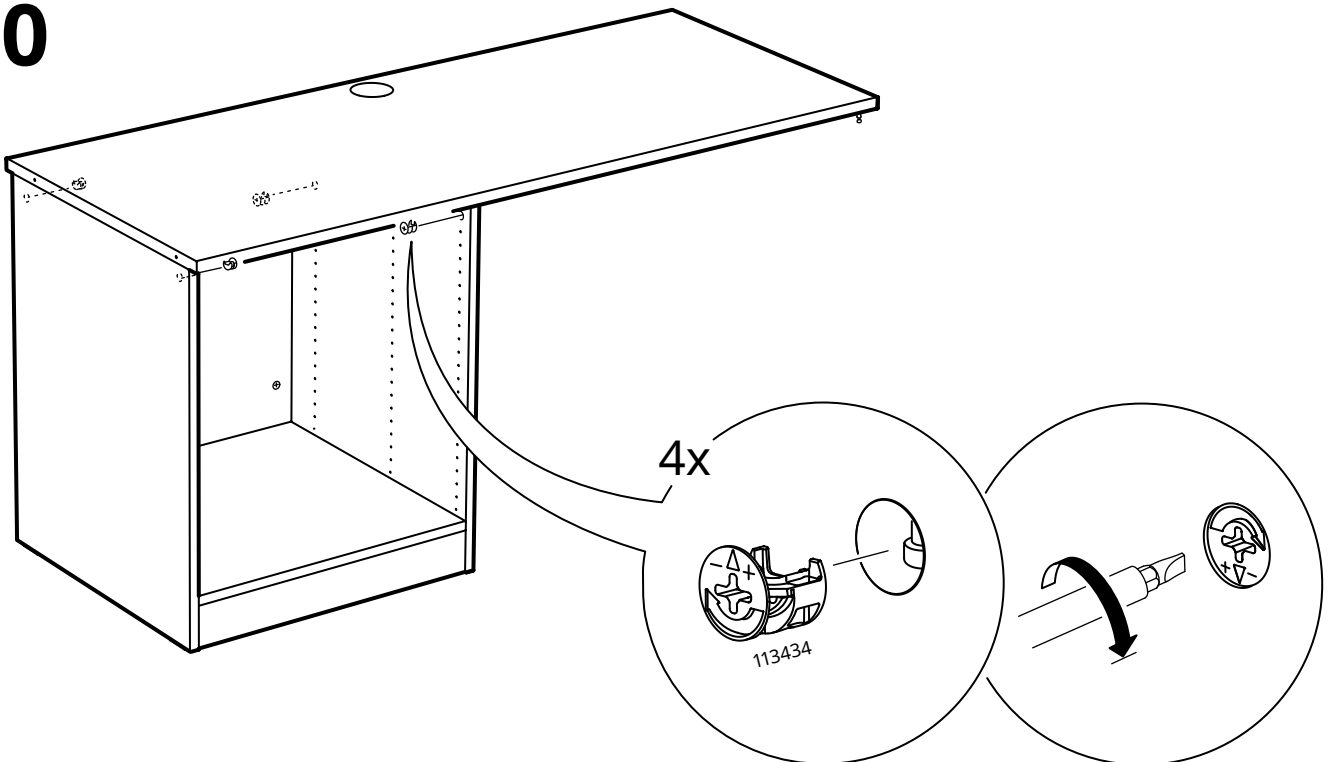
8



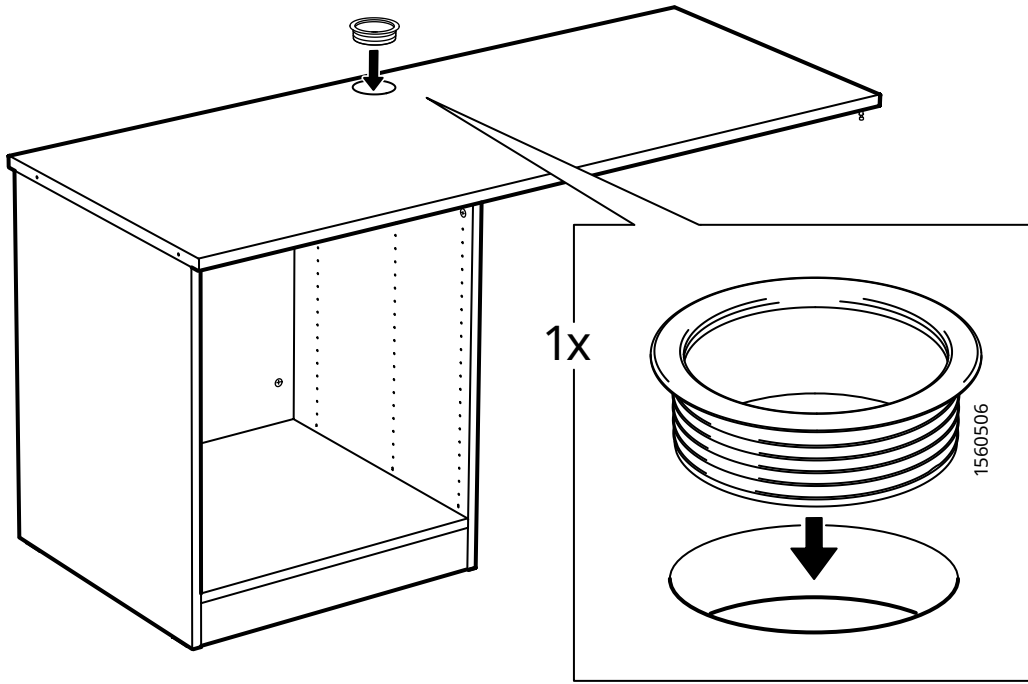
9



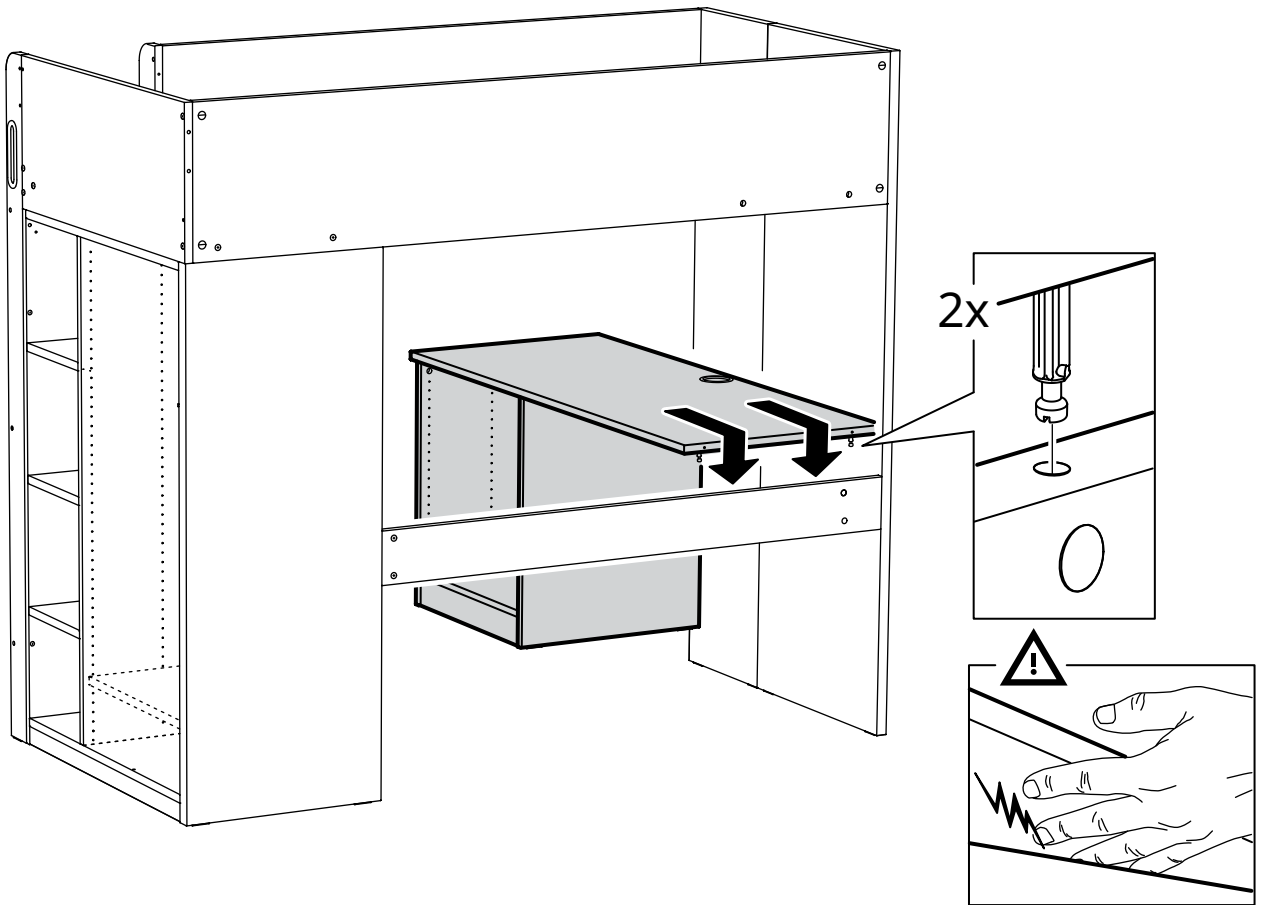
10



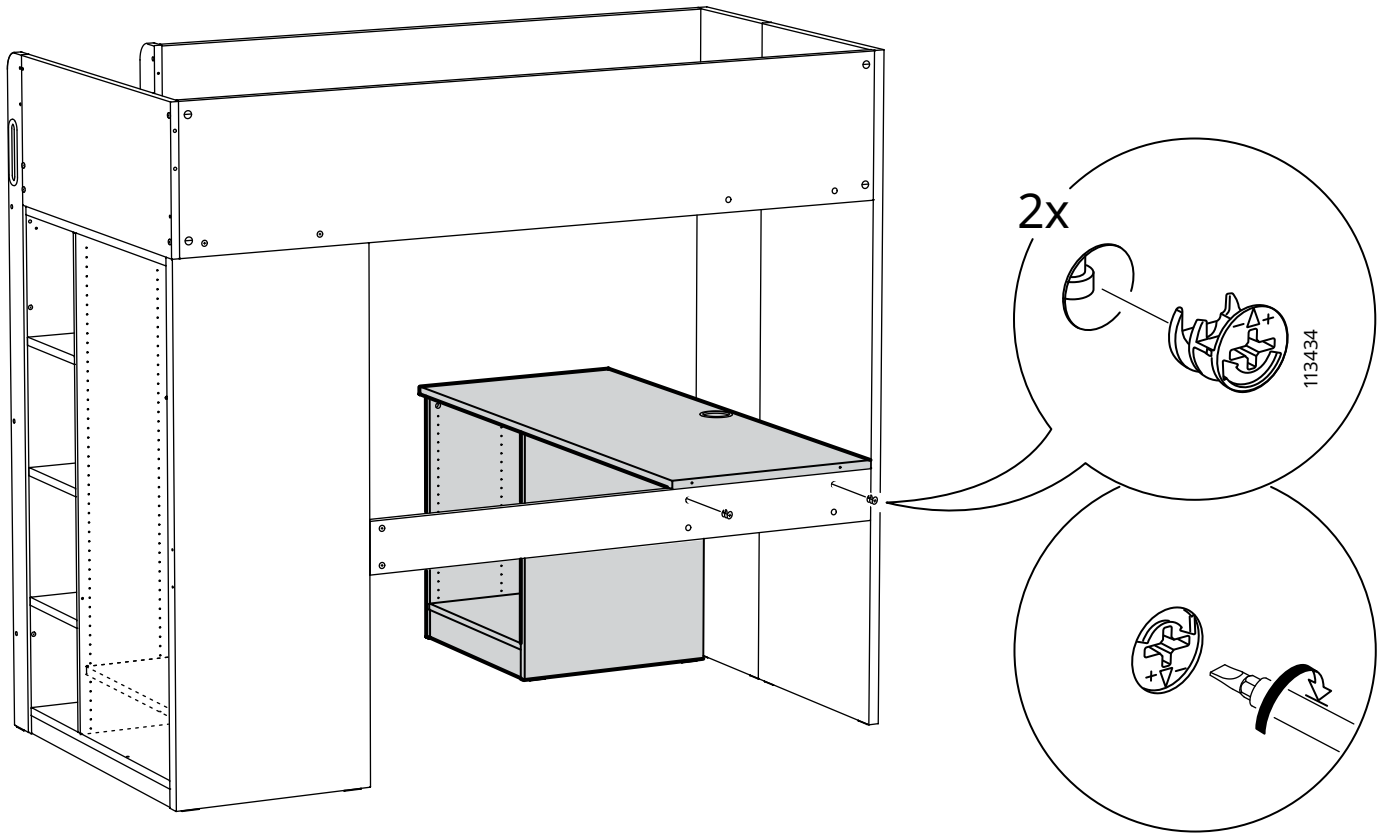
11



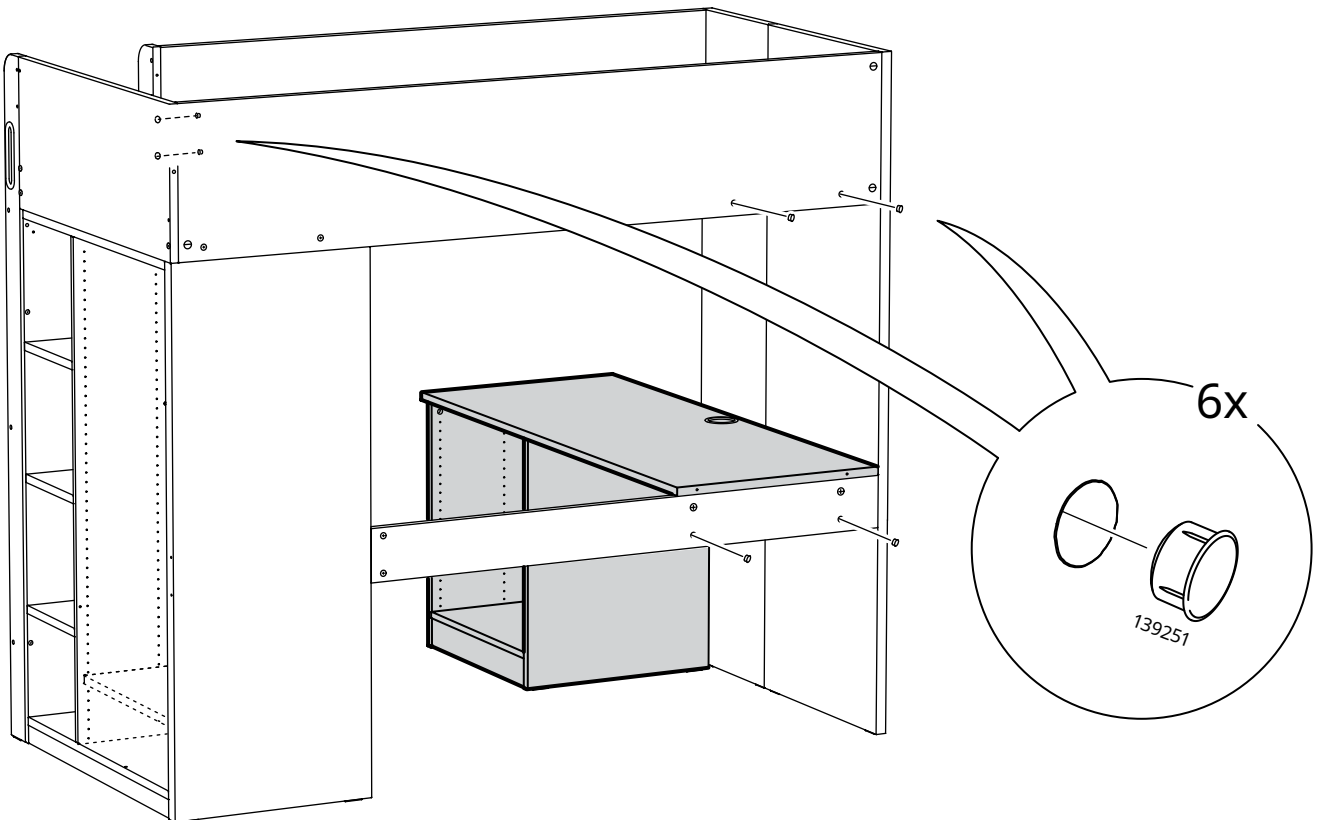
12

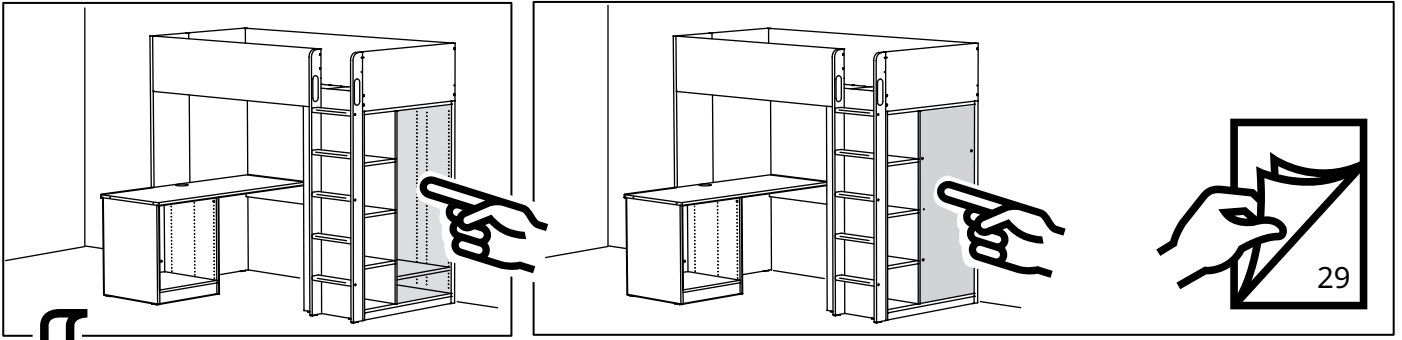


13

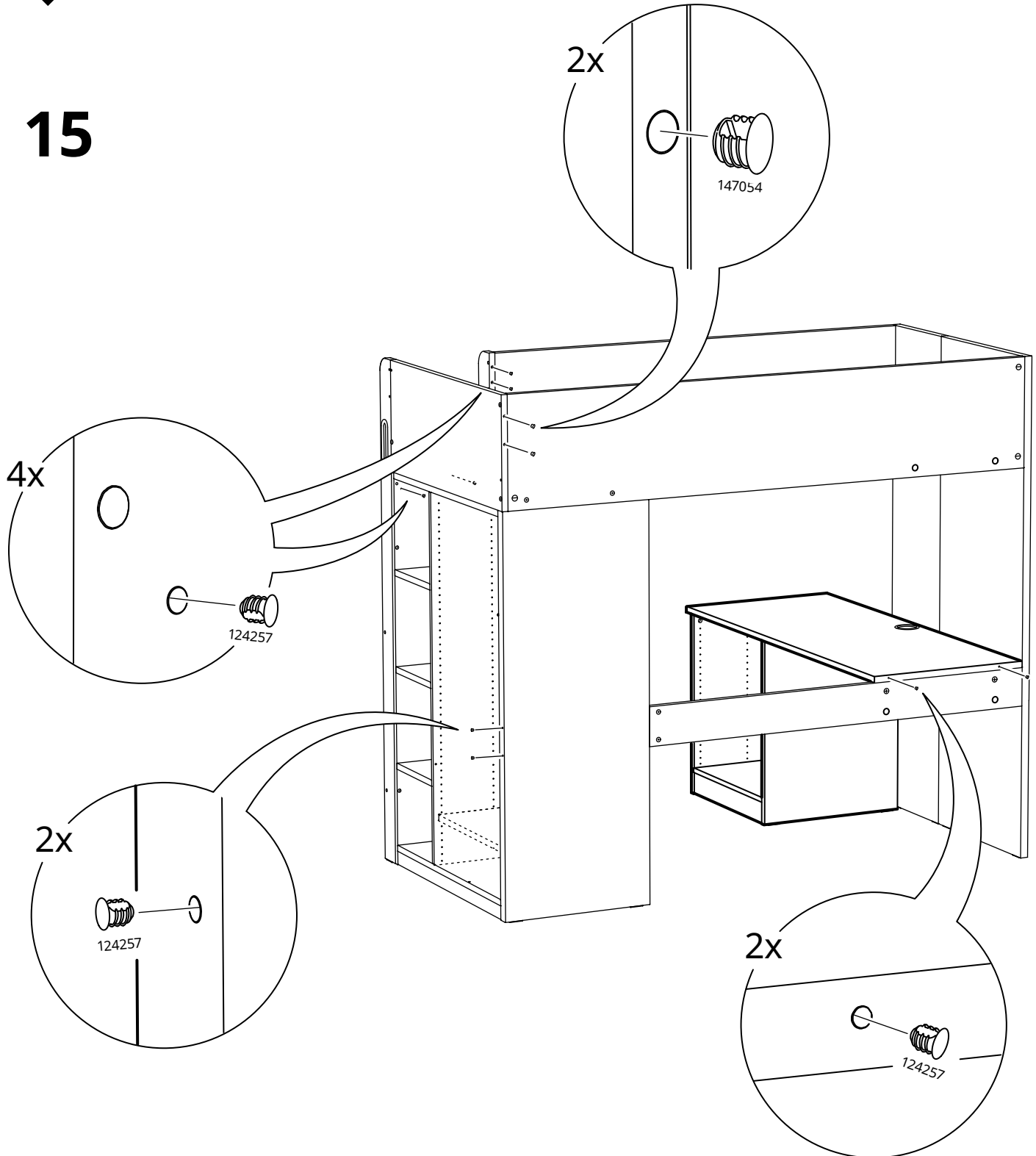


14

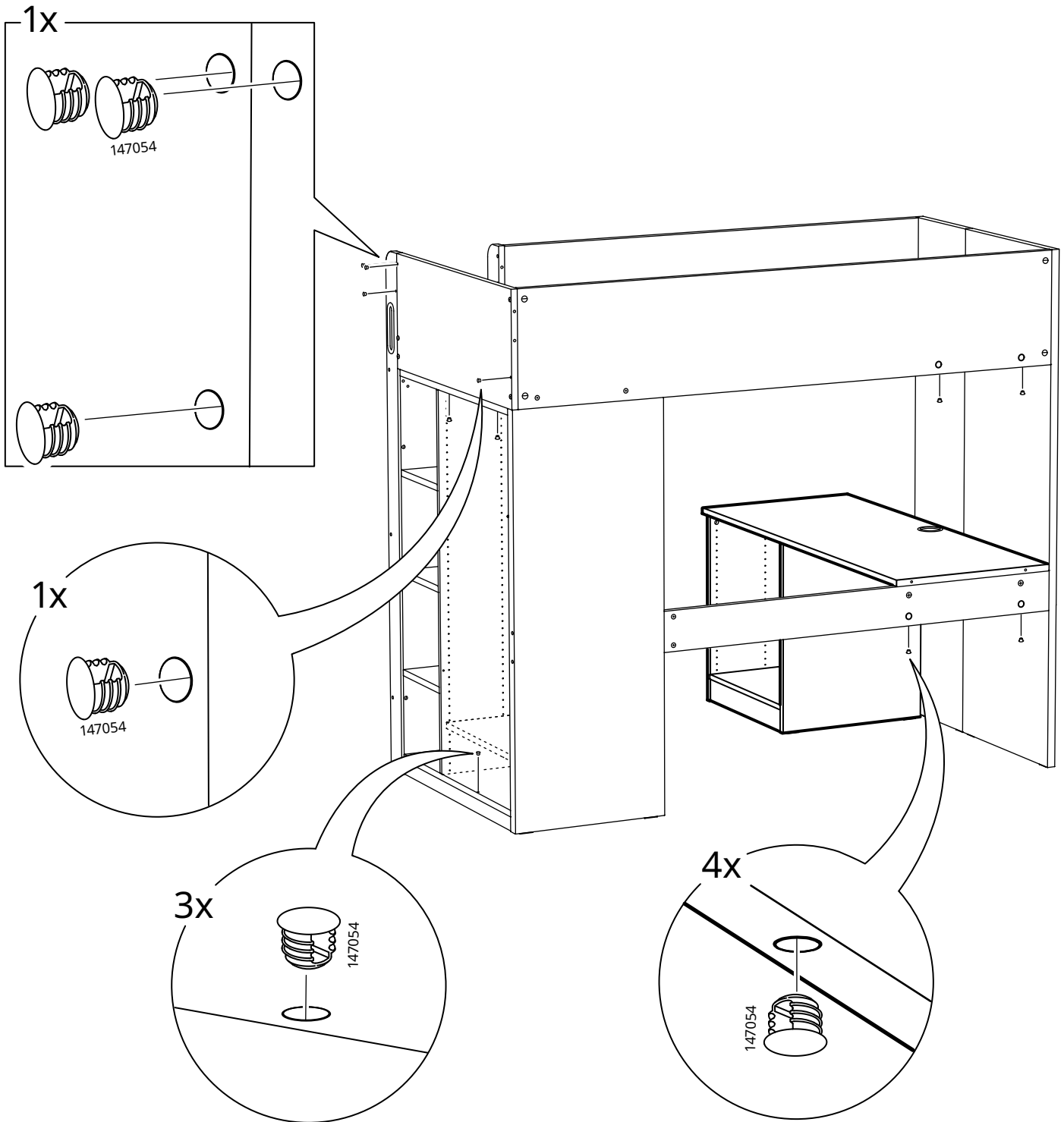




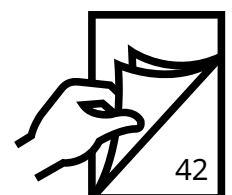
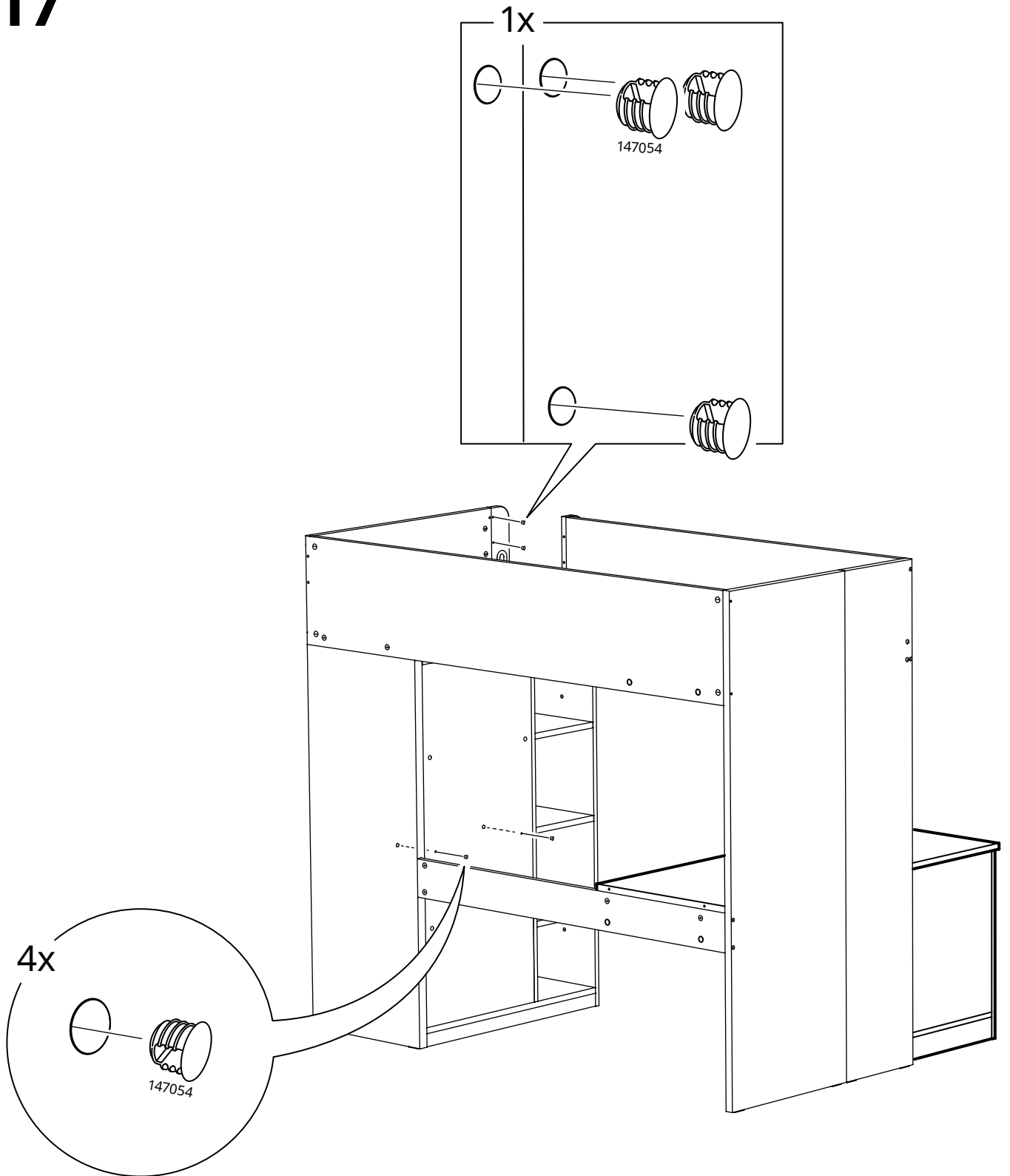
15

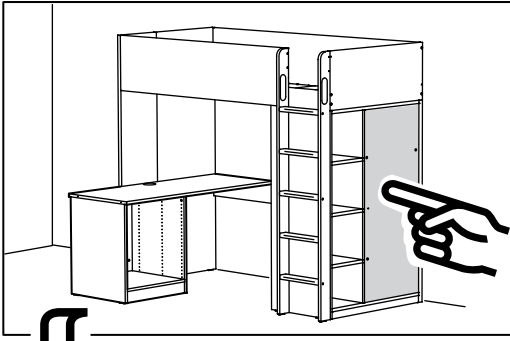


16

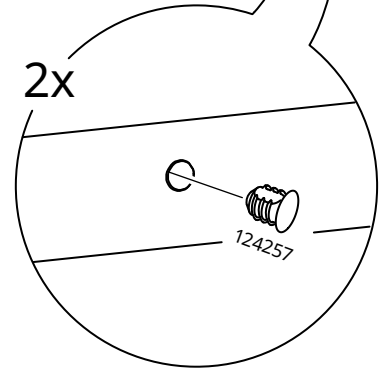
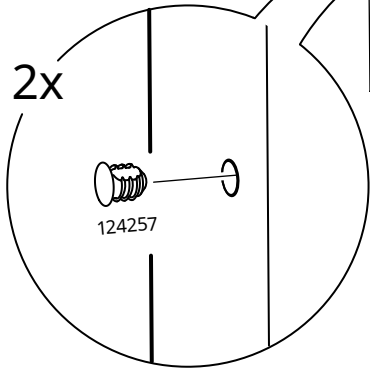
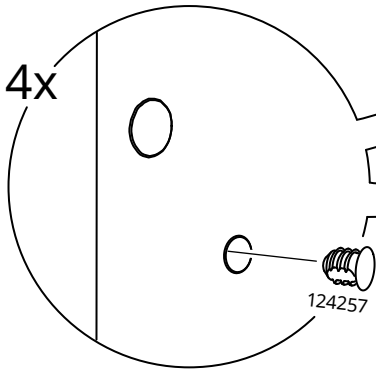
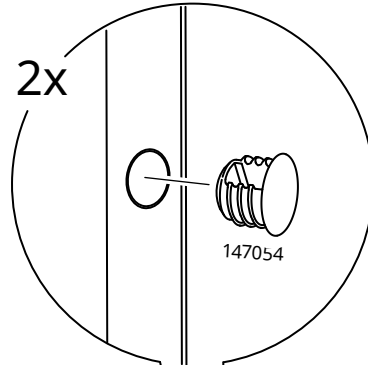


17

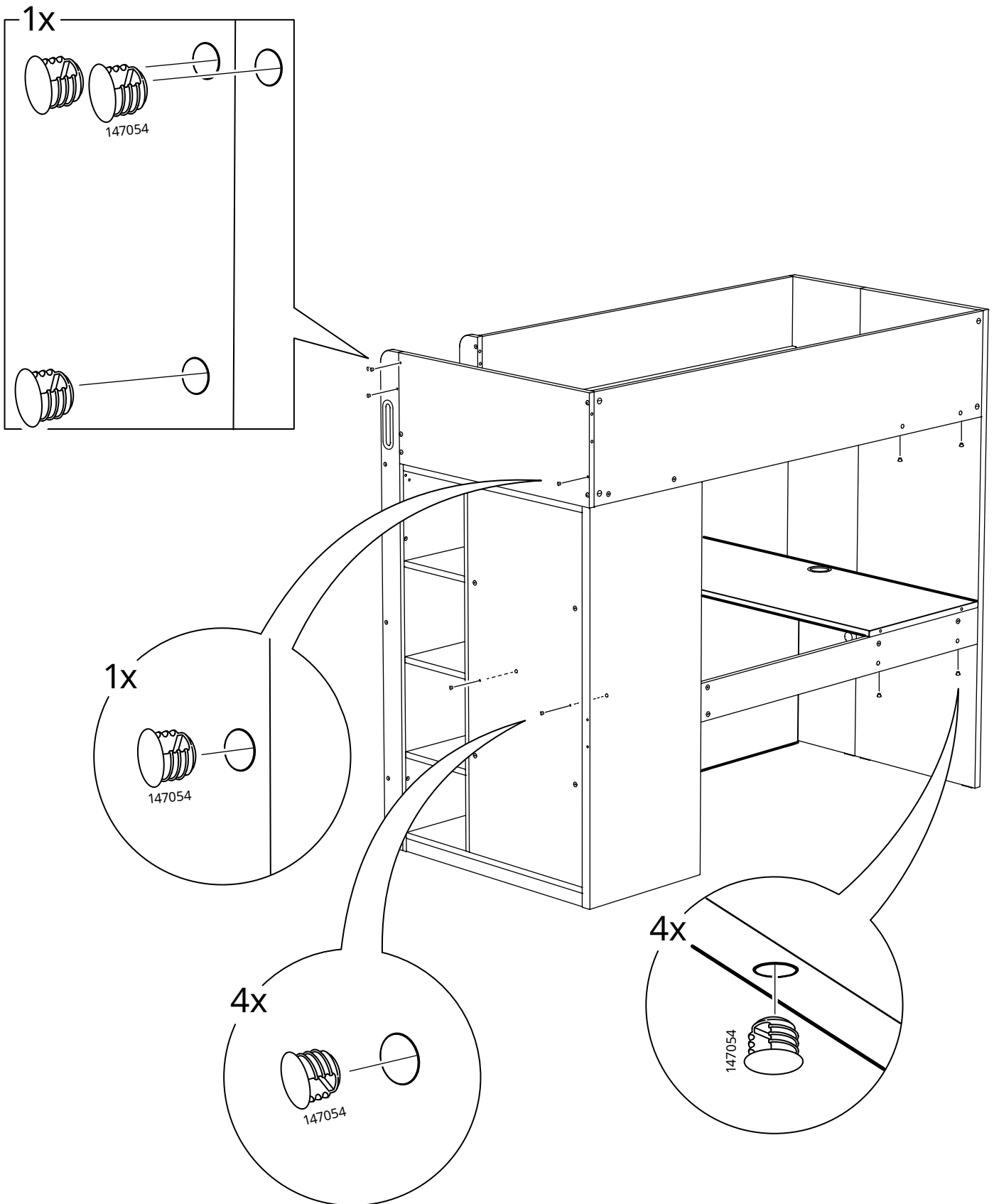




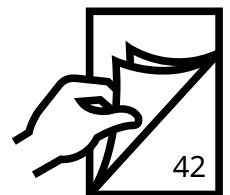
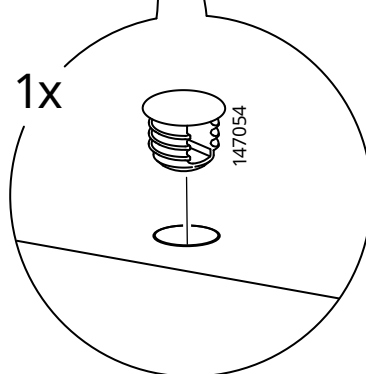
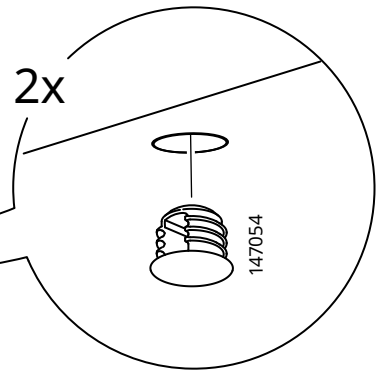
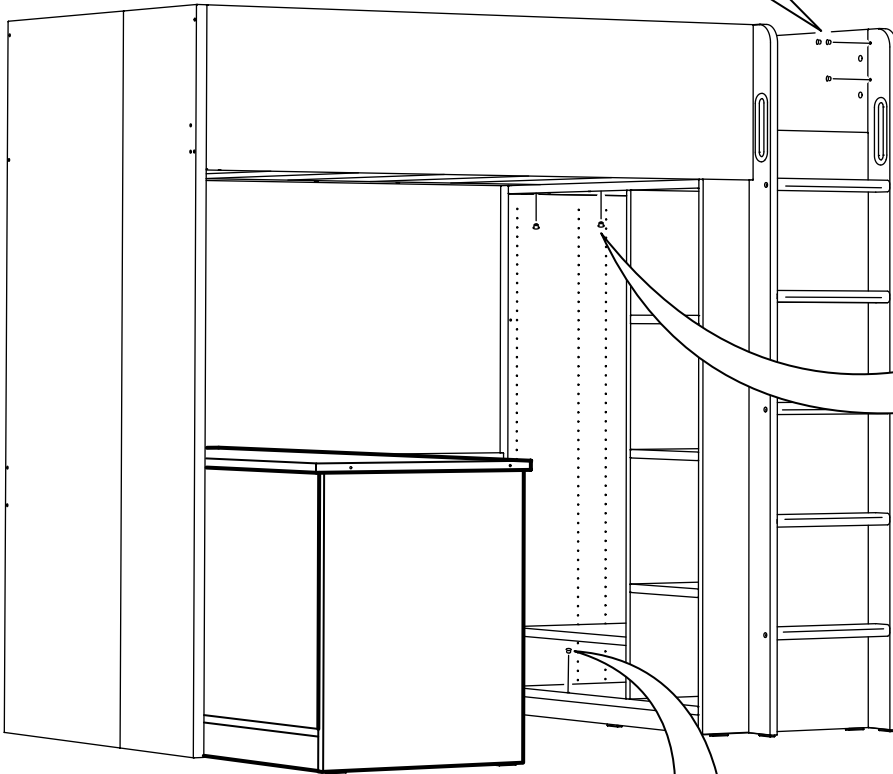
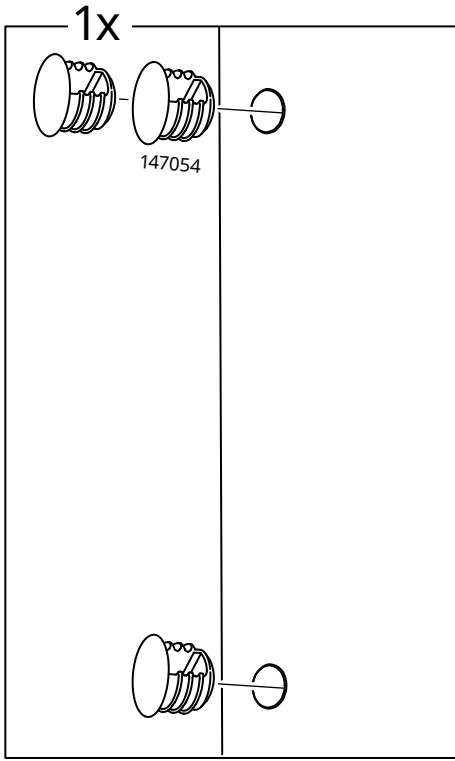
15

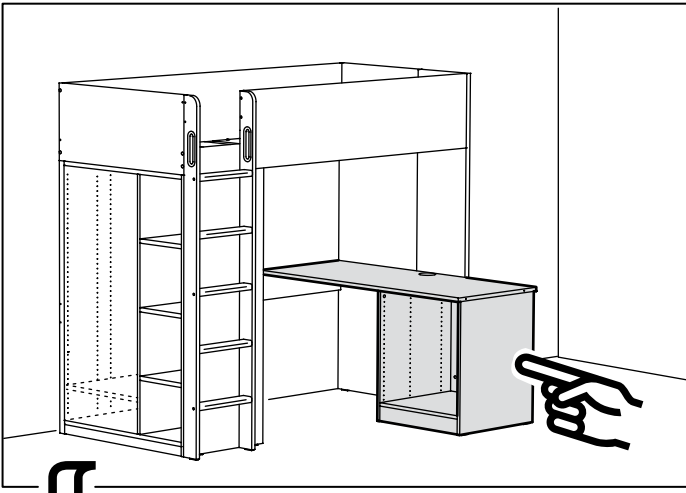


16

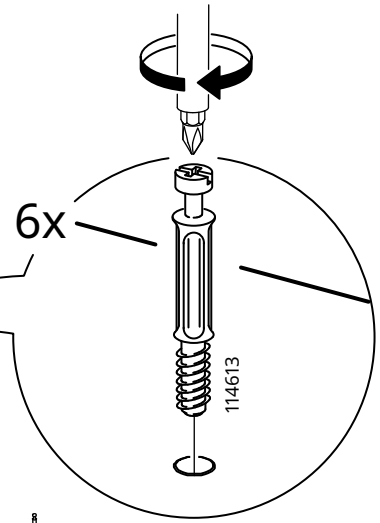
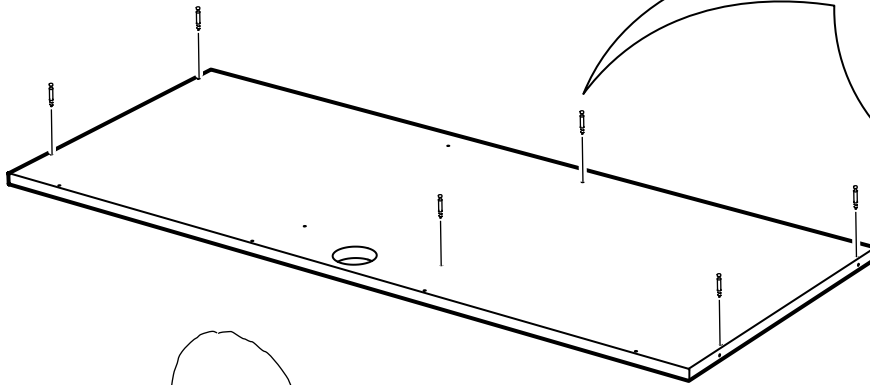


17

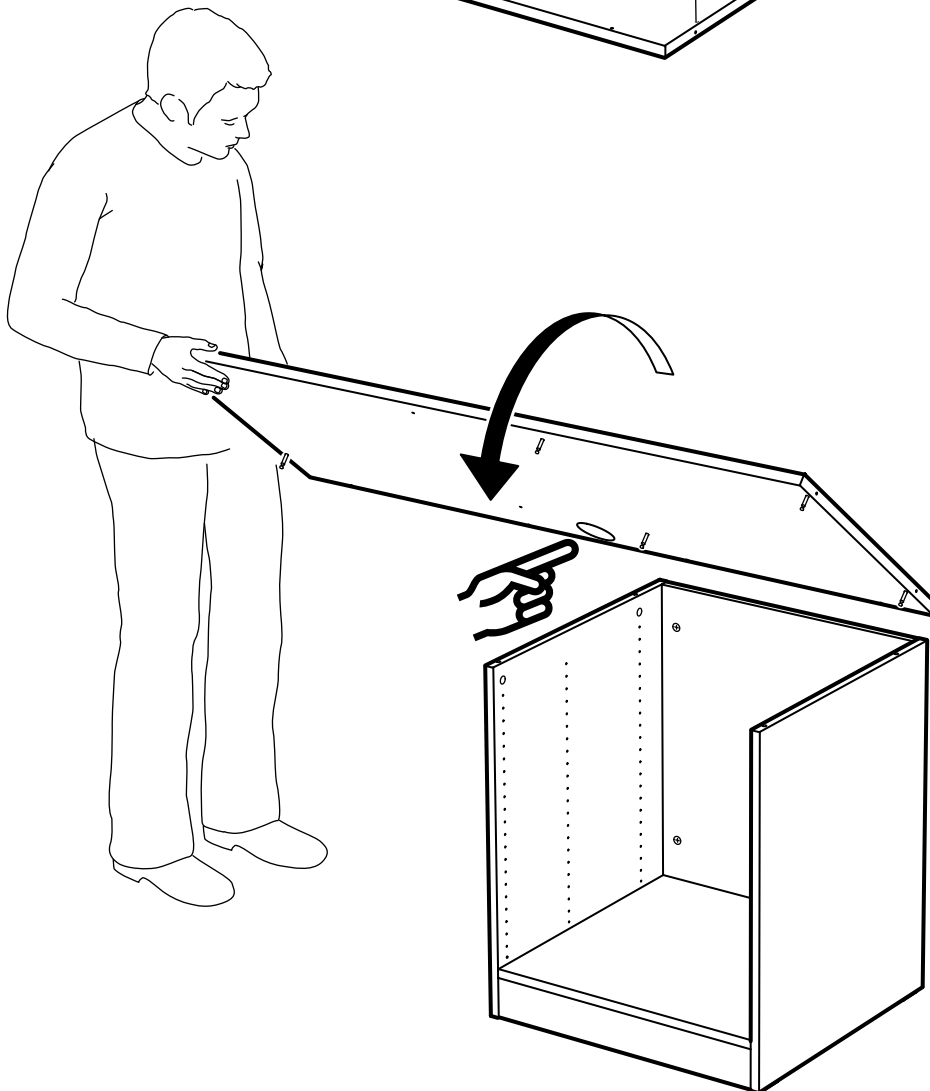




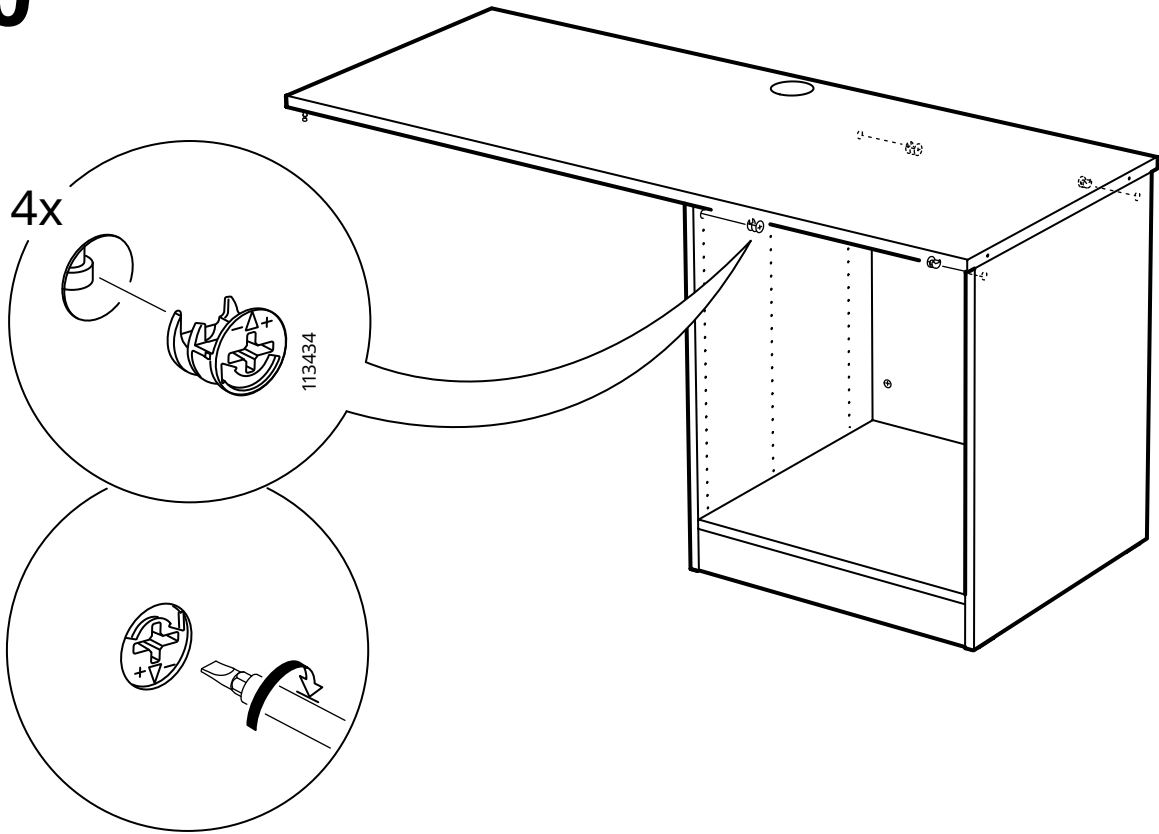
8



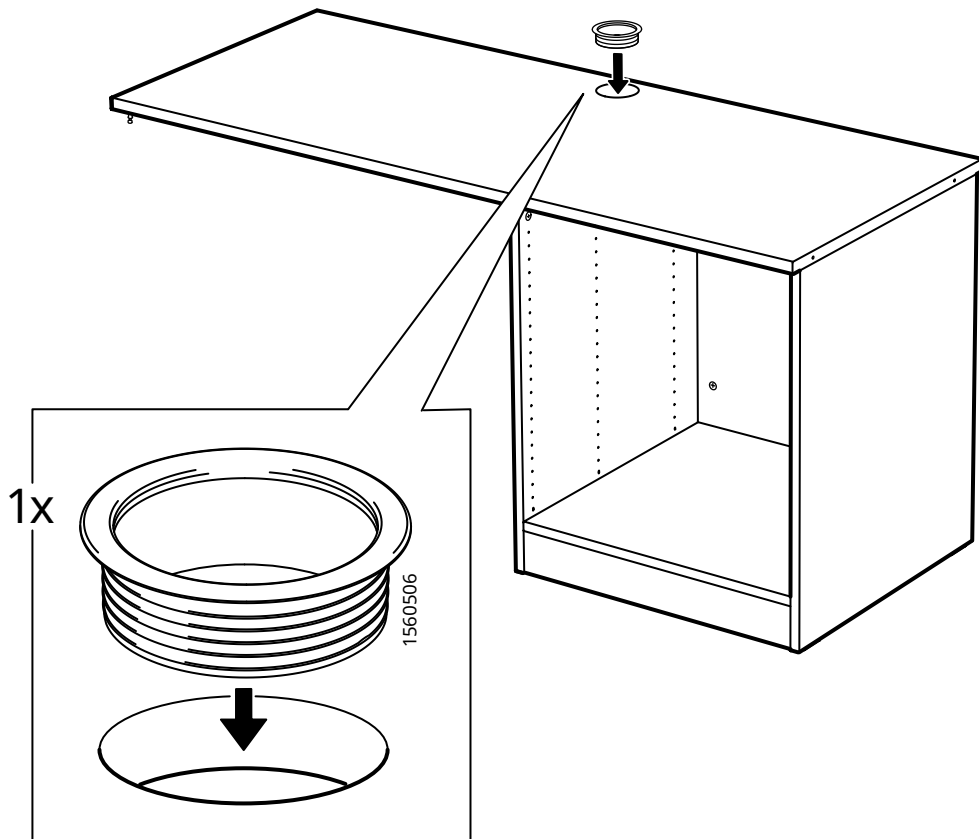
9



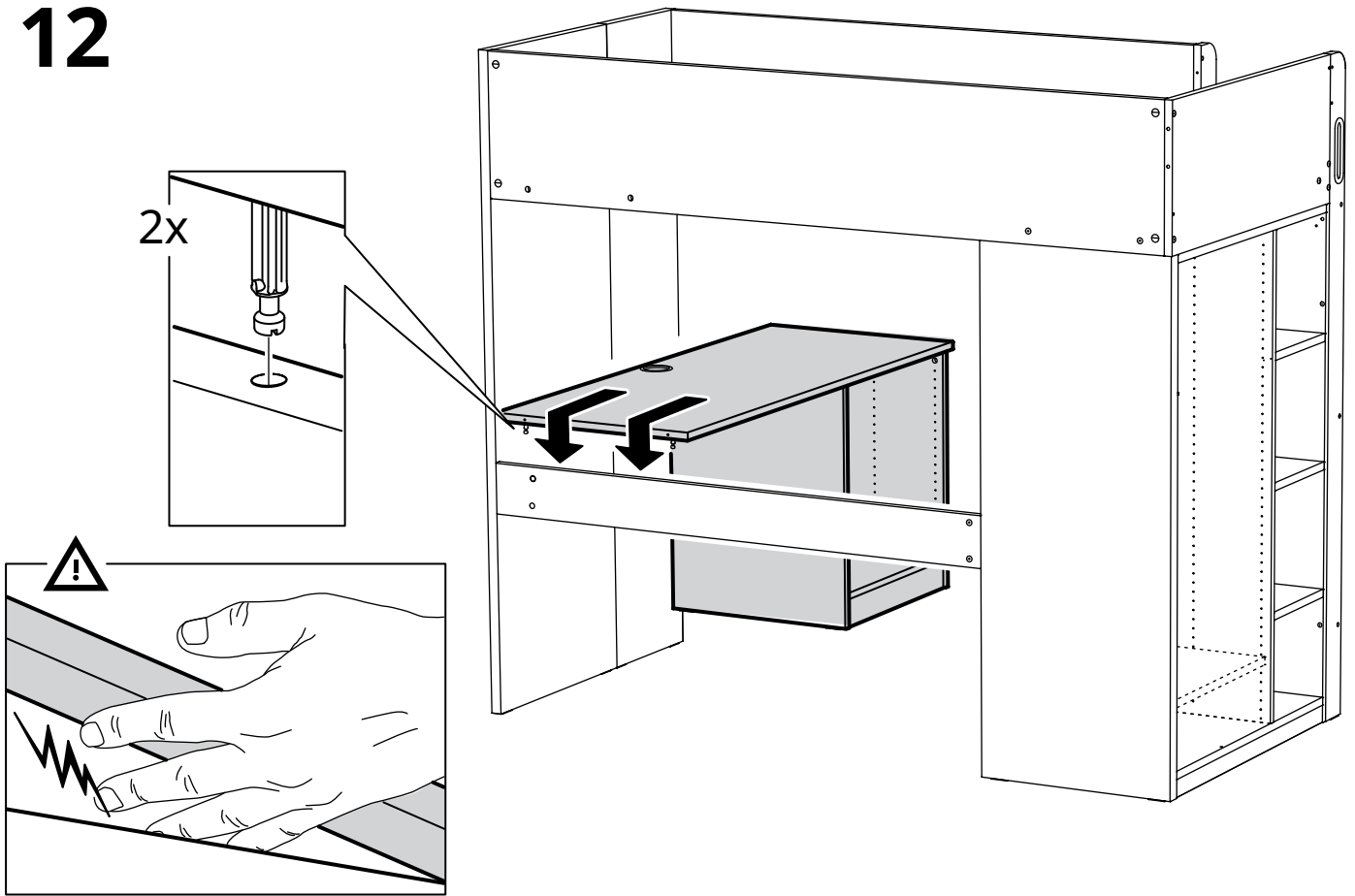
10



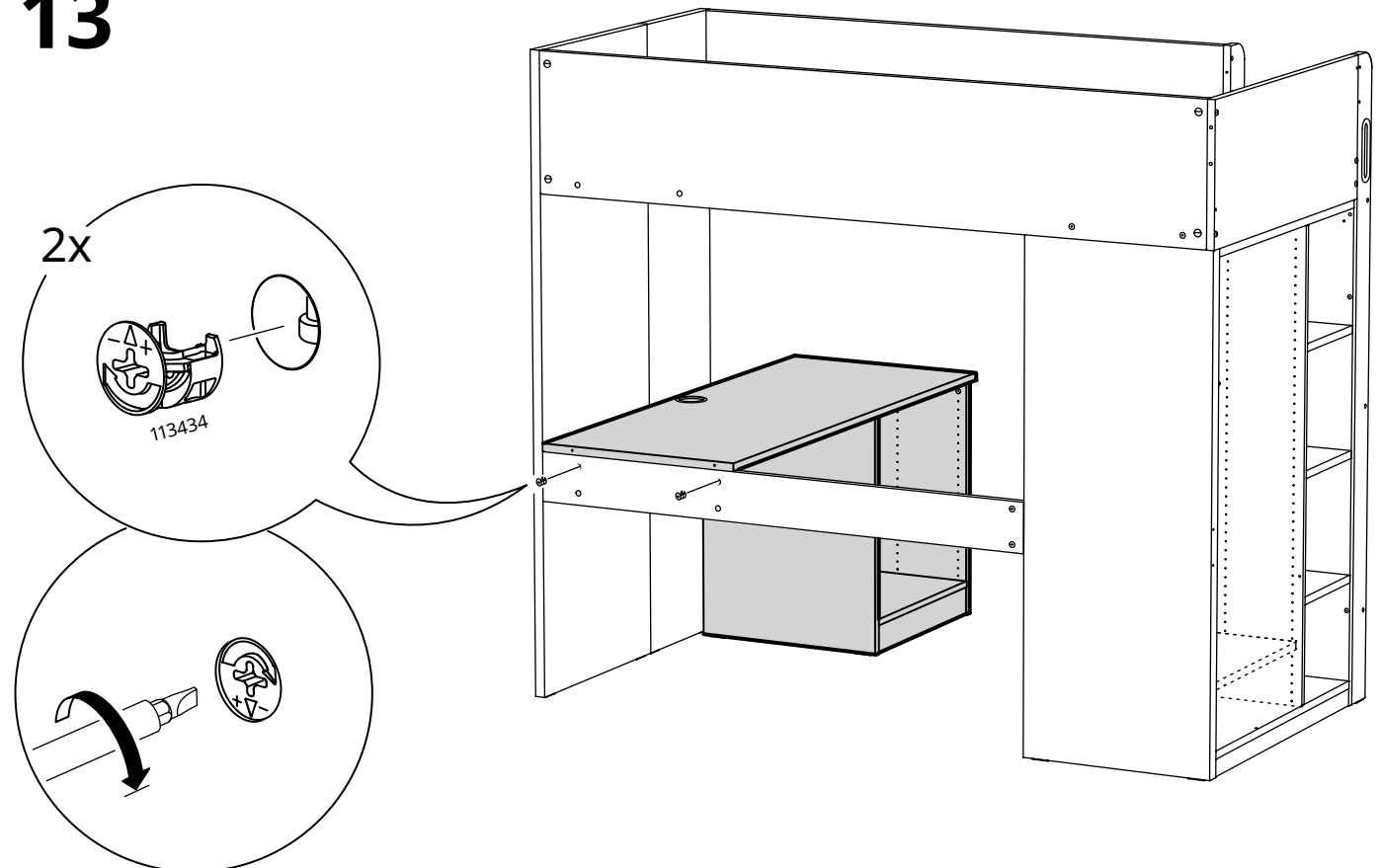
11



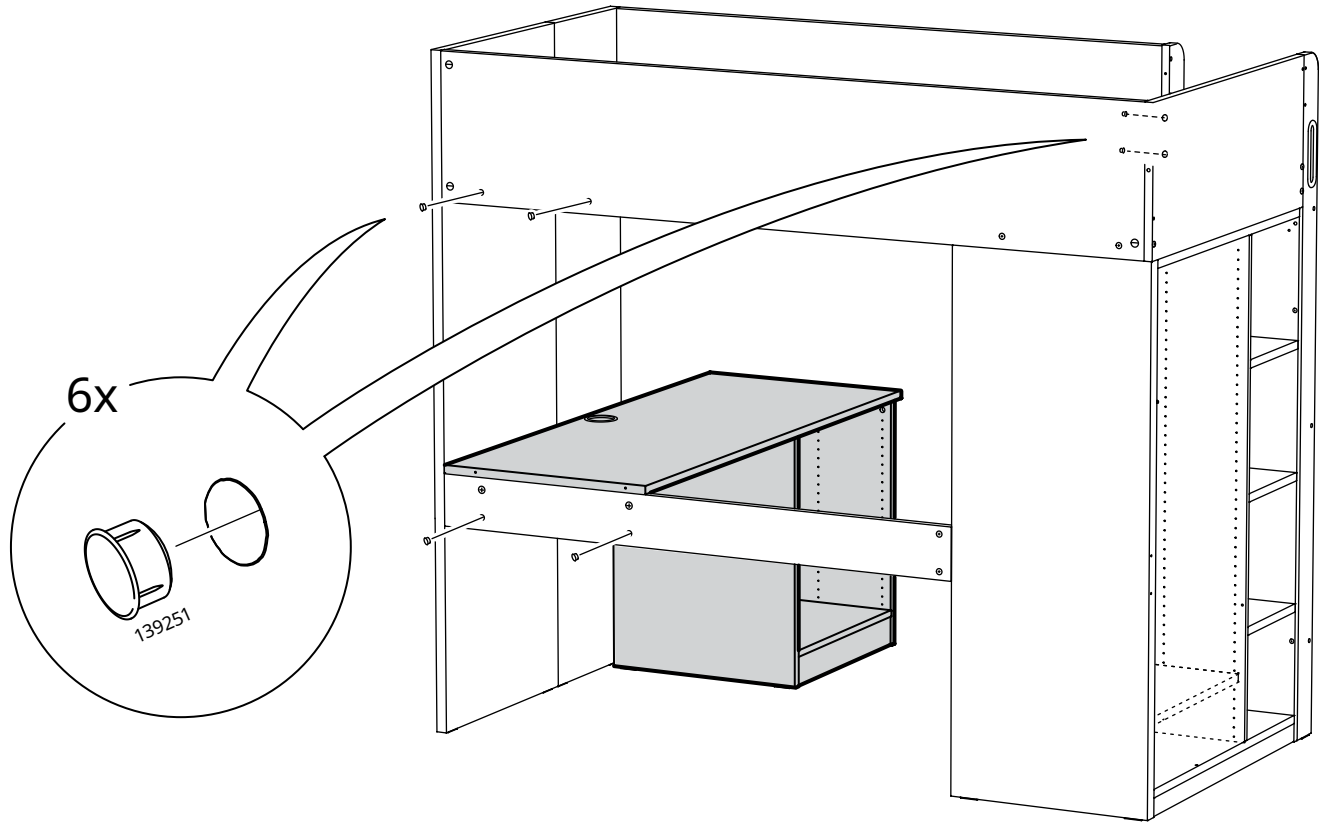
12

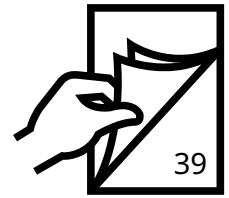
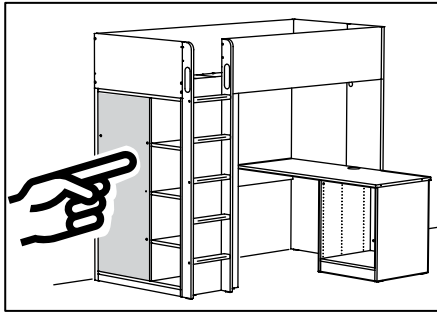
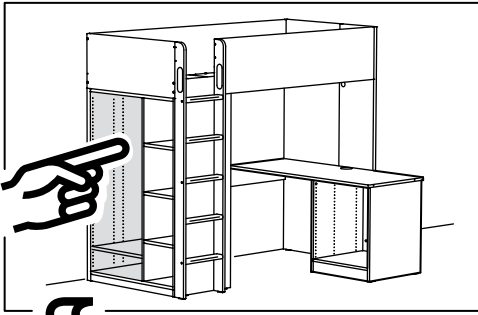


13



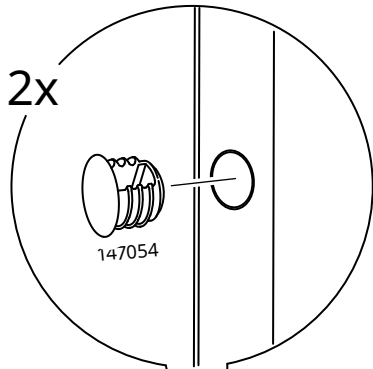
14





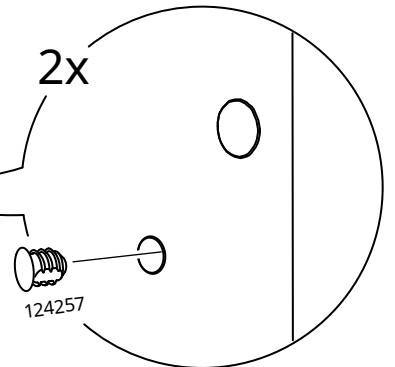
15

2x



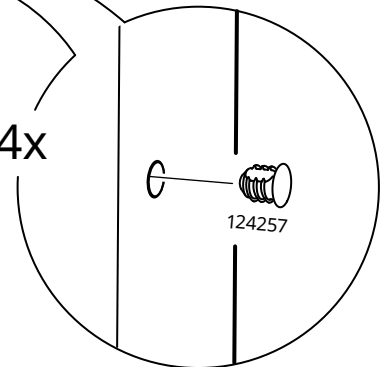
147054

2x



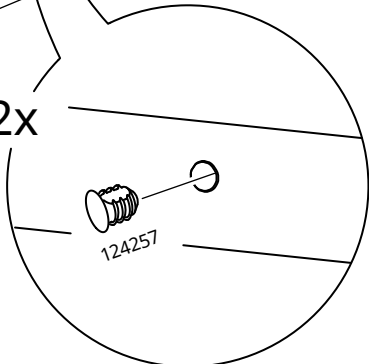
124257

4x



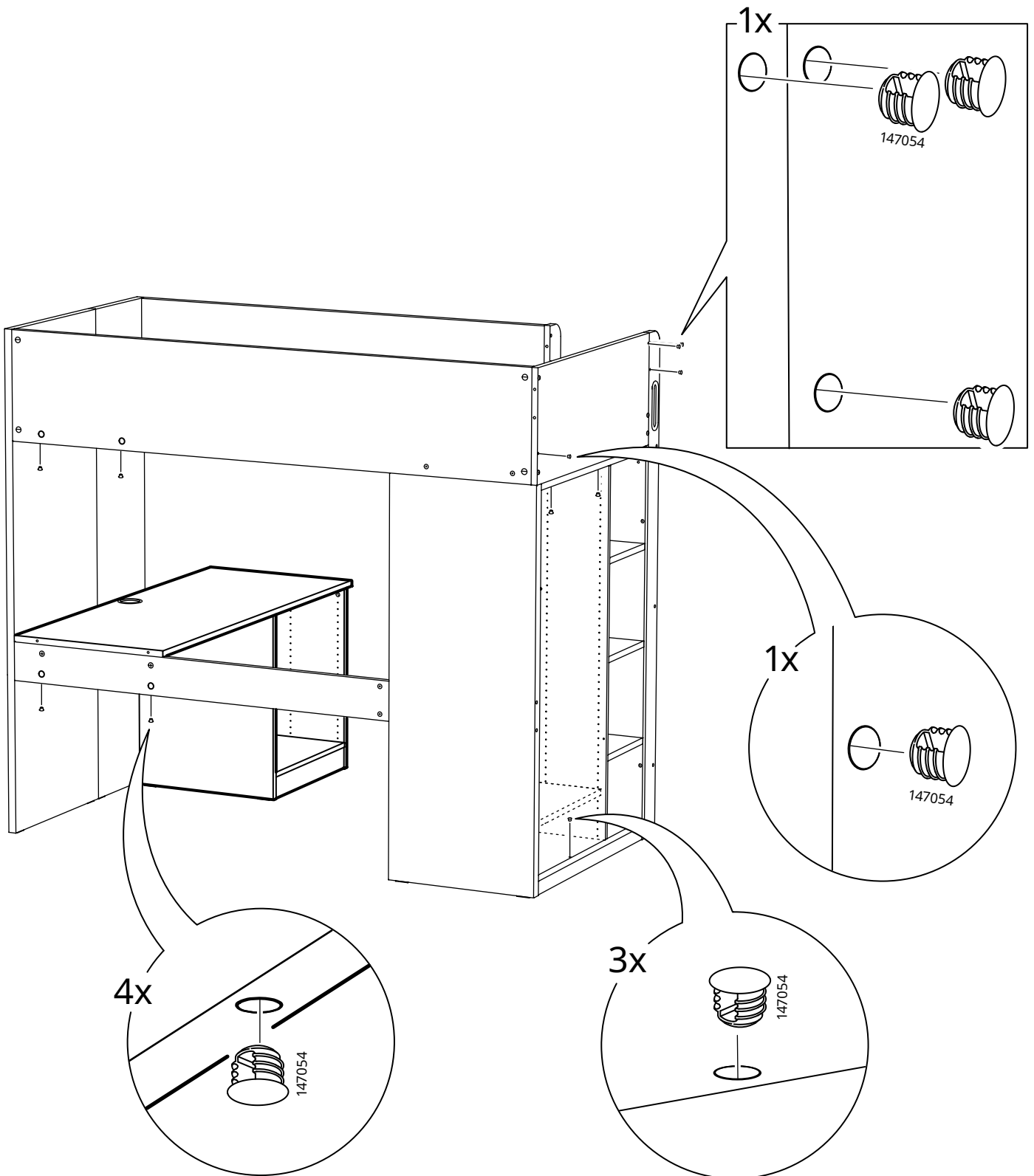
124257

2x

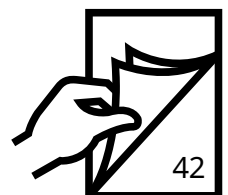
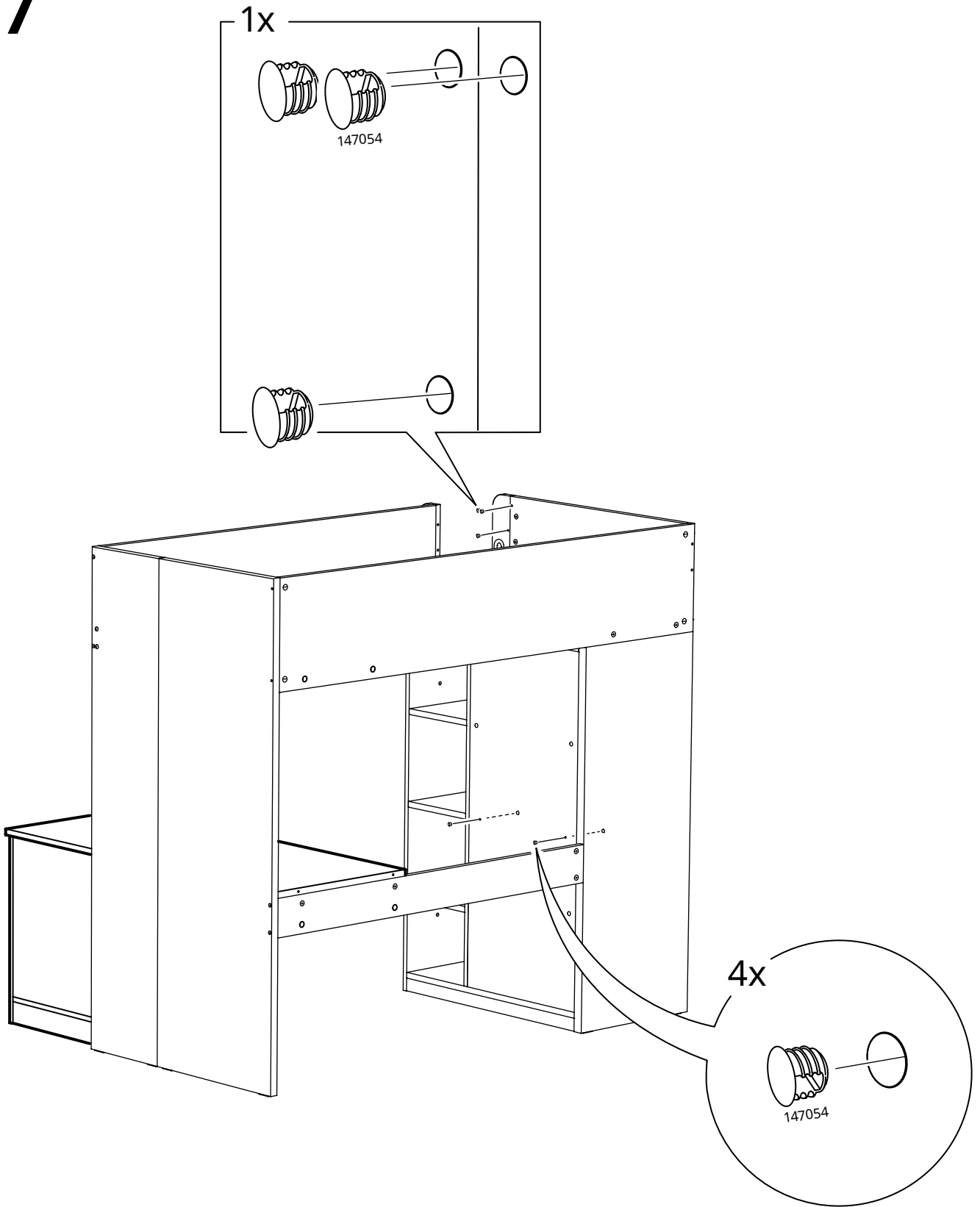


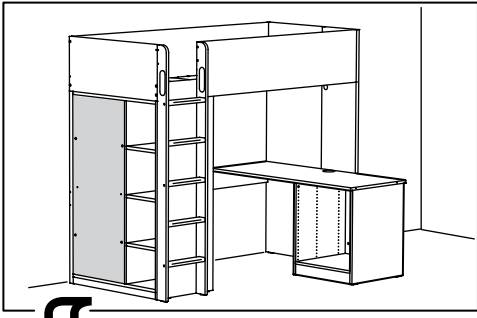
124257

16

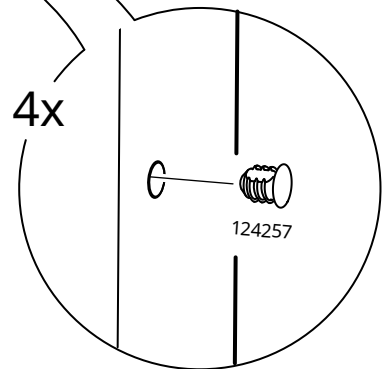
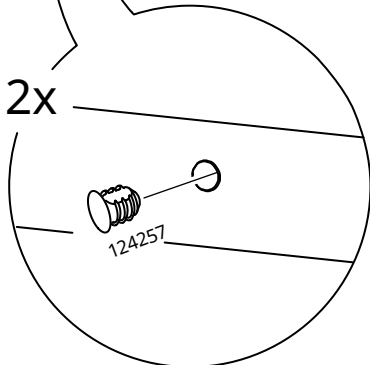
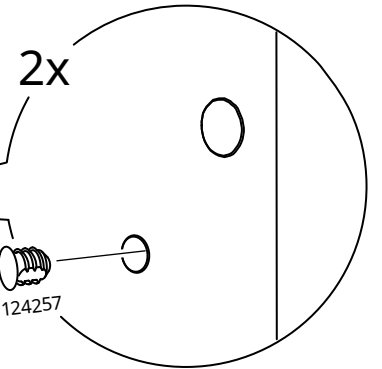
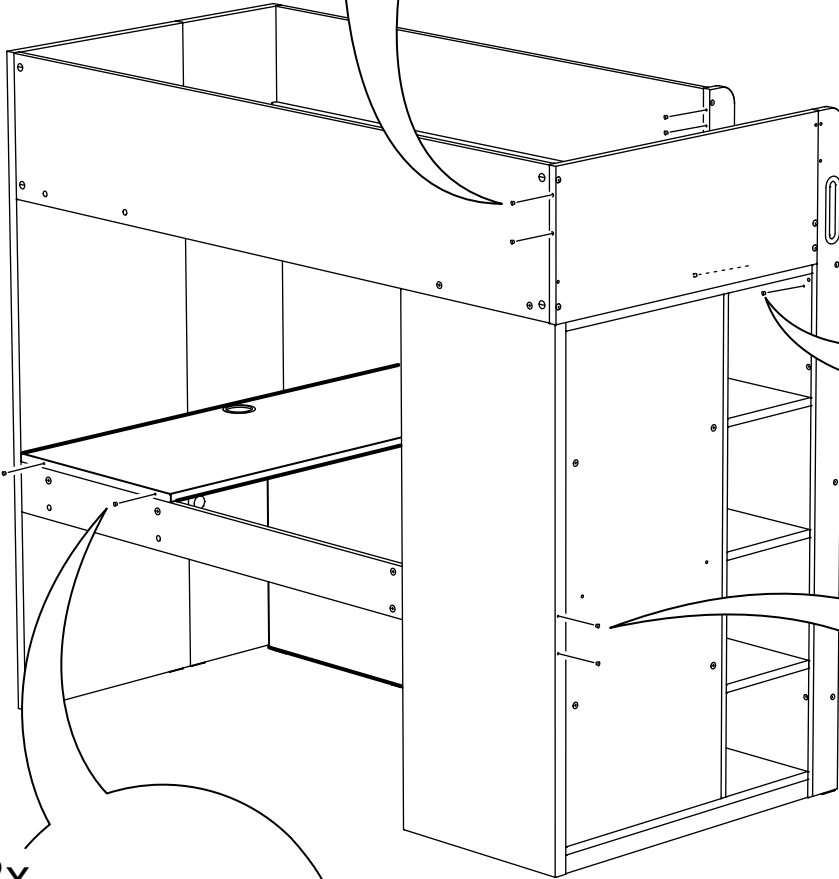
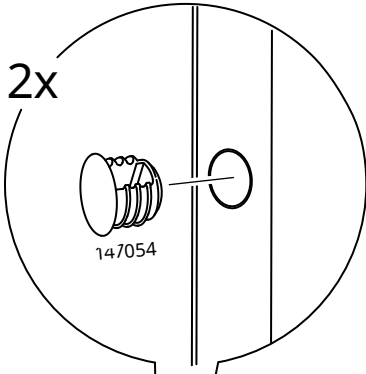


17

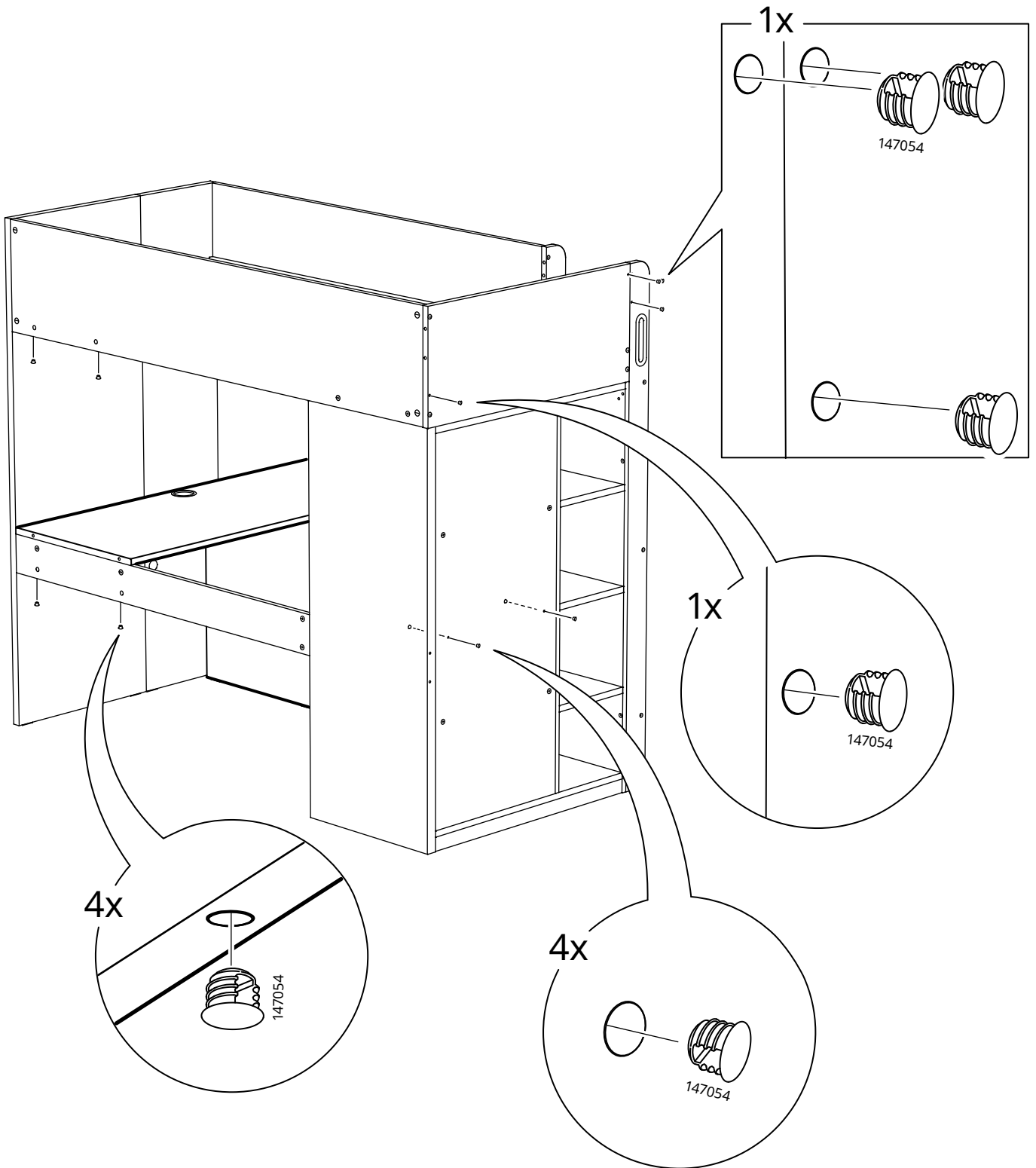




15



16



17

