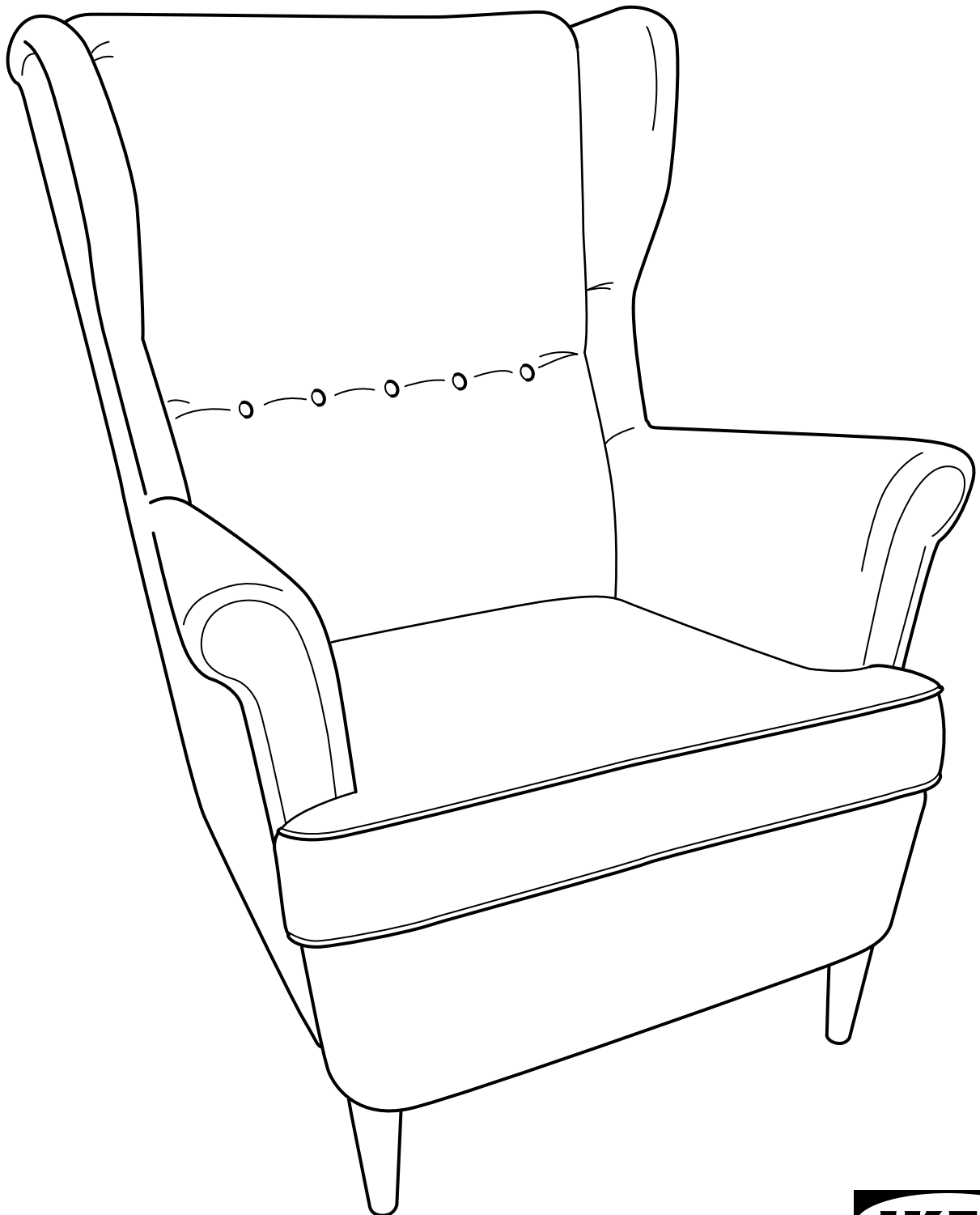
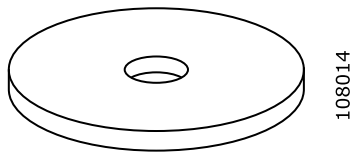
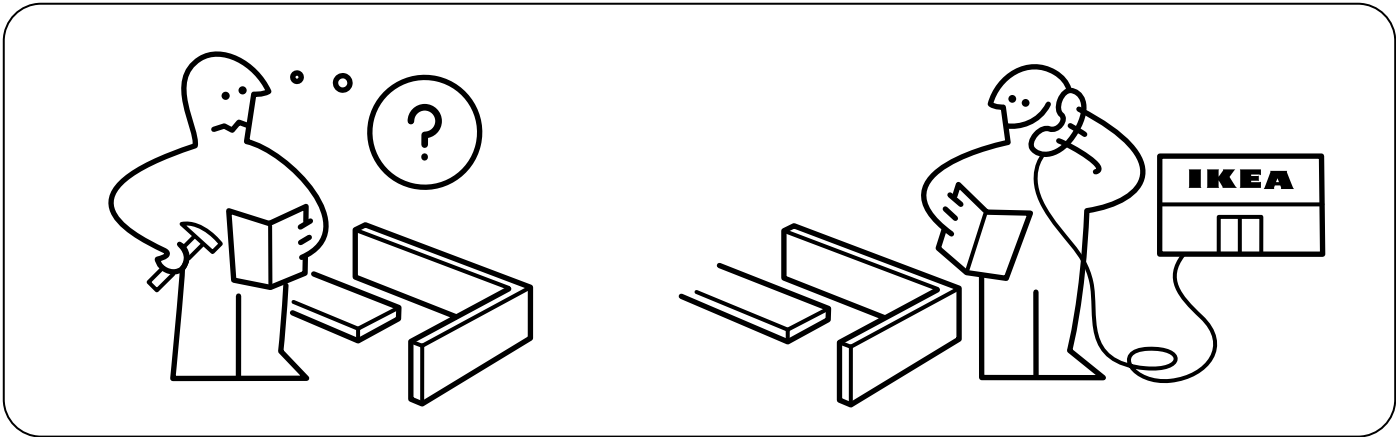
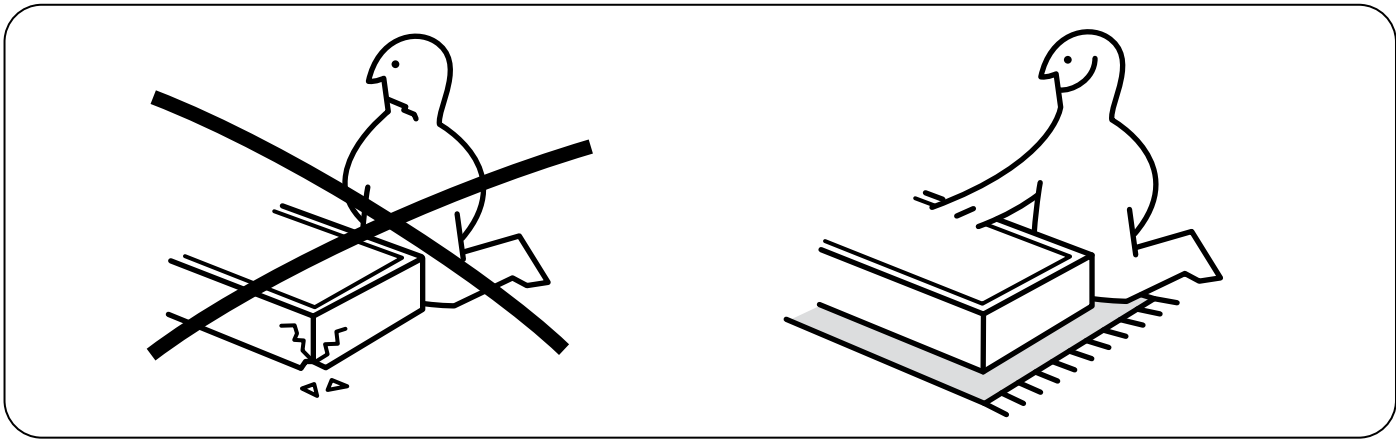


STRANDMON

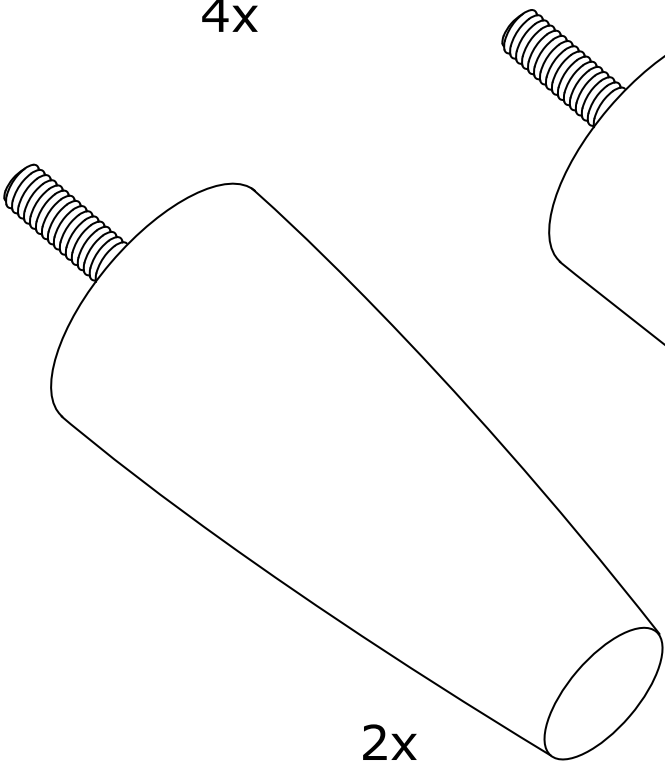


Design and Quality
IKEA of Sweden



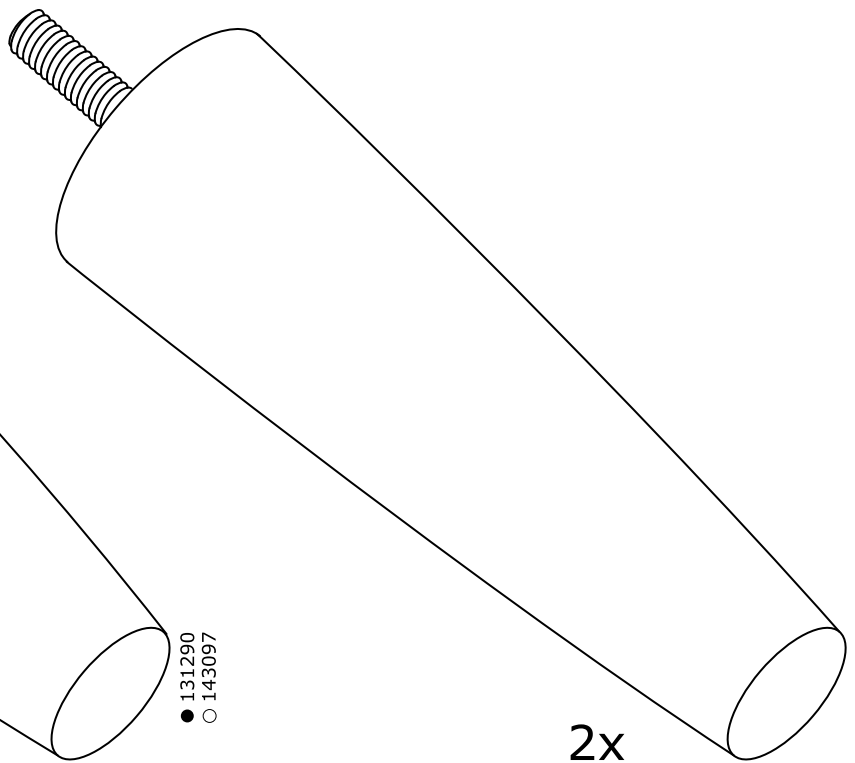
108014

4x



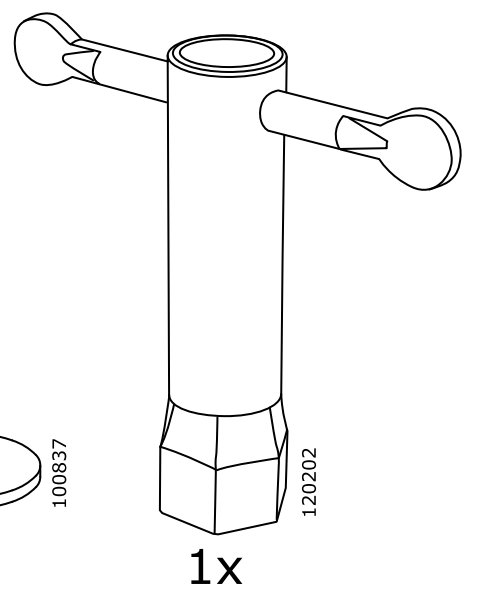
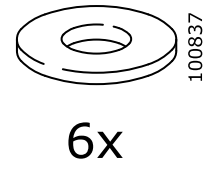
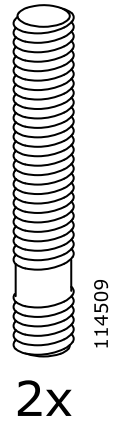
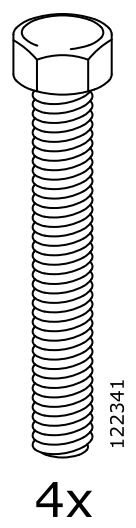
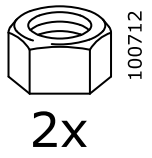
2x

● 131290
○ 143097

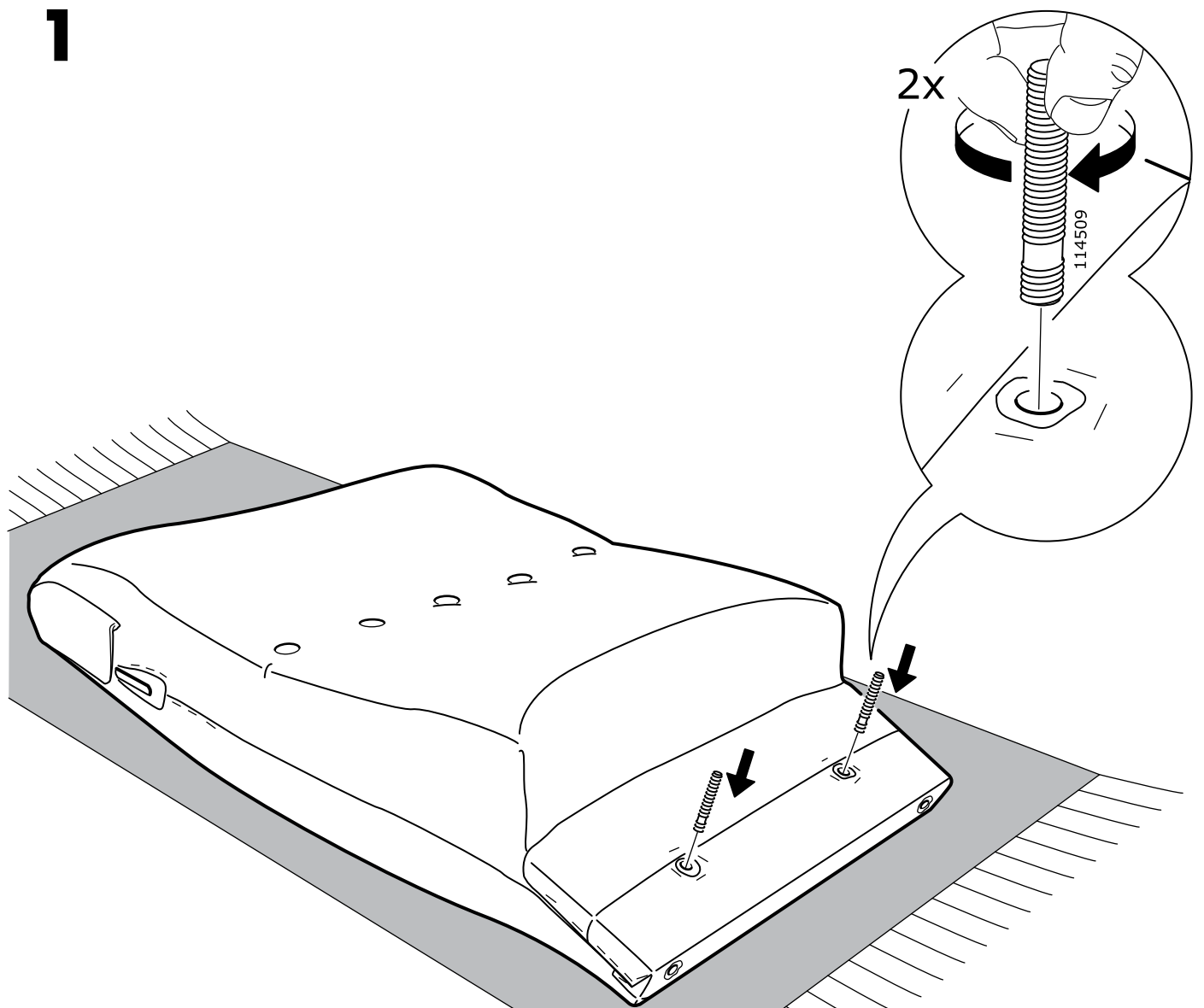


2x

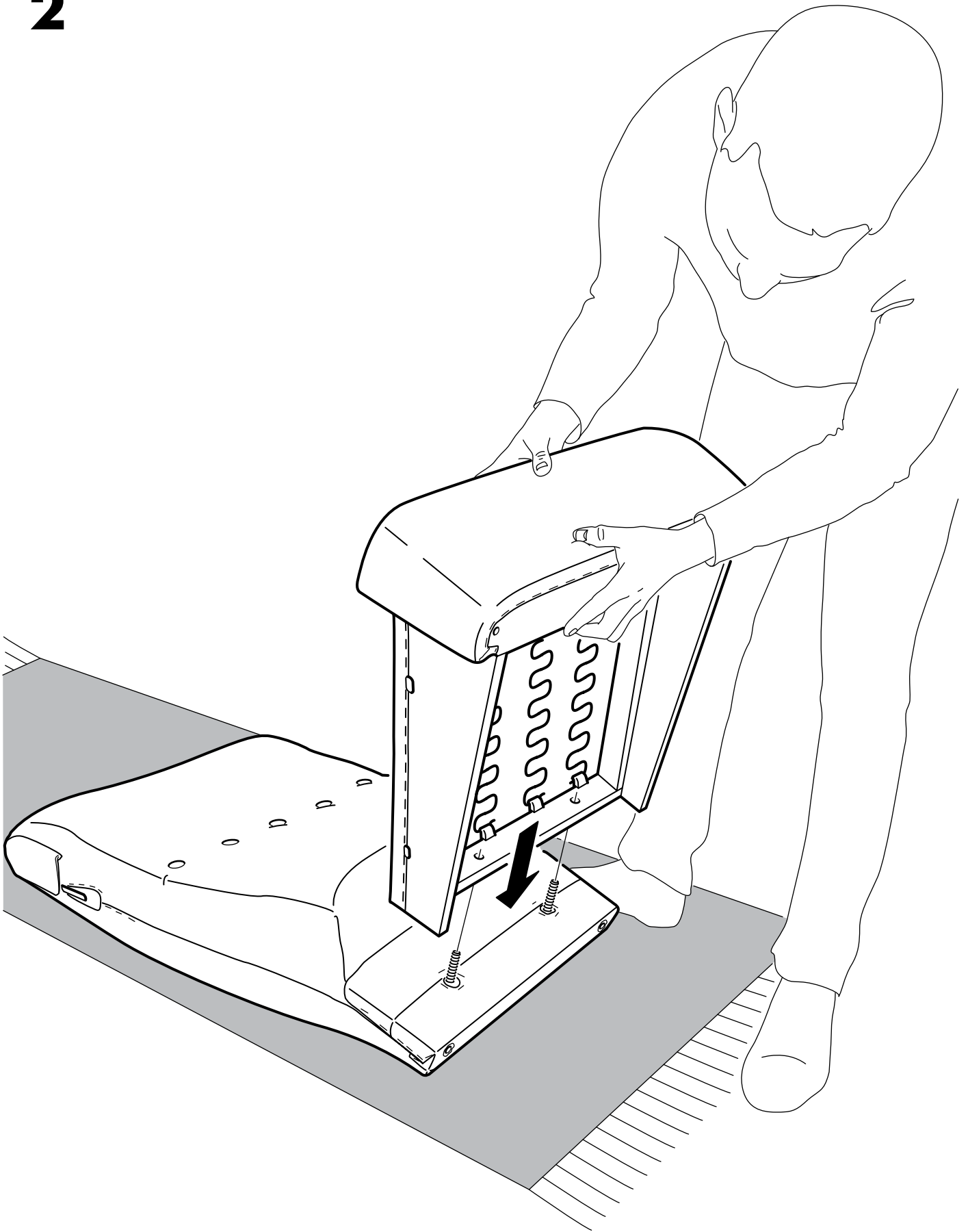
● 131289
○ 143098



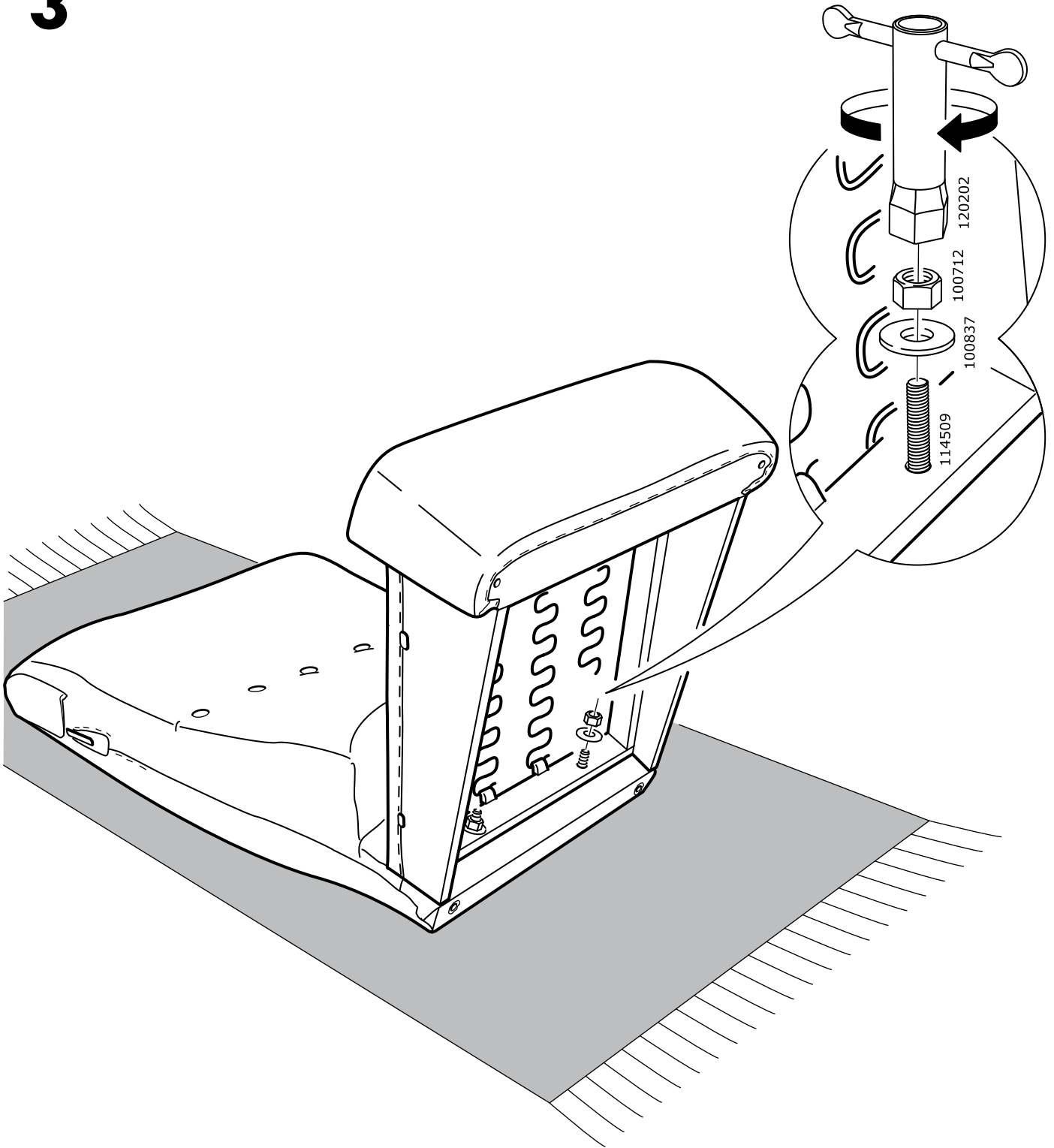
1



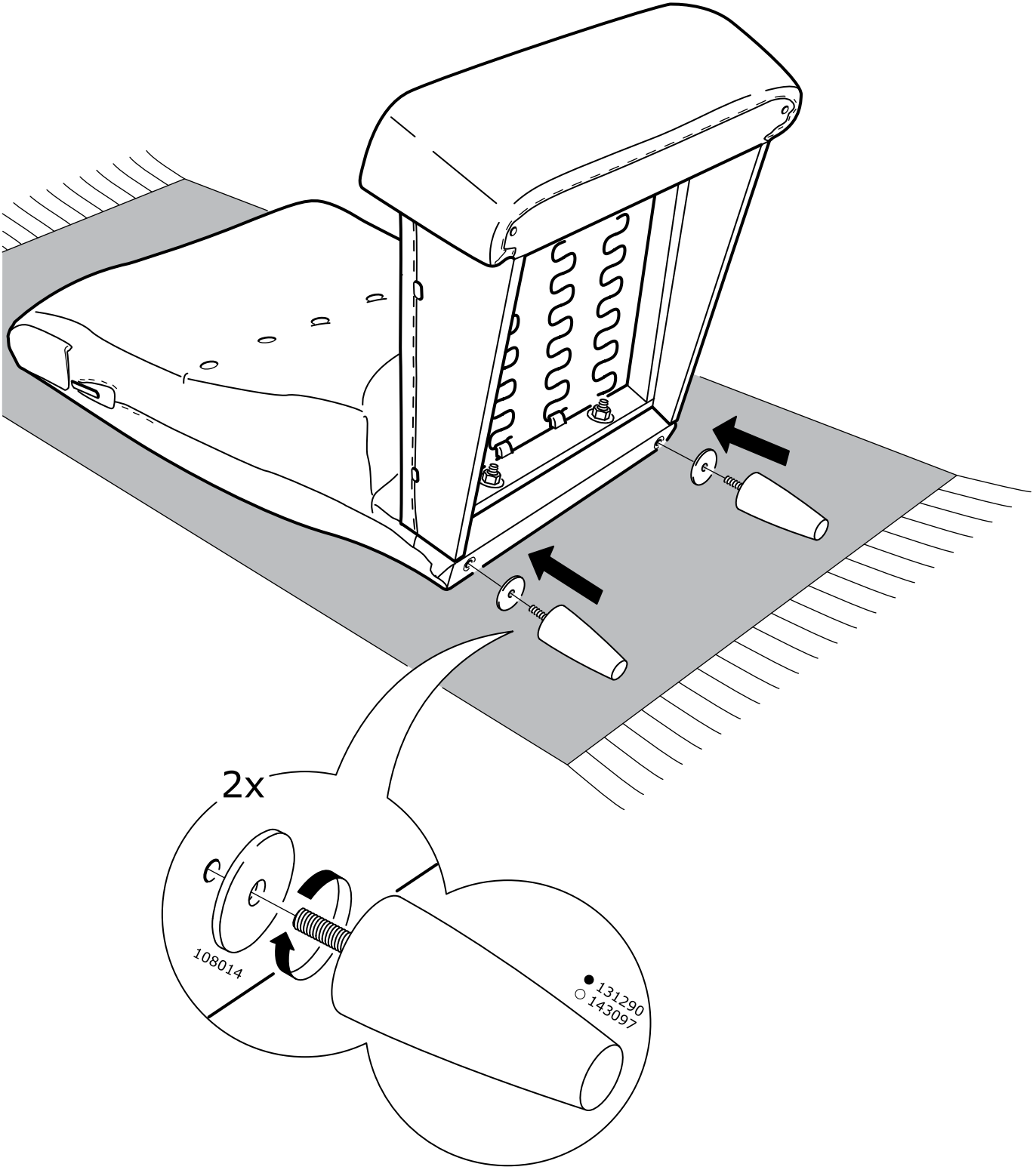
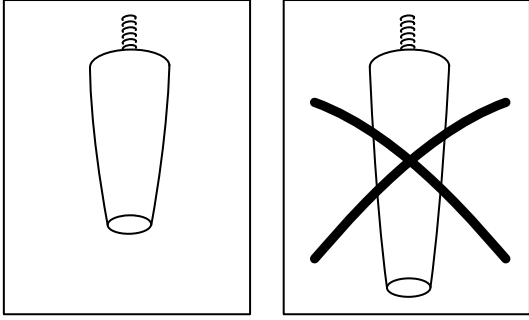
2



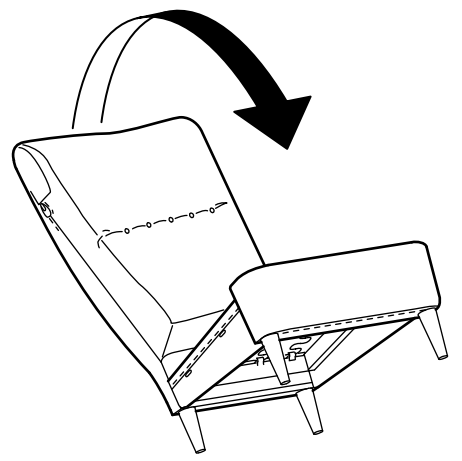
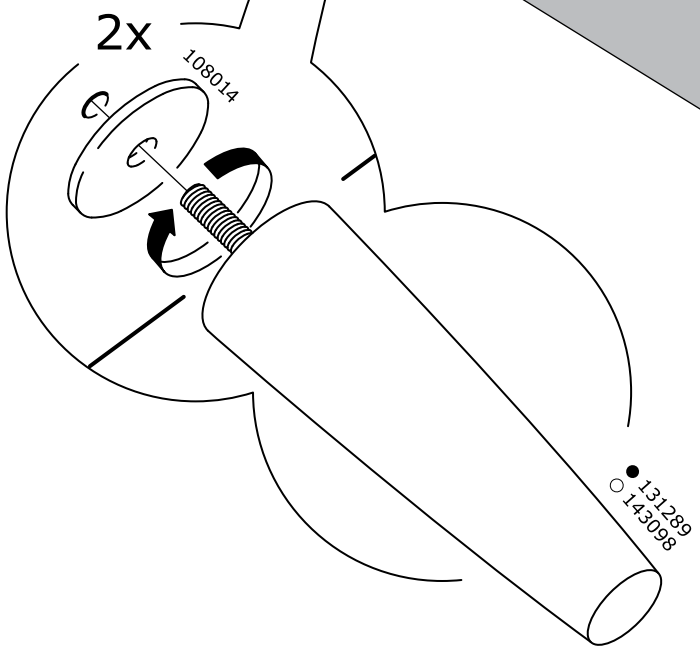
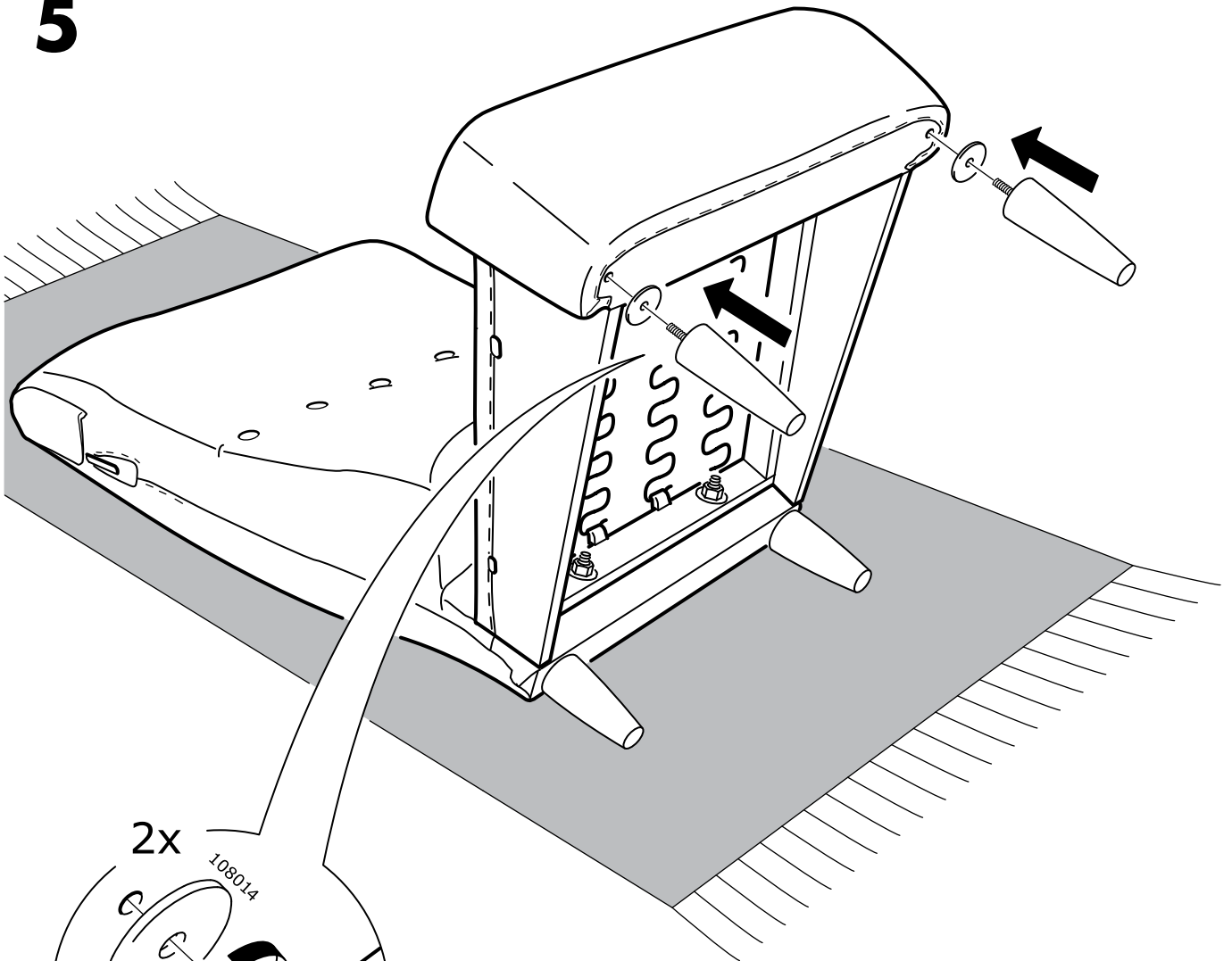
3



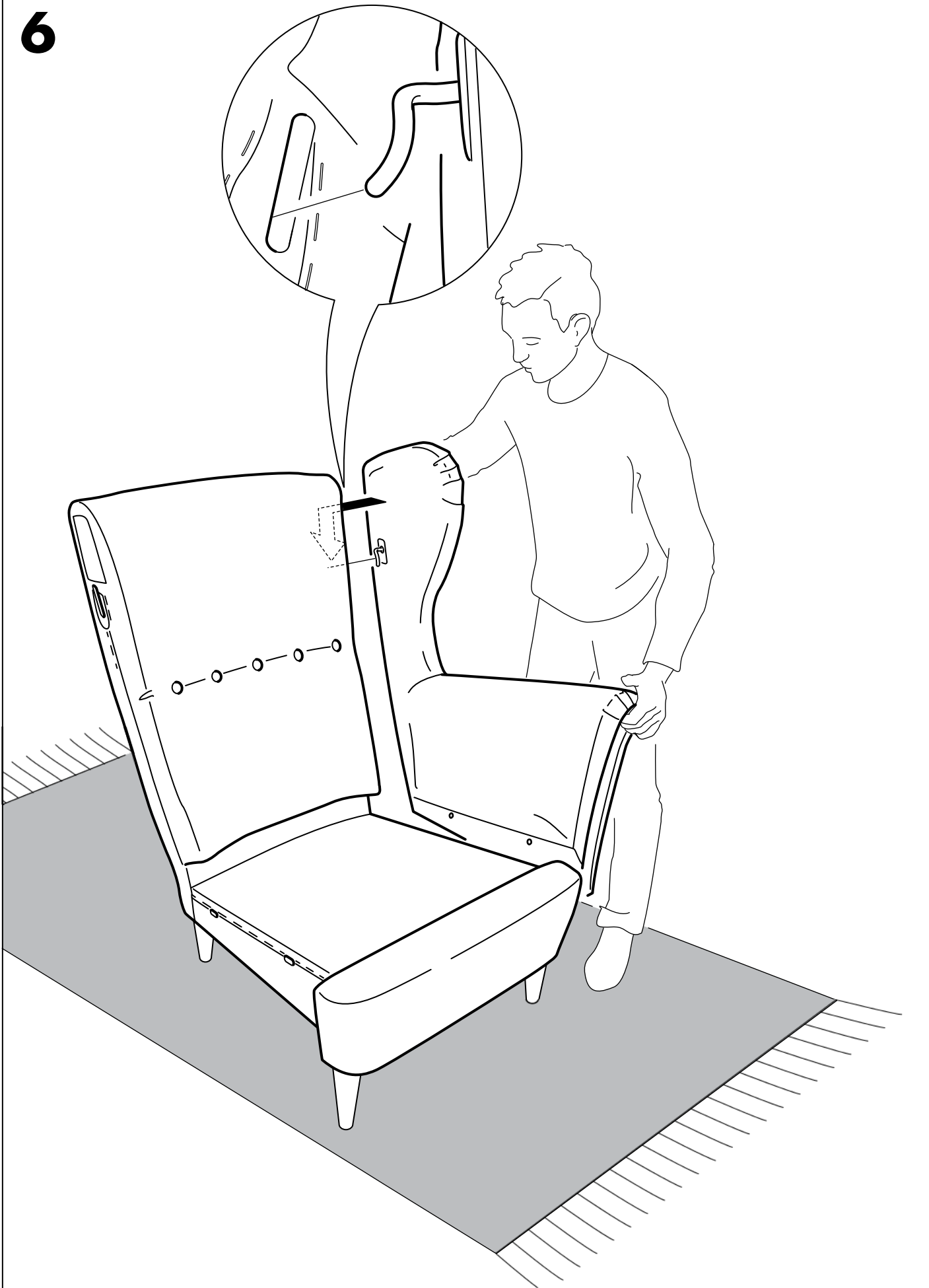
4



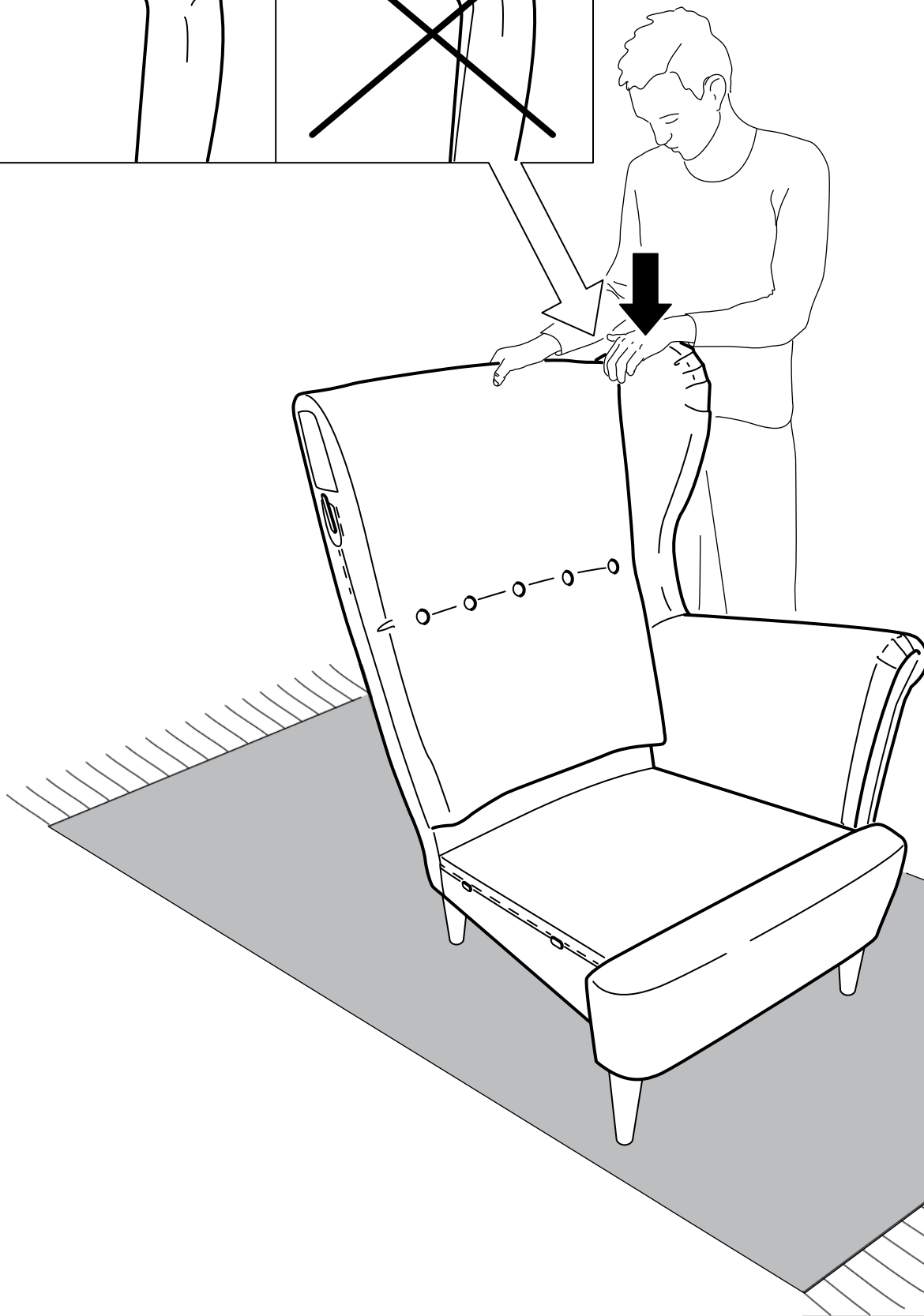
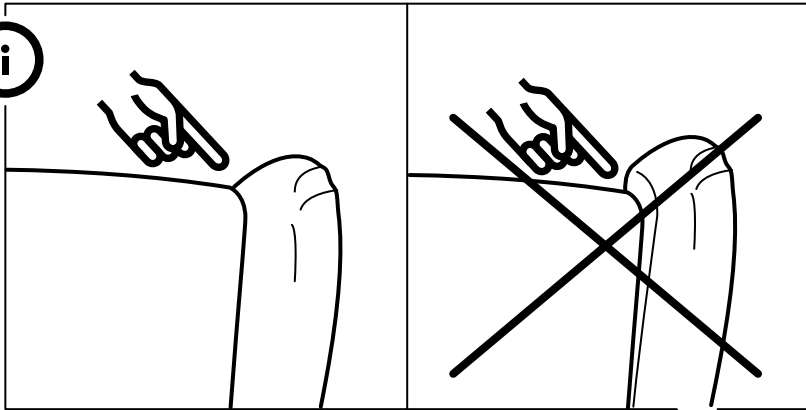
5



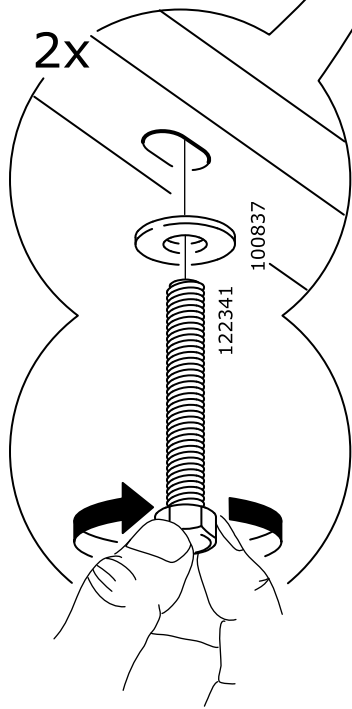
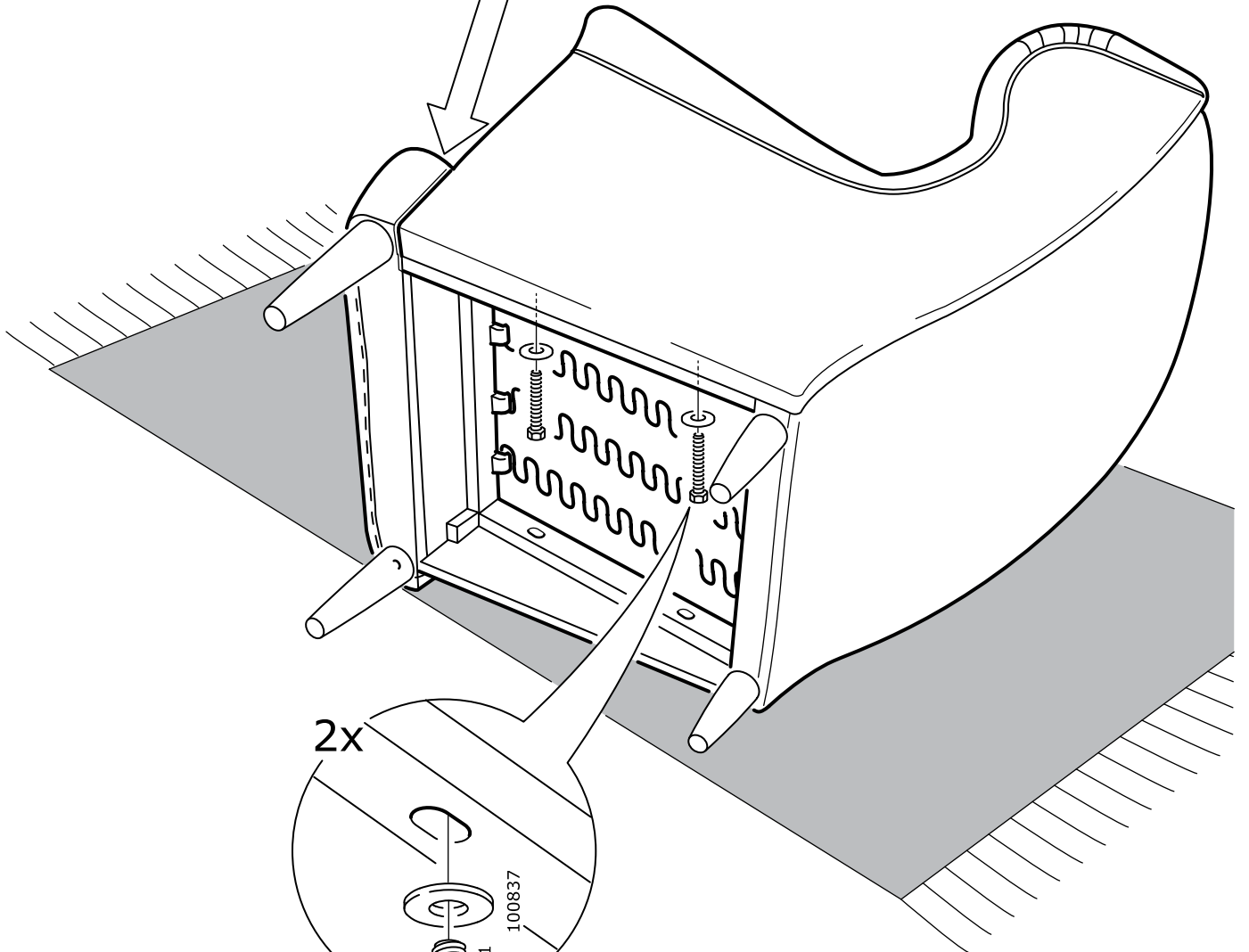
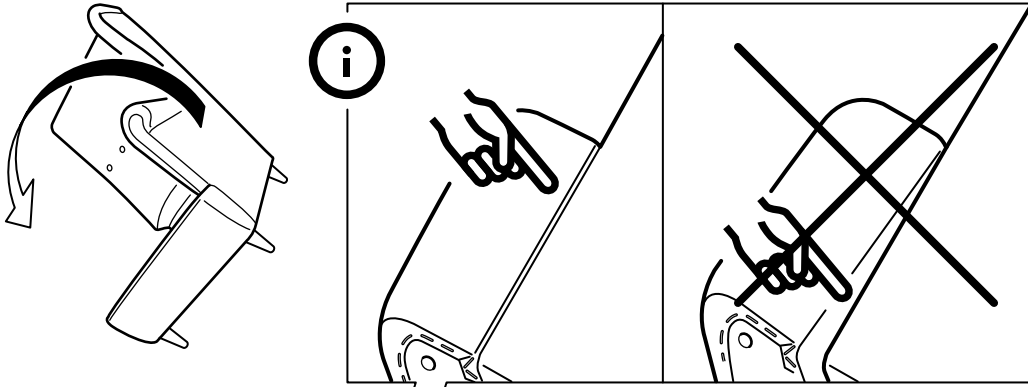
6

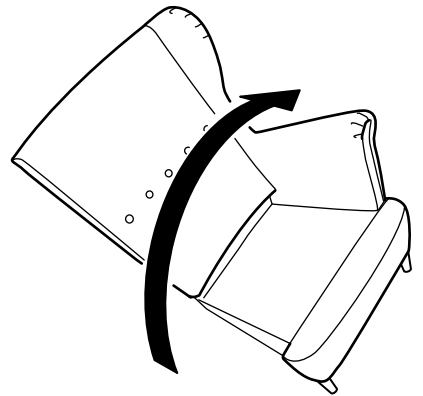
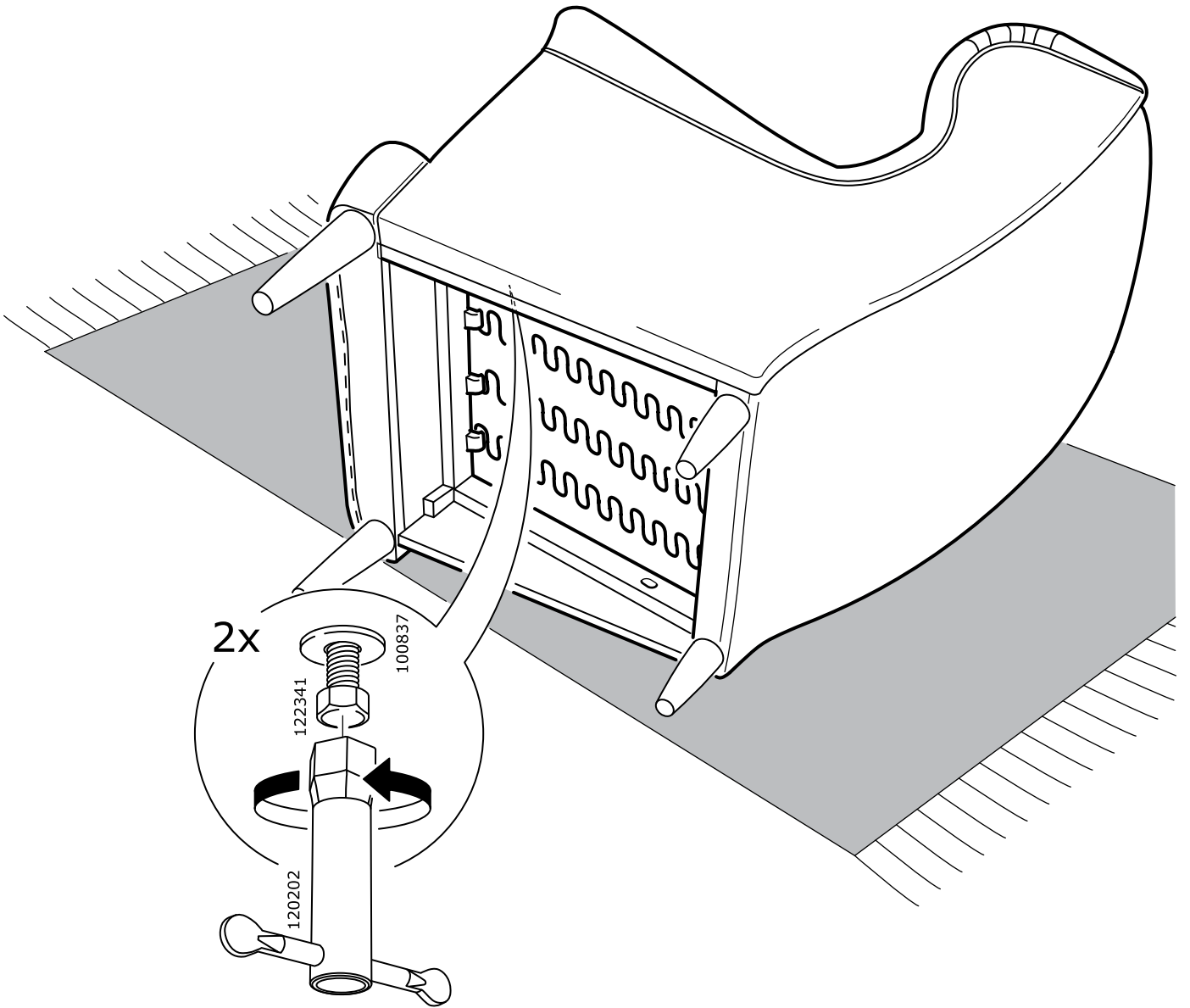


i

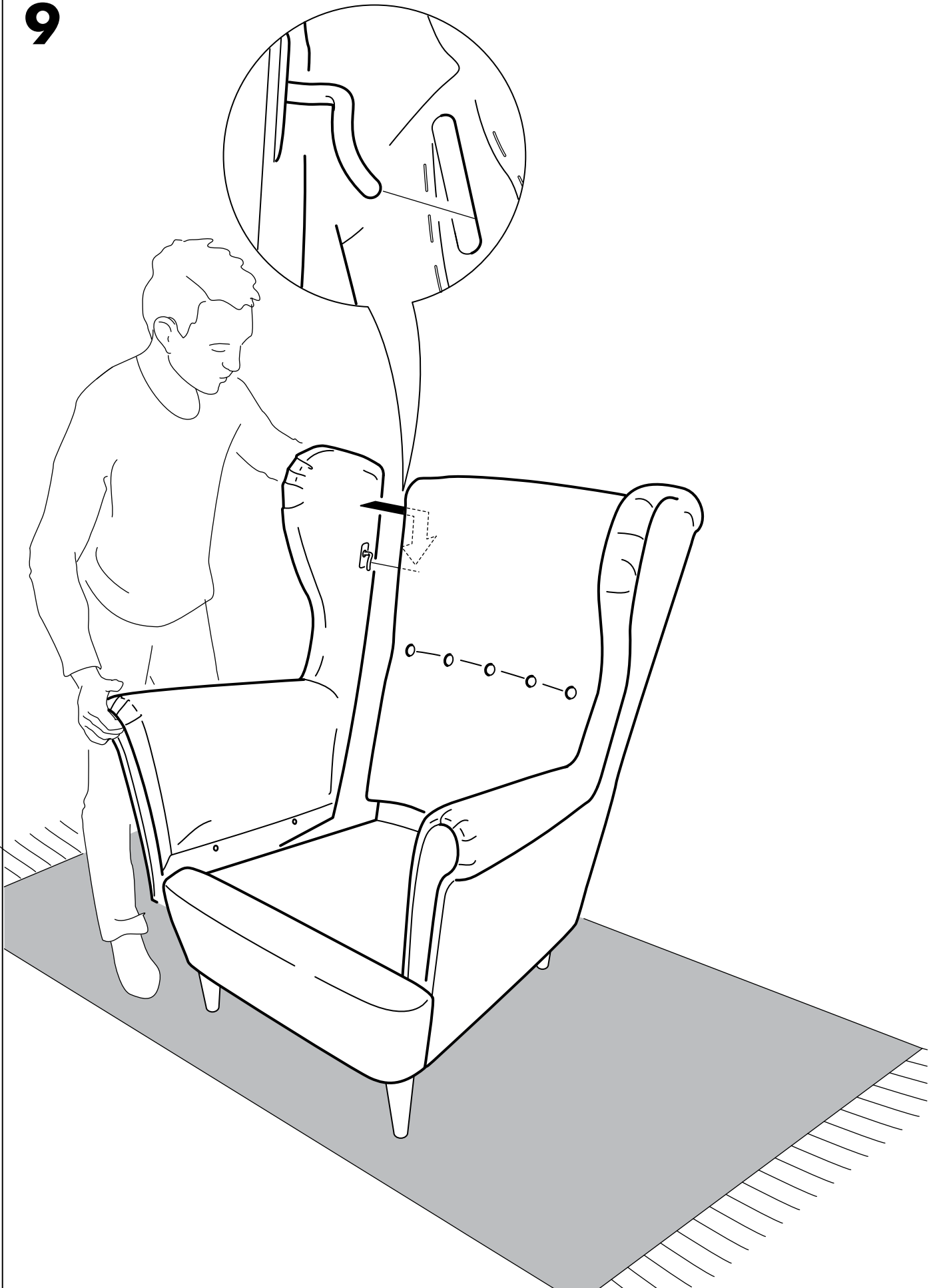


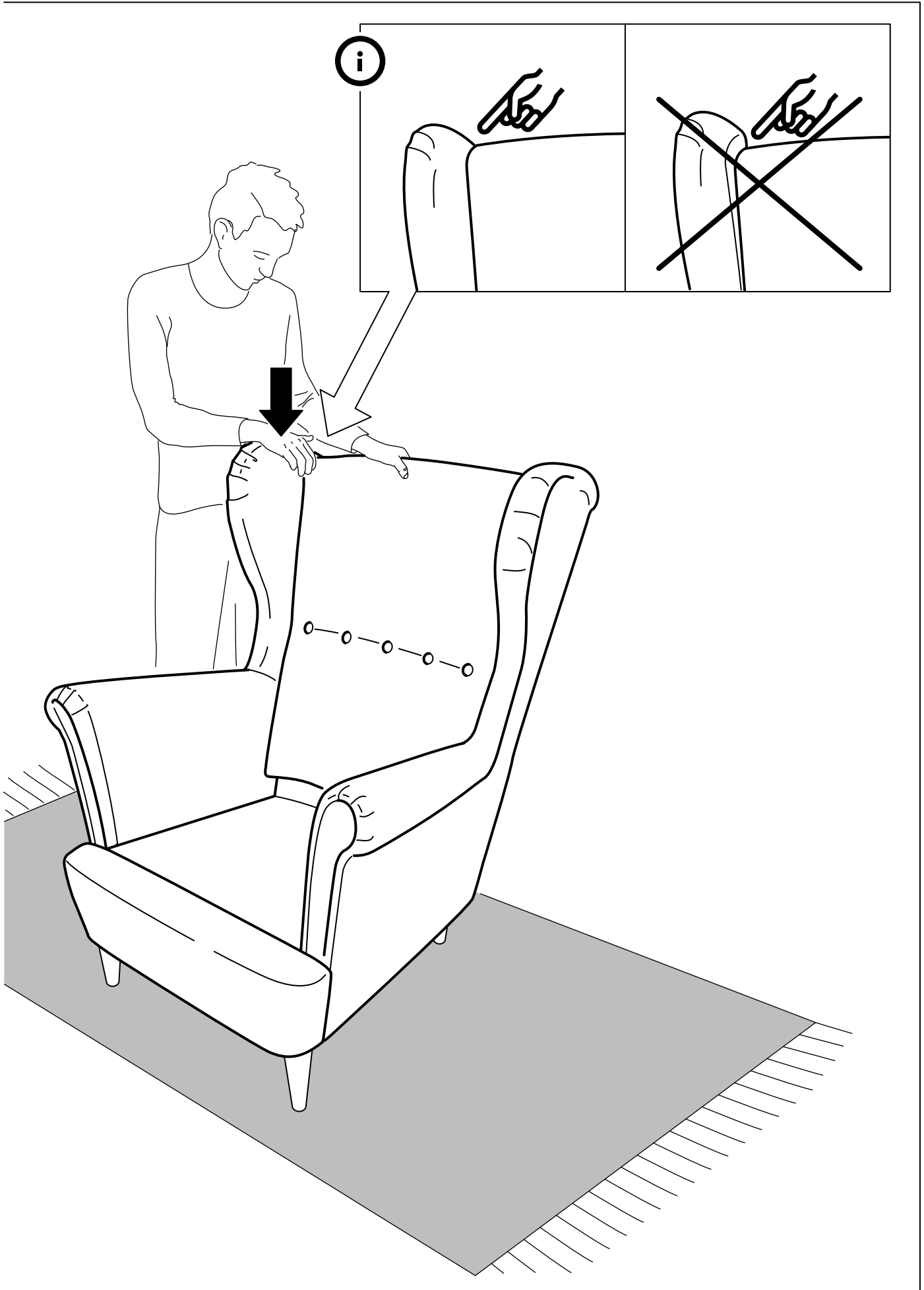
7



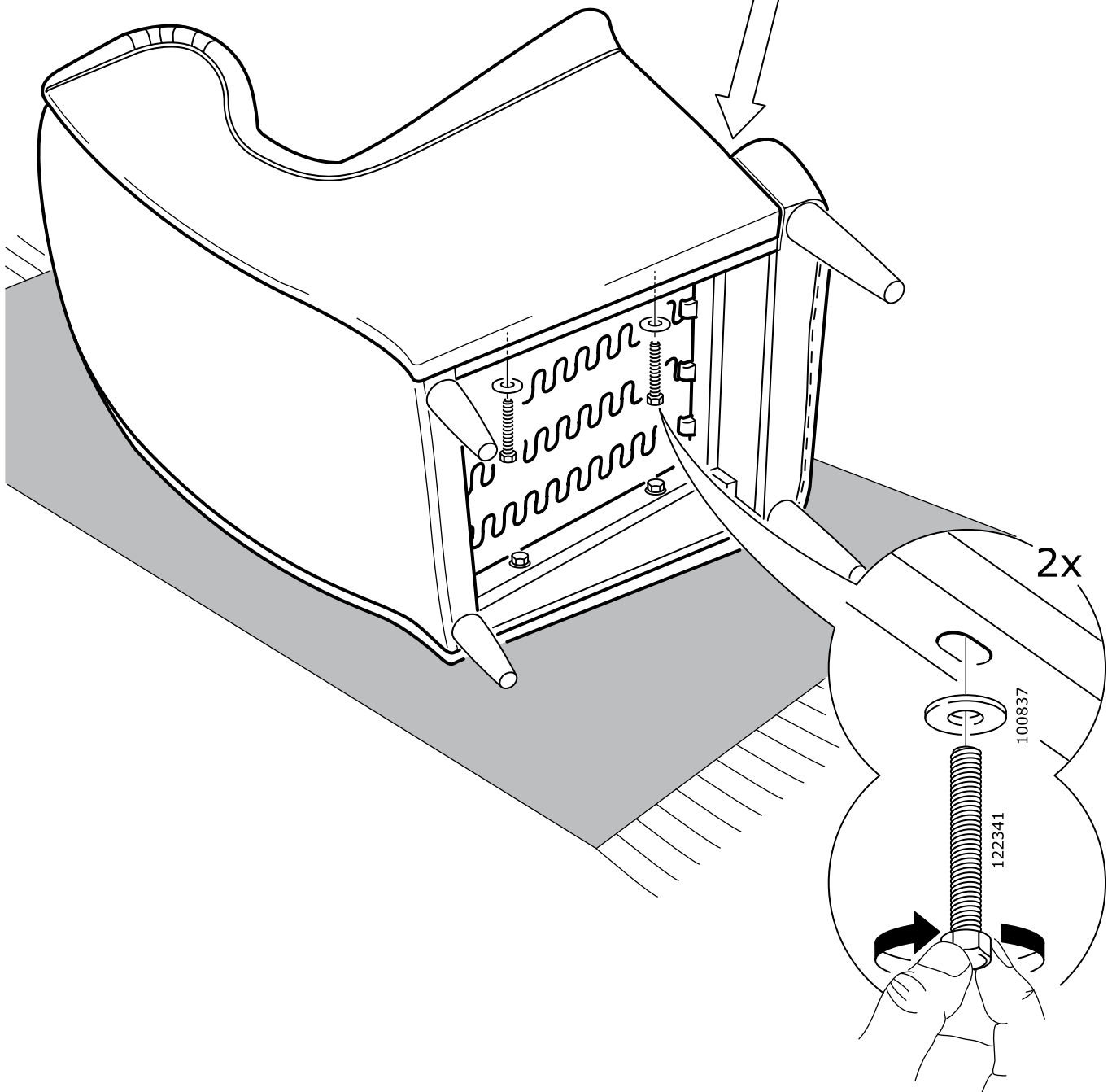
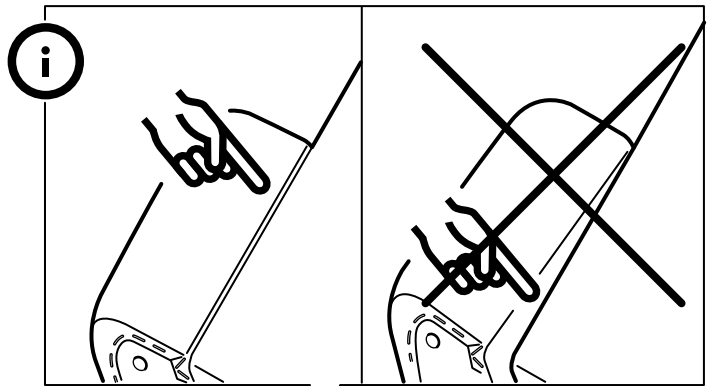
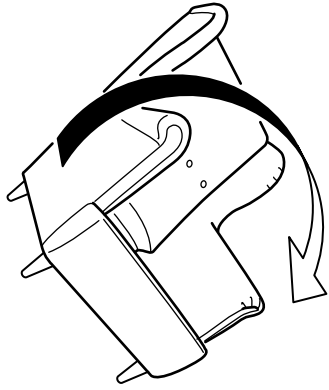


9





10



11

