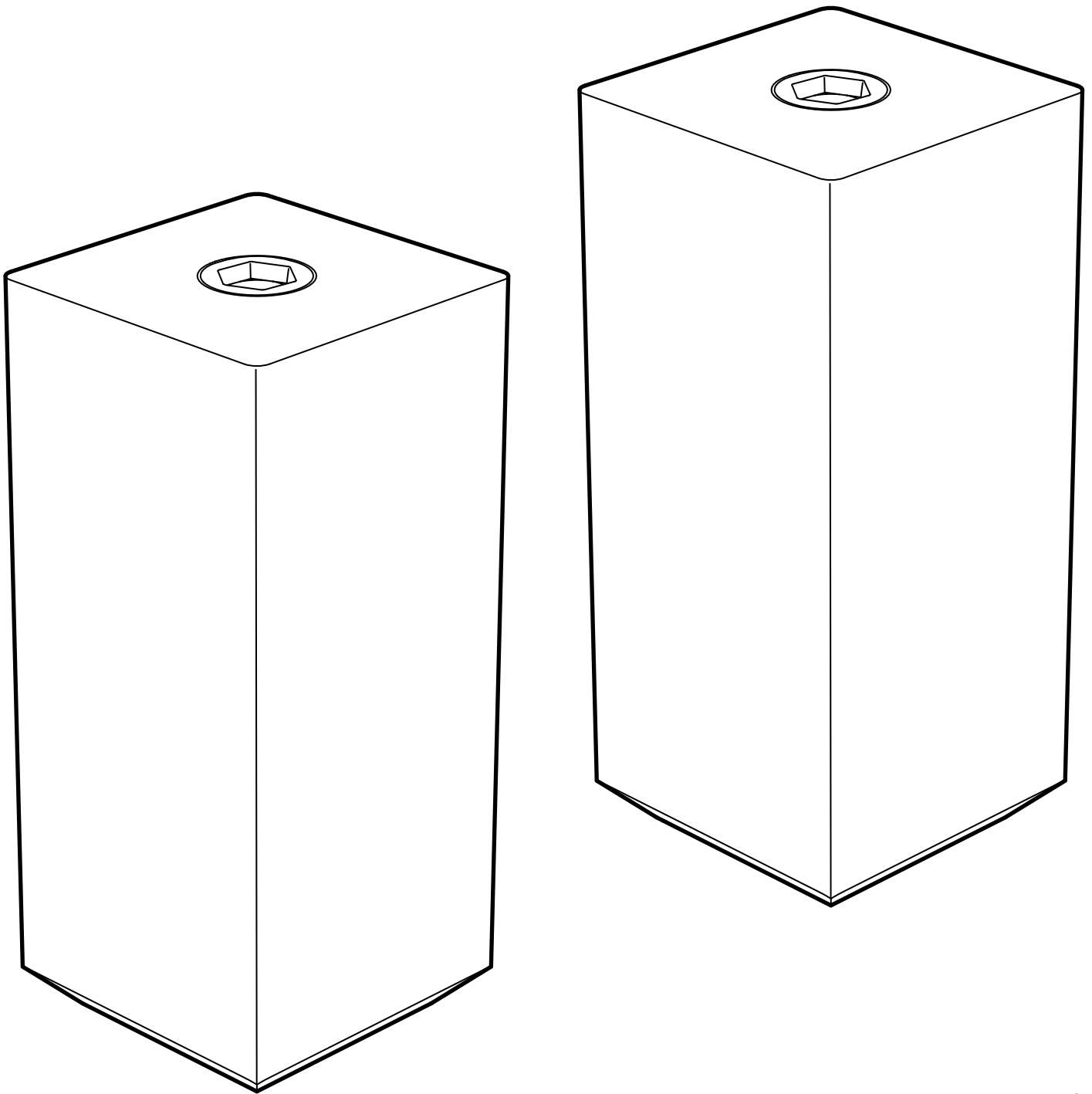
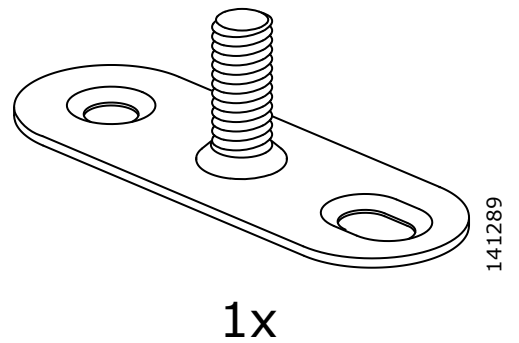
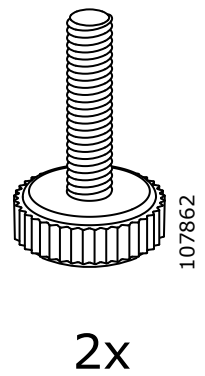
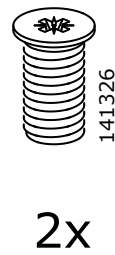
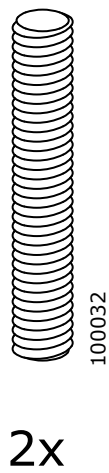
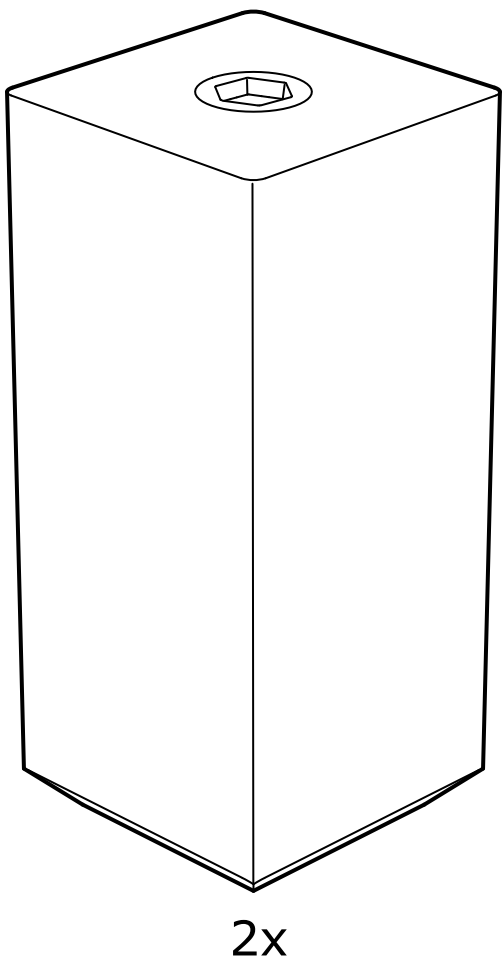
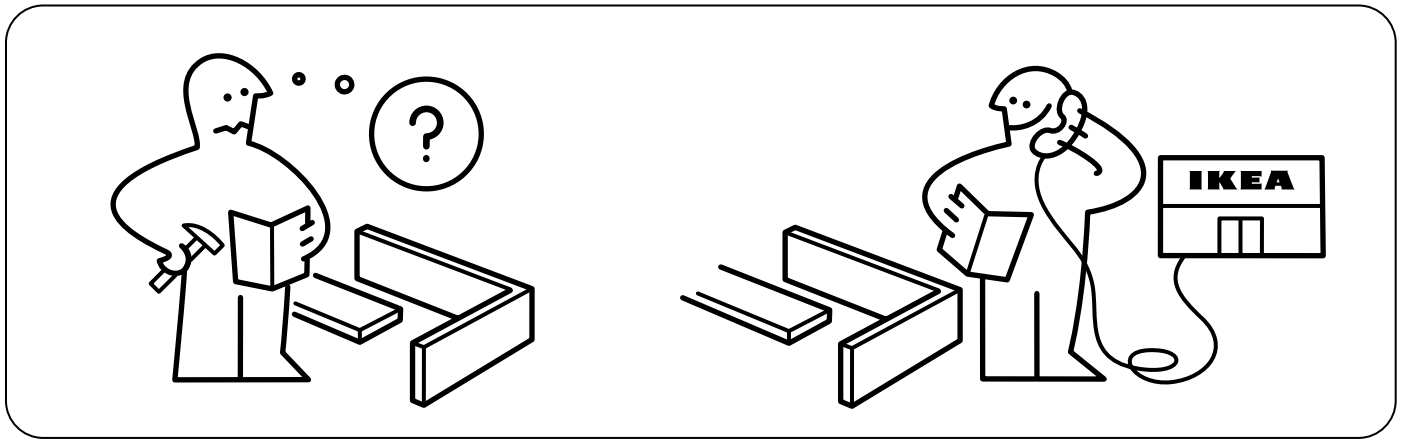
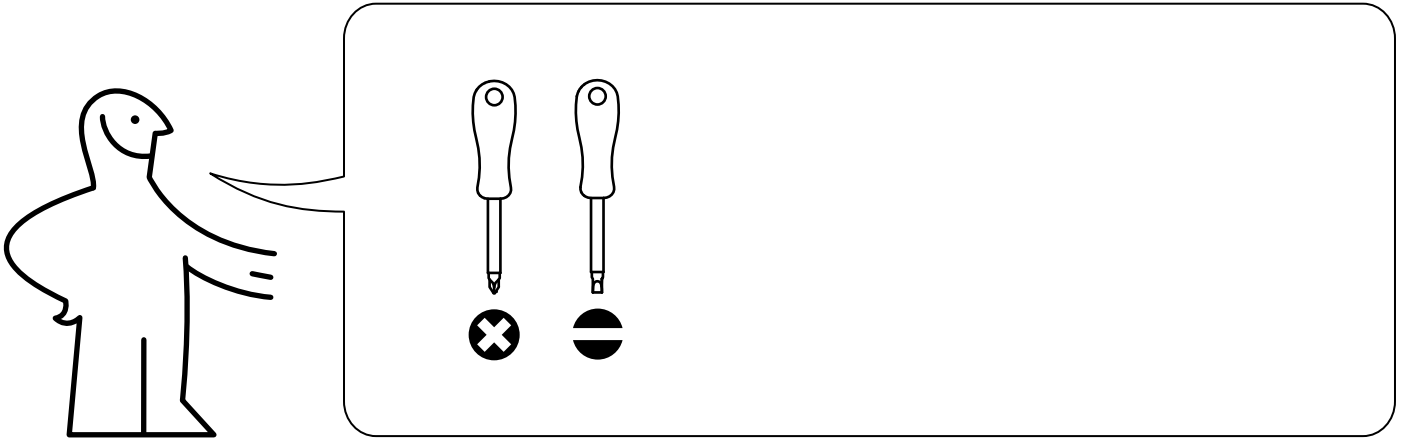


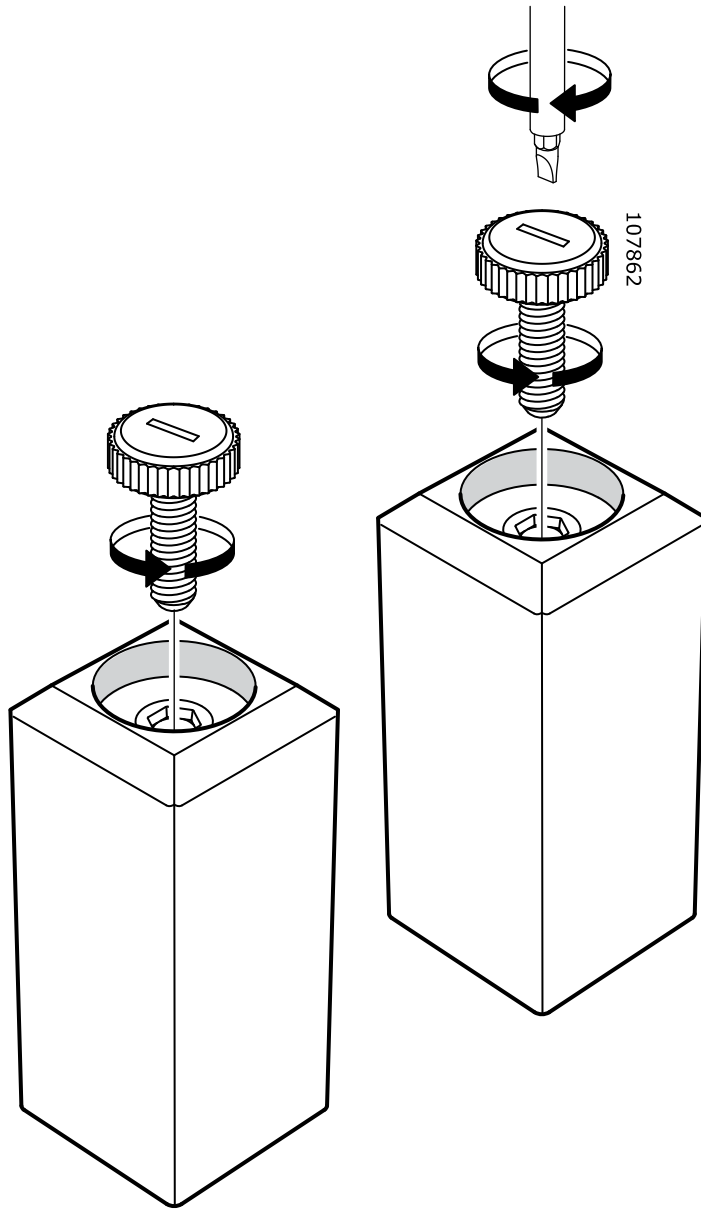
STUBBARP

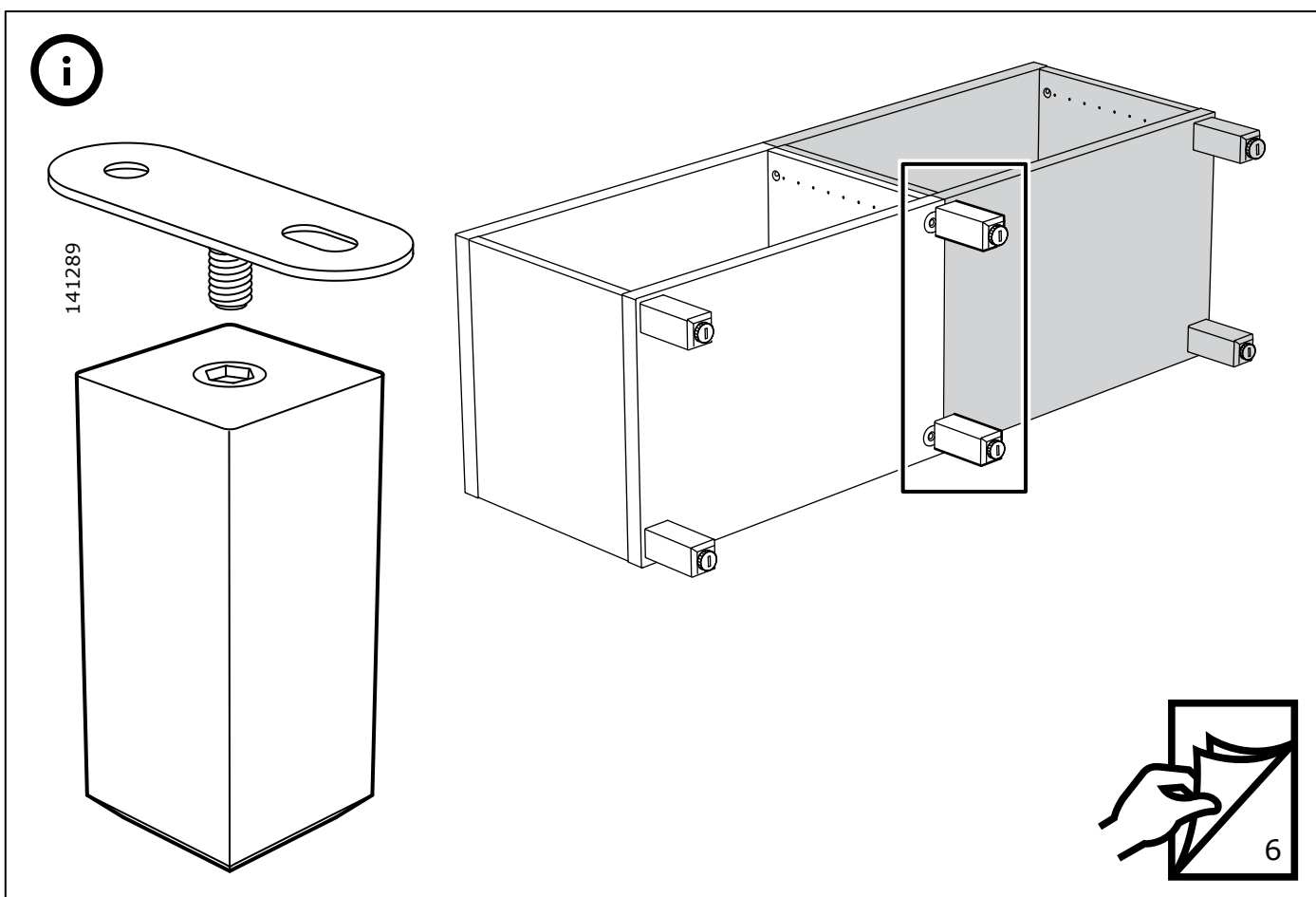
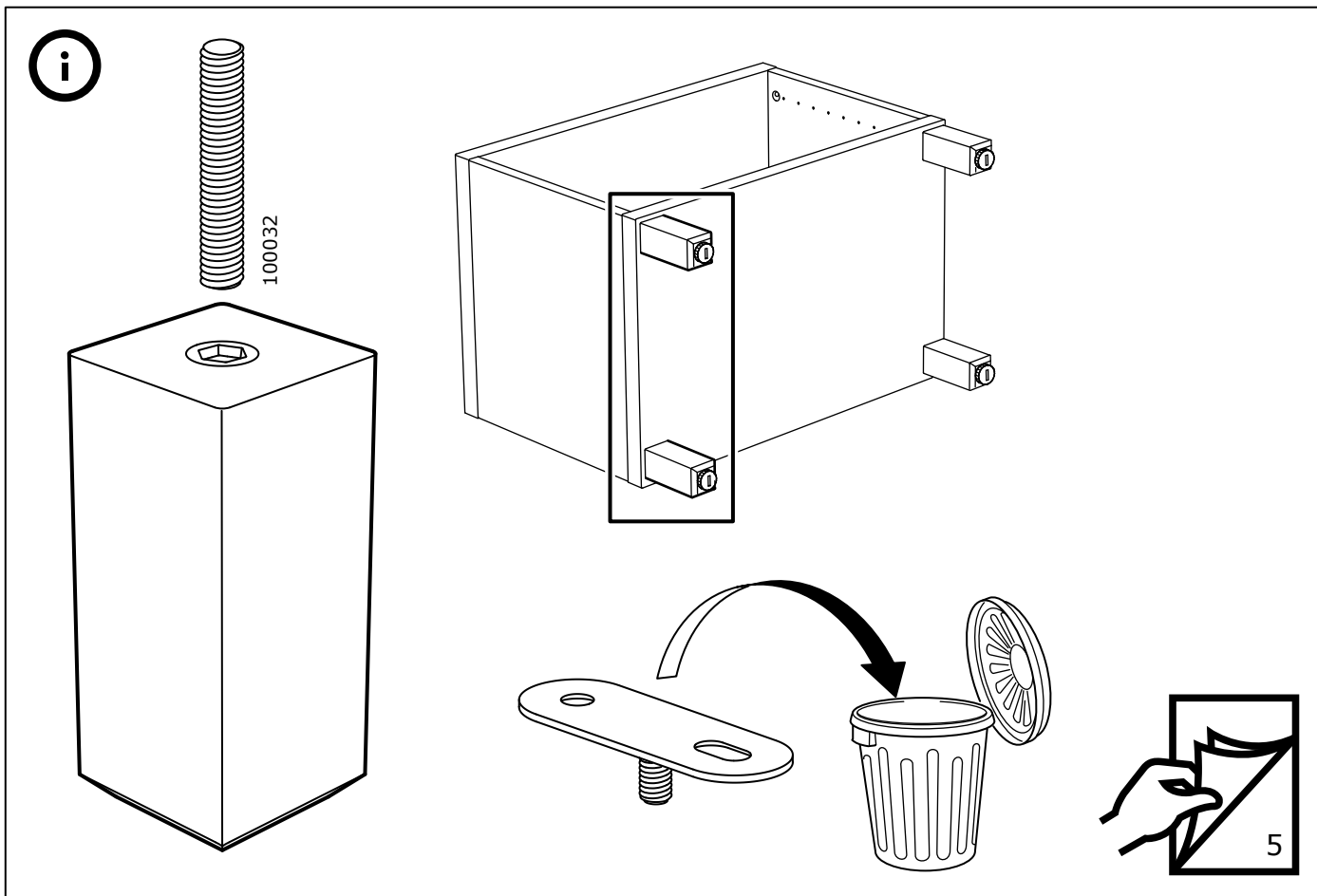


Design and Quality
IKEA of Sweden

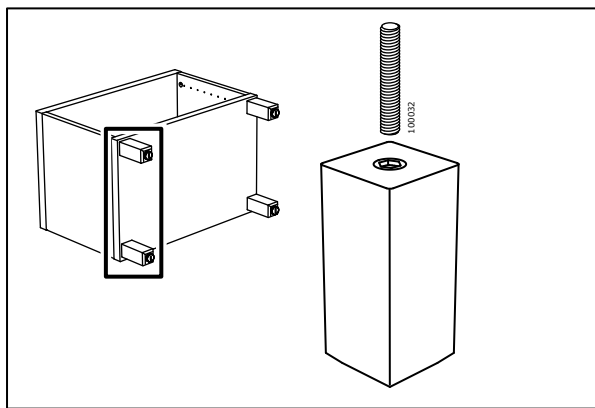


1

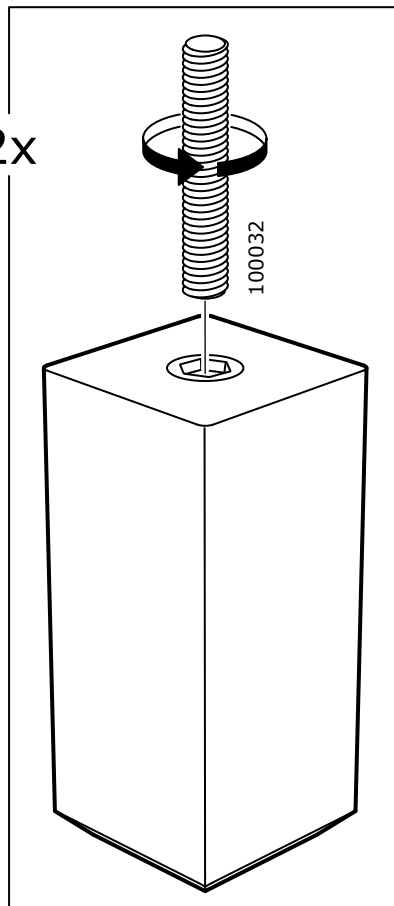




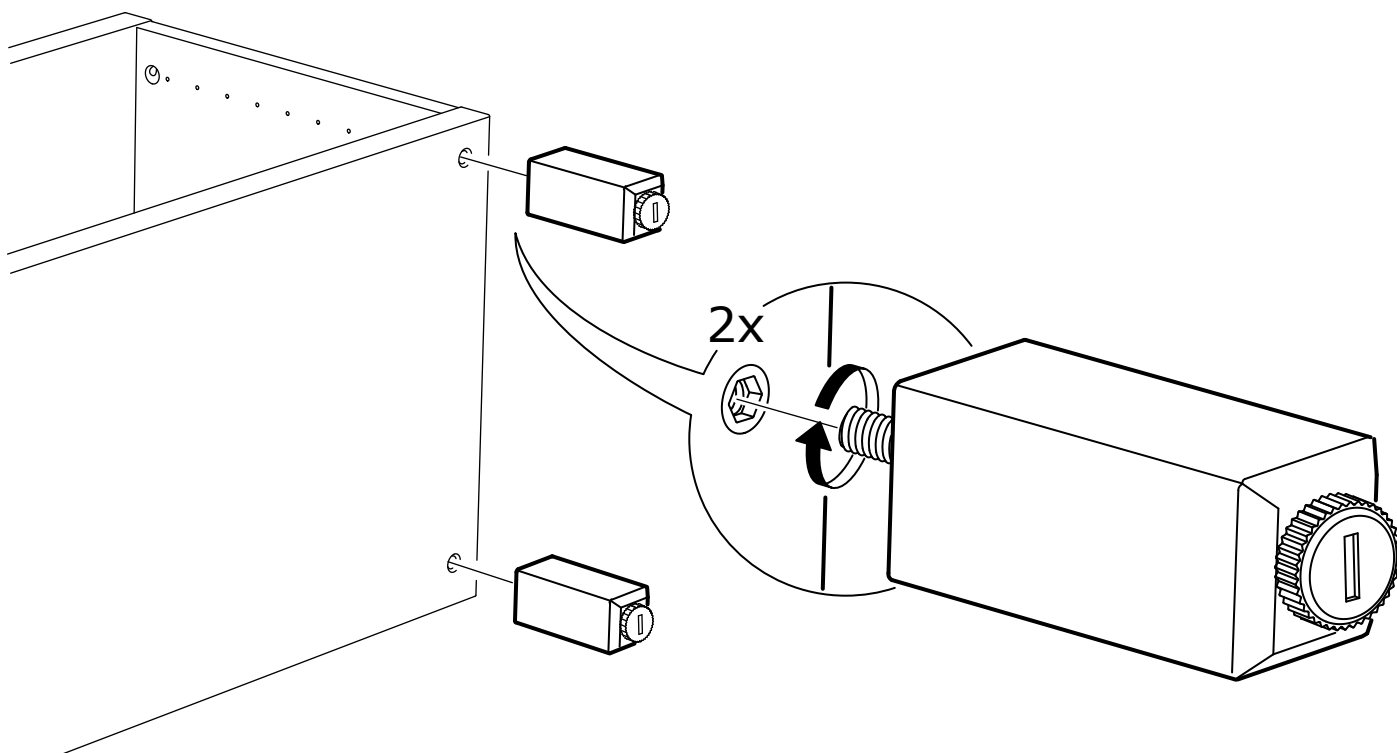
2



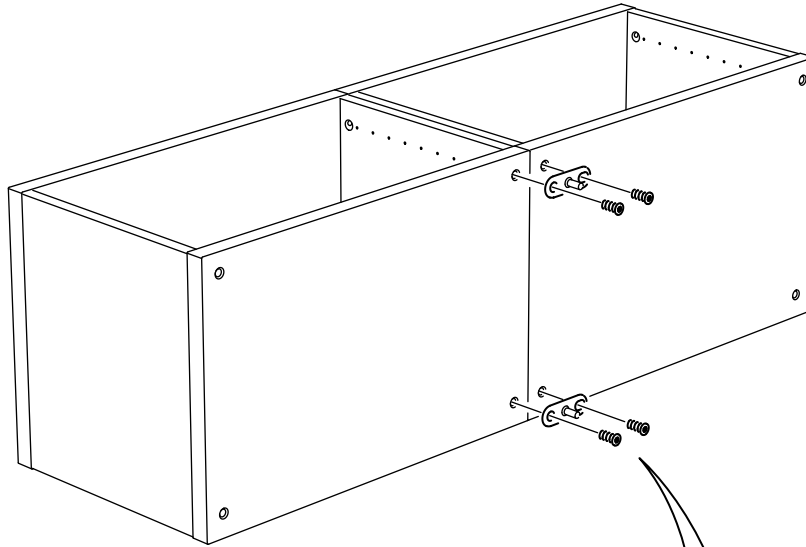
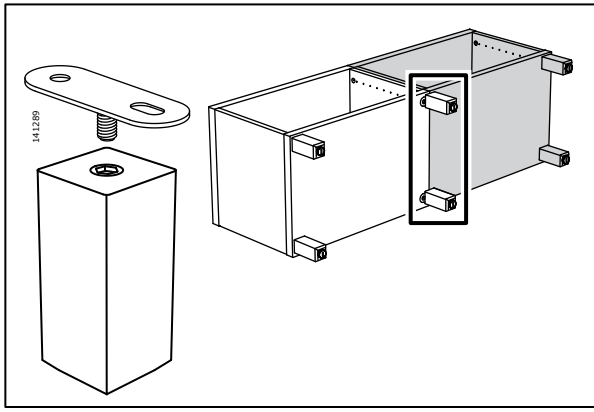
2x



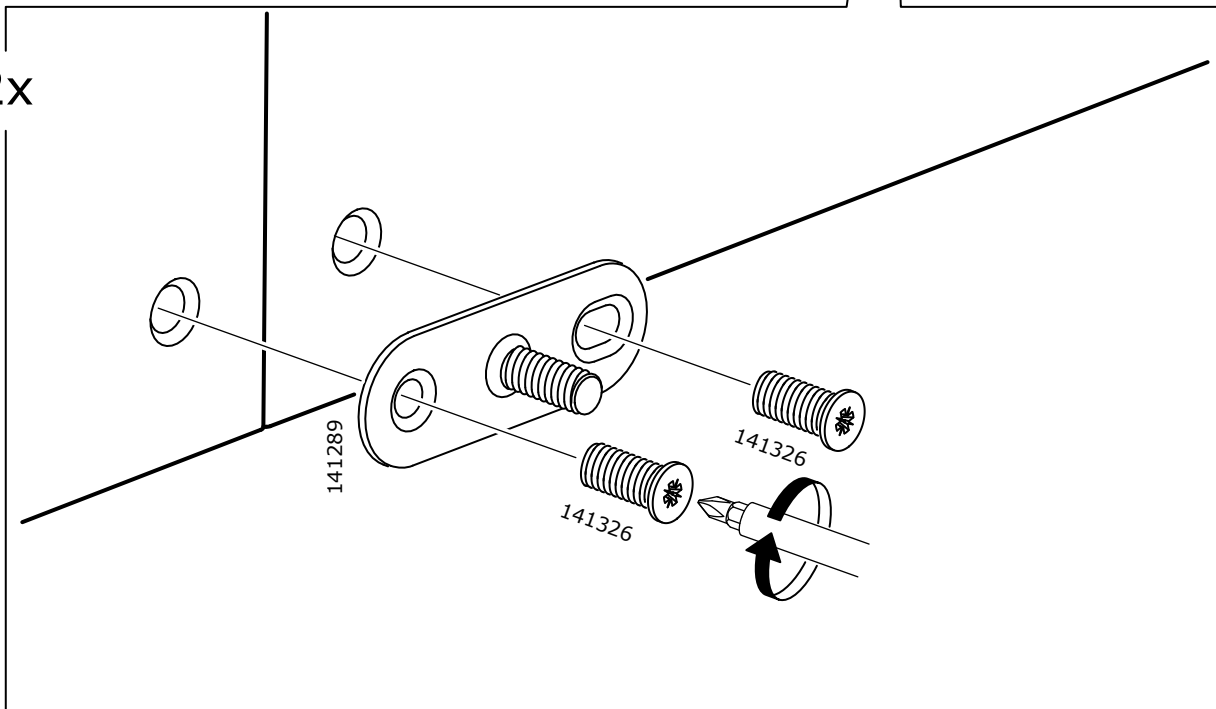
3



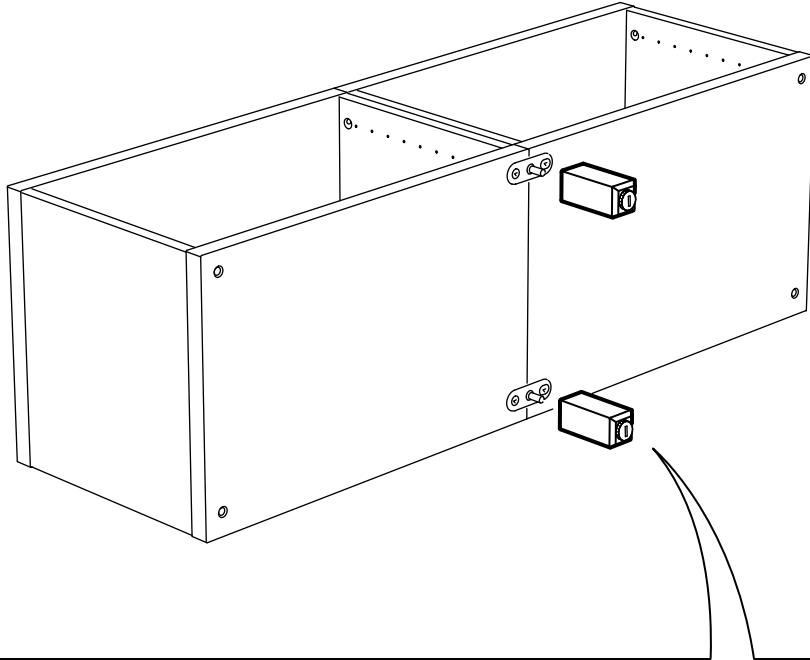
2



2x



3



2x

