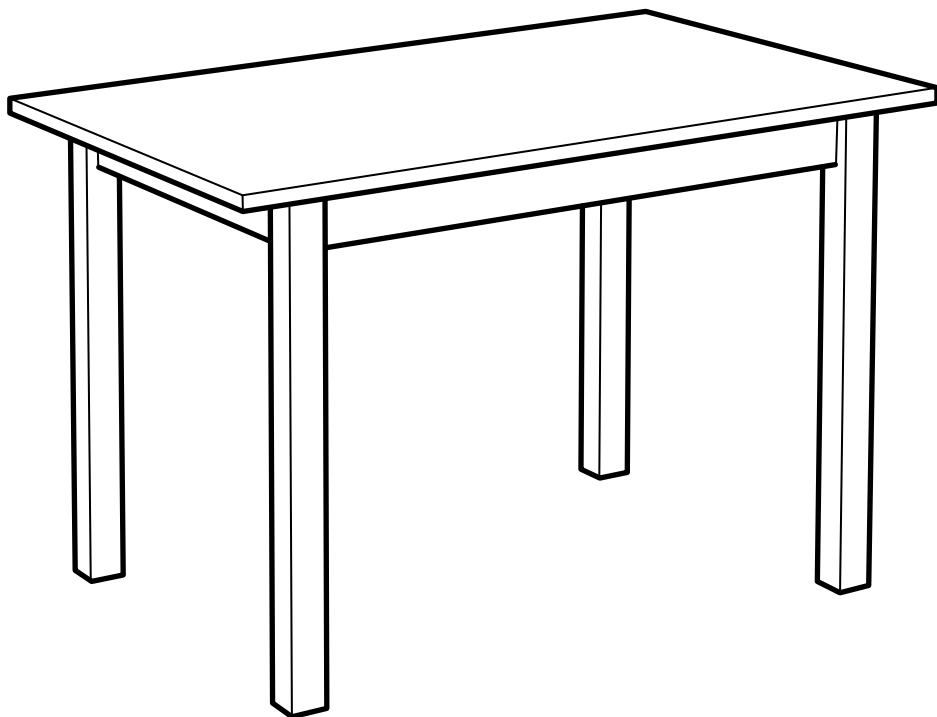
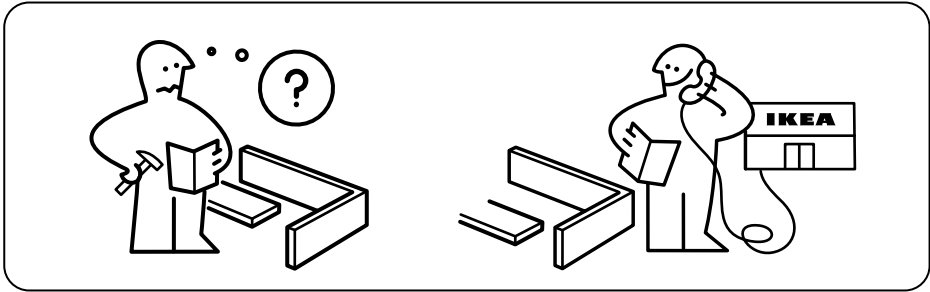
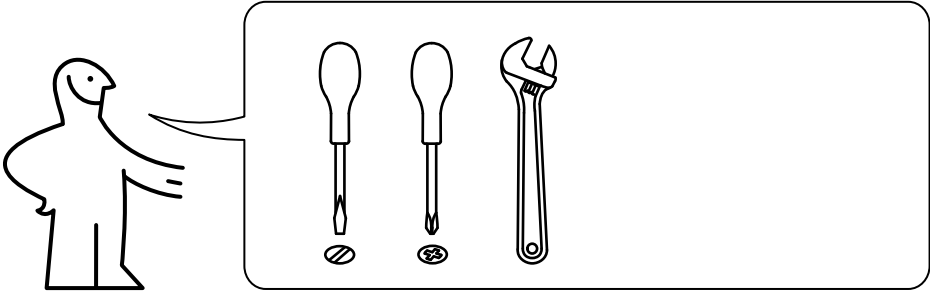
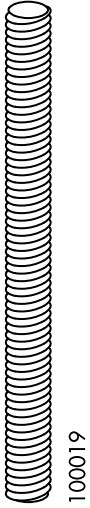


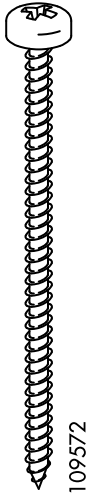
# SUNDEVIK



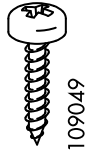




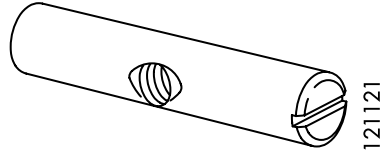
4x



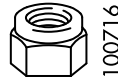
8x



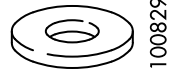
8x



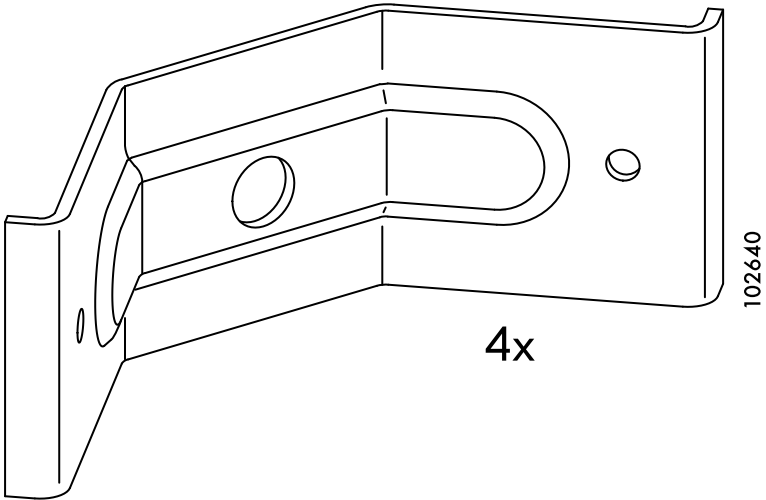
4x



4x

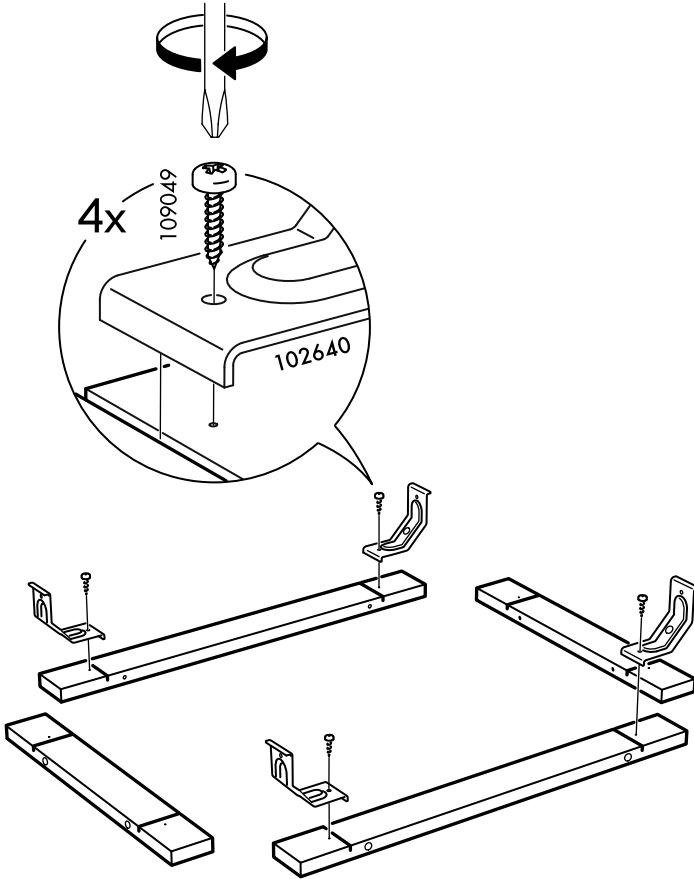


4x

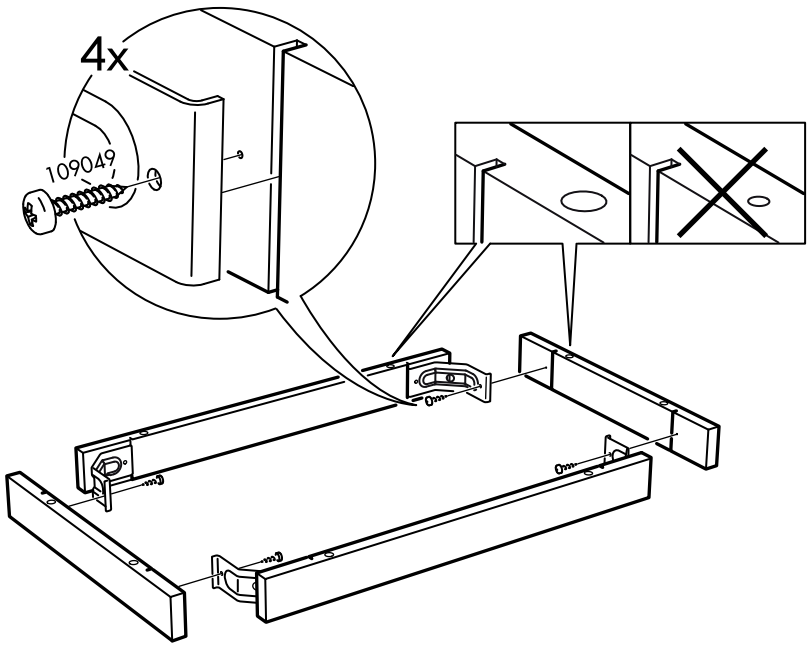


4x

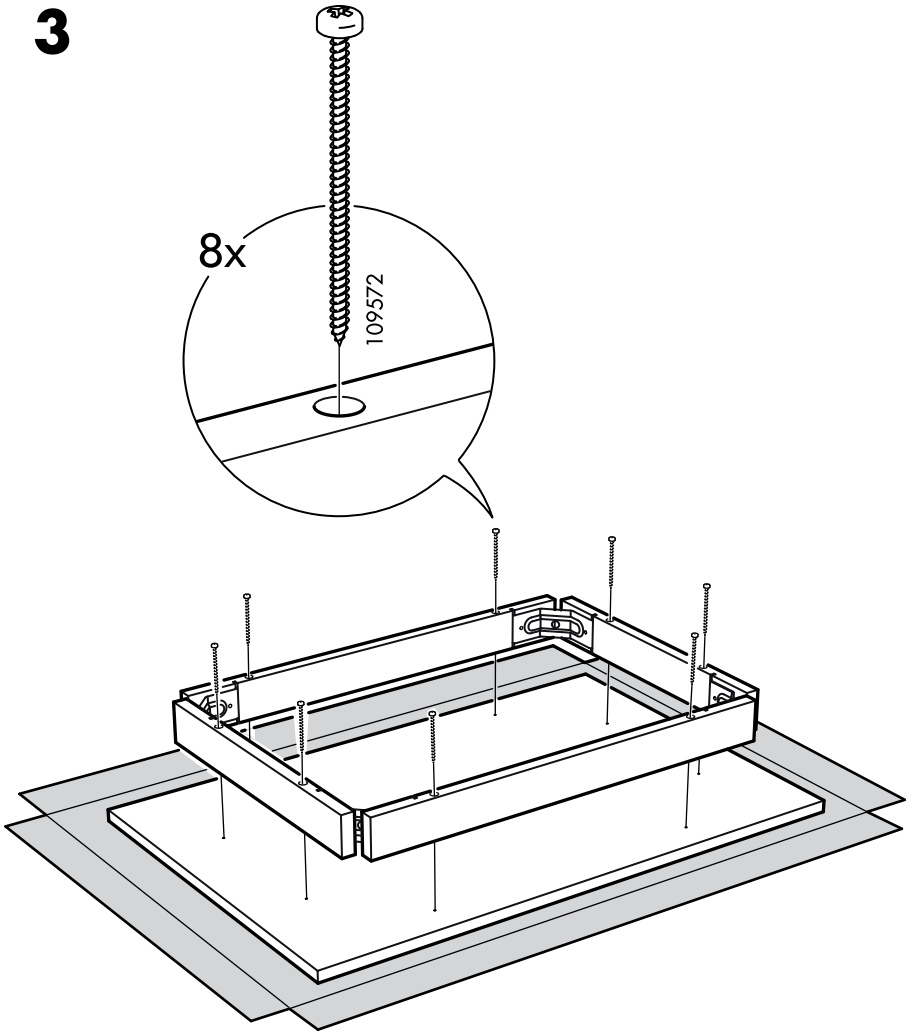
1



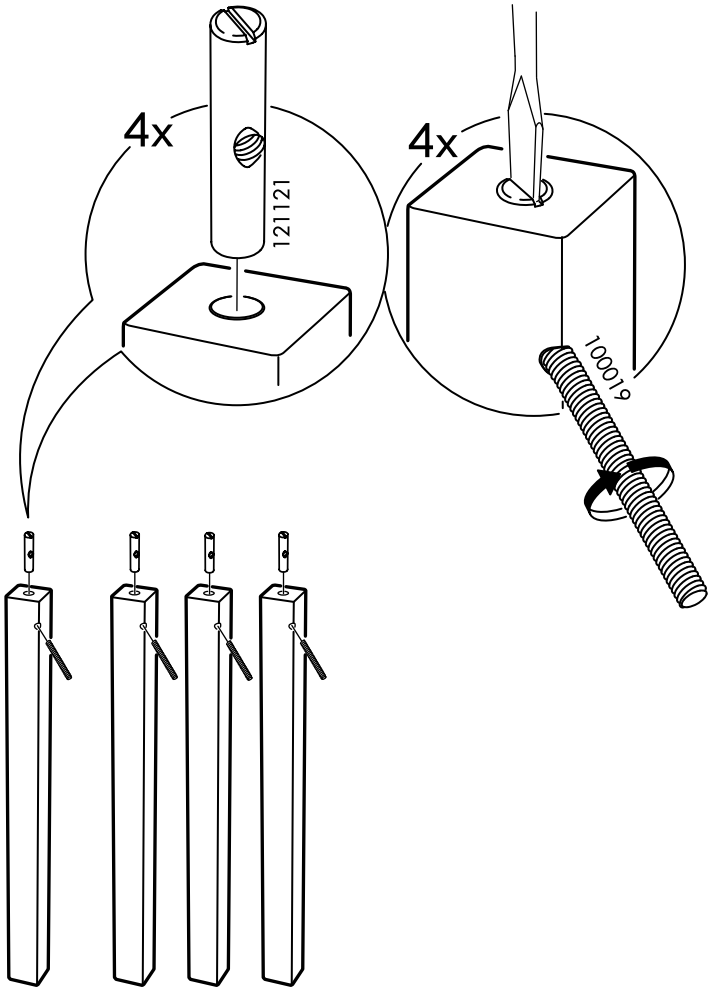
# 2



**3**



# 4



# 5

