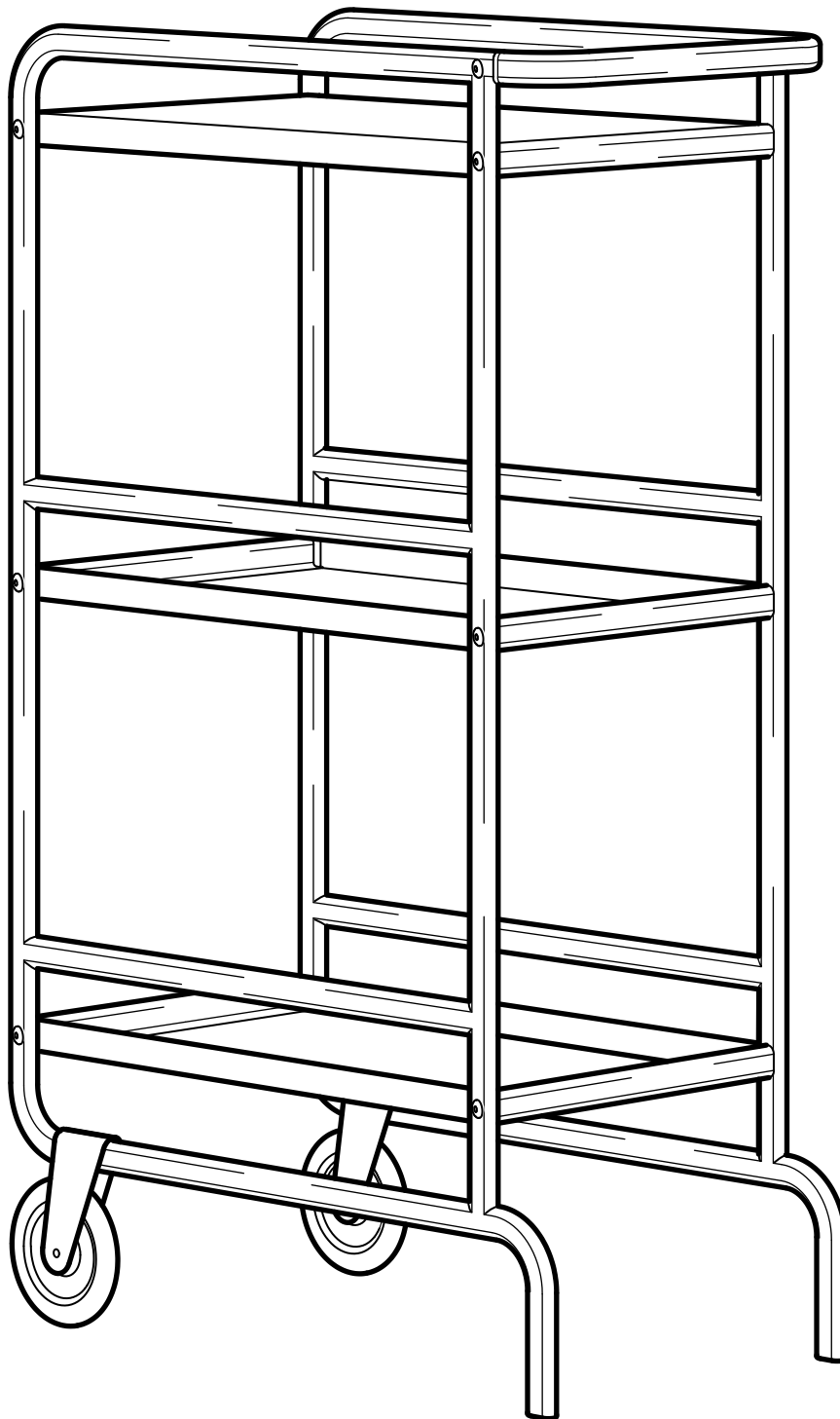
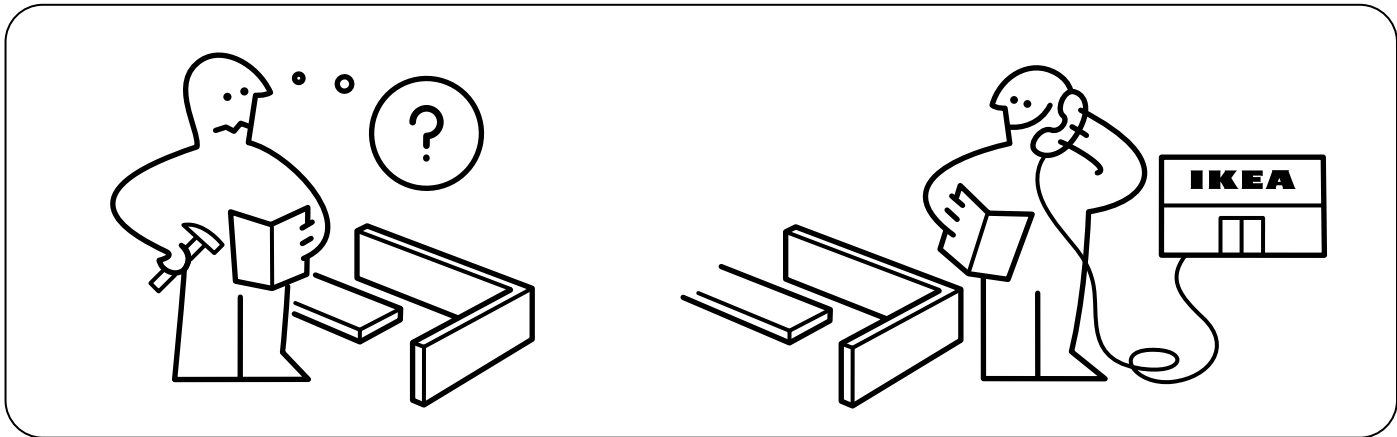
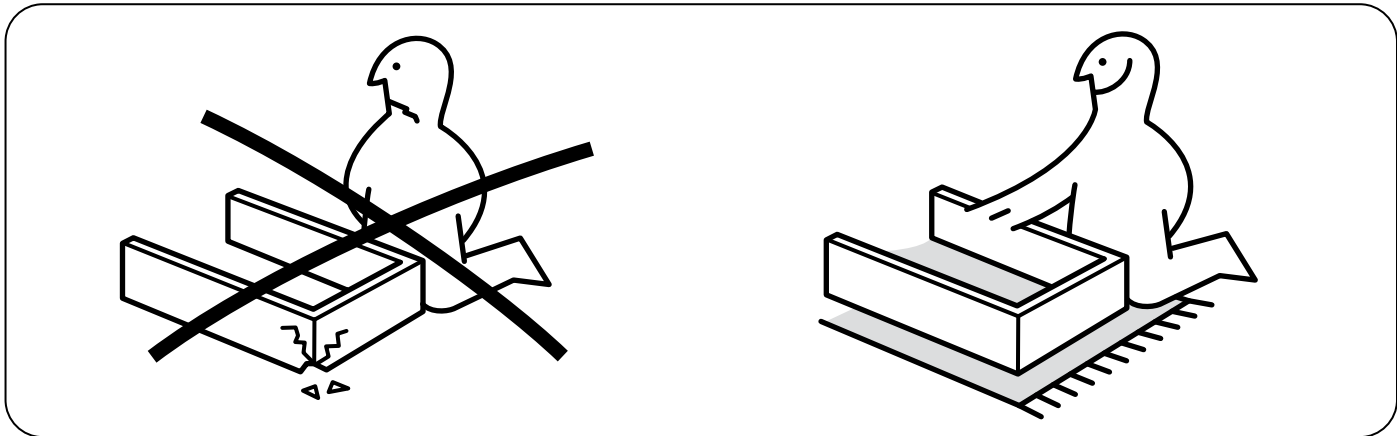


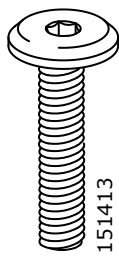
# SUNNERSTA



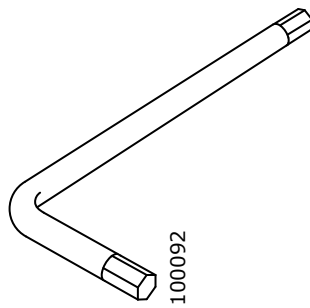
Design and Quality  
IKEA of Sweden



2x

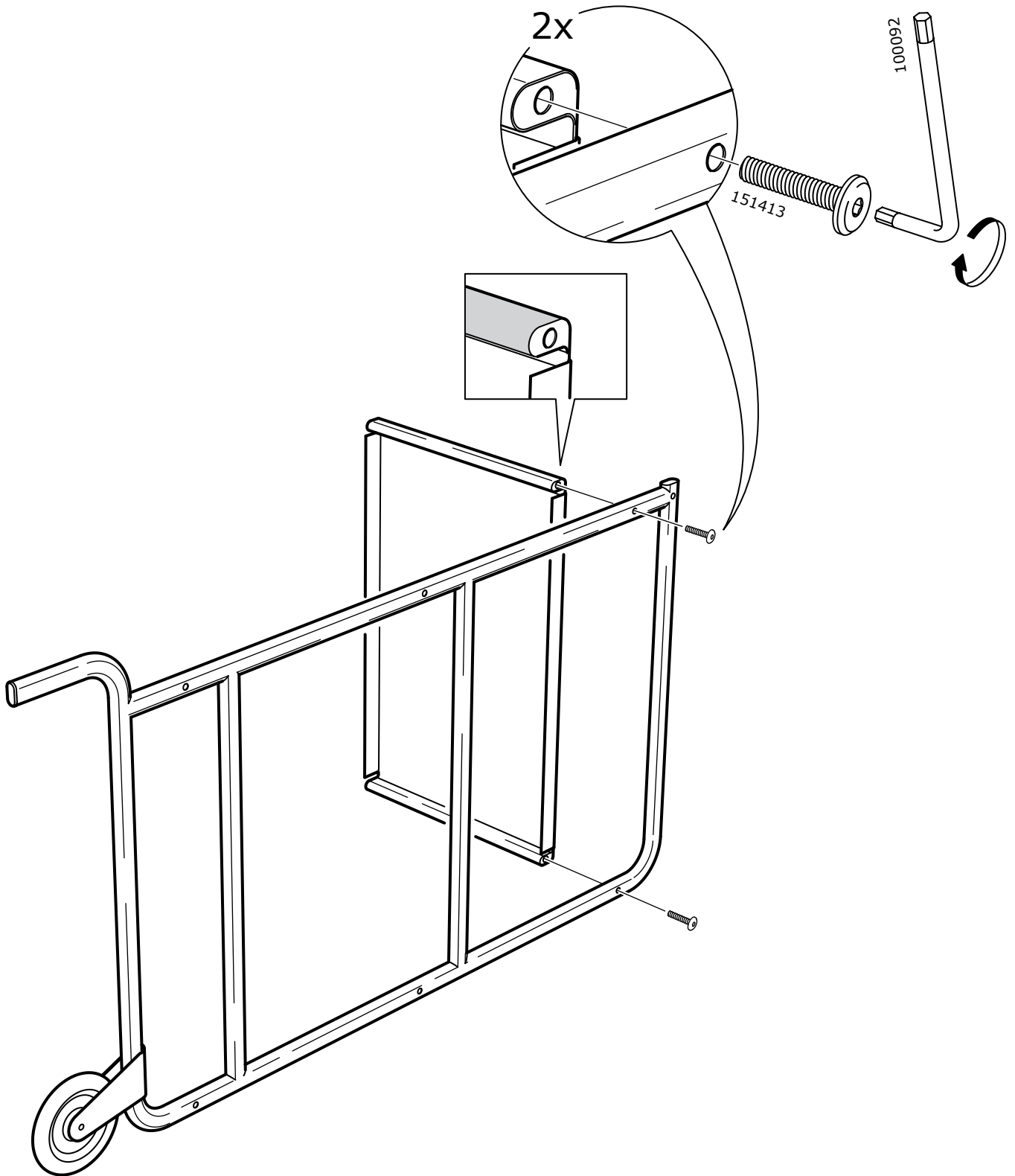


12x

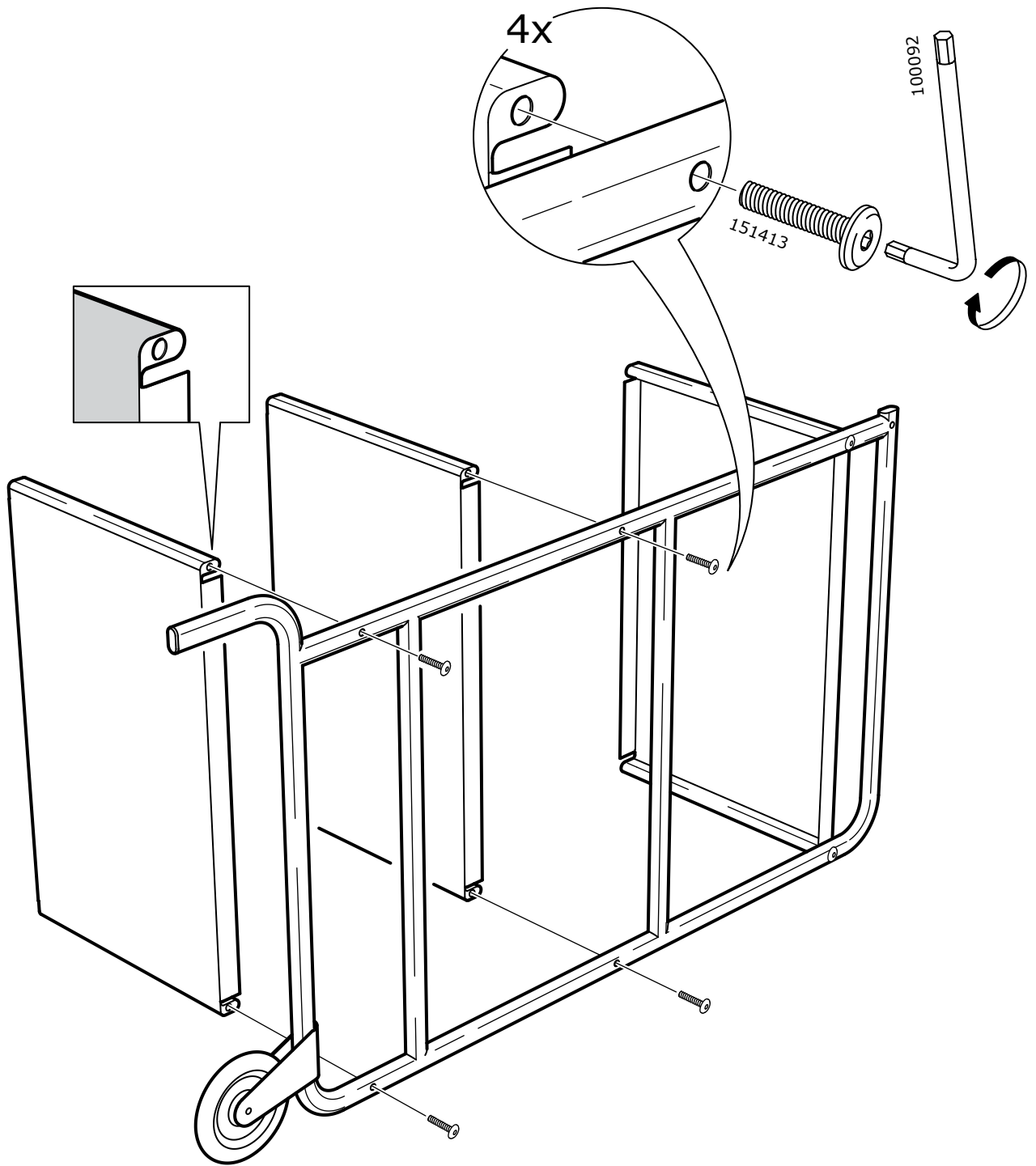


1x

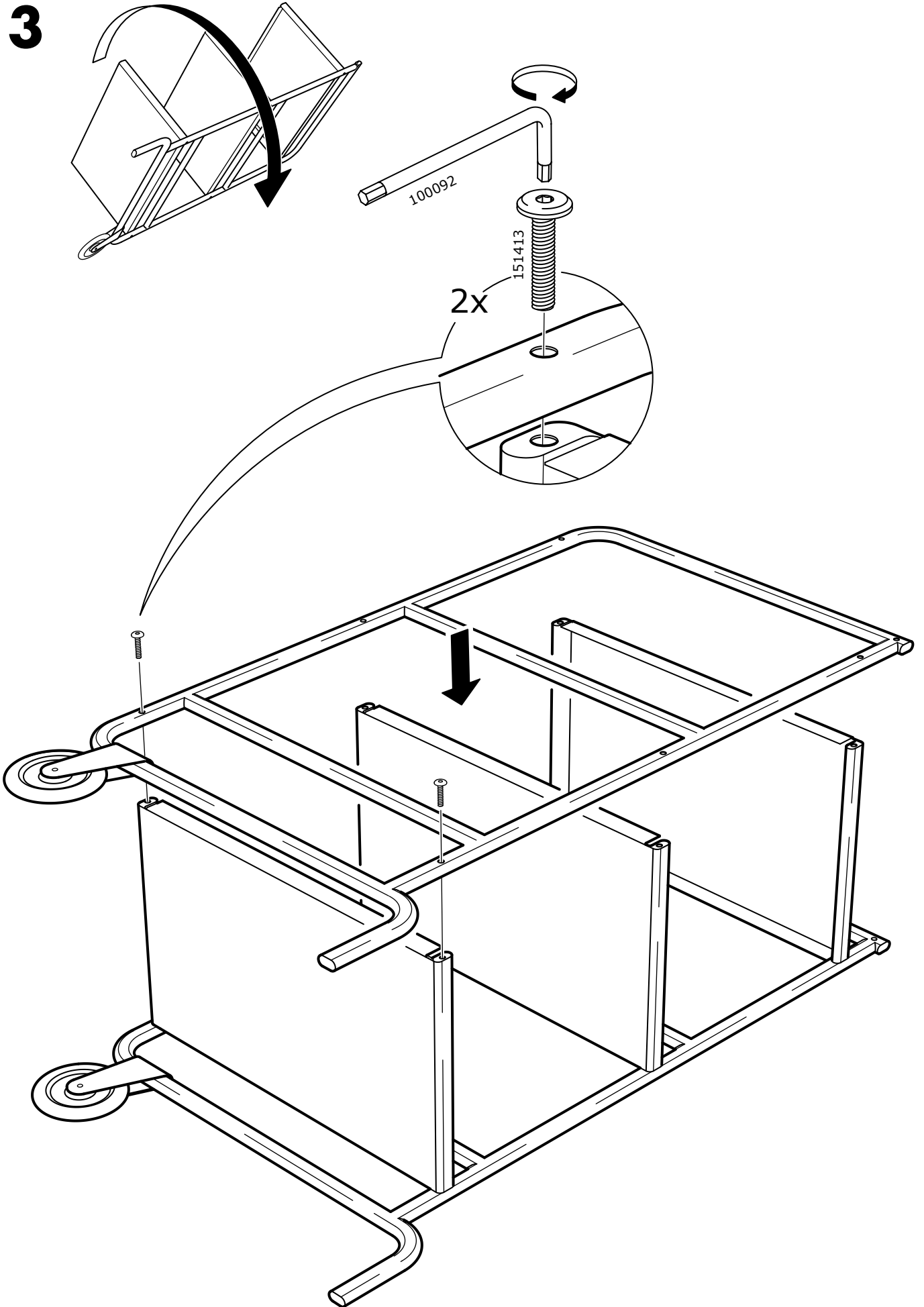
1



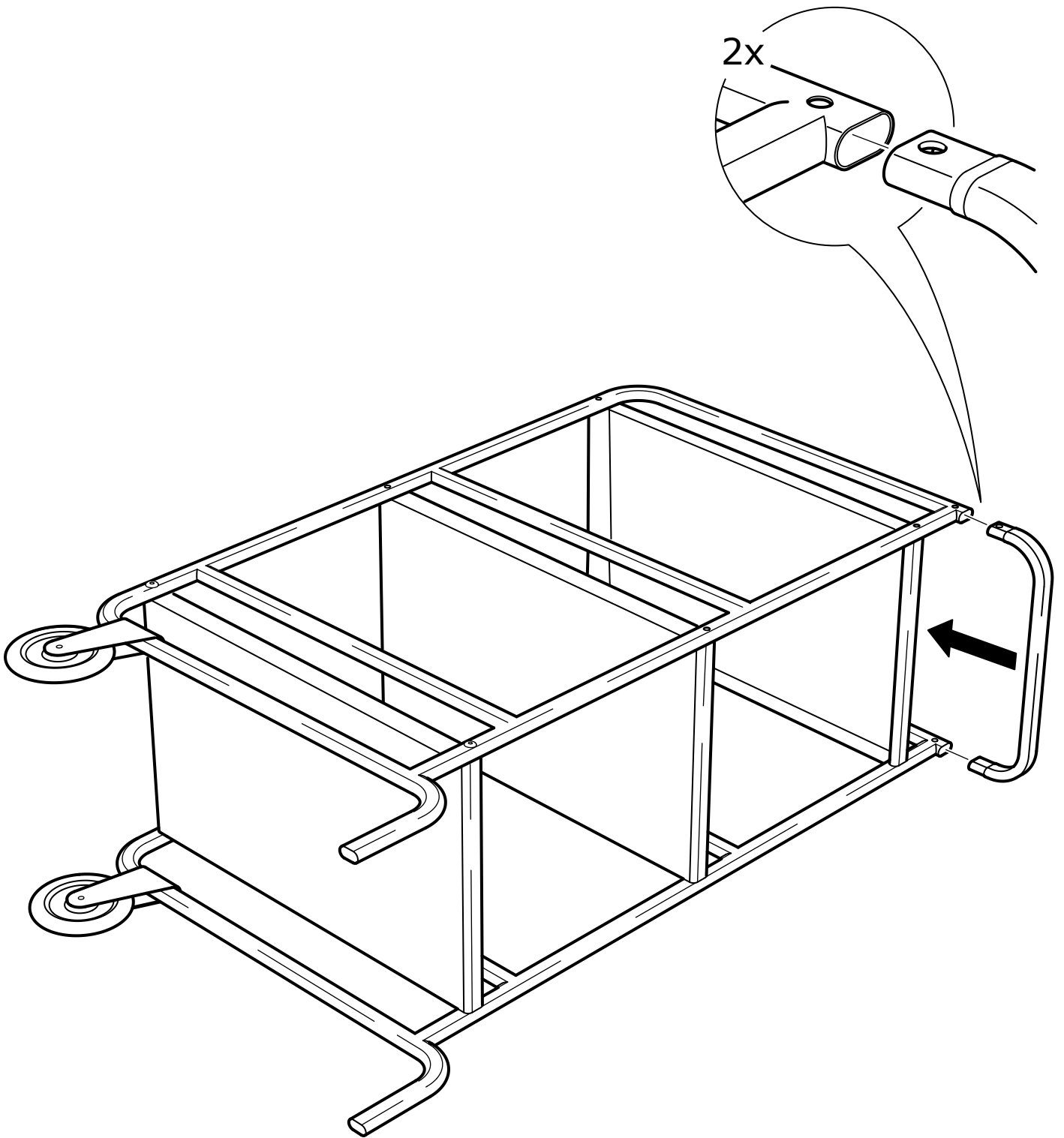
# 2



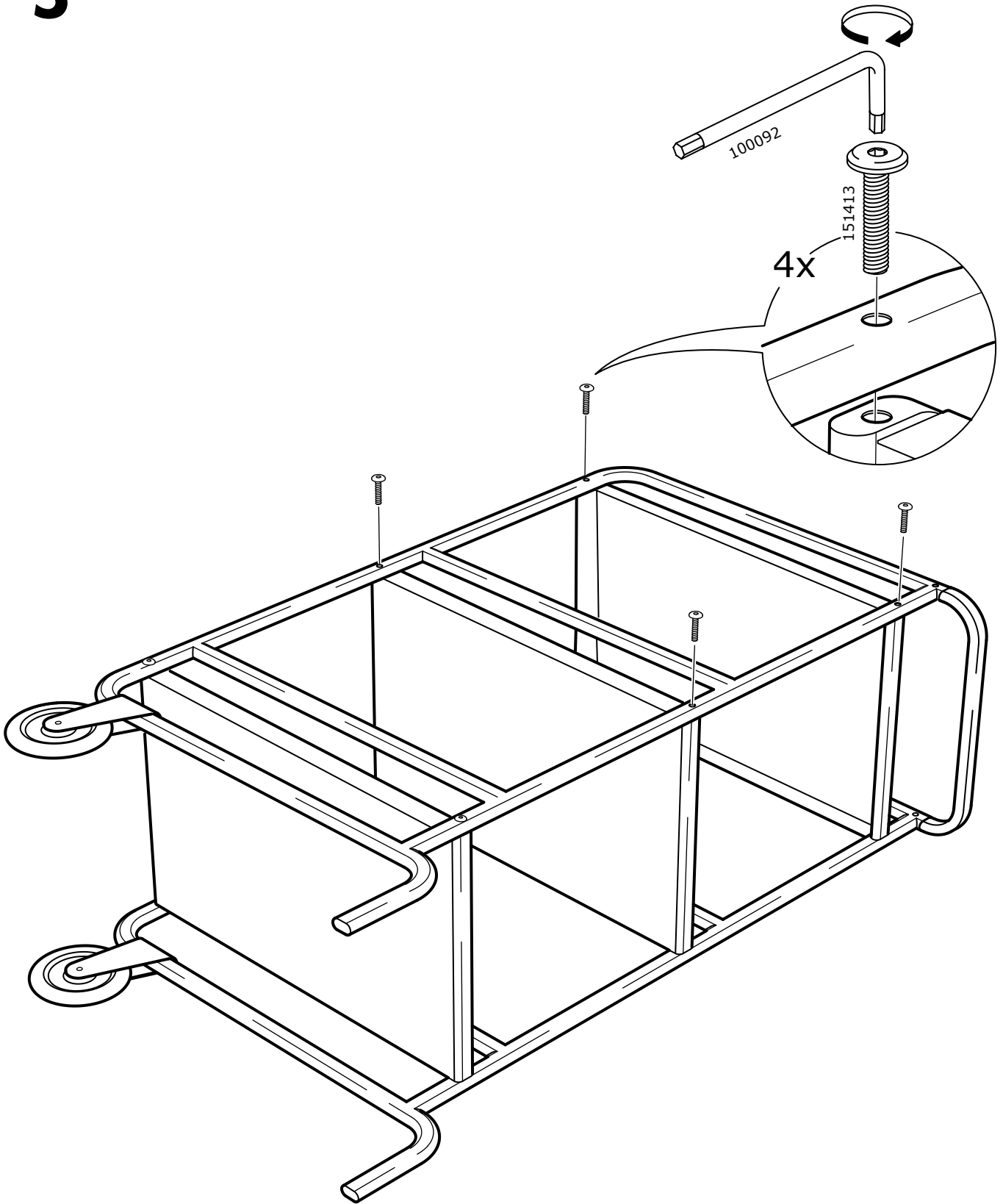
**3**



4



5



6

