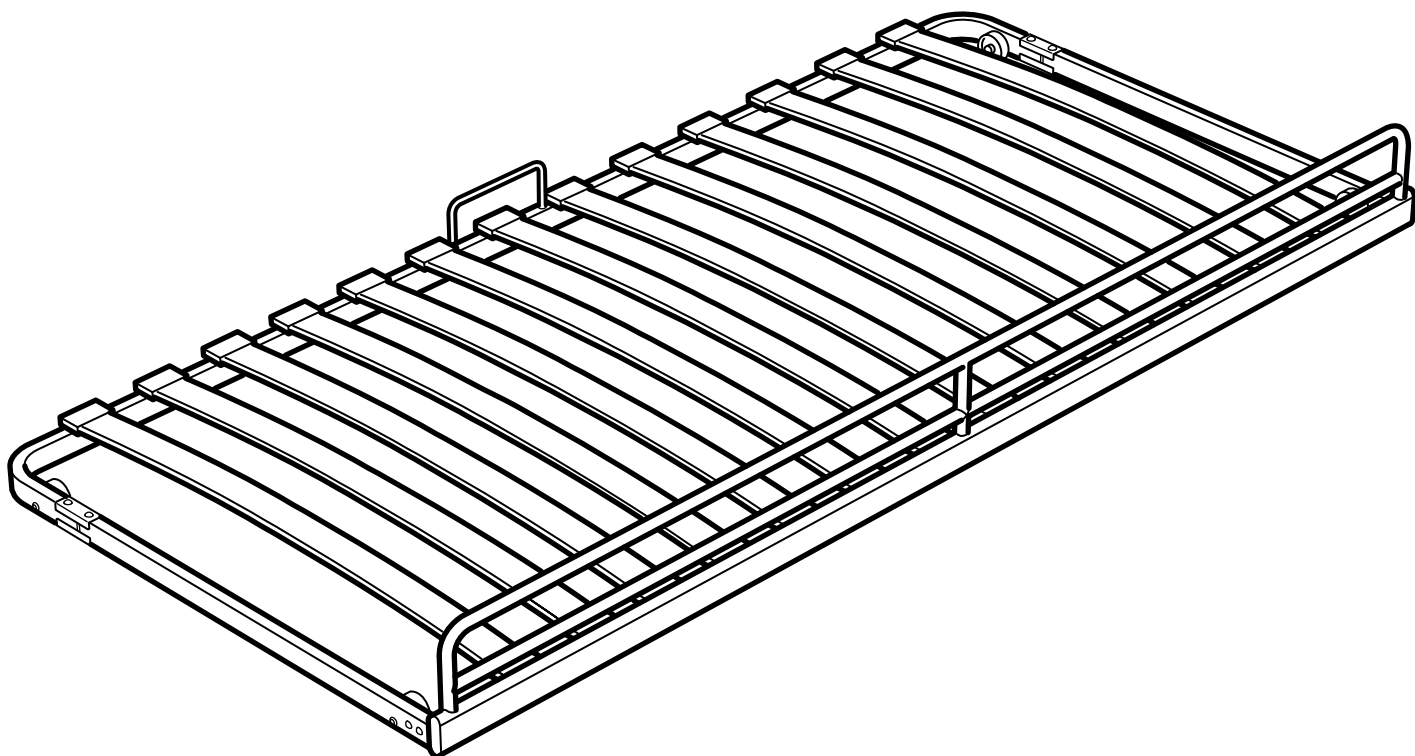
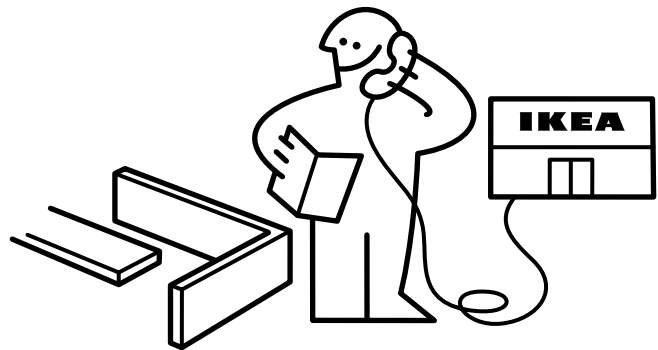
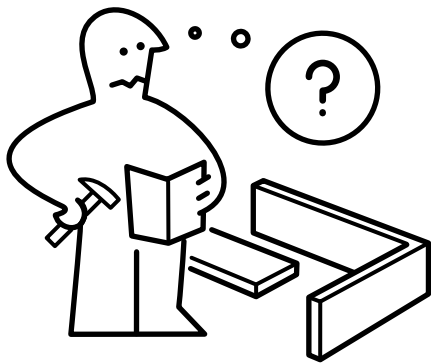
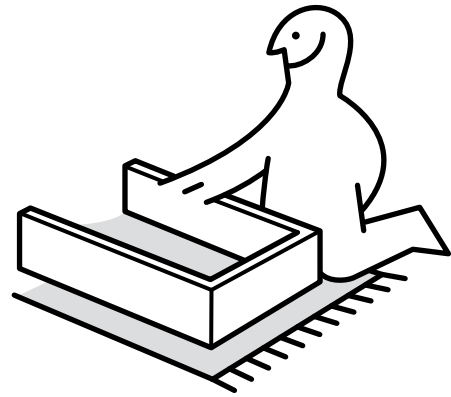
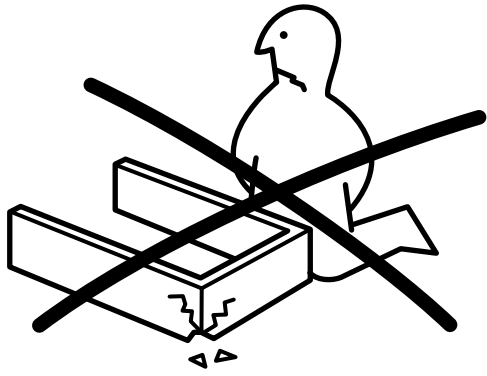
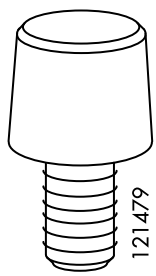


# SVÄRTA

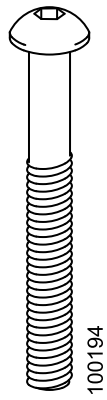


Design and Quality  
IKEA of Sweden

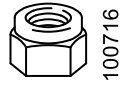




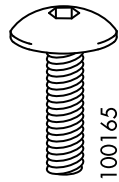
2x



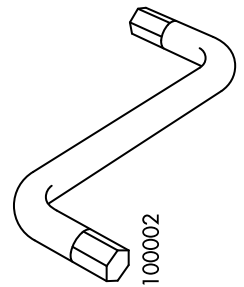
4x



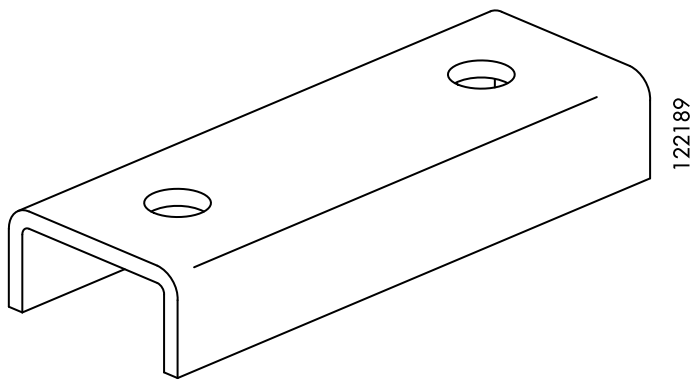
4x



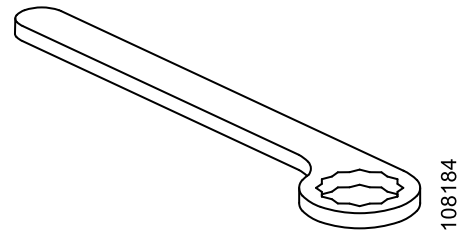
6x



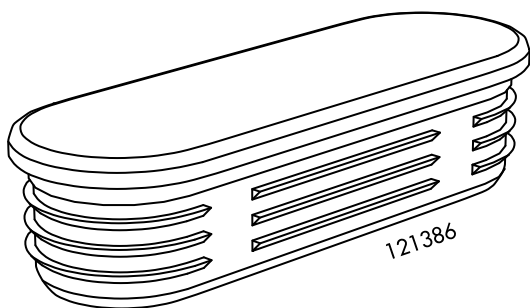
1x



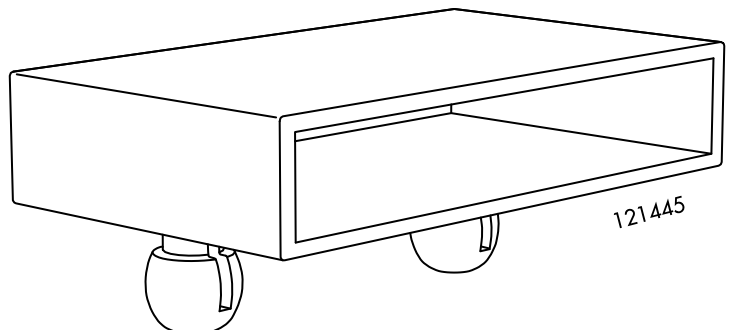
4x



1x

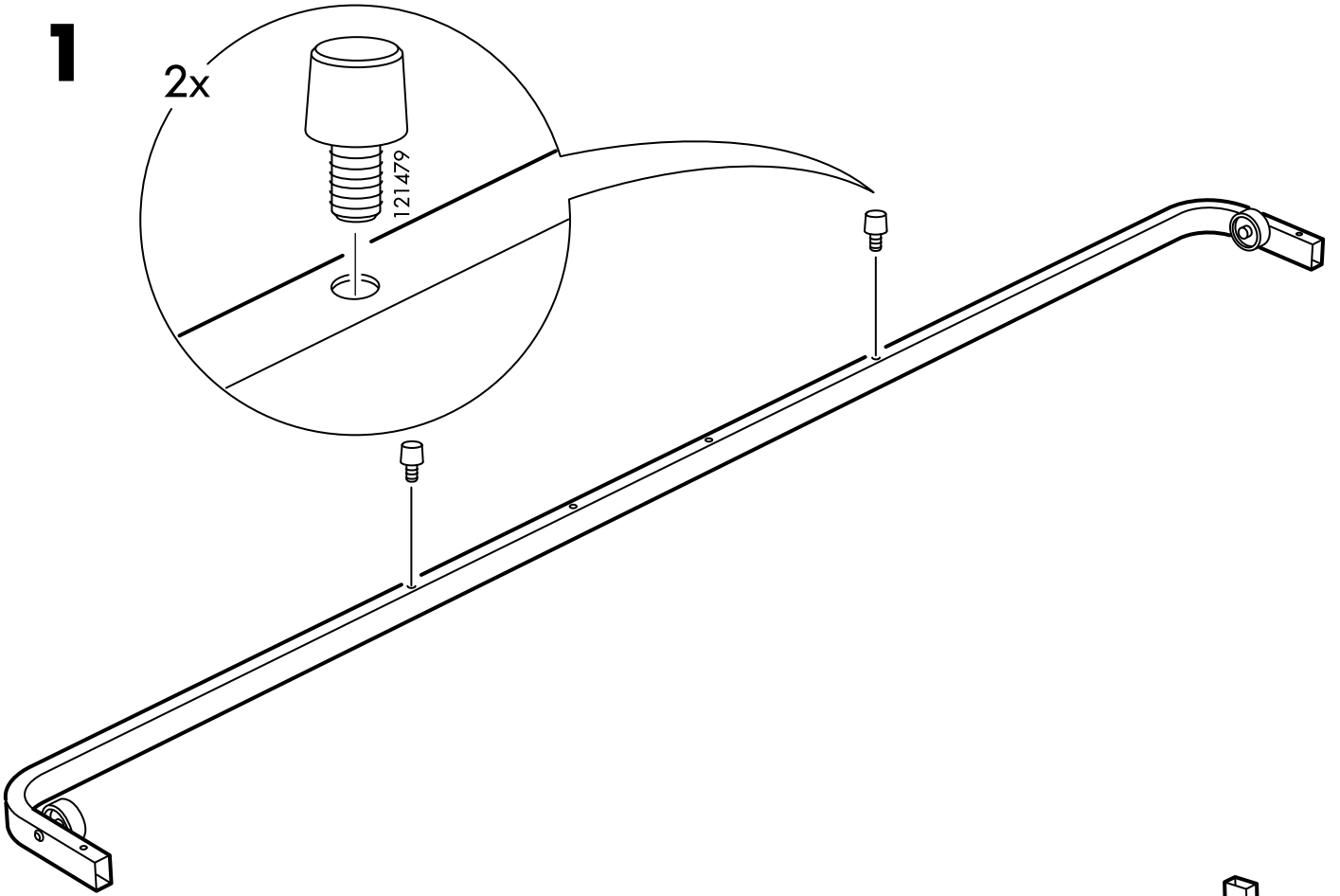


2x

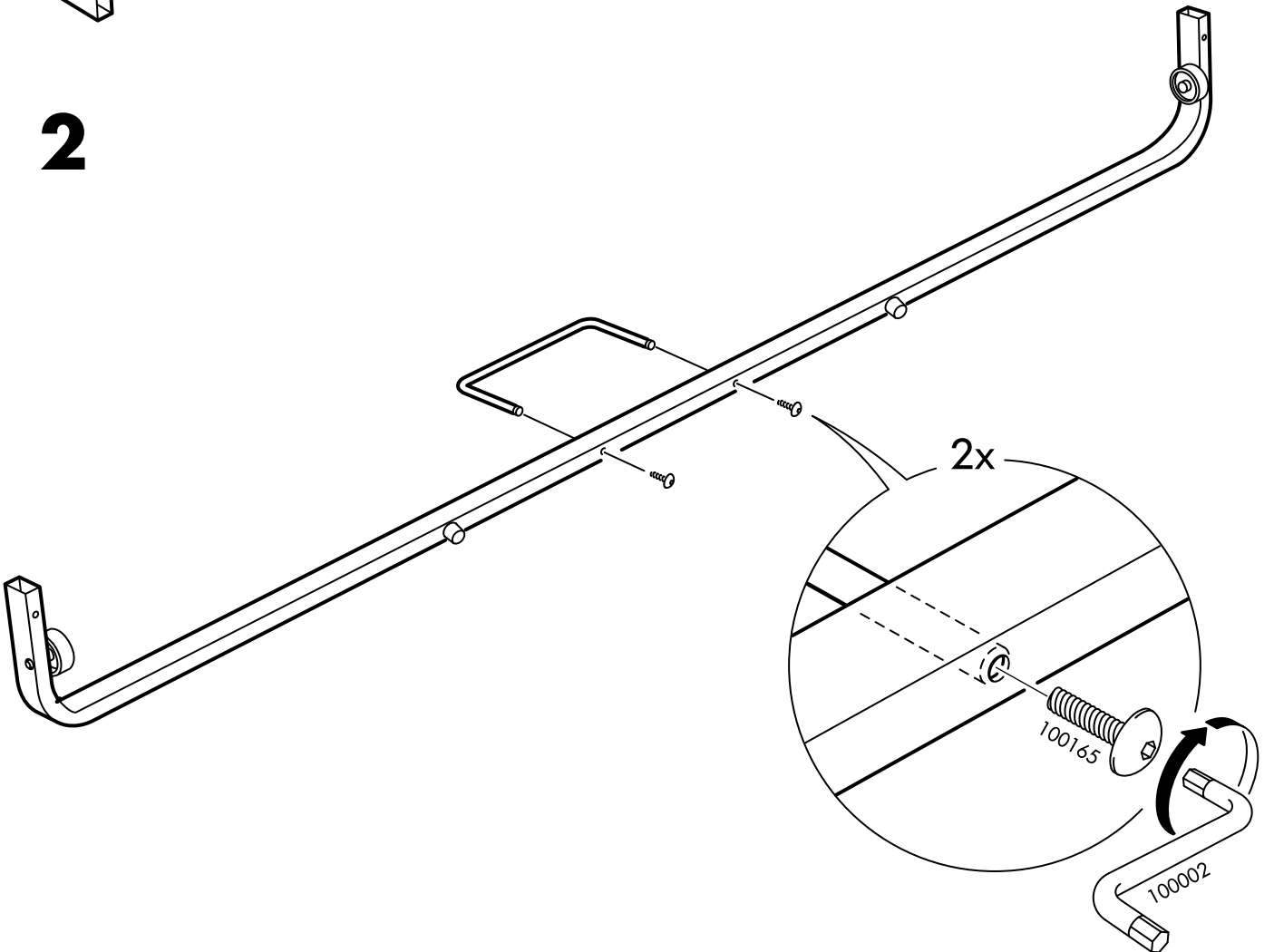


26x

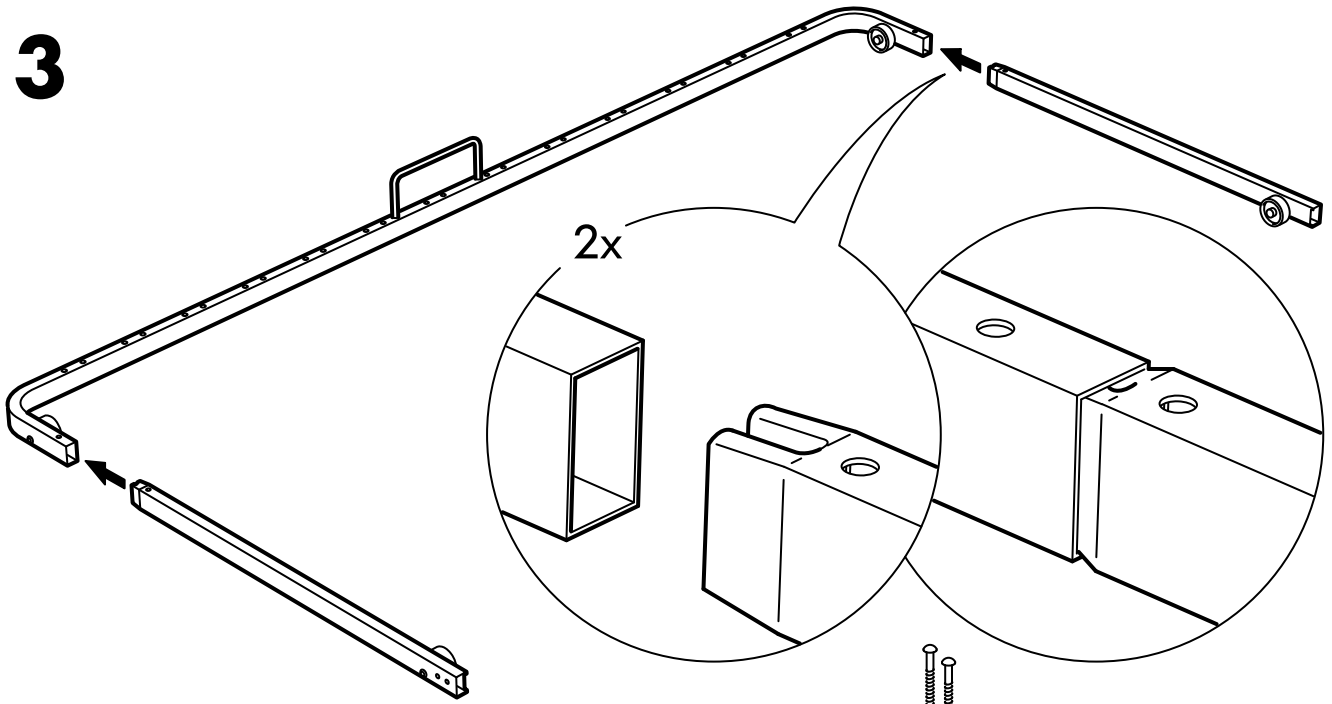
**1**



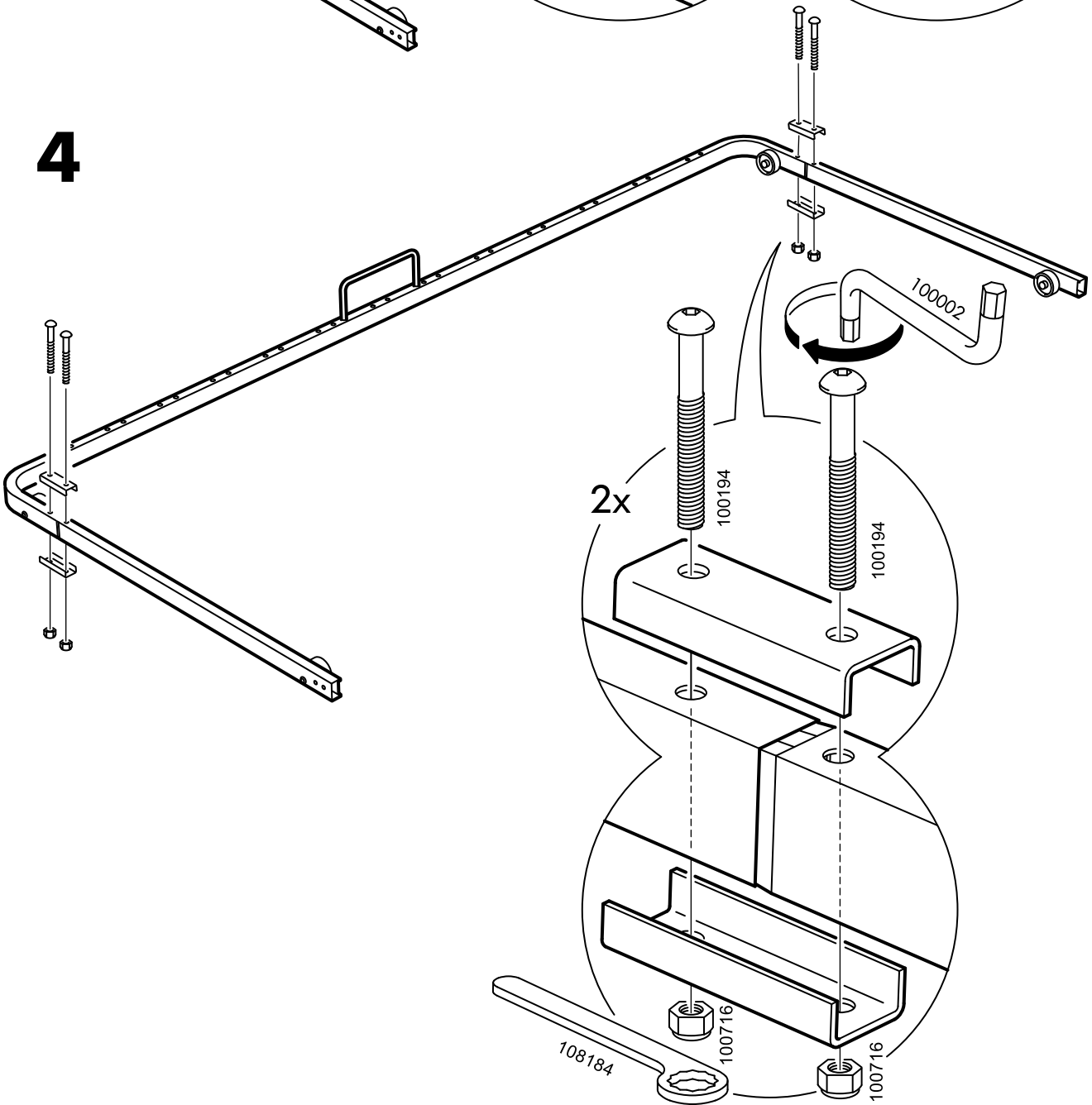
**2**



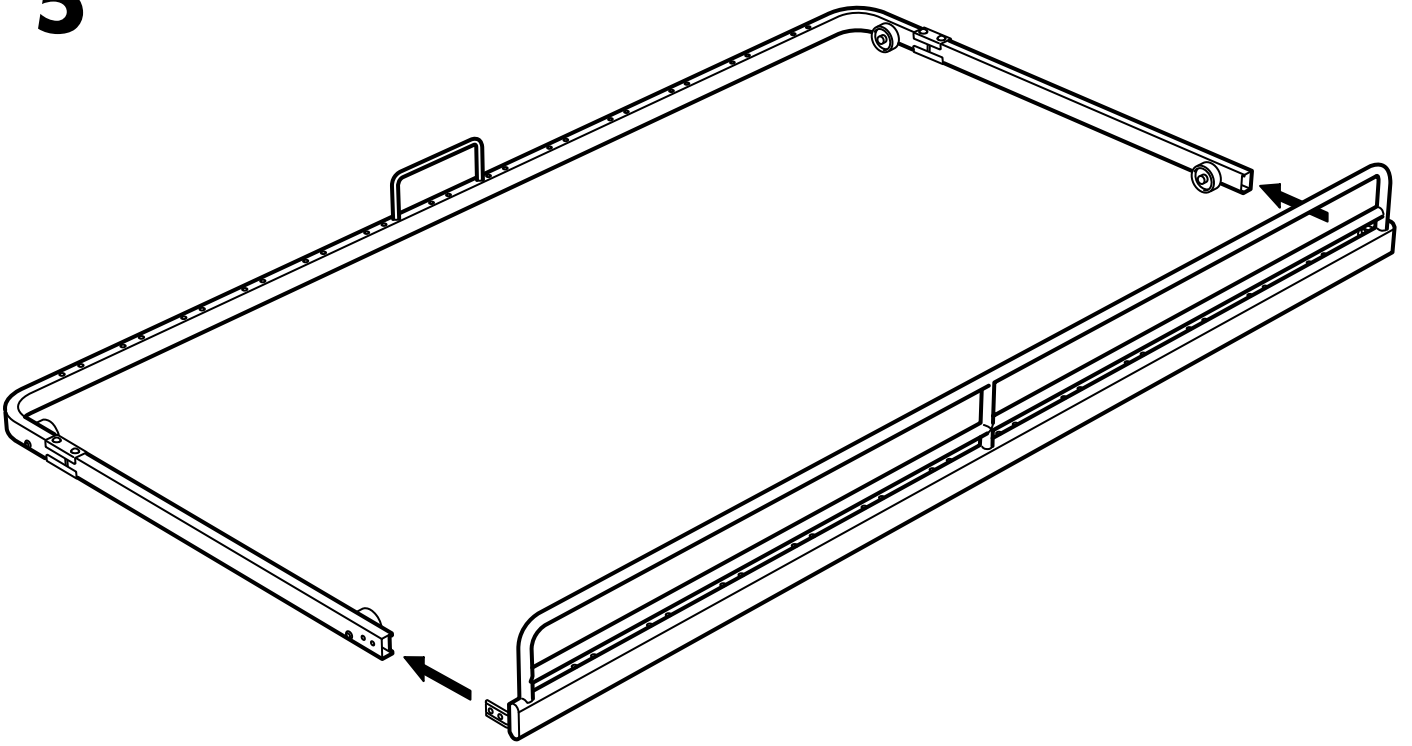
**3**



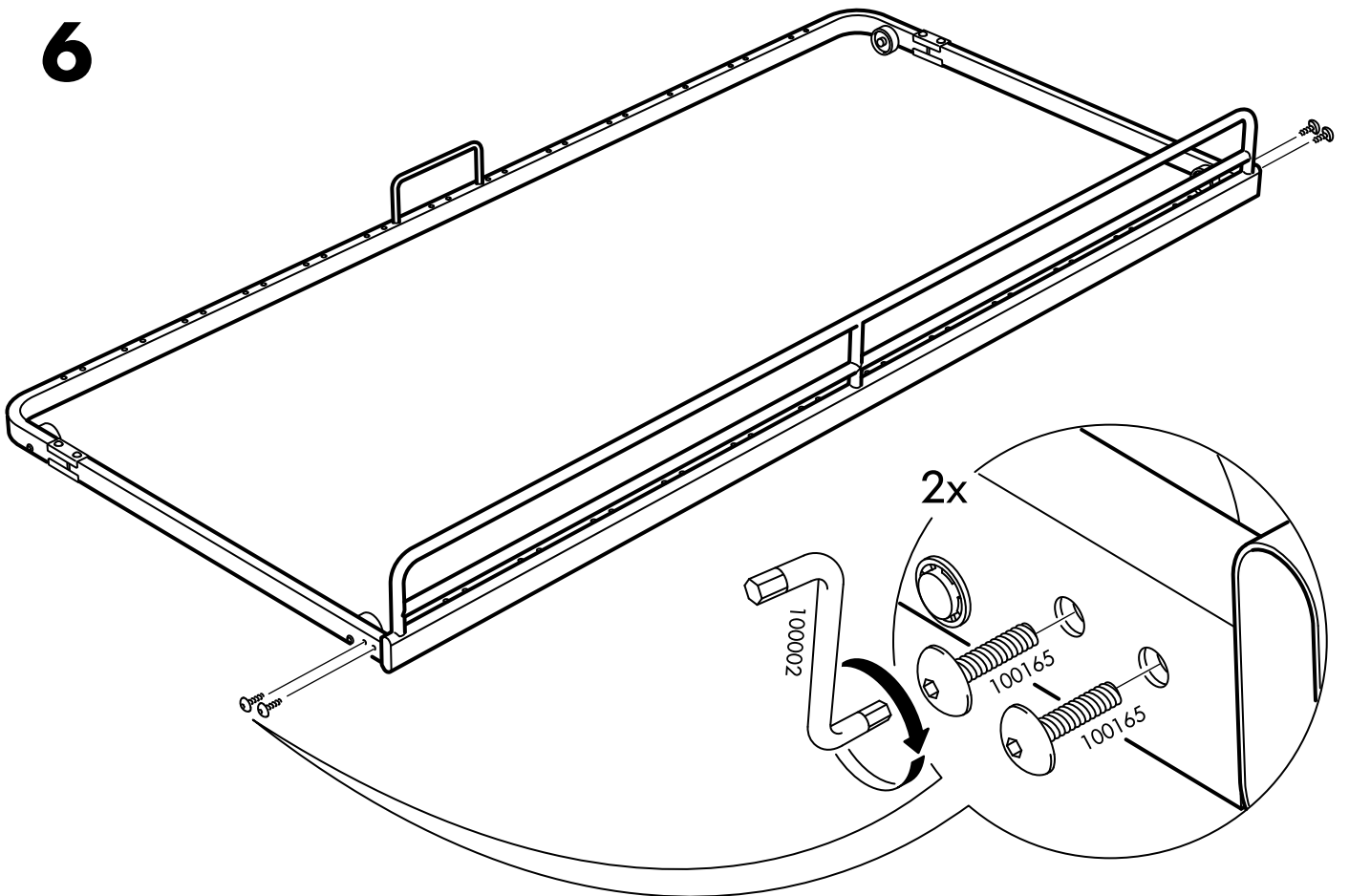
**4**



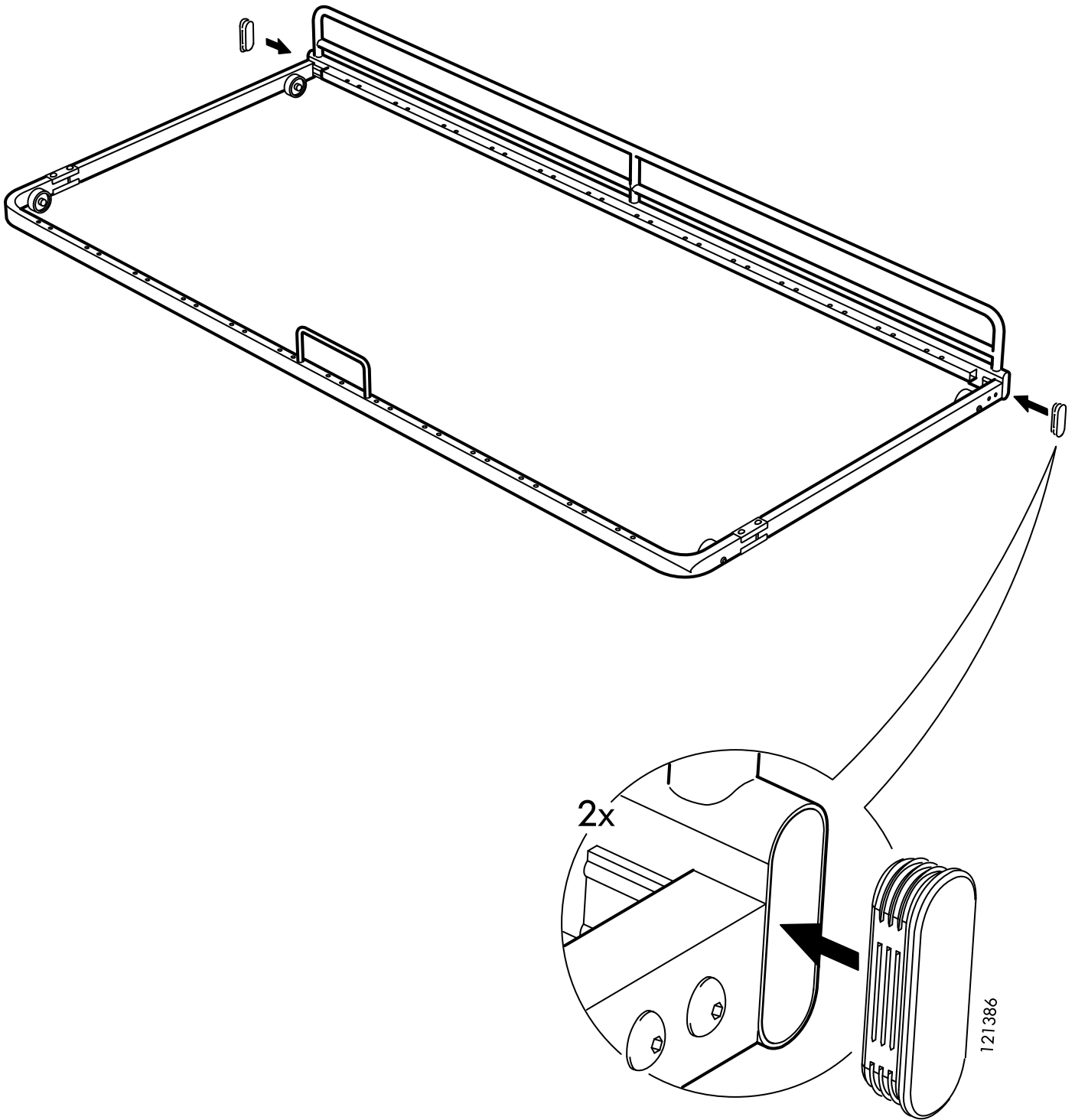
**5**



**6**



7

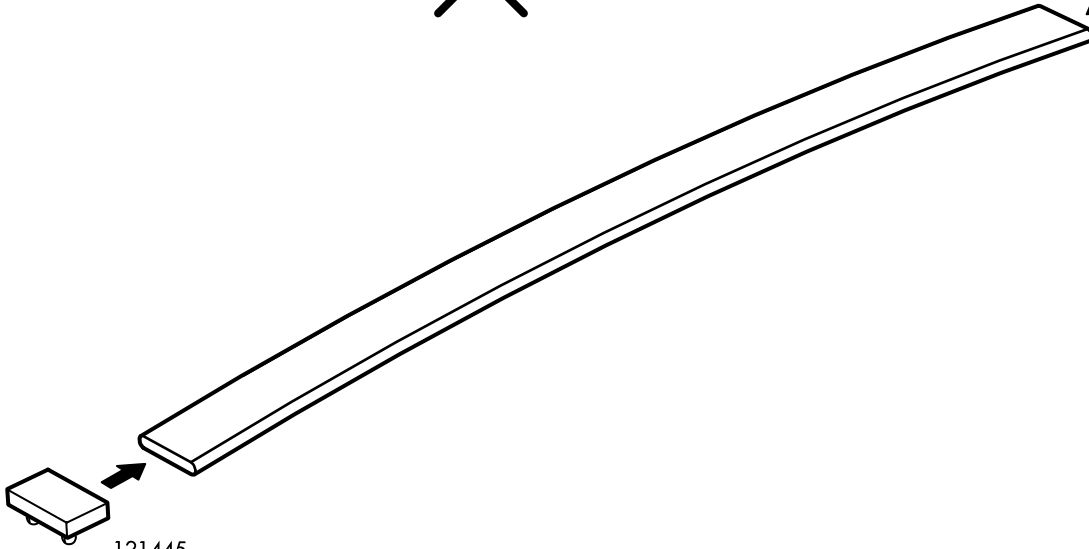


# 8

13x



121445



121445

