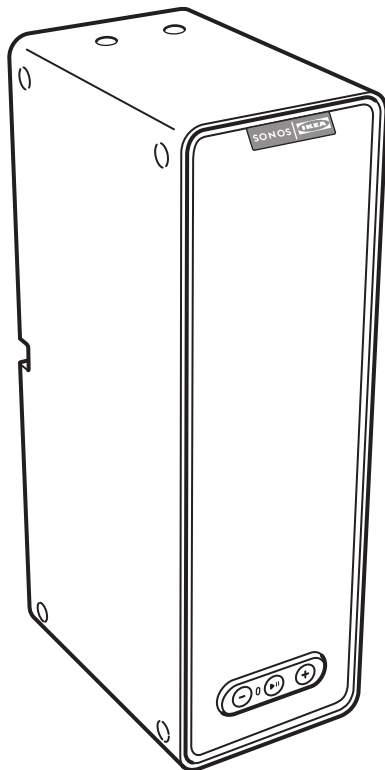


SYMFONISK



Design and Quality
IKEA of Sweden

ENGLISH 3

SVENSKA 20

SYMFONISK is a wireless speaker that works within the Sonos system and let you enjoy all the music you want all over your home

Two drivers, 3.2 in / 8 cm mid-woofer and tweeter, each with a dedicated amplifier.

Play/Pause functionality remembers the last thing you were listening to. You can even skip to the next track with a double press.

Pair two SYMFONISK for amazing stereo sound or use two SYMFONISK as rear speakers for your Sonos home theater product.

Works seamlessly with the complete range of Sonos products.

Getting started

Here's what you'll need:

- Wi-Fi—have your network name and password ready. See Sonos requirements.
- Mobile device—connected to the same Wi-Fi. You'll use this for setup.
- The Sonos app—you'll use it to set up and control your Sonos system (install it on the mobile device you're using for setup).
- A Sonos account—If you don't have an account, you'll create one during setup. See Sonos accounts for more information.

New to Sonos?

Download the app from the app store on your mobile device. Open the app and we'll guide you through setup.

Once your Sonos system is set up, you can use your computer to control the music too. Get the app at www.sonos.com/support/downloads.

For the latest system requirements and compatible audio formats, go to <https://faq.sonos.com/specs>.

Already have Sonos?

You can easily add new speakers anytime (up to 32). Just plug in the speaker and tap > Add Speakers.

If you're adding a Boost, plug it in and tap > Settings > Add Boost or Bridge.

Sonos requirements

Your Sonos speakers and the mobile device with the Sonos app need to be on the same Wi-Fi network.

Wireless setup

Setting up Sonos on your home Wi-Fi is the answer for most homes. You just need:

- High-speed DSL/cable modem (or fiber-to-the-home broadband connection).
- 2.4 GHz 802.11b/g/n wireless home network.

Note: Satellite internet access may cause playback issues.

If you ever start to experience temperamental Wi-Fi, you can easily switch to wired setup.

Wired setup

Connect a Sonos Boost or speaker to your router with an Ethernet cable if:

- Your Wi-Fi is slow, temperamental, or doesn't reach all the rooms where you want to use Sonos.
- Your network is already in high demand with streaming video and internet usage and you want a separate wireless network just for your Sonos system.
- Your network is 5 GHz only (not switchable to 2.4 GHz).
- Your router supports only 802.11n (you can't change the settings to support 802.11b/g/n).

Note: For uninterrupted playback, use an Ethernet cable to connect the computer or NAS drive that has your music library files to your router. If you want to change to wireless setup later, see Switch to wireless setup for more information.

Sonos app

The Sonos app is available for the following devices:

- iOS devices running iOS 9 and later
- Android 4.4 and higher
- macOS 10.10 and later
- Windows 7 and higher

Note: You'll set up Sonos using a mobile device, but then you can use any device to control the music.

AirPlay 2

To use AirPlay with SYMFONISK, you need a device running iOS 11.4 or later.

Supported formats

Audio formats

Support for compressed MP3, AAC (without DRM), WMA without DRM (including purchased Windows Media downloads), AAC (MPEG4), AAC+, Ogg Vorbis, Apple Lossless, Flac (lossless) music files, as well as uncompressed WAV and AIFF files.

Native support for 44.1 kHz sample rates. Additional support for 48 kHz, 32 kHz, 24 kHz, 22 kHz, 16 kHz, 11 kHz, and 8 kHz sample rates. MP3 supports all rates except 11 kHz and 8 kHz.

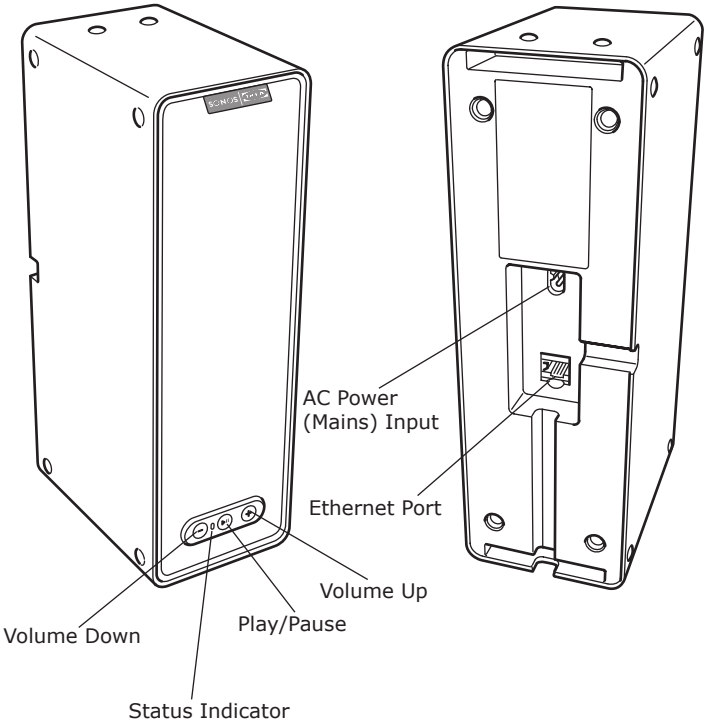
Note: Apple "FairPlay," WMA DRM and WMA Lossless formats not currently supported. Previously purchased Apple "FairPlay" DRM-protected songs may be upgraded.

Streaming services

SYMFONISK works seamlessly with most music and content services, as well as downloads from any service offering DRM-free tracks. Service availability varies by region.

For a complete list, see <https://www.sonos.com/music>.

SYMFONISK front / back



On/Off	Sonos is designed to be always on; the system uses minimal electricity whenever it is not playing music. To stop streaming audio in one room, press the Play/Pause button on the speaker.
Play/Pause	<p>Toggles between playing and pausing audio (restarts the same music source unless a different source is selected).</p> <p>Press once to start or stop streaming audio</p> <p>Press twice to skip to the next track (if applicable to the selected music source)</p> <p>Press three times to skip to the previous track (if applicable to the selected music source)</p> <p>Press and hold to add the music playing in another room.</p>
Status indicator	<p>Indicates the current status. During normal operation the white light is dimly lit. You can turn off the white light from More -> Settings -> Room Settings.</p> <p>See Status indicators for a complete list.</p>
Volume up (+) Volume down (-)	Press to adjust the volume up and down.
Ethernet port (5)	You can use an Ethernet cable (supplied) to connect the SYMFONISK to a router, computer, or additional network device such as a network- attached storage (NAS) device.
AC power (mains) input (100 - 240 VAC, 50/60 Hz)	<p>Use only the supplied power cord to connect to a power outlet (using a third-party power cord will void your warranty).</p> <p>Insert the power cord firmly into the SYMFONISK until it is flush with the bottom of the unit.</p>

Selecting a location

Place SYMFONISK on a solid stable surface. For maximum enjoyment, we have a few guidelines:

The SYMFONISK is designed to work well even when placed next to a wall or other surface.

Care should be taken if placing the SYMFONISK close to an older CRT (cathode ray tube) television. If you notice any discoloration or distortion of your picture quality, simply move the SYMFONISK further from the television.

Adding to an existing Sonos system

Once you've got your Sonos music system set up, you can easily add more Sonos products any time (up to 32).

1. Select a location for your SYMFONISK (see Selecting a location above for optimal placement guidelines.)
2. Attach the power cord to the SYMFONISK and apply power. Be sure to push the power cord firmly into the bottom of the SYMFONISK until it is flush with the bottom of the unit.

Note: If you want to make a wired connection, connect a standard Ethernet cable from your router (or a live network wall plate if you have built-in wiring) to the Ethernet port on the back of a Sonos product.

3. Choose the following options:
On a mobile device, go to **More -> Settings -> Add a Player or SUB** and follow the prompts.

Thick walls, 2.4 GHz cordless telephones, or the presence of other wireless devices can interfere with or block the wireless network signals from Sonos. If you experience difficulty after positioning a Sonos product, try one or more of the following resolutions—relocate the Sonos product; change the wireless channel your music system is operating on; connect a Sonos product to your router if your setup is currently wireless.

Tune your room with Trueplay™ *

Every room is different. With Trueplay tuning, you can put your Sonos speakers wherever you want. Trueplay analyzes room size, layout, décor, speaker placement, and any other acoustic factors that can impact sound quality. Then it literally adjusts how each woofer and tweeter produces sound in that room (works on mobile devices running iOS 8 or later).

**iPhone, iPad or iPod Touch is needed to setup Trueplay*

Go to **More -> Settings -> Room Settings**. Pick a room and tap Trueplay Tuning to get started.

Note: Trueplay tuning isn't available if VoiceOver is enabled on your iOS device. If you want to tune your speakers, first turn VoiceOver off in your device settings.

Creating a stereo pair

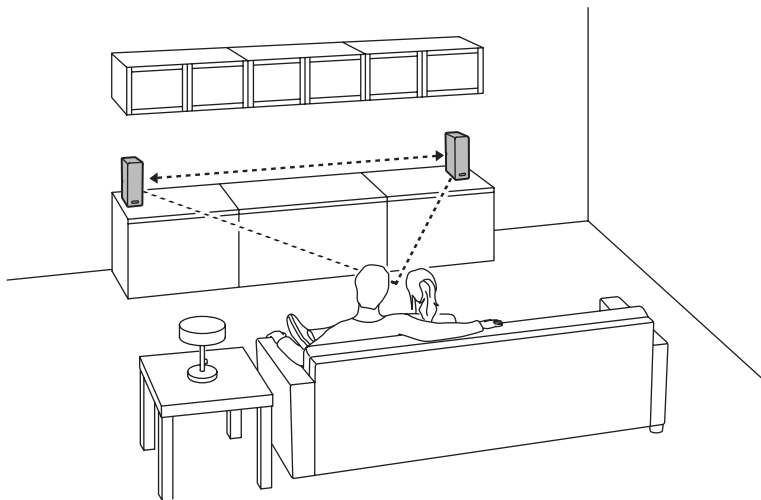
You can group two identical SYMFONISK speakers in the same room to create a wider stereo experience. In this configuration, one speaker serves as the left channel and the other serves as the right channel.

Note: The SYMFONISK speakers in the stereo pair must be the same model.

Optimum placement information

When creating a stereo pair, it is best to place the two Sonos products 8 to 10 feet away from each other.

Your favorite listening position should be 8 to 12 feet from the paired Sonos products. Less distance will increase bass, more distance will improve stereo imaging.



Using the Sonos app on a mobile device

1. Go to **More -> Settings -> Room Settings**.
2. Select a SYMFONISK to pair.
3. Select **Create Stereo Pair**, and follow the prompts to set up the stereo pair.

To separate a stereo pair:

1. Go to **More -> Settings -> Room Settings**.
2. Select the stereo pair you wish to separate (the stereo pair appears with L + R in the room name.)
3. Select **Separate Stereo Pair**.

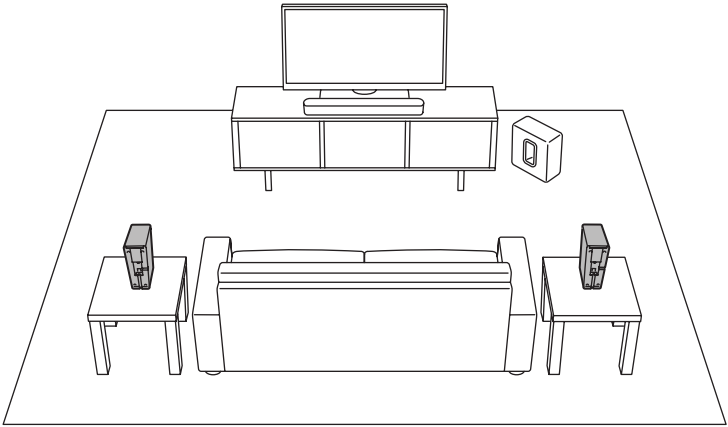
Surround speakers

Adding surround speakers

You can easily pair two speakers, such as two PLAY:5s, with a Sonos home theatre product to function as left and right surround channels in your Sonos surround sound experience. You can either configure surround speakers during the setup process, or follow the steps below to add them.

Make sure the Sonos products are the same—you cannot combine a SYMFONISK bookshelf and a SYMFONISK table lamp to function as surround speakers.

Be sure to follow these instructions to set up your surround speakers. Do not create a room group or stereo pair as these will not achieve the left and right surround channel functionality.



Using the Sonos app on a mobile device

1. Go to **More -> Settings -> Room Settings**.
2. Select the room the Sonos home theatre product is in.
3. Select **Add Surrounds**.
4. Follow the prompts to add first a left and then a right surround speaker.

Removing surround speakers

1. Go to **More -> Settings -> Room Settings**.
2. Select the room the surround speakers are in. The room name appears as Room (+LS+RS) in Room Settings.
3. Select **Remove Surrounds**.
4. Select Next to drop the surround sound speakers from your surround system. If these were newly purchased SYMFONISKs they will appear as Unused on the Rooms tab. If these SYMFONISKs existed in your household previously, they revert back to their previous state. You can now move them to another room for individual use.

Changing the surround settings

The default setting is determined by the calibration process. If you wish to make a change, you can follow the steps below.

1. Go to **More -> Settings -> Room Settings**.
2. Select the room the surround speakers are located in. It appears as Room (+LS+RS) in Room Settings.
3. Select **Advanced Audio -> Surround Settings**.
4. Choose one of the following:
 - Surrounds:** Choose On or Off to turn the sound from the surround speakers on and off.
 - TV Level:** Drag your finger across the slider to increase or decrease the volume of the surround speakers for playing TV audio.
 - Music Level:** Drag your finger across the slider to increase or decrease the volume of the surround speakers for playing music.
 - Music Playback:** Choose Ambient (default; subtle, ambient sound) or Full (enables louder, full range sound). This setting applies only to music playback, not TV audio.
 - Balance Surround Speakers (iOS):** Select Balance Surround Speakers and follow the prompts to manually balance your surround speaker levels.

Playing music

Make a selection by tapping Browse on your mobile device or by selecting a music source from the MUSIC pane on a Mac or PC.

Radio

Sonos includes a radio guide that provides immediate access to over 100,000 free pre-loaded local and international radio stations, shows and podcasts streaming from every continent.

To select a radio station, simply select **Browse -> Radio by TuneIn** and choose a station.

Music services

A music service is an online music store or online service that sells audio on a subscription basis. Sonos is compatible with several music services—you can visit our website at www.sonos.com/music for the latest list. (Some music services may not be available in your country. Please check the individual music service's website for more information.)

If you are currently subscribed to a music service that's compatible with Sonos, simply add your music service user name and password information to Sonos as needed and you'll have instant access to the music service from your Sonos system.

1. To add a music service, tap **More -> Add Music Services**.
2. Select a music service.
3. Select **Add to Sonos**, and then follow the prompts. Your login and password will be verified with the music service. As soon as your credentials have been verified, you will be able to select the music service from Browse (on mobile devices) or the MUSIC pane (on a Mac or PC).

AirPlay 2

You can use AirPlay 2 to stream music, movies, podcasts, and more directly from your favorite apps to your SYMFONISK speakers. Listen to Apple Music on your SYMFONISK. Watch a YouTube or Netflix video and enjoy the sound on SYMFONISK.

You can also use AirPlay directly from many of your favorites apps.

Equalization settings

The SYMFONISK ships with the equalization settings preset to provide the optimal playback experience. If desired, you can change the sound settings (bass, treble, balance, or loudness) to suit your personal preferences.

Note: Balance is only adjustable when the SYMFONISK is used in a stereo pair.

1. On a mobile device, go to **More -> Settings -> Room Settings**.
2. Select a room.
3. Select **EQ**, and then drag your finger across the sliders to make adjustments.
4. To change the Loudness setting, touch **On or Off**. (The loudness setting boosts certain frequencies, including bass, to improve the sound at low volume.)

I have a new router

If you purchase a new router or change your ISP (Internet service provider), you will need to restart all your Sonos products after the router is installed.

Note: If the ISP technician connects a Sonos product to the new router, you only need to restart your wireless Sonos products.

1. Disconnect the power cord from all of your Sonos products for at least 5 seconds.
2. Reconnect them one at a time, starting with the Sonos product that is connected to your router (if one is usually connected).
Wait for your Sonos products to restart. The status indicator light will change to solid white on each product when the restart is complete.

If your Sonos setup is completely wireless (you don't keep a Sonos product connected to your router), you will also need to change your wireless network password. Follow the steps below:

1. Temporarily connect one of your Sonos speakers to the new router with an Ethernet cable.
2. Go to **More -> Settings -> Advanced Settings -> Wireless Setup**. Sonos will detect your network.
3. Enter the password for your wireless network.
4. Once the password is accepted, unplug the speaker from your router and move it back to its original location.

I want to change my wireless network password

If your Sonos system is set up wirelessly and you change your wireless network password, you will also need to change it on your Sonos system.

1. Temporarily connect one of your SYMFONISK speakers to your router with an Ethernet cable.
2. Choose one of the following:
 - Using the Sonos app on a mobile device**, go to More -> Settings -> Advanced Settings -> Wireless Setup.
 - Using the Sonos app on a PC**, go to Settings -> Advanced from the Manage menu. On the General tab, select Wireless Setup.
 - Using the Sonos app on a Mac**, go to Preferences -> Advanced from the Sonos menu. On the General tab, select Wireless Setup.
3. Enter the new wireless network password when prompted.
4. Once the password is accepted, you can unplug the speaker from your router and move it back to its original location.

Reset your SYMFONISK speaker

This process will delete registration information, content saved to My Sonos, and music services from your SYMFONISK speaker. This is commonly done before transferring ownership to another person. Your Sonos app may also recommend that you go through this process if it can't find your product during setup. If you wish to erase data from multiple SYMFONISK speakers, you will need to perform these steps on each of them.

Resetting all products within your system will permanently delete your system's data. It cannot be restored.

1. Unplug the power cord.
2. Press and hold the ►|| Play/Pause button while you reconnect the power cord.
3. Continue holding the button until the light flashes orange and white.
4. The light will flash green when the process is complete and the product is ready to be set up.

Indicator Lights	Status	Additional Information
Flashing white	Powering up.	
Solid white (dimly lit)	Powered up and associated with a Sonos system (normal operation).	You can turn the white status indicator light on or off from More -> Settings -> Room Settings. (Sonos products that are paired together share the same setting.)
Flashing green	Powered up, not yet associated with a Sonos system. Or WAC (wireless access configuration) join read.	For a SUB, this may indicate the SUB is not yet paired with a speaker.
Slowly flashing green	Surround audio is off or SUB audio is off.	Applicable for speaker configured as a surround speaker, or for a SUB paired with a PLAYBAR.
Solid green	Volume set to zero or muted.	
Flashing orange	During SonosNet setup, this occurs after a button press while the product is searching for a household to join.	
Rapidly flashing orange	Playback / Next Song failed.	Indicates either playback or next song was not possible.
Solid orange	During wireless setup, this occurs while the Sonos open access point is temporarily active. If you are not setting up Sonos, this may indicate warning mode.	If the orange light is on AND the speaker's volume level automatically reduces, this indicates the speaker is in warning mode. Press the Pause button to stop the audio.
Flashing green and white	Speakers are being linked to your Sonos account.	Link the speaker(s) to your account. For more information, see http://faq.sonos.com/accountlink .
Flashing red and white	Speaker repartitioning failed.	Please contact Customer Care.
Flashing red	Speaker setup timed out. This happens if a speaker is plugged in for 30 minutes without being set up.	Unplug the speaker, wait 10 seconds, plug it back in, and set it up.

Important safety information**CARE INSTRUCTIONS**

To clean the speaker, wipe with a soft moistened cloth. Use another soft, dry cloth to wipe dry.

RF EXPOSURE INFORMATION

According to RF exposure regulations, under normal operations the end user shall refrain from being closer than 20 cm from the device.



The crossed-out wheeled bin symbol indicates that the item should be disposed of separately from household waste. The item should be handed in for recycling in accordance with local environmental regulations for waste disposal. By separating a marked item from household waste, you will help reduce the volume of waste sent to incinerators or land-fill and minimize any potential negative impact on human health and the environment. For more information, please contact your IKEA store.

Specifications

Feature	Description
Audio	
Amplifier	Two Class-D digital amplifiers
Tweeter	One tweeter creates a crisp and accurate high frequency response
Mid-Woofer	One mid-woofer ensures the faithful reproduction of mid-range frequencies crucial for accurate playback of vocals and instruments, as well as delivery of deep, rich bass
Stereo Pair setting	Turns two SYMFONISks into separate left and right channel speakers
5.1 Home Theater	Add two SYMFONISK speakers to a Sonos home theatre
Music	
Audio Formats Supported	Support for compressed MP3, AAC (without DRM), WMA without DRM (including purchased Windows Media downloads), AAC (MPEG4), AAC+, Ogg Vorbis, Apple Lossless, Flac (lossless) music files, as well as uncompressed WAV and AIFF files. Native support for 44.1kHz sample rates. Additional support for 48kHz, 32kHz, 24kHz, 22kHz, 16kHz, 11kHz, and 8kHz sample rates. MP3 supports all rates except 11kHz and 8kHz. Note: Apple "FairPlay", WMA DRM and WMA Lossless formats not currently supported. Previously purchased Apple "FairPlay" DRM-protected songs may be upgraded.
Music Services Supported	Sonos works seamlessly with most music services, including Apple Music™, Deezer, Google Play Music, Pandora, Spotify and Radio by TuneIn, as well as downloads from any service offering DRM-free tracks. Service availability varies by region. For a complete list, see http://www.sonos.com/music .
Internet Radio Supported	Streaming MP3, HLS/AAC, WMA
Album Art Supported	JPEG, PNG, BMP, GIF
Playlists Supported	Rhapsody, iTunes, WinAmp, and Windows Media Player (.m3u, .pls, .wpl)

Networking*

Wireless Connectivity	Connects to your home Wi-Fi network with any 802.11 b/g/n router. 802.11n only network configurations are not supported—you can either change the router settings to 802.11 b/g/n or connect a Sonos product to your router.
SonosNet™ Extender	Functions to extend and enhance the power of SonosNet, a secure AES encrypted, peer-to-peer wireless mesh network dedicated exclusively for Sonos to reduce Wi-Fi interference.
Ethernet Port	One 10/100Mbps Ethernet port allows a connection to your network or to other Sonos speakers.

General

Power Supply	100 - 240 VAC, 50/60 Hz, auto-switchable
Buttons	Volume and Play/Pause. Press Play/Pause button once to start or stop the music; twice to skip to the next track
LED	Indicates SYMFONISK status
Dimensions (H x W x D)	310 x 100 x 150 (mm)
Weight	2800 g
Operating Temperature	32° to 104° F (0° to 40° C)
Storage Temperature	4° to 158° F (-20° to 70° C)

*Specifications subject to change without notice.

SYMFONISK är en trådlös högtalare som fungerar inom Sonos-systemet och låter dig njuta av all musik du vill, överallt i ditt hem.

Två drivare, 3,2 i (8 cm) mid-woofer och diskant-högtalare, var och en med en dedikerad förstärkare.

Play/Paus-funktionen kommer ihåg det sista du lyssnade på. Du kan till och med hoppa till nästa spår med en dubbeltryckning.

Koppla ihop två SYMFONISK för fantastiskt stereoljud eller använd två SYMFONISK som bakre högtalare i ett Sonos hemmabiosystem.

Fungerar med hela sortimentet av Sonos-produkter.

Komma igång

Det här behöver du:

- Wifi – ha ditt nätverksnamn och lösenord redo. Se Sonos-krav.
- Mobil enhet – ansluten till samma wifi. Du använder det för installationen.
- Sonos-appen – du använder den för att installera och styra ditt Sonos-system (installera den på den mobila enhet som du använder vid installationen).
- Ett Sonos-konto – om du inte har ett konto skapar du ett under installationen. Se Sonos-konton för mer information.

Är Sonos nytt för dig?

Ladda ner appen från appbutiken på din mobila enhet. Öppna appen så guidar vi dig genom installationen.

När ditt Sonos-system är installerat kan du även använda datorn för att styra musiken. Hämta appen på www.sonos.com/support/downloads.

För de senaste systemkraven och kompatibla ljudformaten, gå till <https://faq.sonos.com/specs>.

Har du redan Sonos?

Du kan enkelt lägga till nya högtalare när som helst (upp till 32). Anslut bara högtalaren och tryck på > Lägg till högtalare.

Om du lägger till en Boost ansluter du den och trycker på > Inställningar > Lägg till Boost eller Bridge.

Krav för Sonos

Dina Sonos-högtalare och den mobila enheten med Sonos-appen måste vara inloggade på samma wifi-nätverk.

Trådlös installation

I de flesta hem är det enklast att installera Sonos på det trådlösa nätverket i hemmet. Allt du behöver är:

- Höghastighets-ADSL/kabelmodem (eller bredbandsanslutning via fiber till hemmet).
- 2,4 GHz 802.11b/g/n trådlöst hemmanätverk.

Observera: Internetåtkomst via satellit kan leda till uppspelningsproblem. Om ditt trådlösa nätverk blir opålitligt kan du enkelt gå över till trådbunden installation.

Trådbunden installation

Anslut en Sonos Boost eller högtalare till routern med en nätverkskabel om:

- Ditt wifi är långsamt, opålitligt eller inte når alla rum där du vill använda Sonos.
- Nätverket redan utsätts för stor belastning genom videostreaming och internetanvändning och du vill skapa ett separat trådlöst nätverk enbart för Sonos-systemet.
- Ditt nätverk är endast 5 GHz (går inte att växla till 2,4 GHz).
- Routern stöder endast 802.11 n (du kan inte ändra inställningarna för att stödja 802.11 b/g/n).

Obs: för oavbruten uppspelning, använd nätverkskabel för att ansluta dator eller NAS-enhet som har dina musikbiblioteksfiler till routern. Om du vill ändra till trådlös installation senare, se Växla till trådlös installation för mer information.

Sonos-appen

Sonos-appen är tillgänglig för följande enheter:

- iOS-enheter som använder iOS 9 och senare.
- Android 4,4 och högre.
- macOS 10,10 och senare.
- Windows 7 och senare.

Obs: Du installerar Sonos med en mobil enhet, men sedan kan du använda vilken enhet som helst för att styra musiken.

AirPlay 2

Om du vill använda AirPlay med SYMFONISK behöver du en enhet som använder iOS 11.4 eller senare.

Format som stöds

Ljudformat

Stöd för komprimerad MP3, AAC (utan DRM), WMA utan DRM (inklusive köpta Windows Media downloads), AAC (MPEG4), AAC +, OGG Vorbis, Apple Lossless, FLAC (lossless) musikfiler, samt okomprimerade WAV och AIFF-filer.

Inbyggt stöd för 44,1 kHz samplingsfrekvenser. Ytterligare stöd för 48 kHz, 32 kHz, 24 kHz, 22 kHz, 16 kHz, 11 kHz och 8 kHz samplingsfrekvenser. MP3 stöder alla hastigheter utom 11 kHz och 8 kHz.

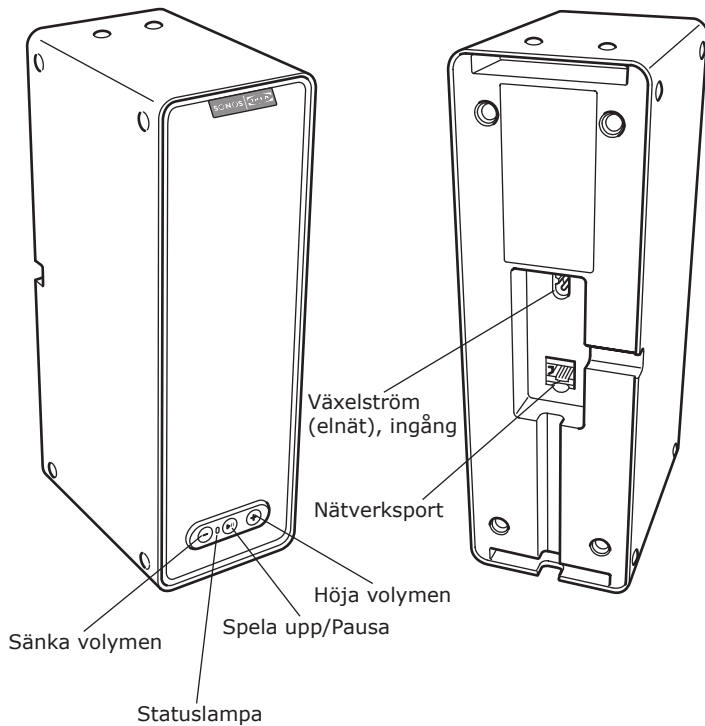
Obs: Apple "FairPlay," WMA DRM-och WMA Lossless-format stöds inte för närvarande. Tidigare inköpta Apple "FairPlay" DRM-skyddade låtar kan uppgraderas.

Streamingtjänster

SYMFONISK fungerar med de flesta musik- och innehållstjänster, samt hämtningar från alla tjänster som erbjuder DRM-fria spår. Tjänstens tillgänglighet varierar beroende på region.

En fullständig lista finns på <https://www.sonos.com/music>.

SYMFONISK fram- / baksida



- På/Av** Sonos är utformat för att alltid vara på; systemet använder minimalt med elektricitet när det inte spelar musik. Om du vill sluta streama ljud i ett rum trycker du på knappen Spela upp/Pausa på högtalaren.
- Spela upp/Pausa** Växlar mellan att spela upp och pausa ljud (startar om samma musikkälla om inte en annan källa har valts).
Tryck en gång för att starta eller stoppa strömmande ljud.
Tryck två gånger för att hoppa till nästa spår (om tillämpligt för den valda musikkällan).
Tryck tre gånger för att hoppa till föregående spår (om tillämpligt för den valda musikkällan).
Tryck och håll ned för att lägga till musiken som spelas i ett annat rum.
- Statuslampan** Visar aktuell status. Vid normal drift lyser det vita ljuset svagt. Du kan stänga av den vita lampan från Mer-> Inställningar-> Rumsinställningar. Se Statuslampa för en fullständig lista.
- Volym upp (+)
Volym ned (-)** Tryck för att justera volymen uppåt och nedåt.
- Nätverksport** Du kan använda en nätverkskabel (medföljer) för att ansluta SYMFONISK till en router, dator eller ytterligare nätverksenhet, till exempel en nätverksansluten lagringsenhet (NAS).
- Växelström (elnät),
ingång
(100-240 VAC, 50/60 Hz)** Använd endast den medföljande strömsladden för att ansluta till eluttag (att använda en strömsladd från en annan tillverkare upphäver din garanti). Sätt i strömsladden ordentligt i SYMFONISK tills den är i jämnhöjd med enhetens undersida.

Välja en plats

Placera SYMFONISK på en fast och stabil yta. För att du ska kunna njuta fullt ut har vi några riktlinjer:

SYMFONISK är konstruerad för att fungera bra även när den placeras intill en vägg eller annan yta.

Försiktighet bör iakttas vid placering av SYMFONISK nära en äldre CRT-tv (katodstrålerör). Om du märker någon missfärgning eller förvrängning av din bildkvalitet, flytta SYMFONISK längre från tv:n.

Lägga till i ett befintligt Sonos-system

När du har installerat ditt Sonos-musiksystem kan du enkelt lägga till fler Sonos-produkter när som helst (upp till 32).

1. Välj en plats för din SYMFONISK (se Välja en plats ovan för bästa placeringsriktlinjer.)
2. Anslut strömsladden till SYMFONISK och sätt på strömmen. Var noga med att trycka in strömsladden ordentligt i botten på SYMFONISK tills den är i jämnhöjd med enhetens undersida.

Obs: Om du vill göra en trådbunden anslutning, ansluter du en standardnätverkskabel från routern (eller en nätverkspanel om du har inbyggda ledningar) till nätverksporten på baksidan av en Sonos-produkt.

3. Välj ett av följande alternativ:

På en mobil enhet går du till **Mer-> Inställningar-> Lägg till en spelare eller SUB** och följ anvisningarna.

Tjocka väggar, 2,4 GHz sladdlösa telefoner eller närvaron av andra trådlösa enheter kan störa eller blockera trådlösa nätverkssignaler från Sonos. Om du får problem efter att ha placerat en Sonos-produkt kan du prova en eller flera av följande lösningar — flytta på Sonos-produkten; ändra den trådlösa kanal som ditt musiksystem använder; ansluta en Sonos-produkt till routern om din installation är trådlös.

Finjustera ditt rum med Trueplay™ *

Alla rum är olika. Med Trueplay-justering kan du placera dina Sonos-högtalare var du vill. Trueplay analyserar rummets storlek, planlösning, inredning, högtalarplacering och andra akustiska faktorer som kan påverka ljudkvaliteten. Sedan justerar den hur varje woofer och diskant-högtalare producerar ljud i det rummet (fungerar på mobila enheter som använder iOS 8 eller senare).

** iPhone, iPad eller iPod touch behövs för att installera Trueplay.*

Gå till **Mer-> Inställningar-> Rumsinställningar. Välj ett rum** och tryck på Trueplay-justering för att komma igång.

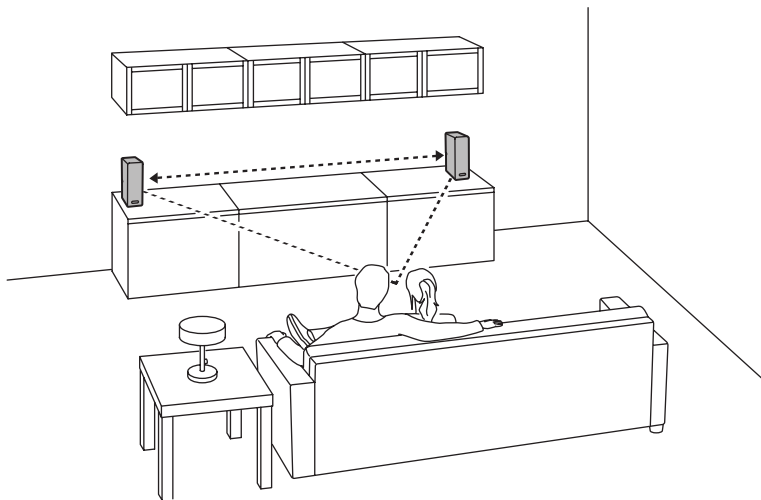
Skapa ett stereopar

Du kan kombinera två identiska SYMFONISK högtalare i samma rum för att skapa en bredare stereoupplevelse. I den här installationen fungerar en högtalare som vänster kanal och den andra fungerar som höger kanal.

Obs: SYMFONISK högtalarna i stereoparet måste vara av samma modell.

Optimal placering

När du skapar ett stereopar är det bäst att placera de två Sonos-produkterna på 2,5 till 3 meters avstånd från varandra. Den plats där du föredrar att lyssna bör vara 2,5 till 3,5 meter från de ihopkopplade Sonos-produkterna. Mindre avstånd kommer att öka basen, mer avstånd kommer att förbättra stereoavbildningen.



Använda Sonos-appen på en mobil enhet

1. Gå till **Mer-> Inställningar-> Rumsinställningar**.
2. Välj en SYMFONISK att koppla.
3. Välj **Skapa stereopar** och följ anvisningarna för att ställa in stereoparet.

Så här separerar du ett stereopar:

1. Gå till **Mer-> Inställningar-> Rumsinställningar**.
2. Välj det stereopar som du vill separera (stereoparet visas med V + H i rumsnamnet.)
3. Välj **Separera stereopar**.

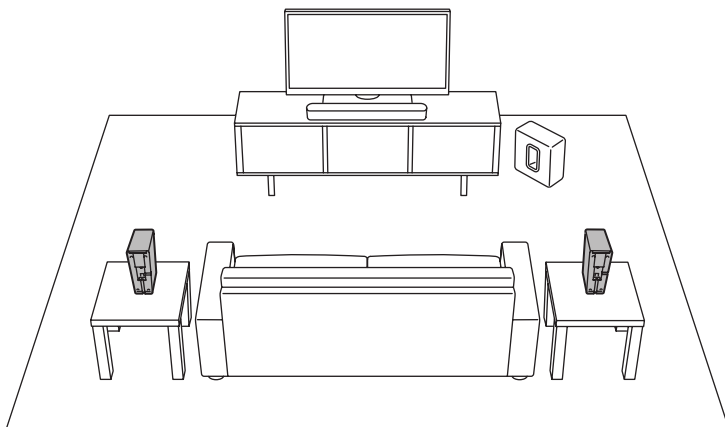
Surroundhögtalare

Lägga till surroundhögtalare

Du kan enkelt kopplaihop två högtalare, till exempel två PLAY:5 med en Sonos-hemmabioprodukt för att fungera som vänster och höger surroundkanaler i din Sonos-surround-lösning. Du kan antingen konfigurera surroundhögtalarna under installationsprocessen, eller följa stegen nedan för att lägga till dem.

Se till att Sonos-produkterna är desamma – du kan inte kombinera en SYMFONISK bokhylle- och en SYMFONISK bordlamps-högtalare för att fungera som surroundhögtalare.

Följ de här anvisningarna för att ställa in surroundhögtalarna. Skapa inte en rumsgrupp eller ett stereopar, eftersom dessa inte kommer att fungera som vänster och höger surroundkanal.



Använda Sonos-appen på en mobil enhet

1. Gå till **Mer-> Inställningar-> Rumsinställningar**.
2. Välj det rum där Sonos-hemmabioprodukten finns.
3. Välj **Lägg till surround**.
4. Följ anvisningarna för att lägga till först en vänster och sedan en höger surroundhögtalare.

Ta bort surroundhögtalare

1. Gå till **Mer-> Inställningar-> Rumsinställningar**.
2. Välj det rum där surroundhögtalarna finns. Rumsnamnet visas som rum (+ VS + HS) i Rumsinställningar.
3. Välj **Ta bort surround**.
4. Välj Nästa för att ta bort surroundhögtalarna från ditt surroundsystem. Om dessa var nyinköpta SYMFONISK visas de som Oanvända på Rumsinställningar. Om dessa SYMFONISK fanns i ditt hem tidigare, återgår de tillbaka till sitt tidigare tillstånd.
Du kan nu flytta dem till ett annat rum för individuell användning.

Ändra surroundinställningarna

Standardinställningen bestäms av kalibrering processen. Om du vill göra en ändring kan du följa stegen nedan.

1. Gå till **Mer-> Inställningar-> Rumsinställningar**.
2. Välj det rum där surroundhögtalarna finns. Det visas som Rum (+ VS + HS) i Rumsinställningar.
3. Välj **Avancerat ljud-> Surroundinställningar**.
4. Välj något av följande:
 - Surround:** Välj På eller Av för att slå på och av ljudet från surroundhögtalarna.
 - Tv:** dra med fingret över skjutreglaget för att öka eller minska volymen på surroundhögtalarna för uppspelning av tv-ljud.
 - Musik:** dra med fingret över skjutreglaget för att öka eller minska volymen på surroundhögtalarna för uppspelning av musik.
 - Musikuppspelning:** Välj Ambient (standard; mjukt omgivande ljud) eller Full (möjliggör högre, rikt ljud). Den här inställningen gäller endast musikuppspelning, inte tv-ljud.
 - Balansera surroundhögtalare (iOS):** Välj Balansera surroundhögtalare och följ anvisningarna för att manuellt balansera surroundhögtalarna.

Spela upp musik

Gör ett val genom att trycka på Bläddra på din mobila enhet eller genom att välja en musik källa från MUSIC på en Mac eller PC.

Radio

Sonos innehåller en radioguide som ger omedelbar tillgång till över 100 000 gratis förinstallerade lokala och internationella radiostationer, program och poddsändningar som streamas från alla kontinenter.

Välj en radiostation genom att välja **Bläddra-> Radio by TuneIn** och välj en station.

Musiktjänster

En musiktjänst är en musikbutik online eller onlinetjänst som säljer ljud på abonnemangsbasis. Sonos är kompatibel med flera musiktjänster – du kan besöka vår webbplats på www.sonos.com/music för den senaste listan. (Viss musiktjänster kanske inte är tillgängliga i ditt land. Se den enskilda musiktjänstens webbplats för mer information.)

Om du för närvarande prenumererar på en musiktjänst som är kompatibel med Sonos lägger du helt enkelt till ditt användarnamn och lösenordsinformation för tjänsten till Sonos enligt instruktioner, så får du omedelbar tillgång till musiktjänsten från ditt Sonos-system.

1. Om du vill lägga till en musiktjänst trycker du på **Mer-> Lägg till musiktjänster**.
2. Välj en musiktjänst.
3. Välj **Lägg till i Sonos** och följ sedan anvisningarna. Din inloggning och ditt lösenord kommer att verifieras med musiktjänsten. Så snart dina autentiseringsuppgifter har verifierats, kommer du att kunna välja musiktjänsten från Bläddra (på mobila enheter) eller MUSIK-meny (på en Mac eller PC).

AirPlay 2

Du kan använda AirPlay 2 för att streama musik, filmer, poddsändningar och annat direkt från dina favoritappar till dina SYMFONISK högtalare. Lyssna på Apple Music på din SYMFONISK. Titta på en YouTube- eller Netflix-video och njuta av ljudet från SYMFONISK.

Du kan också använda AirPlay direkt från många av dina favoritappar.

Spela upp musik från din mobila enhet

Du kan spela upp musik och poddsändningar som lagrats på en mobilenhet som finns i samma nätverk som Sonos. Tryck bara på Bläddra -> På denna [mobila enhet].

Inställningar för equalizer

SYMFONISK kommer med förinställd equaliser/utjämning (EQ) för att ge bästa upplevelse. Om du vill kan du ändra ljudinställningarna (bas, diskant, balans eller loudness) så att de passar dina personliga preferenser.

Obs: balans är endast justerbar när SYMFONISK används i ett stereopar.

1. På en mobil enhet går du till **Mer-> Inställningar-> Rumsinställningar**.
2. Välj ett rum.
3. Välj **EQ** och dra sedan fingret över skjutreglagen för att göra justeringar.
4. Om du vill ändra loudness-inställningen trycker du på **På eller Av**. (Loudness-inställningen ökar vissa frekvenser, inklusive bas, för att förbättra ljudet vid låg volym.)

Jag har en ny router

Om du köper en ny router eller ändrar din ISP (internetleverantör) måste du starta om alla dina Sonos-produkter efter att routern har installerats.

1. Koppla loss nätsladden från alla dina Sonos-produkter i minst 5 sekunder.
2. Återanslut dem en i taget och börja med den Sonos-produkt som är ansluten till routern (om en sådan vanligtvis är ansluten). Vänta tills dina Sonos-produkter har startats om. Statuslampan ändras till fast vitt sken på varje produkt när omstarten är slutförd.

Om din Sonos-konfiguration är helt trådlös (om du inte har en Sonos-produkt ansluten till routern) måste du också ändra lösenordet för det trådlösa nätverket. Följ stegen nedan:

1. Anslut tillfälligt en av dina Sonos-högtalare till den nya routern med en nätverkskabel.
2. Gå till Mer-> Inställningar-> Avancerade inställningar-> Trådlös inställning. Sonos kommer att känna av ditt nätverk.
3. Ange lösenordet för ditt trådlösa nätverk.
4. När lösenordet har accepterats, koppla bort högtalaren från routern och flytta tillbaka den till sin ursprungliga plats.

Jag vill ändra lösenordet för det trådlösa nätverket

Om ditt Sonos-system är installerat trådlöst och du ändrar lösenordet för det trådlösa nätverket måste du också ändra det på ditt Sonos-system.

1. Anslut tillfälligt en av dina SYMFONISK-högtalare till routern med en nätverkskabel.
2. Välj något av följande:
Med Sonos-appen på en mobil enhet går du till Mer-> Inställningar-> Avancerade inställningar-> Trådlös inställning.
Använd Sonos-appen på en dator och gå till Inställningar-> Avancerat på menyn Hantera. På menyn Allmänt väljer du Trådlös inställning.
Om du använder Sonos-appen på en Mac, gå till Inställningar-> Avancerat på Sonos-menyn. Välj Trådlös installation på menyn Allmänt.
3. Ange det nya lösenordet för det trådlösa nätverket när du tillfrågas.
4. När lösenordet har accepterats kan du koppla bort högtalaren från routern och flytta tillbaka den till dess ursprungliga plats.

Återställ din SYMFONISK-högtalare

Den här processen tar bort registreringsinformation, innehåll som har sparats i My Sonos och musiktjänster från din SYMFONISK-högtalare. Detta görs vanligt innan överföring av ägande till en annan person. Din Sonos-app kan också rekommendera att du går igenom den här processen om den inte hittar din produkt under installationen. Om du vill radera data från flera SYMFONISK-högtalare måste du utföra dessa steg på var och en av dem.

Om du återställer alla produkter i ditt system raderas systemets data permanent. Det kan inte återställas.

1. Koppla ur nätsladden.
2. Tryck och håll ner knappen ►|| Spela / paus medan du ansluter nätsladden igen.
3. Fortsätt hålla in knappen tills lampan blinkar orange och vitt.
4. Lampan blinkar grönt när processen är klar och produkten är redo att installeras.

Statuslampor Status**Tilläggsinformation**

Blinkande vit	Strömmen slås på.	
Stadigt vit (svagt upplyst)	Strömmen är på och ansluten till ett Sonos-system (normal drift).	Du kan sätta på och stänga av den vita statuslampan från Mer -> Rumsinställningar. (Sonos-produkter som är ihopkopplade delar samma inställning.)
Blinkande grön	Strömmen är på, ännu inte ansluten till ett Sonos-system, eller WAC (trådlös installationsåtkomst) xx	För en SUB, det här kan indikera att SUB ännu inte är ihopkopplad med en högtalare.
Långsamt blinkande grön	Surroundljudet är av eller SUB-ljudet är av.	Gäller för högtalare som installerats som en surround-högtalare, eller för en SUB ihopkopplad med en PLAYBAR.
Stadigt grön	Volym inställd på noll eller tyst.	
Blinkande orange	Under installation av SonosNet sker detta efter en knapptryckning medan produkten söker efter ett hushåll att gå med i.	
Snabbt blinkande orange	Uppspelning/Nästa spår misslyckades	
Stadig orange	Under den trådlösa installation sker detta medan Sonos öppna åtkomstpunkt är tillfälligt aktiv. Om du inte installerar Sonos kan detta indikera varningsläge.	
Blinkande grön och vit	Högtalare länkas till ditt Sonos-konto.	Länka högtalaren/högtalarna till ditt konto. För mer information, se http://faq.sonos.com/accountlink
Blinkande röd och vit	Högtalarens partitionering misslyckades.	Kontakta kundtjänst.
Blinkande rött	Högtalarens tillåtna installationstid har överskridits. Det här händer om en högtalare är ansluten i 30 minuter utan att installeras.	Koppla ur högtalaren, vänta i 10 sekunder, sätt tillbaka den och installera.

Viktig säkerhetsinformation

Skötselråd

För att rengöra högtalaren, torka med en mjuk fuktad trasa. Använd en annan mjuk, torr trasa för att torka torrt.

INFORMATION OM RF-EXPONERING

Enligt regler för RF-exponering ska slutanvändaren under normal drift avstå från att befinna sig närmare än 20 cm från anordningen.



Den överkorsade soptunnan visar att produkten ska slängas separat från hushållsavfallet. Produkten ska lämnas in för återvinning i enlighet med lokala miljöbestämmelser för avfallshantering. Genom att separera ett markerat föremål från hushållsavfallet hjälper du till att minska mängden avfall som skickas till förbränningsugnar eller markpåfyllning och minimerar alla potentiellt negativa effekter på människors hälsa och miljön. För mer information, vänligen kontakta ditt IKEA varuhus.

Specifikationer

Funktion	Beskrivning
Ljud	
Förstärkare	Två digitala klass D-förstärkare.
Diskant	En diskant skapar ett skarpt och exakt högfrekvenssvar.
Mid-woofer	En mid-woofer garanterar sann återgivning av mellanregistret plus djup, fyllig bas.
Stereoparinställning	Gör två SYMFONISK högtalare till två separata vänster och höger högtalare.
Hemmabio	Lägg till två SYMFONISK högtalare till en Sonos hemmabiolösning.
Musik	
Ljudformat som stöds	<p>Stöd för komprimerad MP3, AAC (utan DRM), WMA utan DRM (inklusive köpta Windows Media downloads), AAC (MPEG4), AAC +, OGG Vorbis, Apple Lossless, FLAC (lossless) musikfiler, samt okomprimerade WAV och AIFF-filer.</p> <p>Inbyggt stöd för 44,1 kHz samplingsfrekvenser. Ytterligare stöd för 48 kHz, 32 kHz, 24 kHz, 22 kHz, 16 kHz, 11 kHz och 8 kHz samplingsfrekvenser. MP3 stöder alla hastigheter utom 11 kHz och 8 kHz.</p> <p>Obs: Apple "FairPlay," WMA DRM-och WMA Lossless-format stöds inte för närvarande. Tidigare inköpta Apple "FairPlay" DRM-skyddade låtar kan uppgraderas</p>
Musiktjänster som stöds	Sonos fungerar med de flesta musiktjänster, inklusive Apple Music™, Deezer, Google Play Music, Pandora, Spotify och radio från TuneIn, samt hämtningar från alla tjänster som erbjuder DRM-fria spår. Tjänstens tillgänglighet varierar beroende på region. En fullständig lista finns på http://www.sonos.com/music .
Internetradio som stöds	Streama MP3, HLS/AAC, WMA
Albumdesign som stöds	JPEG, PNG, BMP, GIF
Spellistor som stöds	Rhapsody, iTunes, WinAmp, and Windows Media Player (.m3u, .pls, .wpl)
Nätverk*	
Trådlös anslutning	Ansluter till trådlösa hemnätverk med valfri 802.11b/g/n-router. Nätverkskonfigurationer med enbart 802.11n stöds inte. Du kan antingen ändra routerinställningarna till 802.11b/g/n eller ansluta en Sonos-produkt till routern.

SonosNet utökning Funktioner för att utöka och förbättra kraften i SonosNet, ett säkert AES-krypterat, P2P trådlöst mesh-nätverk dedikerat exklusivt för Sonos för att minska wifi-störningar.

Nätverksport En 10/100Mbps nätverksport möjliggör anslutning till ditt nätverk eller till andra Sonos-högtalare.

Allmänt

Strömförsörjning Automatiskt växlande 100–240 V, 50/60 Hz

Knapparna Volym och Spela upp/Pausa.
Tryck på Play/Pause-knappen en gång för att starta eller stoppa musiken; två gånger för att hoppa till nästa spår.

LED Visar status på SYMFONISK.

Mått (H x D x B) 310 x 150 x 100 mm.

Vikt 2,8 kg

Driftstemperatur 0° to 40° C

Förvaringstemperatur -20° to 70° C

* Specifikationer kan ändras utan föregående meddelande.