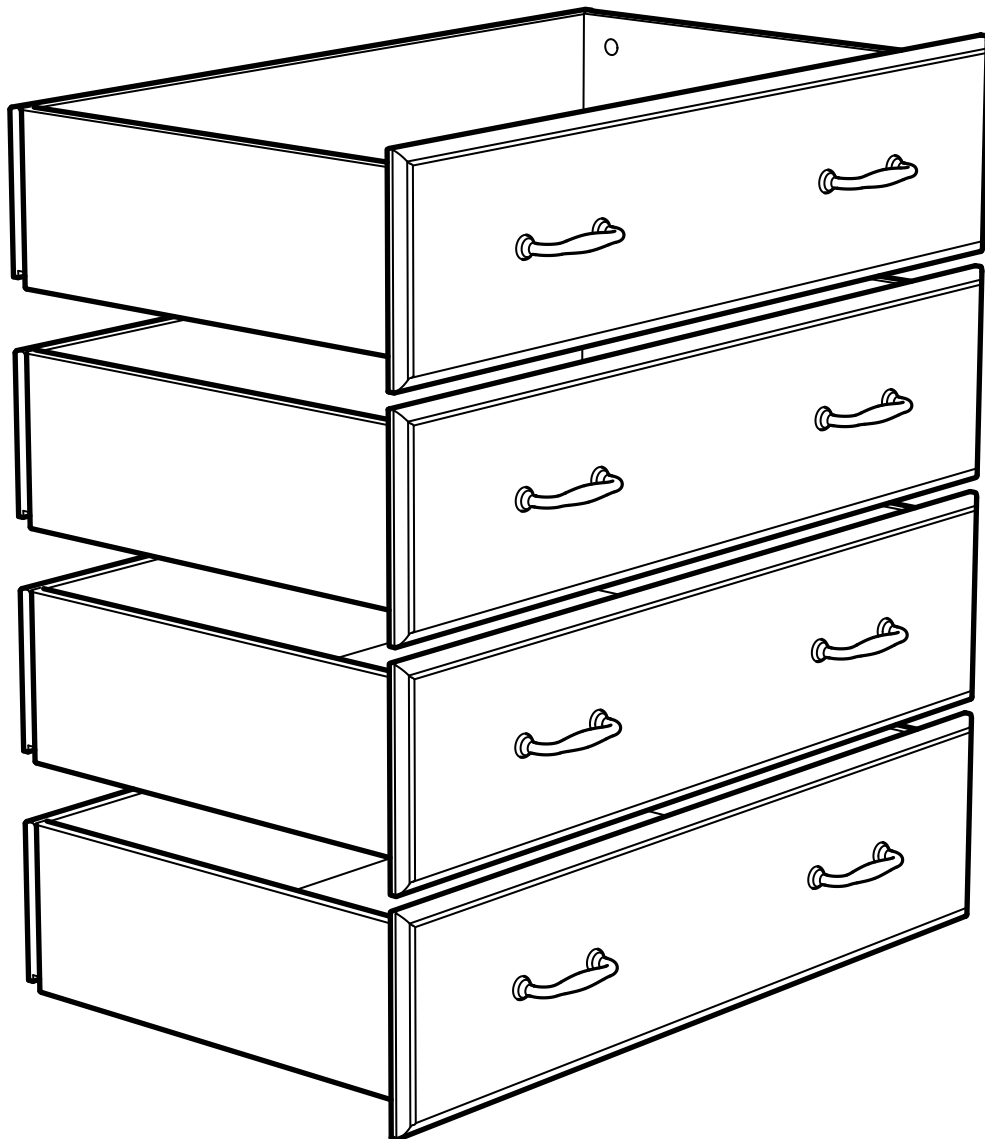
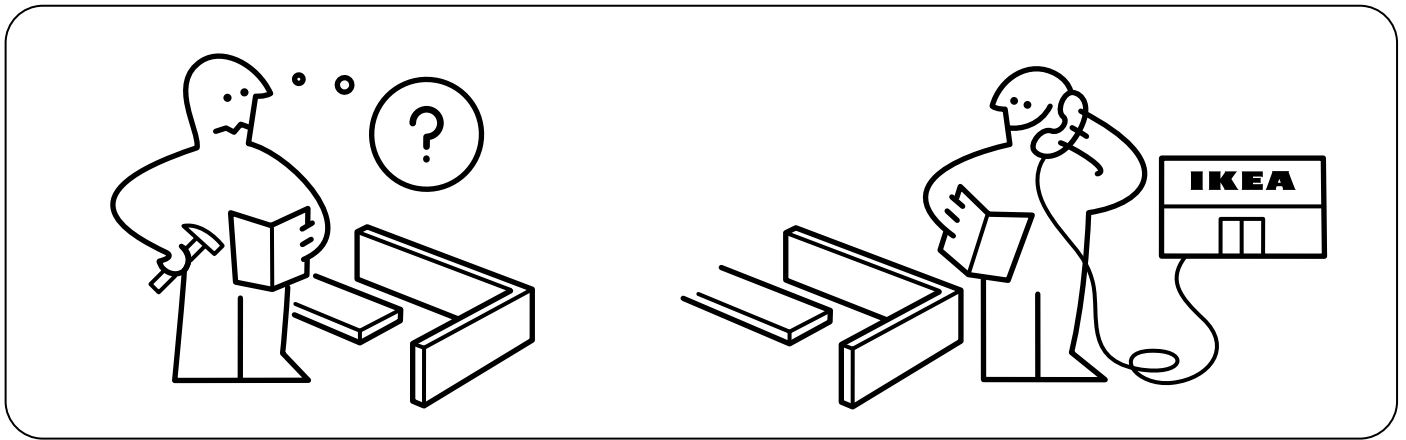
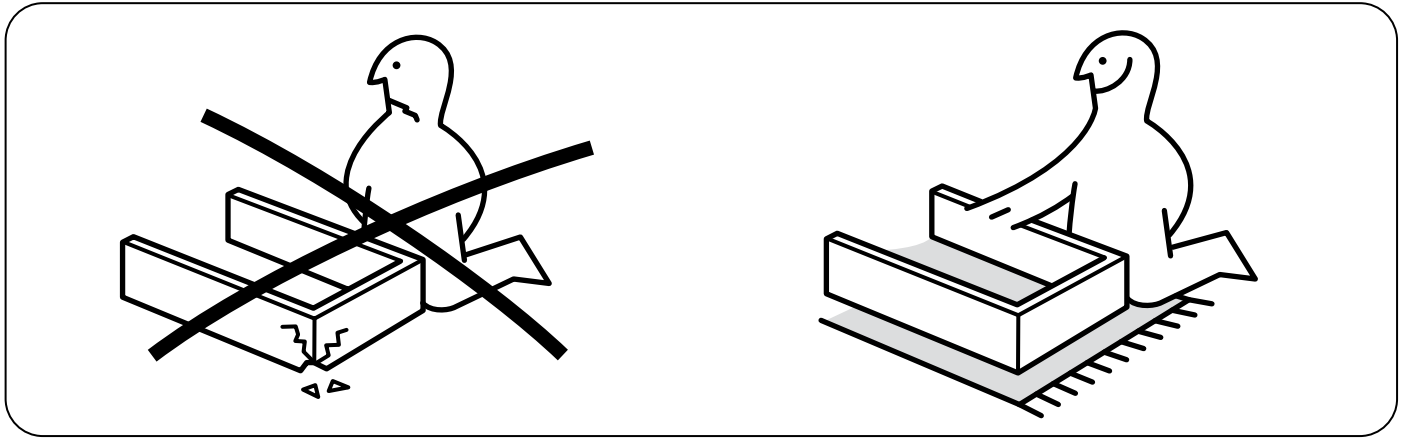
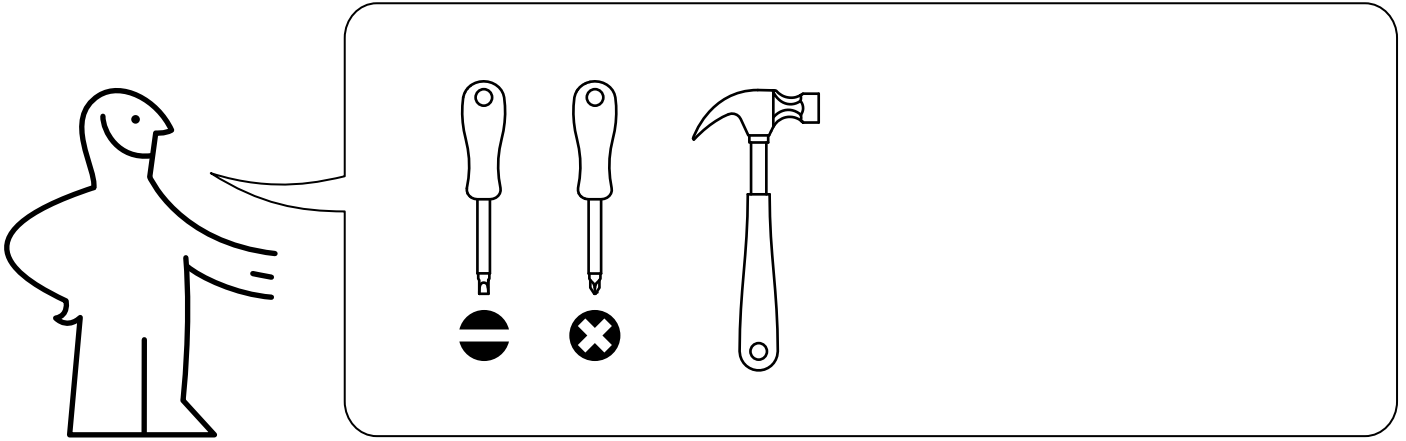


UNDREDAL



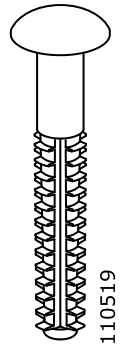
Design and Quality
IKEA of Sweden



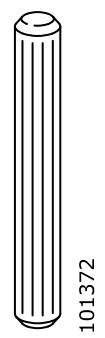
2



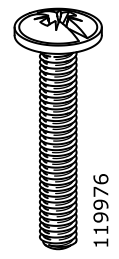
16x



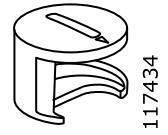
16x



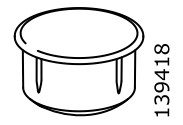
16x



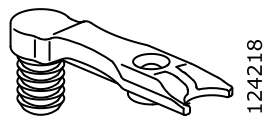
16x



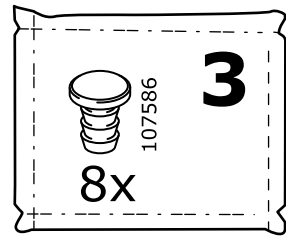
16x



8x

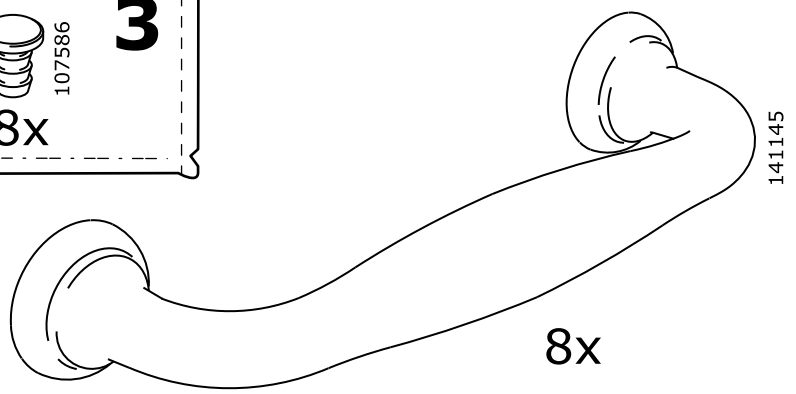


8x



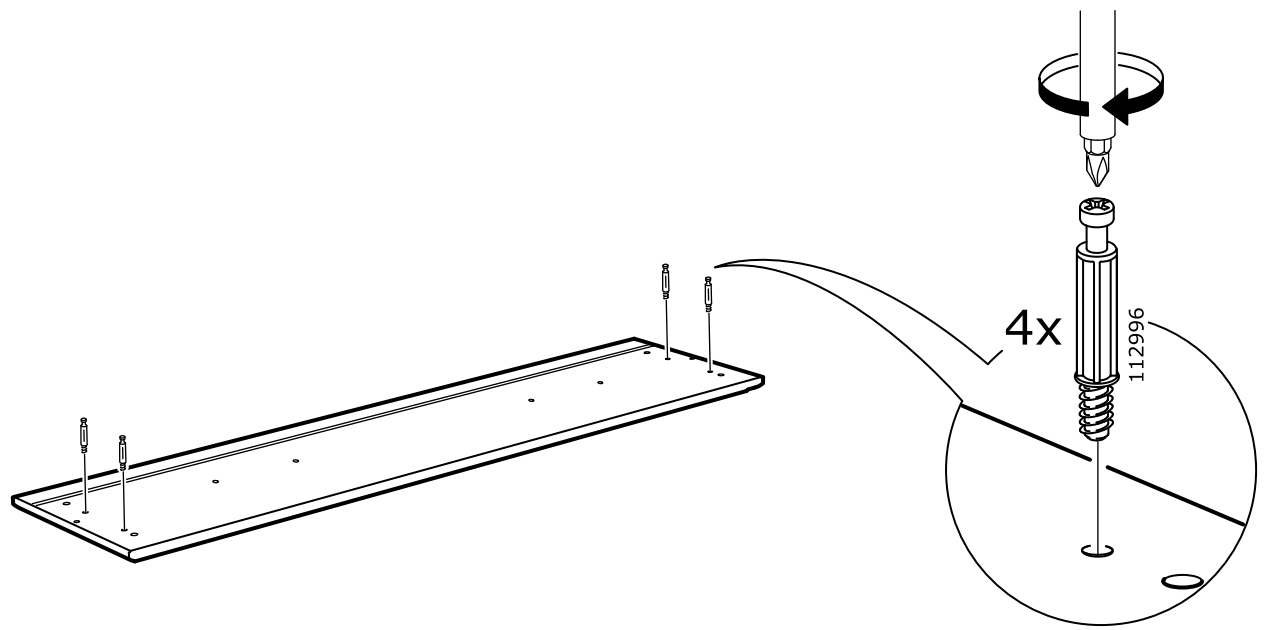
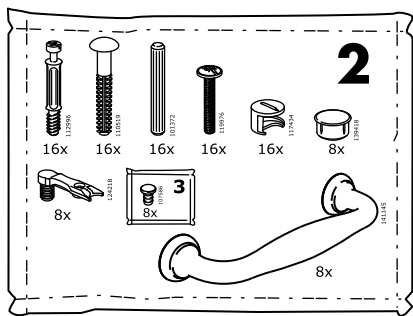
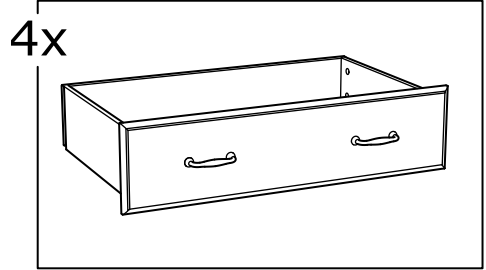
3

8x

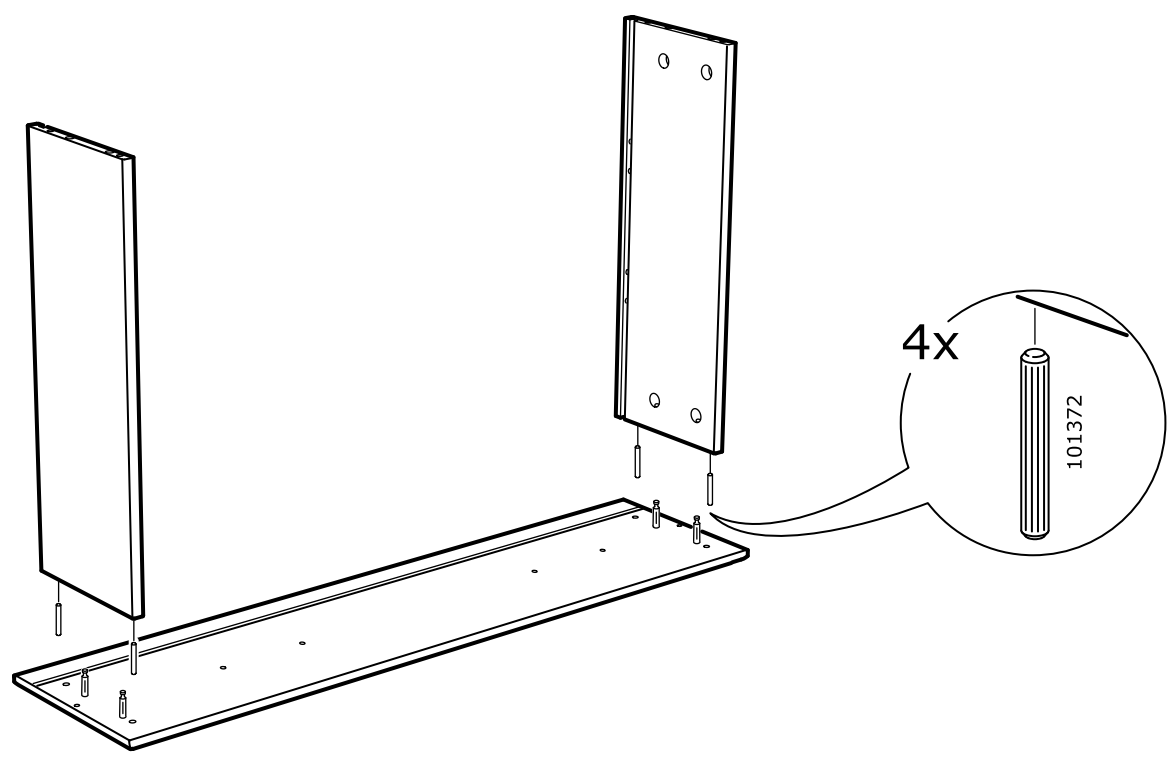


8x

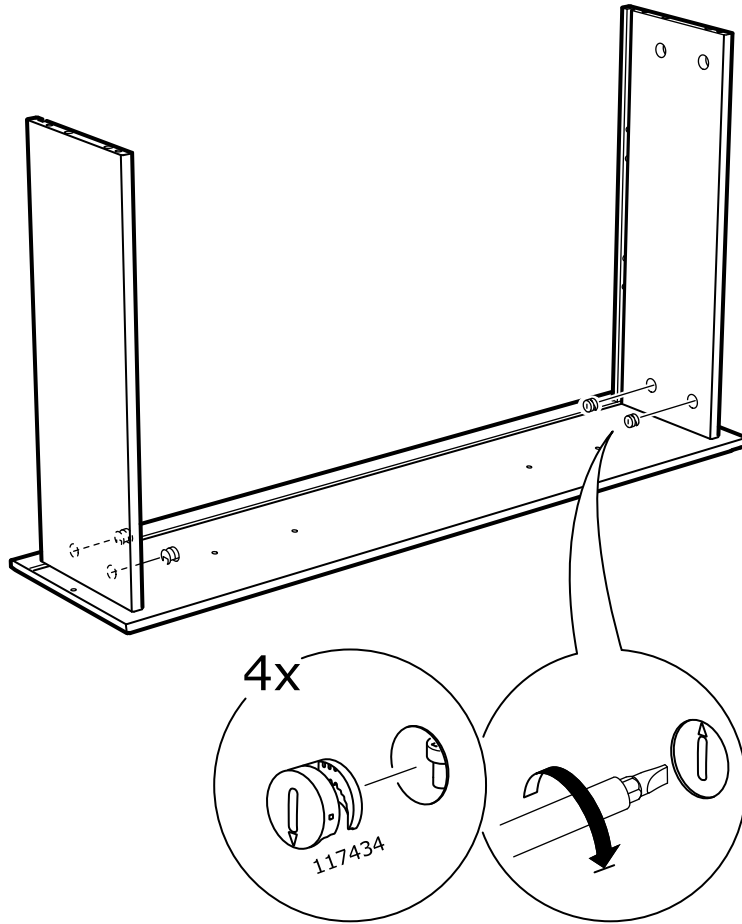
1



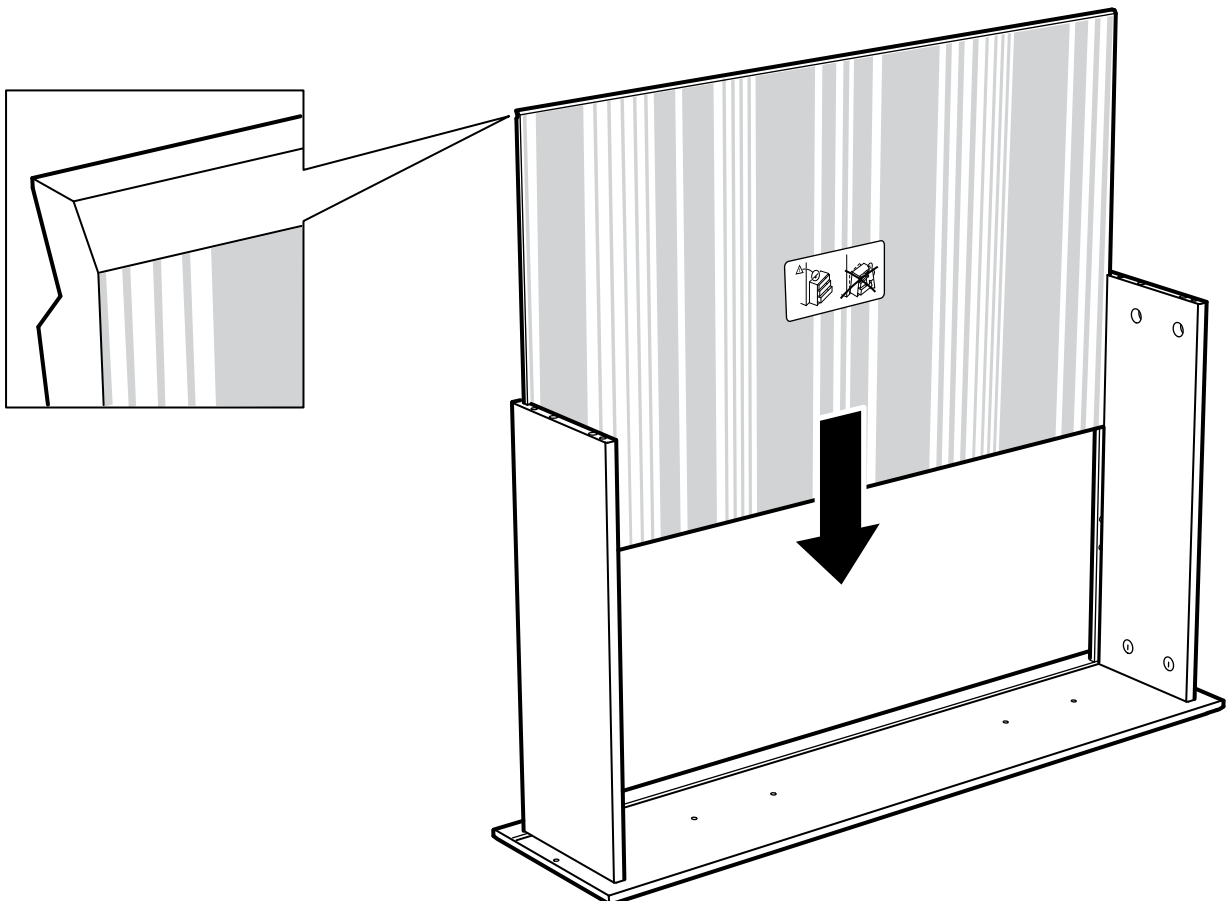
2



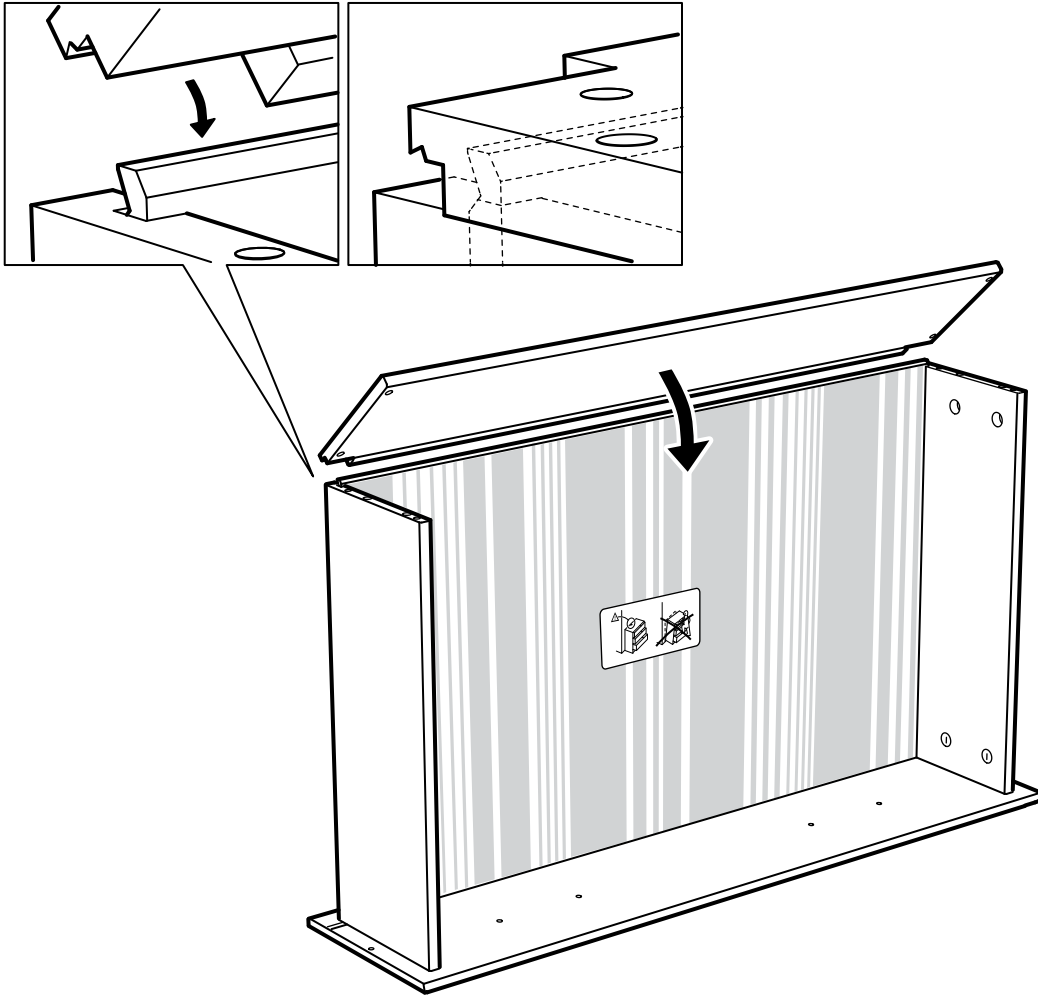
3



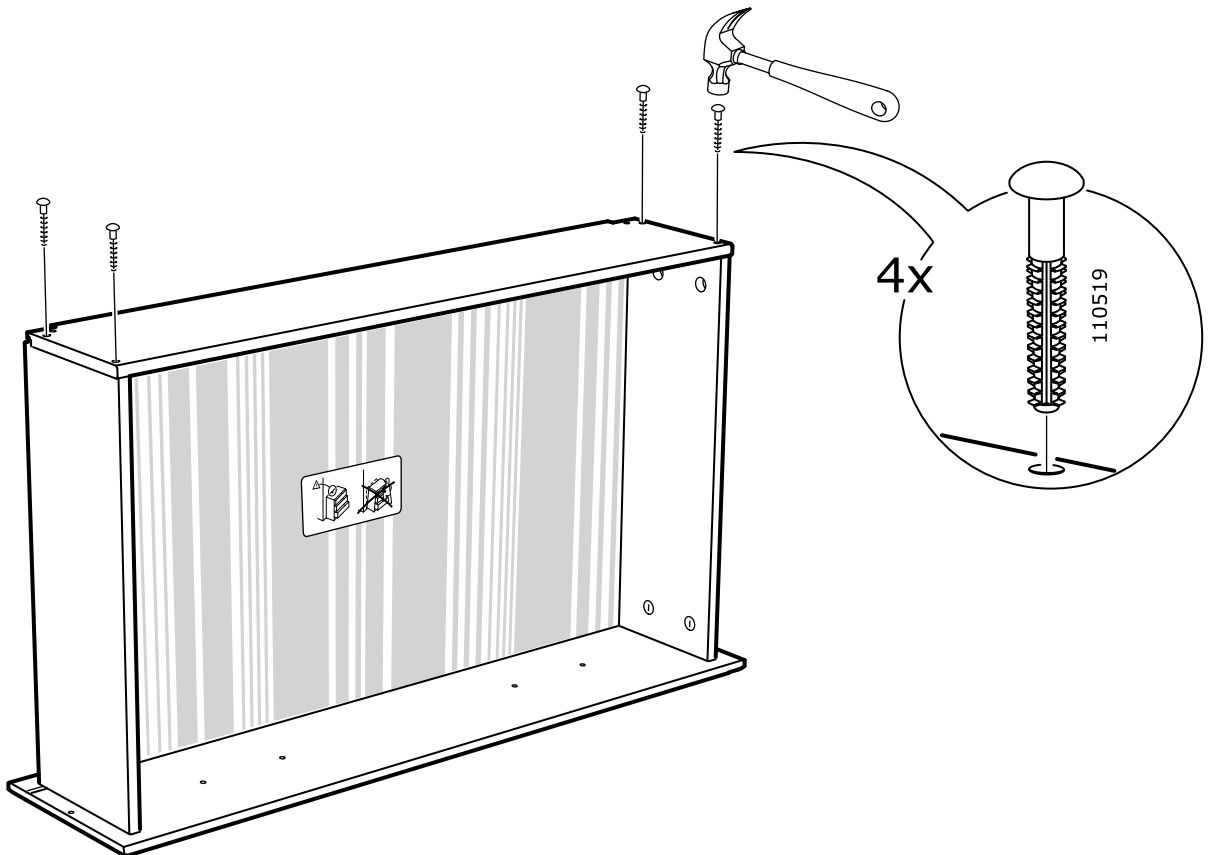
4



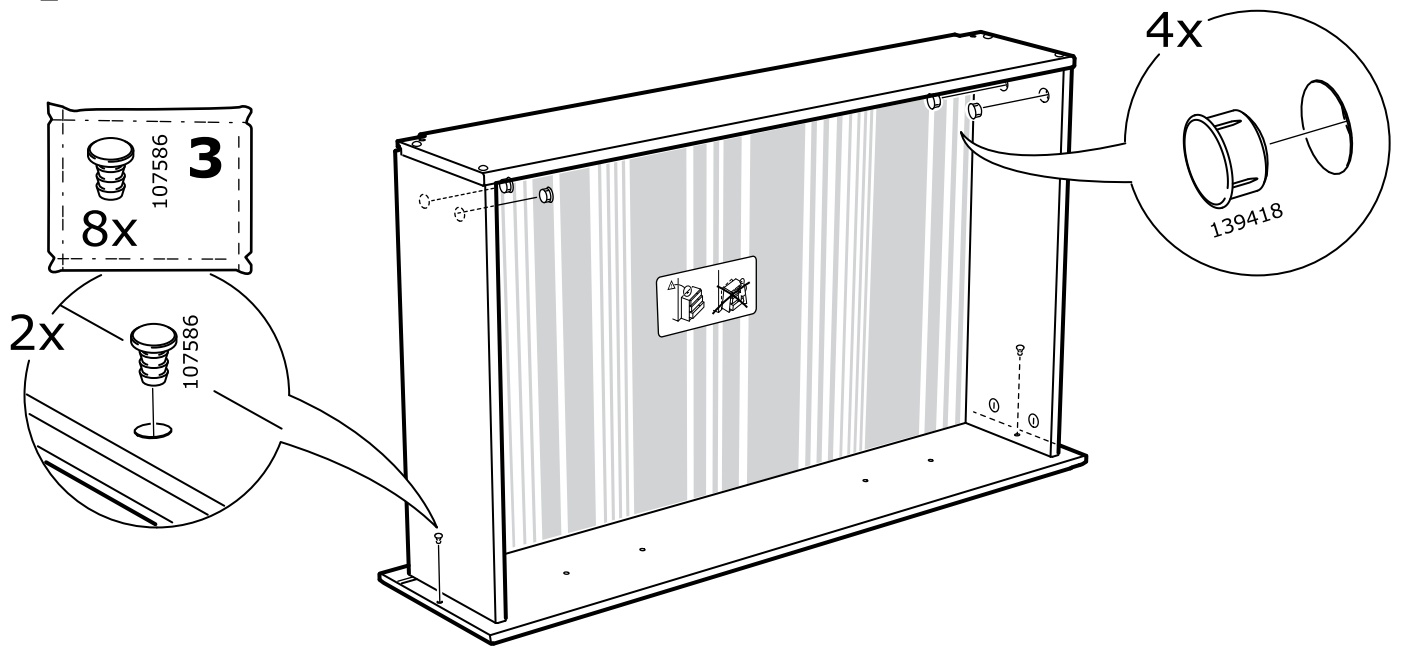
5



6



7



8

