

UPPLEVA

32-46"

GB

DE

FR

NL

NO

ES

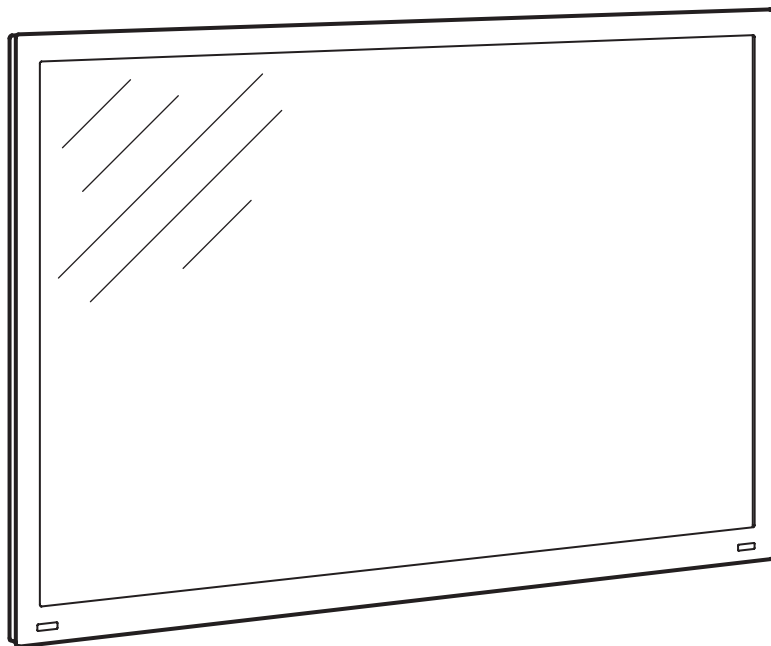
IT

PL

PT

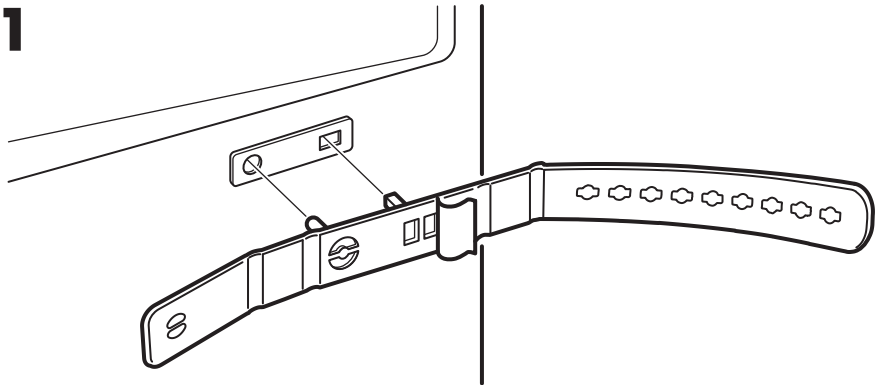
GR

TR

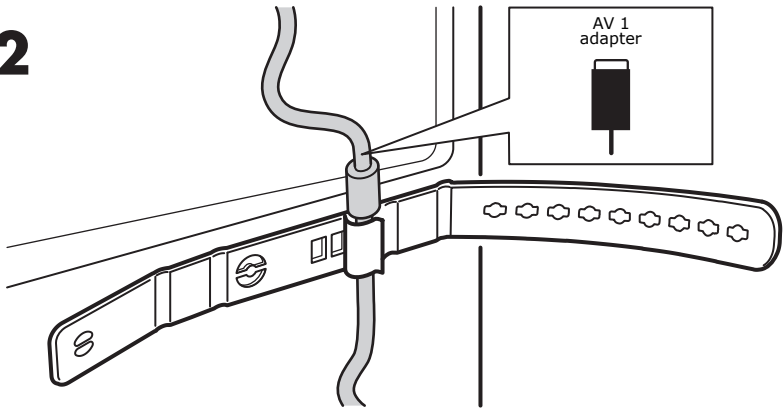


Design and Quality
IKEA of Sweden

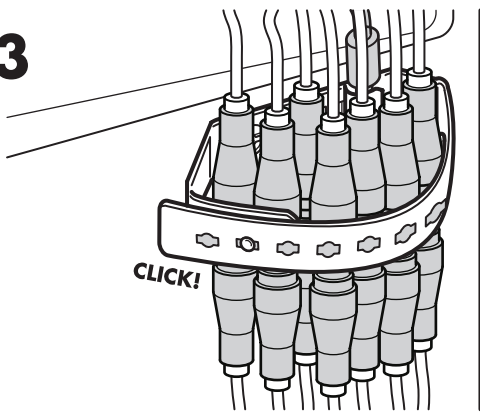
1



2



3



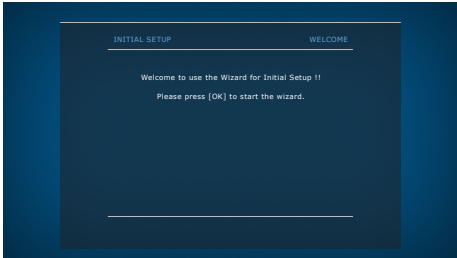


Figure 1

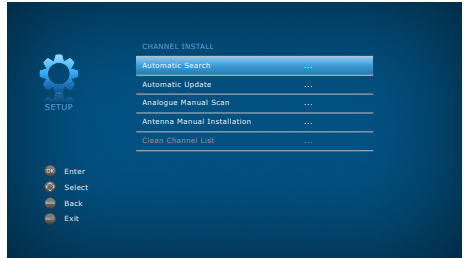


Figure 2

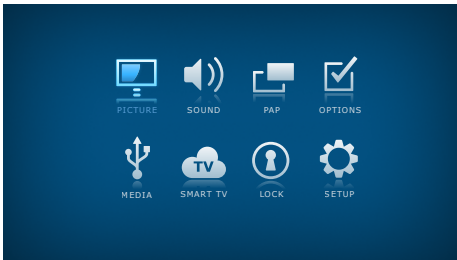


Figure 3



Figure 4

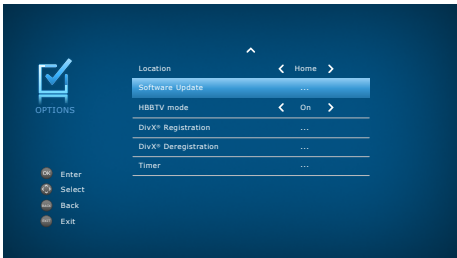
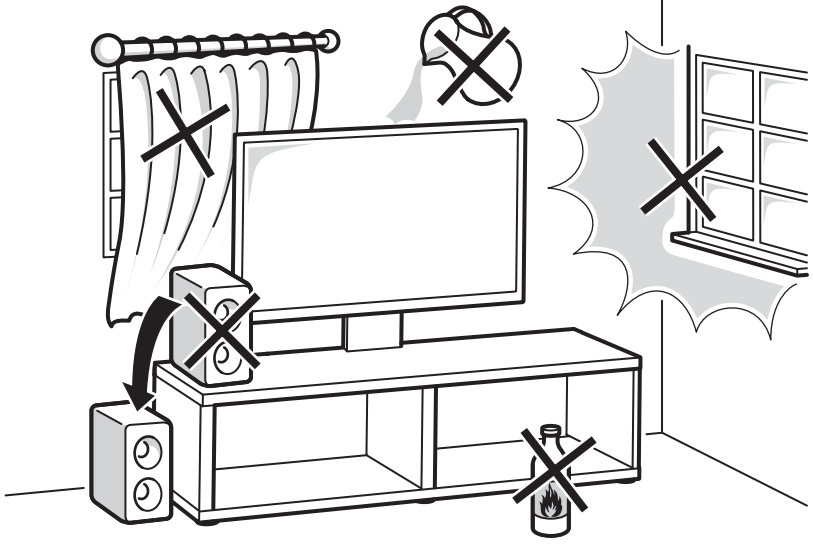


Figure 5



ENGLISH	4
DEUTSCH	24
FRANÇAIS	46
NEDERLANDS	68
NORSK	90
ESPAÑOL	110
ITALIANO	130
POLSKI	152
PORTUGUÊS	174
ΕΛΛΗΝΙΚΑ	194
TÜRKÇE	218

Important information

Safety

Ensure that your domestic mains supply voltage matches the voltage indicated on the identification sticker located at the back of your set. Where the mains plug or an appliance coupler is used as disconnect device, the disconnect device shall remain readily operable.

On certain models, the light indicator is located at the side of the TV set. The absence of a light indication at the front does not mean that the TV set is fully disconnected from the mains. To disconnect the TV set completely, the mains plug must be pulled out.

The TV set's components are sensitive to heat. **The maximum ambient temperature** should not exceed 35° Celsius. Do not cover the vents at the back or sides of the TV set. Leave sufficient space around it to allow adequate ventilation. Install the appliance away from any source of heat (fireplace, ...) or appliances creating strong magnetic or electric fields.




Moisture in rooms where the set is installed should not exceed 85% humidity.

Apparatus shall not be exposed to dripping or splashing and no objects filled with liquids, such as vases, shall be placed on the apparatus. Moving the set from a cold place to a warm one can cause condensation on the screen (and on some components inside the TV set). Let the condensation evaporate before switching the TV set on again.



WARNING

To prevent the spread of fire, keep candles or other open flames away from this product at all times.

The  or **POWER**/ button on the TV set or the  button on the remote control can be used to switch it on and put it into standby mode. **If you are not going to be watching the TV for a lengthy period of**

time, switch it off completely by removing the plug from the mains power socket.

During **thunderstorms**, we recommend that you disconnect the TV set from the mains and aerial so that it is not affected by electrical or electromagnetic surges that could damage it. For this reason, keep the **mains and aerial sockets** accessible so they can be **disconnected**, if necessary.

Unplug the TV set immediately if you notice it giving off a **smell of burning** or **smoke**. You must never, under any circumstances, open the TV set yourself, as you run the risk of an **electric shock** in doing so.

TV screen

The TV screen used in this product is made of glass. Therefore, it can break when the product is dropped or impacted upon by other objects.

The TV screen is a very high technology product, giving you finely detailed pictures. Occasionally, a few nonactive pixels may appear on the screen as a fixed point of blue, green or red. This does not affect the performance of your product.

Care

Use a glass-cleaning product to clean the screen and a soft cloth and mild detergent to clean the rest of the set.

Important: Using strong detergents, alcohol-based and abrasive products may damage the screen.

Dust the vents at the back and sides regularly. Using solvents, abrasive or alcohol-based products could damage the TV set. If an object or liquid enters inside the appliance, unplug it immediately and have it checked by an authorized engineer. Never open the appliance yourself since this may put you at risk or damage the appliance.

Hanging the TV set on the wall

WARNING: This operation requires two people.

To ensure a safe installation, observe the following safety notes:

- Check that the wall can support the weight of the TV set and wall mount assembly.
- Follow the mounting instructions provided with the wall mount. For certain models, make sure to screw the hexagonal VESA wall mounting screw bosses (and screws) provided with the set into the nuts for the wall mount at the back of your set before your wall mounting.
- The TV set must be installed on a vertical wall.
- Make sure to use only screws suitable for the material of the wall.
- Make sure that the TV set cables are placed so that there is not danger of tripping over them.

All other safety instructions about our TV sets are also applicable here.

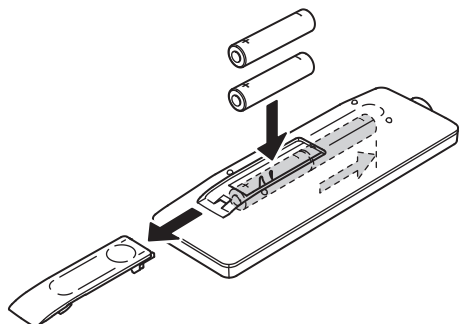
Handling the TV set on the table

Before setting up your television set, make sure that the surface you want to put the set on can support its weight.

Don't place the set on an unstable surface (e.g. moving shelf, very edge of a unit) and make sure that the front of the television set does not overhang the surface it is sitting on.

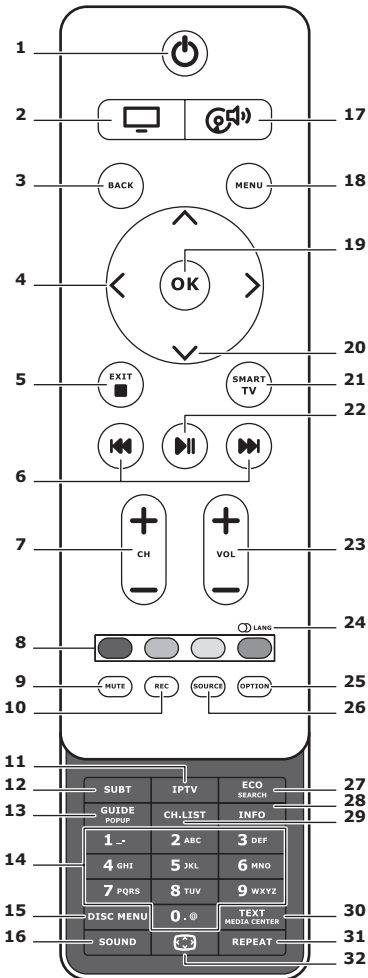


This product is designed and manufactured with high quality materials and components which can be recycled and reused. This symbol means that electrical and electronic equipment, at their end-of-life, should be disposed of separately from your household waste to prevent potential negative consequences for the environment and human health. Please, dispose of this equipment at your local community waste collection/recycling centre. In the European Union there are separate collection systems for used electrical and electronic product. Please, help us to conserve the environment we live in!



Remote control functions

Most of your TV's functions are available via the menus that appear on the screen. The remote control supplied with your TV can be used to navigate through the menus and to configure all the general settings.



1. Standby / quit standby.
2. To switch the remote for TV use.
3. **BACK**
To return to the previous menu.
To return to the previous channel.
4. **<>**
To navigate through the menus.
To set functions and change values.
> can also be used to open the corresponding submenu.
5. **EXIT/■**
To exit the menu structure or Teletext;
to stop some functions.
6. **⏮ ⏪ ⏩ ⏭**
To fast forward or reverse (press and hold in Media function); and to move to the previous or next photo, song or video.
7. **CH+/-**
To change channels.
8. **Colour buttons**
To select tasks or Teletext pages. The red button can also be used for MHEG function.
9. **MUTE**
To switch the sound off and back on again.
10. **REC**
To record programme.
11. **IPTV**
No function.

12. SUBT

To select a subtitle language available for selected digital TV programme.

13. GUIDE

To toggle the Electronic Programme Guide on or off (only available for digital channels).

14. 0-9

To enter channel numbers.
To enter a letter, a digit or a symbol in some functions.

15. DISK MENU

No function.

16. SOUND

To select a preset sound mode.

17. 

To switch the remote for sound system use.

18. MENU

To access the main menu.
To access or exit the virtual keyboard in smart TV function.

19. OK

To confirm an entry or selection. To freeze/unfreeze the picture in digital TV mode.

20.  

To navigate through the menus.
To select menu options.

21. SMART TV

To display the smart TV homepage.

22. 

To play/pause.

23. VOL+/-

To control the volume.

24.  LANG

To select a sound type available for selected Analogue TV programme.
To select an audio language available for selected digital TV programme.

25. OPTION

To display the function menu. To perform certain operations. To display the Teletext page in different modes.

26. SOURCE

To select connected devices.

27. ECO

To select desired power saving mode.

28. INFO

To display programme information, if available.

29. CH. LIST

To display the channel list.

30. TEXT/MEDIA CENTER

To toggle Teletext on or off.

31. REPEAT

No function.

32. 

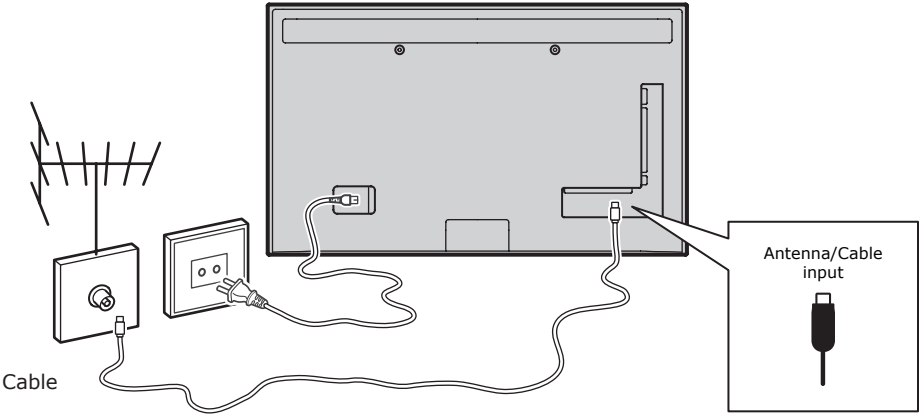
To select the picture format.
Note: We recommended you use the full screen mode. Do not use the display mode with black bars on both sides of the picture (such as 4:3) for a prolonged period of time; this may result in permanent damage to the TV screen may be damaged permanently.

Connect the power and antenna

To switch on the TV after connecting the power cord, press ⏻ or **POWER/⏻**.

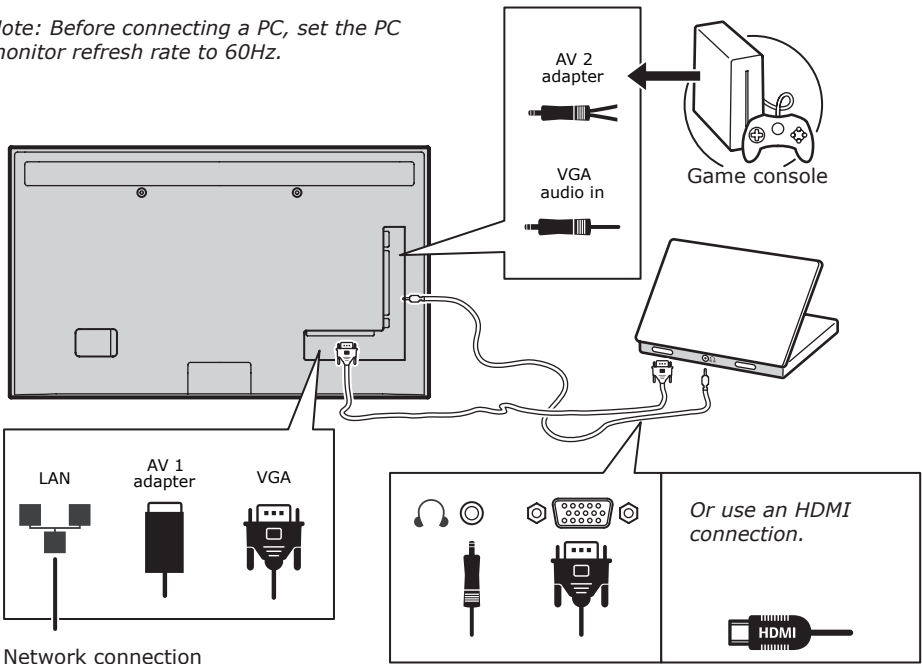
Note: The location of the power socket varies depending on the TV model.

On some models, you have to turn on the power switch first.

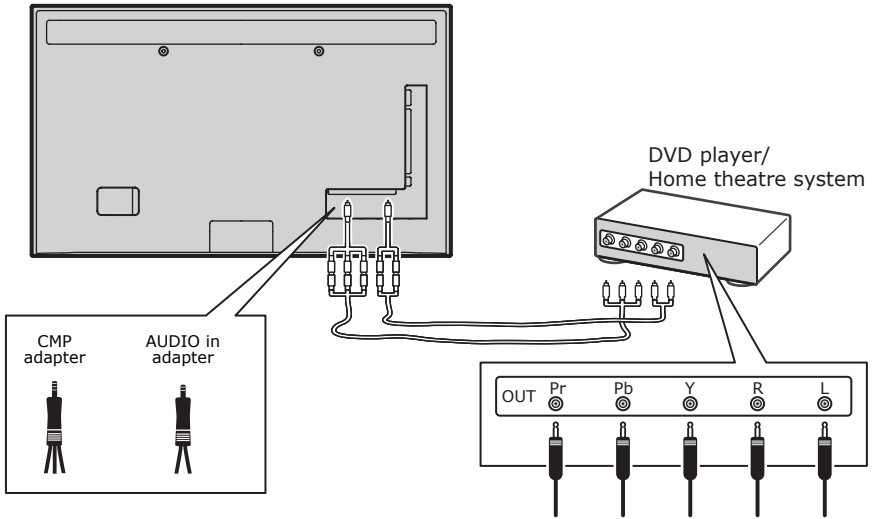


Game console, PC

Note: Before connecting a PC, set the PC monitor refresh rate to 60Hz.



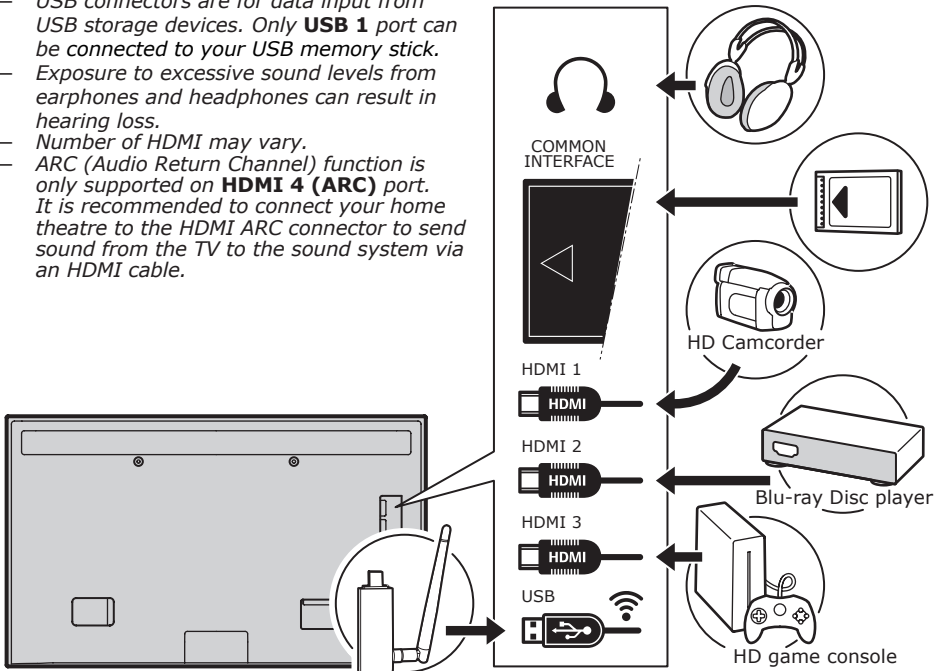
DVD player, home theatre system



Blu-ray Disc player, headphones, HD game console & HD camcorder

Notes:

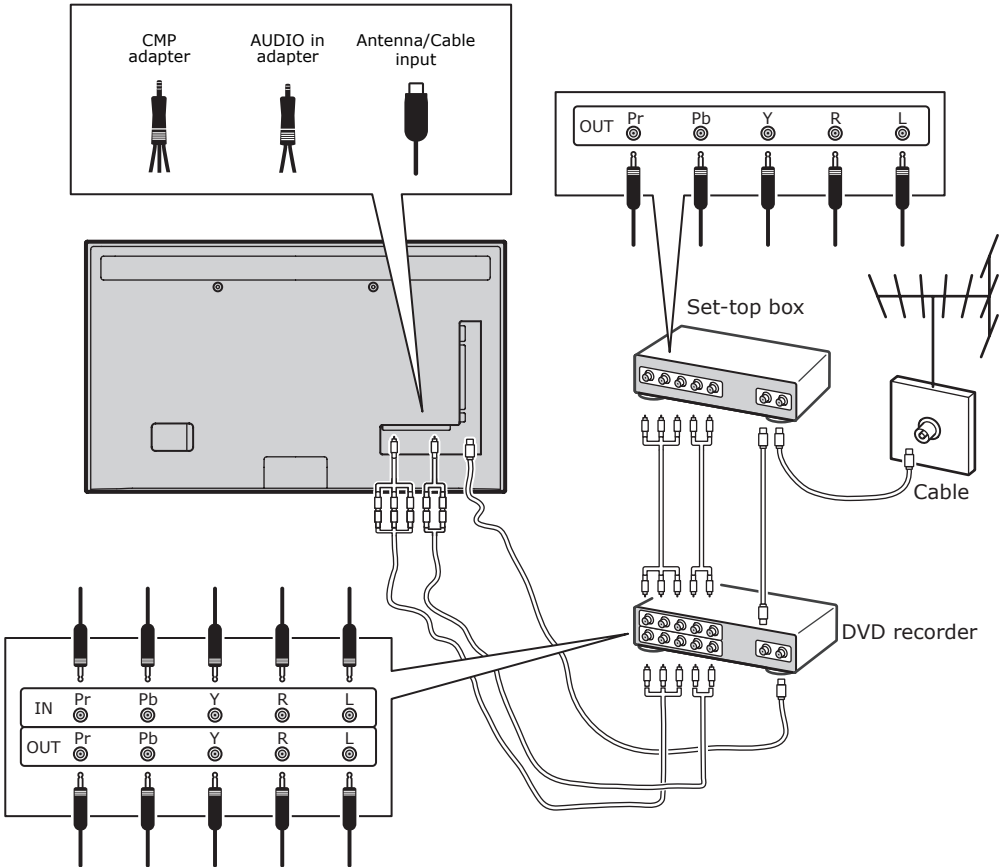
- USB connectors are for data input from USB storage devices. Only **USB 1** port can be connected to your USB memory stick.
- Exposure to excessive sound levels from earphones and headphones can result in hearing loss.
- Number of HDMI may vary.
- ARC (Audio Return Channel) function is only supported on **HDMI 4 (ARC)** port. It is recommended to connect your home theatre to the HDMI ARC connector to send sound from the TV to the sound system via an HDMI cable.



DVD player, cable receiver

Note:

Remove the power cord before connecting devices.



Notes:

- These illustrations are for reference only. Your model may differ in appearance or may not include all connections shown.
- The location of the power socket on the TV may vary depending on the model.
- The location and names of the function buttons and connectors on the TV may vary depending on the model.

Important:

If the remote control is not used for a long period, remove the batteries and store them properly. Handle damaged or leaking batteries carefully. If your remote control has two batteries, do not mix new and old batteries. Batteries shall not be exposed to excessive heat such as sunshine, fire or the like. Danger of explosion if battery is incorrectly replaced. Replace only with the same or equivalent type recommended by the manufacturer. Discard used batteries according to manufacturer's instructions. Refer to your local recycling or waste disposal rules and contact a local waste disposal vendor to dispose of used batteries. If the batteries in your remote control are run down you can use the buttons on your TV. In TV mode, they have the same functions as the corresponding buttons on the remote control. In the menus they have the following functions:

CH \wedge	\wedge
CH \vee	\vee
VOL >	>
VOL <	<
MENU/☰	MENU
OK/☑	OK

Switch the TV on and off

- When powered on, the TV will be turned on directly or be in standby mode. If the TV is in standby mode, press the \odot or **POWER**/ \odot button on the TV or the \odot button on the remote control to turn it on.
- To put the TV into standby mode, press the \odot or **POWER**/ \odot button on the TV or the \odot button on the remote control. The TV remains powered up, but with low energy consumption.
- To switch the TV off, unplug the mains plug from the mains outlet.

(*On certain models, you have to turn on the power switch first.)

Initial setup

Initial setup involves selecting all the settings required to be able to search for and store all the Analogue and digital channels you can receive.

Make sure the TV is switched on and follow all the steps below in the order given.

Note: If the channel search retrieved only the analogue channels it could be caused by weak broadcasting signals and therefore is not covered by the manufacturer warranty. Manufacturers cannot be held responsible for the lack of or weak broadcasting signals that can be found in some areas.

The first time you switch the TV on, the **Initial Setup** wizard opens, which guides you through the initial setup process. (Refer to Figure 1.) Press **OK** to start your initial setup.

- Press \wedge/\vee to select your language, then press **OK**/ $\>$ to enter the next step.
- Press \wedge/\vee to select your country, then press **OK**/ $\>$ to enter the next step.

*Note: If you select **France**, you will have to enter the **Password Setting** menu here in order to set a password. Use the digit buttons to enter a four-digit number for your password. (0000 is too simple to be set as your password.) Re-enter the same code to confirm the password. After that, you will enter the next step automatically. (In this step, you can only press **BACK** to return to the previous step.)*

- Press \wedge/\vee to select your tuner mode **Antenna** or **Cable** or **Satellite**. (*Note: For some models, this option may not be available.*)
 - Select **Antenna**.
 - Press **OK**/ $\>$ to enter.
 - Select **Digital & Analogue**, **Digital** or **Analogue**, then press **OK**/ $\>$.
 - Press \wedge/\vee to select **Scan**, then press **OK**/ $\>$ to start the automatic search for all DVB-T digital and/or analogue channels.
 - Select **Cable**.
 - Press **OK**/ $\>$ to enter.
 - Select **Digital & Analogue**, **Digital** or **Analogue**, then press **OK**/ $\>$.
 - Press \wedge/\vee to select **Scan**, then press **OK**/ $\>$ to directly start your initial setup or enter below step.
 - Select **Full** if available to search for and store all DVB-C digital and analogue channels.
 - You may select another advanced scan mode if available (for example, **Advanced**), then configure proper cable information as described below. Use the digit buttons to adjust the values for frequency, symbol rate and network ID;

use **</>** to select a modulation mode.

- Press **OK** to start initial setup relating to all DVB-C digital and analogue channels.

Note: For some models, this option may not be available.

- Select **Satellite**.
- Press **OK/>** to enter.
- Press **^/V** to select **Scan**, then press **OK/>** to enter the next step to configure proper information relating to satellite and antenna.
- Press **OK** to start initial setup relating to all satellite channels.

Note: To prevent the channel setup process from being interrupted, wait for the message indicating that the setup is complete.

4. Before starting the scanning, you can also select **Skip Scan** to skip the initial setup process.
5. During the setup, you can follow the instructions at the bottom of the screen and return to the previous step by pressing **BACK**. Or press **EXIT** to exit or interrupt the search halfway.
6. Once the automatic search ends, the TV enters the next step automatically. Press **^/V** to select your location **Shop** or **Home**. Press **OK/>** to confirm your selection and enter the last step.
7.
 - In this step, you can press **OK** to exit the initial setup. The channels are arranged in a preset order. If you wish to skip channels, modify the preset order or rename channels, select **SETUP > Organiser** and press **OK/>** to enter.
 - In this step, you can also press **BACK** to return to the previous step.

Automatically install channels

This section describes how to search and store channels automatically. Instructions are for both analogue and digital channels.

1. Press **MENU** on the remote control and select **SETUP > Language > Menu Language**. Press **</>** to select your desired menu language.
2. Press **BACK** to return to **SETUP**, press **^/V** to select **Country**, then press **</>** to select your country. The TV installs and arranges channels according to your country.
3. Press **^/V** to select **Tuner Mode**, then press **</>** to select **Antenna, Cable** or **Satellite**.

(For some models, this option may not be available.)

- Select **Antenna**.
- Press **^/V** to select **Channel Install**, and press **OK/>** to enter.
- Select **Automatic Search** (Refer to Figure 2.), then press **OK/>** to display **Automatic Search**.
- Press **OK** to skip the country selection and enter the next step. Or use **</>** to reselect your country, then press **OK** to enter.
- Select **Digital & Analogue, Digital** or **Analogue**, then press **OK/>** to start the automatic search, which relates to all DVB-T digital and/or analogue channels.
- Select **Cable**.
- Press **^/V** to select **Channel Install**, and press **OK/>** to enter.
- Select **Automatic Search**, then press **OK/>** to display **Automatic Search**.
- Press **OK** to skip the country selection and enter the next step. Or use **</>** to reselect your country, then press **OK** to enter.
- Select **Digital & Analogue**, then press **OK/>** to enter. Select your scan mode if available and configure proper cable information in the same way as in Initial setup. Select **Scan** and press **OK/>** to start your automatic search relating to all DVB-C digital and analogue channels.
- Select **Digital**, then follow the same process as above to start your automatic search relating to all DVB-C digital channels.
- Select **Analogue**, then press **OK/>** to start your automatic search relating to all analogue channels.
- Select **Satellite**.

Note: For some models, this option may not be available.

- Press **^/V** to select **Satellite Setup**, and press **OK/>** to enter.
- Press **^/V** to select a proper satellite or add new satellites if needed, then press **OK** to enter and configure proper information relating to satellite and antenna.
- Select **SETUP > Channel Install > Automatic Search**, then press **OK/>** to enter.
- Select **Country**, and use **</>** to reselect your desired country, if necessary.
- Select **Satellite Tuning**, press

OK/>> to display the **SATELLITE TUNING** menu. Configure the proper information. Select **Scan**, and press **OK/>>** to start initial setup relating to all satellite channels.

Note: For some models, this option may not be available.

4. The search may take a few minutes. During the process, you can press **EXIT** to abort halfway.
5. Once the automatic search ends, press **BACK** to return to the previous step or press **OK** to restart your channel search.
6. After the automatic search, channels are arranged in a preset order. You can skip channels, modify the preset order or rename channels.

Use your TV

Access channels

Using the digit buttons: press the corresponding digit buttons to access the channels.

Using the CH+/- or CH \wedge /V buttons: scroll through the channels.

Watch connected devices

Repeatedly press **SOURCE** on the remote control or **OK** on the TV to toggle between TV and other input sources. To resume TV viewing, press any digit button to enter the channel, while **CH+/-** will cycle through all TV channels and other input sources.

*Note: Not all models have an **OK** button on the TV.*

Volume

Volume control: use the **VOL</>** buttons on the TV or **VOL+/-** buttons on the remote control to increase or decrease the volume.

Sound mute: press the **MUTE** button to temporarily mute the sound. Press this button again or the **VOL+** button to restore it.

Use TV menus

1. Press **MENU** to display the main menu. (Refer to Figure 3.)
2. Press **\wedge /V/</>** to select the desired item, then press **OK** to open the corresponding submenu.
3. In submenu, use **\wedge /V** to select menu options, use **</>** to set functions or change values. Use **OK** to activate a setting. Use **OK/>>** to open the corresponding submenu.

4. Press **BACK** to return to the previous menu.

5. Press **EXIT** to close the menu.

Note: Some options may not be available for certain signal sources.

Select menu language

You can choose your preferred menu language following the instructions below.

1. Press **MENU** to display the main menu.
2. Press **\wedge /V/</>** to select **SETUP**, then press **OK** to enter.
3. Select **Language** and press **OK/>>** to enter.
4. Select **Menu Language** and press **</>** to select your desired language to display the menus.
5. Press **EXIT** to close the menu.

Use more of your TV

Setup your favourite channels

You can create a list of your favourite TV channels.

1. Press **CH.LIST**.
2. Press the yellow button to enter **CHANNEL LIST SELECTION**. Press **\wedge /V** to select the favourite list and press **OK** to enter.
3. Press the blue button to start editing your favourite list. Press **\wedge /V** to scroll through the channel list and press **OK** to select or deselect it.
4. Repeat this procedure to setup other favourite channels.
5. Press **CH.LIST/EXIT** to exit.

Energy Saving

1. Press **MENU** on the remote control and select **PICTURE > ECO Settings > Energy Saving**.
2. Press **</>** to select desired power saving mode to achieve the desired power saving effect.
3. Press **EXIT** to close the menu.

Shortcut operation: Press **ECO** on the remote control to select desired power saving mode directly.

PAP function

To display the pictures from different source inputs side by side. Note that one window is for both analogue and digital TV inputs, the other is for VGA, HDMI and CMP inputs. (*Note: Not available for AV-Scart on both windows.*)

1. Press **MENU** to display the main menu.
2. Select **PAP** and press **OK** to enter.
3. Select the **PAP** option, and press **</>** to turn on/off PAP function.
4. Select **TV Position**, press **</>** to reposition the TV window.
5. Press **</>** to toggle the focus window.
6. When the focus is on the TV window, the digit buttons and **CH+/-** work in TV. When the focus is on the other window, **CH+/-** switches available external sources.

Use subtitles

You can enable subtitles for each TV channel. Subtitles are broadcast via Teletext or DVB-T/DVB-C digital broadcasts. With digital broadcasts, you have the additional option of selecting a preferred subtitle language.

Turn on/off subtitles

1. Press **MENU** on the remote control and select **OPTIONS > Subtitle**.
2. Press **OK/>** to enter. (Refer to Figure 4.)
3. Select the **Subtitle** option, and press **</>** to select **On/Off** to turn on/off subtitles.

Enable subtitle languages on digital TV channels

1. Press **MENU** on the remote control and select **OPTIONS > Subtitle > Digital Subtitle Language**.
2. Press **</>** to select a subtitle language as your preferred language.
3. Press **^/∨** to select **Digital Subtitle Language 2nd**.
4. Press **</>** to select a secondary subtitle language.
5. Press **EXIT** to close the menu.

Shortcut operation: Press **SUBT** on the remote control to directly select a subtitle language available for the selected digital TV programme.

Select a subtitle type on digital TV channels

1. Press **MENU** on the remote control and select **OPTIONS > Subtitle > Subtitle Type**.
2. Press **</>** to select a subtitle type. You can select **Hearing Impaired** to display the hearing impaired subtitles with your

selected language.

Select decoding page language in Teletext

Press **MENU** on the remote control and select **OPTIONS > Teletext > Decoding Page Language**. Select a proper type of language in which Teletext will display.

Digital Teletext language

For digital TV channels, your TV could zap to a service with multiple initial Teletext pages in different languages. This function allows you to select an available language as primary language, which relates to different initial Teletext pages.

Press **MENU** on the remote control and select **OPTIONS > Teletext > Digital Teletext Language**. Press **</>** to select.

SPDIF type

Connect to an audio device through the **SPDIF** output. Press **MENU** on the remote control and select **OPTIONS > SPDIF Type**. Select a proper sound type from the list for digital programmes.

- If the current programme outputs sound in **Dolby D** format, then either **PCM** or **Dolby D** can be selected.
- If the current programme does not output sound in **Dolby D** format, only **PCM** can be selected. Otherwise no sound will be output.
- Select **Off** to turn off the audio output from the audio device connected to the **SPDIF** output.

*Note: The options you may choose depend on the programme you are watching. If you select **PCM** and the sound is ahead of the picture, you can select **SPDIF Delay** from the **OPTIONS** menu and press **</>** to adjust the delay time to synchronize the sound with the picture.*

T-Link

To search for CEC devices connected to the HDMI sockets in your TV and enable one-touch play and one-touch standby between CEC devices.

Enable or disable T-Link

1. Press **MENU** on the remote control, then select **OPTIONS > T-Link**.
2. Press **</>** to select **On** or **Off**.

Use one-touch play

One-touch play enables you to press the play button on, for example, your DVD remote control. This starts playback on your DVD device and automatically switches your TV to the correct source, displaying DVD content.

Use system standby

System standby enables you to press the \odot button on, for example, your TV remote control. This switches your TV and all connected HDMI devices to standby mode.

Network update

Press **MENU** on the remote control, then select **OPTIONS > Network Update**. Select **On/Off** to enable or disable the Network update function.

- When this function is on, the TV will automatically update channels if your DTV service provider updates his DTV network.
- When this function is off, you need to run the channel search again to get new channels or remove unavailable channels if your DTV service provider adds or removes channels from their DTV network.

Common interface

Encrypted digital TV channels can be decoded with a common interface module and a card provided by a digital TV service operator.

The common interface module may enable several digital services, depending on the operator and services you choose (for example, pay TV). Contact your digital TV service operator for more information about services and terms.

Use the common interface module

WARNING: Switch off your TV before inserting a common interface module. Be sure to follow the instruction described below. Wrong insertion of a common interface module may damage both the module and your TV.

1. Following the directions printed on the common interface module, gently insert the module into the common interface slot on the TV.
2. Push the module in as far as it will go.
3. Turn on the TV and wait for the common

interface function to be activated. This may take several minutes.

Note: Do not remove the common interface module from the slot. Removing the module will deactivate the digital services.

Access common interface services

After inserting and activating the common interface module, press **MENU** on the remote control and select **OPTIONS > Common Interface**.

This menu option is only available if the common interface module is correctly inserted and activated. On-screen applications and content are provided by your digital TV service operator.

Software update

Press **MENU** on the remote control and select **OPTIONS > Software Update**. Press **OK/>** to enter.

- **Current Version:** Checks the current version of the software.
- **Product Name:** Displays the product name of your TV.
- **Serial Number**(if available): Displays the serial number of your TV.
- **By Network:** Enables you to download and install the latest software version from the Internet. Make sure to set up a wired or wireless network connection first, then select **By Network** and press **OK/>** to enter. Follow the on-screen instructions to continue.

Note: Connect a USB device to your TV before you start software update.
- **By Channel:** Enables you to install the latest version of the software if available. Select **By Channel** and press **OK/>** to enter.
- Use **</>** to select **Yes** under **Auto Download** to automatically download the latest software if available. After the software has been downloaded successfully, you will be prompted to decide if you want to install it right now. If yes, follow the on-screen instructions to complete your installation. You can also select to ignore the installation here.
 - Select **No** under **Auto Download** to decline the automatic download.
 - Select **Manual Download** and press **OK/>** to start manual scanning the latest software. Follow the on-screen

instructions to complete. During the scan, press **OK/EXIT** to cancel or exit the process.

Change to Shop or Home mode

1. Press **MENU** on the remote control and select **OPTIONS > Location**.
2. Press **</>** to select your location **Shop** or **Home**.
3. Press **EXIT** to exit.

*Note: According to the regulation of European Commission 2009/125/EC, in Home mode the TV will be put into standby mode automatically if there is no operation in 4 hours. This feature can be deactivated in **OPTIONS** menu.*

MHEG function

Some digital TV broadcasters offer dedicated digital text or interactive services (for example, BBC1). These services work like normal Teletext with the addition of number, colour and navigation buttons.

1. Press **MENU** on the remote control and select **OPTIONS > Subtitle > Subtitle**.
2. Press **</>** to set **Subtitle** to **Off**.

*Note: MHEG and subtitles are mutually exclusive and cannot coexist on the same screen. If **Subtitle** is set to **On**, MHEG will not appear.*

3. Press the red button or **TEXT** on the remote control.
4. Press **^/v/</>** to select or highlight items.
5. Press **OK** to confirm or activate.
6. Press one of the colour buttons to select an option.
7. Press **TEXT** or **EXIT** to exit.

View photos, play music and watch videos from a USB memory stick

Your TV is fitted with a USB connector that enables you to view photos, listen to music or watch videos stored on a USB storage device.

Supported file formats:

Photo	JPEG
Music	MP3
Video	AVI, MP4, MPG, MPEG, TS, DIVX, MKV...

Notes: Some USB keys and USB products like digital cameras or mobile phones are not fully compatible with USB 2.0 standard so they may not work with the TV multimedia player. Not all USB keys or devices are

compatible with the USB function. Not all above formats are supported. The encoding formats of your files will determine whether or not they can be used.

When a USB device is detected, it enters the **MEDIA** menu directly. (**Alternative: Select **MEDIA** in the main menu and press **OK** to enter.**)

Photo

To display photos, if available.

1. Select **MEDIA > PHOTO**, then press **OK** to enter the main file content browser.
2. In the main file content browser, use **^/v/</>** to select a photo or an inner file folder.
3. Select an inner file folder, press **OK** to enter a sub file content browser.
4. Use **/</>** to select a photo in either main or sub file content browser, press **MENU** to display the photo menu in folder mode.
 - **Sort:** Sort folders and photos by modification Date or Name.
 - **Edit:** Copy, paste or delete a selected photo.
 - **Parser:** You can select **Recursive** to display photos from all sub file folders.
5. Select a photo, press **OK** to watch, and a slide show begins from the selected photo. Press **⏸** to pause the photo if you want to rotate the paused photo. Press **MENU** to display the photo menu in the browser mode. You can play, pause or rotate the photo, select different play modes and displaying effects, etc.
6. Press the related buttons on the remote control to perform the available functions shown on the function bar at the bottom of the TV screen.

Music

To playback music, if available.

1. Select **MEDIA > MUSIC**, then press **OK** to enter the main file content browser.
2. Use **^/v/</>** to select a song in either main or sub file content browser in the same way as in photo display function, press **MENU** to display the music menu in folder mode.
 - **Sort:** Sort folders and songs by Name, Genre, Artist or Album.
 - **Edit:** Copy, paste or delete a selected song.
 - **Parser:** You can select **Recursive** to

- display songs from all sub file folders.
3. Select a song, press **OK** to play, and automatic playback begins from the selected song. Press **MENU** to display the music menu in the browser mode. You can play or pause the song, select different play modes, etc.
 - **Show Lyrics:** This option is available for the songs with lyrics. Select it and use **</>** to turn on/off lyrics synchronized display.
 - **Audio Only:** Select and press **OK** to listen to the music with the screen turned off. Any key press will turn the screen on.
 4. Press the related buttons on the remote control to perform the available functions shown on the function bar at the bottom of the TV screen.

Video

To watch videos, if available.

1. Select **MEDIA > VIDEO**, then press **OK** to enter the main file content browser.
2. Use **^/V/</>** to select a video in either main or sub file content browser in the same way as in photo display function, press **MENU** to display the video menu in folder mode.
 - **Sort:** Sort folders and videos by Type, modification Date or Name.
 - **Edit:** Copy, paste or delete a selected video.
 - **Parser:** You can select **Recursive** to display videos from all sub file folders.
3. Select a video, press **OK** to watch, and automatic playback begins from the selected video. Press **MENU** to display the video menu in the browser mode. You can play or pause the video, select different play modes, screen modes and preset picture settings, etc.
4. Press the related buttons on the remote control to perform the available functions shown on the function bar at the bottom of the TV screen.

DivX video

(* not available for some models)

ABOUT DIVX VIDEO: DivX® is a digital video format created by DivX, LLC, a subsidiary of Rovi Corporation. This is an official DivX Certified® device that plays DivX video. Visit divx.com for more

information and software tools to convert your files into DivX videos.

ABOUT DIVX VIDEO-ON-DEMAND: This DivX Certified® device must be registered in order to play purchased DivX Video-on-Demand (VOD) movies.

Obtain your registration code:

- Press **MENU** on the remote control.
- Select **OPTIONS > DivX(R) Registration**.
- Press **OK/>** and your registration code will be displayed.

Go to vod.divx.com for more information on how to complete your registration.

Deregister your TV:

If you wish to deregister your TV,

- Press **MENU** on the remote control.
- Select **OPTIONS > DivX(R) Deregistration**.
- Press **OK/>** and a message will guide you. DivX®, DivX Certified® and associated logos are trademarks of Rovi Corporation or its subsidiaries and are used under license.

Time detection

You can detect the time from digital channels through following operations.

1. Press **MENU** on the remote control and select **OPTIONS > Timer > Clock > Auto Synchronization**.
2. Press **</>** to select **On**.

Assign a channel decoder

Decoders that decode analogue channels can be connected to the AV connector. Assign the TV channel as a channel to be decoded. Then assign the connection where the decoder is connected.

1. Press **MENU** on the remote control and select **SETUP > Decode**.
2. Press **OK/>** to enter the list.
3. Press **^/V** to select the channel to decode.
4. Press **OK** to select or unselect the channel.
5. Press **BACK** to return to the previous menu.

Diagnostics on digital TV channels

1. Press **MENU** on the remote control and select **SETUP > Diagnostics**.
2. Press **OK/>** to display some signal information on the current digital channel, such as signal strength, frequency, etc.

Time Shift

Allows you to pause, rewind and forward in a programme. The first time you use this function, make sure to connect a USB memory stick.

Note: Due to specific country requirements, the Time Shift function is not available for Finland.

1. Press **MENU** on the remote control and select **SETUP > Time Shift**.
2. Press **</>** to select **On** to switch on the Time Shift function, then press **EXIT** to close the menu.
3. Press **OPTION** on the remote control and select **Time Shift**, then press **OK** to confirm.
4. Follow the directions on the screen to do the setup.
5. After the disk setup is done, press **OPTION** and select **Time Shift**.
6. Press **OK** to display the Time Shift menu.
 - Press the **⏸** button to pause the picture and begin the Time Shift.
 - Press the **⏮** button to play the recorded part.
 - When the Time Shift menu disappears and only the timing of the Time Shift remains on the screen, you can press the **⏸** button or **OK** to access the Time Shift menu.
 - Press the **⏪** button to fast backward or the **⏩** button to fast forward.
 - Press the **■** button to quit the Time Shift function.

Notes:

- Before you connect the USB memory stick to the TV, make sure you have backed up the data in the device to avoid the risk of losing important data due to unforeseen malfunction.
- We recommend you use a USB device with free capacity above 1GB and disk speed faster than 5.0MB/sec.
- The bigger the file size for Time Shift, the longer the recording time.
- If you change the channel in Time Shift

*mode, a message prompts you to select **Yes** or **No**. You can select **Yes** to exit the Time Shift function and execute the channel change.*

Reset shop

Allows you to reset the TV to factory default settings.

1. Press **MENU** on the remote control and select **SETUP**, then press **OK** to confirm.
2. Select **Reset Shop** and press **OK/>** to enter.
3. Use the digit buttons to enter the password.
4. Press **</>** to select **OK** and press **OK** to confirm.
5. The **Initial Setup** menu appears. Follow the related instructions.

Customising the input settings

Allows you to configure your TV for external input devices, such as a set-top box, Blu-Ray player, computer or game console.

1. Press **MENU** on the remote control and select **SETUP > Input Settings**.
2. Press **OK/** to enter Input Settings.
3. Press **^/v** to select the port the input device is connected to.
4. Press **</>** to select the type of device. Press **</>** to assign a name to the device.
5. Press **BACK** to return to the **SETUP** menu.

After configuring, the selected source label will be displayed after the name of the related connector in the source list when pressing **SOURCE** on the remote control or **OK** on the TV.

Use Electronic programme guide

EPG is an on-screen guide that displays scheduled TV programmes. You can navigate, select, view and record programmes.

1. Press **GUIDE** on the remote control, the **Now and Next EPG** menu will appear, which allows you to get information about the current or next programme playing on each channel. Navigate through the different programmes using the navigation buttons on the remote control.
2. Use the colour buttons to view the **8 Days EPG**.

- **Prev Day** (Red): List the previous day's EPG.
 - **Next Day** (Green): List the next day's EPG.
 - **View Detail** (Yellow): Display the description of this programme if available.
 - **Type Filter** (Blue): Programme guide filter for digital TV programmes.
 - Press the blue button to display the programmes' type and subtype lists.
 - Navigate through the different types and subtypes using the navigation buttons on the remote control.
 - Select one or more types, which you want to highlight from the Type list, press **OK** to select (or deselect). A checkmark will appear to the left of the type when selected. When you select a type, all its subtypes will be selected accordingly.
 - Also, you can select some desired subtypes without selecting any type first.
 - Press the blue button to exit the type and subtype list.
 - After filtering, all your desired digital TV programmes will be highlighted.
 - **Add Schedule** (Option): Press **OPTION** on the remote control to bring up the **Schedule List** menu. For details on scheduled recording, refer to the **Schedule List** section.
3. Press **GUIDE/EXIT** to exit the EPG and switch to the selected channel.

PVR(Personal Video Recorder)

Allows you to record your favourite TV programme. Before you use the function, connect a USB-memory stick to the set first.
Note: Due to specific country requirements, the PVR function is not available for Finland.

1. Press **OPTION** on the remote control and select **QUICK ACCESS > PVR**.
2. Press **OK/>** to enter.

Shortcut operation: Press **REC** on the remote control to enter the PVR menu directly.

3. Press:
 - the **REC** button to start recording, the record file is put into a PVR folder in **MEDIA > VIDEO**;
 - the **■** button to stop recording manually; if the recording duration finishes, the recording will stop automatically.
 - **^/v/</>** to adjust the recording duration.

4. When recording, PVR mini pane will also show on the screen to indicate the recording progress.
5. To watch the recorded programme, exit PVR mode first and go to **MEDIA > VIDEO**. Select the folder PVR, then select the related record file. Press **OK** to play. (It is the same if you record a digital radio programme).

Notes:

- *When CI+ card is used, PVR function will be disabled.*
- *Only available for digital channels.*
- *Only supports USB memory device of FAT32 format.*
- *Before you connect the USB memory stick to the TV, make sure you have backed up the data in the device to avoid the risk of losing important data due to unforeseen malfunction.*
- *The bigger the USB-memory stick memory size for the PVR function, the longer the recording time.*
- *If you want to change channel or signal source during recording, store the recording data before changing the channel or source.*
- *The TV cannot play files normally if the parameters of the file exceed the limitations of the system, the file format is not supported, the file is damaged, or the file cannot be decoded.*
- *Do not disconnect the USB memory stick when the system is reading a file or transmitting data, otherwise the system or the device may be damaged.*

Schedule List

This function is used to perform scheduled recording.

1. Press **OPTION** on the remote control and select **QUICK ACCESS > Schedule List**.
2. Press **OK** to display the **Schedule List**.
3. To add a schedule into your schedule list, press the red button first to display **Schedule List**. Then,
 - **Channel Number:** use **</>** to select the channel number.
 - **Start Date:** use the digit buttons to set the recording date.
 - **Start Time:** set the starting time of the recording.
 - **Stop Time:** set the stopping time of the recording.

- **Schedule Type:**
- Set **Reminder** to be reminded that you can switch to the scheduled programme when the time you have set comes. When time is out and you do not execute any operation, the dialog box will disappear and no further operation will be executed.
- Set **Record** to check if you really want to start your scheduled recording when the time you have set comes. When time is out and you do not execute any operation, scheduled recording will start automatically.
- **Repeat Type:** set different repeat modes for the recording.
- 4. Press **^/V/</>** to select **Add**, then press **OK** to add the schedule you set into your schedule list.
- 5. Press the red button to repeat above procedures to add another schedule.
- 6. If you wish to edit or delete a schedule, select it and press **OK** to enter.
- 7. Press **EXIT** to close the menu.

Network connection

You can set up your TV so that it can access the Internet through your local area network (LAN) using a wired or wireless connection.

Connecting to a wired network

You can attach your TV to your LAN using cable in three ways:

- You can attach your TV to your LAN by connecting the LAN port on your TV to an external modem using a Cat 5 cable.
- You can attach your TV to your LAN by connecting the LAN port on your TV to an IP Sharer, which is connected to an external modem. Use Cat 5 cable for the connection.
- Depending on how your network is configured, you may be able to attach your TV to your LAN by connecting the LAN port on your TV directly to a network wall outlet using a Cat 5 cable. Note that the wall outlet is attached to a modem or router elsewhere in your house.

Select **SETUP > Network > Settings > Interface**, then select **Ethernet** to connect to a wired network.

Connecting to a wireless network

To connect your TV to your network wirelessly, you need a wireless router or modem and a WIFI-adaptor, you will have to

buy one separately. Connect WIFI-adaptor to your TV's USB 1 port.

1. Select **SETUP > Network > Settings > Interface**, then select **Wireless** to connect to a wireless network.
2. Select **Wireless Setting** and press **OK/>** to enter.
3. **Connection Methods:** You can setup the wireless network connection three ways.
 - **Scan**
 - Select **Wireless Setting > Scan**, then press **OK/>**, the TV will scan all access points within range. The access points found by the TV will be displayed.
 - Select an available access point, then press **OK/>** to connect the TV.

Notes:

- *If you select a protected access point, you will have to enter the corresponding password. Press **OK** on the remote control to display the virtual keyboard to enable you to enter the password.*
- *This TV has a memory function of available access point, which enables your TV to be connected to the network even if you switch on the TV after power off.*
- **Manual**
Select **Wireless Setting > Manual**, then press **OK/>**, you will be prompted to enter the correct SSID of an available wireless router to set up the connection.
- **Auto**
If your AP supports WPS (Wi-Fi Protected Setup), you can connect to the network via PIN (Personal Identification Number) or PBC (Push Button Configuration). WPS will automatically configure the SSID and WPA key in either mode.
Select **Wireless Setting > Auto**, then press **OK/>** to enter.
- **PIN:** Select **PIN** and press **OK/>** to enter. Generate a random PIN code. Make sure this code is installed on the AP. (For the procedures, refer to your router manual.) Press **OK/>** again to set up the connection.
- **PBC:** If your router has a PBC push button, select **PBC**, then press **OK/>** to enter. Press the PBC push button on your router within 2 minutes after you press **OK/>** again. Your TV will automatically acquire all the network setting values it

needs and connect to your network.

Network setup

1. Press **MENU** on the remote control and select **SETUP > Network > Settings > Internet Connection**. Press **</>** to select **On**. Wait until the connection is automatically established.
2. Select **SETUP > Network > Settings > Connection Test**, then press **OK/>** to check the Internet connectivity. If it does not work, follow below steps to make sure of the connectivity.
3. Select **SETUP > Network > Settings > IP Setting**, then press **OK/>** to enter the **IP Setting** menu.
 - Set **Address Type** to **Auto**, it will acquire and enter the needed IP address automatically.
 - You can follow below steps to enter your IP address manually.
 - Set **Address Type** to **Manual**, then press **V** to go to the first entry field.
 - Enter the **IP Address, Subnet Mask, Default Gateway, Primary DNS and Secondary DNS** values. Use the digit buttons to enter numbers and the arrow buttons to move from one entry field to another.
 - After setting, select **Setup > Network > Settings > Connection test** to check the Internet connectivity again.
4. Select **SETUP > Network > Settings > Information**, then press **OK/>** to display the information on current connection, such as Interface, Address type, IP address, etc.

Browse PC through Share & See

If you have photos, videos or music files stored on a computer connected through a home network, you can play your files on your TV.

Connecting to your PC

Make sure to set up a wired or wireless connection from your TV to a router first. Then connect your PC to your router either through a network cable or wirelessly. Also make sure **SETUP > Network > Settings > Internet Connection** is **On** and your computer firewall won't block the connection.

Enabling Share & See function

Select **SETUP > Network > Applications > Share & See**, and set it to **On**.

Follow the steps in turn specified hereafter.

Adding media from your PC for sharing

Install a Share & See media server on your PC. The simple and familiar server you may install is Microsoft Windows Media Player 11. Allow your TV to share the designated files on your PC.

1. Open the Microsoft Windows Media Player 11.
 - Select **Library > Media sharing**.
 - Check the checkbox **Share my media to**.
 - Select the icon of the TV connected to your PC.
 - Select **Allow** to allow the TV to access your PC, and select **OK** to enable your allowing.

*Note: Use the **Settings** button to customize your desired settings.*

2.
 - Select **Library > Add to Library**.
 - Select your personal folders or folders of other users that you can access for sharing.
 - Select **Add** and press **OK** to enable your adding.

Share & See application

Select **MEDIA** in the main menu and press **OK** to enter media center. Then you can view photos, listen to music or watch videos, which are stored on your PC.

Smart TV

Allows you to enjoy internet applications (Apps), specially adapted internet websites for your TV. You can control the Apps with the TV remote control.

WARNING:

- Configure the network settings before using **Smart TV**.
- Slow responses and/or interruptions may occur, depending on your network conditions.
- If you experience a problem using an application, please contact the content provider.
- According to circumstances of the contents provider, an application's updates or the application itself may be

discontinued.

- Depending on your country's regulations, some applications may have limited service or not be supported.

Access Smart TV Applications (Apps)

1. Select **SMART TV** in the main menu and press **OK** to display the smart TV home page.

Shortcut operation: Press **SMART TV** on the remote control to display the smart TV home page directly.

1. Use **▲/▼/◀/▶** to select an App and press **OK** to enter.

HbbTV

Some broadcasters of digital channels offer interactive HbbTV (Hybrid Broadcast Broadband TV).

With HbbTV, broadcasters combine their normal TV programme with all kinds of information or entertainment. You can browse this information interactively.

To fully enjoy HbbTV, you need to connect your TV to the internet.

Note: You cannot download files to your TV with this feature.

Access HbbTV

When you tune to a TV channel that offers HbbTV, press the red button to open the interactive pages. Then use **▲/▼/◀/▶** to navigate the HbbTV pages and press **OK** to confirm.

Notes for password in Parental Control Lock function:

- *The default password is 1234. You can change it to a new one.*
- *The super password is 0423. If you forget your code, enter the super password to override any existing codes.*

Screen resolution:

- 1920X1080

Contact IKEA

If you have any questions regarding your new UPPELEVA TV or Sound System or need service or support, contact IKEA Customer Service at www.IKEA.com.

To be sure we can give you the best possible assistance, please read the manual carefully before contacting us. And have the article number for your purchase at hand when you call. You'll find this 8-digit article number on your receipt or on the back of your UPPELEVA TV or Sound System.

Wichtige Informationen

Sicherheit

Sicherstellen, dass die Netzspannung zu Hause der auf dem Typenschild auf der Geräterückseite angegebenen Spannung entspricht. Wird der Netz- oder der Gerätestecker als Trennvorrichtung verwendet, muss diese Trennvorrichtung immer betriebsbereit und einfach zugänglich sein.

Bei einigen Modellen befindet sich die Anzeigeleuchte auf der Seite des TV-Geräts. Ist an der Vorderseite keine Leuchtanzeige zu sehen, bedeutet dies nicht, dass das Gerät vollständig vom Netz getrennt ist. Um das TV-Gerät vollständig vom Netz zu trennen, muss der Netzstecker gezogen werden.

Die Bestandteile des TV-Geräts sind hitzeempfindlich. **Die maximale Umgebungstemperatur darf 35° C nicht überschreiten.** Die Belüftungsöffnungen an der Rückseite oder den Seiten des TV-Geräts nicht abdecken. Um das Gerät herum genügend Platz frei lassen, um eine richtige Belüftung zu ermöglichen. Das Gerät nicht in der Nähe von Wärmequellen (offener Kamin usw.) oder von Geräten aufstellen, die starke elektrische oder Magnetfelder erzeugen.

Die Feuchtigkeit in den Räumen, in denen das Gerät aufgestellt wird, darf 85 % Luftfeuchtigkeit nicht übersteigen. **Das Gerät darf weder Tropfwasser noch Spritzwasser ausgesetzt werden. Keine mit Flüssigkeiten gefüllten Objekte wie Vasen auf das Gerät stellen.** Wird das Gerät von einem kalten an einen warmen Ort gebracht, kann sich auf dem Bildschirm (und auf bestimmten Bestandteilen im Geräteinneren) Kondensation bilden. Eventuelles Kondenswasser verdampfen lassen, bevor das TV-Gerät wieder eingeschaltet wird.



WARNUNG

Das Gerät nicht in der Nähe von Kerzen oder anderen offenen Flammen aufstellen, um die Ausbreitung von Bränden zu verhindern.

Mit ϕ oder **POWER**/ ϕ auf dem Fernseher oder der Fernbedienung wird das Gerät ein- oder ausgeschaltet (Stand-by-Modus). **Wird der Fernseher für längere Zeit nicht benutzt**, wird es komplett ausgeschaltet, wenn der Netzstecker aus der Steckdose gezogen wird.

Bei **Gewittern** sollte der Fernseher vom Netz getrennt und die Antenne abgenommen werden, damit er nicht durch elektrische oder elektromagnetische Stromspitzen beschädigt werden kann. Die **Netz- und Antennenanschlüsse** sollten daher leicht zugänglich sein, damit sie bei Bedarf **getrennt** bzw. abgenommen werden können.

Den Fernseher sofort **vom Netz trennen**, wenn von diesem **Brandgeruch oder Rauch** ausgeht. Das Gerät unter keinen Umständen selbst öffnen, da die Gefahr eines **elektrischen Schlags** besteht.

TV-Bildschirm

Der Bildschirm dieses Geräts besteht aus Glas. Er kann beim Herunterfallen zerbrechen oder wenn er stark angestoßen wird.

Der Bildschirm ist ein Hochtechnologieprodukt und liefert ein detailliertes Bild. Gelegentlich können einige nicht aktive Pixel auftreten, die als blaue, grüne oder rote Punkte wahrgenommen werden. Dies beeinflusst nicht die Leistung des Geräts.

Pflege

Zur Reinigung des Bildschirms einen Glasreiniger und für das übrige Gerät ein weiches Tuch und ein mildes Reinigungsmittel verwenden.

Wichtig: Bei Verwendung von starken Reinigungsmitteln sowie alkoholhaltigen Produkten oder Scheuermitteln könnte der Bildschirm beschädigt werden.

Regelmäßig den Staub von den Belüftungsöffnungen an den Seiten und auf der Rückseite entfernen. Bei Verwendung von Lösungsmitteln, alkoholhaltigen Produkten oder Scheuermitteln könnte das TV-Gerät beschädigt werden. Sollten Gegenstände oder Flüssigkeiten in das Gerät eindringen, sofort vom Netz trennen und von einem autorisierten Techniker prüfen lassen. Das Gerät niemals selbst öffnen, da man sich dadurch selbst gefährdet oder das Gerät beschädigen könnte.

Wandmontage des Fernsehers

WARNUNG: Dazu sind 2 Personen erforderlich.

Für eine sichere Montage die folgenden Sicherheitshinweise beachten:

- Überprüfen, ob die Wand das Gewicht des Fernsehers und der Wandaufhängung tragen kann.
- Die Montagehinweise befolgen, die der Wandaufhängung beigelegt sind. Bei bestimmten Modellen darauf achten, die mitgelieferte Lochplatte (mit Schrauben) der sechseckigen VESA-Wandhalterung in die Muttern für die Wandhalterung auf der Rückseite des Fernsehers einzuschrauben, bevor die Wandhalterung angebracht werden.
- Der Fernseher muss an einer senkrechten Wand montiert werden.
- Darauf achten, dass für das Wandmaterial geeignete Schrauben verwendet werden.
- Darauf achten, dass die Kabel des Fernsehers so verlegt werden, dass niemand darüber stolpern kann.

Alle anderen Sicherheitshinweise über unsere Fernseher sind hier ebenfalls maßgeblich.

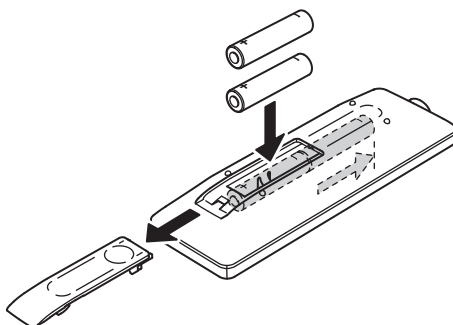
Tischaufstellung des Fernsehers

Vor der Aufstellung des Fernsehers prüfen, dass die Fläche das Gewicht tragen kann.

Das Gerät nicht auf instabile Flächen (z. B. bewegliche Regale, am Rand von Möbelstücken usw.) stellen und darauf achten, dass das Gerät nicht über die Aufstellfläche hinausragt.

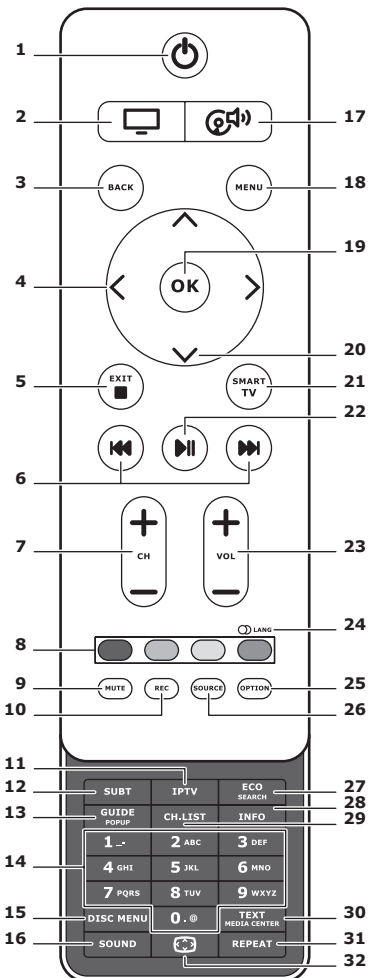


Dieses Produkt wurde aus hochwertigen Materialien und Bauteilen, die recycelfähig und wiederverwertbar sind, entwickelt und hergestellt. Dieses Symbol bedeutet, dass elektrische und elektronische Geräte am Ende ihrer Nutzungsdauer nicht mit dem Hausmüll entsorgt werden dürfen, um mögliche negative Auswirkungen auf Umwelt und Gesundheit zu vermeiden. Bitte bei der lokalen Recycling-/Altstoffsammelstelle entsorgen. In der Europäischen Union gibt es spezielle Wiederverwertungssysteme zur Sammlung von Elektro- und Elektronikschrott. Bitte mithelfen, unsere Umwelt zu schützen!



Funktionen der Fernbedienung

Die meisten Funktionen des Fernsehers sind über die Bildschirmmenüs zugänglich. Mit der mitgelieferten Fernbedienung kann man durch diese Menüs navigieren und alle Einstellungen vornehmen.



1. Standby / Standby verlassen.
2. Mit der Fernbedienung den TV-Modus einstellen.
3. **BACK**
Zum vorhergehenden Menü zurückkehren; zum vorhergehenden Sender zurückkehren.
4. **<>**
Navigation in den Menüs; Funktionen und Werte einstellen. **>** öffnet außerdem das entsprechende Untermenü.
5. **EXIT/■**
Menü oder Teletext beenden; einige Funktionen beenden.
6. **⏮**
Zurück- oder Vorspulen (während Medien-Funktion gedrückt halten); zum nächsten oder vorhergehenden Foto, Lied oder Video springen.
7. **CH+/-**
Sender wechseln.
8. **Farbtasten**
Aufgaben oder Teletextseiten auswählen. Die rote Taste kann auch für die MHEG-Funktion verwendet werden.
9. **MUTE**
Ton aus- und wieder einschalten.
10. **REC**
Sendung aufzeichnen.
11. **IPTV**
Keine Funktion.

12. SUBT

Eine für die eingeschaltete digitale TV-Sendung verfügbare Untertitelsprache auswählen.

13. GUIDE

Die elektronische Programmübersicht (EPG) ein- oder ausblenden (nur für digitale Sender verfügbar).

14. 0-9

Sendernummer eingeben; für einige Funktionen Buchstabe, Zahl oder Symbol eingeben.

15. DISK MENU

Keine Funktion.

16. SOUND

Einen voreingestellten Soundmodus auswählen.

17. 

Mit der Fernbedienung den Modus Soundsystem einstellen.

18. MENU

Hauptmenü einschalten; das virtuelle Keyboard während der Smart-TV-Funktion aktivieren oder verlassen.

19. OK

Eingabe oder Auswahl bestätigen; Bild im digitalen TV-Modus anhalten/freigeben.

20. 

Navigation in den Menüs; Menüoptionen auswählen.

21. SMART TV

Smart-TV-Homepage anzeigen.

22. 

Wiedergabe/Pause.

23. VOL+/-

Lautstärke einstellen.

24.  LANG

Eine für die eingeschaltete analoge TV-Sendung verfügbare Tonart auswählen; eine für die eingeschaltete digitale TV-Sendung verfügbare Audiosprache auswählen.

25. OPTION

Anzeige des Funktionsmenüs zum Ausüben verschiedener Funktionen; Teletextseiten in verschiedenen Modi anzeigen.

26. SOURCE

Ein angeschlossenes Gerät auswählen.

27. ECO

Den gewünschten Energiesparmodus einstellen.

28. INFO

Informationen zur Sendung anzeigen, sofern verfügbar.

29. CH.LIST

Senderliste anzeigen.

30. TEXT/MEDIA CENTER

Teletext ein- oder ausblenden.

31. REPEAT

Keine Funktion.

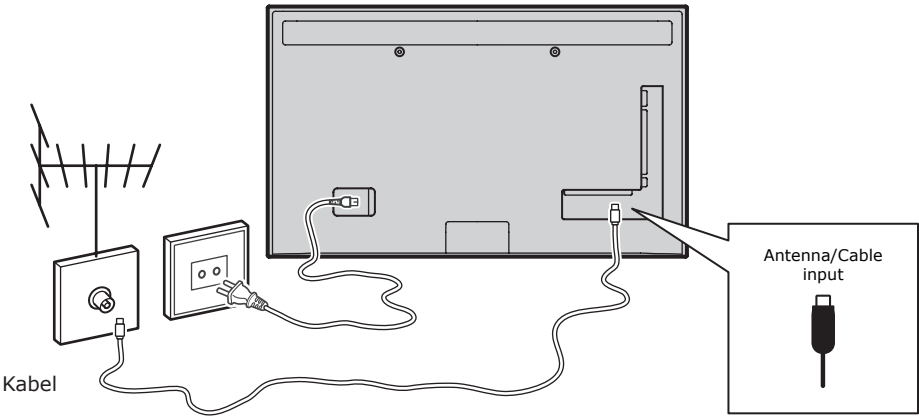
32. 

Bildformat einstellen.

Hinweis: Die Einstellung des Vollbildmodus wird empfohlen. Den Anzeigemodus mit schwarzen Balken auf beiden Seiten des Bildes (z. B. 4:3) nicht über einen langen Zeitraum verwenden, da dadurch der Bildschirm dauerhaft beschädigt werden könnte.

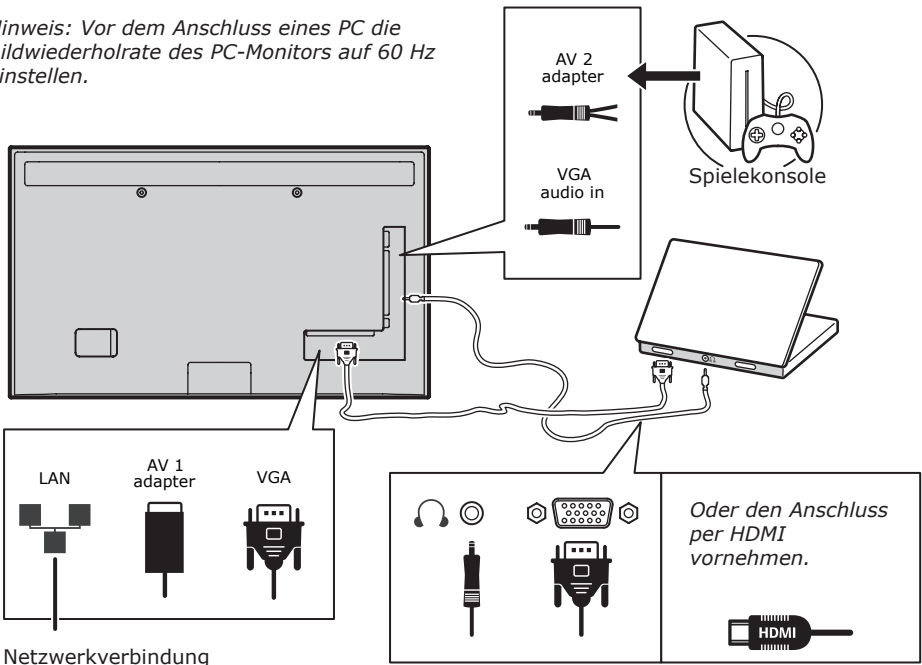
Netzanschluss und Anschluss der Antenne

Nach dem Anschluss des Netzkabels ⏻ oder **POWER**/ ⏻ drücken, um das Gerät einzuschalten.
Hinweis: Die Position der Steckdose ist vom jeweiligen Modell abhängig. Bei einigen Modellen muss zunächst der Netzschalter betätigt werden.

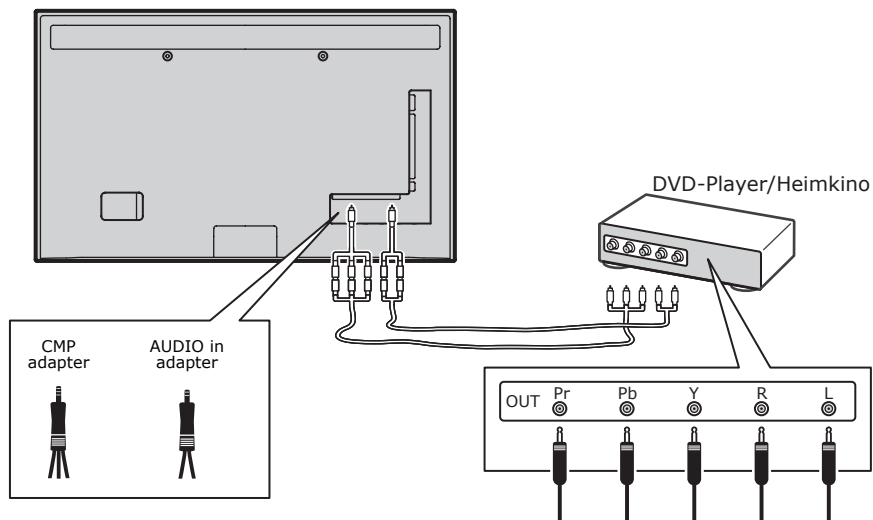


Spielekonsole, PC

Hinweis: Vor dem Anschluss eines PC die Bildwiederholrate des PC-Monitors auf 60 Hz einstellen.



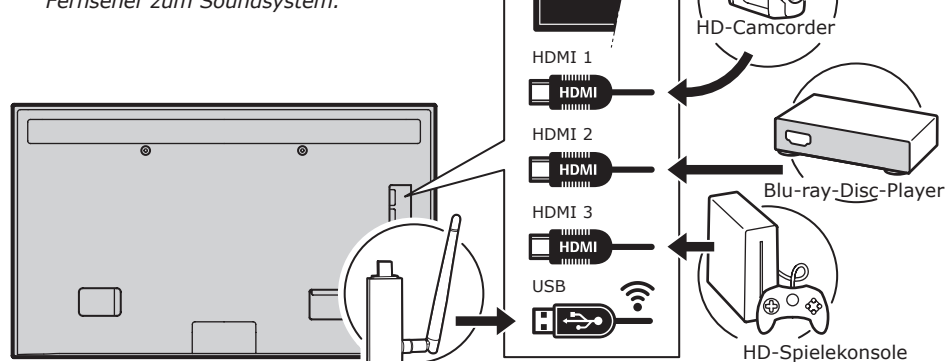
DVD-Player oder Heimkino



Blu-ray-Disc-Player, Kopfhörer, HD-Spielekonsole & HD-Camcorder

Hinweise:

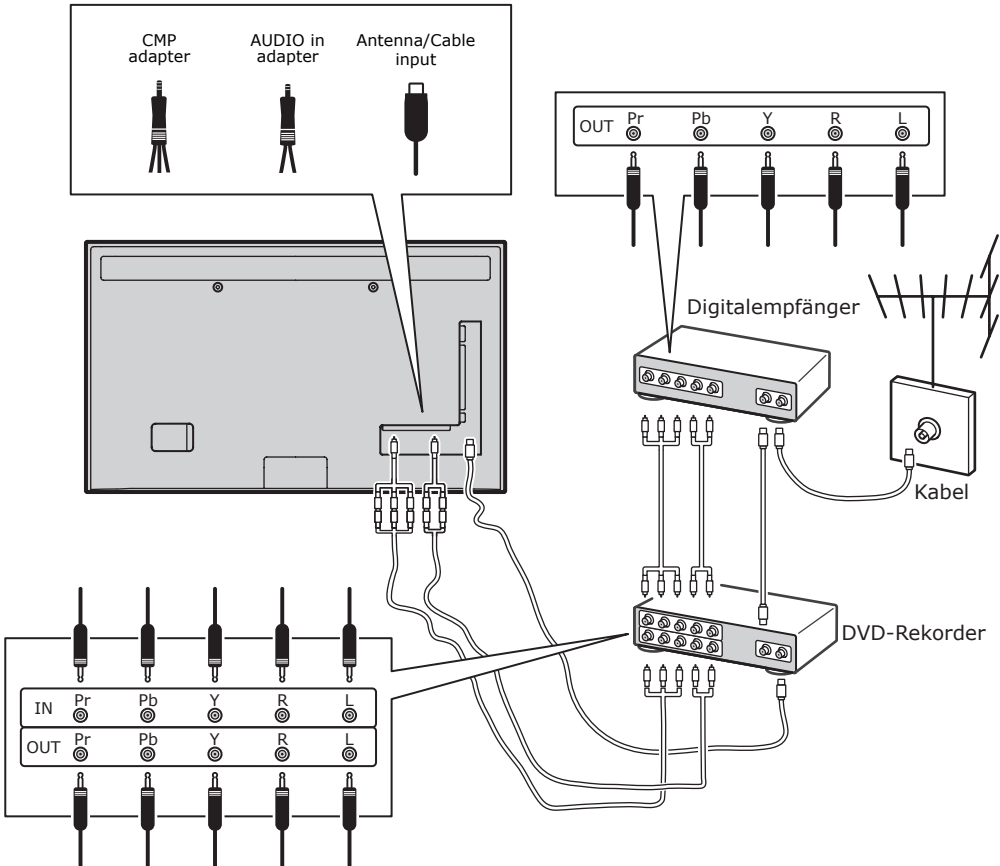
- USB-Anschlüsse sind für den Dateneingang von USB-Speichergeräten. Nur der Port USB 1 kann mit dem USB-Stick verbunden werden.
- Ein übermäßiger Schalldruckpegel von Kopf- und Ohrhörern kann zu Gehörverlust führen.
- Die Anzahl der HDMI-Anschlüsse kann variieren.
- ARC-Funktion (Audio-Rückkanal) wird nur von Port HDMI 4 (ARC) unterstützt. Empfohlen zum Anschluss des Heimkinos über HDMI-Kabel an den HDMI-ARC-Anschluss zur Tonübertragung vom Fernseher zum Soundsystem.



DVD-Player, Kabelempfang

Hinweis:

Das Netzkabel entfernen, bevor andere Geräte angeschlossen werden.



Hinweise:

- Diese Abbildungen dienen nur der Veranschaulichung. Das gewählte Modell kann sich im Aussehen von diesem unterscheiden oder nicht über alle gezeigten Anschlüsse verfügen.
- Die Steckdose am Fernsehgerät kann je nach Modell unterschiedlich positioniert sein.
- Je nach Modell können die Positionen und Beschriftungen der Funktionstasten und Anschlüsse abweichen.

Wichtig:

Wenn die Fernbedienung über einen längeren Zeitraum nicht verwendet wird, die Batterien entnehmen und entsprechend lagern. Mit beschädigten oder auslaufenden Batterien vorsichtig umgehen. Falls die Fernbedienung mit zwei Batterien betrieben wird, alte und neue Batterien nicht mischen. Die Batterie darf keiner übermäßigen Hitze wie Sonne, Feuer oder ähnlichem ausgesetzt werden. Explosionsgefahr bei unsachgemäßem Austauschen der Batterie. Nur mit dem vom Gerätehersteller empfohlenen gleichen oder ähnlichen Batterietyp ersetzen. Batterien gemäß den Anleitungen des Herstellers entsorgen. Bei der Entsorgung von Altbatterien örtliche Recycling- und Entsorgungsvorschriften beachten und an das örtliche Abfallunternehmen wenden. Wenn die Batterien der Fernbedienung leer sind, können auch die Tasten am TV-Gerät benutzt werden. Im TV-Modus haben diese Tasten dieselbe Funktion wie die entsprechenden Tasten auf der Fernbedienung. In den Menüs haben sie die folgenden Funktionen:

CH ^	^
CH v	v
VOL >	>
VOL <	<
MENU/☰	MENU
OK/☑	OK

Ein-/Ausschalten des Fernsehgerätes

1. Beim Einschalten wird das Fernsehgerät entweder direkt eingeschaltet oder in den Standby-Modus versetzt. Wenn sich das Fernsehgerät im Standby-Modus befindet, die Taste **⏻** drücken oder **POWER/⏻** am Gerät oder die Taste **⏻** auf der Fernbedienung, um ihn einzuschalten.
2. Um das Fernsehgerät in den Standby-Modus zu versetzen, die Taste **⏻** oder **POWER/⏻** am Gerät drücken oder die Taste **⏻** auf der Fernbedienung. Das Fernsehgerät bleibt eingeschaltet, allerdings mit niedrigem Energieverbrauch.
3. Um das Fernsehgerät vollständig

auszuschalten, den Netzstecker aus der Steckdose ziehen. (**Einige Modelle müssen zunächst mit dem Hauptschalter eingeschaltet werden.*)

Ersteinrichtung

Bei der Ersteinrichtung werden alle Einstellungen ausgewählt, die zur Suche und Speicherung aller analogen und digitalen Kanäle, die empfangen werden können, benötigt werden.

Sicherstellen, dass das Fernsehgerät eingeschaltet ist, und die folgenden Schritte nacheinander befolgen.

Hinweis: Wenn die Sendersuche analoge Kanäle findet, kann dies an niedriger Sendeleistung liegen und wird deshalb nicht von der Herstellergarantie gedeckt. Hersteller können nicht für fehlende oder schlechte Ausstrahlung in einigen Gebieten verantwortlich gemacht werden.

Beim ersten Einschalten des Fernsehers wird der Assistent Initial Setup (Erstinstallation) angezeigt, der durch die Erstinstallation führt (siehe Abbildung 1). Mit OK wird die Erstinstallation gestartet.

1. **^/v** drücken, um die Sprache zu wählen, dann **OK/>** drücken, um zum nächsten Schritt zu gelangen.
2. **^/v** drücken, um das Land auszuwählen, dann **OK/>** drücken, um zum nächsten Schritt zu gelangen.

Hinweis: Wenn France (Frankreich) ausgewählt wird, muss danach das Menü Password Setting (Kennworteinstellung) aufgerufen werden, um ein Kennwort einzugeben. Mit den Zifferntasten eine vierstellige Zahl als Passwort eingeben. Die Zahl zur Bestätigung des Passwortes wiederholen. (0000 ist als Passwort nicht geeignet, da es zu einfach ist.) Anschließend wird man automatisch zum nächsten Schritt geführt (in diesem Schritt kann nur BACK zur Rückkehr in das vorherige Menü gedrückt werden).

3. **^/v** drücken zur Auswahl des Tunermodus als **Antenna (Antenne)**, **Cable (Kabel)** oder **Satellite (Satellit)**. (*Hinweis: Die Option Satellite (Satellit) ist nicht für alle Modelle verfügbar.*)
 - **Air (Antenne) wählen.**
 - **Zum Aufrufen OK/>** drücken.
 - Digital & Analogue (Digital & Analog), Digital (Digital) oder Analogue (Analog)

- wählen, dann **OK/>** drücken.
- **Λ/V** drücken, um **Scan (Scannen) auszuwählen**, dann **OK/>** drücken, um die automatische Suche nach allen DVB-T Digital- bzw. Analogkanälen zu starten.
 - **Cable (Kabel) wählen.**
 - Zum Aufrufen **OK/>** drücken.
 - Digital & Analogue (Digital & Analog), Digital (Digital) oder Analogue (Analog) wählen, dann **OK/>** drücken.
 - **Λ/V** drücken, um **Scan (Scannen) auszuwählen**, dann **OK/>** drücken zum Direktstart der Erstinstallation oder den nachstehenden Schritt aufrufen.
 - Full (Voll) zur Suche und Speicherung aller digitalen und analogen DVB-C-Kanäle wählen, falls verfügbar.
 - Es kann ein anderer erweiterter Scanmodus ausgewählt werden, wenn ein solcher verfügbar ist (zum Beispiel Advanced (Erweitert)). Dann die richtigen Kabeleinstellungen wie unten beschrieben vornehmen. Die Zifferntasten verwenden, um die Werte für Frequenz, Symbol-rate und Netzwerk-ID einzustellen. **</>** verwenden, um einen **Modulationsmodus auszuwählen**.
 - OK drücken, um die Erstinstallation aller digitalen und analogen DVB-C-Kanäle zu starten. (*Hinweis: Die Option Satellite (Satellit) ist nicht für alle Modelle verfügbar.*)
 - **Satellite (Satellit) wählen.**
 - Zum Aufrufen **OK/>** drücken.
 - **Λ/V** drücken, um **Scan (Scannen) auszuwählen**, dann **OK/>** drücken, um den nächsten Schritt für die Konfiguration der korrekten Satelliten- und Antenneninformationen auszuführen.
 - Mit OK wird die Erstinstallation der Satellitenkanäle gestartet.

Hinweis: Auff die Meldung warten, dass die Installation abgeschlossen ist, damit die Einrichtung der Sender nicht unterbrochen wird.

4. Bevor mit der Suche begonnen wird, kann auch Skip Scan (Suche nicht durchführen) ausgewählt werden, um den Prozess der Ersteinrichtung abzubrechen.
5. Während der Einstellung den Hinweisen unten auf dem Bildschirm zur Rückkehr in das vorherige Menü folgen, indem BACK gedrückt wird. Alternativ EXIT drücken, um das Menü zu verlassen oder

die Suche zu unterbrechen.

6. Nach Abschluss der automatischen Suche wird automatisch der nächste Schritt gestartet. **Λ/V** drücken zur Auswahl des Standortes **Shop** (Geschäft) oder **Home (zu Hause)**. **OK/>** drücken, um die Auswahl zu bestätigen und den letzten Schritt auszuführen.
7.
 - In diesem Schritt OK drücken, um die Erstinstallation zu verlassen. Die Kanäle werden in einer voreingestellten Reihenfolge sortiert. Zum Überspringen von Kanälen, der Änderung der Reihenfolge der Senderspeicher oder zum Umbenennen von Kanälen **SETUP > Organisier** (Installieren > Organisier) wählen und **OK/>** zum Aufrufen drücken.
 - In diesem Schritt BACK drücken, um zum vorherigen Schritt zurückzukehren.

Sender automatisch programmieren

Dieser Abschnitt beschreibt, wie man automatisch Sender suchen und speichern kann. Die Hinweise gelten für analoge und digitale Sender.

1. Die Taste **MENU** auf der Fernbedienung drücken und **SETUP > Language > Menu Language (Installieren > Sprache > Menüsprache) auswählen**. **</>** drücken, um die Menüsprache auszuwählen.
2. **BACK** drücken, um zum **SETUP (Installieren) zurückzukehren**, **Λ/V** drücken zur Auswahl von **Country (Land)**, dann **</>** drücken zur Auswahl des Landes. Das TV-Gerät wird gemäß dem Land installiert. Die Sender werden ebenfalls entsprechend dem Land sortiert.
3. **Λ/V** drücken zur Auswahl des Tunermodus, dann **</>** drücken, um **Antenna (Antenne), Cable (Kabel) oder Satellite (Satellit)** auszuwählen. (*Hinweis: Die Option Satellite (Satellit) ist nicht für alle Modelle verfügbar.*)
 - **Antenna (Antenne) wählen.**
 - **Λ/V** drücken zur Auswahl von Channel install (Kanäle installieren) und zum Aufrufen **OK/>** drücken.
 - Automatic Search (Automatische Suche) wählen (siehe Abbildung 2), dann **OK/ > zur Anzeige von Automatic Search**

- (Automatische Suche)** drücken.
- OK drücken, um die Auswahl des Landes zu überspringen und zum nächsten Schritt zu gehen. Alternativ mit **</>** das Land neu wählen, dann OK zum Aufrufen drücken.
- Digital & Analogue (Digital & Analog), Digital (Digital) oder Analogue (Analog) wählen, dann **OK/>** drücken, um die automatische Suche nach allen digitalen und/oder analogen DVB-T-Kanälen zu starten.
- **Cable (Kabel) wählen.**
- **^/V** drücken zur Auswahl von Channel install (Kanäle installieren) und zum Aufrufen **OK/>** drücken.
- Automatic Search (Automatische Suche) wählen, dann **OK/>** zur Anzeige von **Automatic Search (Automatische Suche)** drücken.
- OK drücken, um die Auswahl des Landes zu überspringen und um zum nächsten Schritt zu gehen. Alternativ mit **</>** das Land neu wählen, dann OK zum Aufrufen drücken.
-
- **Digital & Analogue** (Digital & Analog) wählen, dann **OK/>** zum Aufrufen drücken. Den Scanmodus wählen und die Kabelinformationen auf die gleiche Weise wie bei der Erstinstallation konfigurieren. Scan (Scannen) wählen und **OK/>** drücken, um die automatische Suche nach allen digitalen und analogen DVB-C-Kanälen zu starten.
- **Digital (Digital) wählen** und dann genau wie oben beschrieben vorgehen, um die automatische Sendersuche für alle DVB-C Digitalkanäle zu starten.
- **Analogue** (Analog) wählen, dann **OK/>** drücken, um die automatische Suche nach den Analogkanälen zu starten.
- **Satellite (Satellit) wählen.** (*Hinweis: Die Option Satellite (Satellit) ist nicht für alle Modelle verfügbar.*)
- **^/V** drücken, um **Satellite Setup (Satellit-Einstellung) auszuwählen**, und dann **OK/>** zum Aufrufen drücken.
- Mit **^/V** einen Satelliten wählen oder neue Satelliten hinzufügen, dann zum Aufrufen und zur Konfiguration der korrekten Informationen bezüglich Satellit und Antenne OK drücken.
- **SETUP > Channel Install > Automatic Search (Installieren > Kanäle >**

Automatische Suche) wählen, dann zum Aufrufen **OK/>** drücken.

- **Country (Land) wählen, mit </>** ggf. das Land einstellen.
- **Satellite Tuning (Satellitenabstimmung) wählen**, dann zur Anzeige von **Satellite Tuning (Satellitenabstimmung) OK/>** drücken. Die korrekten Informationen konfigurieren. **Scan (Scannen) wählen**, dann **OK/>** drücken, um die Ersteinstellungen für alle Satellitenkanäle zu starten. (*Hinweis: Die Option Satellite (Satellit) ist nicht für alle Modelle verfügbar.*)
- 4. Dies kann einige Minuten dauern. Während des Vorgangs kann EXIT gedrückt werden, um die laufende Suche abzubrechen.
- 5. Nach dem Abschluss der automatischen Suche **BACK** drücken, um zum letzten Schritt zurückzukehren oder **OK** drücken, um den Sendersuchlauf erneut zu starten.
- 6. Nach der automatischen Suche sind die Kanäle in einer vorgegebenen Reihenfolge eingestellt. Die Kanäle können übersprungen, die vorgegebene Reihenfolge geändert oder Kanäle umbenannt werden.

Bedienungshinweise Aufrufen der Sender

Mit den Zifferntasten: Die entsprechenden Zifferntasten drücken, um die Sender aufzurufen.

Mit den Tasten CH+/- oder CH ^/V: Die Tasten drücken, um durch die Sender zu schalten.

Aufrufen von angeschlossenen Geräten

Mehrfach **SOURCE** auf der Fernbedienung oder **OK** auf dem Fernseher drücken, um zwischen TV und anderen Eingangsquellen umzuschalten. Um wieder in den TV-Modus zu schalten, eine beliebige Zifferntaste zur Eingabe eines Senders drücken, während man mit der Taste **CH+/-** durch alle TV-Kanäle und andere Eingangsquellen schalten kann.

Hinweis: Nicht alle Modelle sind mit einer OK-Taste ausgestattet.

Lautstärke

Lautstärkeregelung: Die Tasten **VOL</>** am TV-Gerät, oder die Tasten **VOL+/-** auf der Fernbedienung verwenden, um die Lautstärke zu erhöhen oder zu reduzieren. Stummschaltung: Die Taste MUTE drücken, um den Ton vorübergehend stumm zu schalten. Diese Taste entweder noch einmal oder die Taste **VOL+ drücken, um den Ton wieder einzuschalten.**

Verwendung der TV-Menüs

1. Die Taste MENU drücken, um das Hauptmenü anzuzeigen (Siehe Abbildung 3).)
2. **^/√/</> drücken, zur Auswahl des gewünschten Menüpunktes, dann OK drücken, um das entsprechende Untermenü zu öffnen.**
3. Im Untermenü zur Auswahl von Menüoptionen **^/√** drücken, mit **</>** die Funktionen einstellen oder die Werte ändern. Mit der Taste OK lässt sich eine Einstellung aktivieren. **OK/>** verwenden, um das entsprechende Untermenü zu öffnen.
- 4 **BACK** drücken, um zum vorhergehenden Menü zurückzukehren.
- 5 **EXIT drücken,** um das Menü zu verlassen.

Hinweis: Einige Optionen stehen möglicherweise für bestimmte Signalquellen nicht zur Verfügung.

Menüsprache wählen

Den nachstehenden Anleitungen zur Auswahl der Menüsprache folgen.

1. Die Taste **MENU** drücken, um das Hauptmenü anzuzeigen.
2. Zur Auswahl von SETUP (Installieren) **^/√/</> drücken, dann OK zum Aufrufen** drücken.
- 3 **Language** (Sprache) wählen und **OK/>** drücken, um die Sprache einzugeben.
- 4 **Menu Language** (Menüsprache) wählen. **</>** drücken, um die gewünschte Sprache für die Anzeige der Menüs auszuwählen.
- 5 **EXIT** drücken, um das Menü zu verlassen.

Erweiterte TV-Funktionen

Einrichten der Favoritenkanäle

Es ist möglich, eine Liste mit den Lieblingsfernseh-sendern zu erstellen.

1. **CH.LIST drücken.**
2. Zum Öffnen von **CHANNEL LIST SELECTION (AUSWAHL KANALLISTE)** die gelbe Taste **drücken.** Mit **^/√** die gewünschte Liste wählen und zum Öffnen OK drücken.
3. Die blaue Taste drücken, um die Favoritenliste zu bearbeiten. **^/√** drücken, um durch die Senderliste zu blättern und dann OK drücken, um sie auszuwählen bzw. die Auswahl aufzuheben.
4. Diesen Vorgang wiederholen, um weitere Favoritensender einzurichten.
- 5 **CH.LIST/EXIT** drücken, um die Einstellung zu verlassen.

Energieersparnis

1. Auf der Fernbedienung die Taste MENU drücken und PICTURE > ECO Settings > Energy Saving (BILD > ÖKO-Einstellungen > Energieersparnis) wählen.
2. Mit **</>** den entsprechenden Energiesparmodus wählen, um die gewünschte Energieersparnis zu erzielen.
- 3 **EXIT** zum Beenden des Menüs drücken.

Abgekürztes Verfahren: ECO auf der Fernbedienung drücken, um den gewünschten Energiesparmodus direkt einzustellen.

PAP-Funktion

Zur Anzeige der Bilder aus den unterschiedlichen Eingangsquellen nebeneinander. Bitte beachten, dass ein Fenster für analoge und digitale TV-Eingänge ist, das andere für VGA-, HDMI- und CMP-Eingänge. (Hinweis: Beide Fenster nicht für AV-Scart verfügbar.)

1. Die Taste **MENU** drücken, um das Hauptmenü anzuzeigen.
- 2 **PAP wählen und zur Eingabe OK** drücken.
3. Die Option **PAP** wählen und **</>** drücken, um die PAP-Funktion ein-/auszuschalten.
- 4 **TV Position (TV-Position) wählen und </>** drücken, um das TV-Fenster neu zu positionieren.
- 5 **</>** drücken, um zwischen den Fenstern umzuschalten.
6. Wenn der Fokus auf dem TV-Fenster ist, funktionieren die Zifferntasten

und **CH+/-** am Fernsehgerät. Wenn der Fokus auf dem anderen Fenster liegt, schaltet **CH+/-** zwischen den verfügbaren externen Quellen um.

Untertitel

Für jeden einzelnen TV-Sender können Untertitel aktiviert werden. Untertitel werden durch Teletext oder DVB-T/DVB-C übertragen. Bei digitalen Übertragungen gibt es die zusätzliche Option, eine Untertitelsprache auszuwählen.

Ein-/Ausschalten von Untertiteln

- 1 **Die Taste MENU auf der Fernbedienung drücken und OPTIONS > Subtitle (Optionen > Untertitel) auswählen.**
- 2 **OK/>** zum Aufrufen (siehe Abbildung 4) drücken.
3. Die Option Subtitle (Untertitel) auswählen und **</>** zum Auswählen und On/Off (Ein/Aus), um Untertitel ein-/ auszuschalten.

Untertitelsprachen auf digitalen TV-Kanälen aktivieren

- 1 **Die Taste MENU auf der Fernbedienung drücken und Options > Subtitle > Digital subtitle language (Optionen > Untertitel > Digitale Untertitelsprache) auswählen.**
- 2 **</>** drücken, um eine Untertitelsprache als die bevorzugte Sprache auszuwählen.
- 3 **^/v** drücken, um Digital subtitle language 2nd (die zweite digitale Untertitelsprache) auszuwählen.
- 4 **</>** drücken, um eine zweite Untertitelsprache auszuwählen.
- 5 **EXIT** drücken, um das Menü zu verlassen.

Abkürzung: Auf SUBT auf der Fernbedienung drücken, um direkt eine Untertitelsprache für die ausgewählten digitalen TV-Programme auszuwählen.

Untertiteltyp auf digitalen TV-Kanälen wählen

- 1 **Die Taste MENU auf der Fernbedienung drücken und Options > Subtitle > Subtitle type (Optionen > Untertitel > Untertiteltyp) auswählen.**
- 2 **</>** drücken, um einen Untertiteltyp auszuwählen. Hearing impaired

(hörbehindert) auswählen, um die Untertitel für Gehör-schädigte in der gewählten Sprache anzuzeigen.

Sprache der Decodierungsseite in Teletext auswählen

Die Taste MENU auf der Fernbedienung drücken und Options > Teletext > Decoding page language (Optionen > Teletext > Sprache der Decodierungsseite) auswählen. Einen passenden Sprachtyp auswählen, in welcher der Teletext angezeigt wird.

Sprache für digitalen Teletext

Bei digitalen TV-Sendern kann das TV-Gerät zu einem Dienst mit mehreren ursprünglichen Teletextseiten in verschiedenen Sprachen wechseln. Mit dieser Funktion kann eine verfügbare Sprache als primäre Sprache ausgewählt werden, die sich auf unter-schiedliche ursprüngliche Teletextseiten bezieht. Auf der Fernbedienung auf MENU drücken und Options > Teletext > Digital teletext language (Optionen > Teletext > Sprache für digitalen Teletext) wählen. Zum Auswählen auf **</>** drücken.

SPDIF-Typ

Ein Audio-Gerät über SPDIF verbinden. Die Taste MENU auf der Fernbedienung drücken und Options > SPDIF type (Optionen > SPDIF-Typ) wählen. Einen passenden Tontyp aus der Liste der digitalen Programme auswählen.

- Wenn das aktuelle Programm den Ton in Dolby D-Format ausgibt, kann entweder PCM oder Dolby D ausgewählt werden.
- Wenn das aktuelle Programm den Ton nicht in Dolby D-Format ausgibt, kann nur PCM ausgewählt werden. Andernfalls wird kein Ton ausgegeben.
- Off (Aus) wählen, um den Audioausgang des am SPDIF-Ausgang angeschlossenen Audiogeräts abzuschalten.

Hinweis: Die Optionen sind vom gewählten Kanal abhängig. Wenn PCM ausgewählt wird und der Ton asynchron zum Bild ist, kann man SPDIF Delay (SPDIF-Verzögerung) vom Menü Options (Optionen) aus-wählen und </> drücken, um die Verzögerungszeit einzustellen und so Bild und Ton zu synchronisieren.

T-Link

Für die Suche nach CEC-Geräten, die an HDMI-Anschlüsse am TV-Gerät angeschlossen sind und zum Aktivieren von One-Touch-Play und One-Touch-Standby zwischen CEC-Geräten.

T-Link aktivieren oder deaktivieren

1. Die Taste MENU auf der Fernbedienung drücken und dann Options > T-Link (Optionen > T-Link) wählen.
2. </> drücken, um mit **On (Ein)** oder **Off (Aus) T-Link ein- oder auszuschalten.**

One-Touch-Play verwenden

Mit One-Touch-Play kann beispielsweise die PLAY-Taste der Fernbedienung des DVD-Geräts gedrückt werden. Damit wird die Wiedergabe auf dem DVD-Gerät gestartet und das TV-Gerät automatisch auf die richtige Quelle umgeschaltet, die den DVD-Inhalt wiedergibt.

System-Standby verwenden

System-Standby ermöglicht das Drücken von Φ auf der Fernbedienung. Damit werden das TV-Gerät und alle angeschlossenen HDMI-Geräte in den Standby-Modus geschaltet.

Netzwerk-Aktualisierung

MENU auf der Fernbedienung drücken, dann **Options > Network update** (Optionen > Aktualisierung Netzwerk) wählen. On/Off (Ein/Aus) zur Aktivierung oder Deaktivierung der Netzwerk-Aktualisierungsfunktion wählen.

- Ist diese Funktion aktiviert, aktualisiert der Fernseher automatisch die Kanäle, wenn der DTV-Anbieter sein DTV-Netzwerk aktualisiert.
- Ist diese Funktion deaktiviert, muss die Kanalsuche erneut ablaufen, um neue Kanäle zu empfangen oder nicht empfangbare Kanäle zu entfernen, wenn der DTV-Anbieter seinem Netzwerk neue Kanäle hinzufügt oder davon entfernt.

CI-Modul

Verschlüsselte digitale TV-Kanäle können mit einem CI -Modul und einer von einem Digital-TV-Betreiber

angebotenen Karte decodiert werden.

Mit dem CI-Modul können je nach dem ausgewählten Betreiber bzw. je nach den gewünschten Diensten mehrere digitale Dienste aktiviert werden (z. B. Pay-TV). An den Digital-TV-Anbieter wenden, um weitere Informationen über die verfügbaren Dienste und Konditionen zu erhalten.

Verwenden des CI-Moduls

WARNUNG: Das Fernsehgerät vor dem Einsetzen eines CI-Moduls ausschalten. Bitte unbedingt die folgenden Hinweise beachten. Die falsche Installation eines CI-Moduls kann zu Schäden am Modul und am Fernsehgerät führen.

1. Das Modul gemäß den aufgedruckten Anweisungen vorsichtig in den CI-Steckplatz im TV-Gerät einlegen.
2. Das Modul so weit wie möglich einschieben.
3. Das TV-Gerät einschalten und warten, bis die CI-Funktion aktiviert wird. Dieser Vorgang kann einige Minuten dauern.

Hinweis: Das CI-Modul nicht aus dem Steckplatz entfernen. Das Entfernen des Moduls führt zur Deaktivierung der digitalen Dienste.

Zugriff auf CI-Dienste

Nach dem Einsetzen und der Aktivierung des CI-Moduls **MENU** auf der Fernbedienung drücken und Options> Common interface (Optionen > Common Interface) auswählen. Diese Menüoption ist nur verfügbar, wenn das CI-Modul korrekt eingesteckt und aktiviert wird. An den Digital-TV-Anbieter wenden, um weitere Informationen zu den On-Screen-Anwendungen und Inhalten zu erhalten.

Softwareupdate

Die Taste **MENU** auf der Fernbedienung drücken und Options > Software update (Optionen > Softwareupdate) auswählen. Zum Aufrufen **OK/>** drücken.

- **Current version (Aktuelle Version): Zeigt die aktuelle Version der Software an.**
- **Product name (Produktname): Zeigt den Produktnamen des Sets an.**
- **Serial number (Seriennummer) (wenn vorhanden): Zeigt den Seriennummer des Sets an.**

- **By network (Über Netzwerk): Ermöglicht Download und Installation der neuesten Version der Software aus dem Internet. Zunächst eine verkabelte oder drahtlose Netzwerkverbindung herstellen, dann By network (Über Netzwerk) wählen und OK/>** drücken. Den Anleitungen auf dem Bildschirm folgen, um die Installation fortzusetzen.
Hinweis: Vor der Software-Aktualisierung ein USB-Gerät an das Fernsehgerät anschließen.
- **By channel (Nach Kanal): Ermöglicht die Installation der neuesten Version der Software, sofern verfügbar. By channel (Nach Kanal) wählen und zur Bestätigung OK/>** drücken.
- Mit **</>** unter Auto download (Auto-Download) Yes (Ja) zum automatischen Herunterladen der neuesten verfügbaren Software wählen. Nach dem erfolgreichen Herunterladen der Software wird gefragt, ob jetzt sofort installiert werden soll. Falls ja, den Bildschirmhinweisen zur Beendigung der Installation folgen. Alternativ wählen, die Installation jetzt nicht durchzuführen.
 - Unter Auto download (Auto-Download) No (Nein) wählen, um nicht automatisch herunterzuladen.
 - Manual download (Download manuell) wählen und **OK/>** drücken, um manuell nach der neuesten Software zu suchen. Hierbei den Bildschirmhinweisen folgen. Während der Suche **OK/EXIT** drücken, um den Vorgang abzubrechen.

Wechseln zwischen dem Modus Shop (Geschäft) und dem Modus Home (zu Hause)

1. Auf der Fernbedienung **MENU** drücken und **Options > Location (Optionen > Standort)** wählen.
2. **</>** zur Auswahl des Standorts drücken, entweder **Shop (Geschäft)** oder **Home (zu Hause)**.
3. **EXIT** drücken, um die Einstellungen zu verlassen.

Hinweis: Gemäß der Verordnung 2009/125/EG der Europäischen Kommission wird das Fernsehgerät im Home-Modus automatisch

*in den Standby-Modus versetzt, wenn innerhalb von 4 Stunden keine Bedienaktion erfolgt. Die Funktion kann im Menü **Options (Optionen)** deaktiviert werden.*

MHEG-Funktion

Einige digitale TV-Sender bieten speziellen digitalen Text oder interaktive Dienste an (z. B. BBC1). Diese Dienste funktionieren wie normaler Teletext und bieten zusätzlich Zahlen-, Farb- und Navigations-tasten.

1. Auf der Fernbedienung **MENU** drücken und **Option > Subtitle > Subtitle (Optionen > Untertitel > Untertitel)** wählen.
2. **</>** drücken, um die Funktion **Subtitle (Untertitel)** auf **Off (Aus)** zu schalten.

*Hinweis: MHEG und Untertitel schließen sich gegenseitig aus und können nicht gleichzeitig auf dem Bildschirm angezeigt werden. Wenn **Subtitle (Untertitel)** auf **On (Ein)** eingerichtet ist, wird **MHEG** nicht angezeigt.*

3. Die rote Farbtaste oder **TEXT** auf der Fernbedienung drücken.
4. **^/V/</>** drücken, um Elemente auszuwählen oder zu markieren.
5. **OK** drücken, um das jeweilige Element zu bestätigen oder zu aktivieren.
6. Eine der Farbtasten drücken, um eine Option auszuwählen.
7. Auf **TEXT** oder **EXIT** drücken, um die Einstellungen zu verlassen.

Fotos, Musik und Videos vom USB-Speichermedium wiedergeben

Der Fernseher ist mit einem USB-Port zur Anzeige von Fotos, Wiedergabe von Musik und Videos ausgestattet, die auf einem USB-Speichermedium gespeichert sind. Unterstützte Dateiformate:

Foto	JPEG
Musik	MP3
Video	AVI, MP4, MPG, MPEG, TS, DIVX, MKV ...

Hinweis: Einige USB-Tastaturen und USB-Produkte wie digitale Kameras oder Handys sind nicht vollständig mit dem USB-2.0-Standard kompatibel und funktionieren möglicherweise nicht mit dem Multimedia-Player des TV-Geräts. Nicht alle USB-Tastaturen oder Geräte sind für die USB-Funktion kompatibel. Es werden nicht alle obigen Formate unterstützt. Die

Encodingformate der Dateien bestimmen, ob sie benutzt werden können.

Wird ein USB-Speichermedium erkannt, so wird das Menü MEDIA (MEDIEN) direkt aufgerufen. (Alternative: MEDIA (MEDIEN) im Hauptmenü wählen und zum Bestätigen OK drücken.)

Foto

Anzeige gespeicherter Fotos.

1. Media > Photo(MEDIEN > Foto) wählen, dann OK zum Aufrufen des Browsers drücken.
2. Im Browser mit **^/V/</>** ein Foto oder einen Ordner wählen.
3. Einen inneren Dateiordner wählen und OK drücken, um zu einem Dateiinhaltsbrowser zu gelangen.
4. Mit **/</>** ein Foto im Browser wählen. Zur Anzeige des Fotomenüs im Ordnermodus MENU drücken.
 - **Sort (Sortieren): Sortieren von Ordnern und Fotos nach Änderungsdatum oder Name.**
 - **Edit (Bearbeiten): Kopieren, einfügen oder löschen eines gewählten Fotos.**
 - **Parser (Parser): Recursive (Rekursiv) zur Anzeige von Fotos aus allen Unterordnern wählen.**
5. Ein Foto wählen, zur Anzeige OK drücken und die Diashow beginnt ab dem gewählten Foto. Mit **▶** lässt sich die Diashow unterbrechen, um das angezeigte Foto zu drehen. Mit MENU wird im Browsermodus das Fotomenü angezeigt. Ein Foto kann angezeigt, die Diashow unterbrochen oder ein Foto gedreht werden bzw. unterschiedliche Wiedergabemodi und Übergangseffekte gewählt werden.
6. Die entsprechende Taste auf der Fernbedienung drücken, um eine der Funktionen auszuführen, die im Funktionsbalken unten auf dem Bildschirm angezeigt werden.

Musik

So wird verfügbare Musik wiedergegeben.

1. MEDIA > Music (MEDIEN > Musik) wählen, dann zum Aufrufen des Browsers OK drücken.
2. Mit **^/V/</>** wird ein Musiktitel auf die gleiche Weise wie ein Foto ausgewählt. MENU drücken zur Anzeige des

Musikmenüs im Ordnermodus.

- **Sort (Sortieren): Sortieren von Ordnern und Musiktiteln nach Name, Genre, Interpret oder Album.**
 - **Edit (Bearbeiten): Kopieren, einfügen oder löschen eines gewählten Musiktitels.**
 - **Parser (Parser): Recursive (Rekursiv) zur Anzeige von Musiktiteln aus allen Unterordnern wählen.**
3. Ein Lied auswählen und OK drücken, um es abzuspielen. Eine automatische Wiedergabe beginnt mit dem ausgewählten Lied. MENU zum Aufrufen des Musikmenüs im Browsermodus drücken. Ein Musiktitel kann wiedergegeben oder unterbrochen (Pause) werden, unterschiedliche Wiedergabemodi gewählt werden usw.
 - **Show lyrics (Liedtexte zeigen): Diese Option steht für Lieder mit Liedtexten zur Verfügung. Lieder wählen und </> verwenden, um die gleichzeitige Anzeige von Liedtexten ein- bzw. auszuschalten.**
 - **Audio only (Nur Audio): Wählen und OK drücken, um nur Musik bei ausgeschaltetem Bildschirm zu hören. Tastendruck auf eine beliebige Taste schaltet den Bildschirm wieder ein.**
 4. Die entsprechende Taste auf der Fernbedienung drücken, um eine der Funktionen auszuführen, die im Funktionsbalken unten auf dem Bildschirm angezeigt werden.

Video

So werden verfügbare Videos wiedergegeben.

1. MEDIA > VIDEO (MEDIEN > VIDEO) wählen, dann zum Aufrufen des Browsers OK drücken.
2. Mit **^/V/</>** wird ein Video auf die gleiche Weise wie ein Foto ausgewählt. MENU drücken Anzeige des Videomenüs im Ordnermodus.
 - **Sort (Sortieren): Sortieren von Ordnern und Videos nach Typ, Änderungsdatum oder Name.**
 - **Edit (Bearbeiten): Kopieren, einfügen oder löschen eines gewählten Videos.**
 - **Parser (Parser): Recursive**

(Rekursiv) zur Anzeige von Videos aus allen Unterordnern wählen.

- Ein Video auswählen und OK drücken, um es anzusehen. Die automatische Wiedergabe beginnt mit dem ausgewählten Video. MENU drücken zum Aufrufen des Videomenüs im Browsermodus. Das Video kann wiedergegeben oder unterbrochen (Pause) werden sowie unterschiedliche Wiedergabemodi, Bildschirm-modi, Voreinstellungen usw. gewählt werden.
- Die entsprechende Taste auf der Fernbedienung drücken, um eine der Funktionen auszuführen, die im Funktionsbalken unten auf dem Bildschirm angezeigt werden.

DivX Video

(* nicht für alle Modell verfügbar).

INFORMATIONEN ZU DIVX VIDEO: DivX® ist ein digitales Videoformat, entwickelt von DivX, LLC, einer Tochterfirma der Rovi Corporation. Dieses Gerät ist ein Gerät mit dem Zertifikat DivX Certified®, welches DivX-Videos abspielen kann. Unter divx.com finden sich weitere Informationen und Softwareanwendungen zum Konvertieren von Dateien in DivX Videos.

ÜBER DIVX VIDEO-ON-DEMAND: Dieses Gerät ist ein Gerät mit dem Zertifikat DivX Certified® und muss registriert werden, damit gekaufte DivX-Video-on-Demand-(VOD)-Filme abgespielt werden können.

Den Registrierungscode holen:

- Die Taste **MENU** auf der Fernbedienung drücken.
- OPTIONS > DivX(R) Registration (Optionen > DivX(R) Anmeldung) wählen.**
- OK/>** drücken, um den Registrierungscode anzuzeigen.

Für weitere Informationen zur Fertigstellung der Registrierung vod.divx.com besuchen.

Registrierung des TV deaktivieren:

Wenn die Registrierung des TV deaktiviert werden soll:

- Die Taste **MENU** auf der Fernbedienung drücken.
- OPTIONS > DivX(R) Deregistration (Optionen > DivX(R) Deaktivierung) wählen.**
- OK/>** drücken, um sich von einer

Nachricht führen zu lassen.

DivX®, DivX Certified® und damit verbundene Logos sind Marken von Rovi Corporation oder deren Tochterfirmen und werden unter Lizenz verwendet.

Zeiterkennung

Die Zeit von Digitalkanälen kann automatisch wie folgt erkannt werden.

- Die Taste **MENU** auf der Fernbedienung drücken und **Options > Timer > Clock > Auto synchronization (Optionen > Zeit > Uhr > Automatische Synchronisation)** auswählen.
- Zur Auswahl von **On (Ein) </> drücken.**

Zuweisung eines Kanal-Decoders Decoder zum Entschlüsseln analoger Sender können an den AV-Anschluss angeschlossen werden. Der entsprechende TV-Sender muss als Kanal für die Entschlüsselung gekennzeichnet werden. Dann den Anschluss zuweisen, an dem der Decoder angeschlossen ist.

- Die Taste **MENU** auf der Fernbedienung drücken und **SETUP > Decode (Installieren > Decodieren) auswählen.**
- OK/>** drücken, um die Liste einzugeben.
- ▲/▼** drücken, um den zu entschlüsselnden Kanal auszuwählen.
- OK** drücken, um den Kanal auszuwählen oder die Auswahl aufzuheben.
- BACK drücken, um zum vorhergehenden Menü zurückzukehren.**

Diagnose für digitale TV-Sender

- Die Taste **MENU** auf der Fernbedienung drücken und **SETUP > Diagnostics (Installieren > Diagnose)** auswählen.
- OK/>** drücken, um einige Signalinformationen für den aktuellen digitalen Sender anzuzeigen, wie z. B. Signalstärke, Frequenz usw.

Timeshift

Ermöglicht es, das Programm anzuhalten und vor- und zurückzuspulen, während das Programm ausgestrahlt wird. Vor dem Verwenden dieser Funktion, ein USB-Speichermedium am Fernseher anschließen.

Hinweis: Aufgrund länderspezifischer Vorschriften ist die Timeshift-Funktion nicht für Finnland verfügbar.

1. **MENU** auf der Fernbedienung drücken und **SETUP > Time Shift (Installieren > Timeshift) auswählen**.
2. **</>** drücken, um On (Ein) zu wählen und somit die Timeshift-Funktion zu aktivieren. Dann **EXIT** drücken, um das Menü zu schließen.
3. Auf der Fernbedienung **OPTION** drücken und **Time shift (Timeshift)** wählen. Dann zur Bestätigung **OK** drücken.
4. Den Anweisungen auf dem Bildschirm zum Einstellen folgen.
5. Nach der Einstellung des Laufwerks **OPTION** drücken und **Time shift (Timeshift)** wählen.
6. **OK drücken, um das Timeshift-Menü anzuzeigen.**
 - **▶||** drücken, um das Bild anzuhalten und die Timeshift-Funktion zu starten.
 - **▶||** drücken, um die Aufzeichnung abzuspielen.
 - Wenn das Timeshift-Menü verschwindet und nur noch die Zeiteinteilung der Timeshift-Funktion angezeigt wird, **▶||** oder **OK** drücken, um das Timeshift-Menü aufzurufen.
 - **◀◀** zum Zurückspulen oder **▶▶** zum Vorspulen drücken.
 - **■** drücken, um die Timeshift-Funktion zu beenden.

Anmerkungen:

- *Bevor ein USB-Speichermedium an das Fernseh-gerät angesteckt wird, sicherstellen, dass die auf dem Gerät gespeicherten Daten gesichert sind, um den Verlust von wichtigen Daten durch eine unvorhergesehene Fehlfunktion zu vermeiden.*
- *Wir empfehlen die Verwendung eines USB-Geräts mit mehr als 1 GB freiem Speicherplatz und einer Schreibgeschwindigkeit von mehr als 5 MB/s.*
- *Je größer der für die Timeshift-Funktion verfügbare Speicherplatz ist, um so länger ist die Aufnahmezeit.*
- *Wenn während der Nutzung der Timeshift-Funktion der Sender gewechselt wird, erscheint eine Meldung zur Auswahl von Yes (Ja) oder No (Nein). Yes (Ja) auswählen, um die Timeshift-Funktion zu beenden und den*

Sender zu wechseln.

Rückstellung

Damit lässt sich das TV-Gerät auf die Werkseinstellungen zurücksetzen.

1. **MENU** auf der Fernbedienung drücken und **SETUP (Installieren)** wählen. Zur Bestätigung auf **OK** drücken.
2. **Reset Shop (Rückstellung)** wählen und zur Bestätigung **OK/>** drücken.
3. Die Zifferntasten verwenden, um das Kennwort einzugeben.
4. **</>** drücken, um **OK** auszuwählen, und erneut **OK** drücken, um die Auswahl zu bestätigen.
5. Das Menü **Initial setup (Erstinstallation)** wird angezeigt. Bitte die entsprechenden Anweisungen befolgen.

Anpassen der Eingabeeinstellungen

Das TV-Gerät kann gemäß den angeschlossenen Geräten wie Digitalempfänger, Blu-ray-Player, Computer oder Spielekonsole konfiguriert werden.

1. **MENU** auf der Fernbedienung drücken und **SETUP > Input Settings (Installieren > Erstinstallation)** wählen.
2. **OK/** drücken zum Aufrufen von **Input settings (Erstinstallation)**.
3. **^/v** drücken, um einen Anschluss, an den das Gerät angeschlossen wird, auszuwählen.
4. **</>** drücken, um den an diesem Anschluss angeschlossenen Typ des Gerätes auszuwählen.
5. **</>** drücken, um dem Gerät einen Namen zuzuweisen.
6. Die Taste **BACK** drücken, um zum Menü **SETUP (Installieren)** zurückzukehren.

Nach der Konfiguration wird die gewählte Quelle hinter dem Namen des entsprechenden Anschlusses in der Quellenliste angezeigt, wenn **SOURCE** auf der Fernbedienung oder **OK** auf dem Fernseher gedrückt wird.

Verwendung des Elektronischen Programmführers (EPG)

Der EPG ist ein Programmführer, der die geplanten digitalen TV-Programme anzeigt. In den Informationen kann geblättert und Programme können ausgewählt und angesehen werden.

1. **GUIDE** auf der Fernbedienung drücken und das Menü **Now and Next EPG**

(EPG aktuell und folgende) erscheint. Hier gibt es Informationen zu den gerade laufenden und den folgenden Programmen jedes Senders. Mithilfe der Navigationstasten auf der Fernbedienung durch die verschiedenen Programme navigieren.

2. Die farbigen Tasten verwenden, um 8 Days EPG (8-Tage-Vorschau) anzuzeigen.

- **Prev day (Vorheriger Tag) (rot): Zeigt den EPG für den vorherigen Tag an.**
- **Next day (Nächster Tag) (grün): Zeigt den EPG für den nächsten Tag an.**
- **View detail (Details anzeigen) (gelb): Zeigt die detaillierte Beschreibung für dieses Programm an, falls verfügbar.**
- **Type filter (Typ-Filter) (blau): Programmführer-Filter für digitale TV-Programme.**


- Die blaue Taste drücken, um den Typ des Programms und die Liste mit den Untertypen anzuzeigen.
- Mit den Navigationstasten auf der Fernbedienung durch die verschiedenen Typen und Untertypen navigieren.
- Einen oder mehrere gewünschte Typen aus der Liste Typ auswählen und OK drücken, um sie auszuwählen (oder die Auswahl aufzuheben). Ein Häkchen erscheint auf der linken Seite eines Typs, wenn dieser ausgewählt wird. Wenn ein Typ ausgewählt wurde, werden entsprechend alle seine Untertypen ebenfalls gewählt.
- Außerdem können einige gewünschte Untertypen ausgewählt werden, ohne zuerst jeden Typ auszuwählen.
- Die blaue Taste drücken, um die Typ- und Untertypenlisten zu verlassen.
- Nach der Filterung sind alle gewünschten digitalen TV-Programme markiert.
- **Add schedule (Planung hinzufügen) (Option): Option auf der Fernbedienung drücken, um das Menü Schedule list (Planungsliste) anzuzeigen. Details zur geplanten Aufzeichnung finden sich im Abschnitt Planungsliste.**
- 3. GUIDE/EXIT drücken, um den EPG zu verlassen und zum ausgewählten Sender umzuschalten.

PVR (Personal Video Recorder) (Personal-Videorekorder)

Liebblingsprogramme vom Fernseher können aufgezeichnet werden. Vor der Benutzung dieser Funktion zunächst ein USB-Speichermedium anschließen.

Hinweis: Aufgrund landesspezifischer Anforderungen steht die PVR-Funktion in Finnland nicht zur Verfügung.

1. OPTION auf der Fernbedienung drücken und QUICK ACCESS > PVR (Schnellzugriff > PVR) auswählen.
 2. **OK/>** zum Bestätigen drücken.
- Abgekürztes Verfahren: Drücken Sie REC auf der Fernbedienung, um das PVR-Menü direkt aufzurufen.**

3. Folgendes drücken:
 - REC, um die Aufnahme zu starten; die aufgezeichnete Datei wird im PVR-Ordner unter MEDIA > VIDEO (MEDIEN > VIDEO) abgelegt;
 - , um die Aufnahme manuell zu beenden; falls die Aufnahmedauer abgelaufen ist, wird die Aufnahme automatisch beendet.
 - **^/V/</>** drücken, um die Aufnahmedauer einzustellen.
4. Während der Aufnahme wird ein PVR-Miniaturbildschirm zur Anzeige des Aufnahmefortschritts eingeblendet.
5. Um das aufgenommene Programm anzuschauen, den PVR-Modus zuerst beenden und zu MEDIA > VIDEO (MEDIEN > VIDEO) gehen. Den Ordner PVR wählen und die darin aufgenommene Datei. Zum Abspielen OK drücken (wie bei der Aufnahme eines Digital-Radioprogramms).

Hinweise:

- Bei Benutzung der CI+ Karte ist die PVR-Funktion deaktiviert.
- Die Funktion steht nur für digitale Kanäle zur Verfügung.
- Es werden nur USB-Speichermedien im FAT32-Format unterstützt.
- Bevor das USB-Gerät an das TV-Gerät angesteckt wird, sicherstellen, dass ein Backup von den Daten auf dem Gerät angelegt wurde, um den Verlust wichtiger Daten durch unvorhersehbare Fehlfunktionen zu vermeiden.
- Je größer der auf dem USB-Gerät für die PVR-Funktion zur Verfügung stehende Speicherplatz ist, um so länger ist die Aufnahmezeit.

- Wenn Sender oder Signalquelle beim Aufnehmen gewechselt werden soll, die aufgenommenen Daten speichern, bevor der Sender oder die Signalquelle gewechselt wird.
- Der Fernseher kann Dateien nicht normal wiedergeben, sofern die Parameter der Datei die Systemgrenzen überschreiten, das Dateiformat nicht unterstützt wird, die Datei beschädigt ist oder nicht decodiert werden kann.
- Das USB-Speichermedium nicht abtrennen, während das System eine Datei liest oder Daten überträgt, anderenfalls kann es zu Schäden am System oder dem Gerät kommen.

Planungsliste

Diese Funktion wird für geplante Aufnahmen benutzt.

1. **OPTION** auf der Fernbedienung und QUICK ACCESS > Schedule list (Schnellzugriff > Planungsliste) **wählen**.
2. **OK** drücken, um die Planungsliste anzuzeigen
3. Um der Planungsliste eine Zeitplanung hinzuzufügen, zunächst die rote Taste zur Anzeige von Schedule list (Planungsliste) drücken und dann:
 - **Channel Number (Kanalnummer):** Mit </> wird die Kanalnummer gewählt.
 - **Start date (Startdatum): Mit den alphanumerischen Tasten wird das Aufnahmedatum eingestellt.**
 - **Start time (Startzeit): Mit den Zifferntasten wird das Aufnahmedatum eingestellt.**
 - **Stop time (Endzeit): Hier wird die Endzeit der Aufnahme eingestellt.**
 - **Schedule type (Planungstyp):**
 - Reminder (Erinnerung) einstellen, um daran erinnert zu werden, zum entsprechenden Zeitpunkt auf das geplante Programm umzuschalten. Wird nach Ablauf der Zeit nicht reagiert, wird das Dialogfenster wieder ausgeblendet und es wird nicht umgeschaltet.
 - Record (Record) zur Überprüfung einstellen, ob die geplante Aufzeichnung zum entsprechenden Zeitpunkt wirklich gestartet werden soll. Wird nach Ablauf der Zeit nicht reagiert, wird die geplante Aufnahme automatisch gestartet.
 - **Repeat Type (Häufigkeit): Die entsprechende Häufigkeit der**

Aufnahme einstellen.

4. **^/√/</>zur Auswahl von Add (Hinzufügen) drücken, dann OK drücken, um die Planung aus der Planungsliste hinzuzufügen.**
5. Die rote Taste drücken, um obigen Vorgang anderen Zeitplanungen hinzuzufügen.
6. Zur Bearbeitung oder Löschung einer Planung den entsprechenden Punkt wählen und zum Aufrufen OK drücken.
7. **EXIT drücken, um das Menü zu verlassen.**

Netzwerkanschluss

Das Fernsehgerät kann so eingestellt werden, dass man auf das Internet über das lokale Netzwerk (LAN) mit einer kabelgebundenen oder drahtlosen Verbindung zugreifen kann.

Anschluss an ein kabelgebundenes Netzwerk

Das Fernsehgerät kann per Kabel auf drei Arten an LAN angeschlossen werden:

- Das Fernsehgerät kann an das LAN angeschlossen werden, indem der LAN-Anschluss des Fernsehgerätes per Cat5-Kabel mit einem externen Modem verbunden wird.
- Das Fernsehgerät kann an das LAN angeschlossen werden, indem der LAN-Anschluss des Fernsehgerätes mit einem IP-Verteiler verbunden wird, welcher mit einem externen Modem verbunden ist. Für die Verbindung ein Cat5-Kabel verwenden.
- Je nachdem, wie das Netzwerk konfiguriert ist, kann möglicherweise das Fernsehgerät an das LAN angeschlossen werden, indem der LAN-Port des Fernsehgerätes mit einem Cat5-Kabel direkt an eine Netzwerksteckdose angeschlossen wird. Darauf achten, dass die Steckdose an anderer Stelle im Haus mit einem Modem oder Router verbunden ist.

SETUP > Network > Settings > Interface (Installieren > Netzwerk > Einstellung > Schnittstelle) wählen, dann Ethernet wählen, um sich mit einem verkabelten Netzwerk zu verbinden.

Anschließen an ein drahtloses Netzwerk
Um das Fernsehgerät drahtlos mit dem Netzwerk zu verbinden, wird ein drahtloser Router oder ein drahtloses Modem und ein drahtloser LAN-Adapter benötigt. Den separat erhältlichen LAN-Adapter an den USB-1-Anschluss des Fernsehgerätes stecken.

1. SETUP > Network > Settings > Interface (Installieren > Netzwerk > Einstellung > Schnittstelle) wählen und dann Wireless (Drahtlos) auswählen, um eine Verbindung zu einem drahtlosen Netzwerk herzustellen.
2. Wireless setting (Funkeinstellungen) wählen und zum Bestätigen **OK/>** drücken.
3. **Anschlussvarianten: Das drahtlose Netzwerk kann auf drei verschiedene Arten eingerichtet werden.**
 - Scan (Scannen):
 - **Wireless setting > Scan (Funkeinstellungen > Scannen) wählen und dann OK/> drücken. Das Fernsehgerät scannt alle Zugangspunkte in der Umgebung. Die vom Fernsehgerät gefundenen Zugangspunkte werden angezeigt.**
 - Einen verfügbaren Zugangspunkt wählen und **OK/>** drücken, um das Fernsehgerät mit ihm zu verbinden.

Anmerkungen:

- Wenn ein geschützter Zugangspunkt ausgewählt wird, muss das entsprechende Kennwort eingegeben werden. Auf der Fernbedienung OK drücken, um die virtuelle Tastatur für die Eingabe des Kennworts anzuzeigen.
- Dieses Gerät besitzt eine Speicherfunktion der verfügbaren Zugangspunkte, wodurch das Gerät auch dann mit dem Netzwerk verbunden werden kann, wenn das Fernsehgerät aus- und später wieder eingeschaltet wird.
- **Manual (Manuell)**
Wireless setting > Manual (Funkeinstellungen > Manuell) wählen und dann **OK/>** drücken. Man wird zur Einrichtung der Verbindung nach der korrekten SSID eines verfügbaren drahtlosen Routers gefragt.
- **Auto (Auto)**
Wenn der Zugangspunkt WPS (Wi-

Fi Protected Setup) unterstützt, kann mit einer PIN (Persönliche Identifikationsnummer) oder per PBC (Push Button Configuration) eine Verbindung zum Netzwerk hergestellt werden. WPS konfiguriert automatisch die SSID und den WPA-Schlüssel in beiden Modi. Wireless setting > Auto (Funkeinstellungen > Auto) wählen und dann zur Bestätigung OK/> drücken.

- **PIN: PIN wählen und zur Bestätigung OK/> drücken.** Einen zufälligen PIN-Code erzeugen. Sicherstellen, dass dieser Code auf dem Zugangspunkt installiert wird. (Eine Beschreibung der Vorgehensweise findet sich im Handbuch des Routers). Erneut **OK/>** drücken, um die Verbindung einzurichten.
- **PBC: Wenn der Router einen PBC-Taster besitzt, PBC wählen und dann zur Bestätigung OK/> drücken.** Den PBC-Taster am Router innerhalb von 2 Minuten drücken, nachdem **OK/>** erneut gedrückt wurde. Das Fernsehgerät ermittelt automatisch alle benötigten Netzwerkeinstellungen und stellt eine Verbindung zum Netzwerk her.

Netzwerkeinrichtung

1. Auf der Fernbedienung MENU drücken und SETUP > Network > Settings > Internet connection (Installieren > Netzwerk > Einstellung > Internetverbindung) wählen. **</>** drücken, um On (Ein) auszuwählen. Warten, bis die Verbindung automatisch hergestellt wird.
2. **SETUP > Network > Settings > Connection (Installieren > Netzwerk > Einstellung > Anschlussstest) wählen und dann OK/> drücken,** um die Internetverbindung zu testen. Wenn es nicht funktioniert, dem nächsten Schritt zur Herstellung der Verbindung folgen.
3. **SETUP > Network > Settings > IP Setting (Installieren > Netzwerk > Einstellung > IP-Einstellung) wählen und dann OK/> wählen,** um das Menü IP setting (IP-Einstellung) aufzurufen.
 - Address type (Adressentyp) auf Auto (Auto) stellen. Die erforderliche IP-Adresse wird automatisch angefordert

- und eingegeben.
- Mit den unten stehenden Schritten kann die IP-Adresse manuell eingegeben werden.
- Den Address type (Adressentyp) auf Manual (Manuell) stellen. Anschließend **V drücken**, um zum ersten Eingabefeld zu gehen.
- Die Werte für IP address (IP Adresse), Subnet mask (Subnetzmaske), Default gateway (Standardgateway), Primary DNS (Primäre DNS) und Secondary DNS (Secondary DNS) eingeben. Die Zahlen mit den Zifferntasten eingeben und mit den Pfeiltasten von einem Eingabefeld zum nächsten wechseln.
- **Nach den Einstellungen Setup > Network > Settings > Connection test (Installieren > Netzwerk > Einstellung > Anschlussstest) wählen, um die Internetverbindung erneut zu testen.**
- 4. Setup > Network > Settings > Information (Installieren > Netzwerk > Einstellung > Informationen) wählen und dann **OK/>** drücken, um Informationen zur aktuellen Verbindung wie Schnittstelle, Adresstyp, IP-Adresse usw. anzuzeigen.

Zugriff auf den PC via Share & See

Wenn Foto-, Video- oder Musikdateien auf einem über das Heimnetzwerk angeschlossenen Computer gespeichert wurden, lassen sich diese Dateien über den Fernseher abspielen.

Verbindung mit dem PC
Zunächst muss eine schnurlose oder Kabel-Internetverbindung zwischen dem Fernseher und einem Router hergestellt werden. Dann den PC mit dem Router verbinden, entweder schnurlos oder per Kabel. Sicherstellen, dass die Einstellung **SETUP > Network > Settings > Internet connection (Installieren > Netzwerk > Einstellung > Internetverbindung)** auf On (Ein) steht und dass der Schutzwall des Computers die Verbindung nicht blockiert.

Aktivierung der Share-&See-Funktion
SETUP > Network > Applications > Share & See (Installieren > Netzwerk > Anwendungen > Share & See) wählen und die Funktion auf On (Ein) stellen.

Nachfolgende Schritte durchführen:

- Freigabe von Medien auf dem PC
Einen Share-&See-Medienserver auf dem PC installieren. Am einfachsten geht das mit Microsoft Windows Media Player 11. Dem Fernsehgerät die Freigabe bestimmter Dateien auf dem PC gestatten.
1. Den Microsoft Windows Media Player 11 öffnen.
 - Library > Media sharing (Bibliothek > Medien) wählen.
 - Das Kontrollkästchen Share my media to (Meine Medien freigeben für) aktivieren.
 - Das Symbol des Fernsehers wählen, der an den PC angeschlossen ist.
 - Allow (Zulassen) wählen, um mit dem Fernseher auf den PC zuzugreifen. OK wählen, um den Zugriff zu aktivieren.

Hinweis: Mit der Taste Settings die gewünschten Einstellungen anpassen.

2.
 - **Library > Add to Library (Bibliothek > Zur Bibliothek hinzufügen) wählen.**
 - Die persönlichen Ordner oder die Ordner von anderen Benutzern wählen, die freigegeben werden sollen.
 - Add (Hinzufügen) wählen und OK drücken, um das hinzugefügte Element zu aktivieren.

Share-&See-Anwendung

Im Hauptmenü MEDIA (MEDIEN) wählen und OK zum Öffnen des Mediacenters drücken. Es können dann Fotos angezeigt und Musik oder Videos abgespielt werden, die auf dem PC gespeichert sind.

Smart TV

Damit können Internetanwendungen (Apps), speziell für den Fernseher abgestimmte Internetwebseiten, genutzt werden. Die Apps können mit der Fernbedienung des Fernsehers gesteuert werden.

WARNUNG:

- Die Netzwerkeinstellungen konfigurieren, bevor Smart TV (Smart TV) genutzt wird.
- Abhängig von den Netzwerkbedingungen kann es zu langsamen Reaktionen kommen.
- Bei Problemen mit einer App bitte an den Anbieter wenden.

- Abhängig vom Anbieter können Aktualisierungen oder Apps selbst auslaufen.
- Je nach den Bestimmungen des Landes sind einige Apps beschränkt oder werden nicht unterstützt.

Zugriff auf die Smart-TV-Anwendungen (Apps)

1. Im Hauptmenü SMART TV (Smart TV) auswählen und OK drücken, um die Smart TV Homepage anzuzeigen.

Abgekürztes Verfahren: SMART TV auf der Fernbedienung drücken, um die Smart-TV-Homepage direkt aufzurufen.

1. Mit **↖/↗/↘/↙** eine Anwendung wählen und zum Bestätigen OK drücken.

HbbTV

Einige Rundfunkanstalten digitaler Sender bieten interaktives HbbTV (Hybrid Broadcast Broadband TV).

Per HbbTV kombinieren Rundfunkanstalten ihre normalen TV-Sendungen mit einer Vielzahl von Informationen oder Unterhaltung. Diese Informationen können interaktiv durchsucht werden.

Für die Nutzung von HbbTV muss der Fernseher mit dem Internet verbunden sein.

Hinweis: Diese Funktion erlaubt nicht das Herunterladen von Dateien auf den Fernseher.

Zugriff auf HbbTV

Wenn ein Sender eingestellt wird, der HbbTV anbietet, die rote Taste drücken, um die interaktiven Seiten anzuzeigen. Mit **↖/↗/↘/↙** durch die HbbTV-Seiten navigieren und mit OK bestätigen.

Hinweise für Passwörter in der Funktion Jugendschutzsperre:

- *Das Standard-Passwort lautet 1234 und kann geändert werden.*
- *Der Super-Passwort ist 0423. Wenn der Code vergessen wurde, gibt man das Super-Passwort ein, um alle vorhandenen Codes zu überschreiben.*

Bildschirmauflösung:

- 1920X1080

IKEA kontaktieren

Bei Fragen zum UPPLEVA TV- und Musiksystem, wenn Beratung gewünscht oder Service benötigt wird, bitte Kontakt mit dem Kundenservice unter www.IKEA.de oder unter der Telefonnummer 0 18 05/35 34 35 aufnehmen.

Bitte vor dem Anruf die Anleitung sorgfältig durchlesen und die Artikelnummer des Produkts bereithalten, damit wir schnell und unkompliziert helfen können. Die achtstellige Artikelnummer steht auf dem Kassenbon und auf der Rückseite des UPPLEVA TV- und Musiksystems.

Informations importantes

Sécurité

Vérifiez que la tension électrique du secteur correspond bien à la tension indiquée sur l'autocollant placé au dos du téléviseur. Lorsqu'une prise secteur ou celle d'un autre appareil est utilisée pour la déconnexion, elle doit rester facilement accessible.

Sur certains modèles, le voyant lumineux de mise sous tension est situé sur le côté du téléviseur. L'absence d'indication lumineuse à l'avant ne signifie pas que le téléviseur est totalement déconnecté du secteur. Pour déconnecter complètement le téléviseur, la prise secteur doit être retirée.

Les composants de ce téléviseur sont sensibles à la chaleur. La **température ambiante maximum** ne doit pas dépasser 35°C. N'obstruez pas les orifices de ventilation situés sur les côtés ou au dos du téléviseur. Prévoyez suffisamment d'espace autour du téléviseur pour une ventilation efficace. Installez le téléviseur loin de toute source de chaleur (cheminée, etc.) et de tout appareil générant de fortes ondes magnétiques ou électriques.

Le taux d'humidité de la pièce où le téléviseur est installé ne doit pas excéder 85%. **L'appareil ne doit pas être exposé à des écoulements ou à des éclaboussures, et aucun objet rempli de liquide** (vases, etc.) ne doit être posé dessus. Le passage du téléviseur d'un endroit frais à un endroit chaud est susceptible de provoquer de la condensation sur l'écran (et sur certains composants internes). Laissez la condensation s'évaporer avant de rallumer le téléviseur.



ATTENTION

Afin d'éviter la propagation d'un incendie, maintenez toujours les bougies et autres flammes nues éloignées de ce produit.

Le bouton ϕ ou **POWER**/ ϕ du téléviseur ou le bouton ϕ de la télécommande peuvent être utilisés pour allumer le téléviseur ou le mettre en mode veille. **Si vous prévoyez de ne pas utiliser le téléviseur pendant une longue période**, éteignez-le complètement en débranchant la prise secteur.

En cas d'**orage**, nous recommandons de débrancher le téléviseur du secteur et de la prise d'antenne, afin qu'il ne soit pas endommagé par d'éventuelles surtensions électriques ou électromagnétiques. Pour cette raison, **la prise secteur et la prise d'antenne** doivent rester facilement accessibles, de manière à pouvoir les **débrancher** en cas de besoin.

Débranchez immédiatement le téléviseur si vous constatez qu'il dégage une **odeur de brûlé** ou laisse échapper de la **fumée**. Vous ne devez en aucun cas ouvrir le téléviseur par vos propres moyens, en raison du risque de **décharge électrique**.

Écran du téléviseur

L'écran de ce produit est en verre. Il peut facilement se briser suite à une chute ou à un choc. L'écran télé est un élément de haute technologie qui offre des images très nettes. Il peut arriver, occasionnellement, que quelques points fixes bleus, verts ou rouges apparaissent sur l'écran. Ceci n'affecte pas les performances du produit.

Entretien

Utilisez un produit à vitres pour nettoyer l'écran et un tissu doux imbibé d'un détergent peu agressif pour le reste du téléviseur.

Important : L'utilisation d'un détergent agressif, de produits abrasifs ou à base d'alcool, peut endommager l'écran. Dépoussiérez régulièrement les orifices de ventilation situés sur les côtés et à l'arrière du téléviseur. L'utilisation de solvants, de produits abrasifs et de produits à base d'alcool, peut endommager le téléviseur.

Si un objet ou un liquide pénètre à l'intérieur du téléviseur, débranchez immédiatement l'appareil et faites-le

contrôler par un technicien agréé.
N'ouvrez en aucun cas le téléviseur par vos propres moyens ; vous pourriez vous blesser ou endommager l'appareil.



Suspension murale

ATTENTION : cette opération nécessite l'intervention de deux personnes.

Pour une installation sans danger, respectez les consignes de sécurité ci-dessous :

- Vérifiez que le mur peut supporter le poids du téléviseur et de la fixation murale.
- Suivez les instructions d'installation fournies avec la fixation murale. Sur certains modèles, avant de procéder au montage mural, veillez à visser les blocs (et vis) de fixation murale VESA hexagonaux livrés avec l'appareil sur les écrous de montage mural situés au dos de l'appareil.
- Le téléviseur doit être installé sur un mur vertical.
- Assurez-vous d'utiliser exclusivement des vis adaptées au matériau de construction du mur.
- Assurez-vous de disposer les câbles du téléviseur hors du passage des personnes de manière à éviter les chutes.

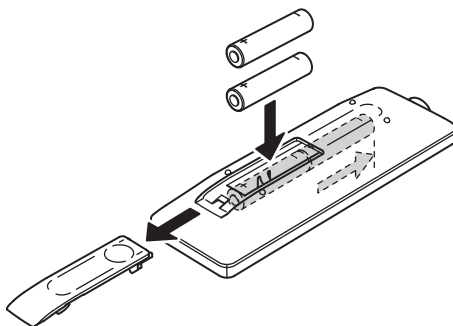
Toutes les autres instructions de sécurité relatives à nos téléviseurs sont également applicables.

Installation sur une table

Avant d'installer le téléviseur, vérifiez que la surface sur laquelle vous souhaitez le placer supportera son poids.

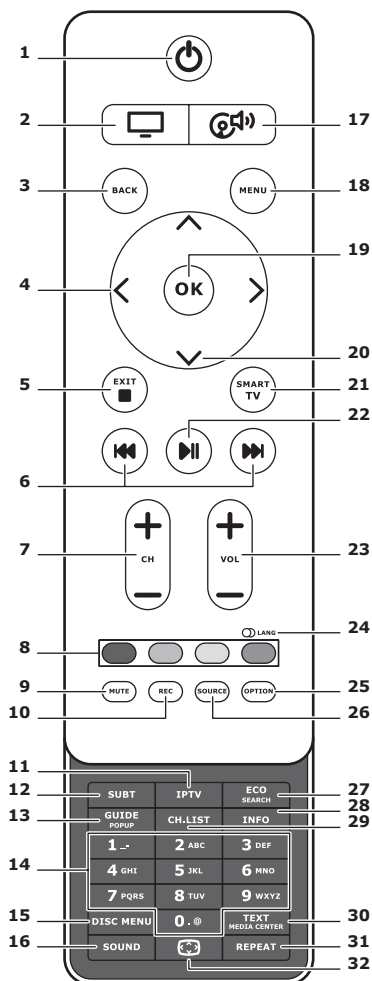
Ne posez pas le téléviseur sur une surface instable (étagère mobile, bord d'un meuble) et vérifiez que la façade du téléviseur ne dépasse pas de la surface sur laquelle il est posé.

Ce produit a été conçu et fabriqué avec des matériaux de grande qualité et des composants recyclables et réutilisables. Ce symbole indique qu'à la fin de leur durée de vie, les équipements électriques et électroniques doivent être jetés indépendamment des autres déchets pour prévenir tout impact négatif sur l'environnement et la santé. Veuillez donc apporter ce matériel à la déchetterie la plus proche de chez vous. Dans l'Union européenne, des systèmes de collecte/recyclage spécifiques sont mis en place pour les équipements électriques et électroniques usagés. Merci de nous aider à préserver l'environnement dans lequel nous vivons tous !



Fonctions de la télécommande

La plupart des fonctions du téléviseur sont accessibles par le biais des menus apparaissant à l'écran. La télécommande fournie avec le téléviseur peut être utilisée pour parcourir ces menus et effectuer les différents réglages.



1.
Veille / marche.
2.
Utilisation de la télécommande pour la TV.
3. **BACK**
Retour au menu précédent.
Retour à la chaîne précédente.
4. **<>**
Navigation av./arr. dans les menus.
Sélection d'une fonction, modification d'une valeur
> ouverture de sous-menu correspondant.
5. **EXIT/■**
Quitter l'arborescence des menus ou le Télétexte ; désélectionner une fonction.
6. **⏮**
Av./ret. rapides (appuyer sur la touche et maintenir enfoncé, dans la fonction Media) ; fonction suiv./préc. pour photos, sons ou vidéos.
7. **CH+/-**
Changer de chaîne.
8. **Touches de couleur**
Sélection des tâches ou des pages Télétexte. Touche rouge : aussi pour fonction MHEG.
9. **MUTE**
Coupure et rétablissement du son.
10. **REC**
Enregistrement d'un programme.
11. **IPTV**
Pas de fonction.

12. SUBT

Sélection d'une langue de sous-titres disponible pour le programme TV numérique sélectionné.

13. GUIDE

Activation/désactivation de l'EPG (guide électron. des progr.), uniquement disponible pour les chaînes numériques.

14. 0-9

Sélection d'un numéro de chaîne.
Sélection de lettre, chiffre, symbole d'une fonction.

15. DISK MENU

Pas de fonction.

16. SOUND

Sélection d'un mode de son pré-réglé.

17. 

Utilisation de la télé-commande pour le système audio.

18. MENU

Accès au menu principal.
Accès/suppression du clavier virtuel de la télévision connectée.

19. OK

Confirmation d'une saisie/sélection.
Sélection/désélection de l'arrêt sur image pour la télévision numérique.

20. ^ v

Navigation dans les menus.
Sélection d'option dans les menus.

21. Smart TV

Affichage de la page d'accueil de la télévision connectée.

22. 

Lecture/pause.

23. VOL+ /-

Contrôle du volume.

24.  LANG

Sélection d'un type sonore/langue audio disponible pour le programme TV analogique sélectionné.

25. OPTION

Ouverture du menu des fonctions pour exécuter certaines opérations ; affichage de la page Télétexte dans un mode différent.

26. SOURCE

Sélection des appareils connectés.

27. ECO

Sélection du mode d'économie d'énergie souhaité.

28. INFO

Affichage des informations sur les programmes, si disponible.

29. CH.LIST

Affichage de la liste des chaînes.

30. TEXT/MEDIA CENTER

Activation ou désactivation du télétexte.

31. REPEAT

Pas de fonction.

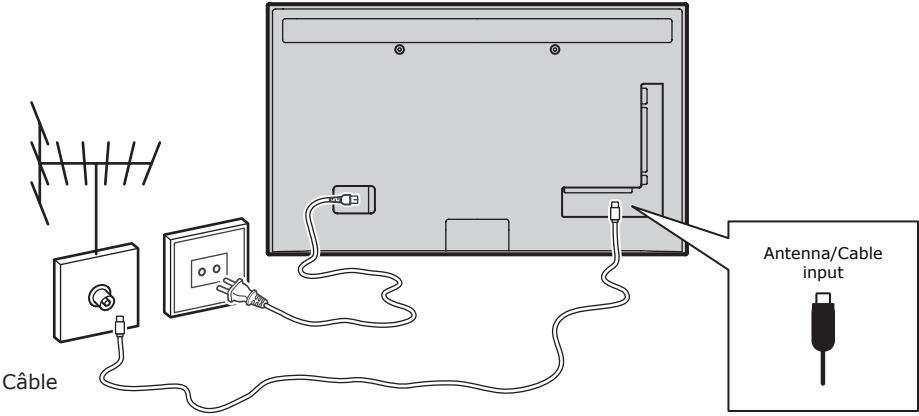
32. 

Sélection du format d'image.
Remarque : il est conseillé d'utiliser le mode plein écran. Ne pas utiliser de mode d'affichage avec des barres noires sur les côtés de l'image (tel que 4:3) de manière prolongée, l'écran risque d'être définitivement endommagé.

Branchement de l'alimentation et de l'antenne

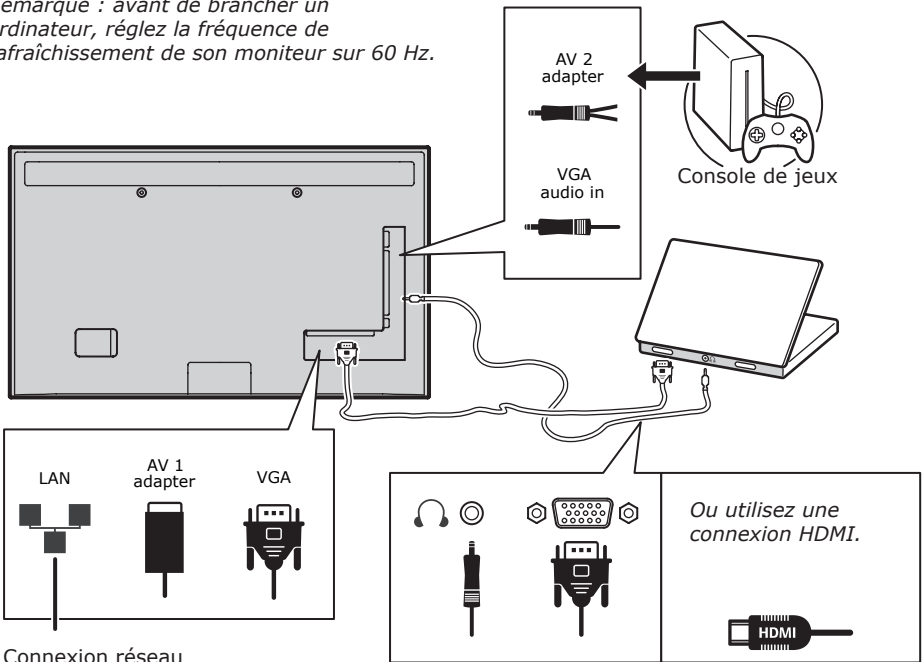
Pour allumer le téléviseur après avoir branché le cordon d'alimentation, appuyez sur la touche \odot ou **POWER**/ \odot .

Remarque : l'emplacement de la prise d'alimentation varie en fonction du modèle du téléviseur. Sur certains modèles, vous devez allumer l'appareil avant le branchement.

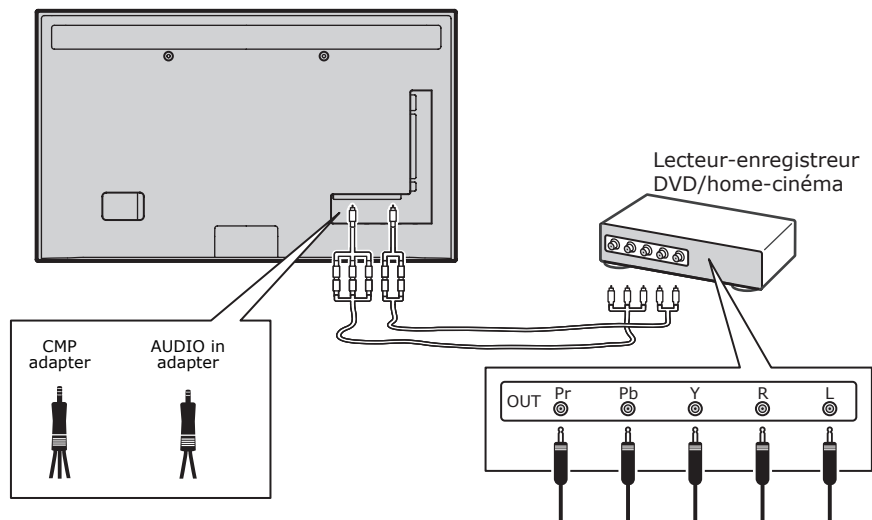


Console de jeux, PC

Remarque : avant de brancher un ordinateur, réglez la fréquence de rafraîchissement de son moniteur sur 60 Hz.



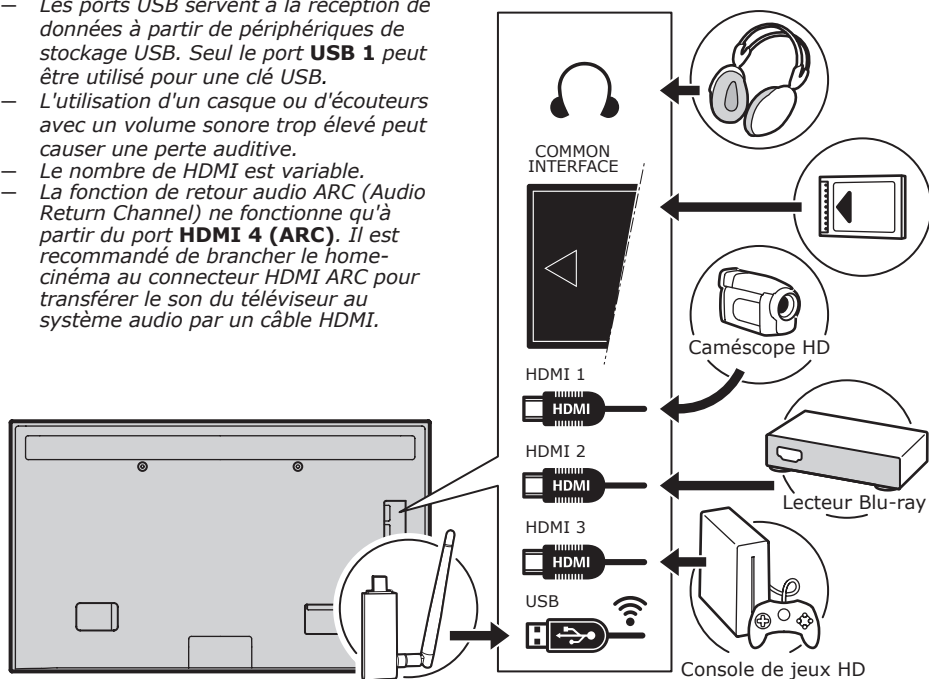
Lecteur-enregistreur DVD, home-cinéma



Lecteur Blu-ray, écouteurs, console de jeux HD et caméscope HD

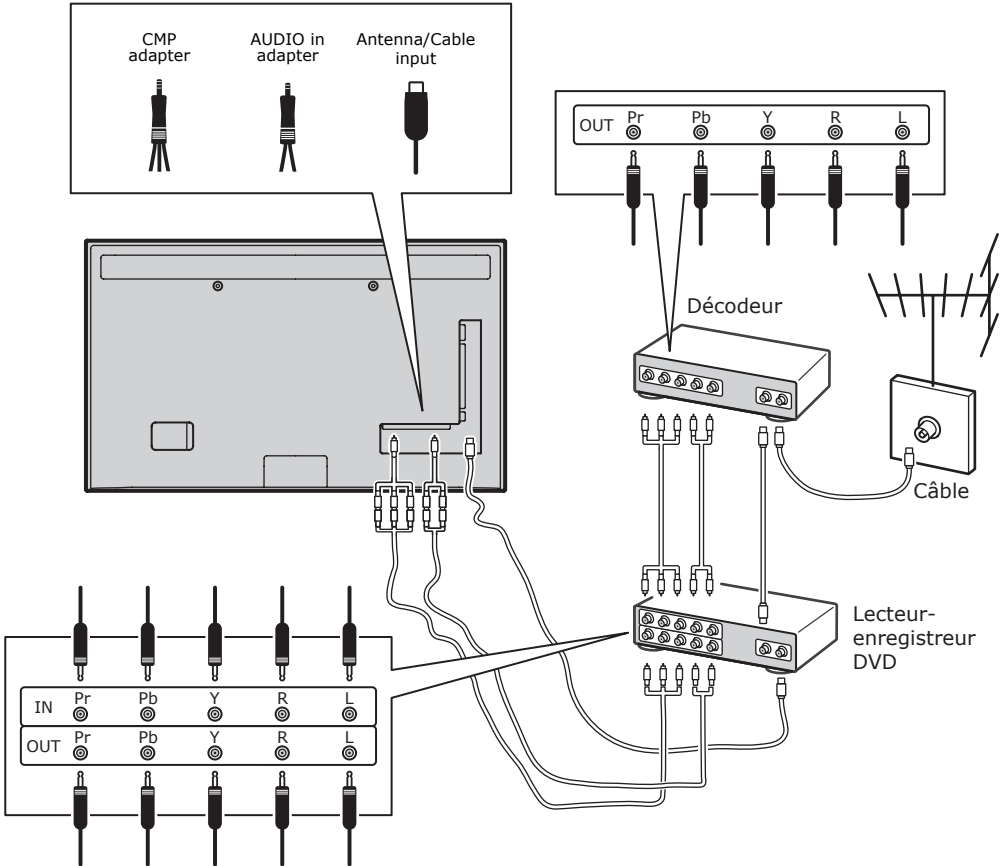
Remarque :

- Les ports USB servent à la réception de données à partir de périphériques de stockage USB. Seul le port **USB 1** peut être utilisé pour une clé USB.
- L'utilisation d'un casque ou d'écouteurs avec un volume sonore trop élevé peut causer une perte auditive.
- Le nombre de HDMI est variable.
- La fonction de retour audio ARC (Audio Return Channel) ne fonctionne qu'à partir du port **HDMI 4 (ARC)**. Il est recommandé de brancher le home-cinéma au connecteur HDMI ARC pour transférer le son du téléviseur au système audio par un câble HDMI.



Lecteur-enregistreur DVD, décodeur câble

Remarque : débranchez le câble
d'alimentation avant de brancher
d'autres appareils.



Remarques :

- Les schémas sont donnés à titre d'exemple. Votre appareil peut avoir un aspect différent ou ne pas présenter les mêmes fonctions.
- L'emplacement de la prise d'alimentation du téléviseur peut varier en fonction du modèle.
- L'emplacement et le nom des touches de fonction et des ports du téléviseur peuvent varier en fonction du modèle.

Important:

Si vous pensez ne pas utiliser la télécommande durant une longue période, retirez les piles et conservez-les dans un lieu adapté. Les piles endommagées ou qui fuient doivent être manipulées avec précaution. Si la télécommande comporte deux piles, ne pas mélanger les anciennes et les nouvelles piles. Les piles ne doivent pas être exposées à une chaleur excessive comme le soleil, le feu ou équivalent. Il existe un danger d'explosion si les piles ne sont pas correctement remplacées. Remplacer par le type de piles recommandées par le fabricant. Jetez les piles usagées selon les instructions du fabricant. Respectez les consignes locales du recyclage ou du traitement des déchets, et rendez-vous à la déchetterie la plus proche pour jeter les piles. Si les piles de la télécommande sont déchargées, vous pouvez utiliser les touches du téléviseur. En mode TV, elles ont les mêmes fonctions que les touches correspondantes de la télécommande. Dans les menus, elles ont les fonctions suivantes :

CH ^	^
CH v	v
VOL >	>
VOL <	<
MENU/≡	MENU
OK/☑	OK

Allumer/éteindre le téléviseur

1. Lors de la mise sous tension, le téléviseur s'allume directement ou se met en veille. Pour l'allumer s'il est en mode veille, appuyez sur la touche  ou **POWER/** du téléviseur ou sur la touche  de la télécommande.
2. Pour mettre le téléviseur en mode veille, appuyez sur la touche  ou **POWER/** du téléviseur ou sur la touche  de la télécommande. Le téléviseur reste sous tension, mais avec une consommation électrique réduite.
3. Pour le mettre hors tension, débranchez-le de la prise secteur.
(Sur certains modèles, vous devez d'abord l'allumer.)

Configuration initiale

Il s'agit de la sélection de tous les paramètres requis pour la recherche et l'enregistrement de toutes les chaînes analogiques et numériques que vous pouvez recevoir. Assurez-vous que le téléviseur est allumé et suivez toutes les étapes dans l'ordre indiqué ci-après.

Remarque : si la recherche des chaînes par le téléviseur ne trouve que des chaînes analogiques, cela peut être dû à une mauvaise diffusion, ce qui n'est pas couvert par la garantie du constructeur. Le constructeur ne peut pas être tenu pour responsable de l'absence de diffusion ou de sa mauvaise qualité dans certaines zones. La première fois que vous allumez le téléviseur, l'assistant Initial setup s'ouvre et vous guide dans la procédure de réglage initial. (Figure 1.)

Appuyez sur OK pour démarrer votre réglage initial.

1. Sélectionnez la langue de votre choix au moyen des touches **^/v**, puis appuyez sur **OK/>** pour passer à l'étape suivante.
2. Sélectionnez votre pays au moyen des touches **^/v**, puis appuyez sur **OK/>** pour passer à l'étape suivante.

*Remarque : si vous sélectionnez **France**, vous devrez à ce stade entrer dans le menu **Password setting** pour saisir un mot de passe. Utilisez les boutons numériques pour saisir un nombre à quatre chiffres (0000 est trop simple pour être défini comme mot de passe). Saisissez à nouveau le même mot de passe pour confirmation. Tout de suite après, vous passerez automatiquement à l'étape suivante. (Dans cette étape, vous pouvez uniquement appuyer sur **BACK** pour retourner à l'étape précédente.)*

3. Appuyez sur **^/v** pour sélectionner le mode de syntonisation **Antenna** ou **Cable** ou **Satellite**. (*Remarque : certains modèles ne possèdent pas cette option.*)
 - Sélectionnez **Antenna**.
 - Appuyez sur **OK/>** pour valider.
 - Sélectionnez **Digital & Analogue, Digital** ou **Analogue**, puis appuyez sur **OK/>**.
 - Appuyez sur **^/v** pour sélectionner **Scan**, puis appuyez sur **OK/>** pour démarrer automatiquement la recherche concernant le réglage initial de tous les chaînes numériques DVB-T et analogiques.

- Sélectionnez **Cable**.
- Appuyez sur **OK/>>** pour valider.
- Sélectionnez **Digital & Analogue**, **Digital** ou **Analogue**, puis appuyez sur **OK/>>**.
- Appuyez sur **^/V** pour sélectionner **Scan**, puis appuyez sur **OK/>>** pour démarrer directement votre réglage initial ou pour passer à l'étape ci-dessous.
- Sélectionnez **Full**, si disponible, pour rechercher et sauvegarder toutes les chaînes DVB-C et analogiques.
- Vous pouvez sélectionner un autre mode de recherche avancée, si disponible, (par exemple **Advanced**). Configurez ensuite correctement les informations du câble comme décrit ci-dessous. Utilisez les boutons numériques pour régler les valeurs de fréquence, de débit de symboles et d'identifiant de réseau ; utilisez **</>** pour sélectionner un mode de modulation.
- Appuyez sur **OK** pour lancer l'installation initiale relative à toutes les chaînes DVB-C analogiques et numériques.

Remarque : tous les modèles de téléviseur ne disposent pas de cette option.

- Sélectionnez **Satellite**.
- Appuyez sur **OK/>>** pour valider.
- Appuyez sur **^/V** pour sélectionner **Scan**, puis appuyez sur **OK/>>** pour accéder à l'étape suivante permettant de configurer l'information valide relative au satellite et à l'antenne.
- Appuyez sur **OK** pour démarrer le réglage initial des chaînes par satellite.

Remarques : pour éviter l'interruption du processus de configuration des chaînes, attendez le message indiquant que l'opération est terminée.

4. Avant de démarrer la recherche, vous pouvez également sélectionner **Skip scan** pour abandonner le réglage initial en cours.
5. Pendant la configuration, vous pouvez suivre les instructions au bas de l'écran pour revenir à l'étape précédente en appuyant sur **BACK**. Ou appuyez sur **EXIT** pour quitter ou interrompre la recherche en cours.
6. Une fois la recherche automatique terminée, le téléviseur passe automatiquement à l'étape suivante. Appuyez sur **^/V** pour sélectionner un lieu, **Shop** ou **Home**. Appuyez sur **OK/>>** pour confirmer votre sélection et

passer à la dernière étape.

- A ce stade, vous pouvez appuyer sur **OK** pour quitter la configuration initiale. Les chaînes sont classées dans un ordre prédéfini. Si vous souhaitez ignorer des chaînes, en modifier l'ordre ou renommer des chaînes, choisissez **SETUP > Organiser** puis appuyez sur **OK/>>** pour valider.
- A ce stade, vous pouvez aussi appuyer sur **BACK** pour revenir à l'étape précédente.

Configuration automatique des chaînes

Cette section décrit comment rechercher et enregistrer automatiquement des chaînes. Les instructions concernent les chaînes analogiques et numériques.

1. Appuyez sur **MENU** sur la télécommande et sélectionnez **SETUP > Language > Menu Language**. Appuyez sur **</>** pour sélectionner la langue de votre choix.
2. Appuyez sur **BACK** pour retourner à **SETUP**, appuyez sur **^/V** pour sélectionner **Country**, puis appuyez sur **</>** pour sélectionner votre pays. Le téléviseur installe et organise les chaînes en fonction de votre pays.
3. Appuyez sur **^/V** pour sélectionner **Tuner Mode**, puis appuyez sur **</>** pour sélectionner **Antenna**, **Cable** ou **Satellite**.

(Certains modèles ne disposent pas de cette option.)

- Sélectionnez **Antenna**.
- Appuyez sur **^/V** pour sélectionner **Channel Install** et appuyez sur **OK/>>** pour valider.
- Sélectionnez **Automatic Search** (Figure 2.), puis appuyez sur **OK/>>** pour afficher **Automatic Search**.
- Appuyez sur **OK** pour abandonner la sélection du pays et passer à l'étape suivante. Ou utilisez **</>** pour sélectionner à nouveau votre pays et appuyez sur **OK** pour valider.
- Sélectionnez **Digital & Analogue**, **Digital** ou **Analogue**, puis appuyez sur **OK/>>** pour démarrer la recherche automatique, qui concerne toutes les chaînes numériques DVB-T et/ou analogiques.
- Sélectionnez **Cable**.
- Appuyez sur **^/V** pour sélectionner **Channel Install** et appuyez sur **OK/>>** pour valider.

- Sélectionnez **Automatic Search**, puis appuyez sur **OK/>** pour afficher **Automatic Search**.
- Appuyez sur **OK** pour abandonner la sélection du pays et passer à l'étape suivante. Ou utilisez **</>** pour resélectionner votre pays, puis appuyez sur **OK** pour valider.
- Sélectionnez **Digital & Analogue**, et appuyez sur **OK/>** pour valider. Sélectionnez votre mode de recherche s'il est disponible et configurez correctement les informations du câble de la même manière que lors du réglage initial. Sélectionnez **Scan** et appuyez sur **OK/>** pour démarrer la recherche automatique concernant toutes les chaînes numériques DVB-C et analogiques.
- Sélectionnez **Digital** puis suivez la procédure décrite ci-dessus pour démarrer la recherche automatique concernant toutes les chaînes numériques DVB-C.
 - Sélectionnez **Analogue** et appuyez sur **OK/>** pour démarrer la recherche automatique concernant toutes les chaînes analogiques.
 - Sélectionnez **Satellite**.

Remarque : tous les modèles de téléviseur ne disposent pas de cette option.

- Appuyez sur **^/V** pour sélectionner **Satellite Setup** et appuyez sur **OK/>** pour valider.
- Appuyez sur **^/V** pour sélectionner un satellite ou ajouter de nouveaux satellites si nécessaires, puis appuyez sur **OK** pour valider et configurer l'information adéquate pour le satellite et l'antenne.
- Sélectionnez **SETUP > Channel Install > Automatic Search** et appuyez sur **OK/>** pour valider.
 - Sélectionnez **Country** et utilisez **</>** pour resélectionner votre pays si nécessaire.
 - Sélectionnez **Satellite Tuning** et appuyez sur **OK/>** pour afficher le menu **SATELLITE TUNING**. Configurez l'information. Sélectionnez **Scan** et appuyez sur **OK/>** pour démarrer le réglage automatique pour toutes les chaînes satellite.

Remarque : tous les modèles de téléviseur ne disposent pas de cette option

4. La recherche peut prendre plusieurs minutes. Vous pouvez abandonner la

- procédure en appuyant sur **EXIT**.
5. Une fois la recherche automatique terminée, appuyez sur **BACK** pour revenir à l'étape précédente ou appuyez sur **OK** pour relancer la recherche des chaînes.
6. Après la recherche automatique, les chaînes sont organisées selon un ordre prédéfini. Vous pouvez ignorer des chaînes, en modifier l'ordre prédéfini ou les renommer.

Utilisation du téléviseur - Accès aux chaînes

Avec les touches numériques : appuyez sur les chiffres correspondants pour accéder aux chaînes.

Avec les touches CH+/- ou CH ^/V : faites défiler les chaînes.

Accès aux périphériques connectés

Appuyez plusieurs fois sur **SOURCE** sur la télécommande ou sur le bouton **OK** du téléviseur pour passer du téléviseur à d'autres sources d'entrée. Pour revenir au téléviseur, appuyez sur une touche numérique quelconque pour accéder à la chaîne correspondante, ou utilisez **CH+/-** pour faire défiler toutes les chaînes et d'autres sources d'entrée.

*Remarque : tous les modèles de téléviseur ne disposent pas d'une touche **OK**.*

Volume

Contrôle du volume : utilisez les touches **VOL</>** du téléviseur ou les touches **VOL+/-** de la télécommande pour augmenter ou réduire le volume.

Couper le son : appuyez sur la touche **MUTE** pour couper provisoirement le son. Appuyez sur cette touche ou sur la touche **VOL+** pour rétablir le son.

Utilisation des menus du téléviseur

1. Appuyez sur **MENU** pour afficher le menu principal. (Figure 3.)
2. Appuyez sur **^/V/</>** pour sélectionner l'élément de votre choix, et appuyez sur **OK** pour ouvrir le sous-menu correspondant.
3. Dans les sous-menus, utilisez **^/V** pour sélectionner les options du menu, les touches **</>** pour régler des fonctions ou modifier des valeurs, la touche **OK** pour activer une configuration, et la touche **OK/>** pour ouvrir les sous-

menus correspondants.

- Appuyez sur **BACK** pour revenir au menu précédent.
 - Appuyez sur **EXIT** pour fermer le menu.
- Remarque : certaines options peuvent ne pas être disponibles pour certaines sources de signal.*

Sélection de la langue de menu

Choisissez la langue du menu en suivant les instructions ci-dessous.

- Appuyez sur **MENU** pour afficher le menu principal.
- Appuyez sur **^/V/</>** pour sélectionner **SETUP** et appuyez sur **OK** pour valider.
- Sélectionnez **Language** et appuyez sur **OK/>** pour valider.
- Sélectionnez **Menu Language** et appuyez sur **</>** pour sélectionner la langue choisie pour l'affichage du menu.
- Appuyez sur **EXIT** pour fermer le menu.

Fonctions avancées du téléviseur - Configuration de vos chaînes préférées

Vous pouvez créer une liste de vos chaînes préférées.

- Appuyez sur **CH.LIST**.
- Appuyez sur la touche jaune pour sélectionner **CHANNEL LIST SELECTION**. Appuyez sur **^/V** pour sélectionner la liste désirée puis appuyez sur **OK** pour valider.
- Appuyez sur la touche bleue pour commencer la modification de votre liste. Appuyez sur **^/V** pour parcourir la liste des chaînes et appuyez sur **OK** pour en sélectionner ou en désélectionner.
- Répétez cette procédure pour configurer d'autres chaînes.
- Appuyez sur **CH.LIST/EXIT** pour quitter le menu.

Réduction de la consommation

- Appuyez sur la touche **MENU** de la télécommande et sélectionnez **PICTURE > ECO Settings > Energy Saving**.
- Appuyez sur **</>** pour sélectionner le mode d'économie d'énergie désiré.
- Appuyez sur **EXIT** pour fermer le menu.

Raccourci : appuyez sur la touche **ECO** de la télécommande pour sélectionner directement le mode économique désiré.

Fonction PAP

Pour afficher les images de plusieurs sources côte à côte. A noter qu'une fenêtre affiche les sources de la télévision analogique et numérique, et l'autre affiche les formats VGA, HDMI et CMP. (*Remarque : l'entrée AV n'est pas possible simultanément pour les deux fenêtres.*)

- Appuyez sur **MENU** pour afficher le menu principal.
- Sélectionnez **PAP** et appuyez sur **OK** pour valider.
- Sélectionnez l'option **PAP** et appuyez sur **</>** pour activer/désactiver la fonction PAP.
- Sélectionnez **TV Position**, appuyez sur **</>** pour repositionner la fenêtre.
- Appuyez sur **</>** pour passer d'une fenêtre à l'autre.
- Quand la fenêtre du téléviseur est active, les touches de chiffres et **CH+/-** fonctionnent pour la télévision. Quand l'autre fenêtre est active, **CH+/-** permet de passer d'une autre source disponible à l'autre.

Utilisation des sous-titres

Vous pouvez activer les sous-titres pour chaque chaîne de télévision. Les sous-titres sont diffusés via la transmission numérique du télétexte ou la norme DVB-T/DVB-C. Grâce à la transmission numérique, vous disposez de l'option supplémentaire permettant de choisir la langue de sous-titres souhaitée.

Activation/désactivation des sous-titres

- Appuyez sur la touche **MENU** de la télécommande et sélectionnez **OPTIONS > Subtitle**.
- Appuyez sur **OK/>** pour entrer. (Voir Figure 4.)
- Sélectionnez **Subtitle** et appuyez sur **</>** pour sélectionner **On/Off** pour activer/désactiver les sous-titres.

Activation d'une langue de sous-titres sur les chaînes de télévision numérique

- Appuyez sur la touche **MENU** de la télécommande et sélectionnez **OPTIONS > Subtitle > Digital Subtitle Language**.
- Appuyez sur **</>** pour sélectionner la

- langue de sous-titres souhaitée.
- Appuyez sur **▲/▼** pour sélectionner **Digital Subtitle Language 2nd**.
 - Appuyez sur **</>** pour sélectionner une deuxième langue de sous-titres.
 - Appuyez sur **EXIT** pour fermer le menu.

Raccourci : appuyez sur la touche **SUBT** de la télécommande pour sélectionner directement une langue de sous-titres disponible pour le programme de télévision numérique sélectionné.

Sélection d'un type de sous-titres sur les chaînes TV numériques

- Appuyez sur la touche **MENU** de la télécommande et sélectionnez **OPTIONS > Subtitle > Subtitle Type**.
- Appuyez sur **</>** pour sélectionner un type de sous-titres. Vous pouvez sélectionner **Hearing Impaired** pour afficher les sous-titres pour malentendants dans la langue de votre choix.

Sélection de la langue de la page de décodage dans le télétexte

Appuyez sur la touche **MENU** de la télécommande et sélectionnez **OPTIONS > Teletext > Decoding Page Language**. Sélectionnez la langue d'affichage du Télétexte.

Langue du télétexte numérique

Sur les chaînes de télévision numériques, votre téléviseur peut passer à un service à plusieurs pages télétexte initialement en plusieurs langues. Cette fonction vous permet de choisir une langue disponible comme langue principale associée aux différentes pages télétexte initiales. Appuyez sur la touche **MENU** de la télécommande et sélectionnez **OPTIONS > Teletext > Digital Teletext Language**. Appuyez sur **</>** pour sélectionner.

Type SPDIF

Se connecte à un périphérique audio par la sortie **SPDIF**. Appuyez sur la touche **MENU** de la télécommande et sélectionnez **OPTIONS > SPDIF Type**. Sélectionnez dans la liste un type de son approprié pour les programmes numériques.

- si le programme en cours émet un son au format **Dolby D**, il est possible de sélectionner **PCM** ou **Dolby D**.

- si le programme en cours n'émet pas un son au format **Dolby D**, seul **PCM** peut être sélectionné. Sinon, aucun son ne sera émis.
- Sélectionnez **Off** pour désactiver la sortie audio de l'appareil audio branché à la sortie **SPDIF**.

Remarque : les options que vous pouvez choisir dépendent du programme regardé. Si vous sélectionnez **PCM** et que la sortie audio est décalée par rapport à l'image, vous pouvez sélectionner **SPDIF Delay** du menu **OPTIONS** et utiliser les touches **</>** pour régler le retard afin de synchroniser le son et l'image.

T-Link

Pour rechercher des périphériques CEC connectés au port HDMI de votre téléviseur et permettre la lecture et la mise en veille via une seule touche entre les périphériques CEC.

Activation ou désactivation de T-Link

- Appuyez sur la touche **MENU** de la télécommande, puis sélectionnez **OPTIONS > T-Link**.
- Appuyez sur **</>** pour sélectionner **On** ou **Off**.

Utilisation de la lecture en une touche

La lecture en une touche vous permet d'appuyer sur la touche de lecture sur la télécommande DVD, par exemple. Cela lance la lecture sur le lecteur DVD et le téléviseur passe automatiquement à la bonne source en affichant le contenu du DVD.

Utilisation de la mise en veille du système

La veille du système vous permet d'appuyer sur la touche **⏻** de la télécommande du téléviseur, par exemple. Ceci déclenche le mode veille du téléviseur et de tous les périphériques HDMI.

Mise à jour du réseau

Appuyez sur la touche **MENU** de la télécommande, puis sélectionnez **OPTIONS > Network Update**. Sélectionnez **On/Off** pour activer/

désactiver la fonction de mise à jour du réseau.

- Quand la fonction est activée, le téléviseur met automatiquement les chaînes à jour si votre fournisseur de télévision numérique met à jour son réseau.
- Quand la fonction est désactivée, vous devez effectuer la recherche par chaîne pour installer de nouvelles chaînes ou supprimer les chaînes non disponibles si votre fournisseur de télévision numérique ajoute ou supprime des chaînes sur son réseau.

Interface commune

Les chaînes TV numériques cryptées peuvent être décodées avec un module d'interface commune et une carte fournie par un prestataire de services de télévision numérique.

Le module d'interface commune peut activer plusieurs services numériques en fonction du prestataire et des services que vous choisissez (par exemple, la télévision payante). Contactez votre prestataire de services de télévision numérique pour plus d'informations sur les services et les conditions.

Utilisation du module d'interface commune

AVERTISSEMENT : éteignez le téléviseur avant d'insérer un module d'interface commune. Assurez-vous de suivre les instructions décrites ci-dessous. L'insertion incorrecte d'un module d'interface commune peut endommager le module et le téléviseur.

1. En suivant les indications imprimées sur le module d'interface commune, insérez doucement le module dans l'emplacement réservé à l'interface commune sur le téléviseur.
2. Poussez le module jusqu'à insertion complète.
3. Allumez le téléviseur et attendez l'activation du module d'interface commune. Cela peut prendre plusieurs minutes.

Remarque : ne retirez pas le module de son emplacement. Le retrait du module désactive les services numériques.

Accès aux services de l'interface commune

Après avoir inséré et activé le module d'interface commune, appuyez sur la touche **MENU** de la télécommande et sélectionnez **OPTIONS > Common Interface**. Cette option est disponible uniquement si le module est correctement inséré et activé. Les applications et le contenu à l'écran sont fournis par votre prestataire de services de télévision numérique.

Mise à jour du logiciel

Appuyez sur la touche **MENU** de la télécommande et sélectionnez **OPTIONS > Software Update**. Appuyez sur **OK/>** pour entrer.

- **Current Version** : vérifie la version actuelle du logiciel.
- **Product Name** : affiche le nom de produit du téléviseur.
- **Serial Number**(si existant): affiche le n° de série du téléviseur.
- **By Network** : permet de télécharger et d'installer la dernière version du logiciel depuis Internet. Assurez-vous d'avoir une connexion filaire ou sans fil, puis sélectionnez **By Network** et appuyez sur **OK/>** pour entrer. Suivez les instructions à l'écran.

Remarque : connectez un dispositif USB au téléviseur avant la mise à jour du logiciel.

- **By Channel** : permet d'installer la dernière version du logiciel si disponible. Sélectionnez **By Channel** et appuyez sur **OK/>** pour entrer.
- Utilisez les touches **</>** pour sélectionner **Yes** sous **Auto Download** pour télécharger automatiquement le dernier logiciel si disponible. Une fois le logiciel téléchargé avec succès, vous serez invité à décider si vous voulez l'installer. Si oui, suivez les indications à l'écran pour procéder à l'installation. Vous pouvez également choisir d'ignorer l'installation.
- Sélectionnez **No** sous **Auto Download** pour refuser le téléchargement automatique.
- Sélectionnez **Manual Download** et appuyez sur **OK/>** pour démarrer la recherche manuelle du dernier logiciel. Suivez les indications à l'écran pour terminer. Lors de la recherche, appuyez

sur **OK/EXIT** pour annuler ou quitter la procédure.

Choisir les modes Shop (usine) ou Home (domicile)

1. Appuyez sur la touche **MENU** de la télécommande et sélectionnez **OPTIONS > Location**.
 2. Appuyez sur **</>** pour sélectionner **Shop** ou **Home**.
 3. Appuyez sur **EXIT** pour quitter le menu.
- Remarque : selon la directive européenne 2009/125/CE, le téléviseur en mode Home se met automatiquement en veille au bout de 4 heures d'inactivité. Cette option peut être désactivée à partir du menu **OPTIONS**.*

Fonction MHEG

Certains diffuseurs de télévision numérique offrent des services de texte numérique ou interactifs spécifiques (par exemple, BBC1). Ces services fonctionnent comme un système télétexte normal avec des touches supplémentaires numériques, de couleur et de navigation.

1. Appuyez sur la touche **MENU** de la télécommande et sélectionnez **OPTIONS > Subtitle > Subtitle**.
2. Appuyez sur **</>** pour régler **Subtitle** sur **Off**.

*Remarque : MHEG et sous-titres s'excluent mutuellement et ne peuvent pas coexister sur le même écran. Si **Subtitle** est réglé sur **On**, MHEG n'apparaîtra pas.*

3. Appuyez sur le bouton rouge ou sur la touche **TEXT** de la télécommande.
4. Appuyez sur **^/v/</>** pour sélectionner ou surligner les éléments.
5. Appuyez sur **OK** pour confirmer ou activer.
6. Appuyez sur l'une des touches de couleur pour sélectionner une option.
7. Appuyez sur **TEXT** ou **EXIT** pour quitter le menu.

Visionner des photos, écouter de la musique et regarder des vidéos à partir d'un périphérique de stockage USB

Votre téléviseur comporte un port USB qui vous permet de visionner des photos, écouter de la musique ou regarder des vidéos stockées sur un périphérique de stockage USB.

Formats de fichiers pris en charge :

Photo JPEG

Music MP3
Vidéo AVI, MP4, MPG, MPEG, TS, DIVX, MKV..

Remarques : certaines clés et certains produits USB (appareils photo numériques ou téléphones portables par exemple) ne sont pas entièrement compatibles avec le standard USB 2.0. Il est donc possible qu'ils ne fonctionnent pas avec le lecteur multimédia du téléviseur. Les clés ou appareils USB ne sont pas tous compatibles avec la fonction USB. Les formats ci-dessus ne sont pas tous pris en charge. Les formats d'encodage de vos fichiers déterminent s'ils peuvent ou non être utilisés.

Lorsqu'un périphérique USB est détecté, il accède directement au menu **MEDIA**. (*Autre possibilité : sélectionnez **MEDIA** dans le menu principal et appuyez sur **OK** pour entrer.*)

Photo

Pour afficher les images, si disponible.

1. Sélectionnez **MEDIA > PHOTO** et appuyez sur **OK** pour accéder au navigateur du menu principal.
2. Dans la navigation principale de contenu de fichier, utilisez **^/v/</>** pour sélectionner une photo ou un dossier de fichier interne.
3. Sélectionnez un dossier de fichier interne, appuyez sur **OK** pour entrer dans le navigateur de contenu d'un sous-fichier.
4. Utilisez les touches **^/v/</>** pour sélectionner une photo soit dans la navigation principale de contenu de fichier, soit dans la navigation secondaire, appuyez sur **MENU** pour afficher le menu photo en mode dossier.
 - **Sort** : trier les dossiers et les photos par date de modification ou par nom.
 - **Edit** : copier, coller ou effacer une photo sélectionnée.
 - **Parser** : vous pouvez sélectionner **Recursive** pour afficher des photos de tous les sous-dossiers.
5. Sélectionnez une photo, appuyez sur **OK** pour la visualiser, et un diaporama démarrera à partir de la photo sélectionnée. Appuyez sur **||** pour mettre la photo en pause si vous voulez la faire pivoter. Appuyez sur **MENU** pour afficher le menu photo en mode de navigation. Vous pouvez lire,

mettre en pause ou faire pivoter la photo, sélectionner un mode de lecture différent ou un effet d'affichage, etc.

- Appuyez sur les boutons concernés de la télécommande pour réaliser les fonctions disponibles indiquées dans la barre de fonctions au bas de l'écran TV.

Musique

Pour écouter de la musique, si disponible.

- Sélectionnez **MEDIA > MUSIC** et appuyez sur **OK** pour accéder au navigateur du fichier principal.
- Utilisez les touches **^/√/</>** pour sélectionner un morceau soit dans la navigation principale de contenu de fichier, soit dans la navigation secondaire de la même manière que pour la fonction d'affichage de photos, appuyez sur **MENU** pour afficher le menu musique en mode dossier.
 - Sort** : trier les dossiers et les morceaux par nom, genre, artiste ou album.
 - Edit** : copier, coller ou effacer un morceau sélectionné.
 - Parser** : vous pouvez sélectionner **Recursive** pour afficher les morceaux de tous les sous-dossiers.
- Sélectionnez un morceau, appuyez sur **OK** pour l'écouter, et la lecture commence automatiquement à partir du morceau sélectionné. Appuyez sur **MENU** pour afficher le menu musique en mode de navigation. Vous pouvez lire ou mettre en pause, sélectionner un mode de lecture différent, etc.
 - Show Lyrics** : cette option est disponible pour les morceaux avec paroles. Sélectionnez cette option et utilisez **</>** pour activer/désactiver l'affichage synchronisé des paroles.
 - Audio Only** : sélectionnez et appuyez sur **OK** pour écouter de la musique écran éteint. Appuyez sur n'importe quelle touche pour rallumer l'écran.
- Appuyez sur les boutons concernés de la télécommande pour réaliser les fonctions disponibles indiquées dans la barre de fonction au bas de l'écran TV.

Vidéo

Pour regarder une vidéo, si disponible.

- Sélectionnez **MEDIA > VIDEO**, et appuyez sur **OK** pour accéder au navigateur du fichier principal.

- Utilisez les touches **^/√/</>** pour sélectionner une vidéo soit dans la navigation principale de contenu de fichier, soit dans la navigation secondaire de la même manière que pour la fonction d'affichage de photos, appuyez sur **MENU** pour afficher le menu vidéo en mode de dossier.
 - Sort** : classer les dossiers et les vidéos par type, date de modification ou nom.
 - Edit** : copier, coller ou supprimer une vidéo sélectionnée.
 - Parser** : vous pouvez sélectionner **Recursive** pour afficher les vidéos de tous les sous-dossiers.
- Sélectionnez une vidéo, appuyez sur **OK** pour la regarder et la lecture commence automatiquement à partir de la vidéo sélectionnée. Appuyez sur **MENU** pour afficher le menu vidéo en mode de navigation. Vous pouvez lire ou mettre en pause, sélectionner un mode différent de lecture, d'écran et de réglage d'image, etc.
- Appuyez sur les boutons concernés de la télécommande pour réaliser les fonctions disponibles indiquées dans la barre de fonction au bas de l'écran TV.

Vidéo DivX

(n'existe pas pour tous les modèles)

INFORMATION SUR LE DIVX : DivX® est un format de vidéo numérique créé par DivX, LLC, filiale de Rovi Corporation. Il s'agit d'un dispositif officiel DivX Certified® qui permet de visionner des vidéos DivX. Rendez-vous sur divx.com pour plus d'information et pour connaître les outils disponibles pour convertir vos fichiers en vidéos DivX. INFORMATION SUR LE DIVX A LA DEMANDE (VOD) : ce dispositif DivX Certified® nécessite un code d'enregistrement pour pouvoir lire les films DivX VOD achetés.

Code d'enregistrement :

- Appuyez sur la touche **MENU** de la télécommande.
- Sélectionnez **OPTIONS > DivX(R) Registration**.
- Appuyez sur **OK/>** pour afficher votre code d'enregistrement.

Rendez-vous sur vod.divx.com pour plus d'information pour terminer votre enregistrement.

Annuler l'enregistrement de votre TV :

Pour annuler l'enregistrement,

- Appuyez sur la touche **MENU** de la télécommande.
- Sélectionnez **OPTIONS > DivX(R) Deregistration**.

- Appuyez sur **OK/>** et suivez les instructions du message affiché.

DivX®, DivX Certified® et les logos associés sont des marques déposées de Rovi Corporation ou de ses filiales et leur utilisation nécessite une licence.

Détection de l'heure

L'utilisateur peut détecter l'heure des chaînes numériques en suivant les opérations ci-dessous.

1. Appuyez sur la touche **MENU** de la télécommande et sélectionnez **OPTIONS > Timer > Clock > Auto Synchronization**.
2. Appuyez sur **</>** pour sélectionner **On**.

Attribution d'un décodeur de chaînes

Les décodeurs qui décodent les chaînes analogiques peuvent être connectés au port AV. Définissez la chaîne de télévision comme une chaîne à décoder. Puis sélectionnez le port auquel le décodeur est relié.

1. Appuyez sur la touche **MENU** de la télécommande et sélectionnez **SETUP > Decode**.
2. Appuyez sur **OK/>** pour accéder à la liste.
3. Appuyez sur **▲/▼** pour sélectionner la chaîne à décoder.
4. Appuyez sur **OK** pour sélectionner ou désélectionner la chaîne.
5. Appuyez sur **BACK** pour revenir au menu précédent.

Diagnostique sur les chaînes numériques

1. Appuyez sur la touche **MENU** de la télécommande et sélectionnez **SETUP > Diagnostics**.
2. Appuyez sur **OK/>** pour afficher des informations sur le signal de la chaîne numérique actuelle : sa force, sa fréquence, etc.

Contrôle du direct

Pour choisir les modes pause, retour ou avance en cours de diffusion. Lors de la première utilisation de cette fonction, connectez d'abord une clé USB au téléviseur.

Remarque : les exigences locales rendent indisponible cette fonction pour la Finlande.

1. Appuyez sur la touche **MENU** de la télécommande et sélectionnez **SETUP > Time Shift**.
2. Appuyez sur **</>** pour sélectionner **On** et activer la fonction, puis appuyez sur **EXIT** pour fermer le menu.
3. Appuyez sur **OPTION** sur la télécommande et sélectionnez **Time Shift**, puis appuyez sur **OK** pour confirmer.
4. Suivez les instructions à l'écran pour effectuer la configuration.
5. Une fois la configuration effectuée, appuyez sur **OPTION** et sélectionnez **Time Shift**.
6. Appuyez sur **OK** pour afficher le menu.
 - Appuyez sur la touche **▶▶** pour mettre en pause et commencer le contrôle du direct.
 - Appuyez sur la touche **▶▶** pour lire la partie enregistrée.
 - Quand le menu disparaît et que seule la durée du différé reste affichée, vous pouvez appuyer sur la touche **▶▶** ou sur **OK** pour accéder de nouveau au menu.
 - Appuyez sur la touche **◀◀** pour un retour rapide ou sur la touche **▶▶** pour une avance rapide.
 - Appuyez sur la touche **■** pour quitter la fonction.

Remarques :

- Avant d'insérer la clé USB, assurez-vous d'avoir sauvegardé les données enregistrées dessus pour éviter de les perdre en cas de défaillance.
- Nous vous recommandons l'utilisation d'une clé USB avec un espace disque supérieur à 1 Go et une vitesse supérieure à 5Mo/sec.
- Plus la taille du fichier est importante plus le temps d'enregistrement est long.
- Si vous changez de chaîne en mode de contrôle du direct, un message vous invite à sélectionner **Yes** ou **No**. Vous pouvez sélectionner **Yes** pour quitter le mode de contrôle du direct et changer de chaîne.

Réinitialisation usine

Cette option vous permet de réinitialiser le téléviseur aux paramètres d'usine par défaut.

1. Appuyez sur la touche **MENU** de la

- télécommande et sélectionnez **SETUP**, puis appuyez sur **OK** pour confirmer.
2. Sélectionnez **Reset Shop** et appuyez **OK/>** pour entrer.
 3. Utilisez les touches numériques pour saisir le mot de passe.
 4. Appuyez sur **</>** pour sélectionner **OK** et appuyez **OK** pour confirmer.
 5. Le menu **Initial Setup** s'affiche. Suivez les instructions associées.

Personnalisation des paramètres d'entrée

Vous pouvez configurer votre téléviseur en fonction des appareils que vous y connectez (décodeur, lecteur Blu-Ray, ordinateur ou console de jeux).

1. Appuyez sur la touche **MENU** de la télécommande et sélectionnez **SETUP > Input Settings**.
2. Appuyez sur **OK/>** pour accéder au menu **Input Settings**.
3. Appuyez sur **^/v** pour sélectionner le port auquel est connecté votre appareil.
4. Appuyez sur **</>** pour sélectionner le type d'appareil connecté au port. Appuyez sur **</>** pour attribuer un nom à l'appareil connecté.
5. Appuyez sur **BACK** pour retourner au **SETUP**.

Après la configuration, le nom de la source sélectionnée s'affiche après le nom du connecteur concerné dans la liste des sources quand vous appuyez sur la touche **SOURCE** de la télécommande ou **OK** sur le téléviseur.

Utilisation du guide électronique des émissions

L'EPG est un guide à l'écran qui affiche les émissions de télévision programmées. Vous pouvez parcourir, sélectionner et afficher les émissions.

1. Appuyez sur **GUIDE** sur la télécommande. Le menu **Now and Next EPG** s'affiche. Il vous informe du programme télévisé en cours et à venir pour chaque chaîne. Parcourez les différents programmes à l'aide des touches de navigation de la télécommande.
2. Utilisez les touches de couleur pour afficher les programmes à 8 jours en appuyant sur **8 Days EPG**.

- **Prev Day** (rouge): programme de la veille.
- **Next Day** (vert): programme du lendemain.
- **View Detail** (jaune): détails du programme en cours, si disponible.
- **Type Filter** (bleu): filtre pour les programmes de télévision numérique.
- Appuyez sur le bouton bleu pour afficher la liste des types et des sous-types des programmes.
- Parcourez les différents types et sous-types au moyen des touches de navigation de la télécommande.
- Sélectionnez un ou plusieurs types que vous voulez mettre en évidence dans la liste, appuyez sur **OK** pour sélectionner (ou désélectionner). Une marque apparaîtra à gauche du type sélectionné. Lorsque vous sélectionnez un type, l'ensemble de ses sous-types est sélectionné en conséquence.
- Vous pouvez aussi sélectionner certains sous-types sans avoir sélectionné de type.
- Appuyez sur le bouton bleu pour quitter la liste des types et sous-types.
- Après le filtrage, l'ensemble des programmes de TV numérique de votre choix sera mis en évidence.
- **Add Schedule** (option): appuyez sur la touche **OPTION** de la télécommande pour afficher le menu **Schedule List**. Pour plus d'information sur l'enregistrement programmé, reportez-vous à la section **Schedule List**.
- 3. Appuyez sur **GUIDE/EXIT** pour quitter le guide EPG et passer sur la chaîne sélectionnée.

PVR (Personal Video Record) (Enregistrement Vidéo Personnel)

Pour enregistrer vos émissions préférées.

Avant d'utiliser cette fonction, branchez une clé USB à l'appareil.

Remarque : les exigences locales rendent indisponible cette fonction pour la Finlande.

1. Appuyez sur la touche **OPTION** de la télécommande et sélectionnez **QUICK ACCESS > PVR**.
2. Appuyez sur **OK/>** pour entrer. **Raccourci** : appuyez sur la touche **REC** de la télécommande pour accéder directement au menu PVR.
3. Appuyez sur :
 - la touche **REC** pour commencer

l'enregistrement, le fichier d'enregistrement est placé dans un fichier PVR dans **MEDIA > VIDEO** ;

- la touche **■** pour arrêter manuellement l'enregistrement ; lorsque la durée d'enregistrement est atteinte, l'enregistrement s'arrête automatiquement.
- **▲/▼/◀/▶** pour définir la durée d'enregistrement.
- 4. Pendant l'enregistrement, une petite barre de progression s'affiche et indique l'état d'avancement de l'enregistrement.
- 5. Pour regarder le programme enregistré, quittez le mode PVR d'abord et allez à **MEDIA > VIDEO**. Sélectionnez le dossier PVR, puis sélectionnez le fichier d'enregistrement correspondant. Appuyez sur **OK** pour lire. (La procédure est la même que pour l'enregistrement radio numérique).

Remarques :

- *Lorsqu'un module CI+ est utilisé, la fonction PVR sera désactivée.*
- *Disponible uniquement pour les chaînes numériques.*
- *Ne prend en charge qu'un dispositif de stockage USB de format FAT32.*
- *Avant d'insérer le dispositif USB dans sur le téléviseur, assurez-vous d'avoir sauvegardé les données enregistrées sur ce dispositif pour éviter de les perdre en cas de défaillance.*
- *Plus la taille de la mémoire du dispositif USB est importante, plus le temps d'enregistrement est long.*
- *Sauvegardez les données enregistrées avant de changer de chaîne ou de source d'enregistrement.*
- *Le téléviseur ne peut pas lire un fichier normalement si les paramètres du fichier dépassent les limites du système, le format du fichier n'est pas pris en charge, le fichier est endommagé ou ne peut être décodé.*
- *Ne retirez pas le dispositif USB lorsque le système est en train de lire un fichier ou de transmettre des données : le système ou le téléviseur risquent d'être endommagés.*

Liste de programmation

Cette fonction est utilisée pour l'enregistrement programmé d'émissions.

1. Appuyez sur la touche **OPTION** de la télécommande et sélectionnez **QUICK**

ACCESS > Schedule List.

2. Appuyez sur **OK** pour afficher **Schedule List**.
3. Pour ajouter un élément dans votre liste de programmation, appuyez d'abord sur le bouton rouge pour afficher **Schedule List**. Puis :
 - **Channel Number** : utilisez les touches **</>** pour sélectionner un numéro de chaîne.
 - **Start Date** : utilisez les touches numériques pour saisir la date d'enregistrement.
 - **Start Time** : pour régler l'heure de début d'enregistrement.
 - **Stop Time** : pour régler l'heure de fin d'enregistrement.
 - **Schedule Type** : type de programmation
 - Réglez **Reminder** pour vous avertir que vous pouvez passer au programme choisi lorsque l'heure que vous avez réglée est atteinte. Si le temps s'est écoulé et que vous n'avez exécuté aucune opération, la boîte de dialogue disparaîtra et aucune nouvelle opération ne sera exécutée.
 - Réglez **Record** pour vérifier si vous voulez vraiment démarrer votre enregistrement programmé lorsque l'heure réglée est atteinte. Si le temps s'est écoulé et que vous n'avez exécuté aucune opération, l'enregistrement programmé démarrera automatiquement.
 - **Repeat Type**: réglez un mode de répétition d'enregistrement différent.
4. Appuyez sur **▲/▼/◀/▶** pour sélectionner **Add** et appuyez sur **OK** pour ajouter la programmation réglée dans votre liste de programmation.
5. Appuyez sur le bouton rouge pour répéter la procédure ci-dessus et ajouter une nouvelle programmation.
6. Si vous désirez modifier ou effacer une programmation, sélectionnez-la et appuyez sur **OK** pour entrer.
7. Appuyez sur **EXIT** pour fermer le menu.

Connexion Internet

Vous pouvez régler le téléviseur pour accéder à Internet via votre réseau local (LAN) grâce à une connexion filaire ou sans fil.

Connexion à un réseau filaire

Vous pouvez raccorder le téléviseur au réseau local (LAN) à l'aide de câbles selon 3 modes différents :

- En raccordant le port LAN du téléviseur à un modem externe à l'aide d'un câble Cat 5.
- En raccordant le port LAN du téléviseur à un IP Sharer, connecté à un modem externe. Utilisez un câble Cat 5 pour le raccordement.
- Suivant la configuration de votre réseau, vous pourrez raccorder le port LAN du téléviseur directement à une prise réseau murale à l'aide d'un câble Cat 5. Notez que la prise murale est raccordée à un modem ou un routeur à un autre endroit dans la maison.

Sélectionnez **SETUP > Network > Settings > Interface** puis sélectionnez **Ethernet** pour raccorder à un réseau filaire.

Connexion à un réseau sans fil

Pour raccorder le téléviseur à un réseau sans fil, vous avez besoin d'un routeur ou d'un modem sans fil, et d'un adaptateur Wi-Fi à acheter séparément. Raccordez l'adaptateur Wi-Fi au port **USB1** du téléviseur.

1. Sélectionnez **SETUP > Network > Settings > Interface** puis sélectionnez **Wireless** pour effectuer la connexion au réseau sans fil.
2. Sélectionnez **Wireless Setting** et appuyez sur **OK/>** pour entrer.
3. **Connection Methods** : vous pouvez effectuer la connexion au réseau sans fil de 3 manières différentes :
 - **Scan**
 - Sélectionnez **Wireless Setting > Scan** et appuyez sur **OK/>** : le téléviseur scanne tous les points d'accès disponibles. Ces points d'accès s'affichent.
 - Sélectionnez un point d'accès et appuyez sur **OK/>** pour effectuer la connexion du téléviseur.

Remarque :

- Si vous sélectionnez un point d'accès protégé, il vous faudra saisir le mot de passe correspondant. Appuyez sur la touche **OK** de la télécommande pour afficher le clavier virtuel à partir duquel vous saisissez le mot de passe.
- Le téléviseur dispose d'une mémoire des

points d'accès disponibles, qui lui permet de rester connecté au réseau même si vous l'allumez après une mise hors tension.

- **Manual**
Sélectionnez **Wireless Setting > Manual** et appuyez sur **OK/>** ; vous êtes invité à saisir le code SSID d'un routeur sans fil disponible pour effectuer la connexion.
- **Auto**
Si votre point d'accès peut prendre en charge le WPS (Wi-Fi Protected Setup), la connexion au réseau peut se faire via le PIN (Personal Identification Number) ou la PBC (Push Button Configuration). Le WPS configure automatiquement le SSID et la clé WPA dans les deux modes. Sélectionnez **Wireless Setting > Auto** et appuyez sur **OK/>** pour entrer.
 - **PIN** : sélectionnez **PIN** et appuyez sur **OK/>** pour entrer. Créez un code PIN au hasard. Assurez-vous que ce code est bien installé sur le point d'accès. (Reportez-vous au manuel du routeur pour les procédures à suivre.) Appuyez de nouveau sur **OK/>** pour effectuer la connexion.
 - **PBC** : si votre routeur dispose d'un bouton PBC, sélectionnez **PBC** et appuyez sur **OK/>** pour entrer. Appuyez sur le bouton PBC du routeur dans les 2 minutes après avoir ré-appuyé sur **OK/>**. Le téléviseur enregistre toutes les valeurs de réglage nécessaires et se connecte au réseau.

Configuration réseau

1. Appuyez sur la touche **MENU** de la télécommande et sélectionnez **SETUP > Network > Settings > Internet Connection**. Appuyez sur **</>** pour sélectionner **On**. Attendez que la connexion s'établisse automatiquement.
2. Sélectionnez **SETUP > Network > Settings > Connection Test** et appuyez sur **OK/>** pour vérifier la possibilité de connexion à Internet. En cas d'échec, suivez les étapes ci-dessous pour vous assurer que la connexion est possible.
3. Sélectionnez **SETUP > Network > Settings > IP Setting** et appuyez sur **OK/>** pour accéder au menu **IP Setting**.
 - Réglez **Address Type** sur **Auto**, pour la

récupération et la saisie automatique de l'adresse IP requise.

- Suivez les étapes ci-dessous pour saisir manuellement votre adresse IP.
 - Réglez **Address Type** sur **Manual** et appuyez sur **V** pour accéder au premier champ de saisie.
 - Saisissez les valeurs pour **IP Address**, **Subnet Mask**, **Default Gateway**, **Primary DNS** et **Secondary DNS**. Utilisez les touches numériques pour saisir les chiffres et les flèches pour passer d'un champ à l'autre.
 - Après la configuration, sélectionnez **Setup > Network > Settings > Connection test** pour vérifier de nouveau la possibilité de connexion à Internet.
4. Sélectionnez **SETUP > Network > Settings > Information** et appuyez sur **OK/>** pour afficher les informations relatives à la connexion en cours : interface, type d'adresse, adresse IP, etc.

Parcourir des fichiers sur ordinateur via Share & See

Les images, vidéos et sons stockés sur un ordinateur connecté au réseau domestique peuvent être vus et écoutés sur le téléviseur.

Connexion à l'ordinateur

Veillez tout d'abord à ce que la TV dispose d'une connexion filaire ou sans fil au routeur. Connectez ensuite votre ordinateur au routeur par le réseau câblé ou sans fil. Veillez aussi à ce que **SETUP > Network > Settings > Internet Connection** soit paramétré sur **On** et que le firmware de votre ordinateur n'empêche pas la connexion.

Activation fonction Share & See

Sélectionnez **SETUP > Network > Applications > Share & See** et paramétrez sur **On**.

Suivez dans l'ordre les étapes détaillées ci-dessous.

Ajouter un média de votre ordinateur pour partage

Installez un serveur de partage sur l'ordinateur, le plus simple et le plus familier étant Microsoft Windows Media Player 11.

Autorisez le téléviseur à partager les fichiers sélectionnés de votre ordinateur PC.

1. Ouvrez Microsoft Windows Media Player 11.
 - Sélectionnez **Library > Media sharing**.
 - Cochez la case **Share my media to**.
 - Sélectionnez l'icône du téléviseur connecté à votre ordinateur.
 - Sélectionnez **Allow** pour permettre au téléviseur d'accéder à votre ordinateur puis sélectionnez **OK** pour confirmer.
- Remarque : utilisez la touche **Settings** pour personnaliser vos réglages.*
2.
 - Sélectionnez **Library > Add to Library**.
 - Sélectionnez vos dossiers ou les dossiers d'autres utilisateurs auxquels vous avez accès et que vous pouvez partager.
 - Sélectionnez **Add** et appuyez sur **OK** pour autoriser les ajouts.

Fonction Share & See

Sélectionnez **MEDIA** dans le menu principal et appuyez sur **OK** pour accéder au centre de média. Vous pouvez alors voir les photos, écouter les fichiers audio et regarder les vidéos stockés sur votre ordinateur.

Télévision connectée

Vous permet de profiter d'applications Internet (Apps), des sites Internet adaptés à la télévision. Utilisez la télécommande du téléviseur pour commander ces applications.

ATTENTION :

- Configurez les options du réseau avant d'utiliser la télévision connectée **Smart TV**.
- Suivant les conditions du réseau, il peut se produire des lenteurs ou des interruptions.
- En cas de problème lors de l'utilisation d'une application, veuillez contacter le fournisseur du contenu.
- Le fournisseur du contenu peut décider de mettre fin à la mise à jour d'une application ou à l'application elle-même.
- La réglementation locale peut entraîner la restriction ou la non prise en charge de certaines applications.

Accès aux applications (Apps) de la télévision connectée

1. Sélectionnez **SMART TV** dans le menu principal et appuyez sur **OK** pour afficher la page d'accueil de la télévision connectée.

Raccourci : appuyez sur la touche **SMART TV** de la télécommande pour afficher directement la page d'accueil de la télévision connectée.

1. Utilisez les touches **^/V/</>** pour sélectionner une App et appuyez sur **OK** pour entrer.

HbbTV

Certains diffuseurs de chaînes numériques offrent des services interactifs via HbbTV (Hybrid Broadcast Broadband TV). Avec la HbbTV, les diffuseurs combinent leurs programmes courants avec toutes sortes d'informations et divertissements. Ces données sont consultables de manière interactive.

Pour utiliser la HbbTV, votre TV doit être connectée à Internet.

Remarque : cette fonction ne vous permet pas de télécharger des fichiers sur votre TV.

Accès à la HbbTV

Quand vous choisissez une chaîne de TV qui propose la HbbTV, appuyez sur le bouton rouge pour ouvrir les pages interactives. Puis utilisez les touches **^/V/</>** pour consulter les pages de la HbbTV et appuyez sur **OK** pour confirmer.

Information sur les codes destinés à la fonction de contrôle parental :

- Code par défaut : 1234. Vous pouvez changer ce code.
- Super code : 0423. En cas d'oubli de votre code, saisissez le super code pour passer outre tout code existant.

Résolution écran :

- 1920X1080

Contactez IKEA

Pour toute question concernant votre téléviseur UPPEVA ou son système audio, pour toute demande de service, ou pour toute aide, contactez le Service clientèle IKEA en magasin ou rendez-vous sur www.IKEA.fr.

Pour que nous puissions vous aider au mieux, veuillez lire attentivement le présent manuel avant de nous contacter. Préparez le numéro d'article, un numéro à 8 chiffres que vous trouverez sur votre ticket de caisse ou au dos du téléviseur UPPEVA ou du système audio.

Belangrijke informatie
Veiligheid

Zorg ervoor dat de spanning van uw elektriciteitsnet overeenkomt met de spanning aangegeven op de identificatiesticker aan de achterzijde van uw TV. Wanneer er een stekker of apparaatkoppeling gebruikt wordt als onderbrekingsmechanisme, dan zal het onderbrekingsmechanisme gebruikersklaar blijven.

Op bepaalde modellen bevindt het indicatielampje zich aan de zijkant van de TV. Wanneer het indicatielampje aan de voorzijde uit is, dan betekent dat niet dat de TV volledig ontkoppeld is van het elektriciteitsnet. Om de TV helemaal te ontkoppelen, moet de stekker er uit getrokken worden.




De onderdelen van de TV zijn hittegevoelig. De **maximale omgevingstemperatuur** mag niet hoger dan 35° Celsius zijn. Dek de luchtgaten aan de achterzijde of zijkanten van de TV niet af. Laat voldoende ruimte rondom de TV vrij voor een goede ventilatie. Plaats het apparaat uit de buurt van hittebronnen (open haarden, ...) of apparaten die sterke magnetische of elektronische velden produceren.

Vocht in kamers waar de set geïnstalleerd wordt, mag niet hoger zijn dan 85%. **Het apparaat mag niet blootgesteld worden aan drup- of spatwater en er mogen geen voorwerpen gevuld met vloeistof**, zoals vazen e.d., op het apparaat gezet worden. Het verplaatsen van de TV vanuit een koude naar een warme ruimte kan condensvorming op het scherm (en op sommige onderdelen in de TV) veroorzaken. Laat de condens verdampen voordat u de TV weer inschakelt.



WAARSCHUWING

Open vuur zoals kaarsen uit de buurt van dit product houden om brandgevaar te voorkomen.

De  of **POWER**/ knop op de TV of de  -toets op de afstandsbediening kan worden

gebruikt om het in te schakelen en in de standby-modus te schakelen. Als u voor **langere tijd niet naar de TV gaat kijken**, schakel het dan helemaal uit door de stekker uit het stopcontact te halen.

Wij raden u aan om tijdens **onweersbuien** de stekker uit het stopcontact te halen (ook van de antenne) zodat de tv niet beïnvloed wordt door elektrische of elektromagnetische pieken die schade kunnen aanrichten. Dit is de reden om **stopcontacten en antenne-aansluitingen** toegankelijk te houden zodat ze **ontkoppeld kunnen worden**, indien noodzakelijk.

Haal de stekker onmiddellijk uit het stopcontact zodra u een **brandgeur** of **rook ruikt**. U mag nooit, in welke omstandigheden dan ook de TV zelf openen, omdat u het risico op een **elektrische schok** loopt wanneer u dat doet.

TV-scherm

Het TV-scherm gebruikt in dit product is van glas gemaakt. Het kan daarom breken wanneer u het product laat vallen of klappen laat opvangen van andere voorwerpen.

Het TV-scherm is een product met een zeer geavanceerde technologie en levert een uiterst gedetailleerde weergave. Soms kunnen enkele inactieve pixels op het scherm verschijnen als een vast blauw, groen of rood puntje. Dit zal de prestatie van uw product echter niet aantasten.

Schoonmaken

Gebruik een glasreiniger om het scherm en een zachte doek en mild schoonmaakmiddel om de rest van de TV schoon te maken.

Belangrijk: Het gebruik van sterke schoonmaakmiddelen, op alcohol gebaseerde en schurende producten kunnen het scherm beschadigen.

Stof de ventilatioerooster aan de achterkant en zijkanten regelmatig af. Oplosmiddelen, schurende of op alcohol gebaseerde producten kunnen uw TV beschadigen. Als er een voorwerp of vloeistof in het apparaat dringt, haal dan onmiddellijk de stekker uit het stopcontact en laat het nakijken door een geautoriseerde reparateur. Open het

apparaat nooit zelf aangezien u gevaar kunt lopen of het apparaat kunt beschadigen.

De TV ophangen aan de muur

Waarschuwing: hier zijn twee mensen voor nodig.

Om voor een veilige installatie te zorgen, neem de volgende veiligheidsaanwijzingen in acht:

- Controleer of de muur het gewicht van de TV en de muursteen kan dragen.
- Volg de bevestigingsaanwijzingen op die meegeleverd zijn bij de muursteen. U dient voor sommige modellen de zeskantige VESA-muurmontage schroefnaven (en schroeven), meegeleverd met de set, in de moeren voor de muursteen achterop uw set te schroeven voordat u de steun op de muur bevestigt.
- De TV moet tegen een verticale muur gehangen worden.
- Gebruik alleen schroeven die geschikt zijn voor het materiaal van de muur.
- Zorg ervoor dat de TV-kabels zodanig gelegd zijn dat er geen struikelgevaar is.

Alle overige veiligheidsaanwijzingen m.b.t. tot onze TV's zijn ook hier van toepassing.

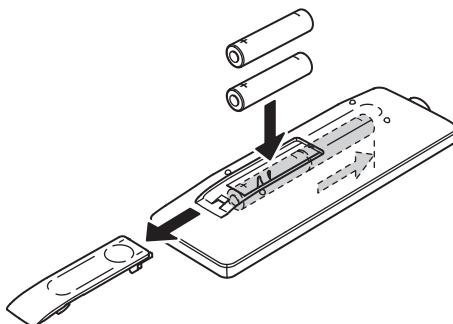
De TV op een tafel neerzetten

Voordat u uw TV opstelt, controleer of het oppervlak waar u de TV op wilt plaatsen het gewicht aan kan.

Plaats ze niet op een instabiel oppervlak (bijvoorbeeld, een bewegende plank, de uiterste rand van een apparaat) en controleer of de voorzijde van de TV niet over het oppervlak hangt waar het op rust.

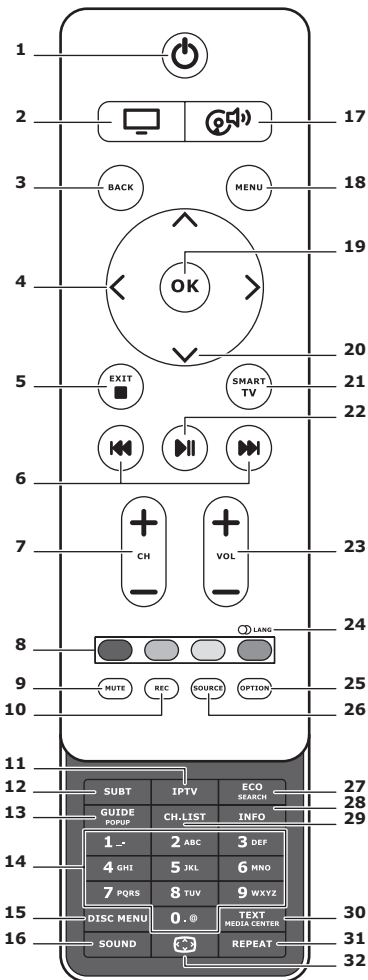


Dit product is ontworpen en vervaardigd met materialen en componenten van de hoogste kwaliteit, die gerecycled en hergebruikt kunnen worden. Dit symbool betekent dat elektrische en elektronische apparatuur, aan het einde van hun levensduur, gescheiden van uw huishoudelijk afval weggeworpen moeten worden om mogelijke negatieve gevolgen voor het milieu en de gezondheid van de mens te voorkomen. Lever deze apparatuur bij uw plaatselijke afval inzamelpunt/recyclingcentrum in. In de Europese Unie en andere Europese landen zijn er aparte inzamelsystemen voor gebruikte elektrische en elektronische producten. Help ons om het milieu waarin wij leven, te behouden!



Functies van de afstandsbediening

De meeste van uw TV-functies zijn via de menu's beschikbaar die op het scherm verschijnen. De afstandsbediening die met uw TV meegeleverd is, kan worden gebruikt om door de menu's te navigeren en de algemene instellingen te configureren.



1. Standby/standby beëindigen.
2. Om de afstandsbediening voor TV-gebruik te schakelen.
3. **BACK**
Om naar het vorige menu terug te keren.
Om naar het vorige kanaal terug te keren.
4. **<>**
Om in de menu's te navigeren.
Om functies in te stellen en waarden te wijzigen. **>** kan ook worden gebruikt om het bijbehorende submenu te openen.
5. **EXIT/■**
Om de menustructuur of teletekst af te sluiten; om met bepaalde functies te stoppen.
6. **⏮ ⏭**
Om snel vooruit of achteruit te spoelen (in mediafuncties indrukken en ingedrukt houden) en om naar de vorige of volgende foto, lied of video te verplaatsen.
7. **CH+/-**
Om van kanaal te veranderen.
8. **Kleurtoetsen**
Taken of Teletekstpagina's selecteren. U kunt de rode toets ook gebruiken voor de MHEG-functie.
9. **MUTE**
Om het geluid uit en weer in te schakelen.

10. REC

Om het programma op te nemen.

11. IPTV

Geen functie.

12. SUBT

Om een ondertitelingstaal te selecteren die beschikbaar is voor het geselecteerde digitale TV-programma.

13. GUIDE

Om de Elektronische Programmagids in of uit te schakelen (alleen voor digitale kanalen).

14. 0-9

Om kanaalnummers in te voeren.
Om in sommige functies een letter, een cijfer of een symbool in te voeren.

15. DISK MENU

Geen functie.

16. SOUND

Selecteer een vooraf ingestelde geluidsmodus.

17. 

Om de afstandsbediening voor gebruik van het geluidssysteem te schakelen.

18. MENU

Om het hoofdmenu te openen.
Om het virtuele toetsenbord in de slimme TV-functie te openen/sluiten.

19. OK

Om een invoer of selectie te bevestigen.
Om de afbeelding in de digitale TV-modus te bevriezen/ontdooien.

20.  

Om in de menu's te navigeren.
Om menuopties te selecteren.

21. SMART TV

Om de startpagina van Smart TV weer te geven.

22. 

Om af te spelen/pauzeren.

23. VOL+/-

Om het volume te regelen.

24.  LANG

Om een beschikbaar geluidstype voor geselecteerde analoge TV-programma's te selecteren.
Om een beschikbare audiotaal voor geselecteerde digitale TV-programma's te selecteren.

25. OPTION

Om het functiemenu weer te geven. Om bepaalde bewerkingen uit te voeren. Om de teletekstpagina in verschillende modi weer te geven.

26. SOURCE

Om de aangesloten apparaten te selecteren.

27. ECO

Om de gewenste energiebesparingsmodus te selecteren.

28. INFO

Om programma-informatie te tonen, indien beschikbaar.

29. CH.LIST

Om de kanaallijst weer te geven.

30. TEXT/MEDIA CENTER

Om teletekst in of uit te schakelen.

31. REPEAT

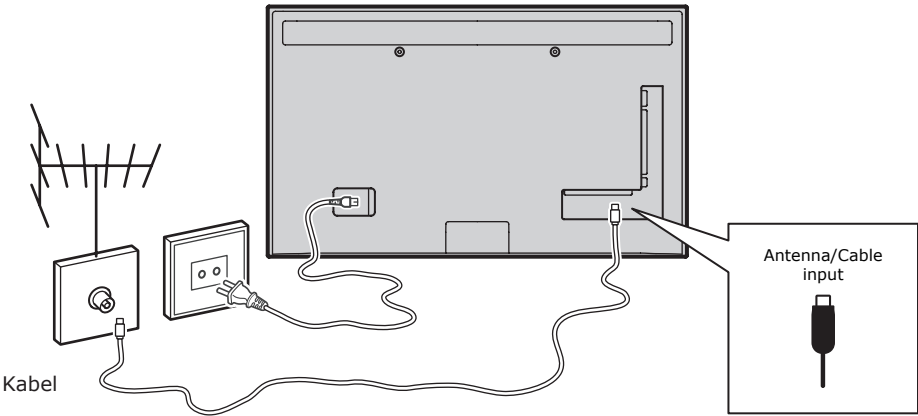
Geen functie.

32. 

Om het beeldformaat te selecteren.
Opmerking: Wij raden u aan om de volledige schermmodus te gebruiken. Gebruik niet de weergavemodus met zwarte balken aan beide zijden van het beeld (zoals 4:3) voor een langere tijdsperiode; Dit kan tot blijvende schade aan het TV-scherm leiden.

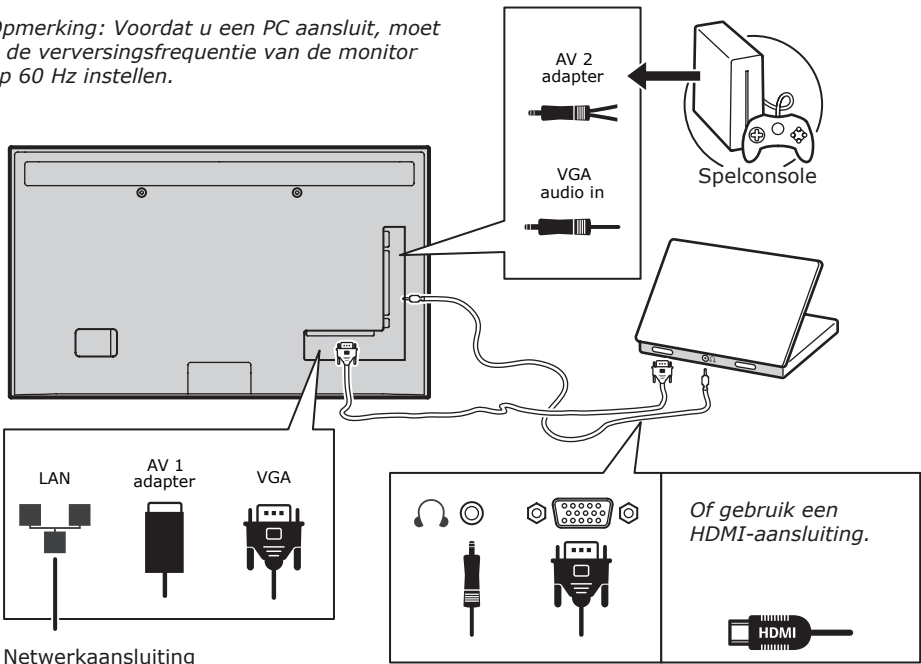
Stop de stekker in het stopcontact en sluit de antenne aan

Om na het aansluiten van het netsnoer de TV in te schakelen, druk op "⏻" of "POWER/⏻".
*Opmerking: De locatie van de voedingsaansluiting is afhankelijk van het TV-model.
 Op sommige modellen moet u eerst de schakelaar inschakelen.*

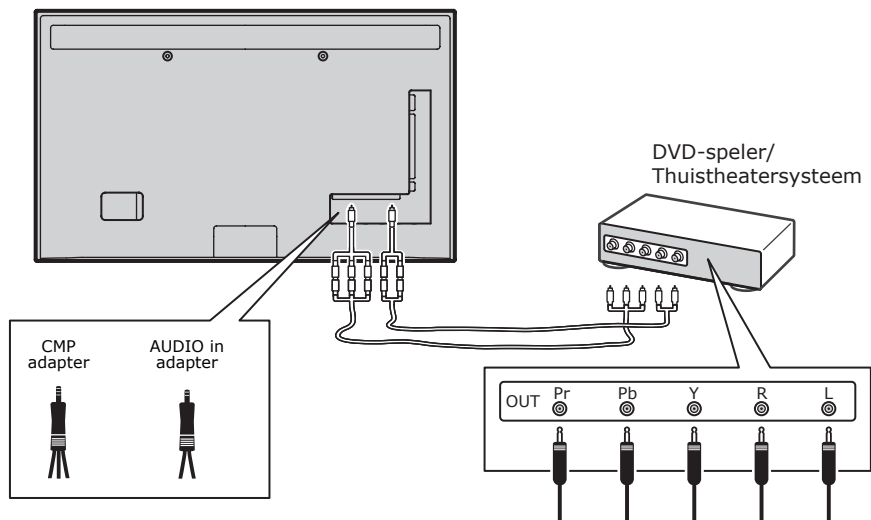


Spelconsole, PC

Opmerking: Voordat u een PC aansluit, moet u de verversingsfrequentie van de monitor op 60 Hz instellen.



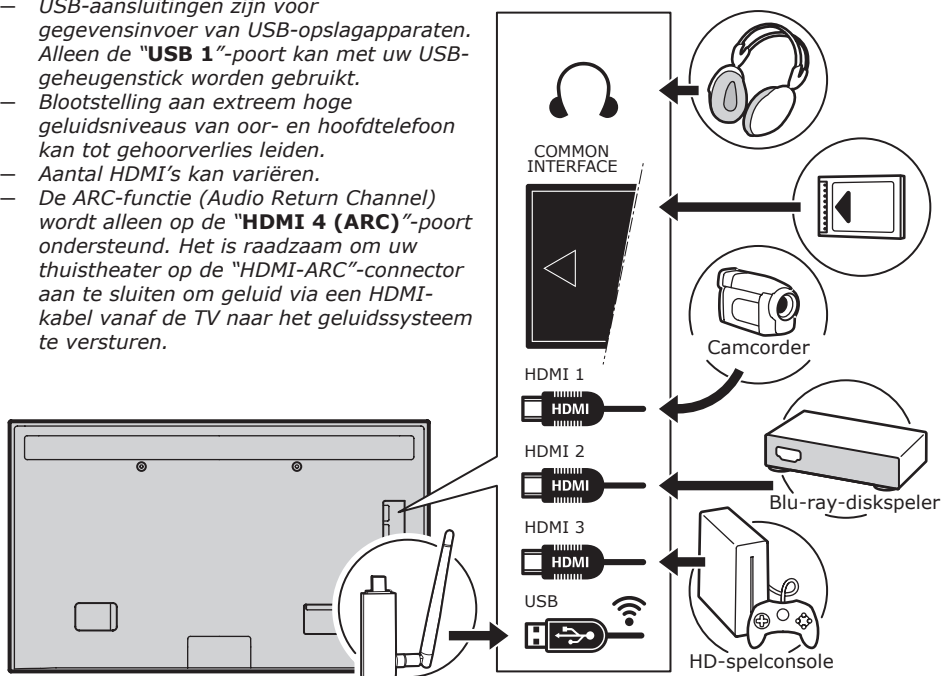
DVD-speler, thuistheatersysteem



Blu-ray diskspeler, oortelefoon, HD spelconsole & HD camcorder

Opmerkingen:

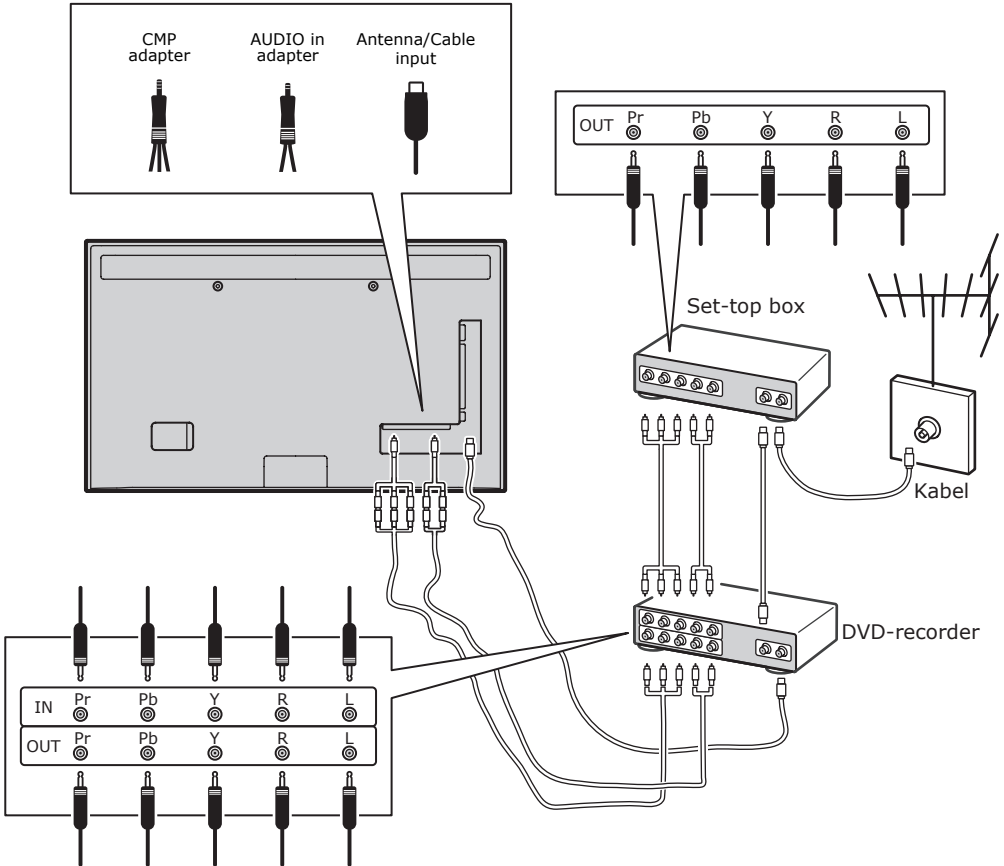
- USB-aansluitingen zijn voor gegevensinvoer van USB-opslagapparaten. Alleen de "USB 1"-poort kan met uw USB-geheugenstick worden gebruikt.
- Blootstelling aan extreem hoge geluidsniveaus van oor- en hoofdtelefoon kan tot gehoorverlies leiden.
- Aantal HDMI's kan variëren.
- De ARC-functie (Audio Return Channel) wordt alleen op de "HDMI 4 (ARC)"-poort ondersteund. Het is raadzaam om uw thuistheater op de "HDMI-ARC"-connector aan te sluiten om geluid via een HDMI-kabel vanaf de TV naar het geluidssysteem te versturen.



DVD-speler, kabelbox

Opmerking:

Verwijder het netsnoer voordat u apparaten aansluit.




Opmerkingen:


- *Deze illustraties zijn alleen ter referentie. Uw model kan in uiterlijk verschillen of niet alle afgebeelde aansluitingen bevatten.*
- *De locatie van de voedingsaansluiting kan afhankelijk van het TV-model verschillen.*
- *De locatie en namen van de functieknoppen en aansluitingen kunnen afhankelijk van het TV-model verschillen.*

Belangrijk:

Als de afstandsbediening voor een lange periode niet gebruikt wordt, verwijder de batterijen en bewaar ze correct. Behandel beschadigde of lekkende batterijen voorzichtig. Als uw afstandsbediening twee batterijen heeft, meng geen nieuwe en oude batterijen. De batterijen moeten niet aan overmatige hitte, zoals zonlicht, vuur en dergelijke worden blootgesteld. Explosiegevaar indien de batterij verkeerd wordt geplaatst. Vervang alleen door het hetzelfde of gelijkwaardig type dat door de fabrikant aanbevolen wordt. Werp gebruikte batterijen volgens de instructies van de fabrikant weg. Raadpleeg de voorschriften van uw lokale recycling of afvalverwerking en neem contact op met een lokaal afvalverwerkingsbedrijf voor de verwijdering van gebruikte batterijen. Als de batterijen in de afstandsbediening leeg zijn, kunt u de knoppen op uw TV gebruiken. In de TV-modus hebben ze dezelfde functies als de corresponderende toetsen op de afstandsbediening (niet al hun functies zijn hetzelfde). In de menu's hebben zij de volgende functies:

CH 	
CH 	
VOL 	
VOL 	
MENU 	MENU
OK 	OK

De TV in/uitschakelen

1. Wanneer u de TV inschakelt, wordt het toestel of direct ingeschakeld of op stand-by modus gezet. Druk in stand-by modus op de  of **POWER/**  toets op de TV of de  op de afstandsbediening om de TV in te schakelen.
2. Druk op de  of **POWER/**  toets op de TV of de  op de afstandsbediening om de TV op stand-by te zetten. De TV blijft vervolgens ingeschakeld, echter met een zeer laag energieverbruik.
3. U kunt de TV uitschakelen door de stekker uit het stopcontact te halen.
(*Bij bepaalde modellen, moet u eerst de stroom inschakelen.)

Voor het eerst instellen

Wanneer u de TV voor het eerst instelt, moet u alle instellingen selecteren die vereist zijn om alle Analoge en digitale kanalen die u kunt ontvangen te kunnen opzoeken en opslaan.

Zorg ervoor dat de televisie is ingeschakeld en volg alle stappen die hieronder worden aangegeven stap voor stap op.

Opmerking: Als de gevonden kanalen na de kanaalscan alleen analoog zijn, kan dit liggen aan een zwakke uitzending, dit wordt dus niet door de garantie van de fabrikant gedekt. Fabrikanten kunnen niet aansprakelijk worden gesteld voor een zwakke of geen uitzending in bepaalde gebieden.

De eerste keer dat u het toestel inschakelt, wordt de **Initial Setup** (Eerste Instelling)-wizard geopend, die leidt u door het eerste instellingsproces. (Zie afbeelding 1.) Druk op **OK** om met de eerste instellingen te starten.

1. Druk op **^/V** om uw taal te selecteren, druk vervolgens op **OK/>** om naar de volgende stap te gaan.

2. Druk op **^/V** om uw land te selecteren, druk vervolgens op **OK/>** om naar de volgende stap te gaan.

*Opmerking: Als u **France** (Frankrijk) selecteert, zult u het **Password Setting** (Wachtwoordinstelling) menu moeten openen om een wachtwoord in te stellen.*

Gebruik de cijfertoetsen om een viercijferig nummer voor uw wachtwoord in te voeren. (0000 is te eenvoudig om als uw wachtwoord in te stellen.)

*Voer dezelfde code opnieuw in om het wachtwoord te bevestigen. Daarna zult u automatisch de volgende stap binnengaan. (In deze stap, kunt u alleen op **BACK** drukken om naar de vorige stap terug te keren.)*

3. Druk op **^/V** om uw tuner-modus **Antenna** (Antenne) of **Cable** (Kabel) te kiezen te **Satellite** (Satelliet).
(Opmerking: Bij sommige modellen is deze optie mogelijk niet beschikbaar.)

– Selecteer **Antenna** (Antenne).

• Druk op **OK/>** om te openen.

• Selecteer **Digital & Analogue** (Digitaal & Analoog), **Digital** (Digitaal) of **Analogue** (Analoog), druk daarna op **OK/>**.

• Druk op **^/V** om **Scan** (Scannen)

te selecteren, druk daarna op **OK/>>** om het automatisch zoeken naar alle DVB-T digitale en/of analoge kanalen te starten.

- Selecteer **Cable** (Kabel).
- Druk op **OK/>>** om te openen.
- Selecteer **Digital & Analogue** (Digitaal & Analogue), **Digital** (Digitaal) of **Analogue** (Analoog), druk daarna op **OK/>>**.
- Druk op **▲/▼** om **Scan** (Scannen) te selecteren, druk vervolgens op **OK/>>** om directe uw eerste instellingen te starten of ga naar de stap hieronder.
- Selecteer indien beschikbaar **Full** (Volledig) om te zoeken en sla alle DVB-C digitale en analoge kanalen op.
- U kunt indien beschikbaar een andere geavanceerde scanmodus selecteren (bijv. **Advanced** (Voorwaarts)) en vervolgens de kabelinformatie configureren zoals hieronder beschreven. Gebruik de cijfertoetsen om de waarden aan te passen voor de frequentie, symboolsnelheid en netwerk ID; gebruik **</>** om een modulatiemodus te selecteren.
- Druk op **OK** om met de eerste instellingen met betrekking tot alle DVB-C digitale en analoge kanalen te starten.
- *Opmerking: Voor sommige modellen is deze optie niet beschikbaar.*
- Selecteer **Satellite** (Satelliet).
- Druk op **OK/>>** om te openen.
- Druk op **▲/▼** om **Scan** (Scan) te selecteren en druk vervolgens op **OK/>>** om de volgende stap te openen en de juiste informatie te configureren m.b.t. satelliet en antenne.
- Druk op **OK** om de aanvankelijke instellingen te starten m.b.t. alle satellietkanalen.

Opmerking: Wacht op de melding dat het instellen voltooid is om te voorkomen dat het instellen van de kanalen wordt onderbroken.

4. Voordat u de scan start, kunt u ook **Skip Scan** (Scan Overslaan) selecteren om het aanvankelijke instellingsproces over te slaan.

5. Tijdens het instellen kunt u de aanwijzingen onderaan het scherm opvolgen om terug te keren naar de vorige stap door op **BACK** te drukken. U kunt ook op **EXIT** drukken om af te sluiten of het zoeken te onderbreken.
6. Zodra het automatisch zoeken eindigt, volgt de volgende stap van de instelling automatisch. Druk op **▲/▼** om uw locatie **Shop** (Winkel) of op **Home** (Thuis). Druk op **OK/>>** om uw keuze te bevestigen en de laatste stap uit te voeren.
7.
 - In deze stap kunt u op **OK** drukken om de eerste instellingen te verlaten. De kanalen worden in de preset-volgorde ingesteld. Om kanalen over te slaan kunt u de preset-volgorde of namen van kanalen wijzigen door **SETUP > Organiser** (Instelling > Organiseer) te selecteren en op **OK/>>** te drukken.
 - In deze stap kunt u ook op **BACK** drukken om terug te gaan naar de vorige stap.

Het automatisch instellen van de kanalen

Deze sectie beschrijft hoe de kanalen automatisch te zoeken en op te slaan. De aanwijzingen gelden voor zowel analoge als digitale kanalen.

1. Druk op **MENU** op de afstandsbediening en selecteer **SETUP > Language > Menu Language** (Instelling > Taal > Menukaart Taal). Druk op **</>** om uw menutaal te selecteren.
2. Druk op **BACK** om naar **SETUP** (Instelling) terug te keren, druk op **▲/▼** om **Country** (Land) te selecteren, druk vervolgens op **</>** om uw land te selecteren. De TV stelt kanalen in en ordent deze aan de hand van uw land.
3. Druk op **▲/▼** om de **Tuner Mode** (Tunermodus) te selecteren, druk vervolgens op **</>** om **Antenna** (Antenne), **Cable** (Kabel) of **Satellite** (Satelliet) te selecteren.
(Bij sommige modellen is deze optie mogelijk niet beschikbaar.)
 - Selecteer **Antenna** (Antenne).
 - Gebruik **▲/▼** om **Channel Install** (Kanaal Installeren) te selecteren en druk vervolgens op **OK/>>** om te

- openen.
- Selecteer **Automatic Search** (Automatisch Zoeken) (Zie Figuur 2) en druk op **OK/>>** om **Automatic Search** (Automatisch Zoeken) weer te geven.
 - Druk op **OK** om de landselectie over te slaan en om naar de volgende stap te gaan. Of gebruik **</>** om uw land opnieuw te selecteren en druk vervolgens op **OK** om te openen.
 - Selecteer **Digital & Analogue** (Digitaal & Analoo), **Digital** (Digitaal) of **Analogue** (Analoog) en druk vervolgens op **OK/>>** om het automatisch zoeken te starten, welke betrekking heeft op alle DVB-T digitale en/of analoge kanalen.
 - Selecteer **Cable** (Kabel).
 - Gebruik **^/v** om **Channel Install** (Kanaal Installeren) te selecteren en druk vervolgens op **OK/>>** om te openen.
 - Selecteer **Automatic Search** (Automatisch Zoeken) en druk vervolgens op **OK/>>** om **Automatic Search** (Automatisch zoeken) weer te geven.
 - Druk op **OK** om de landselectie over te slaan en om naar de volgende stap te gaan. Of gebruik **</>** om uw land opnieuw te selecteren en druk vervolgens op **OK** om te openen.
 - Selecteer **Digital & Analogue** (Digitaal & Analoo) en druk vervolgens op **OK/>>** om te openen. Selecteer indien beschikbaar uw scanmodus en configureer de juiste kabelinformatie op dezelfde manier als in de eerste instellingen. Selecteer **Scan** (Scannen) en druk op **OK/>>** om uw automatische zoekfunctie met betrekking tot alle DVB-C digitale en analoge kanalen te starten.
 - Selecteer **Digital** (Digitaal) en volg hetzelfde proces zoals hierboven is beschreven om uw automatische scan te starten m.b.t. alle digitale DVB-C kanalen.
 - Selecteer **Analogue** (Analoog) en druk op **OK/>>** om uw automatische zoekfunctie met betrekking tot analoge kanalen te starten.
 - Selecteer **Satellite** (Satelliet).
 - *Opmerking: Voor sommige modellen is deze optie niet beschikbaar.*
 - Druk op **^/v** **Satellite Setup** (Satellite Instelling), en druk op **OK/>>** om dit uit te voeren.
 - Druk op **^/v** om de juiste satelliet te selecteren of nieuwe satellieten toe te voegen indien nodig, druk vervolgens op **OK** om het uit te voeren en de juiste informatie met betrekking tot satelliet- en antennedruk te configureren.
 - Selecteer **SETUP > Channel Install > Automatic Search** (Instelling > Kanaal Installeren > Automatisch Zoeken), druk daarna op **OK/>>** om het uit te voeren.
 - Selecteer **Country** (Land), en gebruik **</>** om uw gewenste land opnieuw te selecteren, indien nodig.
 - Selecteer **Satellite Tuning** (Satelliet Instellen), druk op **OK/>>** om het **SATELLITE TUNING** (Satelliet Instellen) weer te geven. Configureer de juiste informatie. Selecteer **Scan** (Scannen), en druk op **OK/>>** om het initiële instellen voor alle satellietkanalen te starten.
 - *Opmerking: Voor sommige modellen is deze optie niet beschikbaar.*
4. Het zoeken kan enkele minuten duren. Tijdens het zoekproces kunt u op **EXIT** drukken om het proces halverwege te onderbreken.
 5. Druk op **BACK** wanneer het automatisch zoeken stopt om naar de laatste stap terug te keren of druk op **OK** om het opzoeken van kanalen opnieuw te starten.
 6. Na het automatisch zoeken worden de kanalen volgens een vooringestelde volgorde geordend. U kunt kanalen overslaan, de vooringestelde volgorde veranderen of de naam van kanalen veranderen.

Uw TV gebruiken

Naar kanalen gaan

De cijfertoetsen gebruiken: druk op de betreffende cijfertoetsen om naar de kanalen te gaan.

Het gebruik van de CH+/- of CH^/V knoppen: scroll door de kanalen.

Kijk naar verbonden apparaten

Druk herhaaldelijk op **SOURCE** op de afstandsbediening of op **OK** op het tv-toestel om te schakelen tussen tv en andere ingangsbronnen. Om verder te gaan met TV-kijken, kunt u een cijfertoets indrukken om het kanaal in te voeren, terwijl **CH+/-** u een ronde langs alle TV-kanalen en andere ingangen biedt.

*Opmerking: Niet alle modellen zijn voorzien van de **OK** knop.*

Volume

Volumeregelaar: gebruik de "**VOL</>**"-knoppen op het TV-toestel of de "**VOL+/-**"-toetsen op de afstandsbediening om het volume te verhogen of verlagen.

Het geluid dempen: druk op de **MUTE**-knop om het geluid tijdelijk te dempen. Druk nogmaals op deze knop of de **VOL+** knop om het weer te laten horen.

De TV-menu's gebruiken

1. Druk op **MENU** om het hoofdmenu te tonen. (Zie afbeelding 3.)
2. Druk op **^/V/</>** om de gewenste optie te selecteren, druk daarna op **OK** om naar het betreffende submenu te gaan.
3. Gebruik in de submenu's **^/V** om de menuopties te selecteren, gebruik **</>** om functies in te stellen en waarden te veranderen. Gebruik **OK** om de instelling te activeren. Gebruik **OK/>** om het betreffende submenu te openen.
4. Druk op **BACK** om naar het vorige menu terug te keren.
5. Druk op **EXIT** om het menu af te sluiten.

Opmerking: Sommige opties zijn voor bepaalde signaalbronnen mogelijk niet beschikbaar.

Selecteer de menutaal

U kunt uw gewenste menutaal selecteren door onderstaande instructies op te volgen.

1. Druk op **MENU** om het hoofdmenu TV menu te tonen.
2. Druk op **^/V/</>** om **SETUP** (Instelling) te selecteren, en druk vervolgens op **OK** om in te voeren.
3. Selecteer **Language** (Taal) en druk op **OK/>** om verder te gaan.
4. Selecteer **Menu Language** (Menu Taal) en druk op **</>** om de menu's in uw

gewenste taal te tonen.

5. Druk op **EXIT** om het menu af te sluiten.

Meer uit uw TV

Uw favoriete kanalen instellen

U kunt een lijst van uw favoriete TV-kanalen maken.

1. Druk op **CH.LIST**.
2. Druk op de gele toets en selecteer **CHANNEL LIST SELECTION** (Kanaallijst Selectie). Druk op "**^/V**" om de favorietenlijst te selecteren en druk op "**OK**" om te openen.
3. Druk op de blauwe toets om uw lijst met favorieten te wijzigen. Druk op **^/V** om door de lijst van kanalen te bladeren en druk op **OK** om kanalen te selecteren en deselecteren.
4. Herhaal deze handelingen om andere favoriete kanalen in te stellen.
5. Druk op **CH.LIST/EXIT** om af te sluiten.

ECO Dynam. Verlicht.

1. Druk op "**MENU**" op de afstandsbediening en selecteer "**PICTURE > ECO Settings > Energy Saving**" (Beeld > ECO Dynam. Verlicht. > ECO Dynam. Verlicht.).
 2. Druk op "**</>**" om een gewenste energiebesparende modus te selecteren om het gewenste energiebesparingeffect te bereiken.
 3. Druk op "**EXIT**" om het menu te sluiten.
- Snelbediening:** Druk op "**ECO**" op de afstandsbediening om direct de gewenste energiebesparende modus te selecteren.

PAP-functie

Om de beelden van verschillende ingangen naast elkaar weer te geven. Merk op dat een scherm er is voor zowel analoge en digitale TV-ingangen, en de ander voor VGA-, HDMI- en CMP-ingangen. (*Opmerking: Onbeschikbaar voor AV-Scart op beide beelden.*)

1. Druk op **MENU** om het hoofdmenu TV menu te tonen.
2. Selecteer **PAP** (Beeld-in-beeld) en druk op **OK** om verder te gaan.
3. Selecteer de **PAP** (Beeld-in-beeld) optie en druk op **</>** om de PAP functie aan/uit te zetten.
4. Selecteer **TV Position** (TV-Positie),

druk op </> om het TV-scherm te herpositioneren.

5. Druk op </> om het focusvenster aan of uit te zetten.
6. Wanneer de focus op het TV beeld ligt, werken de cijfertoetsen en **CH+/-** in TV. Wanneer de focus op het andere beeld ligt, dan is de **CH+/-** schakelaar beschikbaar voor externe bronnen.

Het gebruik van ondertitels

U kunt ondertiteling inschakelen voor digitale TV-kanalen. Ondertitels worden uitgezonden via teletekst of DVB-T/ DVB-C digitale uitzendingen. Bij digitale uitzendingen heeft u de extra optie om de gewenste ondertitelingstaal te selecteren.

Ondertitels aan/uitzetten

1. Druk op **MENU** op de afstandsbediening en selecteer **OPTIONS > Subtitle** (Opties > Ondertitel).
2. Druk op **OK/>** om te bevestigen. (Zie afbeelding 4.)
3. Selecteer de optie **Subtitle** (Ondertitel), en druk op </> om **On/Off** (Aan/Uit) te selecteren om ondertitels aan/uit te zetten.

Schakel ondertiteling in op digitale TV-kanalen

1. Druk op **MENU** op de afstandsbediening en selecteer **OPTIONS > Subtitle > Digital Subtitle Language** (Opties > Ondertitel > Digitale Ondertiteltaal).
2. Druk op </> om een ondertitelingstaal als uw voorkeurstaal te selecteren.
3. Druk op **▲/▼** om **Digital Subtitle Language 2nd** (2e Digitale Ondertiteltaal) te selecteren.
4. Druk op </> om een tweede ondertitelingstaal te selecteren.
5. Druk op **EXIT** om het menu af te sluiten.

Sneltoets: Druk op **SUBT** op de afstandsbediening om direct een ondertitelingstaal te selecteren die voor een geselecteerd TV-programma beschikbaar is.

Selecteer een ondertitelingstype op digitale TV-kanalen

1. Druk op **MENU** op de afstandsbediening en selecteer **OPTIONS > Subtitle > Subtitle Type** (Opties > Ondertitel > Ondertitel Type).
2. Druk op </> om een ondertitelingstype

te selecteren. U kunt **Hearing Impaired** (Auditief Gehandicapt) selecteren om de ondertiteling voor slechthorenden in uw geselecteerde taal weer te geven.

Selecteer taal decodeerpagina in teletekst

Druk op **MENU** op de afstandsbediening en selecteer **OPTIONS > Teletext > Decoding Page Language** (Opties > Teletext > Taal Decodeerpagina). Selecteer een passend taaltype, waarin Teletext wordt getoond.

Taal digitale Teletekst

Met digital TV-zenders kunt u naar een service met meerdere openingspagina's van Teletekst in verschillende talen schakelen. Deze functie stelt u in staat een beschikbare taal als eerste taal voor de openingspagina van Teletekst te selecteren.

Druk op **MENU** op de afstandsbediening en selecteer **OPTIONS > Teletext > Digital Teletext Language** (Opties > Teletext > Taal Digitale Teletekst). Druk op </> om te selecteren.

SPDIF-type

Verbinden met audio-apparatuur via de **SPDIF** output. Druk op **MENU** op de afstandsbediening en selecteer **OPTIONS > SPDIF Type** (Opties > SPDIF-Type). Selecteer een passend geluidstype uit de lijst voor digitale programma's.

- Als het huidige programma geluid produceert in **Dolby D** formaat, kan ofwel **PCM** of **Dolby D** worden geselecteerd.
- Als het huidige programma geen geluid in **Dolby D** formaat produceert, kan alleen **PCM** worden geselecteerd. Anders wordt er geen geluid geproduceerd.
- Selecteer **Off** (Uit) om de audio-uitgang uit te zetten van het audio-apparaat dat met de **SPDIF** uitgang verbonden is.

*Opmerking: De selecteerbare opties zijn afhankelijk van het programma dat u momenteel bekijkt. Als u **PCM** selecteert en het geluid sneller loopt dan de weergave, kunt u **SPDIF Delay** (SPDIF-Vertraagd) selecteren vanuit het **OPTIONS** (Opties) menu en op </> drukken om de vertragingstijd aan te passen en het geluid met de weergave te synchroniseren.*

T-Link

Om naar CEC-apparaten verbonden met de HDMI-ingangen van uw TV te zoeken en het mogelijk maken van one-touch play en one-touch standby tussen CEC-apparaten.


T-Link aan- of uitzetten

1. Druk op **MENU** op de afstandsbediening en selecteer **OPTIONS > T-Link** (Opties > T-Link).
2. Druk op **</>** om **On** (Aan) of **Off** (Uit) te selecteren.

Het gebruik van one-touch play

One-touch play maakt het mogelijk voor u om op de afspeelknop te drukken, op bijvoorbeeld uw DVD-afstandsbediening. Dit begint het afspelen op uw DVD-speler en schakelt automatisch uw TV om naar de juiste bron, de inhoud van de DVD weergevend.

Het gebruik van syteem standby

Systeem standby stelt u in staat om op de  toets te drukken, op bijvoorbeeld uw TV-afstandsbediening. Dit zet uw TV en alle aangesloten HDMI apparaten in de standby modus.

Netwerk update

Druk op **MENU** op de afstandsbediening, en selecteer daarna **OPTIONS > Network Update** (Opties > Netwerk Update).

- Selecteer **On/Off** (Aan/Uit) om de functie Netwerk update in of uit te schakelen.
- Wanneer deze functie is ingeschakeld, zal de TV automatisch de kanalen bijwerken als uw DTV dienstverlener zijn DTV netwerk bijwerkt.
 - Wanneer deze functie is uitgeschakeld, moet u opnieuw de kanalen scannen om opnieuw kanalen te ontvangen of om onbeschikbare kanalen te verwijderen, als uw DTV dienstverlener kanalen toevoegt of verwijdert van hun DTV netwerk.

Gemeenschappelijke interface

Gecodeerde digitale TV-kanalen kunnen gedecodeerd worden met een gemeenschappelijke interface-module en een kaart die leverbaar is via een digitale TV-provider.

De gemeenschappelijke interface-module kan enkele digitale diensten mogelijk

maken, afhankelijk van de provider en diensten die u kiest (bijvoorbeeld betaal-TV). Neem contact op met uw TV-provider voor meer informatie over diensten en voorwaarden.

Het gebruik van de gemeenschappelijke interface-module

WAARSCHUWING: Schakel uw TV uit voordat u een gemeenschappelijke interface-module aansluit. Zorg ervoor de hieronder beschreven instructies op te volgen. Verkeerde aansluiting van een gemeenschappelijke interface-module kan zowel de module als uw TV beschadigen.

1. Volg de op de gemeenschappelijke interface-module gedrukte instructies op, steek voorzichtig de module in de gleuf in de TV die daarvoor is bestemd.
2. Druk de module er zo ver mogelijk in.
3. Schakel de TV in en wacht totdat de gemeenschappelijke interface wordt geactiveerd. Dit kan enkele minuten duren.

Opmerking: Haal de gemeenschappelijke interface-module niet uit de gleuf. Het er uit halen van de module zal de digitale diensten deactiveren.

Toegang tot gemeenschappelijke interface-diensten

Druk, na het er in steken en activeren van de gemeenschappelijke interface-module, op **MENU** op de afstandsbediening en selecteer **OPTIONS > Common Interface** (Opties > Gemeenschappelijke Interface). Deze menu-optie is alleen beschikbaar als de gemeenschappelijke interface-module er correct ingestoken en geactiveerd is. On-screen toepassingen en inhoud worden geleverd door uw digitale TV-provider.

Software bijwerken

Druk op **MENU** op de afstandsbediening en selecteer **OPTIONS > Software Update** (Opties > Software Bijwerken). Druk op **OK/>** om te bevestigen.

- **Current Version** (Huidige Versie): Controleert de huidige softwareversie.
- **Product Name** (Naam Van Het Product): Geeft de productnaam van uw set weer.
- **Serial Number** (Serienummer) (indien beschikbaar): Geeft het serienummer

van uw set weer.

- **By Network** (Door Netwerk): geeft u de mogelijkheid de laatste software versie van internet te downloaden en te installeren. Zorg ervoor dat er eerst een bekabelde of draadloze instelling gemaakt wordt, daarna selecteert u **By Network** (Door Netwerk) en druk op **OK/>>** om het uit te voeren. Volg de instructies op het scherm op om verder te gaan.
Opmerking: Sluit een USB-apparaat op uw TV aan voordat u een software-update start.
- **By Channel** (Per Kanaal): Dit stelt u in staat om indien beschikbaar, de nieuwste versie van de software te installeren. Selecteer **By Channel** (Per Kanaal) en druk op **OK/>>** om te openen.
- Gebruik **</>** om **Yes** (Ja) onder **Auto Download** (Auto Downloaden) te selecteren om indien beschikbaar, automatisch de nieuwste software te downloaden. Nadat de software met succes is gedownload, wordt u gevraagd om te beslissen of u het direct wilt installeren. Zo ja, volg de aanwijzingen op het scherm om de installatie te voltooien. U kunt ook ervoor kiezen om de installatie te negeren.
 - Selecteer **No** (Nee) onder **Auto Download** (Auto Downloaden) om de automatische download af te wijzen.
 - Selecteer **Manual Download** (Handmatig Downloaden) en druk op **OK/>>** om het handmatige scannen van de nieuwste software te starten. Volg de aanwijzingen op het scherm om de installatie te voltooien. Druk tijdens het zoeken op **OK/EXIT** om te annuleren en af te sluiten.

Instellen van Winkel of Thuis modus

1. Druk op **MENU** op de afstandsbediening en selecteer **OPTIONS > Location** (Opties > Lokatie).
2. Druk op **</>** om **Shop** (Winkel) of **Home** (Thuis) te selecteren.
3. Druk op **EXIT** om af te sluiten.

Opmerking: Zoals bepaald door de Europese Commissie Richtlijn 2009/125/EC, zal de TV in Home modus automatisch op stand-by worden gezet als er 4 uur lang geen actie wordt uitgevoerd. Deze functie kan worden

*gedeactiveerd in het **OPTIONS** (Opties) menu.*

MHEG functie

Sommige digitale TV-uitzendingen hebben speciale tekstinformatie of interactieve service (BBC1 bijvoorbeeld). Deze diensten werken op dezelfde manier als gewone teletekst met de nummer-, kleur- en navigatietoetsen.

1. Druk op **MENU** op de afstandsbediening en selecteer **OPTIONS > SUBTITLE > SUBTITLE** (Opties > Ondertitel > Ondertitel).
2. Druk op **</>** om **Subtitle** (Ondertitel) op **Off** (Uit) te zetten.
*Opmerking: MHEG en ondertitels sluiten elkaar uit en kunnen niet gelijktijdig op het scherm worden gebruikt. Als **Subtitle** (Ondertitel) op **On** (Aan) staat, zal MHEG niet getoond worden.*
3. Druk op de rode toets of op **TEXT** op de afstandsbediening.
4. Druk op **^/V/</>** om een item te selecteren of te markeren.
5. Druk op **OK** om te bevestigen of de activeren.
6. Druk op een van de kleurtoetsen om een optie te selecteren.
7. Druk op **TEXT** of **EXIT** om af te sluiten.

Foto's bekijken, muziek afspelen en video kijken vanaf een USB-opslagmedium

Uw TV is uitgerust met een USB-aansluiting waarmee u foto's kunt bekijken, naar muziek kunt luisteren of video's bekijken die op een USB-opslagapparaat zijn opgeslagen.

Ondersteunde bestandsformaten:

Foto	JPEG
Muziek	MP3
Video	AVI, MP4, MPG, MPEG, TS, DIVX, MKV...

Opmerking: sommige USB-aansluitingen en USB-producten zoals digitale camera's of mobiele telefoons zijn niet geheel compatibel met de USB 2.0 standaard waardoor het niet kan werken met de TV-multimedia speler. Niet alle USB-aansluitingen of -producten zijn compatibel met de USB-functie. Niet alle beschreven formaten worden ondersteund. Het codering formaat van uw bestanden bepaalt of ze wel of niet gebruikt kunnen worden.

Wanneer een USB-apparaat is aangesloten, selecteer "**MEDIA**" (Media) in het hoofdmenu en druk op "**OK**" om te openen.

Foto

Voor het weergeven van foto's indien beschikbaar.

1. Selecteer **MEDIA > PHOTO** (Media > Foto) en druk vervolgens op **OK** om de inhoud-browser van het hoofdbestand te openen.
2. In de inhoud-browser van het hoofdbestand gebruik **^/V/</>** om een foto of een interne map te selecteren.
3. Selecteer een subfolder en druk op **OK** om een inhoudsbrowser van een subfolder binnen te gaan.
4. Gebruik **^/V/</>** om een foto in de inhoud-browser van een hoofd- of subbestand te selecteren en druk op **MENU** om het fotomenu in de mapmodus weer te geven.
 - **Sort** (Sorteren): Sorteert mappen en foto's op wijzigingsdatum of naam.
 - **Edit** (Bewerken): Kopieer, plak of verwijder een geselecteerde foto.
 - **Parser** (Parser): U kunt **Recursive** (Recursief) kiezen om foto's uit alle onderliggende bestandsmappen weer te geven.
5. Selecteer een foto, druk op **OK** om te bekijken, en een diavoorstelling wordt vanaf de geselecteerde foto gestart. Druk op **||** om de foto te pauzeren voor als u de gepauzeerde foto wilt roteren. Druk op **MENU** om het fotomenu in de browser-modus weer te geven. U kunt de foto weergeven, pauzeren of roteren, verschillende weergavemodi en weergave-effecten, enz. selecteren.
6. Druk op de bijbehorende toetsen op de afstandsbediening om de beschikbare functies, weergegeven in de functiebalk aan de onderkant van het TV-scherm, uit te voeren.

Muziek

Om muziek af te spelen als die beschikbaar is.

1. Selecteer **MEDIA > MUSIC** (Media > Muziek), druk vervolgens op **OK** om naar de inhoudsbrowser te gaan.
2. Gebruik **^/V/</>** om een nummer in de inhoud-browser van een hoofd- of subbestand te selecteren en druk op **MENU** om het muziekmenu in de

mapmodus weer te geven.

- **Sort** (Sorteren): Sorteren mappen en nummers op naam, genre, artiest of album.
 - **Edit** (Bewerken): Kopieer, plak of verwijder een geselecteerd nummer.
 - **Parser** (Parser): U kunt **Recursive** (Recursief) kiezen om nummers uit alle onderliggende bestandsmappen weer te geven.
3. Selecteer een nummer, druk op **OK** om af te spelen, en na het geselecteerde nummer worden alle nummers automatisch afgespeeld. Druk op **MENU** om het muziekmenu in de browser-modus weer te geven. U kunt het nummer afspelen of pauzeren en verschillende afspeelmodi, enz. selecteren.
 - **Show Lyrics** (Songtekst Tonen): Deze optie is beschikbaar voor liedjes met songteksten. Selecteer de optie en gebruik **</>** om de gesynchroniseerde songtekstweergave in/uit te schakelen.
 - **Audio Only** (Alleen Audio): Selecteer en druk op **OK** om naar de muziek te luisteren terwijl het scherm uitgeschakeld is. Druk op een willekeurige toets om het scherm weer in te schakelen.
 4. Druk op de bijbehorende toetsen op de afstandsbediening om de beschikbare functies, weergegeven in de functiebalk aan de onderkant van het TV-scherm, uit te voeren.

Video

Om video te bekijken als deze beschikbaar is.

1. Selecteer **MEDIA > VIDEO** (Media > Video), druk vervolgens op **OK** om naar de inhoudsbrowser met het hoofdmenu voor bestanden te gaan.
2. Gebruik **^/V/</>** om op dezelfde wijze als in de fotoweergavefunctie een video in de inhoud-browser van een hoofd- of subbestand te selecteren en druk op **MENU** om het videomenu in de mapmodus weer te geven.
 - **Sort** (Sorteren): Sorteert mappen en video's op soort, wijzigingsdatum of naam.
 - **Edit** (Bewerken): Kopieer, plak of verwijder een geselecteerde video.
 - **Parser** (Parser): U kunt **Recursive** (Recursief) kiezen om video's uit alle

onderliggende bestandsmappen weer te geven.

3. Selecteer een video, druk op **OK** om af te spelen, en na de geselecteerde video worden alle video's automatisch afgespeeld. Druk op **MENU** om het videomenu in de browser-modus weer te geven. U kunt de video afspelen, pauzeren en verschillende afspeelmodi, weergavemodi en voorinstellingen van het beeld, enz. selecteren.
4. Druk op de bijbehorende toetsen op de afstandsbediening om de beschikbare functies, weergegeven in de functiebalk aan de onderkant van het TV-scherm, uit te voeren.

DivX video

(* niet beschikbaar bij sommige modellen)

OVER DIVX VIDEO: DivX® is een digitaal videoformaat gecreëerd door DivX, Inc. Dit is een officieel DivX Certified® apparaat waarmee u DivX video kunt afspelen.

Bezoek divx.com voor meer informatie en softwaretoepassingen om uw bestanden naar DivX video te converteren.

OVER DIVX VIDEO-ON-DEMAND: Dit DivX Certified® apparaat moet worden geregistreerd om aangeschafte DivX Video-on-Demand (VOD/Video-op-Verzoek) films af te kunnen spelen.

Vraag uw registratiecode aan:

- Druk op **MENU** om de afstandsbediening.
- Selecteer **OPTIONS > DivX(R) Registration** (Opties > DivX(R) Registratie).
- Druk op **OK/>** om uw registratiecode weer te geven.

Bezoek vod.divx.com voor meer informatie over het afronden van uw registratie.

Uw TV-registratie deactiveren:

Als u uw TV-registratie wilt deactiveren,

- Druk op **MENU** om de afstandsbediening.
- Selecteer **OPTIONS > DivX(R) Deregistration** (Opties > DivX(R) Uitschrijving).
- Druk op **OK/>** en volg de instructies op het scherm.

DivX®, DivX Certified®, DivX Plus™ HD en verwante logo's zijn handelsmerken van DivX, Inc. en worden gebruikt onder licentie.

Tijdsdetectie

De gebruiker kan de tijd van digitale kanalen opsporen via de volgende operaties.

1. Druk op **MENU** om de afstandsbediening en selecteer **OPTIONS > Timer > Clock > Auto Synchronization** (Opties > Timer > Klok > Autosynchronisatie).
2. Druk op **</>** om **On** (Aan) te selecteren.

Wijs een kanaaldecoder toe

Decoders die analoge kanalen decoderen kunnen op de AV-aansluiting aangesloten worden. U moet een TV-kanaal toewijzen als kanaal dat gecodeerd moet worden. Wijs dan de verbinding toe waarop de decoder is aangesloten.

1. Druk op **MENU** om de afstandsbediening en selecteer **SETUP > Decode** (Instelling > Decoderen).
2. Druk op **OK/>** om naar de lijst te gaan.
3. Druk op **^/V** om het kanaal te kiezen wat gedecodeerd moet worden.
4. Druk op **OK** om het kanaal te selecteren of te deselecteren.
5. Druk op **BACK** om naar het vorige menu terug te keren.

Storingen op digitale TV-kanalen opsporen

1. Druk op **MENU** om de afstandsbediening en selecteer **SETUP > Diagnostics** (Instelling > Diagnose).
2. Druk op **OK/>** om signaalgegevens zoals signaalsterkte, frequentie, enz., van het huidige kanaal weer te geven.

Tijdsverschuiving

Stelt u in staat om in een programma te pauzeren, achteruit en vooruit te spoelen. De eerste keer dat u deze functie gebruikt, zorg ervoor om een USB-geheugenstick aan te sluiten.

Opmerking: Als gevolg van specifieke eisen van het land is de tijdsverschuivingsfunctie voor Finland niet beschikbaar.

1. Druk op **MENU** om de afstandsbediening en selecteer **SETUP > Time Shift** (Instelling > Tijdsverschuiving).
2. Druk op **</>** om **On** (Aan) te selecteren om de tijdsverschuivingsfunctie in te schakelen, en druk vervolgens op **EXIT** om het menu te sluiten.
3. Druk op **OPTION** om de afstandsbediening en selecteer

vervolgens **Time Shift**

(Tijdsverschuiving), en druk vervolgens op **OK** om te bevestigen.

4. Volg de aanwijzingen op het scherm op om de installatie uit te voeren.
5. Nadat de schijfset-up voltooid is, druk op **OPTION** en selecteer **Time Shift** (Tijdsverschuiving).
6. Druk op **OK** om het tijdsverschuivingsmenu weer te geven.
 - Druk op de "▶" -toets om het beeld te pauzeren en de tijdsverschuiving te starten.
 - Druk op de "▶" -toets om het opgenomen gedeelte af te spelen.
 - Wanneer het tijdsverschuivingsmenu verdwijnt en alleen de timing van de tijdsverschuiving op het scherm achter blijft, kunt u op de "▶" -toets of op "**OK**" drukken om het tijdsverschuivingsmenu te openen.
 - Druk op de "◀" -toets om snel achteruit te spoelen of op de "▶" -toets om snel vooruit te spoelen.
 - Druk op de "■" -toets om de tijdsverschuivingsfunctie te stoppen.

Opmerkingen:

- *Maak a.u.b. een back-up van de gegevens in een USB apparaat voordat u het op de TV aansluit om te voorkomen dat u belangrijke gegevens verliest wegens een onverwachte storing.*
- *Wij raden u aan een USB apparaat te gebruiken met een vrije bestandcapaciteit van groter dan 1GB en een disksnelheid van hoger dan 5,0MB/sec.*
- *Hoe groter de bestandsgrootte voor timeshift, hoe langer de opnametijd.*
- *Als u in timeshift van kanaal wisselt, zal er een melding verschijnen waarin u wordt gevraagd **Yes** (Ja) of **No** (Nee) te selecteren. U kunt **Yes** (Ja) selecteren om de timeshiftfunctie te sluiten en van kanaal te wisselen.*

Reset winkel

Hiermee kunt u het toestel terugzetten in de fabrieksinstellingen.

1. Druk op **MENU** op de afstandsbediening en selecteer **SETUP** (Instelling). Druk daarna op **OK** om te bevestigen.
2. Selecteer **Reset Shop** (Reset Shop) en druk op **OK/>>** om te openen.
3. Gebruik de cijfertoetsen om het wachtwoord in te voeren.

4. Druk op **</>** en selecteer **OK** en druk nogmaals op **OK** om te bevestigen.
5. Het **Initial Setup** (Eerste Instelling) menu verschijnt. Volg de getoonde aanwijzingen.

Aanpassen van invoerinstellingen

Hiermee kunt u uw TV voor externe invoerapparaten, zoals een settopbox, een Blu-Ray-speler, een computer of spelconsole configureren.

1. Druk op **MENU** op de afstandsbediening en selecteer **SETUP > Input Settings** (Instelling > Invoerinstellingen).
2. Druk op **OK/>>** om naar **Input Settings** (Invoerinstellingen) te gaan.
3. Druk op "**^/V**" om de poort te selecteren waarop het invoerapparaat is aangesloten.
4. Druk op "**</>**" om het type van het apparaat te selecteren. Druk op "**</>**" om een naam aan het apparaat toe te wijzen.
5. Druk op **BACK** om terug te gaan naar het **SETUP** (Instelling) menu.

Na het configureren, zal bij het indrukken van **SOURCE** op de afstandsbediening of op **OK** om het TV-toestel, de label van de geselecteerde bron achter de naam van de bijbehorende connector in de bronnenlijst worden weergegeven.

Het gebruik van de Elektronische Programmagids

EPG is een in-beeldgids die ingeplande TV-programma's toont. U kunt navigeren, selecteren en programma's bekijken.

1. Druk op **GUIDE** op de afstandsbediening om het **Now and Next EPG** (Huidige en Volgende EPG) menu te openen. U kunt hier informatie vinden over het huidige en volgende programma op elk kanaal. Gebruik de navigatietoetsen op de afstandsbediening om door de verschillende programma's te navigeren.
2. Maak gebruik van de kleurtoetsen om **8 Days EPG** (8 dagen EPG) te zien.
 - **Prev Day** (Vorige Dag) (Rood): Bekijk een lijst met de EPG van de vorige dag.
 - **Next Day** (Volgende Dag) (Groen): Bekijk een lijst met de EPG van de volgende dag.
 - **View Detail** (Bekijk Beschrijving) (Geel): Toont de beschrijving van dit

- programma indien beschikbaar.
 - **Type Filter** (Type Bilter) (Blauw): Filter programmagids voor digitale TV-programma's.
 - Druk op de blauwe toets om het programmatype weer te geven.
 - Verplaats door de verschillende types en sybtipes met behulp van de pijltoetsen op de afstandsbediening.
 - Selecteer één of meer types uit de type lijst die u wilt markeren, druk op **OK** om te selecteren (of deselecteren). Aan de linkerkant van het type verschijnt een vinkje wanneer deze geselecteerd wordt. Wanneer u een type selecteert, worden alle bijbehorende subtypes eveneens geselecteerd.
 - De gebruiker kan ook sommige gewilde subtypes selecteren zonder eerst een type te selecteren.
 - Druk op de blauwe toets om de typelijst af te sluiten.
 - Na filtering worden al uw gewenste digitale TV-programma's gemarkeerd.
 - **Add Schedule** (Rooster Toevoegen) (Optie): Druk op **OPTION** op de afstandsbediening om de **Schedule List** (Planningslijst)-menu naar voren te brengen. Voor meer informatie over geplande opnames, wordt verwezen naar de **Schedule List** (Planningslijst)-sectie.
3. Druk op **GUIDE/EXIT** om de EPG af te sluiten en naar het geselecteerde kanaal te schakelen.

PVR (Personal Video Recorder) (Persoonlijke Videorecorder)

U kunt met deze functie uw favoriete TV programma opnemen. U dient eerst een USB-geheugenapparaat op de TV aan te sluiten voordat u deze functie kunt gebruiken.

Opmerking: De PVR is wegens specifieke landvereisten niet beschikbaar voor Finland.

1. Druk op "**Option**" op de afstandsbediening en selecteer "**QUICK ACCESS > PVR**" (Snelle toegang > PVR).
 2. Druk op "**OK/>**" om te openen.
- Snelbediening:** Druk op "**REC**" op de afstandsbediening om direct het PVR-menu te openen.
3. Druk op:
 - de "**REC**"-toets om met opnemen te beginnen, het opnamebestand wordt in een PVR-map in "**MEDIA > VIDEO**" (Media > Video) opgeslagen;
 - de "**■**"-toets om het opnemen handmatig te beëindigen; als de opnameduur is verstreken, zal de opname automatisch stoppen.
 - "**^/√/</>**" om de opnameduur in te stellen.
 4. Er wordt tijdens de opname ook een PVR-minipaneeltje getoond om de voortgang van de opname aan te geven.
 5. Voor het bekijken van het opgenomen programma, sluit eerst de PVR-modus af en ga naar **MEDIA > VIDEO** (Media > Video). Selecteer de map PVR, en selecteer vervolgens het betreffende recordbestand. Druk op **OK** om af te spelen. (Het is hetzelfde wanneer de gebruiker een digitaal radioprogramma opneemt.)

Opmerkingen:

- *De PVR-functie wordt gedeactiveerd wanneer een "CI+"-kaart wordt gebruikt.*
- *Alleen beschikbaar voor digitale kanalen.*
- *Ondersteunt uitsluitend USB-geheugenapparaten met FAT32-formaat.*
- *Maak a.u.b. een back-up van de gegevens in het apparaat voordat u het USB apparaat op de set aansluit om verlies van belangrijke gegevens wegens onverwachte storingen te voorkomen.*
- *Hoe groter de geheugen capaciteit van het USB apparaat voor de PVR functie, hoe langer de opnametijd.*
- *Als u tijdens een opname van kanaal of signaalbron wilt wisselen, sla de opgenomen gegevens dan a.u.b. op voordat u het kanaal of de signaalbron wijzigt.*
- *De set kan bestanden niet normaal afspelen als de parameters van het bestand de systeembependingen overschrijden, het bestandsformaat niet wordt ondersteund, het bestand beschadigd is of het bestand niet gedecodeerd kan worden.*
- *Koppel het USB-geheugenapparaat niet los wanneer het systeem een bestand inleest of gegevens overdraagt, anders kan het systeem of apparaat beschadigd raken.*

Planningslijst

Deze functie wordt gebruikt om geprogrammeerde opname uit te voeren.

1. Druk op **OPTION** op de afstandsbediening en selecteer **QUICK ACCESS > Schedule List** (Snelle toegang > Planningslijst).
2. Druk op "**OK**" om de "**Schedule List**" (Planningslijst) weer te geven.
3. Om een programma in uw programmalijst toe te voegen, druk eerst op de rode toets om **Schedule list** (Planningslijst) weer te geven. Vervolgens,
 - **Channel Number** (Kanaalnummer): Gebruik **</>** om het kanaalnummer te selecteren.
 - **Start Date** (Startdatum): Gebruik de cijfertoetsen om de opnamedatum in te stellen.
 - **Start Time** (Starttijd): Stel de starttijd voor de opname in.
 - **Stop Time** (Eindtijd): Stel de eindtijd voor de opname in.
 - **Schedule Type** (Programmatype):
 - Stel een **Reminder** (Herinnering) in om herinnerd te worden dat u kunt overschakelen naar het geplande programma wanneer het de tijd is welke u heeft ingesteld. Wanneer de tijd om is en u voert de bewerking niet uit, zal het dialoogvenster verdwijnen en zullen er verder geen andere bewerkingen worden uitgevoerd.
 - Stel **Record** (Opnemen) in om te controleren of u echt uw geplande opname wilt starten wanneer de tijd die u ingesteld heeft daar is. Wanneer de tijd uit is en u voert de bewerking niet uit, zal de geprogrammeerde opname automatisch starten.
 - **Repeat Type** (Herhalingsstijpe): Stel verschillende herhalingsmodi van de opname in.
4. Druk op **^/V/</>** om **Add** (Toevoegen) te selecteren en druk vervolgens op **OK** om het door u ingestelde programma in uw programmalijst toe te voegen.
5. Druk op de rode toets om bovenstaande procedures te herhalen om een ander programma toe te voegen.
6. Als u een programma wenst te bewerken of verwijderen, selecteer het en druk op

OK om te openen.

7. Druk op **EXIT** om het menu af te sluiten.

Netwerkverbinding

U kunt uw TV zodanig instellen dat het Internettoegang heeft via uw lokaal area netwerk (LAN) m.b.v. een bedrade of draadloze verbinding.

Verbinden met een bedraad netwerk

U kunt uw TV op drie manieren met uw LAN verbinden via een kabel:

- U kunt uw TV direct met uw LAN verbinden door de LAN poort op uw TV aan te sluiten op een externe modem via een CAT 5 kabel.
- U kunt uw TV met uw LAN verbinden door de LAN poort op uw TV aan te sluiten op een IP Sharer die is aangesloten op een externe modem. Gebruik een Cat 5 kabel voor deze aansluiting.
- U kunt afhankelijk van uw netwerkconfiguratie uw TV met uw LAN verbinden door de LAN poort op uw TV direct aan te sluiten op een netwerkstopcontact via een Cat 5 kabel. Vergeet a.u.b. niet dat dit stopcontact aangesloten moet zijn op een modem of router elders in uw huis.

Selecteer **SETUP > Network > Settings > Interface** (Instelling > Netwerk > Instellingen > Interface), selecteer vervolgens **Ethernet** (Ethernet) om verbinding te maken met een bekabeld netwerk.

Verbinden met een draadloos netwerk

Om uw TV draadloos met uw netwerk te verbinden, hebt u een draadloze router of modem nodig en een Wi-Fi-adaptor, apart aan te schaffen. Sluit de Wi-Fi-adaptor aan op de **USB 1** poort van uw TV.

1. Selecteer **SETUP > Network > Settings > Interface** (Instelling > Netwerk > Instellingen > Interface) en vervolgens **Wireless** (Draadloos) om verbinding te maken met een draadloos netwerk.
2. Selecteer **Wireless Setting** (Draadloos Instelling) en druk op **OK/>** om te openen.
3. **Verbindingsmethoden:** U kunt uw draadloze netwerkverbinding op drie manieren instellen.

- **Scan** (Scannen)
- Selecteer **Wireless Setting > Scan** (Draadloos Instelling > Scan), druk vervolgens op **OK/>** en de TV zal naar alle toegangspunten binnen het bereik scannen en de gevonden toegangspunten vervolgens weergeven.
- Selecteer een beschikbaar toegangspunt en druk vervolgens op **OK/>** om de TV ermee te verbinden.

Opmerkingen:

- *Als u een beveiligd toegangspunt selecteert, zult u het corresponderende wachtwoord in te voeren. Druk op **OK** op de afstandsbediening om het virtuele toetsenbord weer te geven waarmee u het wachtwoord kunt invoeren.*
- *Deze TV heeft een geheugenfunctie voor beschikbare toegangspunten, die u kunt instellen om met het netwerk verbonden te blijven zelfs nadat de TV is uitgeschakeld.*
- **Manual** (Handmatig)
Selecteer **Wireless Setting > Manual** (Draadloos Instelling > Handmatig), druk vervolgens op **OK/>** en u zult worden gevraagd de correcte SSID in te voeren van een beschikbare draadloze router om de verbinding tot stand te brengen.
- **Auto** (Auto)
Als uw AP de optie WPS (Wi-Fi Beveiligde Instelling) ondersteunt, kunt u verbinding maken met het netwerk via PIN (Persoonlijk Identificatienummer) of PBC (Drukknop Configuratie). WPS zal het SSID en WPA wachtwoord in beide modi automatisch configureren. Selecteer **Wireless Setting > Auto** (Draadloos Instelling > Auto) en druk vervolgens op **OK/>** om te openen.
 - **PIN** (PIN): Selecteer **PIN** (PIN) en druk op **OK/>** om te openen. Genereer een willekeurige PIN code. Zorg ervoor dat deze code geïnstalleerd is in de AP (lees voor procedures a.u.b. de handleiding van uw router). Druk nogmaals op **OK/>** om de verbinding tot stand te brengen.
 - **PBC** (PBC): Als uw router een PBC drukknop heeft, kunt u **PBC** (PBC) selecteren en vervolgens op **OK/>** drukken om te openen. Druk binnen 2 minuten op de PBC drukknop op

uw router nadat u nogmaals op **OK/>** drukt. Uw TV zal automatisch de vereiste waarden voor de netwerkinstelling identificeren en verbinding maken met uw netwerk.

Netwerkinstelling

1. Druk op **MENU** op de afstandsbediening en selecteer **SETUP > Network > Settings > Internet Connection** (Instelling > Netwerk > Instellingen > Internetconnectie). Gebruik **</>** om **On** (Aan) te selecteren en wacht totdat de verbinding automatisch tot stand wordt gebracht.
2. Selecteer **SETUP > Network > Settings > Connection Test** (Instelling > Netwerk > Instellingen > Connectietest) en druk vervolgens op **OK/>** om de Internetverbinding te controleren. Mocht het niet werken, volg dan a.u.b. de onderstaande stap om het verbindingprobleem te verhelpen.
3. Selecteer **SETUP > Network > Settings > IP Setting** (Instelling > Netwerk > Instellingen > IP instelling) en druk vervolgens op **OK/>** om het **IP Setting** (IP Instelling) menu te openen.
 - Stel **Address Type** (Adrestype) in op **Auto** (Auto), het zal automatisch het benodigde IP-adres verwerven en invoeren.
 - U kunt onderstaande stappen volgen om uw IP-adres handmatig in te voeren.
 - Stel **Address Type** (Adrestype) op **Manual** (Handmatig) en druk vervolgens op **V** om naar het eerste invoerveld te gaan.
 - Voer de **IP Address** (IP-adres), **Subnet Mask** (Subnetmasker), **Default Gateway** (Standaardgateway), **Primary DNS** (Primaire DNS) en **Secondary DNS** (Secundaire DNS)-waarden in. Gebruik de cijfertoetsen om getallen in te voeren en de pijltjestoetsen om van het ene naar het andere invoerveld te verplaatsen.
 - Selecteer na de instelling **SETUP > Network > Settings > Connection Test** (Instelling > Netwerk > Instellingen > Connectietest) om de Internetverbinding nog een keer te

controleren.

4. Selecteer **SETUP > Network > Settings > Information** (Instelling > Netwerk > Instellingen > Informatie) en druk vervolgens op **OK/>** om informatie over de verbinding op te roepen zoals Interface, Adrestype, IP adres, enz..

De PC bladeren via Delen & Bekijken

Als u foto's, video's of muziekbestanden hebt die opgeslagen zijn op een computer die via een thuisnetwerk is verbonden, kunt u uw bestanden op uw TV afspelen.

Aansluiten op uw PC

Zorg ervoor om eerst een bekabelde of draadloze verbinding vanaf uw TV naar een router tot stand te brengen. Verbind vervolgens uw PC via een netwerkkabel of draadloos met uw router.

Zorg er ook voor dat "**SETUP > Network > Settings > Internet Connection**" (Instelling > Netwerk > Instellingen > Internetconnectie) op "**On**" is ingesteld en de firewall van uw computer niet de verbinding zal blokkeren.

Delen & Bekijken-functie inschakelen

Selecteer "**SETUP > Network > Applications > Share & See**" (Instelling > Netwerk > Applicaties > Delen & Bekijken) en stel deze op "**On**" in.

Volg de stappen op die hierna opgegeven zijn.

Media van uw PC voor het delen toevoegen

Installeer een Delen & Bekijken-mediaserver op uw PC. Een eenvoudige en vertrouwde server die u kunt installeren, is Microsoft Windows Media Player 11. Zorg ervoor dat uw TV geautoriseerd is om de betreffende bestanden op uw PC te delen.

1. Open Microsoft Windows Media Player 11.
 - Selecteer **Library > Media sharing** (Bibliotheek > Media delen).
 - Schakel het selectievakje **Share my media to** (Mijn media delen naar) in.
 - Selecteer het pictogram van het TV-toestel die op uw PC is aangesloten.
 - Selecteer **Allow** (Toestaan) om het TV-toestel toegang tot uw PC toe te staan en selecteer **OK** om uw

toestemming in te schakelen.

*Opmerking: Gebruik de **Settings** (Instellingen) knop om de gewenste instellingen aan te passen.*

2.
 - Selecteer **Library > Add to Library** (Bibliotheek > Toevoegen aan bibliotheek).
 - Selecteer uw persoonlijke mappen of mappen van andere gebruikers die u voor het delen kunt benaderen.
 - Selecteer **Add** (Toevoegen) en druk op **OK** om het toevoegen mogelijk te maken.

Delen & Bekijken-toepassing

Selecteer "**MEDIA**" (Media) in het hoofdmenu en druk op "**OK**" om het mediacentrum te openen. Vervolgens kunt u foto's bekijken, naar muziek luisteren of naar video's kijken die op uw PC zijn opgeslagen.

Smart TV

Hiermee kunt u van internetapplicaties (Apps) genieten, speciaal aangepaste internetwebsites voor uw TV. U kunt de Apps met de afstandsbediening van de TV bedienen.

Waarschuwing:

- Configureer de netwerkinstelling voor het gebruik van **Smart TV**.
- Langzame reacties en/of onderbrekingen kunnen optreden, afhankelijk van uw netwerkcondities.
- Indien u een probleem heeft bij het gebruik van een applicatie, neemt u dan contact op met de inhoudsleverancier.
- Naar gelang de omstandigheden van de inhoudsleverancier kan het bijwerken van een applicatie of de applicatie zelf worden gestaakt.
- Afhankelijk van de geldende voorschriften in uw land, kunnen sommige applicaties beperkte service hebben die al dan niet worden ondersteund.

Toegang tot Smart TV applicaties (Apps)

1. Selecteer "**SMART TV**" (Smart TV) in het hoofdmenu en druk op "**OK**" om de startpagina van Smart TV weer te geven.

Snelbediening: Druk op "**SMART TV**" (Smart TV) op de afstandsbediening om direct de startpagina van Smart TV weer te geven.

2. Gebruik "**^/V/</>**" om een App te selecteren en druk op "**OK**" om te openen.

HbbTV

Sommige omroepen van digitale kanalen bieden interactieve HbbTV (Hybrid Broadcast Broadband TV).

In HbbTV combineren tv-zenders hun normale programma's met allerlei informatie en vermaak. U kunt op interactieve wijze door deze informatie bladeren.

Om volop van HbbTV te genieten, moet u uw TV met het Internet verbinden.

Opmerking: U kunt met deze functie geen bestanden naar uw TV downloaden.

Toegang tot HbbTV

Wanneer u op een TV-zender met HbbTV afstelt, moet u op de rode knop drukken om de interactieve pagina's te openen. Gebruik vervolgens "**^/V/</>**" om in de HbbTV-pagina's te navigeren en druk vervolgens op "**OK**" om te bevestigen.

Opmerkingen voor wachtwoord- en ouderslotfuncties:

- *Standaard wachtwoord is 1234. Gebruiker kan het in een nieuw wachtwoord veranderen.*
- *Het superwachtwoord is 0423. Als u uw code bent vergeten, kunt u het superwachtwoord invoeren om bestaande codes te overschrijven.*

Schermmresolutie:

- 1920 x 1080

Contact opnemen met IKEA

Als u vragen over uw nieuwe UPPEVA TV of geluidssysteem hebt of service of ondersteuning nodig hebt, neem contact op met IKEA Customer Service op www.ikea.com.

Om ervoor te zorgen dat wij u de best mogelijke hulp kunnen bieden, lees de handleiding zorgvuldig door alvorens met ons contact op te nemen. En zorg ervoor het artikelnummer van uw aankoop bij de hand te hebben wanneer u belt. U kunt dit 8-cijferige artikelnummer op uw aankoopbewijs of op de achterkant van uw UPPEVA TV of geluidssysteem vinden.

Viktig informasjon

Sikkerhet

Kontroller at spenningen på strømmettet der du bor, stemmer overens med den som er oppgitt på identifikasjonsmerket på baksiden av apparatet. Når nettstøpselet eller en apparatkobling brukes som frakoblingsenhet, må frakoblingsenheten alltid være tilgjengelig og klar til bruk.

På enkelte modeller er indikatorlampen plassert på siden av TV-apparatet. Manglende lysindikasjon på fronten betyr ikke at TV-apparatet er helt frakoblet strømmettet. Nettstøpselet må trekkes ut for å koble fra TV-apparatet helt.

TV-apparatets komponenter er ømfintlige for varme. **Romtemperaturen** skal ikke overstige 35 °C. Dekk ikke til luftehullene bak eller på siden av TV-apparatet. Sett av tilstrekkelig plass til god ventilasjon rundt apparatet. Installer ikke apparatet i nærheten av varmekilder (f.eks. peis) eller apparater som genererer sterke magnetiske eller elektriske felt.

Luftfuktigheten i rommet skal ikke overstige 85 prosent. **Apparatet skal ikke utsettes for søl eller sprut, og beholdere fylt med væske**, som blomstervaser, skal ikke plasseres på apparatet. Hvis TV-apparatet flyttes fra et kaldt til et varmt sted, kan det oppstå kondens på skjermen (og på enkelte komponenter inne i apparatet). La kondensen fordampe før du slår på TV-apparatet igjen.



ADVARSEL

For å forhindre brann skal stearinlys og annen åpen ild alltid holdes unna produktet.

Knappen \odot eller **POWER**/ \odot på TV-apparatet eller \odot -knappen på fjernkontrollen kan brukes til å slå på apparatet og sette det i hvilemodus. **Hvis du ikke skal se på TV på lang tid**, slår du apparatet helt av ved å trekke ut støpselet fra stikkkontakten.

I **tordenværanbefaler** vi at du kobler TV-apparatet fra strømmettet og antennen, slik at det ikke tar skade av eventuelle elektriske eller elektromagnetiske utladninger. Derfor skal **stikkkontakten og antennekontakten** være tilgjengelige, slik at apparatet kan **frakobles** om nødvendig.

Koble fra TV-apparatet øyeblikkelig hvis du oppdager at det **lukter brent** eller **røyk**. Du skal aldri, under noen omstendighet, åpne TV-apparatet selv. Det kan medføre risiko for **elektrisk støt**.

TV-skjermen

TV-skjermen på dette produktet er i glass. Hvis produktet faller i gulvet eller blir utsatt for støt fra andre objekter, kan skjermen knuses.

TV-skjermen er et avansert høyteknologisk produkt som gir svært detaljerte bilder. Det kan dukke opp enkelte ikke-aktive bildepunkter i form av blå, grønne eller røde punkter på skjermen. Dette går ikke ut over produktets funksjon.

Vedlikehold

Rengjør skjermen med et rengjøringsmiddel for glass og resten av apparatet med en myk klut og et mildt vaskemiddel.

Viktig: Sterke vaskemidler, alkoholbaserte produkter og slipemidler kan skade skjermen.

Tørk regelmessig støv av luftehullene bak og på sidene. Løsemidler, slipemidler og alkoholbaserte produkter kan skade TV-apparatet. Hvis et objekt eller en væske kommer inn i apparatet, skal det kobles fra øyeblikkelig og kontrolleres av en autorisert tekniker. Åpne aldri apparatet selv. Det kan medføre personskaade eller skade på apparatet.

Henge TV-apparatet på veggen

ADVARSEL: Denne operasjonen krever to personer.

Følgende forsiktighetsregler må overholdes ved montering:

- Kontroller at veggen tåler vekten av TV-apparatet og veggfestet.
- Følg monteringsinstruksene som følger med veggfestet. For enkelte modeller må du huske å skru de sekskantede VESA-skrueboltene (og skruene) som følger med apparatet, inn i mutterne til veggfestet på baksiden av apparatet, før du monterer det på veggen.
- TV-apparatet må monteres på en loddrett vegg.
- Bruk skruer som egner seg for veggmaterialet.
- Sørg for å plassere TV-apparatets ledninger slik at det ikke er risiko for å snuble i dem.

Alle andre sikkerhetsinstrukser for TV-apparatet gjelder også her.

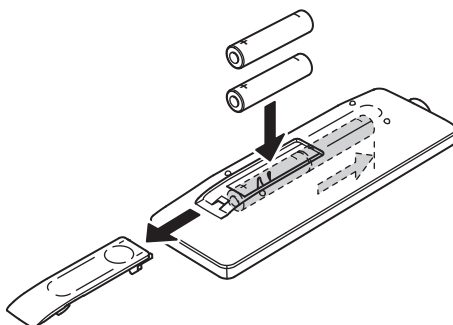
Håndtere TV-apparatet på bordet

Før du plasserer TV-apparatet, må du forsikre deg om at overflaten du vil sette det på, tåler vekten av det.

Plasser ikke TV-apparatet på en ustabil overflate (f.eks. bevegelig hylle eller på kanten av et møbel), og pass på at fronten på TV-apparatet ikke stikker ut fra overflaten det står på.

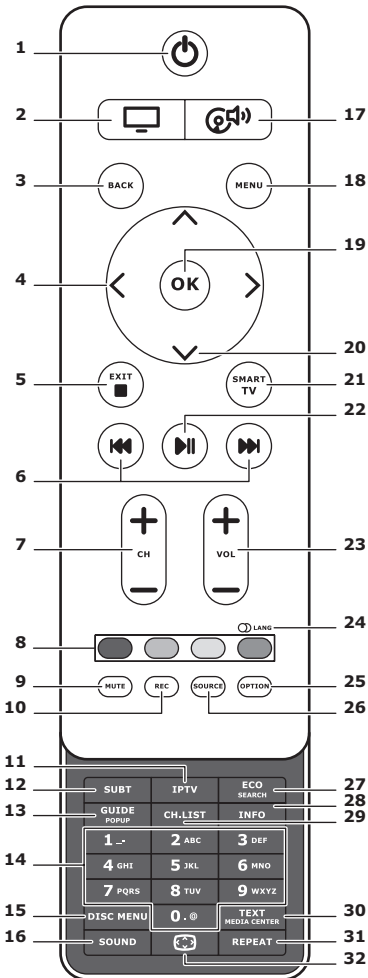


Dette produktet er designet og produsert med gjenvinnbare og gjenbrukbare materialer og komponenter av høy kvalitet. Dette symbolet betyr at elektrisk og elektronisk (EE) avfall ikke skal kastes i husholdningsavfallet, men leveres inn som EE-avfall for å unngå negative konsekvenser for helse og miljø. EE-avfall skal leveres tilbake til forhandler eller til miljøstasjoner og gjenbruksstasjoner i din kommune. For å finne miljøstasjoner og gjenbruksstasjoner i din kommune, se sortere.no Hjelp oss å ta vare på miljøet!



Fjernkontrollfunksjoner

De fleste av TV-ens funksjoner er tilgjengelige via menyen som vises på skjermen. Fjernkontrollen som følger med TV-en, kan brukes til å navigere i menyene og velge alle de grunnleggende innstillingene.



1. Aktivere/deaktivere hvilemodus.
2. For å bruke fjernkontrollen til å betjene TV-en.
3. **BACK**
For å gå tilbake til forrige meny.
For å gå tilbake til forrige kanal..
4. **<>**
For å navigere i menyene.
For å angi funksjoner eller endre verdier.
> Kan også brukes til å åpne den aktuelle undermenyen.
5. **EXIT/■**
For å gå ut av menystrukturen eller tekst-TV, for å gå ut av enkelte funksjoner.
6. **⏮**
For å spole forover eller bakover (trykk og hold inne i Medier-funksjonen) og gå til forrige eller neste bilde, lydfil eller videofil.
7. **CH+/-**
For å bytte kanal.
8. **Fargeknapper**
For å velge oppgaver eller tekst-TV-sider. Den røde knappen kan også brukes for MHEG-funksjonen.
9. **MUTE**
For å slå lyden av og på igjen.
10. **REC**
For å spille inn programmer.
11. **IPTV**
Ingen funksjon.

12. SUBT

For å velge et tekstspråk tilgjengelig for det valgte digitale TV-programmet.

13. GUIDE

For å slå den elektroniske programoversikten (EPG) på eller av (kun tilgjengelig for digitale kanaler)..

14. 0-9

For å angi kanalnumre.
For å legge inn en bokstav, et tall eller et symbol i enkelte funksjoner..

15. DISK MENU

Ingen funksjon.

16. SOUND

For å velge en forhåndsdefinert lydmodus.

17. 

For å bruke fjernkontrollen til å betjene lydsystemet.

18. MENU

For å åpnehovedmenyen.
For å åpne eller gå ut av det virtuelle tastaturet i SMART-TV-funksjonen.

19. OK

For å bekrefte en angivelse eller et valg.
For å fryse / oppheve frysing av et bilde i digital-TV-modus.

20.  

For å navigere i menyene.
For å velge menyalternativer;

21. SMART-TV

For å vise SMART-TV-hjemmesiden.

22. 

For å spille av / sette i pause.

23. VOL+ /-

For å regulere lydstyrken.

24.  LANG

For å velge en lydtype tilgjengelig for det valgte analoge TV-programmet.
For å velge et lydpråk tilgjengelig for det valgte digitale TV-programmet.

25. OPTION

For å velge funksjonsmenyen. For å utføre visse operasjoner. For å velge tekst-TV-siden i ulike moduser..

26. SOURCE

For å velge tilkoblede enheter.

27. ECO

For å velge ønsket strømsparingsmodus.

28. INFO

For å vise tilgjengelig programinformasjon.

29. CH.LIST

For å visekanal-listen

30. TEXT/MEDIA CENTER

For å slå tekst-TV på eller av..

31. REPEAT

Ingen funksjon.

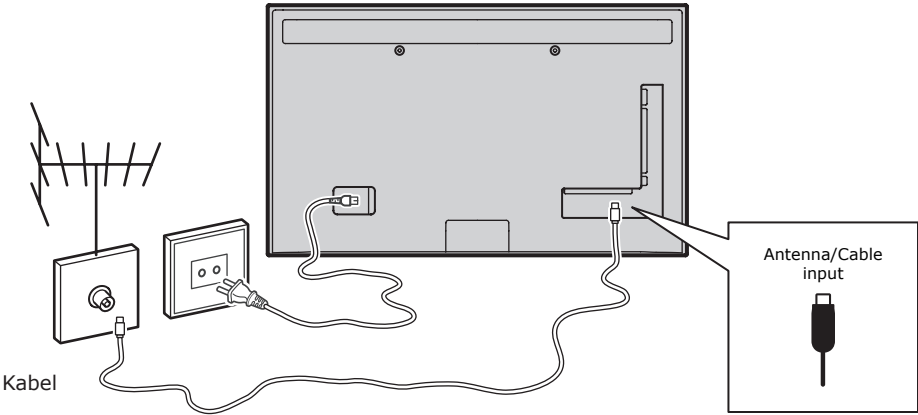
32. 

For å velge bildeformat.
Merk: Vi anbefaler å bruke fullskjermmodus. Bruk ikke visningsmodus med svarte felter på begge sider av bildet (f.eks. 4:3) over lengre tid. Det kan medføre permanent skade på TV-skjermen.

Koble til strøm og antenne

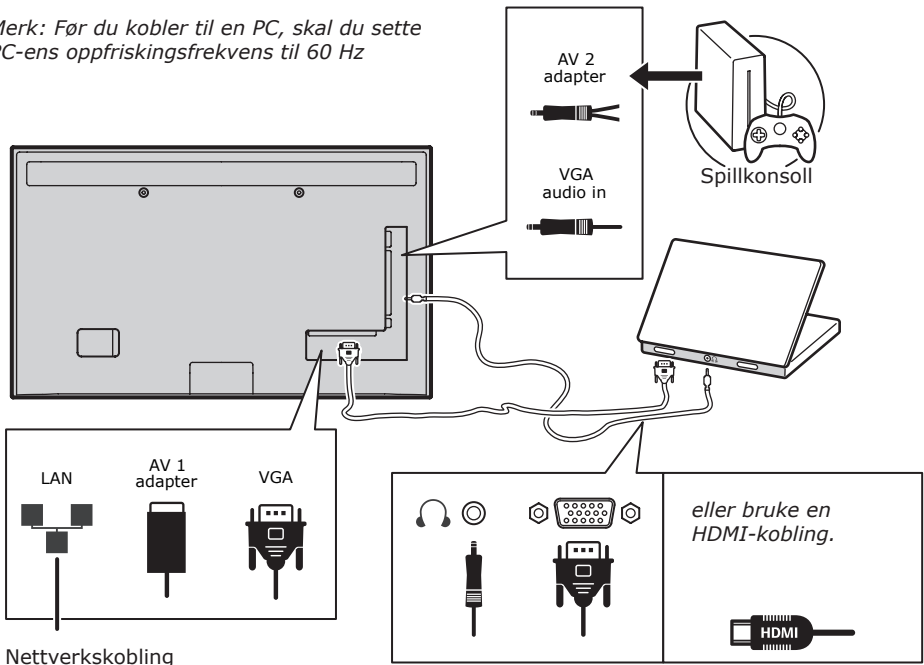
For å slå på TV-en etter at strømledningen er koblet til: Trykk på ψ eller **POWER**/ ψ .

Merk: Strømkontaktens plassering varierer avhengig av TV-modellen. På noen modeller må du slå på strømbryteren først.

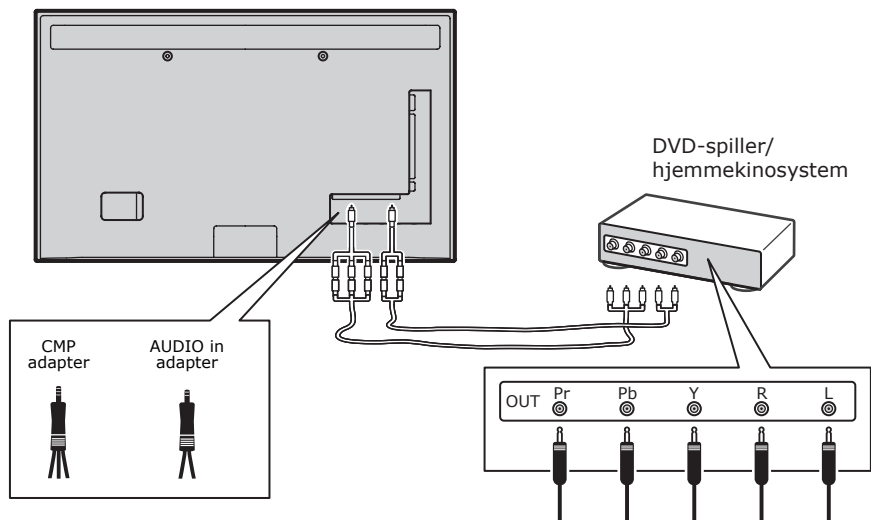


Spillkonsoll, PC

Merk: Før du kobler til en PC, skal du sette PC-ens oppfriskingsfrekvens til 60 Hz



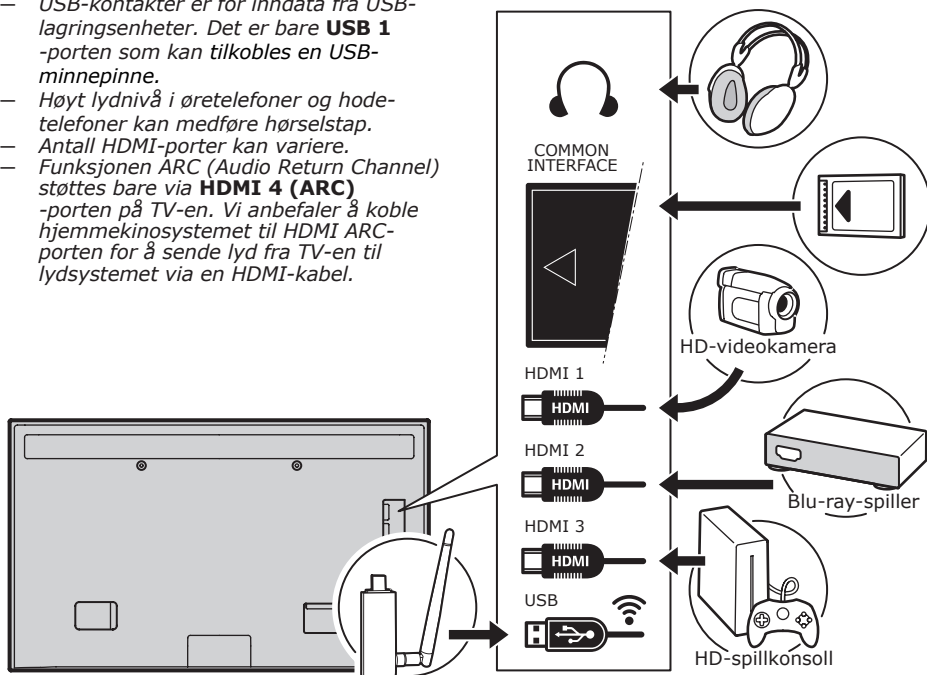
DVD-spiller, hjemmekinosystem



Blu-ray-spiller, hodetelefoner, HD-spillkonsoll & HD-videokamera

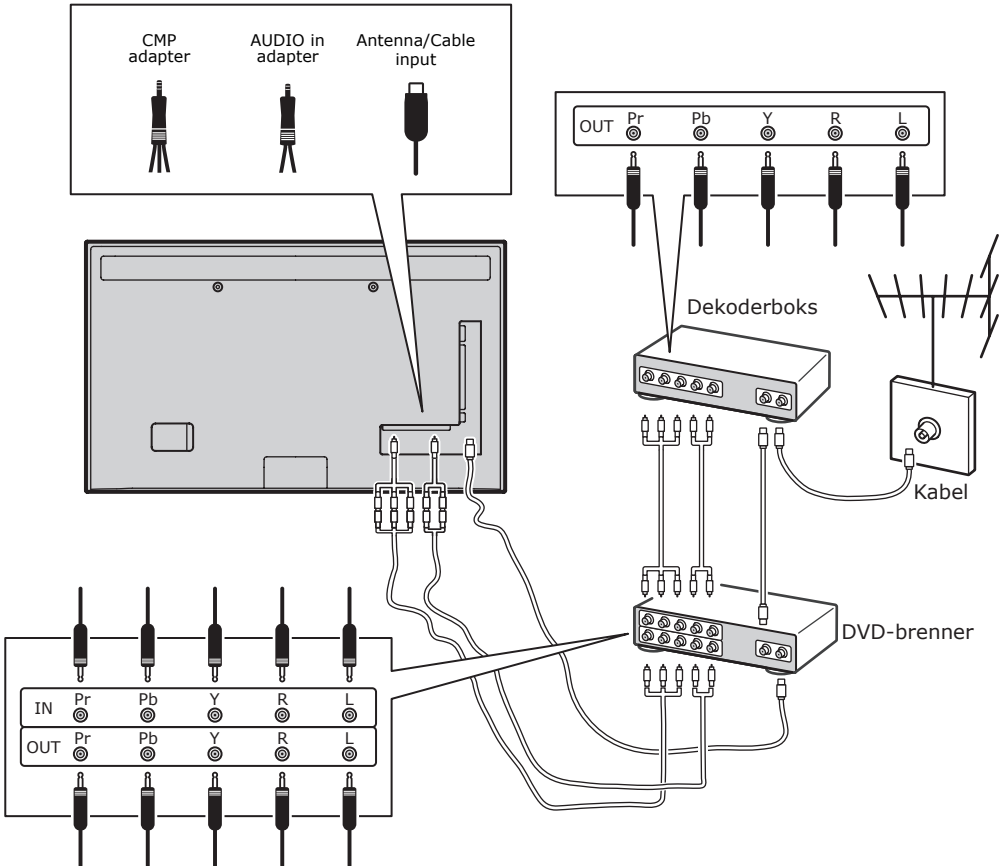
Merk:

- USB-kontakter er for inndata fra USB-lagringsenheter. Det er bare **USB 1**-porten som kan tilkobles en USB-minnepinne.
- Høyt lydnivå i øretelefoner og hodetelefoner kan medføre hørselstap.
- Antall HDMI-porter kan variere.
- Funksjonen ARC (Audio Return Channel) støttes bare via **HDMI 4 (ARC)**-porten på TV-en. Vi anbefaler å koble hjemmekinosystemet til HDMI ARC-porten for å sende lyd fra TV-en til lydsystemet via en HDMI-kabel.



DVD-spiller, kabelmottaker

Merk:
Koble fra strømledningen før du kobler til enheter.



Merk:

- Disse skissene er kun til illustrasjonsformål. Din modell kan se annerledes ut og har ikke nødvendigvis alle tilkoblingene som er vist her.
- Strømkontaktens plassering på TV-en kan variere avhengig av modellen.
- Plasseringen av og navnene på funksjonsknappene og tilkoblingene på TV-en kan variere avhengig av modellen.

Viktig:

Hvis du ikke skal bruke fjernkontrollen på lang tid, ta ut batteriene, og oppbevar dem på hensiktsmessig vis. Batterier som er ødelagte eller lekkere, skal håndteres forsiktig. Hvis fjernkontrollen har to batterier, skal du ikke kombinere nye og gamle batterier. Batterier skal ikke eksponeres for høy varme i form av solskinn, varmekilder eller liknende. Eksplosjonsfare hvis batteriet settes inn feil. Bruk bare samme eller tilsvarende type anbefalt av produsenten. Brukte batterier skal leveres tilbake til forhandler eller til miljøstasjoner og gjenbruksstasjoner i din kommune. Hvis batteriene i fjernkontrollen er utladet, kan du bruke knappene på TV-en. I TV-modus har knappene de samme funksjonene som de tilsvarende knappene på fjernkontrollen. I menyene har de følgende funksjoner:

CH ^	^
CH v	v
VOL >	>
VOL <	<
MENU/☰	MENU
OK/↵	OK

Slå TV-en på og av

- Når TV-en kobles til stikkontakten, blir den slått på eller satt i hvilemodus. Hvis TV-en er i hvilemodus: Trykk på knappen **⏻** eller **POWER/⏻** på TV-en eller **⏻** på-knappen på fjernkontrollen for å slå den på.
- For å sette TV-en i hvilemodus: Trykk på knappen **⏻** eller **POWER/⏻** på TV-en eller **⏻** på-knappen på fjernkontrollen. Det er fremdeles strøm på TV-en, men den forbruker lite.
- Trekk støpselet ut av stikkontakten for å slå av TV-en.

(*På noen modeller må du slå på strømbryteren først.)

Klargjøring

Klargjøringen omfatter å velge alle de nødvendige innstillingene for å kunne søke etter og lagre alle de analoge og digitale kanalene du kan motta.

Kontroller at TV-en er slått på, og utfør samtlige av de følgende punktene i oppgitt rekkefølge.

Merk: Hvis kanalsøket bare finner analoge kanaler, kan årsaken være svake TV-signaler, og dette dekkes ikke av produsentens garanti. Produsenten kan ikke holdes ansvarlig for manglende eller svake TV-signaler i visse områder.

Første gang du slår på TV-en, åpnes veiviseren **Klargjøring**, som veileder deg gjennom klargjøringsprosessen. (Se figur 1.) Trykk på **OK** for å starte klargjøringen.

- Trykk på **^/v** for å velge språk, og deretter på **OK/>** for å gå til neste punkt.
- Trykk på **^/v** for å velge land, og deretter på **OK/>** for å gå til neste punkt.

*Merk: Hvis du velger **Frankrike**, må du gå inn i menyen **Innstilling av passord** for å angi et passord. Bruk tall -knappene til å legge inn et firesifret tall som passord. (0000 er for enkelt til å bli angitt som passord.) Tast inn samme kode på nytt for å bekrefte passordet. Deretter går du automatisk videre til neste punkt. (På dette punktet kan du bare trykke på **BACK** for å gå tilbake til forrige punkt.)*

- Trykk på **^/v** for å velge tunermodus **Antenne** eller **Kabel** eller **Satellitt**.
(Merk: På enkelte modeller kan dette alternativet være utilgjengelig.)
 - Velg **Antenne**.
 - Trykk på **OK/>** for å bekrefte.
 - Velg **Digital & Analog**, **Digital** eller **Analog**, og trykk på **OK/>**.
 - Trykk på **^/v** for å velge **Søk**, og trykk på **OK/>** for å starte det automatiske søket etter samtlige digitale og/eller analoge DVB-T-kanaler.
 - Velg **Kabel**.
 - Trykk på **OK/>** for å bekrefte.
 - Velg **Digital & Analog**, **Digital** eller **Analog**, og trykk på **OK/>**.
 - Trykk på **^/v** for å velge **Søk**, og trykk på **OK/>** for å starte klargjøringen direkte eller gå til punktet nedenfor.
 - Velg **Full** om tilgjengelig for å søke etter og lagre samtlige digitale og analoge DVB-C-kanaler.
 - Du kan velge en annen tilgjengelig avansert søkemodus (f.eks. **Avansert**) og deretter angi riktig kabelinformasjon som beskrevet nedenfor. Bruk tall -knappene

til å justere verdiene for frekvens, symbolhastighet og nettverks-ID. Bruk </> til å velge en modulasjonsmodus.

- Trykk på **OK** for å starte klargjøringen av digitale og analoge DVB-C-kanaler.

Merk: For noen modeller er dette valget ikke tilgjengelig.

– Velg **Satellitt**.

- Trykk på **OK/>** for å bekrefte.
- Trykk på **^/V** for å velge **Søk**, og trykk på **OK/>** for å gå til neste punkt og angi riktig informasjon for satellitt og antenne.
- Trykk på **OK** for å starte klargjøringen av samtlige satellittkanaler.

Merk: Vent på meldingen om at oppsettet er fullført, slik at du unngår at kanaloppsettprosessen blir avbrutt.

4. Før søket begynner, kan du også velge **Hopp over søk** for å hoppe over klargjøringsprosessen.
5. I løpet av oppsettet kan du følge instruksene nederst på skjermen og gå tilbake til forrige punkt ved å trykke på **BACK**, eller på **EXIT** for å gå ut av eller avbryte søket.
6. Når det automatiske søket er fullført, går TV-en automatisk videre til neste punkt. Trykk på **^/V** for å velge sted **Fabrikk** eller **Hjemme**. Trykk på **OK/>** for å bekrefte valget, og gå videre til neste punkt.
7.
 - På dette punktet kan du trykke på **OK** for å gå ut av klargjøringen. Kanalene er organisert i en forhåndsdefinert rekkefølge. Hvis du vil hoppe over kanaler, endre den forhåndsdefinerte rekkefølgen eller endre navn på kanaler: Velg **OPPSETT > Organiser**, og trykk på **OK/>** for å bekrefte.
 - På dette punktet kan du også trykke på **BACK** for å gå tilbake til forrige punkt.

Installere kanaler automatisk

Dette avsnittet beskriver hvordan du søker etter og lagrer kanaler automatisk. Instruksene gjelder for både analoge og digitale kanaler.

1. Trykk på **MENU** på fjernkontrollen, og velg **OPPSETT > Språk > Menyspråk**. Trykk på </> for å velge det menyspråket du ønsker.
2. Trykk på **BACK** for å gå tilbake til **OPPSETT**, og trykk på **^/V** for å velge **Land**, og trykk på

</> for å velge ditt land. TV-en installerer og organiserer kanalene i henhold til ditt land.

3. Trykk på **^/V** for å velge **Tunermodus**, og trykk på </> for å velge **Antenne**, **Kabel** eller **Satellitt**.

(På enkelte modeller kan dette alternativet være utilgjengelig.)

– Velg **Antenne**.

- Trykk på **^/V** for å velge **Kanalinstallasjon**, og trykk på **OK/>** for å bekrefte.
- Velg **Automatisk søk** (se figur 2), og trykk på **OK/>** for å vise **Automatisk søk**.
- Trykk på **OK** for å hoppe over landsvalget og gå videre til neste punkt, eller bruk </> til å velge land på nytt, og trykk deretter på **OK** for å bekrefte.
- Velg **Digital & Analog**, **Digital** eller **Analog**, og trykk på **OK/>** for å starte det automatiske søket etter digitale og/eller analoge DVB-T-kanaler.
 - Velg **Kabel**.
 - Trykk på **^/V** for å velge **Kanalinstallasjon**, og trykk på **OK/>** for å bekrefte.
 - Velg **Automatisk søk**, og trykk på **OK/>** for å vise **Automatisk søk**.
 - Trykk på **OK** for å hoppe over landsvalget og gå videre til neste punkt, eller bruk </> til å velge land på nytt, og trykk deretter på **OK** for å bekrefte.
 - Velg **Digital & Analog**, og trykk på **OK/>** for å bekrefte. Velg søkemodus om tilgjengelig, og angi riktig kabelinformasjon på samme måte som i Klargjøring. Velg **Søk**, og trykk på **OK/>** for å starte det automatiske søket etter digitale og analoge DVB-C-kanaler.
 - Velg **Digital**, og følg samme fremgangsmåte som ovenfor, for å starte det automatiske søket etter digitale DVB-C-kanaler.
 - Velg **Analog**, og trykk på **OK/>** for å starte det automatiske søket etter analoge kanaler.
 - Velg **Satellitt**.

Merk: For noen modeller er dette valget ikke tilgjengelig.

- Trykk på **^/V** for å velge **Satellittoppsett**, og trykk på **OK/>** for å bekrefte.
- Trykk på **^/V** for å velge riktig satellitt, eller legg til nye satellitter om nødvendig.

Trykk på **OK** for å bekrefte og angi informasjon for satellitt og antenne.

- Velg **OPPSETT > Kanalinstallasjon > Automatisk søk**, og trykk på **OK/>** for å bekrefte.
- Velg **Landog bruk </>** til å velge ønsket land om nødvendig.
- Velg **Satellittuning**, og trykk på **OK/>** for å vise **SATELLITTUNING**-menyen. Angi riktig informasjon. Velg **Søk**, og trykk på **OK/>** for å starte klargjøringen av samtlige satellittkanaler.

Merk: For noen modeller er dette valget ikke tilgjengelig.

4. Søket kan ta noen minutter. I løpet av prosessen kan du trykke på **EXIT** for å avbryte.
5. Når det automatiske søket er fullført, trykker du på **BACK** for å gå tilbake til forrige punkt eller på **OK** for å starte kanalsøket på nytt.
6. Etter det automatiske søket er kanalene organisert i en forhåndsdefinert rekkefølge. Du kan hoppe over kanaler, endre den forhåndsdefinerte rekkefølgen eller endre navn på kanaler.

Bruke TV-en Velge kanaler

Bruke tall -knappene: Trykk på tall -knappene for å velge kanal.

Bruke CH+/- eller CH \wedge /V -knappene: til å bla gjennom kanalene.

Vise tilkoblede enheter

Trykk gjentatte ganger på **SOURCE** på fjernkontrollen eller på **OK** på TV-en for å bytte mellom TV og andre signalkilder. For å vise TV igjen: Trykk på tall -knappene for å vise kanalene, eller på **CH+/-** for å bla gjennom TV-kanalene og andre signalkilder.

*Merk: Enkelte modeller har ingen **OK**-knapp på TV-en.*

Volum

Volumkontroll: Bruk **VOL</>** -knappene på TV-en eller **VOL+/-** -knappene på fjernkontrollen for å øke eller redusere lydstyrken.

Dempe lyd: Trykk på **MUTE** -knappen for å slå av lyden midlertidig. Trykk på denne knappen på nytt eller på **VOL+** -knappen for å slå lyden på igjen.

Bruke TV-menyer

1. Trykk på **MENU** for å vise hovedmenyen. (Se figur 3.)
 2. Trykk på **\wedge /V/</>** for å velge ønsket element, og deretter på **OK** for å åpne tilhørende undermeny.
 3. I undermenyene bruker du **\wedge /V** til å velge menyalternativer og **</>** til å angi funksjoner eller endre verdier. Bruk **OK** til å aktivere en innstilling. Bruk **OK/>** til å åpne tilhørende undermeny.
 4. Trykk på **BACK** for å gå tilbake til forrige meny.
 5. Trykk på **EXIT** for å lukke menyen.
- Merk: Enkelte alternativer kan være utilgjengelige for visse signalkilder.*

Velge menyspråk

Du kan velge menyspråk ved å følge fremgangsmåten nedenfor.

1. Trykk på **MENU** for å vise hovedmenyen.
2. Trykk på **\wedge /V/</>** for å velge **OPPSETT**, og trykk på **OK** for å bekrefte.
3. Velg **Språk**, og trykk på **OK/>** for å bekrefte.
4. Velg **Menyspråk**, og trykk på **</>** for å velge ønsket menyspråk.
5. Trykk på **EXIT** for å lukke menyen.

Bruke mer av TV-en

Sette opp yndlingskanaler

Du kan lage en liste med de TV-kanalene du liker best.

1. Trykk på **CH.LIST**.
2. Trykk på den gule knappen for å gå inn i **KANAL LI STEVALG**. Trykk på **\wedge /V** for å velge listen over yndlingskanaler, og trykk på **OK** for å bekrefte.
3. Trykk på den blå knappen for å redigere listen over yndlingskanaler. Trykk på **\wedge /V** for å rulle gjennom kanallisten, og på **OK** for å legge til eller fjerne kanalen.
4. Gjenta fremgangsmåten for å sette opp andre yndlingskanaler.
5. Trykk på **CH.LIST/EXIT** for å gå ut.

Strømsparing

1. Trykk på **MENU** på fjernkontrollen, og velg **BILDE > Miljøinnstillinger > Strømsparing**.
2. Trykk på **</>** for å velge strømsparingsmodus og oppnå ønsket

strømsparingseffekt.

- Trykk på **EXIT** for å lukke menyen.

Bruk av snarveier Trykk på **ECO** på fjernkontrollen for å velge ønsket strømsparingsmodus direkte.

PAP-funksjon

For å vise bilder fra ulike signalkilder side ved side. Legg merke til at ett vindu er for både analoge og digitale TV-signaler, mens det andre er for VGA-, HDMI- og CMP-signaler. (Merk: ikke tilgjengelig for AV-Scart i begge vinduer.)

- Trykk på **MENU** for å vise hovedmenyen.
- Velg **PAP**, og trykk på **OK** for å bekrefte.
- Velg alternativet **PAP**, og trykk på **</>** for å aktivere eller deaktivere PAP-funksjonen.
- Velg **TV-posisjon**, og trykk på **</>** for å flytte TV-vinduet.
- Trykk på **</>** for å bytte fokusvinduet.
- Når fokuset er på TV-vinduet, fungerer tall -knappene og **CH+/-** i TV-modus. Når fokuset er på det andre vinduet, bytter **CH+/-** mellom tilgjengelige eksterne kilder.

Bruke teksting

Du kan aktivere teksting for hver TV-kanal. Teksting sendes via tekst-TV eller DVB-T/ DVB-C-sendinger. Med digitale sendinger kan du også velge ønsket tekstspråk.

Aktivere/deaktivere tekst

- Trykk på **MENU** på fjernkontrollen, og velg **ALTERNATIVER > Tekst**.
- Trykk på **OK/>** for å bekrefte. (Se figur 4.)
- Velg alternativet **Tekst**, og trykk på **</>** for å velge **På/Av** for å aktivere/deaktivere tekst.

Aktivere tekstspråk på digitale TV-kanaler

- Trykk på **MENU** på fjernkontrollen, og velg **ALTERNATIVER > Tekst > Digitalt tekstspråk**.
- Trykk på **</>** for å velge et foretrukket tekstspråk.
- Trykk på **^/V** for å velge **Sekundært digitalt tekstspråk**.
- Trykk på **</>** for å velge et sekundært tekstspråk.
- Trykk på **EXIT** for å lukke menyen.

Bruk av snarveier: Trykk på **SUBT** på fjernkontrollen for å velge et tekstspråk tilgjengelig for det valgte digitale TV-programmet direkte.

Velge teksttype for digitale TV-kanaler

- Trykk på **MENU** på fjernkontrollen, og velg **ALTERNATIVER > Tekst > Teksttype**
- Trykk på **</>** for å velge en teksttype. Du kan velge **For hørselshemmede** for å vise tekst for hørselshemmede på det valgte språket.

Velge dekodingsidespråk i tekst-TV

Trykk på **MENU** på fjernkontrollen, og velg **ALTERNATIVER > Tekst-TV > dekodingsidespråk**. Velg riktig type språk for visning av tekst-TV.

Språk for digital tekst-TV

For digitale TV-kanaler kan TV-en motta en tjeneste med tekst-TV-hjemmesider på flere språk. Denne funksjonen gjør det mulig å velge et tilgjengelig språk som primærspråk for ulike tekst-TV-hjemmesider.

Trykk på **MENU** på fjernkontrollen, og velg **ALTERNATIVER > tekst-TV > Språk for digital tekst-TV**. Trykk på **</>** for å velge.

SPDIF-type

Koble til en lydenhet via **SPDIF** -utgangen. Trykk på **MENU** på fjernkontrollen, og velg **ALTERNATIVER > SPDIF-type**. Velg riktig lydtype fra listen over digitale programmer.

- Hvis det aktuelle programmet overfører lyd i **Dolby D** -format, kan du velge enten **PCM** eller **Dolby D**.
- Hvis det aktuelle programmet ikke overfører lyd i **Dolby D** -format, må du velge **PCM**. Hvis ikke, blir det ikke overført noe lyd.
- Velg **Av** for å deaktivere lydoverføringen fra lydenheten koblet til **SPDIF** -utgangen.

*Merk: Alternativene du kan velge, avhenger av programmet du ser på. Hvis du velger **PCM** og lyden ligger foran bildet i tid, kan du velge **SPDIF-forsinkelse i ALTERNATIVER***

*-menyen og trykke på **</>** for å justere forsinkelsen og synkronisere lyden med bildet.*

T-Link

For å søke etter CEC-enheter koblet til HDMI-portene på TV-en og aktivere avspilling og hvilemodus mellom CEC-enheter med ett tastetrykk.

Aktivere eller deaktivere T-Link

1. Trykk på **MENU** på fjernkontrollen, og velg **ALTERNATIVER > T-Link**.
2. Trykk på **</>** for å velge **På** eller **Av**.

Bruke avspilling med ett tastetrykk

Når avspilling med ett tastetrykk er aktivert, og du trykker på avspillingsknappen på fjernkontrollen til for eksempel DVD-spillere, velger TV-en automatisk riktig kildesignal, i dette tilfellet fra DVD-spillere.

Bruke systemhvilemodus

Når systemhvilemodus er aktivert, og du trykker på ψ -knappen på for eksempel TV-ens fjernkontroll, settes TV-en og alle tilkoblede HDMI-enheter i hvilemodus.

Nettverksoppdatering

Trykk på **MENU** på fjernkontrollen, og velg **ALTERNATIVER >**

Nettverksoppdatering. Velg **På/Av** for å aktivere eller deaktivere funksjonen nettverksoppdatering.

- Når denne funksjonen er aktivert, oppdaterer TV-en kanalene automatisk hvis DTV-tjenesteleverandøren oppdaterer sitt DTV-nettverk.
- Når denne funksjonen er deaktivert, må du kjøre kanalsøk på nytt for å få nye kanaler eller fjerne utilgjengelige kanaler hvis DTV-tjenesteleverandøren legger til eller fjerner kanaler fra sitt DTV-nettverk.

Grensesnittmodul

Krypterte digitale TV-kanaler kan dekodes med en grensesnittmodul og et kort fra en digital-TV-operatør.

Grensesnittmodulen kan formidle flere digitale tjenester, avhengig av operatøren og tjenestene du velger (f.eks. betalings-TV). Ta kontakt med din digital-TV-operatør for mer informasjon om tjenester og betingelser.

Bruke grensesnittmodulen

ADVARSEL: Slå av TV-en før du setter inn en grensesnittmodul. Følg instruksene nedenfor. Hvis grensesnittmodulen blir satt inn feil, kan både modulen og TV-en ta skade.

1. Følg anvisningen som er trykket på grensesnittmodulen, og sett modulen forsiktig inn i sporet på TV-en.
2. Skyv modulen så langt inn som den går.
3. Slå på TV-en, og vent til grensesnittmodulen blir aktivert. Dette kan ta flere minutter.

Merk: Fjern ikke grensesnittmodulen fra sporet. Da blir de digitale tjenestene deaktivert.

Tilgang til grensesnittmodulen

Når grensesnittmodulen er satt inn og aktivert: Trykk på **MENU** på fjernkontrollen, og velg **ALTERNATIVER > Grensesnittmodul**.

Dette menyalternativet er tilgjengelig bare hvis grensesnittmodulen er riktig satt inn og aktivert. Skjermapplikasjoner og -innhold leveres av digital-TV-operatøren.

Programvareoppdatering

Trykk på **MENU** på fjernkontrollen, og velg **ALTERNATIVER > Programvareoppdatering**. Trykk på **OK/>** for å bekrefte.

- **Installert versjon:** Kontrollerer hvilken versjon av programvaren som er installert.
- **Produktnavn:** Viser TV-ens produktnavn.
- **Serienummer**(om tilgjengelig): Viser TV-ens serienummer.
- **Fra nettverk:** Gjør det mulig å laste ned og installere den nyeste tilgjengelige programvareversjonen fra Internett. Opprett først en kablet eller trådløs nettverksforbindelse, velg **Fra nettverk**, og trykk på **OK/>** for å bekrefte. Følg instruksene på skjermen for å fortsette.
Merk: Koble en USB-enhet til TV-en før du starter programvareoppdateringen.
- **Fra kanal:** Gjør det mulig å installere den nyeste tilgjengelige programvareversjonen. Velg **Fra kanal**, og trykk på **OK/>** for å bekrefte.
- Bruk **</>** til å velge **Ja** under **Automatisk nedlasting** for å laste ned den nyeste versjonen automatisk når

den blir tilgjengelig. Når programvaren er lastet ned, blir du spurt om du vil installere den med en gang. I så fall følger du instruksene på skjermen for å fullføre installasjonen. Du kan også velge å hoppe over installasjonen.

- Velg **Nei** under **Automatisk nedlasting** for å avvise den automatiske nedlastingen.
- Velg **Manuell nedlasting**, og trykk på **OK/>** for å starte et manuelt søk etter den nyeste programvaren. Følg instruksene på skjermen for å fullføre. I løpet av søket kan du trykke på **OK/EXIT** for å avbryte prosessen.

Bytte mellom Fabrikk- og Hjemme-modus

1. Trykk på **MENU** på fjernkontrollen, og velg **ALTERNATIVER > Sted**.
2. Trykk på **</>** for å velge sted **Fabrikk** eller **Hjemme**.
3. Trykk på **EXIT** for å gå ut.

*Merk: I samsvar med EUs kommisjonsforskrift 2009/125/EF blir TV-en satt i hvilemodus automatisk når Hjemme-modus er aktivert og TV-en ikke har mottatt inndata fra betjeningsenheter på fire timer. Denne funksjonen kan deaktiveres i **ALTERNATIVER** -menyen.*

MHEG-funksjon

Noen digitale TV-kringkastere (f.eks. BBC1) tilbyr egne digitale tekst- eller interaktive tjenester. Disse tjenestene fungerer som vanlig tekst-TV, men med tall-, farge- og navigasjonstaster.

1. Trykk på **MENU** på fjernkontrollen, og velg **ALTERNATIVER > Tekst > Tekst**.
2. Trykk på **</>** for å sette **Tekst** til **Av**.

*Merk: MHEG og tekst er gjensidig utelukkende funksjoner og kan ikke brukes samtidig på samme skjerm. Hvis **Tekst** er satt til **På**, kan MHEG ikke vises.*

3. Trykk på den røde knappen eller **TEXT** på fjernkontrollen.
4. Trykk på **^/V/</>** for å velge eller merke elementer.
5. Trykk på **OK** for å bekrefte eller aktivere.
6. Trykk på en av fargeknappene for å velge et alternativ.
7. Trykk på **TEXT** eller **EXIT** for å gå ut.

Vise bilder, spille av musikk og se video fra en USB-minnepinne

TV-en er utstyrt med en USB-port som gjør det mulig å vise bilder, lytte til musikk og spille av video som er lagret på en USB-lagringsenhet.

Støttede filformater:

Bilder JPEG

Musikk MP3

Video AVI, MP4, MPG, MPEG, TS, DIVX, MKV osv.

Merk: Enkelte USB-minnepinner og andre USB-produkter som digitalkameraer og mobiltelefoner, er ikke fullstendig kompatible med standarden USB 2.0 og fungerer derfor ikke nødvendigvis med TV-ens multimediespiller. Enkelte USB-minnepinner og andre USB-enheter er ikke kompatible med USB-funksjonen. Enkelte av formatene ovenfor støttes ikke. Filenes kodeformat avgjør om de kan brukes eller ikke.

Når en USB-enhet registreres, åpnes

MEDIER -menyen direkte. (**Alternativt:** Velg **MEDIER** i hovedmenyen, og trykk på **OK** for å bekrefte).

Bilder

For å vise tilgjengelige bilder.

1. Velg **MEDIER > BILDER**, og trykk på **OK** for å åpne rotmappetutforskeren.
2. I rotmappetutforskeren bruker du **^/V/</>** til å velge et bilde eller en undermappe.
3. Velg en undermappe, og trykk på **OK** for å åpne undermappetutforskeren.
4. Bruk **/</>** til å velge et bilde i enten rot- eller undermappetutforskeren, og trykk på **MENU** for å vise bildemenyen i mappemodus.
 - **Sortere:** Sortere mapper og bilder etter endringsdato eller navn.
 - **Redigere:** Kopiere, lime inn eller slette et valgt bilde.
 - **Parser:** Du kan velge **Rekursiv** for å vise bilder fra samtlige undermapper.
5. Velg et bilde, og trykk på **OK** for å åpne en lysbildefremvisning som begynner med det valgte bildet. Trykk på **||** for å sette lysbildefremvisningen i pause og rotere bildet som vises. Trykk på **MENU** for å vise bildemenyen i utforskermodus. Du kan spille av bildet, sette det i pause eller rotere det, velge ulike avspillingsmoduser og visningseffekter osv.

- Trykk på knappene på fjernkontrollen for å benytte de tilgjengelige funksjonene som vises på funksjonslinjen nederst på skjermen.

Musikk

For å spille av tilgjengelig musikk.

- Velg **MEDIER > MUSIKK**, og trykk på **OK** for å åpne rotmappeutforskeren.
- Bruk **^/√/⟨/⟩** til å velge en lydfil i enten rot- eller undermappeutforskeren på samme måte som i fotovisningsfunksjonen, og trykk på **MENU** for å vise musikkmenyen i mappemodus.
 - **Sortere:** Sortere mapper og lydfiler etter navn, sjanger, artist eller album.
 - **Redigere:** Kopiere, lime inn eller slette en valgt lydfil.
 - **Parser:** Du kan velge **Rekursiv** for å vise lydfiler fra samtlige undermapper.
- Velg en lydfil, og trykk på **OK** for å spille av, så starter avspillingen med den valgte lydfilen. Trykk på **MENU** for å vise musikkmenyen i utforskermodus. Du kan spille av lydfilen eller sette den i pause, velge ulike avspillingsmoduser osv.
 - **Vise tekst:** Dette alternativet er tilgjengelig for lydfiler med tekst. Velg alternativet, og bruk **⟨/⟩** til å aktivere/deaktivere synkronisert visning av tekst.
 - **Bare lyd:** Velg, og trykk på **OK** for å lytte til musikk med skjermen slått av. Trykk på en hvilken som helst tast for å slå skjermen på igjen.
- Trykk på knappene på fjernkontrollen for å benytte de tilgjengelige funksjonene som vises på funksjonslinjen nederst på skjermen.

Video

For å vise tilgjengelige videoer.

- Velg **MEDIER > VIDEO**, og trykk på **OK** for å åpne rotmappeutforskeren.
- Bruk **^/√/⟨/⟩** til å velge en videofil i enten rot- eller undermappeutforskeren på samme måte som i fotovisningsfunksjonen, og trykk på **MENU** for å vise videomenyen i mappemodus.
 - **Sortere:** Sortere mapper og videofiler etter type, endringsdato eller navn.
 - **Redigere:** Kopiere, lime inn eller slette en valgt videofil.

- **Parser:** Du kan velge **Rekursiv** for å vise videofiler fra samtlige undermapper.
- Velg en videofil, og trykk på **OK** for å spille av, så starter avspillingen med den valgte videofilen. Trykk på **MENU** for å vise videomenyen i utforskermodus. Du kan spille av videofilen eller sette den i pause samt velge ulike avspillingsmoduser, skjermmoduser og forhåndsinnstillinger for bilde osv.
 - Trykk på knappene på fjernkontrollen for å benytte de tilgjengelige funksjonene som vises på funksjonslinjen nederst på skjermen.

DivX

(* ikke tilgjengelig for enkelte modeller)

OM DIVX: DivX® er et digitalt videoformat utviklet av DivX, LLC, som er et datterselskap til Rovi Corporation. Denne enheten er DivX Certified® og spiller av DivX-filer. Klikk innom divx.com for mer informasjon samt programvare og verktøyer for å konvertere dine videofiler til DivX-formatet.

OM DIVX VIDEO-ON-DEMAND: Denne DivX Certified®-enheten må være registrert for å kunne spille av filmer fra tjenesten DivX Video-on-Demand (VOD).

Hente registreringskode:

- Trykk på **MENU** på fjernkontrollen.
- Velg **ALTERNATIVER > DivX(R)-registrering**.
- Trykk på **OK/⟩**, så vises registreringskoden.

Klikk innom vod.divx.com for mer informasjon om hvordan du fullfører registreringen.

Avregistrere TV-en:

Hvis du ønsker å avregistrere TV-en:

- Trykk på **MENU** på fjernkontrollen.
- Velg **ALTERNATIVER > DivX(R)-avregistrering**.
- Trykk på **OK/⟩**, for å åpne en veiviser. DivX®, DivX Certified® og tilhørende logoer er varemerker for Rovi Corporation eller datterselskaper og brukes under lisens.

Tidsregistrering

Du kan registrere tidspunktet fra digitale kanaler ved hjelp av følgende fremgangsmåte.

- Trykk på **MENU** på fjernkontrollen, og

velg **ALTERNATIVER >Tids- > ur > Automatisk synkronisering.**

- Trykk på **</>** for å velge **På**.

Tilordne en kanaldekoder

Dekodere som dekoder analoge kanaler, kan kobles til AV-kontakten. Tilordne TV-kanalen som en kanal som skal dekodes. Deretter tilordner du kontakten som dekoderen er koblet til.

- Trykk på **MENU** på fjernkontrollen, og velg **OPPSETT > Dekode**.
- Trykk på **OK/>** for å gå inn i listen.
- Trykk på **^/V** for å velge kanalen som skal dekodes.
- Trykk på **OK** for å merke eller fjerne merkingen for kanalen.
- Trykk på **BACK** for å gå tilbake til forrige meny.

Feilsøking av digitale TV-kanaler

- Trykk på **MENU** på fjernkontrollen, og velg **OPPSETT > Feilsøking**.
- Trykk på **OK/>** for å vise signalinformasjon om den aktuelle digitale kanalen, som signalstyrke, frekvens osv.

Tidsforskyvning

Gjør det mulig å sette et program i pause eller spole fremover eller bakover i det. Når du bruker denne funksjonen for første gang, må du passe på å koble til en USB-minnepinne.

Merk: Grunnet særlige nasjonale krav er funksjonen Tidsforskyvning ikke tilgjengelig i Finland.

- Trykk på **MENU** på fjernkontrollen, og velg **OPPSETT > Tidsforskyvning**.
- Trykk på **</>** for å velge **På** og aktivere Tidsforskyvning -funksjonen. Trykk deretter på **EXIT** for å lukke menyen.
- Trykk på **OPTION** på fjernkontrollen, velg **Tidsforskyvning**, og trykk på **OK** for å bekrefte.
- Følg anvisningene for oppsett på skjermen.
- Når oppsettet av disken er ferdig: Trykk på **OPTION**, og velg **Tidsforskyvning**.
- Trykk på **OK** for å vise Tidsforskyvning -menyen.
 - Trykk på **⏸**-knappen for å sette bildet i pause og starte Tidsforskyvning.
 - Trykk på **⏮**-knappen for å spille av den

innspilte delen.

- Når Tidsforskyvning -menyen forsvinner og bare tiden for Tidsforskyvning vises på skjermen, kan du trykke på **⏮**-knappen eller **OK** for å åpne Tidsforskyvning -menyen.
- Trykk på **⏮**-knappen for å spole bakover eller **⏭**-knappen for å spole forover.
- Trykk på **■**-knappen for å deaktivere Tidsforskyvning -funksjonen.

Merk:

- Du bør sikkerhetskopiere eventuelle data på USB-minnepinnen før du kobler den til TV-en. Da risikerer du ikke å miste viktige data på grunn av en uforutsett feilfunksjon.*
- Vi anbefaler å bruke en USB-enhet med mer enn 1 GB ledig kapasitet og overføringshastighet raskere enn 5,0 Mb/sek.*
- Jo større filstørrelse for Tidsforskyvning, desto lengre opptakstid.*
- Hvis du bytter kanal i Tidsforskyvning-modus, blir du bedt om å velge **Ja** eller **Nei**. Du kan velge **Ja** for å gå ut av Tidsforskyvning-funksjonen og gjennomføre kanalskiftet.*

Fabrikkinnstillinger

Gjør det mulig å tilbakestille TV-en til fabrikkinnstillingene.

- Trykk på **MENU** på fjernkontrollen, velg **OPPSETT**, og trykk på **OK** for å bekrefte.
- Velg **Fabrikkinnstillinger**, og trykk på **OK/>** for å bekrefte.
- Bruk tall -knappene til å taste inn passordet.
- Trykk på **</>** for å velge **OK**, og trykk på **OK** for å bekrefte.
- Knappen **gjøring** -menyen åpnes Følg instruksene.

Tilpasse innsignalinnstillingene

Gjør det mulig å konfigurere TV-en for eksterne innsignalenheter som dekodeboks, Blu-ray-spiller, datamaskin eller spillkonsoll.

- Trykk på **MENU** på fjernkontrollen, og velg **OPPSETT > Innsignalinnstillinger**.
- Trykk på **OK/** for å gå til innsignalinnstillinger.
- Trykk på **^/V** for å velge porten som innsignalenheten er koblet til.
- Trykk på **</>** for å velge type enhet.

- Trykk på **</>** for å gi enheten et navn.
 5. Trykk på **BACK** for å gå tilbake til **OPPSETT** -menyen.

Etter konfigurering blir betegnelsen på den valgte kilden vist etter navnet på den aktuelle porten i kildelisten når du trykker på **SOURCE** på fjernkontrollen eller på **OK** på TV-en.

Bruke EPG

EPG er en elektronisk TV-programoversikt som vises på skjermen. Du kan navigere, velge, vise og spille inn programmer.

- Trykk på **GUIDE** på fjernkontrollen for å åpne menyen **Nå og neste EPG**, der du får informasjon om programmene som for øyeblikket sendes på hver kanal, samt de som kommer etterpå. Naviger gjennom de ulike programmene ved hjelp av navigasjonsknappene på fjernkontrollen.
- Bruke fargeknappene til å vise **8 dagers EPG**.
 - **Førrige dag** (Rød): Viser EPG for førrige dag.
 - **Neste dag** (Grønn): Viser EPG for neste dag.
 - **Vis detaljer** (Gul): Viser en beskrivelse av programmet om tilgjengelig.
 - **Typemfilter** (Blå): Programoversiktsfilter for digitale TV-programmer.
- Trykk på den blå knappen for å vise lister over programenes type og undertype.
- Naviger gjennom de ulike typene og undertypene ved hjelp av navigasjonsknappene på fjernkontrollen.
- Velg én eller flere typer som du vil merke i typelisten, og trykk på **OK** for å legge til (eller fjerne). Når en type er valgt, vises det en hake til venstre for den. Når du velger en type, blir alle tilhørende undertyper også valgt.
- Det er også mulig å velge ønskede undertyper uten først å velge noen type.
- Trykk på den blå knappen for å gå ut av listen type og undertype.
- Etter filtrering er alle de ønskede digitale TV-programmene merket.
- **Programmer opptak** (Alternativt): Trykk på **OPTION** på fjernkontrollen for å åpne **Opptaksliste** -menyen. For mer informasjon om programmering av opptak, se avsnittet **Opptaksliste**.
- Trykk på **GUIDE/EXIT** for å gå ut av

EPG og bytte til den valgte kanalen.

PVR (personlig videoopptaker)

Gjør det mulig å spille inn yndlingsprogrammene dine. Før du bruker funksjonen, må du koble en USB-minnepinne til apparatet.

Merk: Grunnet særlige nasjonale krav er PVR-funksjonen ikke tilgjengelig i Finland.

- Trykk på **OPTION** på fjernkontrollen, og velg **HURTIGTILGANG > PVR**.
- Trykk på **OK/>** for å bekrefte.

Bruk av snarveier: Trykk på **REC** på fjernkontrollen for å gå inn i PVR-menyen direkte.

- Trykk på:
 - knappen **REC** for å starte opptaket. Videofilen blir lagt i en PVR-mappe i **MEDIER > VIDEO**;
 - knappen **■** for å stoppe opptaket manuelt. Opptaket stopper automatisk når opptakstiden er nådd.
 - **▲/▼/</>** for å justere opptakstiden.
- Under opptak vises også PVR-miniruten på skjermen for å indikere fremdriften.
- Når du vil se det innspilte programmet, går du ut av PVR-modus og til **MEDIER > VIDEO**. Velg mappen PVR, og velg riktig fil. Trykk på **OK** for å spille av. (Fremgangsmåten er den samme hvis du spiller inn et digitalt radioprogram.)

Merk:

- Hvis et **CI+ -kort** er i bruk, deaktiveres **PVR-funksjonen**.
- Kun tilgjengelig for digitale kanaler.
- Støtter kun USB-minner med formatet **FAT32**.
- Du bør sikkerhetskopiere eventuelle data på USB-minnepinnen før du kobler den til TV-en. Da risikerer du ikke å miste viktige data på grunn av en uforutsett feilfunksjon.
- Jo større tilgjengelig minne på USB-minnepinnen for PVR-funksjonen, desto lengre opptakstid.
- Hvis du vil bytte kanal eller signalkilde under opptak, må du først lagre innspilte data.
- TV-en kan ikke spille av filer på normalt vis hvis parameterne for filen overskrider systemets begrensninger, filformatet ikke støttes, filen er skadet eller den ikke kan dekodes.
- Koble ikke USB-minnepinnen fra mens systemet leser en fil eller overfører data.

Det kan skade systemet eller enheten.

Opptaksliste

Denne funksjonen brukes til å programmere opptak.

1. Trykk på **OPTION** på fjernkontrollen, og velg **HURTIGTILGANG > Opptaksliste**.
2. Trykk på **OK** for å vise **Opptaksliste**.
3. For å programmere et opptak i opptakslisten: Trykk på den røde knappen for å vise **opptakslisten**. Deretter
 - **Kanal nummer:** Bruk **</>** til å velge kanalnummeret
 - **Startdato:** Bruk tall -tastene til å angi opptaksdatoen.
 - **Starttid:** Angi starttiden for opptaket.
 - **Stopptid:** Angi stopptiden for opptaket.
 - **Innspillingstype:**
 - Angi **Påminnelse** for å bli minnet om at du kan bytte til det programmerte programmet på det angitte tidspunktet. Når tiden er ute, og du ikke har utført noen operasjon, forsvinner dialogboksen. Det vil ikke bli utført noen operasjon.
 - Angi **Spille inn** for å bli spurt om du ønsker å starte den programmerte opptaket på det angitte tidspunktet. Når tiden er ute, og du ikke har utført noen operasjon, starter opptaket automatisk.
 - **Gjentakelsesmodus:** Angi ulike gjentakelsesmoduser for opptaket.
4. Trykk på **^/V/</>** for å velge **Legg til**, og trykk på **OK** for å legge til opptaket du anga, i opptakslisten.
5. Trykk på den røde knappen for å gjenta fremgangsmåten ovenfor og legge til et nytt programmert opptak.
6. Hvis du vil redigere eller slette programmering av et opptak, velger du opptaket og trykker på **OK** for å bekrefte.
7. Trykk på **EXIT** for å lukke menyen.

Nettverkskobling

Du kan sette opp TV-en slik at den har tilgang til Internett via ditt lokale nettverk (LAN) med nettkabel eller trådløst.

Koble til et kablet nettverk

Det er tre måter å koble TV-en til et kablet nettverk på.

- Koble TV-en til nettverket ved å koble LAN-porten på TV-en til et eksternt

modem ved hjelp av en Cat 5-kabel.

- Koble TV-en til nettverket ved å koble LAN-porten på TV-en til en ruter som er koblet til et eksternt modem. Bruk en Cat 5-kabel for å koble til.
- Avhengig av hvordan nettverket ditt er konfigurert kan du kanskje koble LAN-porten på TV-en direkte til en nettverkskontakt i veggen ved hjelp av en Cat 5-kabel. Nettverkskontakten må være koblet til et modem eller en ruter.

Velg **OPPSETT > Nettverk > Innstillinger > Grensesnitt**, og velg **Ethernet** for å koble til et kablet nettverk.

Koble til et trådløst nettverk

For å koble din TV trådløst til et nettverk, trenger du en trådløs ruter eller modem og en WiFi-adaptar. Dette må kjøpes separat. Koble WiFi-adapteren til TV-ens USB1-port. Du trenger en trådløs ruter eller et trådløst modem samt et trådløst nettverkskort for å koble TV-en til trådløst. Koble USB-dongelen (Wireless High-Gain USB Adapter) som fulgte med TV-en, til **USB 1** -porten på TV-en.

1. Velg **OPPSETT > Nettverk > Innstillinger > Grensesnitt**, og velg **Trådløst** for å koble til et trådløst nettverk.
2. Velg **Trådløs innstilling**, og trykk på **OK/>** for å bekrefte.
3. **Tilkoblingsmetoder:** Det er tre måter å sette opp den trådløse nettverksforbindelsen på.
 - **Søk**
 - Velg **Trådløs innstilling > Søk**, og trykk på **OK/>**. TV-en søker etter tilgjengelige tilgangspunkter innenfor rekkevidde. TV-en viser tilgjengelige tilgangspunkter.
 - Velg et tilgangspunkt, og trykk på **OK/>** for å koble til TV-en.

Merk:

- *Hvis du velger et beskyttet tilgangspunkt, må du oppgi riktig passord. Trykk på **OK** på fjernkontrollen for å vise det virtuelle tastaturet som gjør det mulig å skrive inn passordet.*
- *TV-en har en minnefunksjon for tilgjengelige tilgangspunkter som gjør at den kan koble seg til nettverket på nytt når du slår den på igjen etter å ha koblet den fra strømmettet.*
- **Manuell**
Velg **Trådløs innstilling > Manuell**, og

trykk på **OK/**. Du blir bedt om å oppgi riktig SSID for en tilgjengelig trådløs ruter for å sette opp forbindelsen.

– **Automatisk**

Hvis tilgangspunktet støtter WPS (Wi-Fi Protected Setup), kan du koble til nettverket med PIN (Personal Identification Number) eller PBC (Push Button Configuration). I begge moduser konfigurerer WPS SSID og WPA-nøkkel automatisk.

Velg **Trådløs innstilling >**

Automatisk, og trykk på **OK/** for å bekrefte.

- **PIN:** Velg **PIN**, og trykk på **OK/** for å bekrefte. Generere en tilfeldig PIN-kode Sørg for at denne koden er installert på tilgangspunktet. (Fremgangsmåten fremgår av bruksanvisningen for ruterens.) Trykk på **OK/** igjen for å sette opp forbindelsen.
- **PBC:** Hvis ruterens din har en PBC-knapp: Velg **PBC**, og trykk på **OK/** for å bekrefte. Trykk på PBC-knappen på ruterens innen 2 minutter etter at du trykket på **OK/** igjen. TV-en henter automatisk alle de nødvendige nettverksinnstillingene og kobler til nettverket.

Nettverksoppsett

1. Trykk på **MENU** på fjernkontrollen, og velg **OPPSETT > Nettverk > Innstillinger > Internettforbindelse**. Trykk på **</** for å velge **På**. Vent til koblingen opprettes automatisk.
2. Velg **OPPSETT > Nettverk > Innstillinger > Kontrollere forbindelse**, og trykk på **OK/** for å kontrollere internettforbindelsen. Hvis den ikke fungerer, følger du fremgangsmåten nedenfor for å opprette forbindelsen.
3. Velg **OPPSETT > Nettverk > Innstillinger > IP-innstillinger**, og trykk på **OK/** for å gå til **IP-innstillinger** -menyen.
 - Angi **Adresstype . Automatisk**. TV-en henter og legger inn IP-adressen automatisk.
 - Du kan følge punktene nedenfor for å legge inn IP-adressen manuelt.
- Angi **Adresse -type . Manuell**, og trykk på **V** for å gå inn i det første inndatafeltet.
- Legg inn verdier for **IP-adresse**,

Nettverksmaske, Standard gateway , Primær DNS og Sekundær DNS .

Bruk tall -knappene til å legge inn tall og piltastene til å gå fra ett inndatafelt til et annet.

- Til slutt velger du **OPPSETT > Nettverk > Innstillinger > Kontrollere forbindelse** for å kontrollere internettforbindelsen igjen..
- 4. Velg **OPPSETT > Nettverk > Innstillinger > Informasjon**, og trykk på **OK/** for å vise informasjon om den aktuelle forbindelsen, som grensesnitt, adressetype, IP-adresse osv.

Bla gjennom PC-en med Share & See

Hvis du har bilder, video- eller musikkfiler på en datamaskin som er tilkoblet via et hjemmenettverk, kan du spille av filene på TV-en.

Koble til PC-en

Forsikre deg om at det er en kablet eller trådløs forbindelse fra TV-en til en ruter. Deretter kobler du PC-en til ruterens, enten med en nettverkskabel eller trådløst. Forsikre deg også om at **OPPSETT > Nettverk > Innstillinger > Internettforbindelse** er **På**, og at datamaskinens brannmur ikke blokkerer forbindelsen.

Aktivere funksjonen Share & See

Velg **OPPSETT > Nettverk > Applikasjoner > Share & See**, og velg **På**.

Følg punktene nedenfor i angitt rekkefølge.

Legge til medier fra PC-en til deling

Installer en Share & See-medieserver på PC-en. Microsoft Windows Media Player 11 er et enkelt og velkjent alternativ. La TV-en dele de angitte filene på PC-en.

1. Åpne Microsoft Windows Media Player 11.
 - Velg **Bibliotek > Mediedeling**.
 - Merk av i boksen **Del mine medier med**.
 - Velg ikonet for TV-en koblet til PC-en.
 - Velg **Tillat** for å gi TV-en tilgang til PC-en, og velg **OK** for å aktivere tillatelsen.

*Merk: Bruk **Innstillinger** -knappen til å tilpasse innstillingene etter eget ønske.*

2.
 - Velg **Bibliotek > Legg til i biblioteket**.

- Velg egne eller andre brukeres mapper for deling.
- Velg **Legg til**, og trykk på **OK** for å aktivere tillatelsen.

Applikasjonen Share & See

Velg **MEDIER** i hovedmenyen, og trykk på **OK** for å gå til mediesenteret. Nå kan du vise bilder, lytte til musikk og spille av videoer som er lagret på PC-en.

SMART-TV

Gjør det mulig å bruke internettapplikasjoner (app-er) spesielt tilpasset nettsider for TV. Du kan betjene app-ene med TV-ens fjernkontroll.

ADVARSEL:

- Angi nettverksinnstillingene før du bruker **SMART-TV**.
- Avhengig av nettverksforholdene dine kan du oppleve treg respons og/eller avbrudd.
- Hvis du opplever problemer ved bruk av en applikasjon, skal du kontakte innholdsleverandøren.
- Avhengig av innholdsleverandøren kan oppdateringer av en applikasjon eller selve applikasjonen bli avviklet.
- Avhengig av lover og regler i ditt land kan enkelte applikasjoner ha begrenset funksjon eller manglende støtte.

Tilgang til SMART-TV-applikasjoner (app-er)

1. Velg **SMART-TV** i hovedmenyen, og trykk på **OK** for å vise SMART-TV-hjemmesiden.

Bruk av snarveier: Trykk på **SMART-TV** på fjernkontrollen for å åpne SMART-TV-hjemmesiden direkte.

1. Bruk **▲/▼/◀/▶** til å velge en app, og trykk på **OK** for å bekrefte.

HbbTV

Enkelte digitale kringkastere tilbyr interaktiv HbbTV (Hybrid Broadcast Broadband TV). HbbTV gjør det mulig for kringkastere å kombinere sine normale TV-programmer med all slags informasjon og underholdning. Du kan bla gjennom denne informasjonen interaktivt.

Du må koble TV-en til Internett for å få fullt utbytte av HbbTV.

Merk: Du kan ikke laste ned filer til TV-en med denne funksjonen.

Tilgang til HbbTV

Når du stiller inn på en TV-kanal som tilbyr HbbTV, trykker du på den røde knappen for å åpne de interaktive sidene. Deretter bruker du **▲/▼/◀/▶** til å navigere i HbbTV-sidene og trykker på **OK** for å bekrefte.

Merknader om passord i sperrefunksjonen:

- *Det forhåndsinnstilte passordet er 1234. Du kan bytte det ut med et nytt.*
- *Administratorpassordet er 0423. Hvis du glemmer koden din, taster du inn administratorpassordet for å overstyre alle eksisterende koder.*

Skjermopløsning:

- 1920x1080

Kontakt IKEA

Hvis du har spørsmål om ditt nye UPPLEVA TV-apparat eller -lydsystem, eller trenger service eller brukerstøtte, kontakt IKEAs kundeservice på IKEA.no. Les bruksanvisningen nøye før du kontakter oss, slik at vi kan hjelpe deg på best mulig måte. Ha artikkelnummeret for kjøpet for hånden. Du finner det åttesifrede artikkelnummeret på kvitteringen og på baksiden av UPPLEVA TV eller lydsystem.

Información importante Seguridad

Asegúrese de que el voltaje de la red de suministro eléctrico se corresponde con el voltaje indicado en la pegatina de identificación situada en la parte posterior de la unidad. Cuando la toma de corriente o el conector del electrodoméstico se emplea como dispositivo de desconexión, éste debe permanecer totalmente operativo.

En ciertos modelos, el indicador luminoso está situado en un lateral del televisor. La ausencia de una indicación luminosa en la parte frontal, no indica que el televisor esté totalmente desconectado de la corriente. Para desconectar el televisor completamente, debe extraerse la toma de corriente.

Los componentes del televisor son sensibles al calor. **La temperatura ambiente máxima** no debe exceder de 35 °C. No cubra la rejilla de ventilación situada en la parte posterior o en los laterales del televisor. Deje espacio suficiente a su alrededor para permitir una ventilación adecuada. Instale el electrodoméstico alejado de cualquier fuente de calor (chimeneas, ...) o de electrodomésticos que creen fuertes campos magnéticos o eléctricos.

La humedad en las habitaciones donde se instale el televisor no debe exceder del 85%. **El aparato no debe exponerse a salpicaduras o goteos y no deben colocarse sobre el aparato** objetos llenos de líquido, como jarrones. El traslado del televisor de un lugar fresco a otro cálido puede provocar condensación en la pantalla (y en algunos componentes interior del televisor). Deje que se evapore la condensación antes de volver a encender el televisor.



ADVERTENCIA

Para evitar la propagación de un incendio, mantenga siempre el producto alejado de velas u otras llamas abiertas.

El botón ϕ o **POWER**/ ϕ del televisor, o el botón ϕ del mando a distancia, se pueden usar para encenderlo o ponerlo en modo en espera (standby). Si no va a ver el televisor **durante un periodo prolongado de tiempo**, apáguelo completamente retirando el enchufe de la toma de corriente.

Durante **tormentas eléctricas**, recomendamos que desconecte el televisor de la corriente y de la antena, de tal forma que no se vea afectado por sobrecargas eléctricas o electromagnéticas que pudieran dañarlo. Por este motivo, mantenga las **tomas de corriente y de la antena** accesibles para que se puedan **desconectar** si fuera necesario.

Desconecte inmediatamente el televisor si percibe que desprende un olor **a humo o a quemado**. No debe nunca, bajo ninguna circunstancia, abrir el televisor, ya que corre el riesgo de recibir una **descarga eléctrica** al hacerlo.

Pantalla de TV

La pantalla de TV usada en este producto es de cristal. Por tanto, puede romperse si el producto se cae o recibe un impacto. La pantalla TV es un producto de muy alta tecnología, que ofrece imágenes muy detalladas. Ocasionalmente, pueden aparecer píxeles inactivos en la pantalla como puntos fijos azules, verdes o rojos. Esto no afecta al funcionamiento del producto.

Cuidados

Use un limpiacristales para limpiar la pantalla y un paño suave con un detergente neutro para limpiar el resto del televisor.

Importante

El uso de detergentes fuertes, productos que contengan alcohol o abrasivos puede dañar la pantalla.

Limpie el polvo de las rejillas de ventilación situadas en la parte posterior y los laterales de forma regular. El uso de disolventes, productos abrasivos o que contengan alcohol puede dañar el televisor. En caso de que un objeto o un líquido entre en el interior del televisor, desconéctelo inmediatamente y haga que lo examine un técnico autorizado. No abra nunca el televisor, ya que esto le puede poner en riesgo o puede dañar el aparato.

Colgar el televisor en la pared.

ADVERTENCIA: Esta operación requiere dos personas.

Para garantizar una instalación segura, observe las siguientes notas de seguridad:

- Compruebe que la pared pueda soportar el peso del televisor y del soporte de la pared.
- Siga las instrucciones de montaje que se adjuntan con el soporte de pared.

Para algunos modelos, asegúrese de atornillar los tornillos principales (y normales) hexagonales de montaje en pared VESA, incluidos con el equipo, a las tuercas para montaje en pared, en la parte posterior de su equipo antes de su montaje en la pared.

- El televisor debe instalarse en una pared vertical.

- Asegúrese de emplear únicamente tornillos adecuados para el material en el que está construida la pared.

Asegúrese de que los cables del televisor están colocados de manera que no haya riesgo de tropezar con ellos.

Todas las instrucciones de seguridad sobre televisores son de aplicación aquí.

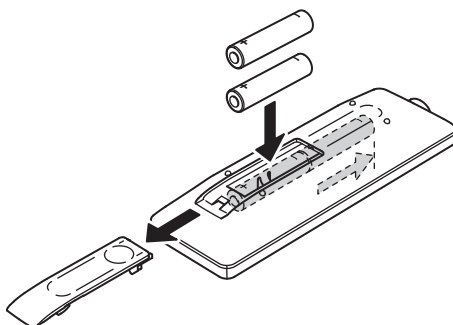
Colocar el televisor en una mesa

Antes de instalar el televisor, asegúrese de que la superficie donde desea colocar el televisor puede soportar su peso.

No coloque el televisor sobre una superficie inestable (por ejemplo, una estantería floja, o al borde de un mueble) y asegúrese de que la parte frontal del televisor no sobresalga de la superficie donde se asienta.

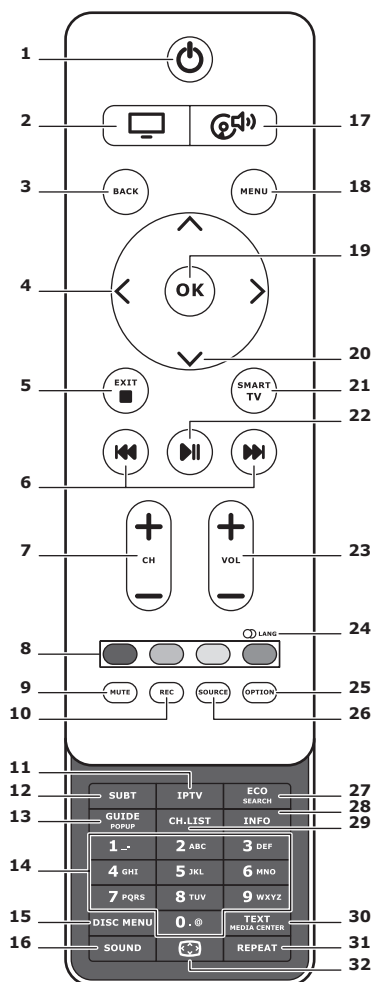


Este producto está diseñado y fabricado con materiales y componentes de gran calidad que se pueden reciclar y reutilizar. Este símbolo significa que los equipos eléctricos y electrónicos, al final de su vida útil, deben desecharse por separado de los desechos domésticos para prevenir potenciales consecuencias negativas para el medio ambiente y para la salud humana. Rogamos se deshaga de este equipo en el centro de reciclaje/recogida de residuos local. En la Unión Europea existen sistemas de recogida selectiva para productos eléctricos y electrónicos usados. Por favor, ayúdenos a conservar el medioambiente en el que vivimos.







Funciones del mando a distancia

La mayoría de las funciones del televisor están disponibles en los menús que aparecen en pantalla. El mando a distancia que se adjunta con el televisor se puede emplear para navegar por los menús y para realizar la configuración general.



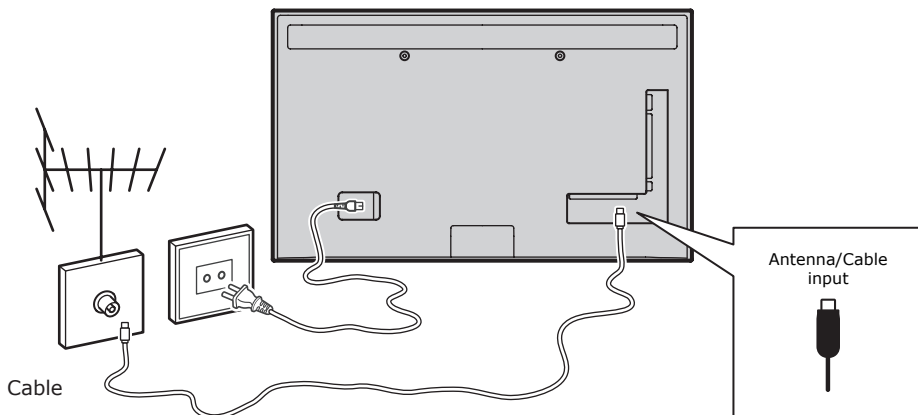
1. Modo Standby/salir de Standby.
2. Cambiar el mando a distancia para usar el TV.
3. **BACK**
Para volver al menú anterior; para volver al canal anterior.
4. **<>**
Para navegar a través de menús; para configurar funciones y cambiar valores.
> también puede usarse para abrir el submenú correspondiente.
5. **EXIT/■**
Para salir de la estructura del menú o del teletexto; para detener algunas funciones.
6. **⏮ ⏭**
Para retroceder o para avanzar rápidamente (necesita pulsar y mantener pulsado en la función Multimedia); para cambiar a la fotografía, a la canción o al vídeo anterior o siguiente.
7. **CH+/-**
Para cambiar de canal.
8. **Botones de color**
Para seleccionar tareas o páginas de teletexto. El botón rojo también puede utilizarse para la función MHEG.
9. **MUTE**
Para apagar el sonido y volver a encenderlo.

- 10. REC**
Para grabar programas.
- 11. IPTV**
Sin función.
- 12. SUBT**
Para seleccionar un idioma de subtítulo disponible para un programa de TV digital seleccionado.
- 13. GUIDE**
Para activar o desactivar la Guía Electrónica de Programas (sólo disponible para canales digitales).
- 14. 0-9**
Para introducir números de canales; para introducir una letra, un dígito o un símbolo en algunas funciones.
- 15. DISK MENU**
Sin función.
- 16. SOUND**
Para seleccionar un modo de sonido preconfigurado.
- 17. **
Cambiar el mando a distancia para usar el sistema de sonido.
- 18. MENU**
Para acceder al menú principal; para acceder o para salir del teclado virtual en la función Smart TV.
- 19. OK/>**
Para confirmar un ingreso o selección; para congelar/ descongelar la imagen en modo TV digital.
- 20. ^ v**
Para navegar a través de menús; para seleccionar opciones de menú.
- 21. SMART TV**
Para mostrar la página de inicio de Smart TV.
- 22. **
Para reproducir/poner en pausa.
- 23. VOL+/-**
Para controlar el volumen.
- 24.  LANG**
Para seleccionar un tipo de sonido disponible para un programa de TV analógico seleccionado; para seleccionar un idioma de audio disponible para un programa de TV digital seleccionado.
- 25. OPTION**
Para mostrar el menú de funciones para realizar determinadas operaciones; para mostrar la página de teletexto en modos diferentes.
- 26. SOURCE**
Para seleccionar dispositivos conectados.
- 27. ECO**
Para seleccionar el modo de ahorro de energía deseado.
- 28. INFO**
Para mostrar información sobre el programa, si se encuentra disponible.
- 29. CH.LIST**
Para mostrar la lista de canales.
- 30. TEXT/MEDIA CENTER**
Para activar o desactivar el teletexto.
- 31. REPEAT**
Sin función.
- 32. **
Para seleccionar el formato de imagen.
Nota: recomendamos utilizar el modo pantalla completa, no el modo visualización con barras negras a ambos lados de la imagen (como 4:3) durante un tiempo prolongado; de lo contrario la pantalla del TV puede sufrir daños permanentes.

Conecte la alimentación y la antena

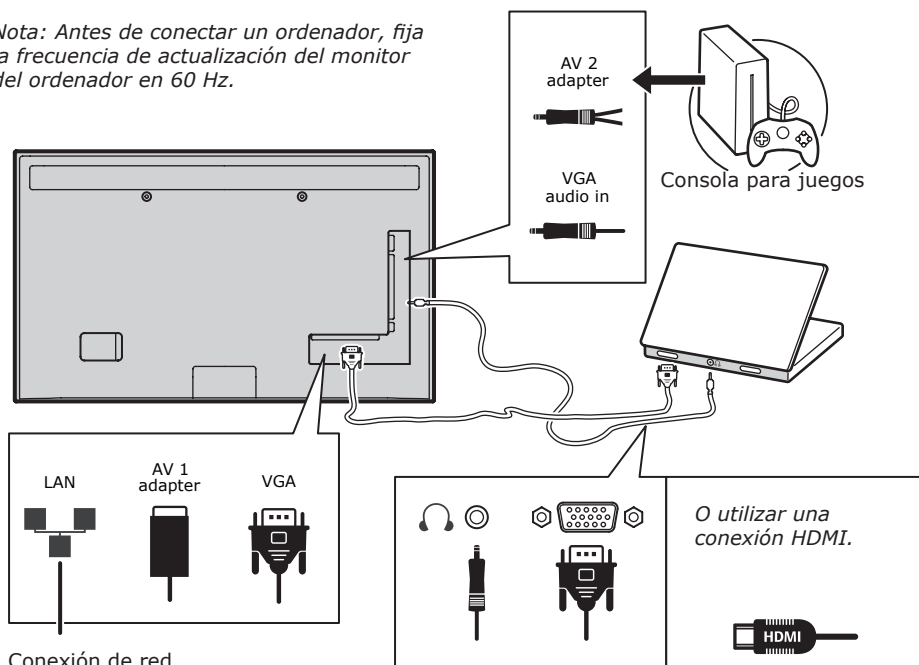
Para encender el TV después de conectar el cable de alimentación, pulsar O **POWER/** O .

Nota: La posición de la conexión de alimentación varía según el modelo de TV. En determinados modelos, hay que encender el interruptor de alimentación primero.

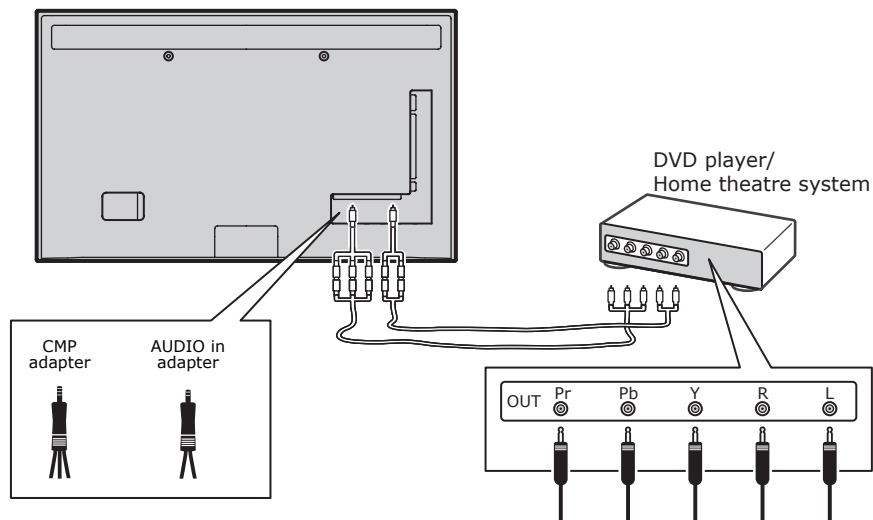


Consola para juegos, ordenador

Nota: Antes de conectar un ordenador, fija la frecuencia de actualización del monitor del ordenador en 60 Hz.

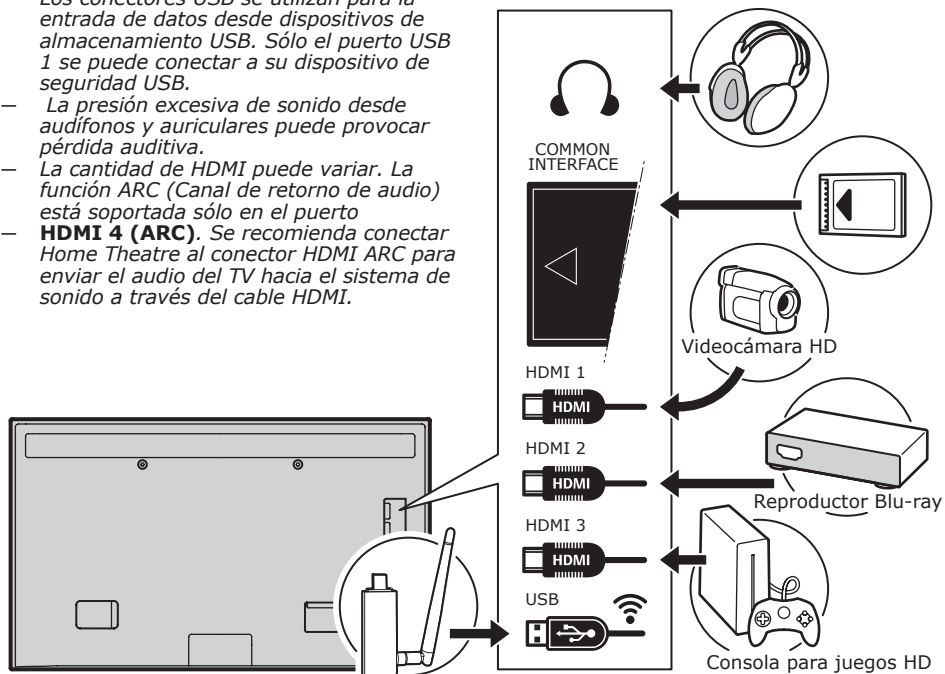


Reproductor de DVD, sistema Home Theatre



Reproductor Blu-ray, auriculares, consola para juegos HD y videocámara HD

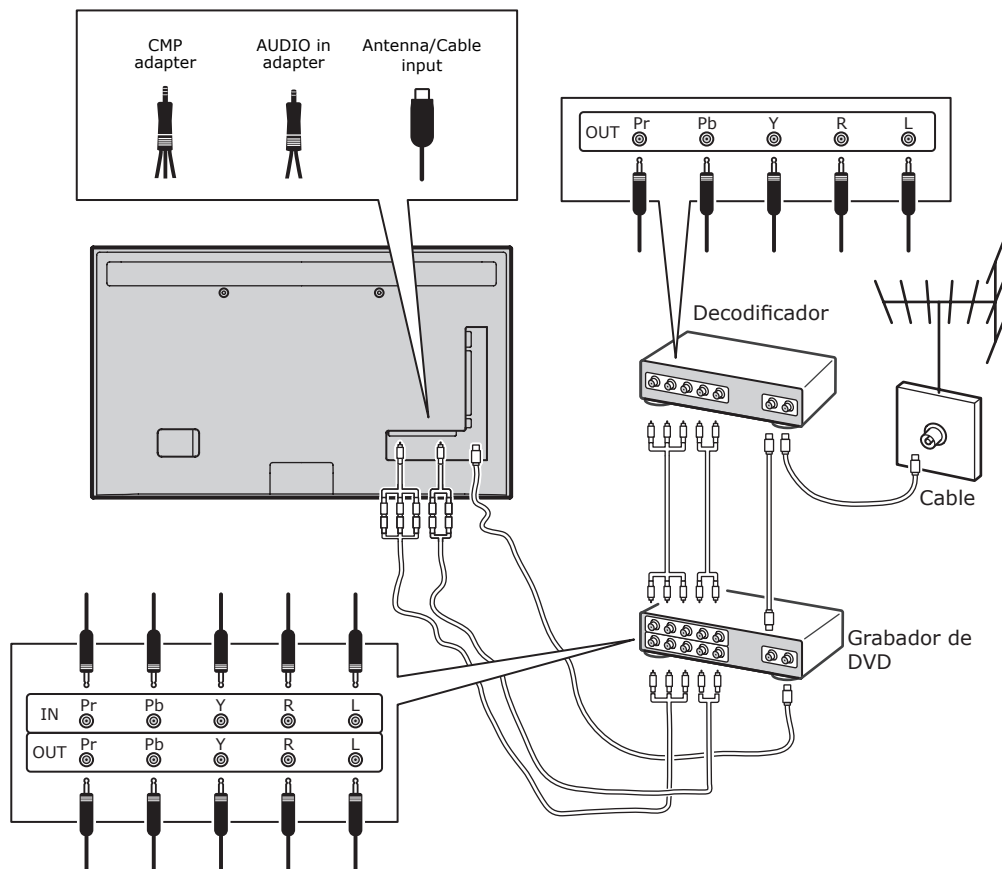
- *Notas:*
- Los conectores USB se utilizan para la entrada de datos desde dispositivos de almacenamiento USB. Sólo el puerto USB 1 se puede conectar a su dispositivo de seguridad USB.
- La presión excesiva de sonido desde audífonos y auriculares puede provocar pérdida auditiva.
- La cantidad de HDMI puede variar. La función ARC (Canal de retorno de audio) está soportada sólo en el puerto **HDMI 4 (ARC)**. Se recomienda conectar Home Theatre al conector HDMI ARC para enviar el audio del TV hacia el sistema de sonido a través del cable HDMI.



Grabador de DVD, receptor de cable

Nota:

Desconectar el cable de alimentación antes de conectar dispositivos.



Nota:

- Las imágenes solamente tienen fines representativos.
- No todas las conexiones están disponibles en todos los modelos.
- La ubicación de la conexión de alimentación en el TV puede variar de acuerdo con el modelo de TV.
- Las posiciones y los nombres de los botones de funciones y los conectores en el TV pueden variar de acuerdo con el modelo de TV.

Importante:

Si el mando a distancia no se utiliza durante un período prolongado, quitar las baterías y almacenarlas adecuadamente. Manipular con cuidado las baterías dañadas o filtradas.

Si el mando a distancia tiene dos baterías, no mezclar baterías nuevas con viejas.

No se debe exponer la batería a una temperatura excesiva, como la luz directa del sol, fuego o similares. Hay peligro de explosión si la batería se reemplaza de forma incorrecta. Reemplazar las baterías solamente con baterías del mismo tipo o similares recomendadas por el fabricante. Desechar las baterías usadas según las instrucciones del fabricante.

Consultar las reglas locales de reciclaje y de eliminación de desechos, y ponerse en contacto con un proveedor local de eliminación de desechos para deshacerse de las baterías usadas. Si las baterías del mando a distancia están gastadas, se pueden emplear los botones del televisor. En modo TV, presentan las mismas funciones que los correspondientes botones del mando a distancia. En los menús, presentan las siguientes funciones:

CH ^	^
CH v	v
VOL >	>
VOL <	<
MENU ≡	MENU
OK/>/↵	OK/>

Encender y apagar la TV

1. Cuando se encienda, la TV se pondrá en marcha directamente o entrará en modo standby. Si la TV está en modo standby, pulsar el botón ϕ o POWER/ ϕ en el equipo, o el botón ϕ del mando a distancia, para encenderla.

2. Para que el TV entre en modo standby, pulsar el botón ϕ o POWER/ ϕ en el equipo, o el botón ϕ del mando a distancia. El TV permanecerá encendido, pero con bajo consumo de energía.

3. Para desconectar el TV, desenchufar la fuente de alimentación de la toma de corriente.

(*En algunos modelos, se debe encender el botón de encendido/apagado primero.)

Instalación inicial

La instalación inicial implica la selección de todas las instalaciones para poder buscar y guardar los canales analógicos y digitales que se puedan recibir.

Asegurarse de que el televisor está encendido y seguir todos los pasos en el orden en el que se especifican a continuación.

Nota: Si la búsqueda de canales sólo obtiene canales analógicos, puede ser por una transmisión débil, y esto no lo cubre la garantía. Los fabricantes no pueden hacerse responsables de la transmisión débil o de la ausencia de transmisión en algunas zonas. La primera vez que encienda el aparato, el asistente de **Initial setup** se abrirá, guiándole a través del proceso de configuración inicial. (Figura 1). Pulsar **OK/>** para comenzar la configuración inicial.

1. Pulsar **^/v** para seleccionar el idioma, y después pulse **OK/>** para entrar en el paso siguiente.
2. Pulsar **^/v** para seleccionar país, y después pulsar **OK/>** para entrar en el paso siguiente.

*Nota: Si se selecciona **France**, hay que acceder al menú de **Password setting** para establecer una contraseña. Utilizar los botones numéricos para introducir un número de cuatro dígitos para su contraseña. (0000 es demasiado simple para establecerse como contraseña) Volver a introducir el mismo código para confirmar la contraseña. Tras esto, se pasa automáticamente al siguiente paso. (En este paso, sólo se puede pulsar **BACK** para volver al paso anterior.)*

3. Pulsar **^/v** para seleccionar el modo de sintonizador **Antenna, Cable o Satellite**. (Note: en algunos modelos esta opción puede no estar disponible).
 - Seleccionar **Antenna**.
 - Pulsar **OK/>** para acceder.
 - Seleccionar **Digital & Analogue, Digital o Analog**, y pulsar **OK/>**.
 - Pulsar **^/v** para seleccionar **Scan**, y pulsar **OK/>** para iniciar la búsqueda automática de todos los canales DVB-T digitales y/o analógicos.
 - Seleccionar **Cable**.
 - Pulsar **OK/>** para acceder.
 - Seleccionar **Digital & Analogue, Digital o Analog**, y pulsar **OK/>**.

- Pulsar **▲/▼** para seleccionar **Scan**, y pulsar **OK/▶** para comenzar directamente la configuración inicial, o pasar al paso siguiente.
- Seleccionar **Full** si está disponible, para explorar y almacenar todos los canales DVB-C digitales y analógicos.
- Se puede seleccionar otro modo de búsqueda avanzada, si está disponible (por ejemplo, **Advanced**), y a continuación configurar la información de cable adecuada, como se describe a continuación. Utilizar los botones numéricos para ajustar los valores de frecuencia, velocidad de símbolos e ID de red; utilizar **</>** para seleccionar un modo de modulación.
- Pulsar **OK/▶** para iniciar la configuración inicial de todos los canales analógicos y digitales DVB-C.

Nota: esta opción puede no estar disponible para algunos modelos.

- Seleccionar **Satellite**.
- Pulsar **OK/▶** para acceder.
- Pulsar **▲/▼** para seleccionar **Scan**, y **OK/▶** para ir al paso siguiente y configurar la información relativa al satélite y a la antena.
- Pulsar **OK/▶** para iniciar la configuración inicial de todos los canales por satélite.

Nota: Para no interrumpir el proceso de configuración de canales, esperar a que se muestre el mensaje que indica que se ha completado la configuración.

4. Antes de comenzar la búsqueda, se puede seleccionar también **Skip Scan** para saltarse el proceso de configuración inicial.
5. Durante la configuración, el usuario puede seguir las sugerencias disponibles en la parte inferior de la pantalla, para volver al paso anterior pulsando **BACK** o pulsando **EXIT** para salir o interrumpir la búsqueda.
6. Una vez finalizada la búsqueda automática, el equipo entra en el paso siguiente automáticamente. Pulsar **▲/▼** para seleccionar la localización **Shop** o **Home**. Pulsar **OK/▶** para confirmar la selección y entrar en el último paso.
7. Se puede pulsar **OK/▶** para salir de la configuración inicial. Los canales siguen un orden predefinido. Para omitir canales, modificar el orden predefinido o cambiar el nombre de los canales,

seleccionar **SETUP > Organiser** y pulsar **OK/▶**.

- En este paso, también se puede pulsar **BACK** para volver al paso anterior.

Instalación automática de canales

Para buscar y almacenar canales de forma automática. Las instrucciones sirven para canales analógicos y digitales

1. Pulsar **MENU** en el mando y seleccionar **SETUP > Language > Menu Language**. Pulsar **</>** para elegir el idioma del menú.
2. Pulsar **BACK** para volver a **SETUP**, pulsar **▲/▼** para elegir **Country**, y **</>** para seleccionar el país. La TV instala y ordena los canales según el país.
3. Pulsar **▲/▼** para elegir **Tuner Mode**, y después **</>** para elegir **Antenna, Cable** o **Satellite**.

(Puede no estar disponible en algunos modelos.)

- Seleccionar **Antenna**.
- Pulsar **▲/▼** para elegir **Channel Install**, y **OK/▶**.
- Seleccionar **Automatic Search** (Figura 2.), y pulsar **OK/▶**.
- Pulsar **OK/▶** para omitir la selección de país y pasar al paso siguiente o usar **</>** para volver a seleccionar el país, y después pulsar **OK/▶** para entrar.
- Seleccionar **Digital & Analogue, Digital** or **Analogue**, y pulsar **OK/▶** para iniciar la búsqueda automática de todos los canales digitales y/o analógicos DVB-T.
 - Seleccionar **Cable**.
 - Pulsar **▲/▼** para elegir **Channel Install**, y pulsar **OK/▶/▶** para acceder.
 - Seleccionar **Automatic Search**, pulsar **OK/▶** para ver **Automatic Search**.
 - Pulsar **OK/▶** para saltar la elección de país e ir al siguiente paso o usar **</>** para elegir el país de nuevo y pulsar **OK/▶** para entrar.
 - Seleccionar **Digital & Analogue**, y pulsar **OK/▶**. Seleccionar el modo de exploración, si está disponible, y configurar la información del cable igual que en la Configuración inicial. Elegir **Scan** y pulsar **OK/▶** para iniciar la búsqueda automática de todos los canales DVB-C digitales y analógicos.
 - Seleccionar **Digital** y seguir el mismo proceso anterior para iniciar la búsqueda automática de los canales digitales

- Seleccionar **Analogue**, pulsar **OK/>** para iniciar la búsqueda de los canales analógicos.

- Seleccionar **Satellite**.

Nota: esta opción puede no estar disponible para algunos modelos.

- Pulsar **^/V** para seleccionar **Satellite Setup**, y pulsar **OK/>** para acceder.
- Pulsar **^/V** para seleccionar el satélite adecuado a añadir alguno en caso necesario y pulsar **OK/>** para acceder y configurar la información adecuada del satélite y antena.
- Seleccionar **SETUP > Channel Install > Automatic Search**, y pulsar **OK/>** para acceder.
- Seleccionar **Country**, y con **</>** elegir de nuevo el país, si fuera necesario.
- Seleccionar **Satellite Tuning**, pulsar **OK/>/>** para mostrar el menú **SATELLITE TUNING**. Configurar la información adecuada. Seleccionar **Scan**, y pulsar **OK/>** para iniciar la configuración inicial de los canales del satélite.

Nota: esta opción puede no estar disponible para algunos modelos.

4. La búsqueda puede tardar unos minutos. Durante el proceso, se puede pulsar **EXIT** para abortar a la mitad.
5. Una vez que finalice la búsqueda automática, pulsar **BACK** para volver al último paso, u **OK/>** para para reiniciar la búsqueda de canales.
6. Tras la búsqueda automática, los canales aparecerán en un orden predefinido. Se puede omitir canales, modificar el orden predefinido, o renombrar los canales.

Uso del televisor

Acceso a los canales

Uso de los botones numéricos: pulsar los botones numéricos correspondientes, para acceder a los distintos canales.

Uso de los botones CH+/- or CH ^/V: para desplazarse por los canales.

Ver dispositivos conectados

Pulsar repetidamente **SOURCE** en el mando u **OK/>** en el televisor, para cambiar entre TV y otros dispositivos de entrada. Para volver al visionado de la TV, pulsar cualquier botón numérico para entrar en el canal, mientras que con **CH+/-** se navegará por todos los canales de TV y otras fuentes de

entrada.

*Nota: No todos los modelos incorporan el botón **OK/>** en el equipo.*

Volumen

Control de volumen: usar los botones **VOL </>** en el TV o los botones **VOL+/-** en el mando para regular el volumen.

Silenciar sonido: pulsar el botón **MUTE** para silenciar temporalmente el sonido. Vuelva a pulsar este botón o el botón **VOL+** para restaurarlo.

Uso de los menús del televisor

1. Pulsar **MENU** para mostrar el menú principal. (Figura 3).
 2. Para seleccionar el elemento deseado pulsar **^/V/</>** y **OK/>** para abrir el submenú correspondiente.
 3. En los submenús usar **^/V** para seleccionar las opciones, y **</>** para configurar las funciones o cambiar los valores. Activar una configuración con **OK/>**. Usar **OK/>** para abrir el submenú correspondiente.
 4. Para volver al anterior menú, pulsar **BACK**.
 5. Para cerrar el menú, pulsar **EXIT**.
- Nota: Algunas opciones pueden no estar disponibles para ciertas fuentes de señal.*

Selección de idioma en el menú

Se puede elegir idioma siguiendo las instrucciones:

1. Para ver el menú principal, pulsar **MENU**.
2. Pulsar **^/V/</>** para seleccionar **SETUP**, y **OK/>** para acceder.
3. Seleccionar **Language** y pulsar **OK/>** para acceder.
4. Seleccionar **Menu Language** y pulsar **</>** para elegir el idioma deseado.
5. Pulsar **EXIT** para cerrar el menú.

Otros usos del televisor

Instalación de canales favoritos

Se puede crear una lista de canales favoritos.

1. Pulsar **CH.LIST**.
2. Pulsar el botón amarillo para acceder a **CHANNEL LIST SELECTION**. Para seleccionar la lista de favoritos, pulsar **^/V** y **OK/>** para acceder.
3. Pulsar el botón azul para editar la lista

de favoritos. Navega por la lista de canales con **▲/▼** y pulsa **OK/▶** para seleccionar o rechazar.

4. Repetir el proceso para configurar los demás canales favoritos.
5. Pulsar **CH.LIST/EXIT** para salir.

Ahorro de energía

1. Pulsar **MENU** en el mando a distancia y seleccionar **PICTURE > ECO Settings > Energy Saving**.
2. Pulsar **</>** para seleccionar y lograr el modo de ahorro de energía deseado.
3. Pulsar **EXIT** para cerrar el menú.

Método abreviado: pulsar **ECO** en el mando a distancia para ejecutar la misma función.

Función PAP

Para mostrar las imágenes de diferentes fuentes de entrada, una junto a otra. Hay que tener en cuenta que una ventana es para entradas de TV analógicas y digitales, la otra es para entradas VGA, HDMI y CMP. *(Nota: no está disponible para AV-Scart en ambas ventanas.)*

1. Para ver el menú principal, pulsar **MENU**.
2. Seleccionar **PAP** y **OK/▶** para acceder.
3. Seleccionar **PAP**, y pulsar **</>** para conectar/desconectar la función **PAP**.
4. Seleccionar **TV Position**, pulsar **</>** para desplazar la ventana del TV.
5. Pulsar **</>** para cambiar la ventana seleccionada.
6. Cuando el foco está en la ventana de TV, los botones numéricos y **CH+/-** funcionan con la TV. Cuando el foco está en la otra ventana, **CH+/-** alterna entre las fuentes externas disponibles.

Uso de subtítulos

Se pueden activar subtítulos para cada canal de TV. Los subtítulos son emitidos a través del Teletexto o de las emisiones digitales DVB-T/DVB-C. Con las emisiones digitales, existe la opción adicional de seleccionar un idioma de subtítulos preferido.

Conectar/desconectar los subtítulos

1. Pulsar **MENU** en el mando a distancia y seleccionar **OPTIONS > Subtitle**.
2. Pulsar **OK/▶** para acceder. (Figure 4.)
3. Seleccionar la opción **Subtitle** y con **</>** seleccionar **On/Off** para activar/

desactivar los subtítulos.

Activar idiomas de subtítulos en canales de TV digital

1. Pulsar **MENU** en el mando a distancia y seleccionar **OPTIONS > Subtitle > Digital Subtitle Language**.
2. Con **</>** seleccionar el idioma de los subtítulos que se prefiera.
3. Con **▲/▼** seleccionar **Digital Subtitle Language 2nd**.
4. Con **</>** seleccionar un idioma secundario para los subtítulos.
5. Pulsar **EXIT** para cerrar el menú.

Método abreviado: pulsar **SUBT** en el mando a distancia para seleccionar directamente un idioma de subtítulos disponible para el programa digital de TV.

Seleccionar un tipo de subtítulos en canales de TV digital

1. Pulsar **MENU** en el mando a distancia y seleccionar **OPTIONS > Subtitle > Subtitle Type**.
2. Pulsar **</>** para seleccionar un tipo de subtítulos. Puede seleccionar **Hearing Impaired** para mostrar los subtítulos para sordos en el idioma seleccionado.

Selección de idioma en la página de decodificación del Teletexto

Pulsar **MENU** en el mando a distancia y selecciona **OPTIONS > Teletext > Decoding Page Language**. Seleccionar un tipo adecuado de idioma en el que aparecerá el teletexto.

Idioma del Teletexto digital

En los canales de televisión digitales, la TV podría conectarse a un servicio con varias páginas de teletexto iniciales en distintos idiomas. Esta función permite seleccionar un idioma disponible como idioma principal para páginas de teletexto iniciales distintas. Pulsar **MENU** en el mando y selecciona **OPTIONS > Teletext > Digital Teletext Language**. Utiliza **</>** para la selección.

Tipo SPDIF

Conectar un dispositivo de audio a la salida **SPDIF**. Pulsar **MENU** en el mando a distancia y seleccionar **OPTIONS > SPDIF Type**. Seleccionar un tipo de

sonido adecuado de la lista de programas digitales.

- Si el programa actual emite sonido en formato **Dolby D**, se puede seleccionar **PCM** o **Dolby D**.
- Si el programa actual no emite sonido en formato **Dolby D**, solo se puede seleccionar **PCM**. En caso contrario no se emitirá ningún sonido.
- Seleccionar **Off** para apagar la salida de audio desde el dispositivo de audio conectado a la salida **SPDIF**.
- **Tipo SPDIF**

Conectar un dispositivo de audio a la salida **SPDIF**. Pulsar **MENU** en el mando a distancia y seleccionar **OPTIONS > SPDIF Type**. Seleccionar un tipo de sonido adecuado de la lista de programas digitales.

- Si el programa actual emite sonido en formato **Dolby D**, se puede seleccionar **PCM** o **Dolby D**.
- Si el programa actual no emite sonido en formato **Dolby D**, solo se puede seleccionar **PCM**. En caso contrario no se emitirá ningún sonido.
- Seleccionar **Off** para apagar la salida de audio desde el dispositivo de audio conectado a la salida **SPDIF**.

*Nota: Las opciones disponibles dependerán del programa que se esté viendo. Si se elige **PCM** y el sonido se adelanta a la imagen se puede elegir **SPDIF Delay** en **OPTIONS** del menú y pulsar **</>** para regular el tiempo y sincronizar el sonido y la imagen.*

T-Link

Para buscar los dispositivos CEC conectados a salidas HDMI de su televisor y permitir una reproducción de un toque y un standby de un toque entre los dispositivos CEC.

Activar o desactivar el T-Link

1. Pulsar **MENU** en el mando a distancia, y después seleccionar **Options > T-Link**.
2. Pulsar **</>** para seleccionar **On** u **Off**.

Uso de reproducción un toque

La reproducción un toque le permite pulsar el botón de reproducción, por ejemplo, del mando a distancia del DVD. Esto inicia la reproducción de su dispositivo DVD y, de forma automática, cambia su televisor a la fuente.

Uso del standby del sistema

Función de sistema en espera. Pulsar el botón Φ (p.ej., del mando a distancia del dispositivo), para que el televisor y todos los dispositivos HDMI conectados, entren en modo de espera.

Actualización de redes

Pulsar **MENU** en el mando a distancia y a continuación seleccionar **Options > Network update**. Seleccionar **On/Off** para habilitar o deshabilitar la función de actualización de redes.

- Cuando esta función esté activada, el TV actualizará automáticamente los canales, si el proveedor de servicio DTV actualiza sus cadenas DTV.
- Cuando esta función esté desactivada, se necesita realizar de nuevo la búsqueda de canales o borrar los canales no disponibles, si el proveedor de servicio DTV añade o elimina canales de las cadenas DTV.

Interfaz común

Los canales digitales de TV codificados se pueden decodificar con un módulo de interfaz común y una tarjeta que proporciona el operador de servicio de TV digital.

El módulo de interfaz común puede activar varios servicios digitales, dependiendo del operador y de los servicios que se escojan (por ejemplo, TV de pago). Hay que ponerse en contacto con el operador de servicios de TV para obtener más información sobre condiciones y servicios.

Uso del módulo de interfaz común.

ADVERTENCIA: Desconectar el TV antes de insertar un módulo de interfaz común. Hay que asegurarse de seguir las instrucciones que se detallan a continuación. Una inserción incorrecta de un módulo de interfaz común puede dañar tanto el módulo como el TV.

1. Seguir las instrucciones impresas en el módulo de interfaz común, e insertar suavemente el módulo en la ranura de la interfaz común del TV.
2. Empujar el módulo hasta donde alcance.
3. Encender el TV y esperar a que se active la función de interfaz común. Esto puede tardar varios minutos.

Nota: No retirar el módulo de interfaz común de la ranura. En caso de hacerlo, se desactivarán los servicios digitales.

Acceso a servicios de interfaz común

Tras insertar y activar el módulo de interfaz común, pulsar **MENU** en el mando a distancia y seleccionar **Options > Common interface**.

Esta opción de menú solo está disponible si el módulo de interfaz común está insertado y activado correctamente. El operador de servicios de TV digital ofrece las aplicaciones y el contenido en pantalla.

Actualización del software

Pulsar **MENU** en el mando a distancia y seleccionar **Options > Software update**. Pulsar **OK/>** para acceder. (Figura 5).

- **Current version:** Comprobar la versión actual del software.
- **Product name:** muestra el nombre del producto del equipo.
- **Serial Number**(si está disponible): muestra el número de serie del TV.
- **By Network:** permite descargar e instalar la última versión de software de Internet. Antes configura una conexión de red con o sin cables, seleccionar **By Network** y pulsar **OK/>** para acceder. Para continuar, seguir las instrucciones que aparecen en pantalla.
Nota: conectar un dispositivo USB al TV antes de iniciar la actualización del software.
- **By Channel:** permite instalar la última versión software sim está disponible. Seleccionar **By Channel** y pulsar **OK/>** para acceder.
- Usar **</>** para seleccionar **Yes** dentro de **Auto download** y descargar automáticamente el último software, si está disponible. Tras haber descargado el software con éxito, pedirá que se decida si se quiere instalar en el momento. Si es así, seguir los consejos de la pantalla para completar la instalación. Aquí también se puede seleccionar la opción de ignorar la instalación.
- Seleccionar **No** dentro de **Auto download**, para rechazar la descarga automática.
- Seleccionar **Manual Download** y pulsar **OK/>** para comenzar la exploración manual del último software. Siga los

consejos de la pantalla para completarla. Durante la búsqueda, pulse **OK/>/EXIT** para cancelar el proceso o salir.

Cambiar al modo tienda o casa

1. Pulsar **MENU** en el mando a distancia y seleccionar **Options > Location**.
2. Pulsar **</>** para seleccionar la ubicación: **Shop** o **Home**.
3. Pulsar **EXIT** para salir.

*Nota: Según la norma de la Comisión Europea 2009/125/EC, en modo doméstico, la TV pasará automáticamente a modo en espera si no se activa ninguna función durante 4 horas. Esta característica se puede desactivar en el menú **Options**.*

Función MHEG

Algunas empresas de radiotelevisión ofrecen servicios interactivos o de texto digital (p.ej., BBC1). Estos servicios funcionan igual que el teletexto normal y utilizan los botones numéricos, de color y de navegación.

1. Pulsar **MENU** en el mando a distancia y seleccionar **Options > Subtitle > Subtitle**
2. Pulsar **</>** para establecer la opción **Subtitle** en **Off**.

*Nota: La función **MHEG** y los subtítulos son mutuamente excluyentes y no pueden coexistir en la misma pantalla. Si se establece la opción **Subtitle** en **On**, la función **MHEG** no estará disponible.*

3. Pulsar el botón rojo o el botón **TEXT** en el mando a distancia.
4. Pulsar **^/∇/</>** para seleccionar o resaltar elementos.
5. Pulsar **OK/>** para confirmar o activar.
6. Pulsar una de las teclas de color para seleccionar una opción.
7. Pulsar **TEXT** o **EXIT** para salir.

Ver imágenes, reproducir música y ver vídeos desde un dispositivo de almacenamiento USB

El TV está equipado con un conector USB, que permite ver imágenes, escuchar música o ver vídeos almacenados en un dispositivo USB. Formatos de archivo compatibles: Foto: JPEG. Música: MP3. Vídeo: AVI, MP4, MPG, MPEG, TS.

Nota: Algunas memorias USB y otros productos USB como las cámaras digitales o los teléfonos móviles no son totalmente compatibles con el estándar USB 2.0, así que quizás no funcionen con el reproductor

multimedia del TV. No todas las memorias o dispositivos USB son compatibles para la función USB. No todos los formatos mencionados anteriormente están soportados. El formato de codificación de los archivos, determinará si pueden o no usarse. Al detectarse un dispositivo USB, entrar directamente en el menú USB.

Fotografías

Para mostrar fotos, si está disponible.

1. Seleccionar **USB > Photo**, después pulsar **OK/>** para acceder al explorador principal de archivos.
2. En el explorador principal de archivos, usar **^/V/</>** para seleccionar una foto o una carpeta de archivos interna.
3. Seleccionar una subcarpeta de archivos pulsar **OK/>** para abrirla.
4. Usar **^/V/</>** para seleccionar una foto en el explorador de archivos principal o en el de sub-archivos y pulsar **MENU** para mostrar el menú de fotos en el modo carpeta.
 - **Sort:** Ordenar carpetas y fotos por Fecha de modificación o por Nombre.
 - **Edit:** Copiar, pegar o eliminar una foto seleccionada.
 - **Parser:** se puede seleccionar **Recursive** para mostrar las fotos de todas las carpetas de los sub-archivos.
5. Seleccionar una foto, pulsar **OK/>** para ver, y dará comienzo una presentación de diapositivas a partir de la foto seleccionada. Pulsar **■** para poner en pausa la foto si desea girar la foto pausada. Pulse **MENU** para visualizar el menú de fotos en el modo de búsqueda. Puede reproducir, pausar o rotar la foto, seleccionar el modo de reproducción diferente y el efecto a mostrar, etc.
6. Pulsar los botones correspondientes en el mando a distancia para utilizar las funciones disponibles que se muestran en la barra de funciones en la parte inferior de la pantalla del televisor.

Música

Si esta opción está disponible:

1. Seleccionar **USB > Music**, y pulsar **OK/>** para entrar en el explorador principal de archivos.
2. Usar **^/V/</>** para seleccionar una canción tanto en el explorador principal, como en el de sub-archivos; pulsar **MENU**

para mostrar el menú de música en el modo carpeta.

- **Sort:** para ordenar las carpetas y canciones por Nombre, Género, Artista, o por Álbum.
 - **Edit:** para copiar, pegar o eliminar una canción seleccionada.
 - **Parser:** se selecciona **Recursive** para mostrar las canciones de todas las carpetas de sub-archivos.
3. Seleccionar una canción, pulsar **OK/>** para reproducirla, y se inicia una reproducción automática de la canción seleccionada. Pulsar **MENU** para visualizar el menú de música en el modo explorador. Puede reproducir o pausar la canción, seleccionar un modo de reproducción diferente, etc.
 - **Show lyrics:** Esta opción está disponible para las canciones con letra. Seleccionar y pulsar **</>** para activar/desactivar la visualización de letra sincronizada.
 - **Audio only:** Seleccionar y pulsar **OK/>**; se puede escuchar música con la pantalla apagada. Se encenderá la pantalla pulsando cualquier tecla.
 4. Pulsar los botones correspondientes en el mando a distancia para utilizar las funciones disponibles que se muestran en la barra de funciones en la parte inferior de la pantalla del televisor.

Vídeo

Si esta opción está disponible:

1. Seleccionar **USB > Video** y pulsar **OK/>** en el explorador principal de archivos.
2. Usar **^/V/</>** para seleccionar un vídeo, tanto en el explorador principal como en el de sub-archivos; pulsar **MENU** para mostrar el menú de vídeo en el modo carpeta.
 - **Sort:** para ordenar las carpetas y vídeos por Tipo, Fecha de modificación, o por Nombre.
 - **Edit:** para copiar, pegar o eliminar un vídeo seleccionado.
 - **Parser:** se puede seleccionar **Recursive** para mostrar los vídeos de todas las carpetas de sub-archivos.
3. Seleccionar un vídeo, pulsar **OK/>** para verlo y se inicia una reproducción automática del vídeo seleccionado. Pulsar **MENU** para visualizar el menú de vídeo en el modo explorador. Se puede reproducir o pausar el vídeo, seleccionar un modo de

reproducción diferente, modo de pantalla y configuración de imágenes predefinidas etc.

4. Pulsar los botones correspondientes en el mando a distancia para utilizar las funciones disponibles que se muestran en la barra de funciones en la parte inferior de la pantalla del televisor.

DivX vídeo

(* no disponible en algunos modelos).

DIVX VIDEO: DivX® es un formato de vídeo digital creado por DivX, LLC, empresa subsidiaria de Rovi Corporation. Este es un dispositivo oficial DivX Certified® que reproduce vídeos DivX. Para más información y conseguir herramientas de software para convertir archivos en vídeos DivX, entrar en divx.com.

VÍDEOS DIVX POR ENCARGO: este dispositivo DivX Certified® se debe registrar para poder reproducir películas DivX Video-on-Demand, VOD (vídeos de por encargo).

Para obtener el código de registro:

- Pulsar **MENU** en el mando a distancia.
- Seleccionar **OPTIONS > DivX(R) Registration**.
- Pulsar **OK/>** y se mostrará el código de registro.

Entrar en vod.divx.com para más información sobre la forma de completar el registro.

Para eliminar el registro del TV:

Para eliminar el registro:

- Pulsa **MENU** en el mando a distancia.
- Seleccionar **OPTIONS > DivX(R) Deregistration**.
- Pulsar **OK/>** y se recibirán mensajes de guía.

DivX®, DivX Certified® y los logos asociados son marcas registradas de Rovi Corporation o empresas subsidiarias y se utilizan con licencia.

Asignar un decodificador de canal

Los decodificadores de canales analógicos, se pueden conectar a un conector AV.

Asignar el canal de TV como canal para decodificar. Después asignar la conexión donde se vaya a conectar el decodificador.

1. Pulsar **MENU** en el mando a distancia y seleccionar **Setup > Decode**.
2. Pulsar **OK/>** para acceder a la lista.
3. Pulsar **▲/▼** para seleccionar el canal a decodificar.

4. Pulsar **OK/>** para seleccionar o no el canal.
5. Pulsar **BACK** para volver al menú anterior.

Diagnóstico de los canales de televisión digitales

1. Pulsar **MENU** en el mando a distancia y seleccionar **Setup > Diagnostics**.
2. Pulsar **OK/>** para ver la información de la señal del canal digital actual, como intensidad de la señal, frecuencia, etc.

Desplazamiento de tiempo: Time shift

Permite poner en pausa, hacer avanzar o retroceder un programa. Antes de usar esta función, conectar un dispositivo USB al TV. La primera vez se debe configurar el disco para el dispositivo USB.

Nota: La función de cronodesplazamiento no está disponible para Finlandia debido a requerimientos específicos del país.

1. Pulsar **MENU** en el mando a distancia y seleccione **Setup > Time shift**.
2. Pulsar **</>** para seleccionar **On**, para activar la función de desplazamiento de tiempo, y pulsar **EXIT** para cerrar el menú.
3. Pulsar **OPTION** en el mando a distancia, seleccionar **Time shift**, y **OK/>** para confirmar.
4. Seguir las instrucciones que aparecen en la pantalla para hacer la configuración.
5. Una vez terminada la configuración del disco, pulsar **OPTION** y seleccionar **Time shift**.
6. Pulsar **OK/>** para mostrar el menú de cronodesplazamiento.
 - Pulsar el botón **⏸** para pausar la imagen y comenzar **Time shift**.
 - Pulsar el botón **▶** para reproducir la parte grabada.
 - Cuando el menú **Time shift** desaparece y sólo el cálculo permanece en pantalla, se puede pulsar el botón **▶** u **OK/>** para acceder al menú Time Shift.
 - Pulsar el botón **⏪** para retroceder rápido o el botón **⏩** para avanzar rápido.
 - Pulsar el botón **■** para salir de la función Time Shift.

Notas:

-Antes de conectar el dispositivo USB al TV, hay que asegurarse de que hayan guardado los datos del dispositivo, para evitar una pérdida de datos importantes debido a un fallo imprevisto.

- Recomendamos utilizar un dispositivo USB con un espacio libre de almacenamiento mayor de 1GB y una velocidad de disco mayor que 5.0MB/seg.

-Cuanto mayor sea el espacio para Time shift, más largo será el tiempo de grabación.

-Si se cambia de canal en Time shift, un mensaje pedirá seleccionar **Yes** o **No**. Se puede seleccionar **Yes** para salir de la función Time shift y ejecutar el cambio de canal.

Restablecer valores de fábrica Permite restablecer los valores de fábrica del televisor.

1. Pulsar **MENU** en el mando a distancia, seleccionar **Setup** y, a continuación, pulsar **OK/>>** para confirmar.
2. Seleccionar **Reset shop** y pulsar **OK/>>** para acceder.
3. Utilizar los botones numéricos para introducir la contraseña.
4. Pulsar **</>** para seleccionar **OK/>>** y, a continuación, pulsar **OK/>>** para confirmar.
5. Se mostrará el menú **Initial setup**. Seguir las instrucciones al respecto.

Personalizar los ajustes de entrada

Se puede configurar el TV según el equipo que se conecte al mismo.

1. Pulsar **MENU** en el mando a distancia y seleccionar **Setup > Input settings**.
2. Pulsar **OK/>>** para acceder.
3. Pulsar **▲/▼** para seleccionar un conector al que el equipo esté conectado.
4. Pulsar **</>** para seleccionar el tipo de aparato enchufado, a este conector.
5. Pulsar **BACK** para volver al menú **Setup**. Tras la configuración, pulsando **SOURCE** en el mando a distancia u **OK/>>** en el televisor, se mostrará la etiqueta de la fuente seleccionada, junto con el nombre del conector correspondiente, en la lista de fuentes.

Uso de la guía electrónica de programas

EPG es una guía en pantalla, que muestra programas de TV programados. Se puede navegar, seleccionar y visionar programas.

1. Pulsar **GUIDE** en el mando a distancia, aparecerá el menú **Now and Next EPG**, que permite obtener información sobre el programa actual o el siguiente, que se

reproduzca en cada canal. Navegar por los diferentes programas utilizando los botones de navegación del mando a distancia.

2. Usar las teclas de colores para ver 8 Days EPG.

Prev day (Rojo): muestra la EPG del día anterior.

Next day (Verde): muestra la EPG del día siguiente.

View detail (Amarillo): muestra la descripción acerca de este programa, si está disponible.

Type filter (Azul): filtro de guía de programas para programas de TV digital. Pulsar el botón azul para mostrar el tipo de programa y la lista de subtipos. Navegar a través de los diferentes tipos y subtipos usando las teclas de navegación del mando a distancia. Seleccionar uno o más tipos que se desee destacar de la lista **Type**, y pulsar **OK/>>** para seleccionarlo (o rechazarlo). Aparecerá una casilla a la izquierda del tipo cuando se seleccione. Cuando se seleccione un tipo, se seleccionarán consecuentemente todos sus subtipos.

Asimismo se pueden seleccionar varios subtipos deseados, sin seleccionar ningún tipo en primer lugar.

Pulse el botón azul para salir de la lista de tipos y subtipos. Tras el filtrado, se destacarán todos los programas de TV digital deseados.

3. Pulsar **GUIDE/EXIT** para salir del **EPG** y cambiar al canal seleccionado.

PVR (Personal Video Recorder)

Permite grabar un programa de TV favorito. Antes de usar esta función, conectar primero un dispositivo de memoria **USB** al aparato.

Nota: debido a requerimientos específicos nacionales, la función PVR no está disponible para Finlandia.

1. Pulsar **OPTION** en el mando a distancia y seleccionar **QUICK ACCESS > PVR**.
2. Pulsar **OK/>>** para acceder.

Operación de acceso directo: Pulsar **REC** en el mando a distancia para entrar en el menú **PVR** directamente.

3. Pulsar el botón **REC** para comenzar la grabación; el archivo de grabación se coloca en una carpeta PVR en **MEDIA > VIDEO**.

Utiliza el botón ■ para detener la grabación de forma manual; si la duración de la grabación finaliza, la grabación se detendrá en forma automática.

Pulsar **▲/▼/◀/▶** para ajustar la duración de la grabación.

4. Durante la grabación, un mini-panel **PVR** aparecerá en pantalla para mostrar el progreso de grabación.

5. Para ver el programa grabado, salir del modo **PVR** primero e ir a **MEDIA > VIDEO**. Seleccionar la carpeta **PVR**, a continuación seleccionar grabado. Presionar **OK/▶** para reproducir. (Es lo mismo si se graba un programa de la radio digital).

Notas:

- Cuando se use una tarjeta CI+, la función PVR estará inhabilitada. Sólo disponible para canales digitales.
- Solamente soporta dispositivos de memoria USB en formato FAT32.
- Antes de conectar el dispositivo USB al equipo, hay que asegurarse de hacer una copia de seguridad de los datos en el dispositivo para evitar la pérdida de datos importantes debido a un fallo de funcionamiento imprevisto.
- Cuanto mayor sea el tamaño de la memoria del dispositivo USB para la función PVR, más largo será el tiempo de grabación.
- Para cambiar de canal o fuente de señal mientras se está grabando, hay que almacenar los datos grabados antes de hacer el cambio de canal o de fuente de señal.
- El aparato normalmente no puede reproducir archivos, si los parámetros exceden los límites del sistema, si el tipo de archivo no está soportado, o si no se puede decodificar el archivo.
- No desconectar el dispositivo de memoria USB cuando el sistema esté leyendo un archivo o transmitiendo datos, de lo contrario se puede averiar el sistema o el dispositivo USB.

Lista de programaciones

Esta función se utiliza para realizar grabaciones programadas.

1. Pulsar **OPTION** en el mando a distancia y seleccionar **Quick access > Schedule list**.
2. Pulsar **OK/▶** para mostrar la lista de programaciones.

3. Para añadir una programación a la lista de programaciones, pulsar el botón rojo primero para mostrar la **Schedule list**. Después:

Schedule number: usar **◀/▶** para seleccionar el número del canal.

Start date: usar los botones numéricos para establecer la fecha de grabación.

Start time: para establecer la hora de comienzo de la grabación.

Stop time: para establecer la hora de finalización de la grabación.

Schedule type:

- Establecer **Reminder** para que se recuerde que se puede cambiar a los programas programados, cuando llegue la hora que se haya establecido. Cuando se acabe el tiempo y no se haya ejecutado ninguna operación, la caja de diálogo desaparecerá y no se ejecutará ninguna operación más.
- Configurar **Record** para asegurarse de que realmente se quiere comenzar la grabación programada cuando llegue la hora que se estableció. Cuando llegue la hora y no se haya realizado ninguna operación, la grabación programada comenzará automáticamente.

Repeat type: para establecer diferentes modos de repetición de grabación.

4. Pulsar **▲/▼/◀/▶** para seleccionar **Add** y después pulsar **OK/▶** para añadir la programación que se ha configurado a la lista de programaciones.

5. Pulsar el botón rojo para repetir los procedimientos anteriores y añadir otra programación.

6. Si desea editar o eliminar una programación, hay que seleccionarla y pulsar **OK/▶** para acceder.

7. Pulsar **EXIT** para cerrar el menú.

Conexión de redes

Se puede configurar el acceso de la TV a través de la red local (LAN) con una conexión inalámbrica o por cable.

Conectarse a una red por cable

Puede agregar su TV a su LAN utilizando cable, de tres formas:

- Se puede agregar el TV a una LAN, conectando el puerto LAN de la TV a un módem externo, utilizando un cable Cat 5.

- Se puede agregar la TV a una LAN, conectando el puerto LAN de la TV a un Repartidor de IP que esté conectado a un módem externo. Utilizar cable de Cat 5 para la conexión.

- Dependiendo de cómo esté configurada la red, se puede agregar la TV a una LAN, conectando el puerto LAN de la TV directamente a una toma de red, utilizando cable de Cat 5. Hay que tener en cuenta que la toma de red debe estar conectada a un módem o un router en alguna otra parte de la casa.

Seleccionar **SETUP > Network > Settings > Interface**, después seleccionar **Ethernet** para conectarse a una red por cable.

Conectarse a una red inalámbrica

Para conectar la TV a una red de manera inalámbrica, se necesita un router o módem inalámbricos y un Adaptador de LAN Inalámbrica. Conectar el Adaptador USB Inalámbrico (dongle USB), que deberá comprarse por separado, al puerto **USB 1** de la TV.

1. Seleccionar **SETUP > Network > Settings > Interface** y después seleccionar **Wireless** para conectarse a una red inalámbrica.

2. Seleccionar **Wireless setting** y pulsar **OK/>/>** para entrar.

3. **Connection methods**: se puede configurar la conexión a una red inalámbrica de tres maneras.

Scan

- Seleccionar **Wireless setting > Scan** y después pulsar **OK/>** y se mostrarán los puntos de acceso encontrados por el TV.
- Seleccionar un punto de acceso disponible, y pulsar **OK/>** para conectar en él la TV.

*Notas: si se selecciona un punto de acceso protegido, se tendrá que introducir la correspondiente contraseña. Pulsar **OK/>** en el mando a distancia para visualizar un teclado virtual que permita introducir la contraseña.*

Este ajuste tiene una función de memoria de puntos de acceso disponibles, que permite que el equipo se conecte a la red, incluso cuando se apague y se vuelva a encender.

Manual

Seleccionar **Wireless setting > Manual** y pulsar **OK/>**; pedirá que se introduzca el SSID correcto de un router inalámbrico disponible para configurar la conexión.

Auto

Si el AP soporta WPS (Configuración de Wi-Fi Protegida), se puede conectar a la red a través de un PIN (Número de Identificación Personal) o de PBC (Configuración de Pulsación de Botón). WPS configurará automáticamente el SSID y la tecla WPA en cualquiera de los modos.

Seleccionar **Wireless setting > Auto** y pulsar **OK/>** para entrar.

PIN

- Seleccionar **PIN** y pulsar **OK/>/>** para entrar. Se genera un código PIN aleatorio. Hay que asegurarse de que este código esté instalado en el AP. (Para los procedimientos, consultar el manual del router.) Pulsar **OK/>** de nuevo, para configurar la conexión.

- **PBC**: Si el router tiene un botón PBC, seleccionar **PBC** y después pulsar **OK/>** para entrar. Pulsar el botón PBC en el router antes de 2 minutos tras haber pulsado de nuevo **OK/>**. El TV adquirirá automáticamente todos los valores de ajustes de red que se necesite y se conectará a la red.

Configuración de Red

1. Pulsar **MENU** en el mando a distancia y seleccionar **SETUP > Network > Settings > Internet connection**. Pulsar **</>**

para seleccionar **On**. Espere hasta que la conexión se establezca automáticamente.

2. Seleccionar **SETUP > Network > Settings > Connection test** y después pulsar **OK/>** para comprobar la conectividad de Internet. Si no funciona, siga los pasos siguientes para asegurar la conectividad.

3. Seleccionar **SETUP > Network > Settings > IP setting** y después pulsar **OK/>** para entrar al menú **IP setting**.

- Ajustar el **Address type** a **Auto**, para obtener e introducir la dirección IP necesaria de forma automática.

- Se pueden seguir los pasos siguientes para introducir la dirección IP de forma manual.

- Ajustar el **Address type** a **Manual**, y pulsar **V** para acceder al primer campo de entrada.

- Introducir los valores de **IP address**, **Subnet mask**, **Default gateway**, **Primary DNS** y **Secondary DNS**. Utilizar los botones de dígitos para introducir números, y los botones de flecha para moverse de un campo de entrada a otro.

- Tras los ajustes, seleccionar **SETUP > Network > Settings > Connection test** para comprobar la conectividad de Internet de nuevo.

4. Seleccionar **SETUP > Network > Settings > Information** y después pulsar **OK/>** para ver la información de la conexión actual, como la Interfaz, Tipo de Dirección, Dirección IP, etc..

Examinar el ordenador a través de Share & See

Se pueden reproducir en la TV las fotos, vídeos o archivos de música almacenados en un ordenador conectado a través de una red doméstica.

Conectar el ordenador

Primero hay que establecer una conexión por cable o inalámbrica desde el TV al router. Luego, hay que conectar el ordenador al router ya sea a través de un cable de red o de forma inalámbrica. También hay que comprobar que está **On** en **SETUP > Network > Settings > Internet connection** y de que la barrera de control de accesos no bloquee la conexión.

Activar la función Share & See

Seleccionar **SETUP > Network > Applications > Share & See**, y configurarlo en **On**.

Seguir los pasos en el orden que se especifica a continuación.

Agregar multimedia para compartir desde el ordenador

Instalar un servidor multimedia Share & See en el ordenador. Un servidor sencillo y familiar es Microsoft Windows Media Player 11. Permite que el TV comparta los archivos designados en el ordenador.

1. Abrir Microsoft Windows Media Player 11. Seleccionar **Library > Media sharing**.

Marcar la casilla **Share my media to**.

Seleccionar el icono del televisor conectado al ordenador.

Seleccionar **Allow** para permitir que el televisor acceda al ordenador, y seleccionar **OK/>** para activar el permiso.

*Nota: utiliza el botón **Settings** para realizar ajustes personalizados.*

2. Seleccionar **Library > Add to Library**.

Seleccionar carpetas personales o las carpetas de otros usuarios a las que se quiera acceder para compartir.

Seleccionar **Add** y presionar **OK/>** para activar lo que se agregó.

Aplicación Share & See

Seleccionar **MEDIA** en el menú principal y pulsar **OK/>** para acceder al centro multimedia. Después se podrán ver fotos, escuchar música o mirar vídeos que estén almacenados en el ordenador.

Smart TV

Permite disfrutar de Aplicaciones de Internet (Apps) y sitios web de Internet especialmente adaptados para la TV. Se pueden controlar las aplicaciones con el mando a distancia del TV.

ADVERTENCIA:

- Configurar los ajustes de red antes de usar **Smart TV**.

- Puede que tenga respuestas lentas y/o interrupciones, dependiendo de las condiciones de la red.
- Si se produce algún problema usando una aplicación, ponerse en contacto con el proveedor de los contenidos.
- Según el proveedor de contenidos, una actualización de una aplicación o la propia aplicación misma puede estar obsoleta.

2. Utilizar **^/V/</>** para seleccionar una aplicación y pulsar **OK/>** para acceder.

HbbTV

Algunos emisores de canales digitales ofrecen HbbTV (televisión híbrida de radiodifusión y banda ancha interactiva). Con HbbTV, los emisores combinan su programa de TV normal con todos los tipos de información o de entretenimiento. Se puede analizar esta información de forma interactiva. Para disfrutar de HbbTV completamente, hay que conectar el TV a Internet.

- Dependiendo de las leyes del país, algunas aplicaciones pueden tener un servicio limitado o incluso no estar
- Dependiendo de las leyes del país, algunas aplicaciones pueden tener un servicio limitado o incluso no estar soportadas.

Acceder a aplicaciones de Smart TV (Apps)

1. Seleccionar **SMART TV** en el menú principal y pulsar **OK/>** para mostrar la página de inicio de Smart TV.

Operación de acceso directo: Pulsar **SMART TV** en el mando a distancia para mostrar la página de inicio de Smart TV directamente.

2. Utilizar **▲/▼/◀/▶** para seleccionar una aplicación y pulsar **OK/>** para acceder.

HbbTV

Algunos emisores de canales digitales ofrecen HbbTV (televisión híbrida de radiodifusión y banda ancha interactiva). Con HbbTV, los emisores combinan su programa de TV normal con todos los tipos de información o de entretenimiento. Se puede analizar esta información de forma interactiva. Para disfrutar de HbbTV completamente, hay que conectar el TV a Internet.

Nota: No se pueden descargar archivos en el TV con esta característica.

Acceder a HbbTV

Cuando se sintoniza un canal de TV que ofrece HbbTV, pulsar el botón rojo para abrir las páginas interactivas. Luego, utilizar **▲/▼/◀/▶** para navegar las páginas de HbbTV y **OK/>** para confirmar.

Notas relativas a la contraseña en la función de bloqueo del control parental:

- la contraseña por defecto es 1234.

- Se puede cambiar por una nueva.

- La súper contraseña es 0423. Si se olvida el código, introducir la súper contraseña para sobrescribir en cualquier código anterior.

Resolución de pantalla:1920X1080

Ponerse en contacto con IKEA

Para plantear alguna pregunta sobre una TV UPPEVA o sistema de sonido, o cuando se necesita servicio y asistencia, hay que ponerse en contacto con el Servicio de Atención al Cliente de IKEA en www.IKEA.es. Para garantizar que ofrecemos el mejor servicio posible, por favor, leer atentamente el manual antes de ponerse en contacto con nosotros y tener a mano el número de artículo que se haya adquirido. El número de artículo de ocho dígitos aparece en el ticket de compra o en la parte posterior de la TV UPPEVA o sistema de sonido.

Informazioni importanti

Sicurezza

Assicurarsi che la tensione della rete elettrica domestica sia compatibile con quella indicata sulla targhetta situata sul retro dell'apparecchio. Quando si usa la spina di alimentazione o un connettore come dispositivo di sezionamento, questo deve essere facilmente accessibile.

In alcuni modelli, l'indicatore luminoso è posizionato sul lato del televisore. L'assenza d'indicazione luminosa sul fronte del televisore non significa che questo sia completamente scollegato dall'alimentazione. Per fare ciò, è necessario staccare la spina di alimentazione.

I componenti del televisore sono sensibili al calore. La **temperatura ambiente massima** non deve superare 35°C. Non ostruire le aperture di ventilazione situate sul retro o ai lati dell'apparecchio. Lasciare uno spazio sufficiente intorno al televisore per consentire la corretta ventilazione. Posizionare l'apparecchio lontano da fonti di calore (ad es. camini, ecc.) o da dispositivi che generano forti campi elettrici o magnetici.

L'umidità relativa nei locali in cui viene collocato l'apparecchio non deve superare l'85%. **L'apparecchio non deve essere esposto a spruzzi o sgocciolamenti, né devono essere collocati oggetti contenenti liquidi** sopra di esso. Se si sposta il televisore da un ambiente freddo a uno caldo, si può formare della condensa sullo schermo (e in alcuni componenti interni del televisore). Lasciare evaporare completamente la condensa prima di accendere il televisore.



AVVERTIMENTO

Candele e altre fiamme libere vanno sempre tenute lontane da questo prodotto, per evitare la propagazione di incendi.

Il pulsante ϕ o **POWER**/ ϕ del televisore o il pulsante ϕ sul telecomando può essere utilizzato per accenderlo e metterlo

in modalità standby. Se non si utilizza **il televisore per un lungo periodo di tempo**, spegnerlo completamente scollegando la spina dalla presa di alimentazione.

In caso di **temporale**, si consiglia di scollegare il televisore dalla rete elettrica e dall'antenna per evitare scariche elettriche o elettromagnetiche che potrebbero danneggiarlo. Accertarsi pertanto che **la presa elettrica e la presa dell'antenna** siano facilmente accessibili in modo da **poterle disinserire agevolmente** in caso di necessità.

Scollegare immediatamente la spina del televisore se si percepisce **odore di bruciato** o **in presenza di fumo**. Non aprire in nessun caso il televisore, per evitare il rischio di **scariche elettriche**.

Schermo TV

Lo schermo TV del prodotto è in vetro e, pertanto, può essere soggetto a rotture in caso di caduta o urto con altri oggetti.

Lo schermo TV è un prodotto ad alta tecnologia, che garantisce immagini finemente dettagliate. Di tanto in tanto, è possibile che vi siano alcuni pixel inattivi presenti sullo schermo sotto forma di punto fisso di colore blu, verde, rosso, ma ciò non ha ripercussioni sulla resa del prodotto.

Manutenzione

Usare un prodotto per la pulizia dei vetri per detergere lo schermo e un panno morbido e un detergente neutro per il resto dell'apparecchio.

Importante: I detersivi aggressivi e i prodotti abrasivi o a base di alcool possono danneggiare lo schermo.

Pulire regolarmente le aperture di ventilazione sul retro e ai lati dell'apparecchio. I solventi, i prodotti abrasivi o a base di alcool possono danneggiare il televisore. Se un oggetto o un liquido penetra all'interno del televisore, scollegare immediatamente quest'ultimo e farlo revisionare da un tecnico autorizzato. Non aprire l'apparecchio per evitare il rischio di lesioni fisiche o di danni al televisore.

Montaggio a parete

ATTENZIONE: Questa operazione richiede l'intervento di due persone.

Per garantire un montaggio sicuro, osservare le seguenti istruzioni di sicurezza:

- Accertarsi che la parete sia in grado di sostenere il peso del televisore e del supporto a parete.
- Seguire le istruzioni di montaggio fornite con il supporto a muro. Per alcuni modelli, assicurarsi di avvitare i mozzi esagonali (e le viti) dei supporti a parete VESA forniti con il set nei dadi per il supporto sul retro del vostro set, prima di effettuare il montaggio a parete.
- Il televisore deve essere installato su una parete verticale.
- Usare solo viti idonee per il materiale di cui è composta la parete.
- Accertarsi che i cavi del televisore non ostruiscano il passaggio.

Tutte le altre istruzioni di sicurezza relative all'uso del televisore rimangono valide.

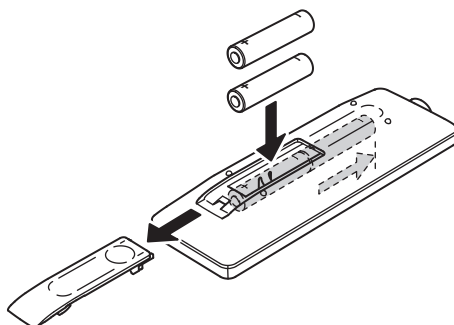
Montaggio su un tavolo

Prima di installare il televisore, assicurarsi che il piano scelto sia in grado di sostenerne il peso.

Non posizionare il televisore su un piano instabile (ad es., su uno scaffale malfermo, o sulle estremità) e verificare che la parte anteriore del televisore non sporga dal piano su cui poggia.

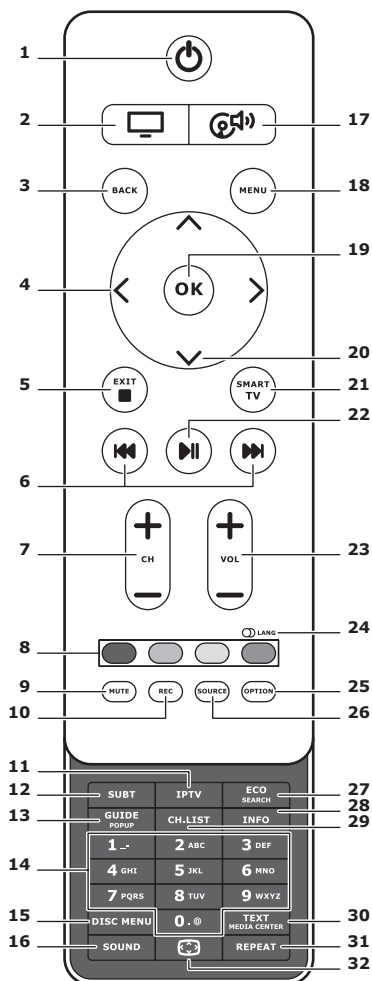


Questo simbolo indica che gli apparecchi elettrici ed elettronici, al termine della loro vita utile, dovrebbero essere smaltiti separatamente dalla spazzatura casalinga, per prevenire potenziali conseguenze negative per l'ambiente e la salute umana. L'utente dovrà dunque consegnare l'apparecchiatura presso gli impianti di raccolta e riciclaggio dei rifiuti locali. L'Unione Europea ha istituito sistemi di raccolta specifici per i prodotti elettrici ed elettronici usati. Aiutaci a salvaguardare l'ambiente in cui viviamo!



Funzioni del telecomando

La maggior parte delle funzioni del televisore sono disponibili tramite i menù che appaiono sullo schermo. Il telecomando in dotazione con il televisore può essere utilizzato per navigare tra i menù e configurare tutte le impostazioni generali.



- Standby/esci dallo Standby.
- Per passare il telecomando all'utilizzo del televisore.
- BACK**
Per tornare al menù precedente.
Per tornare al canale precedente.
- <>**
Per spostarsi tra i menù.
Per impostare le funzioni e modificare i valori. **>** può essere utilizzato anche per aprire il sottomenù corrispondente.
- EXIT/■**
Per uscire dalla struttura del menù o dal televideo; per interrompere alcune funzioni.
- ⏮**
Per l'avanzamento o riavvolgimento rapido (premere a lungo nella funzione Media); e per passare alla foto, canzone o video successivo o precedente.
- CH+/-**
Per cambiare canale.
- Tasti colorati**
Per selezionare opzioni o pagine del televideo. Il tasto rosso può essere usato anche per la funzione MHEG.
- MUTE**
Per attivare o disattivare l'audio.
- REC**
Per registrare il programma.
- IPTV**
Nessuna funzione.

12. SUBT

Per selezionare una lingua dei sottotitoli disponibili per il programma TV digitale selezionato.

13. GUIDE

Per attivare o disattivare la Guida Elettronica alla programmazione (disponibile solo per i canali digitali).

14. 0-9

Per inserire i numeri di canale.
Per inserire una lettera, una cifra o un simbolo in alcune funzioni.

15. DISK MENU

Nessuna funzione.

16. SOUND

Per selezionare una modalità audio pre-impostata.

17. 

Per attivare il telecomando per l'uso del sistema audio.

18. MENU

Per accedere al menù principale.
Per accedere o uscire dalla tastiera virtuale nella funzione smart TV.

19. OK

Per confermare una voce o una selezione.
Per bloccare/sbloccare l'immagine in modalità TV digitale.

20. 

Per spostarsi tra i menù.
Per selezionare le opzioni di menù.

21. SMART TV

Per impostare l'homepage della Smart TV.

22. 

Per mettere in riproduzione/in pausa.

23. VOL+/-

Per regolare il volume.

24.  LANG

Per selezionare un tipo di suono disponibile per il programma di TV analogica selezionato.
Per selezionare una lingua audio disponibile per il programma di TV digitale selezionato.

25. OPTION

Per visualizzare il menù delle funzioni.
Per eseguire alcune operazioni. Per visualizzare la pagina del televideo in diverse modalità.

26. SOURCE

Per selezionare il dispositivo collegato.

27. ECO

Per selezionare la modalità di risparmio energetico desiderata.

28. INFO

Per visualizzare le informazioni del display, se disponibili.

29. CH.LIST

Per visualizzare il display della lista canali.

30. TEXT/MEDIA CENTER

Per attivare o disattivare il televideo.

31. REPEAT

Nessuna funzione.

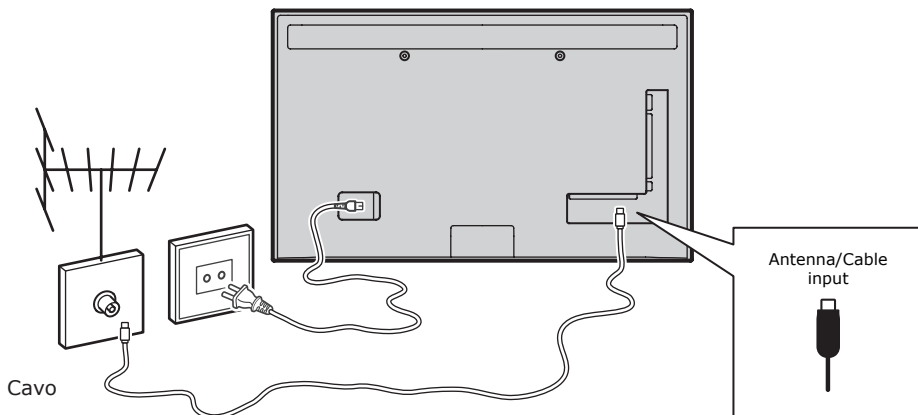
32. 

Per selezionare il formato immagine.
Nota: Si consiglia di utilizzare la modalità a schermo intero. Non utilizzare la modalità di visualizzazione con le barre nere su entrambi i lati dell'immagine (ad esempio 4:3) per un periodo prolungato di tempo; ciò può causare danni permanenti allo schermo TV, che potrebbe essere danneggiato in modo permanente.

Collegamento all'alimentazione e all'antenna

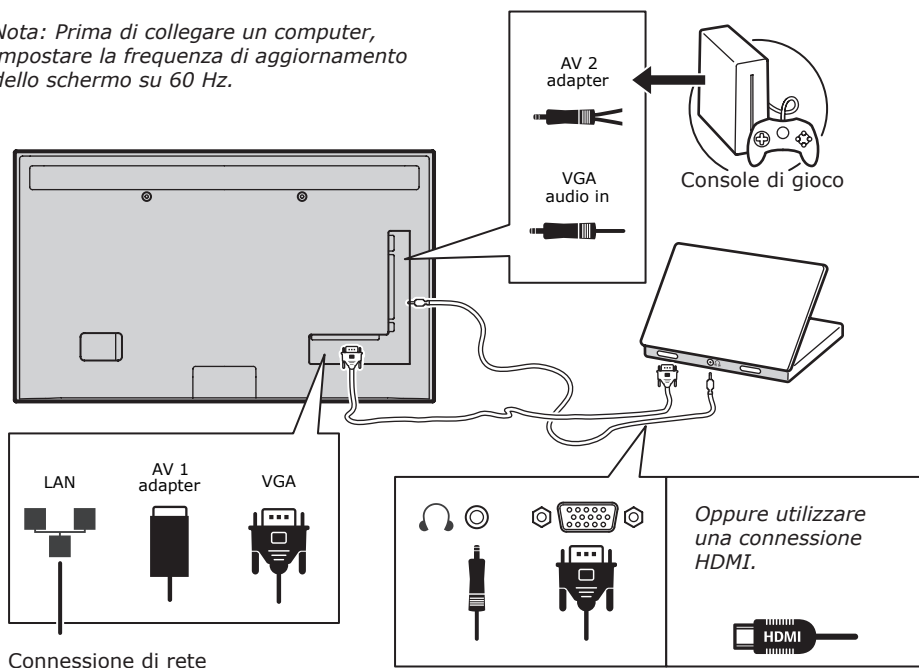
Per accendere il televisore dopo aver collegato il cavo di alimentazione, premere \odot o **POWER**/ \odot .

Nota: La posizione della presa di corrente varia a seconda del modello di televisore. Su alcuni modelli, è necessario accendere prima l'interruttore di alimentazione.

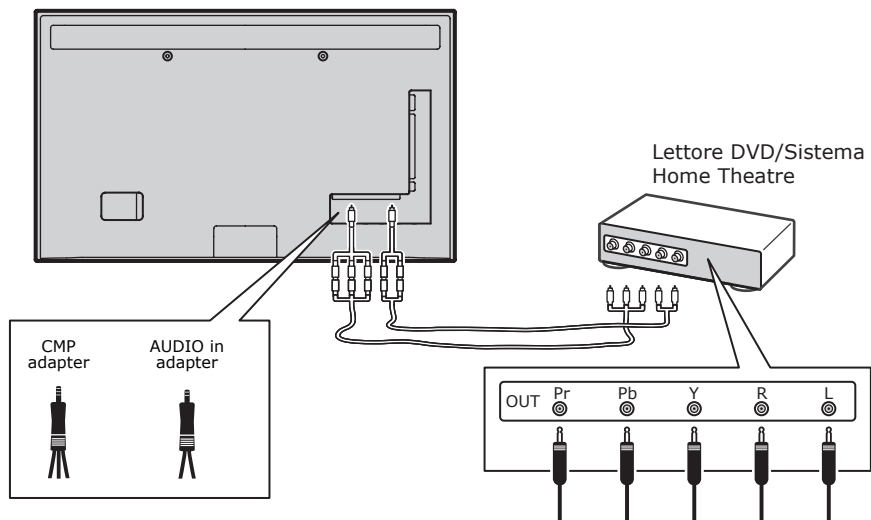


Console di gioco, PC

Nota: Prima di collegare un computer, impostare la frequenza di aggiornamento dello schermo su 60 Hz.



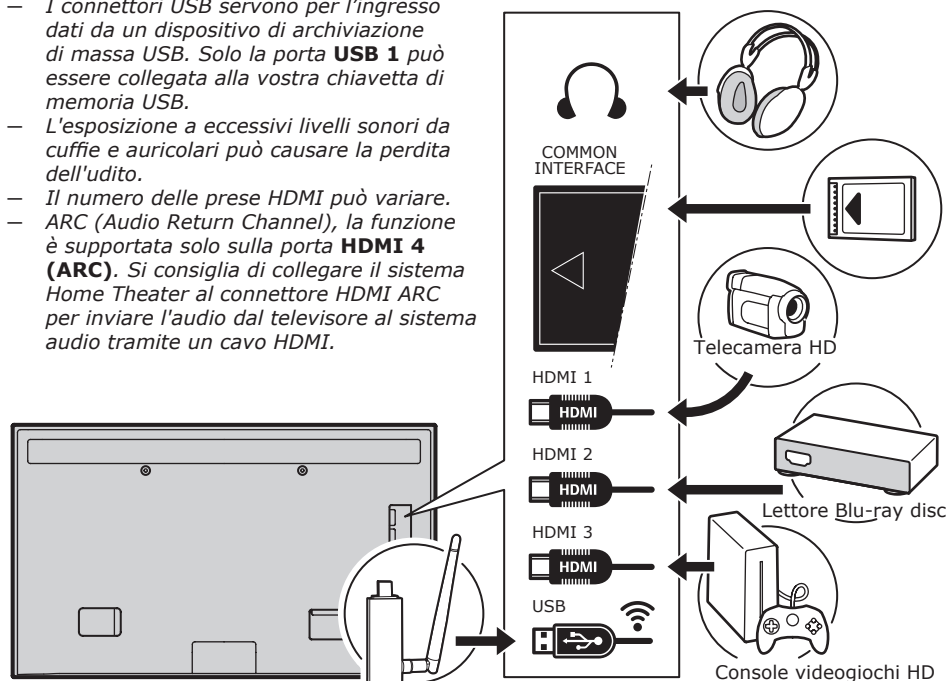
Lettoce DVD, sistema home theatre



Lettoce Blu-ray, cuffie, console giochi HD e camcorder HD

Note:

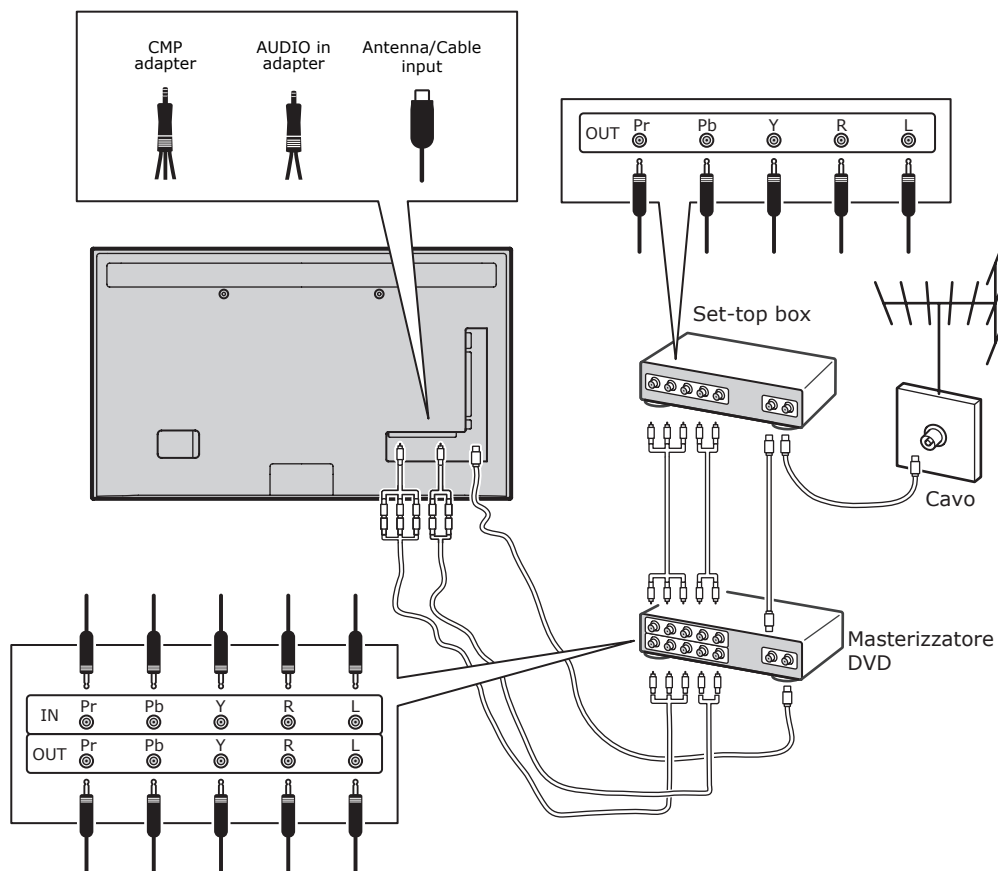
- I connettori USB servono per l'ingresso dati da un dispositivo di archiviazione di massa USB. Solo la porta **USB 1** può essere collegata alla vostra chiavetta di memoria USB.
- L'esposizione a eccessivi livelli sonori da cuffie e auricolari può causare la perdita dell'udito.
- Il numero delle prese HDMI può variare.
- ARC (Audio Return Channel), la funzione è supportata solo sulla porta **HDMI 4 (ARC)**. Si consiglia di collegare il sistema Home Theater al connettore HDMI ARC per inviare l'audio dal televisore al sistema audio tramite un cavo HDMI.



Lettoce DVD, ricevitore via cavo

Nota:

Rimuovere il cavo di alimentazione prima di collegare i dispositivi.



Note:

- Queste illustrazioni sono solo di riferimento. Il modello può avere un aspetto diverso o può non includere tutti i collegamenti indicati.
- La posizione della presa di corrente sul televisore può variare a seconda del modello.
- La posizione e i nomi dei tasti funzione e connettori del televisore può variare a seconda del modello.

Importante:

Se il telecomando non viene utilizzato per un lungo periodo, togliete le batterie e riponetele accuratamente. Maneggiate con cura batterie danneggiate o che perdono. Se il telecomando ha due batterie, non mescolate batterie nuove e vecchie. Non esporre la batteria a calore eccessivo, come ad esempio luce solare, fuoco o simili. Pericolo di esplosione se la batteria è sostituita in modo sbagliato. Sostituite solo con batterie di tipo uguale o equivalente raccomandato dal produttore. Smaltite le batterie usate secondo le istruzioni del produttore. Fate riferimento alle regole di smaltimento rifiuti locali e contattate un concessionario di smaltimento locale della spazzatura per lo smaltimento delle batterie usate. Se le batterie del telecomando sono scariche, usare i tasti del televisore. In modalità TV, questi tasti hanno le stesse funzioni di quelli corrispondenti sul telecomando. Nei menù, presentano le seguenti funzioni:

CH ^	^
CH v	v
VOL >	>
VOL <	<
MENU /☰	MENU
OK /☑	OK

Accendere e spegnere il televisore

- Quando è acceso, il televisore si accenderà direttamente o sarà in modalità standby. Se il televisore è in modalità standby, premere il pulsante **OK**/☑ sul televisore o il pulsante ☑ sul telecomando per accenderlo.
- Per mettere il televisore in modalità standby, premere il pulsante ☑ o **POWER**/☑ sul televisore o il pulsante ☑ sul telecomando. Il televisore rimane alimentato, ma con basso consumo di energia.
- Per spegnere il televisore, staccare la spina di alimentazione dalla presa di corrente.

(*Su alcuni modelli, è necessario accendere prima l'interruttore di alimentazione.)

Configurazione iniziale

L'impostazione iniziale comporta la selezione di tutte le impostazioni necessarie a cercare e memorizzare tutti i canali analogici e digitali che è possibile ricevere.

Assicurarsi che il televisore sia acceso e seguire la procedura specificata in seguito.

Nota: Se la ricerca dei canali ha rilevato solo i canali analogici ciò potrebbe essere causato da una cattiva trasmissione e, pertanto, non è coperto dalla garanzia del produttore. I costruttori non possono essere ritenuti responsabili per la mancanza o scarsa ricezione in alcune zone.

La prima volta che si accende l'apparecchio, la procedura guidata **Initial Setup** (Configurazione iniziale) si apre, guidandovi attraverso il processo di impostazione iniziale. (Vedere Figura 1.) Premere **OK** per iniziare la configurazione iniziale.

- Premere **^/v** per selezionare la lingua, quindi premere **OK**/> per passare alla fase successiva.
- Premere **^/v** per selezionare il paese, quindi premere **OK**/> per passare alla fase successiva.

*Nota: Se si seleziona **France***

*(Francia), sarà necessario entrare nel menù **Password Setting** (Impost. password) per impostare una password. Usare i tasti numerici per immettere un numero di quattro cifre per la vostra password. (0000 è troppo semplice per essere impostato come password.) Re-inserire lo stesso codice per confermare la password. Dopo di che, si accenderà alla fase successiva automaticamente. (In questo passaggio, si può solo premere **BACK** per tornare al passaggio precedente.)*

- Premere **^/v** per selezionare la modalità di sintonizzatore **Antenna** (Antenna), o **Cable** (Cavo) o **Satellite** (Satellite). (*Nota: Per alcuni modelli, questa opzione potrebbe non essere disponibile.*)
 - Selezionare **Antenna** (Antenna).
 - Premere **OK**/> per entrare.
 - Selezionare **Digital & Analogue** (Digitale & Analogico), **Digital** (Digitale) o **Analogue** (Analogico), poi premere **OK**/>.
 - Premere **^/v** per selezionare **Scan** (Scansione), poi premere **OK**/> per

avviare la ricerca automatica di tutti i canali digitali DVB-T e/o dei canali analogici.

- Selezionare **Cable** (Cavo).
- Premere **OK/➤** per entrare.
- Selezionare **Digital & Analogue** (Digitale & Analogico), **Digital** (Digitale) o **Analogue** (Analogico), poi premere **OK/➤**.
- Premere **▲/▼** per selezionare **Scan** (Scansione), quindi premere **OK/➤** per avviare direttamente la configurazione iniziale o andare al passaggio sotto riportato.
- Selezionare **Full** (Completa) se disponibile per cercare e memorizzare tutti i canali digitali DVB-C e analogici.
- È possibile selezionare un'altra modalità di scansione avanzata, se disponibili (per esempio, **Advanced** (Avanzato)), quindi configurare una corretta informazione via cavo come descritto di seguito. Usare i tasti numerici per regolare i valori di frequenza, tasso di simbolo e l'ID di rete, usare **◀/▶** per selezionare una certa modalità di modulazione.
- Premere **OK** per avviare la configurazione iniziale, relativa a tutti i canali digitali DVB-C e analogici.
- Selezionare **Satellite** (Satellite).

Nota: Per alcuni modelli, questa opzione potrebbe non essere disponibile.

- Premere **OK/➤** per entrare.
- Premete **▲/▼** per selezionare **Scan** (Scansione), quindi premete **OK/➤** per accedere al passo successivo per configurare le informazioni relative a satellite ed antenna.
- Premete **OK** per iniziare la configurazione iniziale relativa ai canali satellitari.

Nota: Per evitare l'interruzione del processo d'impostazione iniziale, attendere la visualizzazione del messaggio indicante il completamento dell'impostazione.

4. Prima di avviare la scansione, è possibile anche selezionare **Skip Scan** (Ignora ricerca) per saltare il processo iniziale di configurazione.
5. Durante la configurazione, è possibile seguire i suggerimenti disponibili nella parte inferiore dello schermo

per tornare al passaggio precedente premendo il tasto **BACK**. Oppure premendo **EXIT** per uscire o interrompere la ricerca a quel dato punto.

6. Al termine della ricerca automatica, l'impianto accederà automaticamente alla fase successiva. Premere **▲/▼** per selezionare la posizione **Shop** (Negozio) o **Home** (Casa). Premere **OK/➤** per confermare la selezione e accedere alla fase successiva.
7.
 - In questo passaggio, è possibile premere **OK** per uscire dall'impostazione iniziale. I canali sono elencati secondo un ordine predefinito. Se volete saltare i canali, modificare l'ordine dei preimpostati o rinominare i canali, selezionare **SETUP > Organiser** (Configurazione > Organiser) e premere **OK/➤** per entrare.
 - In questa fase, è anche possibile premere **BACK** per tornare al passaggio precedente.

Impostazione automatica dei canali

Questa sezione descrive come cercare e memorizzare i canali automaticamente. Le istruzioni si riferiscono sia ai canali analogici sia a quelli digitali.

1. Premere **MENU** sul telecomando e selezionare **SETUP > Language > Menu Language** (Configurazione > Lingua > Lingua menù). Premere **◀/▶** per selezionare la lingua del menù desiderata.
2. Premere **BACK** per tornare al **SETUP** (Configurazione), premere **▲/▼** per selezionare **Country** (Paese), quindi premere **◀/▶** per selezionare il paese. Il TV installa e dispone i canali a seconda del paese.
3. Premere **▲/▼** per selezionare **Tuner Mode** (Modalità sintonizzatore), poi premere **◀/▶** per selezionare **Antenna** (Antenna), **Cable** (Cavo) o **Satellite** (Satellite).
(Per alcuni modelli, questa opzione potrebbe non essere disponibile.)
 - Selezionare **Antenna** (Antenna).
 - Premere **▲/▼** per selezionare **Channel Install** (Installazione

- canali), e premere **OK/>>** per entrare.
- Selezionare **Automatic Search** (Ricerca automatica) (Fare riferimento a Figura 2.), quindi premere **OK/>>** per visualizzare **Automatic Search** (Ricerca automatica).
 - Premere **OK** per ignorare la selezione del paese e andare al passaggio successivo. Oppure usare **</>** per selezionare di nuovo il vostro paese, quindi premere **OK** per entrare.
 - Selezionare **Digital & Analogue** (Digitale & Analogico), **Digital** (Digitale) o **Analogue** (Analogico), quindi premere **OK/>>** per avviare la ricerca automatica, che si riferisce a tutti i canali digitali DVB-T e/o analogici.
 - Selezionare **Cable** (Cavo).
 - Premere **^/v** per selezionare **Channel Install** (Installazione canali), e premere **OK/>>** per entrare.
 - Selezionare **Automatic Search** (Ricerca automatica), quindi premere **OK/>>** per visualizzare **Automatic Search** (Ricerca automatica).
 - Premere **OK** per ignorare la selezione del paese e andare al passaggio successivo. Oppure usare **</>** per selezionare di nuovo il vostro paese, quindi premere **OK** per entrare.
 - Selezionare **Digital & Analogue** (Digitale & Analogico), quindi premere **OK/>>** per entrare. Seleziona la vostra modalità di scansione, se disponibile, e configurare una corretta informazione del cavo nello stesso modo come nella configurazione iniziale. Selezionare **Scan** (Scansione) e premere **OK/>>** per avviare la ricerca automatica relativa a tutti i canali digitali DVB-C e analogici.
 - Selezionare **Digital** (Digitale), quindi seguire lo stesso processo di cui sopra per avviare la ricerca automatica relativa a tutti i canali digitali DVB-C.
 - Selezionare **Analogue** (Analogico), quindi premere **OK/>>** per avviare la ricerca automatica relativa a tutti i canali analogici.
 - Selezionare **Satellite** (Satellite).

Nota: Per alcuni modelli, questa opzione potrebbe non essere disponibile.

 - Premere **^/v** per selezionare **Satellite Setup** (Config. satellite) e premere **OK/>>** per effettuare l'accesso.
 - Premere **^/v** per selezionare un satellite appropriato oppure, se necessario, aggiungere nuovi satelliti, poi premere **OK** per accedere e configurare le corrette informazioni relative al satellite e all'antenna.
 - Selezionare **SETUP > Channel Install > Automatic Search** (Configurazione > Installazione canali > Ricerca automatica), poi premere **OK/>>** per accedere.
 - Selezionare **Country** (Paese) e, se necessario, utilizzare **</>** per modificare il paese desiderato.
 - Selezionare **Satellite Tuning** (Sintonia satellite), premere **OK/>>** per visualizzare **SATELLITE TUNING** (Sintonia satellite). Configurare le informazioni appropriate. Selezionare **Scan** (Scansione) e premere **OK/>>** per avviare la configurazione iniziale di tutti i canali satellitari.

Nota: Per alcuni modelli, questa opzione potrebbe non essere disponibile.
4. La ricerca può richiedere alcuni minuti. Durante il processo, è possibile premere **EXIT** per interrompere a metà l'operazione.
 5. Al termine della ricerca automatica, premere **BACK** per tornare all'ultima fase o premere **OK** per riavviare la ricerca del canale.
 6. Dopo la ricerca automatica, i canali sono disposti secondo un ordine preimpostato. È possibile saltare dei canali, modificare l'ordine preimpostato o rinominare i canali.

Uso del televisore

Accesso ai canali

Uso dei tasti numerici: premere ai tasti numerici corrispondenti per accedere ai canali.

Uso dei tasti CH+/- o CH ^/∨: permette di scorrere i canali.

Osservare i dispositivi connessi

Premere ripetutamente **SOURCE** sul telecomando oppure **OK** sul televisore per passare da TV ad altre sorgenti di ingresso e viceversa. Per ripristinare la visualizzazione del televisore, premere un tasto numerico qualsiasi per inserire il canale, mentre **CH+/-** farà compiere un ciclo attraverso tutti i canali TV e le altre fonti di entrata.

*Nota: Non tutti i modelli hanno il pulsante **OK** sul dispositivo.*

Volume

Controllo del volume: usare i tasti **VOL</>** sul televisore o i tasti **VOL+/-** sul telecomando per aumentare o diminuire il volume.

Disattivazione dell'audio: premere il tasto **MUTE** per interrompere temporaneamente l'audio. Premere nuovamente questo tasto o il tasto **VOL+** per ripristinare l'audio.

Uso dei menù TV

1. Premere **MENU** per visualizzare il menù principale. (Vedere Figura 3.)
2. Premere **^/∨/⟨/⟩** per selezionare la voce desiderata, quindi premere **OK** per aprire il sottomenù corrispondente.
3. Nei sottomenù, utilizzare **^/∨** per selezionare le opzioni di menù, utilizzare **⟨/⟩** per impostare le funzioni o modificare i valori. Usare **OK** per attivare un'impostazione. Usare **OK/⟩** per aprire il menù secondario corrispondente.
4. Premere **BACK** per tornare al menù precedente.
5. Premere **EXIT** per chiudere il menù.

Nota: Alcune opzioni potrebbero non essere disponibili per certe sorgenti di segnale.

Selezionare la lingua del menù

È possibile scegliere la lingua preferita del menù seguendo le istruzioni sotto riportate.

1. Premere **MENU** per visualizzare il menù principale
2. Premere **^/∨/⟨/⟩** per selezionare **SETUP** (Configurazione), quindi premere **OK** per entrare.
3. Selezionare la **Language** (Lingua) e premere **OK/⟩** per inserire.
4. Selezionare **Menu Language** (Lingua del menù) e premere **⟨/⟩** per selezionare la lingua desiderata per la visualizzazione dei menù.
5. Premere **EXIT** per chiudere il menù.

Funzioni avanzate della TV

Impostazione dei canali preferiti

È possibile creare un elenco dei vostri canali televisivi preferiti.

1. Premere **CH.LIST**.
2. Premere il tasto giallo per entrare nella **CHANNEL LIST SELECTION** (Selez. Lista can). Premere **^/∨** per selezionare la lista dei preferiti e premere **OK** per entrare.
3. Premere il tasto blu per modificare il proprio elenco preferiti. Premere **^/∨** per scorrere lungo l'elenco dei canali e premere **OK** per selezionarlo o deselezionarlo.
4. Ripetere questa procedura per impostare altri canali preferiti.
5. Premere **CH.LIST/EXIT** per uscire.

Risparmio energetico

1. Premete **MENU** sul telecomando e selezionate **PICTURE > ECO Settings > Energy Saving** (IMMAGINE > Impostazioni ECO > Risparmio Energetico).
2. Premete **⟨/⟩** per selezionare la modalità di risparmio energetico desiderata per raggiungere l'effetto desiderato.
3. Premete **EXIT** per chiudere il menù.

Scorciatoia: Premete **ECO** sul telecomando per selezionare direttamente la modalità di risparmio energetico desiderata.

Funzione PBP

Per visualizzare una di fianco all'altra le immagini provenienti da entrate di fonti diverse. Notare che una finestra serve sia per le entrate TV analogiche sia per quelle digitali, l'altra serve per le entrate VGA,

HDMI e CMP. *(Nota: Non disponibile per Scart AV su entrambe le finestre.)*

1. Premere **MENU** per visualizzare il menù principale
2. Selezionare **PAP** e premere **OK** per entrare.
3. Selezionare l'opzione **PAP** e premere **</>** per accendere/spegnere la funzione PAP.
4. Selezionare **TV Position** (Posizione TV), premere **</>** per riposizionare la finestra TV.
5. Premere **</>** per alternare la finestra di focalizzazione.
6. Quando si focalizza sulla finestra TV, i tasti numerici e **CH+/-** funzionano in TV. Quando si focalizza sull'altra finestra, **CH+/-** cambiano le fonti esterne disponibili.

Uso dei sottotitoli

È possibile abilitare i sottotitoli per ciascun canale TV. I sottotitoli sono diffusi attraverso televideo o trasmissioni digitali DVB-T/DVB-C. Nelle trasmissioni digitali, è disponibile l'opzione aggiuntiva di selezione della lingua dei sottotitoli preferita.

Attivazione/disattivazione dei sottotitoli

1. Premere **MENU** sul telecomando e selezionare **OPTIONS > Subtitle** (Opzioni > Sottotitoli).
2. Premere **OK/>** per entrare. (Vedere Figura 4.)
3. Selezionare l'opzione **Subtitle** (Sottotitoli) e premere **</>** per selezionare **On/Off** (Acceso/Spento) per attivare o disattivare i sottotitoli.

Abilitazione delle lingue dei sottotitoli sui canali TV digitali

1. Premere **MENU** sul telecomando e selezionare **OPTIONS > Subtitle > Digital Subtitle Language** (Opzioni > Sottotitoli > Lingua sottotitoli digitale).
2. Premere **</>** per selezionare una lingua per i sottotitoli come lingua preferita.
3. Premere **^/√** per selezionare **Digital Subtitle Language 2nd** (2a lingua sottotitoli digitale).
4. Premere **</>** per selezionare una lingua secondaria per i sottotitoli.
5. Premere **EXIT** per chiudere il menù.

Uso della scelta rapida: Premere **SUBT** sul telecomando per selezionare direttamente una lingua per i sottotitoli disponibile per il programma TV scelto.

Selezione di un tipo di sottotitolo sui canali TV digitali

1. Premere **MENU** sul telecomando e selezionare **OPTIONS > Subtitle > Subtitle Type** (Opzioni > Sottotitoli > Tipo di sottotitolo).
2. Premere **</>** per selezionare un tipo di sottotitoli. È possibile selezionare **Hearing Impaired** (Non udenti) per visualizzare i sottotitoli per non udenti con la lingua selezionata.

Selezione della lingua della pagina di decodifica nel televideo

Premere **MENU** sul telecomando e selezionare **OPTIONS > Teletext > Decoding Page Language** (Opzioni > Teletext > Lingua pagina decodifica). Selezionare un tipo corretto di lingua in cui sarà visualizzato il televideo.

Lingua Televideo digitale

Per i canali TV digitali, il TV può passare a un servizio con pagine Televideo multiple iniziali in diverse lingue. Questa funzione permette di selezionare una lingua disponibile come lingua principale che fa riferimento a una diversa pagina Televideo iniziale.

Premere **MENU** sul telecomando e selezionare **OPTIONS > Teletext > Digital Teletext Language** (Opzioni > Teletext > Lingua Televideo digitale). Premere **</>** per selezionare.

Tipo SPDIF

Collegare a un dispositivo audio attraverso l'uscita **SPDIF**. Premere **MENU** sul telecomando e selezionare **OPTIONS > SPDIF Type** (Opzioni > Tipo SPDIF). Selezionare un tipo di audio corretto dall'elenco per i programmi digitali.

- Se l'audio del programma attuale è in formato **Dolby D**, allora è possibile selezionare **PCM** o **Dolby D**.
- Se il programma attuale produce audio in formato **Dolby D**, è possibile selezionare solo **PCM**. Altrimenti, non sarà prodotto alcun suono.

- Selezionare **Off** (Spento) per disattivare l'uscita audio dal dispositivo audio collegato all'uscita **SPDIF**.

*Nota: Le opzioni selezionabili dipendono dal programma visionato. Se si seleziona **PCM**, e il suono è più avanti dell'immagine, è possibile selezionare **SPDIF Delay** (Ritardo SPDIF) dal menù **OPTIONS** (Opzioni) e premere </> per regolare il tempo di ritardo per sincronizzare il suono con l'immagine.*

T-Link

Per cercare dispositivi CEC connessi alle prese HDMI del proprio televisore e abilitare la riproduzione One-touch e lo standby One-touch tra dispositivi CEC.

Abilitazione o disabilitazione del T-Link

1. Premere **MENU** sul telecomando e selezionare **OPTIONS > T-Link** (Opzioni > T-Link).
2. Premere </> per selezionare **On** (Acceso) oppure **Off** (Spento).

Uso della riproduzione One-touch

La riproduzione One-touch permette di premere il pulsante di riproduzione, ad esempio, del telecomando DVD. Verrà avviata la riproduzione del dispositivo DVD e la TV è attivata automaticamente sulla fonte corretta, e visualizzerà il contenuto DVD.

Uso dello standby del sistema

Standby del sistema consente di premere il pulsante ϕ , ad esempio, sul telecomando della TV. Questa azione accenderà il televisore e tutti i dispositivi HDMI collegati alla modalità di attesa.

Aggiornamento Rete

Premete **MENU** sul telecomando, quindi selezionate **OPTIONS > Network Update** (Opzioni > Aggiornamento rete). Selezionate **On/Off** (Acceso/Spento) per abilitare o disabilitare la funzione di aggiornamento rete.

- Quando questa funzione è attiva, il televisore aggiornerà automaticamente i canali se il vostro provider di servizi DTV aggiorna la propria rete DTV.
- Quando questa funzione non è attiva, dovrete avviare di nuovo la ricerca canali per ottenere nuovi canali o rimuovere quelli non più disponibili del il

vostro provider di servizi DTV aggiunge o rimuove canali dalla propria rete DTV.

Interfaccia comune

I canali TV digitali codificati possono essere decodificati con un modulo di interfaccia comune e una scheda forniti da un operatore di servizio della TV digitale. Il modulo di interfaccia comune può abilitare vari servizi digitali, a seconda dell'operatore e dei servizi scelti (ad esempio, TV a pagamento). Contattare l'operatore di servizio della TV digitale per maggiori informazioni su termini e servizi.

Uso del modulo di interfaccia comune

AVVERTENZA: prima di inserire un modulo di interfaccia comune, spegnere il televisore. Assicurarsi di seguire le istruzioni fornite di seguito. Un inserimento errato di un modulo di interfaccia comune potrebbe danneggiare il modulo e il televisore.

1. Seguendo le istruzioni stampate sul modulo di interfaccia comune, inserire delicatamente il modulo nello slot dell'interfaccia comune sul televisore.
2. Spingere il modulo inserendolo fino in fondo.
3. Accendere il televisore e attendere l'attivazione della funzione di interfaccia comune. Potrebbero essere necessari vari minuti.

Nota: non togliere il modulo di interfaccia comune dallo slot. In caso contrario, si disattiveranno i servizi digitali.

Accesso ai servizi dell'interfaccia comune

Dopo aver inserito e attivati il modulo di interfaccia comune, premere **MENU** sul telecomando e selezionare **OPTIONS > Common Interface** (Opzioni > Interfaccia comune).

Questa opzione di menù è disponibile solo se il modulo di interfaccia comune è correttamente inserito e attivato. Le applicazioni e i contenuti su schermo sono forniti dall'operatore di servizio della TV digitale.

Aggiornamento software

Premere **MENU** sul telecomando e selezionare **OPTIONS > Software**

Update (Opzioni > Aggiornamento software). Premere **OK/➤** per entrare.

- **Current Version** (Vers. attuale): Verifica la versione attuale del software.
- **Product Name** (Nome prodotto): Visualizza il nome del prodotto del vostro apparecchio.
- **Serial Number** (Numero di serie) (se disponibile): Visualizza il numero di serie del vostro apparecchio.
- **By Network** (Via rete): Consente di scaricare e installare la versione del software più recente dalla rete Internet. Accertarsi di avere configurato una connessione alla rete cablata o senza fili, poi selezionare **By Network** (Via rete) e premere **OK/➤** per accedere. Seguire le istruzioni visualizzate sullo schermo per proseguire.
Nota: Collegate un dispositivo USB al televisore prima di avviare l'aggiornamento del software.
- **By Channel** (Per canale): Consente di installare l'ultima versione del software, se disponibile. Selezionare **By Channel** (Per canale) e premere **OK/➤** per entrare.
- Usare i tasti **↔** per selezionare **Yes** (Sì) sotto **Auto Download** (Scaricamento automatico) per scaricare automaticamente il software più recente, se disponibile. Dopo che il software è stato scaricato con successo, vi verrà chiesto di decidere se lo si desidera installare subito. In caso affermativo, seguire le indicazioni sullo schermo per completare l'installazione. È anche possibile scegliere di ignorare l'installazione.
 - Selezionare **No** (No) sotto **Auto Download** (Scaricamento automatico) per rifiutare lo scaricamento automatico.
 - Selezionare **Manual Download** (Scaricamento manuale) e premere **OK/➤** per avviare la scansione manuale del software più recente. Seguire le indicazioni sullo schermo per completare. Durante la scansione, premere **OK/EXIT** per annullare o uscire dal processo.

Cambiare alla modalità Home o Negoziò

1. Premere **MENU** sul telecomando e selezionare **OPTIONS > Location** (Opzioni > Posizione).
2. Premere **↔** per selezionare la propria posizione **Shop** (Negoziò) o **Home** (Casa).
3. Premere **EXIT** per uscire.

*Nota: In accordo con la norma della Commissione Europea 2009/125/CE, in modalità Casa, il televisore sarà messo in modalità standby automaticamente se non viene usato per 4 ore. Questa funzione può essere disattivata nel menù **OPTIONS** (Opzioni).*

Funzione MHEG

Alcune emittenti TV digitali offrono testi digitali dedicati o servizi interattivi (per esempio BBC1). Questi servizi funzionano come un normale televideo con l'aggiunta di tasti numerici, colorati e di navigazione.

1. Premere **MENU** sul telecomando e selezionare **OPTIONS > Subtitle > Subtitle** (Opzioni > Sottotitoli > Sottotitoli).
2. Premere **↔** per impostare **Subtitle** (Sottotitoli) su **Off** (Spento).
*Nota: MHEG e sottotitoli si escludono a vicenda e non possono coesistere nella stessa schermata. Se **Subtitle** (Sottotitoli) è impostato su **On** (Acceso), **MHEG** non apparirà.*
3. Premere il tasto rosso oppure **TEXT** sul telecomando.
4. Premere **^/∨/↔** per selezionare o evidenziare gli articoli.
5. Premere **OK** per confermare o attivare.
6. Premere uno dei tasti colore per selezionare un'opzione.
7. Premere **TEXT** o **EXIT** per uscire.

Guardare le foto, riprodurre la musica e guardare i video da un dispositivo di archiviazione USB

Il televisore è dotato di un connettore USB che consente di visualizzare foto, ascoltare musica o guardare i video memorizzati su un dispositivo di archiviazione USB.

Formati di file supportati:

Foto	JPEG
Musica	MP3
Video	AVI, MP4, MPG, MPEG, TS, DIVX, MKV...

Nota: alcune chiavi USB e prodotti USB come fotocamere digitali o telefoni cellulari non sono completamente compatibili con lo standard USB 2.0 pertanto potrebbero non funzionare con il lettore multimediale TV. Non tutte le chiavi o i dispositivi USB sono compatibili per la funzione USB. Non tutti i formati di cui sopra sono supportati. I formati di codifica dei file determineranno se essi possono essere utilizzati.

Quando un dispositivo USB viene collegato, selezionare **MEDIA** (Media) nel menù principale e premere **OK** per entrare.

Foto

Per visualizzare le foto, se disponibili.

1. Selezionare **MEDIA > PHOTO** (Media > Foto), quindi premere **OK** per accedere al browser principale del contenuto di file.
2. Nel browser principale di contenuto del file, utilizzare **^/√/⟨/⟩** per selezionare una foto o una cartella di file interno.
3. Selezionare una cartella di file interna, premere **OK** per inserire un browser di contenuti dei file secondario.
4. Usare **^/√/⟨/⟩** per selezionare una foto in un browser di contenuto di file principale o secondario, premere **MENU** per visualizzare il menù foto in modalità cartella.
 - **Sort** (Ordina): Ordina le cartelle e le foto per Data di modifica o Nome.
 - **Edit** (Modifica): Copiare, incollare o eliminare una foto selezionata.
 - **Parser** (Parser): È possibile selezionare **Recursive** (Ricorrente) per visualizzare le foto da tutte le sotto-cartelle di file.
5. Selezionate una foto, premete **OK** per vederla, e verrà avviata una presentazione a partire dalla foto selezionata. Premete **⏏** per mettere in pausa le foto se volete ruotare la foto da ferma. Premete **MENU** per visualizzare il menù foto in modalità browser. Potete riprodurre, mettere in pausa o ruotare la foto, selezionare una modalità di riproduzione differente e gli effetti di visualizzazione, etc...
6. Premere i tasti relativi sul telecomando per eseguire le funzioni disponibili visualizzate sulla barra delle funzioni nella parte inferiore dello schermo del televisore.

Musica

Riproduce la musica se è disponibile.

1. Selezionare **MEDIA > MUSIC** (Media > Musica), quindi premere **OK** per accedere al browser principale del contenuto di file.
2. Usare **^/√/⟨/⟩** per selezionare un brano in un browser di contenuto di file principale o secondario allo stesso modo della funzione di visualizzazione delle foto, premere **MENU** per visualizzare il menù musica in modalità cartella.
 - **Sort** (Ordina): Ordina le cartelle e le canzoni per Nome, Genere, Artista o Album.
 - **Edit** (Modifica): Copiare, incollare o eliminare un brano selezionato.
 - **Parser** (Parser): È possibile selezionare **Recursive** (Ricorrente) per visualizzare i brani da tutte le sotto-cartelle di file.
3. Selezionare un brano, premere **OK** per riprodurre e inizierà una riproduzione automatica dal brano selezionato. Premere **MENU** per visualizzare il menù musica in modalità browser. È possibile riprodurre o mettere in pausa il brano, selezionare le differenti modalità di riproduzione, ecc...
 - **Show Lyrics** (Mostra testi): Questa opzione è disponibile per le canzoni con i testi. Selezionarlo e utilizzare **⟨/⟩** per attivare/disattivare la visualizzazione sincronizzata del testo.
 - **Audio Only** (Solo audio): Selezionare e premere **OK** per ascoltare la musica a schermo spento. Premere un tasto qualsiasi per accendere lo schermo.
4. Premere i tasti relativi sul telecomando per eseguire le funzioni disponibili visualizzate sulla barra delle funzioni nella parte inferiore dello schermo del televisore.

Video

Per guardare i video, se disponibili.

1. Selezionare **MEDIA > VIDEO** (Media > Video), quindi premere **OK** per accedere al browser principale del contenuto di file.
2. Usare **^/√/⟨/⟩** per selezionare un video in un browser di contenuto di file principale o secondario allo stesso

modo della funzione di visualizzazione delle foto, premere **MENU** per visualizzare il menù video in modalità cartella.

- **Sort** (Ordina): Ordina le cartelle e i video per Tipo, Data di modifica o Nome.
 - **Edit** (Modifica): Copiare, incollare o eliminare un video selezionato.
 - **Parser** (Parser): È possibile selezionare **Recursive** (Ricorrente) per visualizzare i video da tutte le sotto-cartelle di file.
3. Selezionare un video, premere **OK** per riprodurre e inizierà una riproduzione automatica dal video selezionato. Premere **MENU** per visualizzare il menù video in modalità browser. È possibile riprodurre o mettere in pausa il video, selezionare le diverse modalità di riproduzione, modalità schermo e le impostazioni delle immagini preimpostate, ecc...
4. Premere i tasti relativi sul telecomando per eseguire le funzioni disponibili visualizzate sulla barra delle funzioni nella parte inferiore dello schermo del televisore.

Video DivX

(* non disponibile in alcuni modelli)

INFORMAZIONI SU VIDEO DivX: DivX® è un formato video digitale creato dalla DivX, LLC, una consociata della Rovi Corporation. Si tratta di un dispositivo ufficiale Certified® DivX che riproduce i video DivX. Visitate divx.com per maggiori informazioni e per i programmi con cui convertire i vostri file in video DivX.

INFORMAZIONI SU DivX Video-On-Demand: Questo dispositivo Certified® DivX deve essere registrato per poter riprodurre i film acquistati DivX Video-on-Demand (VOD).

Ottenere il codice di registrazione:

- Premere **MENU** sul telecomando.
- Selezionare **OPTIONS > DivX(R) Registration** (Opzioni > Registrazione DivX(R)).
- Premere **OK/>** e il codice di registrazione verrà visualizzato.

Andare su vod.divx.com per ulteriori informazioni su come completare la registrazione.

Annullare la registrazione del vostro TV:

Se desiderate annullare la registrazione del vostro televisore,

- Premere **MENU** sul telecomando.
- Selezionare **OPTIONS > DivX(R) Deregistration** (Opzioni > cancellazione registrazione DivX(R)).
- Premere **OK/>** e un messaggio vi guiderà.

DivX®, DivX Certified® ed i loghi associati sono marchi registrati della Rovi Corporation o delle sue consociate e sono utilizzate sotto licenza.

Rilevamento del tempo

È possibile rilevare il tempo dai canali digitali attraverso le seguenti operazioni.

1. Premere **MENU** sul telecomando e selezionare **OPTIONS > Timer > Clock > Auto Synchronization** (Opzioni > Temporizzatore > Registro > Sincronizzazione automatica).
2. Premere **</>** per selezionare **On** (Acceso).

Assegnare un decoder di canale

I decoder che decodificano i canali analogici possono essere collegati al connettore AV. Assegnare il canale TV come canale da decodificare. Poi, assegnare la connessione dove è connesso il decoder.

1. Premere **MENU** sul telecomando e selezionare **SETUP > Decode** (Configurazione > Decodifica).
2. Premere **OK/>** per aprire l'elenco.
3. Premere **▲/▼** per selezionare il canale da decodificare.
4. Premere **OK** per selezionare o deselezionare il canale.
5. Premere **BACK** per tornare al menù precedente.

Diagnostica sui canali TV digitali

1. Premere **MENU** sul telecomando e selezionare **SETUP > Diagnostics** (Configurazione > Diagnostica).
2. Premere **OK/>** per visualizzare alcune informazioni di segnale sui canali digitali presenti, come forza del segnale, frequenza, ecc.

Time shift

Consente di mettere in pausa, riavvolgere e andare avanti in un programma. La

prima volta che si utilizza questa funzione, assicurarsi di collegare una chiavetta di memoria USB.

Nota: A causa di requisiti specifici della nazione, la funzione Differita non è disponibile in Finlandia.

1. Premere **MENU** sul telecomando e selezionare **SETUP > Time Shift** (Configurazione > Timeshift).
2. Premere **</>** per selezionare **On** (Acceso) per attivare la funzione time shift, quindi premere **EXIT** per chiudere il menù.
3. Premere **OPTION** sul telecomando e selezionare **Time Shift** (Timeshift), quindi premere **OK** per confermare.
4. Seguire le istruzioni sullo schermo per fare l'installazione.
5. Dopo che la configurazione del disco è finita, premere **OPTION** e selezionare **Time shift** (Timeshift).
6. Premere **OK** per visualizzare il menù time shift.
 - Premere il tasto **⏸** per mettere in pausa l'immagine e avviare la registrazione per la visione differita.
 - Premere il tasto **⏮** per riprodurre la parte registrata.
 - Quando scompare il menù della differita e rimane solo il tempo della differita stesso sullo schermo, potete premere il tasto **⏮** o **OK** per accedere al menù differita.
 - Premete il tasto **⏭** per riavvolgere rapidamente o il tasto **⏮** per avanzare rapidamente.
 - Premete il tasto **■** per uscire dalla funzione differita.

Note:

- Prima di collegare il dispositivo USB alla TV, assicurarsi di avere eseguito il backup dei dati del dispositivo per evitare che un inatteso malfunzionamento porti alla perdita dei vostri dati importanti.
- Si consiglia di utilizzare un dispositivo USB con la dimensione di file libero più grande di 1GB e la velocità del disco superiore a 5,0MB/sec.
- Più grande è la dimensione del file per il timeshift, più lungo è il tempo di registrazione.
- Se si cambia canale durante il time shift, compare un messaggio che chiede all'utente di selezionare **Yes** (Sì) oppure

No (No). Si può selezionare **Yes** (Sì) per uscire dalla funzione time shift ed eseguire il cambio di canale.

Reimposta negozio

Permette di reimpostare la TV alle impostazioni predefinite di fabbrica.

1. Premere **MENU** sul telecomando e selezionare **SETUP** (Configurazione), quindi premere **OK** per confermare.
2. Selezionare **Reset Shop** (Reimposta negozio) e premere **OK/>** per entrare.
3. Usare i tasti numerici per immettere la password.
4. Premere **</>** per selezionare **OK** e premere **OK** per confermare.
5. Il menù di **Initial Setup** (Configurazione iniziale) appare. Seguire le istruzioni relative.

Personalizzazione delle impostazioni di ingresso

Consente di configurare il televisore per i dispositivi di ingresso esterni, come ad esempio set-top box, lettore Blu-Ray, computer o console di gioco.

1. Premere **MENU** sul telecomando e selezionare **SETUP > Input settings** (Configurazione > Impostazioni d'ingresso).
2. Premere **OK/>** per entrare in **Input settings** (Impostazioni d'ingresso).
3. Premere **^/√** per selezionare la porta a cui il dispositivo di ingresso è collegato.
4. Premere **</>** per selezionare il tipo di dispositivo. Premere **</>** per assegnare un nome al dispositivo.
5. Premere **BACK** per tornare al menù **SETUP** (Configurazione).

Dopo la configurazione, l'etichetta della sorgente selezionata verrà visualizzata dopo il nome del connettore collegato nell'elenco delle sorgenti quando si preme **SOURCE** sul telecomando o **OK** sul televisore.

Uso della guida di programmazione elettronica

La EPG è una guida su schermo che mostra i programmi TV del palinsesto. È possibile navigare, selezionare e visualizzare i programmi.

1. Premere **GUIDE** sul telecomando, il menù **Now and Next EPG** (EPG Ora e Dopo) apparirà, che consente di

ottenere informazioni sul programma corrente o successivo in riproduzione su ogni canale. Navigare attraverso i diversi programmi utilizzando i pulsanti di navigazione sul telecomando.

2. Usare i tasti colorati per visualizzare **8 Days EPG** (EPG di 8 giorni).
 - **Prev Day** (Red) (Giorno precedente) (Rosso): Visualizza l'EPG del giorno precedente
 - **Next Day** (Giorno successivo) (Verde): Visualizza l'EPG del giorno successivo
 - **View Detail** (Visualizza dettaglio) (Giallo): Mostra la descrizione del programma visualizzato, se disponibile.
 - **Type Filter** (Filtro del tipo) (Blu): Filtro della guida dei programmi per i programmi TV digitali.
 - Premere il tasto blu per visualizzare tipo dei programmi.
 - Navigare attraverso i diversi tipi e sottotipi utilizzando i pulsanti di navigazione sul telecomando.
 - Selezionare uno o più tipi che si desidera evidenziare dalla lista Tipo, premere **OK** per selezionare (o deselezionare). A sinistra del tipo selezionato comparirà un segno di spunta. Quando si seleziona un tipo, vengono selezionati di conseguenza tutti i suoi sottotipi.
 - Inoltre, l'utente può selezionare alcuni sottotipi desiderati senza selezionare alcun tipo per primo.
 - Premere il tasto blu per uscire dalla lista del tipo.
 - Dopo aver filtrato, tutti i programmi desiderati della TV digitale saranno evidenziati.
 - **Add Schedule** (Aggiungi programmazione) (Opzione): Premere **OPTION** sul telecomando per accedere al menu **Schedule List** (Lista programmazione). Per dettagli sulla registrazione programmata, consultare la sezione **Lista programmazione**.
3. Premere **GUIDE/EXIT** per uscire dall'EPG e passare al canale selezionato.

PVR (Personal Video Recorder) (Videoregistratore Personale)

Vi permette di registrare i vostri programmi TV preferiti. Prima di usare questa funzione, collegate prima un dispositivo di archiviazione USB al televisore.

Nota: a causa dei requisiti specifici dei paesi, la funzione PVR non è disponibile in Finlandia.

1. Premere **OPTION** sul telecomando e selezionare **QUICK ACCESS > PVR** (Accesso rapido > PVR).
2. Premere **OK/>** per effettuare l'accesso.

Scorciatoia: Premete **REC** sul telecomando per entrare direttamente nel menù PVR.

3. Premete:
 - Il tasto **REC** per avviare la registrazione, il file registrato è situato in una cartella PVR in **MEDIA > VIDEO** (Media > Video);
 - il tasto **■** per interrompere manualmente la registrazione, se la durata della registrazione si esaurisce, essa verrà automaticamente interrotta.
 - **^/v/</>** per regolare la durata della registrazione.
4. Durante la registrazione, un mini pannello PVR sarà visualizzato sullo schermo per indicare il progresso della registrazione.
5. Per guardare il programma registrato, uscire prima dalla modalità PVR e passare a **MEDIA > VIDEO** (Media > Video). Selezionare la cartella PVR, quindi selezionare il relativo file registrato. Premere **OK** per riprodurlo. (È lo stesso se l'utente registra un programma di radio digitale).

Note:

- *Quando viene utilizzata una scheda CI+, la funzione PVR sarà disabilitata.*
- *Disponibile solo per canali digitali.*
- *Supporta solo dispositivi di memoria USB con formattazione FAT32.*
- *Prima di collegare il dispositivo USB all'apparecchio, assicurarsi di aver fatto il back-up dei dati nel dispositivo per evitare la perdita di dati importanti dovuta ad un inatteso malfunzionamento.*
- *Più grandi sono le dimensioni del dispositivo USB di memoria per la*

funzione PVR, più lungo è il tempo di registrazione.

- Se si desidera cambiare canale o sorgente di segnale nella registrazione, memorizzare i dati di registrazione prima di effettuare il cambio di canale o di sorgente.
- Il televisore non può riprodurre il file se i parametri del file superano le limitazioni del sistema, se il formato del file non è supportato, se il file è danneggiato e se il file non può essere decodificato.
- Non scollegate il dispositivo di memoria USB quando il sistema sta leggendo o trasmettendo i dati, altrimenti il sistema o il dispositivo potrebbe esserne danneggiati.

Lista di programmazione

Questa funzione viene utilizzata per eseguire la registrazione programmata.

1. Premere **OPTION** sul telecomando e selezionare **QUICK ACCESS > Schedule List** (Accesso rapido > Lista programmazione).
2. Premere **OK** per visualizzare la **Schedule List** (Lista programmi).
3. Per aggiungere una programmazione nel tuo elenco di programmazione, premere il pulsante rosso prima per visualizzare **Schedule List** (Lista programmazione). Poi,
 - **Channel Number** (Numero del canale): usare **</>** per selezionare il numero del canale.
 - **Start Date** (Data inizio): utilizzare i tasti numerici per impostare la data di registrazione.
 - **Start Time** (Ora inizio): consente di impostare l'ora di inizio della registrazione.
 - **Stop Time** (Ora arresto): impostare il tempo di arresto della registrazione.
 - **Schedule Type** (Tipo programmazione):
 - Impostare un **Reminder** (promemoria) per essere avvisati che è possibile passare alla trasmissione programmata quando giunge l'ora impostata. Se non è stata eseguita nessuna operazione al giungere dell'ora impostata, la finestra di dialogo scomparirà

e nessun'altra operazione sarà eseguita.

- Impostare **Record** (Registrazione) per controllare se si desidera veramente avviare la registrazione programmata al giungere dell'ora impostata. Se non è stata eseguita alcuna operazione al giungere dell'ora impostata, la registrazione programmata comincerà automaticamente.
 - **Repeat Type** (Tipo ripetizione): consente di impostare diverse modalità di ripetizione della registrazione.
4. Premere **^/√/</>** per selezionare **Add** (Aggiungi), quindi premere **OK** per aggiungere la programmazione impostata nella vostra lista di programmazione.
 5. Premere il tasto rosso per ripetere le procedure sopra riportate per aggiungere un altro programma.
 6. Se si desidera modificare o cancellare un programma, selezionarlo e premere **OK** per entrare.
 7. Premere **EXIT** per chiudere il menù.

Connessione di rete

È possibile impostare il televisore in modo che possa accedere a Internet tramite la rete locale (LAN) utilizzando una connessione cablata o senza fili.

Connessione a una rete cablata

È possibile collegare la TV alla vostra LAN usando un cavo in tre modi:

- È possibile collegare la TV alla rete LAN, collegando la porta LAN sul vostro televisore ad un modem esterno tramite un cavo Cat 5.
- È possibile collegare la TV alla rete LAN, collegando la porta LAN sul vostro televisore ad uno Share IP che è collegato a un modem esterno. Utilizzare cavo Cat 5 per il collegamento.
- A seconda di come la rete è configurata, si può essere in grado di collegare la TV alla rete LAN, collegando la porta LAN sul televisore direttamente a una presa di rete a muro utilizzando un cavo Cat 5. Si noti che la presa a muro è collegata a un modem o router altrove nella vostra casa.

Selezionare **SETUP > Network > Settings > Interface** (Configurazione > Rete > Impostazioni > Interfaccia), poi selezionare **Ethernet** (Ethernet) per connettersi ad una rete cablata.

Connessione a una rete senza fili

Per collegare il TV alla rete wireless, serve un router wireless o un modem con un adattatore WIFI; sarà necessario comprarlo separatamente. Collegare l'adattatore WIFI alla porta **USB 1** del TV.

1. Selezionare **SETUP > Network > Settings > Interface** (Configurazione > Rete > Impostazioni > Interfaccia), quindi selezionare **Wireless** (Senza Fili) per connettersi a una rete senza fili.
2. Selezionare **Wireless Setting** (Impostazione senza fili) e premere **OK/** per entrare.
3. **Metodi di Connessione:** È possibile impostare la connessione di rete wireless in tre modi.
 - **Scan** (Scansione)
 - Selezionare **Wireless Setting > Scan** (Impostazione senza fili > Scansione), quindi premere **OK/**, la TV farà la scansione di tutti i punti di accesso nel raggio d'azione. I punti di accesso trovati dalla TV saranno visibili.
 - Selezionare un punto di accesso disponibile, quindi premere **OK/** per collegare il televisore ad esso.

Note:

- Se si seleziona un punto di accesso protetto, è necessario inserire la relativa password. Premere **OK** sul telecomando per visualizzare la tastiera virtuale per consentire di inserire la password.
- Questo apparecchio ha una funzione di memoria del punto di accesso disponibile, che gli permette di collegarsi alla rete anche se si accende il televisore dopo lo spegnimento.
- **Manual** (Manuale)
 - Selezionare **Wireless Setting > Manual** (Impostazione senza fili > Manuale), quindi premere **OK/**, vi verrà richiesto di inserire il SSID corretto di un router senza

fili disponibile per configurare la connessione.

- **Auto** (Auto)
 - Se il vostro AP supporta WPS (Configurazione Wi-Fi Protetto), è possibile connettersi alla rete tramite PIN (Numero di Identificazione Personale) o PBC (Configurazione Pulsante). WPS configura automaticamente il SSID e chiave WPA in entrambe le modalità. Selezionare **Wireless Setting > Auto** (Impostazione senza fili > Auto), quindi premere **OK/** per entrare.
 - **PIN** (PIN): Selezionare **PIN** (PIN) e premere **OK/** per entrare. Generare un codice casuale PIN. Assicurarsi che questo codice venga installato nell'AP. (Per le procedure, consultare il manuale del router). Premere **OK/** di nuovo per configurare la connessione.
 - **PBC** (PBC): Se il router dispone di un pulsante PBC, selezionare **PBC** (PBC), quindi premere **OK/** per entrare. Premere il pulsante PBC sul router entro 2 minuti dopo aver premuto di nuovo **OK/**. Il televisore acquisirà in automatico tutti i valori di impostazione di rete di cui ha bisogno e si conatterà alla rete.

Configurazione della rete

1. Premere **MENU** sul telecomando e selezionare **SETUP > Network > Settings > Internet Connection** (Configurazione > Rete > Impostazioni > Collegamento a Internet). Premere **</>** per selezionare **On** (Acceso). Attendere che la connessione venga stabilita automaticamente.
2. Selezionare **SETUP > Network > Settings > Connection Test** (Configurazione > Rete > Impostazioni > Test di collegamento), quindi premere **OK/** per verificare la connettività ad Internet. Se non funziona, seguire il punto sotto riportato per assicurare la connettività.
3. Selezionare **SETUP > Network > Settings > IP Setting** (Configurazione > Rete > Impostazioni > Impostazione IP), quindi

premere **OK/**> per entrare nel menù **IP Setting** (Impostazione IP).

- Impostando **Address Type** (Tipo indirizzo) su **Auto** (Auto), acquisirà ed inserirà l'indirizzo IP necessario automaticamente.
- Si può seguire la procedura sotto riportata per inserire l'indirizzo IP manualmente.
 - Impostare **Address Type** (Tipo indirizzo) su **Manual** (Manuale), quindi premere **v** per passare al primo campo di inserimento.
 - Inserire i valori **IP Address** (Indirizzo IP), **Subnet Mask** (Maschera di sottorete), **Default Gateway** (Gateway predefinito), **Primary DNS** (DNS primario) e **Secondary DNS** (DNS secondario). Usare i tasti numerici per inserire i numeri ed i tasti freccia per spostarsi da un campo di immissione ad un altro.
- Dopo l'impostazione, selezionare **O SETUP > Network > Settings > Connection Test** (Configurazione > Rete > Impostazioni > Test di Collegamento) per verificare di nuovo la connettività Internet.

4. Selezionare **SETUP > Network > Settings > Information** (Configurazione > Rete > Impostazioni > Informazioni), quindi premere **OK/**> per visualizzare le informazioni sulla connessione in corso, come Interfaccia, Tipo indirizzo, Indirizzo IP, ecc.

Navigare sul PC tramite Share & See

Se avete foto, video o file musicali memorizzati su un computer collegato ad una rete casalinga, potete riprodurre quei file sul vostro televisore.

Collegamento al PC

Assicuratevi prima di tutto di stabilire una connessione via cavo o wireless dal televisore al router. Quindi collegare il computer al router o con un cavo di rete o wireless. Assicuratevi anche **SETUP > Network > Settings > Internet Connection** (Configurazione > Rete > Impostazione > Collegamento a Internet) sia su **On** (Attivo) e che il firewall del vostro pc non blocchi la connessione.

Attivare la funzione Share & See

Selezionate **SETUP > Network > Applications > Share & See** (Configurazione > Rete > Applicazioni > Share & See), ed impostatela su **On** (Attivo).

Seguite a turno i passi sotto riportati.

Aggiunta di media dal PC per la condivisione

Installare un server multimediale Share & See nel proprio PC. Il server semplice e familiare che potrete installare è Microsoft Windows Media Player 11. Permettete alla vostra TV di condividere i file designati sul vostro PC.

1. Aprire Microsoft Windows Media Player 11.
 - Selezionare **Library > Media Sharing** (Libreria > Condivisione media).
 - Segnare la casella di controllo **Share my media to** (Condividi i miei media su).
 - Selezionare l'icona del televisore collegato al PC.
 - Selezionare **Allow** (Consenti) per consentire al televisore di accedere al vostro PC, e selezionare **OK** per attivare il vostro consenso.

*Nota: Utilizzare il tasto **Settings** (impostazioni) per personalizzare le impostazioni desiderate.*

2.
 - Selezionare **Library > Add to Library** (Libreria > Aggiungi alla libreria).
 - Selezionare le cartelle personali o le cartelle di altri utenti, alle quali potete accedere, per la condivisione.
 - Selezionare **Add** (Aggiungi) e premere **OK** per abilitare la vostra aggiunta.

Applicazione Share & See

Selezionate **MEDIA** (Media) nel menù principale e premete **OK** per accedere al media center. Quindi potete vedere foto, ascoltare musica o vedere video che siano memorizzati nel pc.

Smart TV

Consente di utilizzare applicazioni Internet (App), siti internet appositamente adattati per la TV. Potete controllare le App col telecomando del televisore.

AVVERTENZA:

- Configurare le impostazioni della rete prima di utilizzare **Smart TV**.
- In base alle condizioni della propria rete, potrebbero essere possibili tempi di risposta lunghi e/o interruzioni.
- Se si verificano problemi durante l'uso di un'applicazione, si prega di contattare il fornitore di contenuti.
- A seconda delle circostanze del fornitore di contenuti, gli aggiornamenti per una applicazione o l'applicazione stessa potrebbero essere sospesi.
- In base alle norme del proprio paese, alcune applicazioni potrebbero essere limitate nella loro funzionalità o non essere supportate.

Accesso alle applicazioni Smart TV (Apps)

1. Selezionate **SMART TV** (SMART TV) nel menù principale e premete **OK** per visualizzare la home page Smart TV.

Scorciatoia: Premete **SMART TV** sul telecomando per visualizzare direttamente la home page Smart TV.

2. Utilizzate **^/√/⟨/⟩** per selezionare un'App e premete **OK** per entrare.

HbbTV

Alcune emittenti di canali digitali offrono la HbbTV interattiva (Hybrid Broadcast Broadband TV).

Con la HbbTV, l'emittente combina il proprio normale programma televisivo con tutti i tipi di informazione o intrattenimento. Potete vedere interattivamente queste informazioni.

Per godere appieno della HbbTV, dovete vollegiare il televisore ad internet.

Nota: Non potete scaricare file sul vostro televisore con questa funzione.

Accesso HbbTV

Quando vi sintonizzate su un canale che offra la HbbTV, premete il tasto rosso per aprire le pagine interattive. Quindi usate **^/√/⟨/⟩** per navigare tra le pagine HbbTV e premete **OK** per confermare.

Note sulla password nella funzione di blocco del Controllo parentale:

- La password predefinita è 1234. Si può cambiare con una nuova.
- La super password è 0423. Se si dimentica il codice, inserire la super password per annullare eventuali codici esistenti.

Risoluzione dello schermo:

- 1920X1080

Contatta IKEA

Se hai domande sulla tua nuova TV o sul sistema audio UPPLEVA o hai bisogno di assistenza, contatta il Servizio Clienti IKEA sul sito www.IKEA.it

Per avere la migliore assistenza possibile, leggi attentamente il manuale prima di contattarci e tieni a portata di mano il codice articolo del prodotto che hai acquistato. Trovi il codice articolo a 8 cifre sullo scontrino o sul dorso della tua TV o del tuo sistema audio UPPLEVA.

Ważne informacje

Bezpieczeństwo

Należy upewnić się, że napięcie zasilania w gospodarstwie domowym jest zgodne z napięciem wskazanym na etykiecie informacyjnej z tyłu telewizora. Tam gdzie w charakterze urządzenia odłączającego wykorzystywana jest wtyczka sieci zasilającej lub złącze urządzenia, urządzenie odłączające powinno być łatwo dostępne.

W niektórych modelach lampka sygnalizacyjna znajduje się z boku telewizora. Brak sygnalizacji świetlnej z przodu nie oznacza, że telewizor jest całkowicie odłączony od zasilania. W celu całkowitego odłączenia telewizora należy wyciągnąć wtyczkę z gniazda zasilania.

Elementy, z których wykonany jest telewizor są wrażliwe na ciepło. **Maksymalna temperatura otoczenia, w jakiej może pracować telewizor**, nie powinna przekraczać 35°C. Nie wolno zakrywać otworów wentylacyjnych z tyłu lub po bokach odbiornika telewizyjnego. Aby umożliwić poprawną wentylację, wokół urządzenia należy pozostawić wolną przestrzeń. Urządzenie należy zamontować z dala od źródeł ciepła (kominka itp.) i urządzeń wytwarzających silne pole magnetyczne lub elektryczne.

Wilgotność pomieszczenia, w którym ma zostać zamontowany odbiornik, nie powinna przekraczać 85%. **Urządzenie nie powinno być wystawiane na działanie wody**, nie powinno się także umieszczać na nim przedmiotów wypełnionych płynami, takich jak wazony. Przenoszenie odbiornika z zimnego do ciepłego miejsca może spowodować skraplanie się pary wodnej na ekranie (oraz niektórych podzespołach wewnątrz odbiornika telewizyjnego). Przed włączeniem telewizora należy poczekać, aż skroplona para wodna odparuje.



OSTRZEŻENIE

Aby zapobiec niebezpieczeństwu pożaru, nie wolno do tego produktu zbliżać świec ani innych źródeł otwartego ognia.

Przycisk ϕ lub **POWER**/ ϕ w telewizorze lub przycisk ϕ na pilocie są używane do włączenia i ustawienia w tryb gotowości. Jeśli telewizor **nie będzie używany przez dłuższy czas**, należy odłączyć go z sieci przez wyjęcie wtyczki z gniazda zasilającego.

W trakcie **burzy z wyładowaniami** atmosferycznymi zaleca się odłączenie odbiornika telewizyjnego z sieci zasilającej i antenowej, co pozwoli uniknąć uszkodzeń związanych z wyładowaniami elektrycznymi lub elektromagnetycznymi. Z tego powodu zaleca się, aby **gniazdo zasilania i antenowe** było łatwo dostępne, co w razie potrzeby, pozwoli na **odłączenie** urządzenia.

Jeśli podczas użytkowania z urządzenia zacznie **się wydobywać dym** lub wyczuwalny będzie **zapach spalenizny**, to należy natychmiast odłączyć przewód zasilający. Pod żadnym pozorem nie wolno samodzielnie otwierać pokrywy odbiornika telewizyjnego ze względu na **ryzyko porażenia** prądem.

Ekran TV

Ekran TV używany w tym produkcie jest ze szkła. Może się rozbić, jeśli zostanie upuszczony, albo uderzony.

Jest to produkt o wyrafinowanej technologii, dający obrazy z odtworzeniem drobnych szczegółów. Czasem może mieć kilka nieaktywnych pikseli objawiających się jako punkty niebieskie, zielone lub czerwone. Nie ma to wpływu na działanie produktu.

Czynności konserwacyjne

Do czyszczenia ekranu należy stosować środki myjące do szyb; resztę odbiornika należy wycierać ściereczką z dodatkiem łagodnych środków czyszczących.

Ważne: Ekran może ulec uszkodzeniu, jeśli do jego czyszczenia stosowane są silne detergenty, środki czyszczące z zawartością alkoholu lub materiały ściągające.

Zaleca się czyszczenie otworów wentylacyjnych z tyłu i po bokach urządzenia. Stosowanie rozpuszczalników, środków czyszczących z zawartością alkoholu lub materiałów ściągających może spowodować uszkodzenie odbiornika telewizyjnego. Jeśli do środka urządzenia dostanie się ciało obce lub płyn, należy natychmiast odłączyć urządzenie i oddać do przeglądu przez autoryzowanego technika. Nie wolno samodzielnie otwierać pokrywy urządzenia, może być to niebezpieczne dla użytkownika lub uszkodzić urządzenie.

Montaż telewizora na ścianie

OSTRZEŻENIE: Ta czynność wymaga obecności dwóch osób.

Aby zapewnić bezpieczny montaż, należy zapoznać się z następującymi uwagami dotyczącymi bezpieczeństwa:

- Należy sprawdzić, czy ściana zdoła utrzymać ciężar odbiornika telewizyjnego oraz uchwyty mocującego.
- Należy przestrzegać instrukcji montażu dostarczonych wraz z uchwytem mocującym. W przypadku niektórych modeli należy pamiętać, aby przed przystąpieniem do montażu wkręcić gwintowane wkłady śrub sześciokątnych (oraz śruby) uchwyty VESA, dostarczone z odbiornikiem, w otwory uchwyty ściennego znajdujące się z tyłu odbiornika.
- Odbiornik telewizyjny musi być montowany na pionowej ścianie.
- Należy upewnić się, że rodzaj wkrętów odpowiada materiałowi, z jakiego wykonana jest ściana.
- Należy upewnić się, że okablowanie odbiornika telewizyjnego jest umieszczone w miejscu nie grożącym zahaczeniem i przewróceniem innych użytkowników.

Pozostałe zalecenia bezpieczeństwa dotyczące tego odbiornika telewizyjnego mają zastosowanie także tutaj.

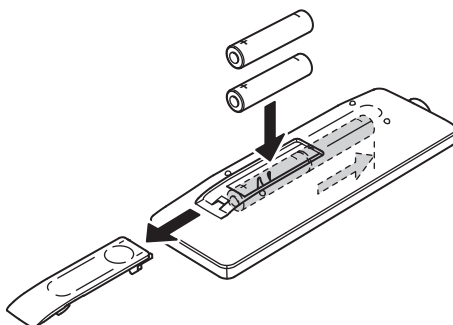
Montaż telewizora na stoliku

Przed montażem odbiornika telewizyjnego należy upewnić się, że powierzchnia, na której odbiornik ma zostać umieszczony, będzie w stanie utrzymać jego ciężar.

Nie należy umieszczać odbiornika na niestabilnej powierzchni (np. ruchomej półce, blisko krawędzi podstawy urządzenia) i należy upewnić się, że przód odbiornika telewizyjnego nie wystaje ponad krawędź powierzchni, na której został umieszczony.

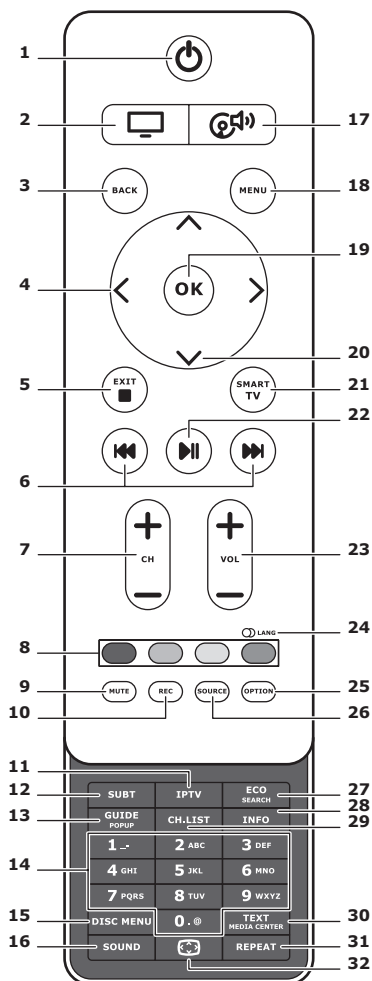


Urządzenie zostało zaprojektowane i wyprodukowane z wysokiej jakości materiałów, które mogą zostać poddane utylizacji. Ten symbol oznacza, że dla zapobieżenia negatywnemu oddziaływaniu na środowisko i zdrowie ludzi, sprzęt elektryczny i elektroniczny po zakończeniu eksploatacji, powinien być likwidowany oddzielnie od odpadów gospodarstwa domowego. Urządzenie należy przekazać do lokalnego punktu przyjmowania tego typu odpadów lub do punktu odzysku surowców wtórnych. W krajach Unii Europejskiej istnieje kilka systemów gromadzenia zużytych urządzeń elektrycznych i elektronicznych. Chrońmy razem nasze środowisko!



Funkcje pilota

Większość funkcji telewizora jest dostępnych w menu pojawiającym się na ekranie. Pilot, który jest dołączony do odbiornika, może być używany do obsługi telewizora za pośrednictwem menu oraz do konfiguracji ustawień ogólnych.



1. Gotowość/wyjście z gotowości.
2. Przełączenie pilota na używanie telewizora.
3. **BACK**
Powrót do poprzedniego menu.
Powrót do poprzedniego kanału.
4. **<>**
Do poruszania się w menu.
Do ustawiania funkcji i zmiany wartości.
> może być też użyty do otwarcia odpowiedniego podmenu.
5. **EXIT/■**
Wyjście z menu lub teletekstu;
zatrzymanie niektórych funkcji.
6. **⏮ ⏭**
Szybki przesuw w przód lub w tył,
(należy nacisnąć i przytrzymać w funkcji Media); dla przełączenia na poprzedni lub następny obraz, piosenkę lub wideo.
7. **CH+/-**
Zmiana kanałów.
8. **Przyciski kolorowe**
Wybór zadania lub strony teletekstu.
Przycisk czerwony może być też użyty dla funkcji MHEG.
9. **MUTE**
Wyłączenie/włączenie dźwięku.
10. **REC**
Do zapisu programu.
11. **IPTV**
Brak funkcji.

12. SUBT

Wybór dostępnego języka napisów dla wybranego programu cyfrowego TV.

13. GUIDE

Włączanie/wyłączanie Elektronicznego przewodnika programów (dostępny tylko dla kanałów cyfrowych).

14. 0-9

Do wprowadzenia numeru kanału.
Dla wprowadzenia litery, cyfry lub symbolu w niektórych funkcjach.

15. DISK MENU

Brak funkcji.

16. SOUND

Wyłączenie/włączenie ustawionego trybu dźwięku.

17. 

Przełączenie pilota na używanie systemu dźwięku.

18. MENU

Dostęp do menu głównego.
Dla uzyskania dostępu lub opuszczenia wirtualnej klawiatury w funkcji telewizora inteligentnego.

19. OK

Potwierdzenie wprowadzenia lub wyboru.
Dla zatrzymania / zwolnienia obrazu w trybie TV cyfrowej.

20.  

Do poruszania się w menu.
Dla wyboru opcji menu.

21. SMART TV

Wyświetlanie strony głównej telewizora inteligentnego.

22. 

Odtwarzanie/pauza.

23. VOL+/-

Regulacja głośności.

24.  LANG

Wybór dostępnego typu dźwięku dla wybranego programu TV analogowej.
Wybór dostępnego języka audio dla wybranego programu TV cyfrowej.

25. OPTION

Wyświetlanie menu funkcji.
Dla wykonania pewnych operacji.
Dla wyświetlenia strony teletekstu w różnych trybach.

26. SOURCE

Wybór podłączonych urządzeń.

27. ECO

Służy do ustawienia w żądanym trybie oszczędzania energii.

28. INFO

Wyświetlanie informacji o programie, jeśli dostępna.

29. CH.LIST

Wyświetla listę kanałów.

30. TEXT/MEDIA CENTER

Włączanie/wyłączanie teletekstu.

31. REPEAT

Brak funkcji.

32. 

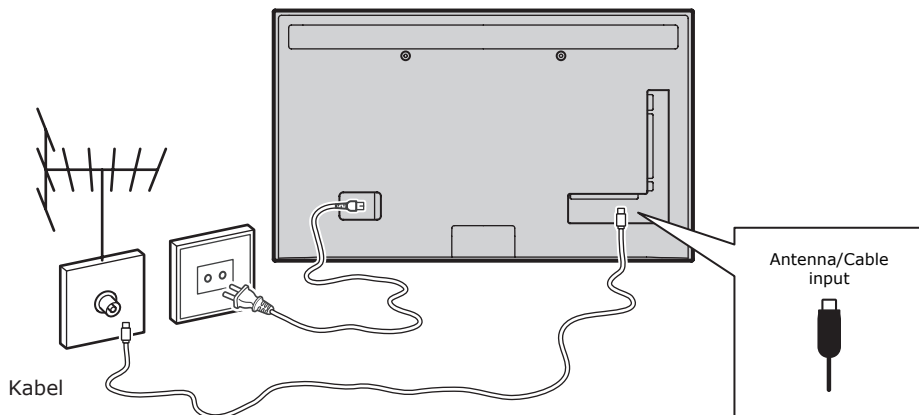
Wybór formatu obrazu.
Uwaga: Zaleca się używanie trybu pełnoekranowego. Nie zaleca się ciągłego używania trybu wyświetlania z czarnymi paskami z obydwu stron (takimi jak w proporcjach 4:3), może to doprowadzić do trwałego uszkodzenia ekranu telewizora.

Podłączyć zasilanie i antenę

Aby włączyć telewizor po podłączeniu sznura sieciowego, nacisnąć \odot lub **POWER**/ \odot .

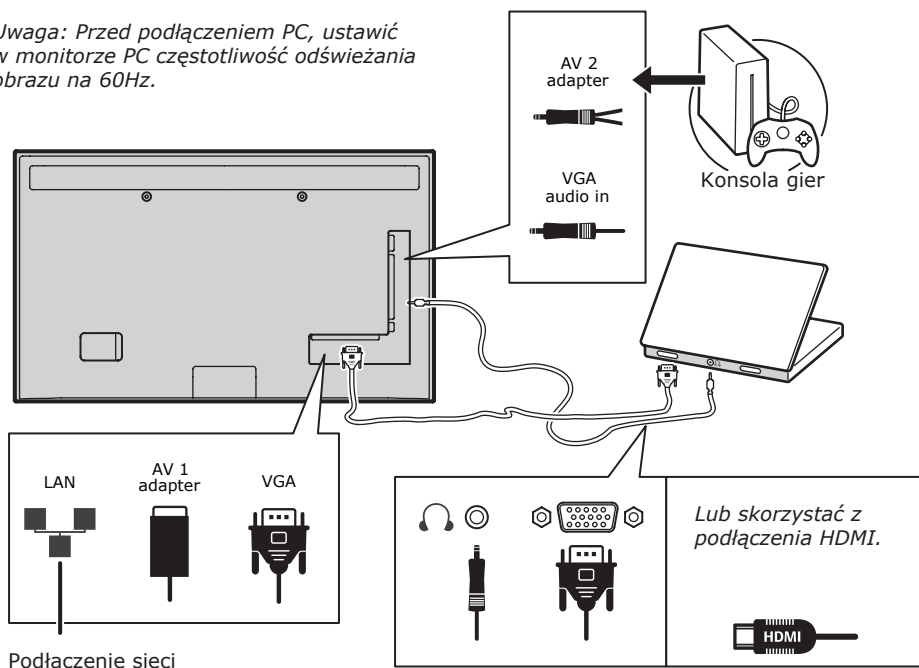
Uwaga: Położenia gniazda zasilania jest różne w różnych modelach telewizorów.

W niektórych typach trzeba najpierw włączyć wyłącznik zasilania.

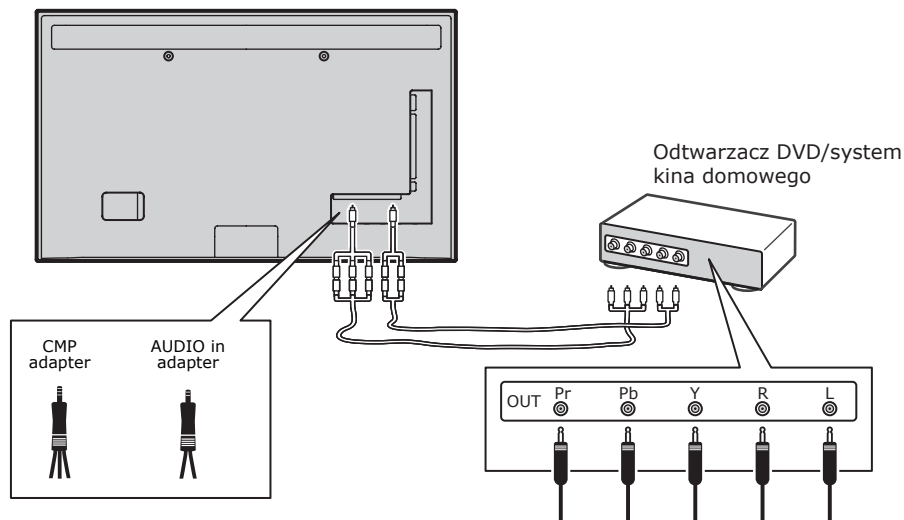


Konsola gier, PC

Uwaga: Przed podłączeniem PC, ustawić w monitorze PC częstotliwość odświeżania obrazu na 60Hz.



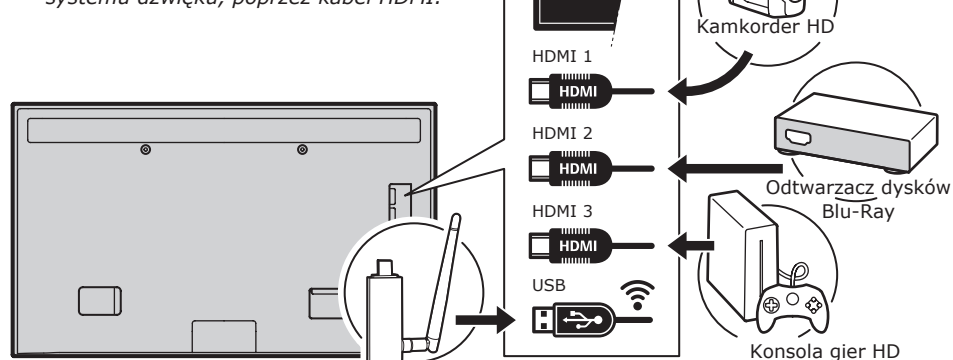
Odtwarzacz DVD, system kina domowego



Odtwarzacz dysków Blu-ray, słuchawki, konsola gier HD i kamkorder HD

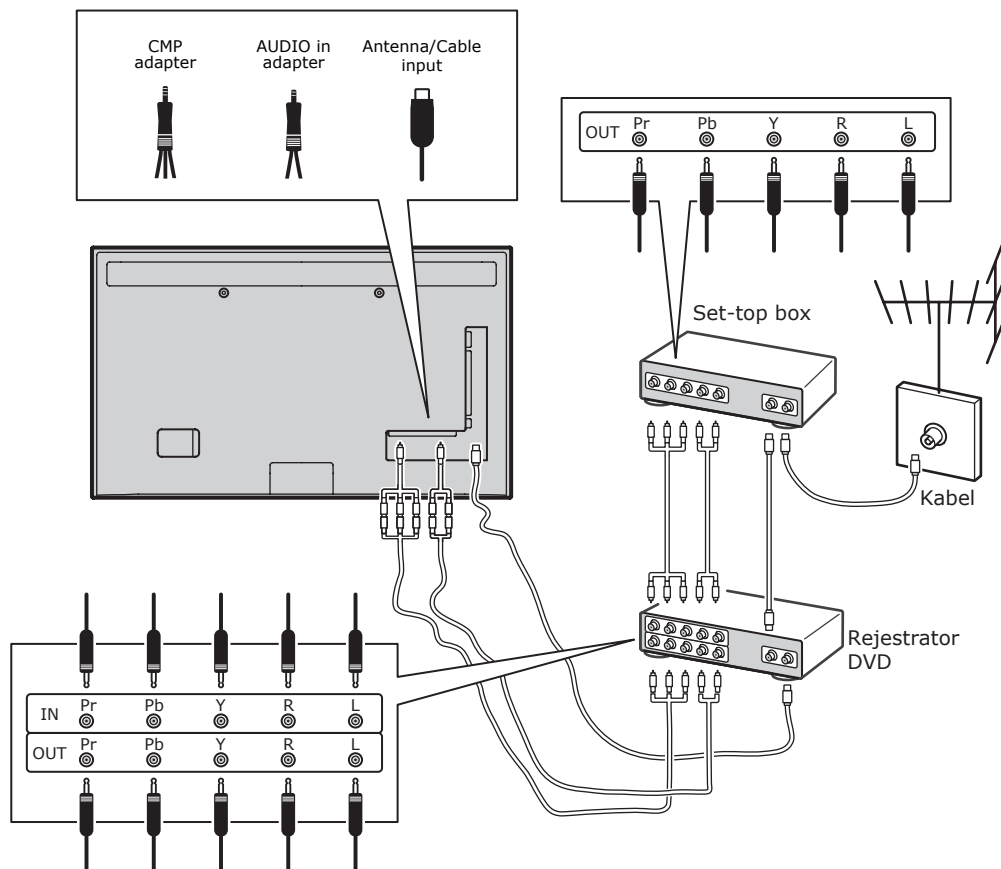
Uwagi:

- Złącza USB służą do wprowadzania danych z pamięci urządzeń USB. Do posiadanego wtyku pamięci USB może być podłączany tylko port **USB 1**.
- Nadmierna głośność słuchawek wkładanych do ucha lub na uszy może skutkować utratą słuchu.
- Ilość złączy HDMI może być różna.
- Funkcja ARC (Audio Return Channel) obsługiwana jest tylko na porcie **HDMI 4 (ARC)**. Zaleca się podłączenie kina domowego do złącza HDMI ARC, w celu przesłania dźwięku z telewizora do systemu dźwięku, poprzez kabel HDMI.



Odtwarzacz DVD, odbiornik kablowy

*Uwaga:
Odlączyć sznur zasilania przed łączeniem urządzeń.*



Uwagi:

- Te rysunki są tylko poglądowe. Posiadany typ może się różnić wyglądem i może nie posiadać wszystkich pokazanych podłączeń.
- Położenia gniazda zasilania jest różne w różnych modelach telewizorów, stosownie do typu.
- Położenia i nazwy przycisków funkcyjnych oraz złącz mogą być różne w różnych modelach telewizorów, stosownie do typu.

Ważne:

Jeśli urządzenie ma być nie używane przez długi czas, to proszę wyjąć baterie i właściwie je przechowywać. Z uszkodzonymi lub ciekącymi bateriami należy obchodzić się ostrożnie. Jeśli posiadany pilot ma dwie baterie, to nie należy mieszać nowej ze starą. Baterii nie należy wystawiać na działanie nadmiernego ciepła, spowodowanego na przykład promieniami słonecznymi, ogniem itp. Przy niewłaściwej wymianie baterii istnieje niebezpieczeństwo eksplozji. Wymieniać tylko na ten sam typ lub równoważny, zalecony przez producenta. Zużyte baterie należy utylizować zgodnie z zaleceniami producenta. Proszę postępować zgodnie z lokalnymi przepisami recyklingu i zwrócić zużyte baterie do lokalnego punktu utylizacji. Jeżeli baterie w pilocie wyczerpały się, do obsługi telewizora możesz użyć przycisków znajdujących się na odbiorniku. W trybie TV mają one takie same funkcje, jak przyciski pilota. W menu odpowiadają im następujące funkcje:

CH ^	^
CH v	v
VOL >	>
VOL <	<
MENU/☰	MENU
OK/☑	OK

Wyłącz telewizor i włącz ponownie

- Po włączeniu zasilania telewizor włączy się bezpośrednio, lub będzie w stanie gotowości. Aby telewizor wyłączyć, jeśli jest w stanie gotowości, naciśnij przycisk ϕ lub **POWER/** ϕ na odbiorniku lub przycisk pilota ϕ .
- Aby telewizor ustawić w stan gotowości, naciśnij przycisk ϕ lub **POWER/** ϕ na odbiorniku lub przycisk pilota ϕ . Telewizor jest nadal zasilany, ale z małym poborem mocy.
- Aby telewizor wyłączyć, należy wyciągnąć wtyczkę z gniazdka zasilania sieciowego.

(*W niektórych typach trzeba najpierw wyłączyć wyłącznik zasilania.)

Konfiguracja początkowa

Konfiguracja początkowa obejmuje wybór wszystkich ustawień, które są wymagane do

wyszukania i zapisania wszystkich kanałów analogowych i cyfrowych, jakie można odbierać. Upewnij się, że telewizor jest włączony, a następnie wykonaj wszystkie kroki przedstawione poniżej.

Uwaga: Jeśli wyszukiwanie kanałów znalazło tylko kanały TV analogowej, to może być spowodowane niską mocą nadawania i dlatego nie jest objęte gwarancją producenta. Producenci nie mogą być uznani za odpowiedzialnych za słaby poziom nadawania w niektórych strefach.

Przy pierwszym włączeniu odbiornika, otwiera się kreator **Initial Setup** (Ustawienia), prowadzący proces ustawień początkowych. (Patrz rysunek 1.) Naciśnąc **OK**, by rozpocząć ustawienia początkowe.

- Przyciskami \wedge/\vee wybierz język, a następnie naciśnij przycisk **OK/** \blacktriangleright , aby przejść do następnego kroku.
- Przyciskami \wedge/\vee wybierz kraj użytkownika, a następnie naciśnij przycisk **OK/** \blacktriangleright , aby przejść do następnego kroku.

*Uwaga: Przy wyborze **France** (Francja), trzeba wejść do menu **Password Setting** (Ustalenie hasła) w celu wprowadzenia hasła. Do wprowadzenia czterocyfrowego hasła stosować przyciski cyfrowe. (0000 jest za proste jako hasło.) Powtórnie wprowadzić ten sam kod dla potwierdzenia hasła. Przejście do następnego kroku nastąpi automatycznie. (W tym kroku można również nacisnąć przycisk **BACK**, aby wrócić do poprzedniego kroku.)*

- Naciśnij \wedge/\vee , aby wybrać tryb tunera dla telewizji: **Antenna** (Antena), **Cable** (Telewizja kablowa), **Satellite** (Satelita). (*Uwaga: Ta opcja może być niedostępna dla niektórych typów.*)
 - Wybierz **Antenna** (Antena).
 - Naciśnij **OK/** \blacktriangleright , aby przejść do ustawień funkcji.
 - Wybrać **Digital & Analogue** (Cyfrowy & Analogowy), **Digital** (Cyfrowy) lub **Analogue** (Analogowy), i nacisnąć **OK/** \blacktriangleright .
 - Nacisnąć \wedge/\vee by wybrać **Scan** (Szukaj), następnie nacisnąć **OK/** \blacktriangleright , by rozpocząć automatyczne wyszukiwanie wszystkich kanałów DVB-T cyfrowych i/lub analogowych.
 - Wybierz **Cable** (Telewizja kablowa).
 - Naciśnij **OK/** \blacktriangleright , aby przejść do ustawień funkcji.

- Wybrać **Digital & Analogue** (Cyfrowy & Analogowy), **Digital** (Cyfrowy) lub **Analogue** (Analogowy), i nacisnąć **OK/➤**.
- Nacisnąć **▲/▼**, aby wybrać **Scan** (Szukaj), następnie nacisnąć **OK/➤**, by rozpocząć ustawianie początkowe albo przejść do następnego kroku.
- Wybrać **Full** (Pełny), jeśli dostępne, dla wyszukania i zapamiętania wszystkich kanałów cyfrowych i analogowych DVB-C.
- Można wybrać inny rozszerzony tryb wyszukiwania, jeśli dostępny, (np., **Advanced** (Zaawans.)), a następnie wprowadzić właściwą informację o kablu, jak podano poniżej. Do korygowania częstotliwości, klasyfikacji symbolicznej i identyfikatora sieci stosować klawisze cyfr; dla wyboru rodzaju modulacji stosować klawisze **◀/▶**.
- Naciśnij **OK**, aby rozpocząć konfigurację początkową wszystkich kanałów analogowych i cyfrowych DVB-C.

– Wybrać **Satellite** (Satelita).

Uwaga: Ta opcja może być niedostępna dla niektórych typów.

- Naciśnij **OK/➤**, aby zatwierdzić.
- Naciśnij **▲/▼**, aby wybrać **Scan** (Skanuj), a następnie naciśnij **OK/➤**, aby przejść do następnego kroku umożliwiającego konfigurację ustawień dla satelity i anteny.
- Naciśnij **OK**, aby rozpocząć wstępną konfigurację wszystkich kanałów satelitarnych.

Uwagi: Aby uniknąć przerwania procesu konfiguracji kanałów, poczekaj na wyświetlenie komunikatu o zakończeniu konfiguracji.

4. Przed rozpoczęciem wyszukiwania, można też wybrać **Skip Scan** (Pomiń wyszukiwanie), aby ominąć proces ustawień początkowych.
5. Podczas konfiguracji użytkownik może postępować zgodnie z wyświetlanymi u dołu ekranu wskazówkami, aby powrócić do poprzedniego kroku, naciskając przycisk **BACK**. Można też nacisnąć przycisk **EXIT**, aby zakończyć lub przerwać trwające wyszukiwanie.
6. Po zakończeniu automatycznego wyszukiwania, odbiornik przechodzi do następnego kroku automatycznie.

Nacisnąć **▲/▼**, by wybrać lokalizację **Shop** (Sklep) lub **Home** (Dom). Nacisnąć **OK/➤**, by potwierdzić wybór i przejść do ostatniego kroku.

7.

- W tym kroku można nacisnąć przycisk **OK**, aby zakończyć konfigurację wstępną. Kanały zostaną uporządkowane w zaprogramowanej kolejności. Aby pominąć niektóre kanały, zmodyfikować początkową kolejność lub zmienić nazwy kanałów, wybierz opcje **SETUP > Organiser** (Konfiguruj > Organizator) i naciśnij przycisk **OK/➤**, aby przejść do konfiguracji opcji.
- W tym kroku można również nacisnąć przycisk **BACK**, aby wrócić do poprzedniego kroku.

Automatyczne ustawianie kanałów

W tej części opisane jest, jak automatycznie wyszukiwać i zapisywać kanały. Instrukcje te dotyczą zarówno kanałów analogowych, jak i cyfrowych.

1. Naciśnij przycisk **MENU** na pilocie i wybierz opcję **SETUP > Language > Menu Language** (Konfiguruj > Język > Język menu). Przyciskami **◀/▶** wybierz żądany język menu.
2. Nacisnąć **BACK** by powrócić do **SETUP** (Konfiguruj), nacisnąć **▲/▼**, by wybrać **Country** (kraj), następnie nacisnąć **◀/▶**, by wybrać kraj właściwy. Odbiornik TV zainstaluje i uporządkuje kanały odpowiednio dla danego kraju.
3. Nacisnąć **▲/▼**, by wybrać **Tuner Mode** (Tryb tunera), następnie nacisnąć **◀/▶**, by wybrać **Antenna** (Antena), **Cable** (Telewizja kablowa) lub **Satellite** (Satelita).

(Ta opcja może być niedostępna dla niektórych typów.)

- Wybierz **Antenna** (Antena).
- Naciśnij **▲/▼**, aby wybrać **Channel Install** (Ustawianie kanałów) i naciśnij **OK/➤**, aby zatwierdzić.
- Wybierz **Automatic Search** (Wyszukiwanie automatyczne) (patrz rysunek 2.), naciśnij **OK/➤**, aby wyświetlić opcję **Automatic Search** (Wyszukiwanie automatyczne).
- Nacisnąć **OK**, by ominąć wybór kraju i przejść do następnego kroku. Albo

- użyć **</>** dla powtórnego wyboru kraju i nacisnąć **OK**, by zatwierdzić.
- Wybierz **Digital & Analogue** (Cyfrowy & Analogowy), **Digital** (Cyfrowy) lub **Analogue** (Analogowy), następnie naciśnij **OK/>**, aby uruchomić automatyczny proces strojenia, który obejmie wszystkie kanały cyfrowe DVB-T i/lub analogowe.
 - Wybierz **Cable** (Telewizja kablowa).
 - Naciśnij **^/v**, aby wybrać **Channel Install** (Ustawianie kanałów) i naciśnij **OK/>**, aby zatwierdzić.
 - Wybierz **Automatic Search** (Wyszukiwanie automatyczne), naciśnij **OK/>**, aby wyświetlić opcję **Automatic Search** (Wyszukiwanie automatyczne).
 - Nacisnąć **OK**, by ominąć wybór kraju i przejść do następnego kroku. Albo użyć **</>** dla powtórnego wyboru kraju i nacisnąć **OK**, by zatwierdzić.
 - Wybierz **Digital & Analogue** (Cyfrowy & Analogowy), następnie naciśnij **OK/>**, aby przejść do następnego kroku. Wybrać tryb wyszukiwania, jeśli dostępny i skonfigurować właściwe dane kabla, tak samo jak w ustawieniach. Naciśnij **Scan** (Szukaj), następnie naciśnij **OK/>**, aby uruchomić automatyczne wyszukiwanie wszystkich kanałów cyfrowych DVB-C i analogowych.
 - Wybrać **Digital** (Cyfrowy), a następnie postępować podobnie jak powyżej, by rozpocząć automatyczne wyszukiwanie odnoszące się do wszystkich kanałów cyfrowych DVB-C.
 - Wybrać **Analogue** (Analogowy), następnie naciśnij **OK/>**, aby uruchomić automatyczny proces strojenia, który obejmie wszystkie kanały analogowe.
 - Wybrać **Satellite** (Satelita).

Uwaga: Ta opcja może być niedostępna dla niektórych typów.

- Nacisnąć **^/v**, by wybrać **Satellite Setup** (Dostrojenie do sat), i nacisnąć **OK/>**, by wejść.
- Nacisnąć **^/v**, by wybrać właściwego satelitę lub dodać nowe satelity, jeśli konieczne, następnie nacisnąć **OK**, by przejść do konfiguracji właściwej

informacji odnoszącej się do satelity i anteny.

- Wybrać **SETUP > Channel Install > Automatic Search** (Konfiguruj > Ustawianie kanałów > Wyszukiwanie automatyczne), następnie nacisnąć **OK/>**, by wejść.
 - Select **Country** (Kraj) i użyć **</>**, by powtórnie wybrać pożądaną kraj, jeśli to potrzebne.
 - Wybrać **Satellite Tuning** (Dostrojenie do satelity), nacisnąć **OK/>**, by wyświetlić **SATELLITE TUNING** (Dostrojenie do satelity). Skonfigurować właściwą informację. Wybrać **Scan** (Szukaj) i nacisnąć **OK/>**, by rozpocząć początkowe ustawienia odnoszące się do wszystkich kanałów satelity.

Uwaga: Ta opcja może być niedostępna dla niektórych typów.

4. Wyszukiwanie może zająć kilka minut. Można nacisnąć przycisk **EXIT**, aby przerwać trwający proces.
5. Po zakończeniu wyszukiwania automatycznego naciśnij przycisk **BACK**, aby wrócić do poprzedniego kroku, lub przycisk **OK**, aby ponownie rozpocząć wyszukiwanie kanałów.
6. Po zakończeniu wyszukiwania automatycznego kanały są rozmieszczone w ustalonej kolejności. Można pominąć kanały, zmienić kolejność ustawionych kanałów lub zmienić nazwy kanałów.

Używanie telewizora

Przechodzenie do kanałów

Przy użyciu przycisków z numerami: naciśnij przycisk z numerem kanału, do którego chcesz przejść.

Przy użyciu przycisków CH+/- lub CH^/v: przechodzenie do następnego/ poprzedniego kanału.

Oglądanie obrazu z podłączonych urządzeń

Naciskać kolejno przycisk na pilocie **SOURCE** lub **OK** w telewizorze, by przełączyć telewizję i inne źródła wejścia. Aby znów oglądać telewizję, naciśnij dowolny przycisk z numerem, aby przełączyć na ten kanał. Przyciski **CH+/-** umożliwiają przechodzenie między wszystkimi kanałami telewizyjnymi innymi źródłami sygnału.

Uwaga: Nie wszystkie typy mają przycisk OK w zestawie.

Głośność

Regulacja głośności: za pomocą przycisków **VOL</>** znajdujących się na odbiorniku lub przycisków **VOL+/-** na pilocie można zwiększać lub zmniejszać głośność.

Wyciszenie dźwięku: Naciśnij przycisk **MUTE**, aby czasowo wyciszyć dźwięk. Aby przywrócić dźwięk, naciśnij ten przycisk ponownie lub naciśnij przycisk **VOL+**.

Używanie menu TV

1. Naciśnij przycisk **MENU**, aby wyświetlić menu główne. (Patrz rysunek 3.)
2. Przyciskami **▲/▼/◀/▶** wybierz żądaną pozycję, a następnie naciśnij przycisk **OK**, aby otworzyć odpowiednie podmenu.
3. W podmenu przyciskami **▲/▼** można wybierać opcje menu, a przyciskami **◀/▶** wybierać funkcje i zmieniać ustawienia. Za pomocą przycisku **OK** można potwierdzić ustawienie. Przycisk **OK/▶** umożliwiają otwarcie odpowiedniego podmenu.
4. Naciśnij przycisk **BACK**, aby wrócić do poprzedniego menu.
5. Naciśnij przycisk **EXIT**, aby zamknąć menu.

Uwaga: Niektóre opcje mogą być dla niektórych źródeł sygnału niedostępne.

Wybierz menu języka

Język preferowany menu można wybrać wg poniższych wskazówek.

1. Naciśnij przycisk **MENU**, aby wyświetlić menu główne.
2. Naciśnij przycisk **▲/▼/◀/▶**, aby wybrać opcję **SETUP** (Konfiguruj), a następnie naciśnij przycisk **OK**, aby użyć opcji.
3. Wybierz opcję **Language** (Język) i naciśnij przycisk **OK/▶**.
4. Wybierz opcję **Menu Language** (Język menu) i przyciskami **◀/▶** wybierz żądany język wyświetlania menu.
5. Naciśnij przycisk **EXIT**, aby zamknąć menu.

Pełne wykorzystanie możliwości telewizora

Ustawianie ulubionych kanałów

Możesz utworzyć listę swoich ulubionych kanałów TV.

1. Naciśnij przycisk **CH.LIST**.

2. Naciśnij żółty przycisk, aby przejść do opcji **CHANNEL LIST SELECTION** (Wybór listy ulubionych). Naciśnij przycisk **▲/▼**, by wybrać listę ulubionych a następnie naciśnij przycisk **OK**, by wejść.
3. Naciśnij niebieski przycisk, aby rozpocząć edycję listy ulubionych. Za pomocą przycisków **▲/▼** przewiń listę kanałów i naciśnij przycisk **OK**, aby wybrać lub usunąć wybór kanału.
4. Powtórz procedurę, aby skonfigurować pozostałe ulubione kanały.
5. Naciśnij przycisk **CH.LIST/EXIT**, aby zakończyć edycję.

Energooszczędność

1. Naciśnij na pilocie **MENU** i wybierz **PICTURE > ECO Settings > Energy Saving** (OBRAZ > Ustawienia ECO > Energooszczędność).
 2. Naciśnij **◀/▶** by wybrać tryb oszczędzania energii dla uzyskania pożądanego skutku.
 3. Naciśnij **EXIT**, by zamknąć menu.
- Skrócona operacja:** Naciśnij na pilocie **ECO**, aby bezpośrednio wybrać tryb oszczędzania energii.

Funkcja PAP

Umożliwia wyświetlanie obrazu z różnych źródeł sygnału obok siebie. Jedno okno jest przeznaczone dla źródeł sygnału analogowej i cyfrowej telewizji, natomiast drugie jest przeznaczone dla źródeł sygnału VGA, HDMI i CMP. (*Uwaga: Niedostępne dla AV-Scart w obydwu oknach.*)

1. Naciśnij przycisk **MENU**, aby wyświetlić menu główne.
2. Wybierz opcję **PAP** i naciśnij przycisk **OK**, aby użyć opcji.
3. Wybierz opcję **PAP** i przyciskami **◀/▶** włącz lub wyłącz funkcję PAP.
4. Wybierz opcję **TV Position** (Pozycja okna TV) i przyciskami **◀/▶** zmień pozycję okna telewizji.
5. Przyciskami **◀/▶** przełącz aktywne okno.
6. Przy ustawieniu na okno TV, przyciski cyfrowe i **CH+/-** działają dla trybu TV. Przy ustawieniu na drugie okno przełącznik **CH+/-** przełącza dostępne inne źródła.

Używanie napisów

Dla każdego kanału telewizyjnego można włączyć napisy. Napisy są wysyłane poprzez teletekst lub nadawane cyfrowo przez stację DVB-T/DVB-C. Przy nadawaniu cyfrowym istnieje dodatkowa opcja ustawienia preferowanego języka napisów.

Włączanie i wyłączanie napisów

1. Naciśnij przycisk **MENU** na pilocie i wybierz opcję **OPTIONS > Subtitle** (Opcje > Napisy).
2. Naciśnij **OK/>**, aby przejść do ustawień funkcji. (Patrz rysunek 4.)
3. Wybierz opcję **Subtitle** (Napisy) i przyciskami **</>** wybierz opcję **On/Off** (Włącz/Wyłącz), aby włączyć lub wyłączyć napisy.

Włączanie języka napisów dla cyfrowych kanałów telewizyjnych

1. Naciśnij przycisk **MENU** na pilocie i wybierz opcję **OPTIONS > Subtitle > Digital Subtitle Language** (Opcje > Napisy > Język napisów transmisji cyfrowych).
2. Przyciskami **</>** wybierz preferowany język napisów.
3. Przyciskami **▲/▼** wybierz opcję **Digital Subtitle Language 2nd** (Drugi język napisów cyfrowych).
4. Przyciskami **</>** wybierz dodatkowy język napisów.
5. Naciśnij przycisk **EXIT**, aby zamknąć menu.

Obsługa skrócona: Naciśnij przycisk **SUBT** na pilocie, aby bezpośrednio wybrać dostępny język napisów dla wybranego cyfrowego programu telewizyjnego.

Wybieranie typu napisów dla cyfrowych kanałów telewizyjnych

1. Naciśnij przycisk **MENU** na pilocie i wybierz opcję **OPTIONS > Subtitle > Subtitle Type** (Opcje > Napisy > Typ napisów).
2. Nacisnąć **</>** by wybrać typ napisów. Można wybrać **Hearing Impaired** (Niesłyszący), by wyświetlić napisy dla niesłyszących wraz z wybranym językiem.

Wybieranie języka dekodowania strony w telegazecie

Naciśnij przycisk **MENU** na pilocie i wybierz opcję **OPTIONS > Teletext> Decoding**

Page Language (Opcje > Teletekst > Język dekodowanych napisów). Wybierz odpowiedni język wyświetlania teletekstu.

Język Teletekstu cyfrowego

Kanały telewizyjne nadawane w systemie cyfrowym umożliwiają przejście do wybranej usługi dostępnej za pośrednictwem stron teletekstu w różnych językach. Ta funkcja pozwala wybrać jeden z dostępnych języków jako podstawowy w odniesieniu do różnych początkowych stron teletekstu.

Naciśnij przycisk **MENU** na pilocie i wybierz opcje **OPTIONS > Teletext > Digital Teletext Language** (Opcje > Teletekst > Język teletekstu cyfrowego). Naciśnij klawisze **</>**, aby wybrać opcję.

Typ SPDIF

Podłącz odbiornik do urządzenia audio przy użyciu przyłącza **SPDIF**. Naciśnij przycisk **MENU** na pilocie i wybierz opcję **OPTIONS > SPDIF Type** (Opcje > Typ SPFI). Wybierz odpowiedni typ dźwięku z listy dla programów cyfrowych.

- Jeśli bieżący program emituje dźwięk w formacie **Dolby D**, to można wybrać opcję **PCM** lub **Dolby D**.
- Jeśli bieżący program nie emituje dźwięku w formacie **Dolby D**, to można wybrać tylko opcję **PCM**. W przeciwnym razie dźwięk nie będzie odtwarzany.
- Wybierz opcję **Off** (Wyłącz), aby wyłączyć dźwięk wyjściowy z urządzenia audio podłączonego do złącza **SPDIF**.

Uwagi: Opcje wyboru zależą od oglądanego kanału. Przy wyborze **PCM** i wyjścia dźwięku przed obrazem, można wybrać **SPDIF Delay** (Opóźnienie SPDIF) z menu **OPTIONS** (Opcje) i nacisnąć **</>** dla korekcji czasu opóźnienia synchronizacji obrazu i dźwięku.

T-Link

Umożliwia wyszukiwanie urządzeń CEC podłączonych do przyłączy HDMI na telewizorze, a także włączenie funkcji odtwarzania i trybu gotowości jednym przyciskiem dla urządzeń CEC.

Włączanie i wyłączanie funkcji T-Link

1. Naciśnij przycisk **MENU** na pilocie i wybierz opcję **OPTIONS > T-Link** (Opcje > T-Link).
2. Przyciskami **</>** wybierz opcję **On** (Włącz) lub **Off** (Wyłącz).

Używanie funkcji one-touch play (włączania odtwarzania jednym przyciskiem)

Funkcja one-touch play umożliwia włączanie odtwarzania jednym przyciskiem - na przykład na pilocie DVD. Jego naciśnięcie powoduje włączenie odtwarzania DVD i automatyczne przełączenie telewizora na odpowiednie źródło sygnału oraz wyświetlenie sygnału z odtwarzacza DVD na telewizorze.

Używanie trybu gotowości

Stan czuwania systemu umożliwia naciśnięcie przycisku Φ , np. na pilocie telewizora. Powoduje to przejście telewizora i wszystkich podłączonych urządzeń do trybu czuwania.

Aktualizacja sieci

Naciśnij przycisk **MENU** w pilocie, następnie naciśnij **OPTIONS > Network Update** (Opcje > Aktualizacja sieci). Wybrać **On/Off** (Włącz/Wyłącz), by włączyć lub wyłączyć funkcję aktualizacji sieci.

- Gdy ta funkcja jest włączona, telewizor automatycznie zaktualizuje kanały, jeśli dostawca usług DTV aktualizuje kanały swojej sieci DTV.
- Gdy ta funkcja jest wyłączona, to trzeba wykonać ponowne wyszukiwanie kanałów lub wyłączyć niedostępne kanały jeśli dostawca usług DTV dodaje lub usuwa kanały swojej sieci DTV.

Moduł CI

Zaszyfrowane cyfrowe kanały telewizyjne można dekodować przy użyciu modułu CI (Common Interface) i karty dostarczonej przez operatora telewizji cyfrowej. Moduł CI może udostępniać wiele usług cyfrowych w zależności od operatora i wybranych usług (na przykład płatna telewizja). Więcej informacji na temat usług i warunków ich świadczenia można uzyskać u operatora telewizji cyfrowej.

Użycie modułu CI

OSTRZEŻENIE: Przed włożeniem modułu CI należy wyłączyć telewizor. Konieczne jest stosowanie się do podanych poniżej instrukcji. Nieprawidłowe włożenie modułu CI może uszkodzić zarówno moduł CI, jak i telewizor.

1. Przestrzegając wskazówek zamieszczonych na module CI, delikatnie

włóż moduł CI do portu interfejsu w telewizorze.

2. Włóż moduł do końca portu.
3. Włącz telewizor i zaczekaj na aktywację modułu CI. Może to potrwać kilka minut.

Uwagi: Nie wyjmuj modułu CI z portu.

Wyjęcie modułu spowoduje wyłączenie usług cyfrowych.

Używanie usług modułu CI

Po włożeniu i aktywacji modułu CI naciśnij przycisk **MENU** na pilocie i wybierz opcję **OPTIONS > Common Interface** (Opcje > Wspólny interfejs).

Ta opcja menu jest dostępna, tylko jeśli moduł CI jest prawidłowo włożony i aktywowany. Treści i aplikacje wyświetlane na ekranie są dostarczane przez operatora telewizji cyfrowej.

Aktualizacja oprogramowania

Naciśnij przycisk **MENU** na pilocie i wybierz opcję **OPTIONS > Software Update** (Opcje > Aktualizacja oprogramowania). Naciśnij **OK/**>, aby przejść do ustawień funkcji.

- **Current Version** (Bieżąca wersja): Sprawdza aktualną wersję oprogramowania.
 - **Product Name** (Nazwa produktu): Wyświetla nazwę produktu posiadanego zestawu.
 - **Serial Number** (Numer seryjny) (jeśli jest): Wyświetla numer seryjny posiadanego zestawu.
 - **By Network** (Przez sieć): Umożliwia załadowanie i zainstalowanie najnowszej wersji oprogramowania poprzez Internet. Proszę pamiętać o uprzednim ustawieniu przewodowego lub bezprzewodowego połączenia sieciowego, następnie wybrać **By Network** (Przez sieć) i naciśnąć **OK/**>, by wejść. Kontynuować wg wskazówek na ekranie.
- Uwaga: Przed rozpoczęciem aktualizacji oprogramowania, podłączyć urządzenie USB do telewizora.*
- **By Channel** (Według kanału): Opcja ta pozwala zainstalować nową wersję oprogramowania, jeśli jest dostępna. Wybierz **By Channel** (Według kanału) i by przejść naciśnij **OK/**>.
 - Użyj **</**>, by wybrać **Yes** (Tak) w **Auto Download** (Ładowanie automatyczne), by automatycznie

załadować oprogramowanie, jeśli dostępne. Po pomyślnym załadowaniu oprogramowania, nastąpi zapytanie czy je natychmiast zainstalować. Jeśli tak, to proszę postępować wg wskazówek na ekranie aż do ukończenia instalacji. Można też wybrać zaniechanie instalacji.

- Wybrać **No (Nie)** w **Auto Download** (Ładowanie automatyczne), by zrezygnować z załadowania automatycznego.
- Wybrać **Manual Download** (Pobierz ręcznie) i nacisnąć **OK/➤**, by rozpocząć ręczne wyszukiwanie ostatniego oprogramowania. Proszę postępować wg wskazówek na ekranie aż do ukończenia instalacji. Podczas wyszukiwania naciśnij przycisk **OK/EXIT**, aby anulować lub zakończyć procedurę.

Przejdźcie do trybu Sklep lub Dom

1. Naciśnij przycisk **MENU** na pilocie i wybierz opcje **OPTIONS > Location** (Opcje > Lokalizacja).
2. Za pomocą przycisków **</>** wybierz lokalizację **Shop** (Sklep) lub **Home** (Dom).
3. Naciśnij przycisk **EXIT**, aby wyjść z menu.

*Uwaga: Zgodnie z przepisami Komisji Europejskiej 2009/125/EC, dla użytku domowego, telewizor przestawi się w tryb gotowości automatycznie, jeśli nie będzie w żadnych operacji użytkownika w czasie 4 godzin. Ta właściwość może być wyłączona w menu **OPTIONS** (Opcje).*

Funkcja MHEG

Niektórzy nadawcy telewizji cyfrowej (np. BBC1) oferują specjalne usługi tekstowe lub interaktywne. Działają one jak normalny teletekst z dodatkiem obsługi przycisków cyfrowych, kolorowych i nawigacyjnych.

1. Naciśnij przycisk **MENU** na pilocie i wybierz opcje **OPTIONS > Subtitle > Subtitle** (Opcje > Napisy > Napisy).
2. Za pomocą przycisków **</>** ustaw pozycję **Subtitle** (Napisy) na **Off** (Wyłączone).

*Uwagi: Funkcja MHEG i napisy wzajemnie się wykluczają i nie mogą być wyświetlane jednocześnie na ekranie. Jeżeli opcja **Subtitle** (Napisy) jest ustawiona na **On** (Włącz) obiekty MHEG nie będą wyświetlane.*

3. W pilocie nacisnąć przycisk czerwony lub **TEXT**.
4. Za pomocą przycisków **^/√/</>** wybierz lub wyróżnij pozycję.
5. Naciśnij przycisk **OK**, aby zatwierdzić lub aktywować daną pozycję.
6. Wybierz jeden z kolorowych przycisków, aby wybrać opcję.
7. Naciśnij przycisk **TEXT** lub **EXIT**, aby wyjść z menu.

Wyświetlanie obrazów, słuchanie muzyki i oglądanie plików wideo z urządzenia pamięci masowej USB

Telewizor jest wyposażony w złącze USB, które umożliwia wyświetlanie obrazów, słuchanie muzyki lub oglądanie plików wideo zapisanych w urządzeniu pamięci masowej USB.

Obsługiwane formaty plików:

Zdjęcia JPEG

Muzyka MP3

Wideo AVI, MP4, MPG, MPEG, TS, DIVX, MKV...

Uwagi: Niektóre klucze USB i urządzenia USB, takie jak aparaty cyfrowe lub telefony komórkowe, nie są w pełni zgodne ze standardem USB 2.0, stąd mogą nie współpracować z odtwarzaczem multimedialnym TV. Nie wszystkie klucze lub urządzenia USB są zgodne z funkcją USB. Nie wszystkie powyższe formaty są obsługiwane. Formaty kodowania waszych plików mają decydujący wpływ na możliwość ich użycia.

Gdy podłączone jest urządzenie USB, wybrać **MEDIA** (MEDIA) w menu głównym i nacisnąć **OK**, by wejść.

Zdjęcia

Aby wyświetlić obrazy, jeśli są dostępne.

1. Wybrać **MEDIA > PHOTO** (MEDIA > Zdjęcia), następnie nacisnąć **OK**, by przejść do przeglądania zawartości głównego folderu plików.
2. W przeglądarce zawartości, używać **^/√/</>**, by wybrać zdjęcia lub wewnętrzny folder plików.
3. Wybierz wewnętrzny folder plików i naciśnij przycisk **OK**, aby przejść do przeglądarki zawartości pliku z napisami.
4. Użyć **^/√/</>**, by wybrać zdjęcia w przeglądarce folderu głównego lub podfolderu, nacisnąć **MENU**, by wyświetlić menu zdjęć w trybie folderu.

- **Sort** (Sortuj): Sortuje foldery i zdjęcia wg daty modyfikacji lub nazwy.
 - **Edit** (Edycja): Kopiowanie, wklejanie lub usuwanie wybranego zdjęcia.
 - **Parser** (Parser): Można wybrać **Recursive** (Rekursyjne), by wyświetlić zdjęcia ze wszystkich podfolderów.
5. Wybrać foto, by zobaczyć nacisnąć **OK**, i rozpocznie się pokaz slajdów od wybranego foto. Nacisnąć **▶**, by wstrzymać zdjęcia jeśli chce się obrócić albo powiększyć zatrzymane zdjęcie. Nacisnąć **MENU**, by wyświetlić menu foto w trybie przeglądania. Zdjęcia można otwierać, wstrzymać lub obracać, wybrać ich inny tryb odtwarzania i efekty wyświetlania itd..
 6. Naciskać odpowiednie przyciski pilota dla wykonania dostępnych funkcji pokazanych w pasku funkcji u dołu ekranu TV.

Muzyka

Aby odtwarzać muzykę, jeśli jest dostępna:

1. Wybierz opcję **MEDIA > MUSIC** (MEDIA > Muzyka), a następnie naciśnij przycisk **OK**, aby przejść do przeglądarki zawartości plików w folderze głównym.
2. Użyć **^/√/</>**, by wybrać utwór w przeglądarce folderu głównego lub podfolderu, nacisnąć **MENU**, by wyświetlić menu utworów w trybie folderu.
 - **Sort** (Sortuj): Sortuje foldery i utwory wg nazwy, rodzaju, artysty lub albumu.
 - **Edit** (Edycja): Kopiowanie, wklejanie lub usuwanie wybranego utworu.
 - **Parser** (Parser): Można wybrać **Recursive** (Rekursyjne), by wyświetlić utwory ze wszystkich podfolderów.
3. Wybierz utwór i naciśnij przycisk **OK**, aby odtworzyć. Automatyczne odtwarzanie rozpocznie się od wybranego utworu. Nacisnąć **MENU**, by wyświetlić menu muzyki w trybie przeglądania. Można utwór odtwarzać lub zatrzymać, wybrać inny tryb odtwarzania, itd..
 - **Show Lyrics** (Teksty piosenek): Ta opcja jest dostępna dla piosenek z tekstami. Do włączenia/wyłączenia

synchronizowania obrazów z tekstem stosować przyciski **</>**.

- **Audio Only** (Tylko dźwięk): Wybrać i nacisnąć **OK**, dla słuchania muzyki przy wyłączonym ekranie. Wciśnięcie dowolnego klawisza przywróci wyświetlanie ekranu.
4. Naciskać odpowiednie przyciski pilota dla wykonania dostępnych funkcji pokazanych w pasku funkcji u dołu ekranu TV.

Wideo

Aby odtwarzać pliki wideo, jeśli są dostępne.

1. Wybierz opcję **MEDIA > VIDEO** (MEDIA > Wideo), a następnie naciśnij przycisk **OK**, aby przejść do przeglądarki zawartości plików w folderze głównym.
2. Użyć **^/√/</>**, by wybrać wideo w przeglądarce folderu głównego lub podfolderu, w ten sam sposób jak przy wyświetlaniu zdjęć, nacisnąć **MENU**, by wyświetlić menu wideo w trybie folderu.
 - **Sort** (Sortuj): Sortuje foldery i wideo wg typu, daty modyfikacji lub nazwy.
 - **Edit** (Edycja): Kopiowanie, wklejanie lub usuwanie wybranego wideo.
 - **Parser** (Parser): Można wybrać **Recursive** (Rekursyjne), by wyświetlić wideo ze wszystkich podfolderów.
3. Wybierz plik wideo i naciśnij przycisk **OK**, aby odtworzyć. Automatyczne odtwarzanie rozpocznie się od wybranego pliku wideo. Nacisnąć **MENU**, by wyświetlić menu wideo w trybie przeglądania. Można wideo odtwarzać lub zatrzymać, wybrać inny tryb odtwarzania, tryb ekranu, ustawienia obrazu, itd..
4. Naciskać odpowiednie przyciski pilota dla wykonania dostępnych funkcji pokazanych w pasku funkcji u dołu ekranu TV.

Wideo DivX

(* niedostępne w niektórych typach)

O WIDEO DIVX: DivX® jest formatem cyfrowego wideo stworzonym przez DivX, LLC, firmę grupy Rovi Corporation. Jest to oficjalnie certyfikowane urządzenie (DivX Certified®) odtwarzające wideo DivX. Odwiedź stronę divx.com, by uzyskać więcej informacji i pobrać narzędzia programowe dla konwersji plików do postaci wideo DivX.

O WIDEO DIVX NA ŻĄDANIE DIVX (VIDEO-ON-DEMAND): To urządzenie DivX Certified® (certyfikowane), w celu odtwarzania nabytych filmów DivX Video-on-Demand (VOD) (video na żądanie) musi być zarejestrowane.

Pobranie kodu rejestracji:

- Naciśnij przycisk **MENU** na pilocie.
- Wybrać **OPTIONS > DivX(R) Registration** (Opcje > Rejestracja DivX(R)).
- Nacisnąć **OK/>** a wyświetlony zostanie kod rejestracji.

Proszę przejść do vod.divx.com dla uzyskania dalszych informacji, jak ukończyć rejestrację.

Wyrejestrowanie telewizora:

Dla wyrejestrowania telewizora należy nacisnąć,

- Naciśnij przycisk **MENU** na pilocie.
- Wybrać **OPTIONS > DivX(R) Deregistration** (Opcje > Wyrejestrowanie DivX(R)).
- Nacisnąć **OK/>** dla uzyskania dalszych wskazówek.

DivX®, DivX Certified® i logo stowarzyszone są znakami firmowymi Rovi Corporation lub jej oddziałów i ich użycie objęte jest licencją.

Ustawianie godziny

Odbiornik może wykrywać godzinę z kanałów cyfrowych po wykonaniu poniższej procedury:

1. Naciśnij przycisk **MENU** na pilocie i wybierz opcję **OPTIONS > Timer > Clock > Auto Synchronization** (Opcje > Czasomierz > Zegar > Automatyczna synchronizacja).
2. Przyciskami **</>** wybierz opcję **On** (Włącz).

Przypisywanie dekodera kanałów

Dekodery dekodują kanały analogowe, których sygnał można przyłączyć do złącza AV. Konieczne jest wybranie kanałów telewizyjnych, które mają być dekodowane. Następnie należy wskazać przyłącznie, do którego podłączony jest dekodery.

1. Naciśnij przycisk **MENU** na pilocie i wybierz opcję **SETUP > Decode** (Konfiguruj > Dekodowanie).

2. Naciśnij przycisk **OK/>**, aby przejść do listy.
3. Przyciskami **^/v** wybierz kanał do dekodowania.
4. Naciskając przycisk **OK** można zaznaczać i odznaczać kanały.
5. Naciśnij przycisk **BACK**, aby wrócić do poprzedniego menu.

Diagnostyka kanałów telewizji cyfrowej

1. Naciśnij przycisk **MENU** na pilocie i wybierz opcję **SETUP > Diagnostics** (Konfiguruj > Diagnostyka).
2. Naciśnij przycisk **OK/>**, aby wyświetlić część informacji o bieżącym kanale cyfrowym, np. siłę i częstotliwość sygnału.

Przesunięcie czasu

Pozwala w programie na pauzę, przewijanie wstecz i do przodu. Przy pierwszym użyciu tej funkcji upewnić się, że podłączony jest wtyk z pamięcią USB.

Uwaga: Z uwagi na specyficzne wymagania lokalne, funkcja PVR nie jest dostępna w Finlandii.

1. Nacisnąć na pilocie **MENU** i wybrać **SETUP > Time Shift** (Konfiguruj > Przesunięcie czasu).
2. Nacisnąć **</>**, by wybrać **On** (Włącz), przełączenie na funkcję przesunięcia czasu, następnie nacisnąć **EXIT**, by menu zamknąć.
3. Nacisnąć **OPTION** na pilocie i wybrać **Time Shift** (Przesunięcie czasu), następnie nacisnąć **OK**, by potwierdzić.
4. W celu wykonania ustawień postępować wg wskazówek na ekranie.
5. Po wykonaniu konfiguracji dysku, nacisnąć **OPTION** i wybrać **Time Shift** (Przesunięcie czasu).
6. Nacisnąć **OK**, by wyświetlić menu przesunięcia czasu.
 - Nacisnąć przycisk **||**, by wstrzymać obraz i rozpocząć przesunięcie czasu.
 - Nacisnąć **||** przycisk, by odtwarzać nagraną część.
 - Gdy zniknie menu przesunięcia czasu i na ekranie widać tylko czas przesunięcia, użytkownik może nacisnąć przycisk **||** lub **OK**, by wywołać menu przesunięcia czasu.
 - Nacisnąć przycisk **⏮** dla szybkiego przewinięcia wstecz, lub **⏭** dla szybkiego przewinięcia w przód.

- Naciśnąć przycisk **■**, by opuścić funkcję przesunięcia czasu.

Uwagi:

- *Przed wetknięciem urządzenia USB do telewizora, upewnić się, że dane urządzenia zostały zabezpieczone, by uniknąć ich utraty na skutek niezwykłego działania.*
- *Zalecamy użycie urządzenia USB z wolnym miejscem na plik większym niż 1GB i prędkością dysku szybszą niż 5,0 MB/sek.*
- *Im większy jest rozmiar pliku na przesunięcie czasu, tym dłuższy program można zapisać.*
- *Przy zmianie kanału w trakcie przesunięcia czasu pojawi się komunikat pozwalający użytkownikowi zdecydować **Yes** (Tak) lub **No** (Nie). Możesz wybrać **Yes** (Tak), by opuścić funkcję przesunięcia czasu i wykonać zmianę kanału.*

Zreset. sklep

Umożliwia przywrócenie ustawień fabrycznych telewizora.

1. Naciśnij przycisk **MENU** na pilocie i wybierz opcję **SETUP** (Konfiguruj), a następnie naciśnij przycisk **OK**, aby zatwierdzić ustawienie.
2. Wybierz opcję **Reset Shop** (Zreset. sklep) i naciśnij przycisk **OK/➤**, aby przejść do ustawień funkcji.
3. Dla wprowadzenia hasła stosować przyciski cyfr.
4. Za pomocą przycisków **</>** wybierz opcję **OK** i naciśnij przycisk **OK**, aby zatwierdzić ustawienie.
5. Zastanie wyświetlone menu **Initial Setup** (Ustawienia). Postępuj zgodnie z instrukcjami.

Etykiety źródeł sygnału

Pozwala na skonfigurowanie posiadanego telewizora dla zewnętrznych urządzeń wejścia, takich jak set-top box, odtwarzacz Blu-Ray, komputer lub konsola gier.

1. Naciśnij przycisk **MENU** na pilocie i wybierz opcję **SETUP > Input Settings** (Konfiguruj > Ustawienia wejścia).
2. Naciśnij przycisk **OK/➤**, aby przejść do opcji **Input Settings** (Ustawienia wejścia).
3. Naciśnąć **↖↘**, by wybrać port do którego podłączone jest urządzenie wejścia.
4. Naciśnąć **</>**, by wybrać typ urządzenia. Naciśnąć **</>**, by przypisać urządzeniu nazwę.

5. Naciśnij przycisk **BACK**, aby wrócić do menu **SETUP** (Konfiguruj).

Po skonfigurowaniu, wybrana etykieta źródła będzie wyświetlana z nazwą odpowiedniego złącza na liście źródeł, po naciśnięciu na pilocie **SOURCE** lub **OK** w telewizorze.

Używanie elektronicznego przewodnika po programach

Elektroniczny przewodnik po programach (EPG) to wyświetlany na ekranie przewodnik z opisami programów telewizyjnych. Można przechodzić między programami, wybierać je i oglądać.

1. Naciśnąć na pilocie **GUIDE**, ukaże się menu **Now and Next EPG** (Akt. i nast. - EPG), pozwala ono na uzyskanie informacji o programie bieżącym lub następnym, ukazujących się w każdym kanale. Przełączanie różnych kanałów możliwe jest za pomocą przycisków poruszania się na pilocie.
2. Użyj kolorowych przycisków, aby wyświetlić **8 Days EPG** (Przewodnik EPG na 8 dni).
 - **Prev Day** (Poprzedni dzień) (czerwony): wyświetlanie przewodnika EPG dla poprzedniego dnia.
 - **Next Day** (Następny dzień) (zielony): wyświetlanie przewodnika EPG dla następnego dnia.
 - **View Detail** (Wyświetl szczegóły) (żółty): O ile jest dostępny, wyświetlany jest opis programu.
 - **Type Filter** (Filtr typu) (niebieski): filtr przewodnika dla cyfrowych programów telewizyjnych.
 - Naciśnąć niebieski przycisk, by wyświetlić typy programów.
 - Do przechodzenia między różnymi typami i typami podrzędnymi służą przyciski nawigacyjne na pilocie.
 - Wybierz jeden lub więcej typów, które chcesz wyróżnić na liście Typ, a następnie naciśnij przycisk **OK** aby zaznaczyć lub odznaczyć. Po lewej stronie wybranego typu wyświetlany jest znacznik wyboru. Wybranie typu powoduje także wybranie wszystkich jego typów podrzędnych.
 - Można także wybrać żądane typy podrzędne bez wcześniejszego wybierania typu.

- Nacisnąć niebieski przycisk, by opuścić listę kanałów.
 - Po włączeniu filtra zostaną wyróżnione żądane cyfrowe programy telewizyjne.
 - **Add Schedule** (Dodaj Terminarz) (Opcja): Nacisnąć przycisk pilota **OPTION**, by wywołać menu **Schedule List** (Terminarza). Szczegóły zapisu wg rozkładu, znajdują się w sekcji **Terminarz**.
3. Naciśnij przycisk **GUIDE/EXIT**, aby wyjść z przewodnika EPG i przełączyć na wybrany kanał.

PVR (Personal Video Recorder) (Osobisty rejestrator wideo)

Niniejsza opcja umożliwia nagrywanie ulubionych programów telewizyjnych. Przed skorzystaniem z funkcji należy podłączyć urządzenie pamięci masowej USB do odbiornika.

Uwaga: Z uwagi na specyficzne wymagania lokalnie funkcja PVR nie jest dostępna w Finlandii.

1. Na pilocie nacisnąć **OPTION** i wybrać **QUICK ACCESS > PVR** (Szybki dostęp > PVR).
2. Nacisnąć **OK/>**, by wejść.

Skrócona operacja: Nacisnąć na pilocie **REC**, by przejść bezpośrednio do menu PVR.

3. Nacisnąć:
 - przycisk **REC**, by rozpocząć nagrywanie, nagrany plik jest umieszczony w folderze PVR w **MEDIA > VIDEO** (MEDIA > VIDEO);
 - przycisk zatrzymania nagrywania ■, jeśli czas nagrania się skończy, to nagrywanie zatrzyma się automatycznie.
 - **^ /v /</>** dla korekty czasu trwania nagrywania.
4. Podczas nagrywania, na ekranie będzie wyświetlany miniaturowy panel PVR, obrazujący postęp nagrywania.
5. Aby obejrzeć zapisany program, należy najpierw wyjść z trybu PVR i przejść do **MEDIA > VIDEO** (MEDIA > Video). Wybrać folder PVR a następnie odpowiedni plik nagrania. Nacisnąć **OK**, by odtwarzać. (Jest to tak samo jak z nagrywaniem cyfrowego programu radiowego).

Uwagi:

- Gdy używana jest karta CI+, funkcja PVR jest nieaktywna.
- Tylko dla kanałów cyfrowych.
- Obsługa wyłącznie pamięci masowych USB sformatowanych w systemie FAT32.
- Przed wetknięciem urządzenia USB do sprzętu, upewnić się, że dane urządzenia zostały zabezpieczone, by uniknąć ich utraty na skutek niezwykłego działania.
- Im większa jest pamięć urządzenia USB dla funkcji PVR, tym dłuższy jest czas nagrywania.
- Jeśli chcesz zmienić kanał lub źródło sygnału zapisywania, to zapisz dane zapisu przed ich zmianą.
- Urządzenie nie będzie w stanie odtworzyć pliku, gdy jego parametry są niezgodne z systemem urządzenia, wybrano niekompatybilny format pliku, plik jest uszkodzony lub nie można go odcodować.
- Nie odłączaj urządzenia pamięci masowej USB podczas odczytywania lub transmisji danych – może to spowodować uszkodzenie systemu lub urządzenia.

Lista audycji

Ta funkcja jest używana dla wykonania zaplanowanych nagrań.

1. Na pilocie nacisnąć **OPTION** i wybrać **QUICK ACCESS > Schedule List** (Szybki dostęp > Terminarz).
2. Nacisnąć **OK**, by wyświetlić **Schedule List** (Terminarz).
3. Aby dodać pozycję do listy audycji, najpierw nacisnąć czerwony przycisk, by wyświetlić **Schedule List** (Terminarz). Następnie,
 - **Channel Number** (Numer kanału): używać **</>**, by wybrać numer kanału.
 - **Start Date** (Data rozpoczęcia): używać dla ustawienia daty zapisu przycisków cyfrowych.
 - **Start Time** (Czas początku): ustawia czas początku.
 - **Stop Time** (Czas zatrzymania): ustawia czas końca nagrania.
 - **Schedule Type** (Typ listy audycji):
 - Ustawić **Reminder** (Uwaga) dla informacji, że można przełączyć na zaplanowany program przed nadejściem ustalonego czasu. Jeśli czas minie i nie wykona się żadnego

działania, okno dialogowe zniknie i nie zostanie wykonane dalsze działanie.

- Ustawić **Record** (Zapis), dla sprawdzenia, czy naprawdę chce się zapisać zaplanowane nagranie gdy nadejdzie ustawiony czas. Jeśli czas minie i nie wykona się żadnego działania, zaplanowane nagranie rozpocznie się automatycznie.
 - **Repeat Type** (Typ powtarzania): ustawia różne typy powtarzania.
4. Naciśnąć **^/√/◀/▶**, by wybrać **Add** (Dodaj), następnie naciśnąć **OK**, by dodać ustawioną pozycję do listy zaplanowanych nagrań.
 5. Naciśnąć czerwony przycisk dla powtórzenia powyższej procedury i dodania innej pozycji.
 6. Jeśli chce się edytować lub usunąć pozycję, to należy ją wybrać i naciśnąć **OK**, by wejść.
 7. Naciśnij przycisk **EXIT**, aby zamknąć menu.

Podłączenie sieci

Telewizor można tak ustawić, że dostęp do Internetu można osiągnąć poprzez swoją sieć lokalną (LAN), stosując połączenie przewodowe lub bezprzewodowe.

Podłączenie do sieci przewodowej

Telewizor można kablem podłączyć do LAN na trzy sposoby:

- Podłączyć telewizor do jego portu LAN poprzez modem zewnętrzny, z zastosowaniem kabla Cat 5.
- Podłączyć telewizor do swojej LAN, łącząc port LAN telewizora z IP Shareer podłączonym do modemu zewnętrznego. Do podłączenia stosować kabel Cat 5.
- Zależnie od skonfigurowania posiadanej sieci, można podłączyć telewizor do LAN, łącząc port LAN telewizora bezpośrednio do gniazdka sieci komputerowej z użyciem kabla Cat 5. Proszę pamiętać, że gniazdko w ścianie ma być podłączone, gdzieś w instalacji domowej, do modemu lub routera.

Wybrać **SETUP > Network > Settings > Interface** (Konfiguruj > Sieć > Ustawienia > Interfejs), następnie wybrać **Ethernet** (Ethernet), by podłączyć się do sieci kablowej.

Podłączenie do sieci bezprzewodowej

Do bezprzewodowego podłączenia telewizora do sieci, potrzebny jest bezprzewodowy router lub modem i bezprzewodowy adapter WIFI, należy je zakupić oddzielnie. Adapter WIFI podłączyć do portu telewizora **USB 1**.

1. Wybrać **SETUP > Network > Settings > Interface** (Konfiguruj > Sieć > Ustawienia > Interfejs), następnie wybrać **Wireless** (Bezprzewodowo), by podłączyć się do sieci bezprzewodowej.
2. Wybrać **Wireless Setting** (Ustawienia bezprzewodowe) i by przejść naciśnąć **OK/▶**.
3. **Metody podłączenia:** Podłączenie sieci bezprzewodowej można ustawić na trzy sposoby.
 - **Scan** (Szukaj)
 - Wybrać **Wireless Setting > Scan** (Ustawienia bezprzewodowe > Szukaj), następnie naciśnąć **OK/▶**, telewizor będzie wyszukiwał wszystkie punkty dostępne w zasięgu. Znalezione przez telewizor punkty dostępu zostaną wyświetlone.
 - Wybrać osiągalny punkt dostępu i naciśnąć **OK/▶**, by podłączyć do niego telewizor.

Uwagi:

- *Przy wyborze zabezpieczonego punktu dostępu należy podać odpowiednie hasło. Naciśnięcie na pilocie **OK**, by wyświetlić klawiaturę wirtualną umożliwiającą wprowadzenie hasła.*
- *Ten telewizor ma funkcję pamięci osiągalnego dostępu, pozwalającą na podłączenie do sieci po ponownym włączeniu telewizora.*
- **Manual** (Ręcznie)

Wybrać **Wireless Setting > Manual** (Ustawienia bezprzewodowe > Ręcznie), następnie naciśnąć **OK/▶**, pojawi się żądanie wprowadzenia prawidłowego SSID dostępnego routera bezprzewodowego dla wykonania ustawień połączenia.
- **Auto** (Automatyczne)

Jeśli posiadany protokół adresowania (AP) obsługuje WPS (Ustawienia zabezpieczone Wi-Fi), to można się podłączyć poprzez podanie PIN (numer identyfikacji osobistej) lub PBC (konfiguracja przyciskiem). WPS

skonfiguruje automatycznie SSID i klucz WPA w każdym trybie.

Wybrać **Wireless Setting > Auto** (Ustawienia bezprzewodowe > Automataczne) i by przejść nacisnąć **OK/>**.

- **PIN (PIN)**: Wybrać **PIN (PIN)** i by przejść nacisnąć **OK/>**. Utwórz losowy kod PIN. Upewnij się, że kod jest wstawiony do AP. (Procedura jest opisana w podręczniku posiadanego routera.) Ponownie nacisnąć **OK/>**, by ustawić połączenie.
- **PBC (PBC)**: Jeśli posiadany router ma przycisk PBC, to wybrać **PBC (PBC)** i by przejść nacisnąć **OK/>**. Nacisnąć przycisk PBC routera a następnie, w trakcie 2 minut, ponownie nacisnąć **OK/>**. Telewizor automatycznie przyjmie wszystkie potrzebne wartości ustawienia sieci i podłączy się do sieci.

Ustawienia sieciowe

1. Nacisnąć **MENU** na pilocie i wybrać **SETUP > Network > Settings > Internet Connection** (Konfiguruj > Sieć > Ustawienia > Połączenie internetowe). Nacisnąć **</>**, by wybrać **On (Włącz)**. Odczekać na automatyczne nawiązanie połączenia.
2. Wybrać **SETUP > Network > Settings > Connection Test** (Konfiguruj > Sieć > Ustawienia > Test połączenia), następnie nacisnąć **OK/>**, by sprawdzić połączenie internetowe. Jeśli nie zadziała, to postępować zgodnie z poniższymi krokami sprawdzenia połączenia.
3. Wybrać **SETUP > Network > Settings > IP Setting** (Konfiguruj > Sieć > Ustawienia > ustawienie IP), następnie nacisnąć **OK/>** by przejść do menu **IP setting** (ustawienie IP).
 - Ustawić **Address Type** (typ adresu) na **Auto (Automatyczne)**, spowoduje to automatyczne uzyskanie i wprowadzenie potrzebnego adresu IP.
 - Można ręcznie wprowadzić posiadany adres IP postępując wg poniższych kroków.
 - Ustawić **Address Type** (typ adresu) na **Manual (Ręcznie)**, następnie

nacisnąć **v**, by przejść do pierwszego pola wprowadzeń.

- Wprowadzić wartości **IP Address** (Adres IP), **Subnet Mask** (Maska Podsięci), **Default Gateway** (Brama Domyślna), **Primary DNS** (Pierwotny DNS) i **Secondary DNS** (Wtórny DNS). Stosować przyciski cyfr do wprowadzania cyfr i przycisk strzałek do przechodzenia z jednej pozycji na drugą.
 - Po ustawieniu, wybrać **SETUP > Network > Settings > Connection Test** (Konfiguruj > Sieć > Ustawienia > Test Połączenia), by sprawdzić ponownie połączenie internetowe.
4. Wybrać **SETUP > Network > Settings > Information** (Konfiguruj > Sieć > Ustawienia > Informacja), następnie nacisnąć **OK/>**, by wyświetlić informację o aktualnym połączeniu, taką jak interfejs, typ adresu, adres IP, itd..

Przeglądanie PC poprzez Podziel się i oglądaj

Jeśli masz pliki fotografii, wideo lub muzyczne, zapamiętane w komputerze podłączonym do sieci domowej, to można je odtwarzać na posiadanym telewizorze.

Podłączenie do PC

Proszę pamiętać o uprzednim ustawieniu połączenia przewodowego lub bezprzewodowego, telewizora z routerem. Podłączyć następnie PC z routerem albo kablem sieciowym albo bezprzewodowo. Upewnić się także, że **SETUP > Network > Settings > Internet Connection** (Konfiguruj > Sieć > Ustawienia > Połączenie Internetowe) jest na **On (Włącz)** i oprogramowanie firmowe komputera nie blokuje połączenia.

Funkcja Podziel się i oglądaj

Wybrać **SETUP > Network > Applications > Share & See** (Konfiguruj > Sieć > Zastosowania > Podziel się i oglądaj), i ustawić na **On (Włącz)**.

Wykonywać kolejno podane kroki.

Dzielenie się mediami z własnego PC

Zainstalowanie serwera medialnego
Podzielić się i oglądaj w posiadanym PC.
Prostym i znanym serwerem możliwym do

zainstalowania jest Microsoft Windows Media Player 11. Udostępnij telewizor dla dzielenia określonych plików z posiadanym PC.

1. Otworzyć Microsoft Windows Media Player 11.
 - Wybrać **Library > Media Sharing** (Biblioteka > Współdziela mediów).
 - Zaznaczyć pole wyboru **Share my media to** (udostępnij moje media).
 - Wybrać ikonę telewizora podłączonego do posiadanego PC.
 - Wybrać **Allow** (Zezwól), by umożliwić telewizorowi dostęp do PC i wybrać **OK**, by wykorzystać zezwolenie.

*Uwaga: Można nacisnąć przycisk **Settings** (Ustawienia), by ustawić własne pożądane ustawienia.*

2.
 - Wybrać **Library > Add to Library** (Biblioteka > Dodać do biblioteki).
 - Wybrać własny folder osobisty lub foldery innych użytkowników do których ma się dostęp.
 - Wybrać **Add** (Dodaj) i nacisnąć **OK**, by umożliwić dodanie.

Aplikacja Podziel się i oglądaj

Wybrać **MEDIA** (MEDIA) w menu głównym i nacisnąć **OK**, by wejść. Można teraz oglądać fotografie, słuchać muzyki lub oglądać wideo, zapisane w posiadanym PC.

Smart TV (Inteligentny telewizor)

Pozwala na korzystanie z aplikacji internetowych (Apps), specjalnie przystosowanych sieci internetowych w posiadanym telewizorze. Apps mogą być sterowane z pilota telewizora.

OSTRZEŻENIE:

- Przed użyciem **Smart TV** (Smart TV) skonfigurować uprzednio ustawienia sieciowe.
- Zależnie od warunków sieciowych, może się zdarzyć spowolniona odpowiedź i/lub przerwy.
- W przypadku problemu z użytkowaniem aplikacji, proszę się skontaktować z jej dostawcą.
- Dostawca zawartości, może dostarczyć aktualizację aplikacji, lub może ona już nie być kontynuowana.
- Zależnie od przepisów twojego kraju, niektóre aplikacje mogą

mieć ograniczone usługi lub być nie obsługiwane.

Dostęp do Smart TV Applications (Apps)

1. Wybrać **SMART TV** (SMART TV) w menu głównym i nacisnąć **OK**, by wejść.

Skrócona operacja: Nacisnąć na pilocie **SMART TV**, by przejść bezpośrednio do wyświetlania strony głównej smart TV.

2. Nacisnąć **^/√/◀/▶**, by wybrać App (Aplikację) a następnie nacisnąć **OK**, by wejść.

HbbTV

Niektórzy nadawcy kanałów cyfrowych oferują interaktywną HbbTV (Hybrid Broadcast Broadband TV). Posługując się HbbTV, nadawcy łączą swój normalny program TV z wszelkiego rodzaju informacją i rozrywką. Można tę informację przeglądać interaktywnie.

Dla pełnego korzystania z HbbTV, trzeba podłączyć posiadany telewizor do internetu. *Uwaga: Nie można za pomocą tej własności ściągać plików do telewizora.*

Dostęp do HbbTV

Przy dostrajaniu się do kanału TV oferującego HbbTV, nacisnąć czerwony przycisk, by otworzyć strony interaktywne. Do poruszania się na stronach HbbTV korzystać z przycisków **^/√/◀/▶** i nacisnąć **OK** dla potwierdzenia wyboru.

Uwagi na temat hasła w funkcji blokady kontroli rodzicielskiej:

- *Hasło domyślne to 1234. Można je zmienić na nowe.*
- *Hasło nadrzędne to 0423. W przypadku zapomnienia kodu należy je wprowadzić, aby zastąpić istniejący kod.*

Rozdzielczość ekranu:

- 1920X1080

SKONTAKTUJ SIĘ Z IKEA

Jeśli masz jakieś pytania dotyczące nowego telewizora UPPELVA lub Systemu Nagłaśniającego lub jeśli potrzebujesz pomocy technicznej lub serwisu, skontaktuj się z Działem Obsługi Klienta IKEA na www.IKEA.pl lub zadzwoń: (22) 334 44 00. Prosimy o dokładne zapoznanie się z instrukcją obsługi przed skontaktowaniem się z IKEA. Aby uzyskać odpowiednią pomoc, sprawdź numer produktu i podaj go podczas rozmowy. Ośmiocyfrowy numer produktu znajduje się na paragonie kasowym i z tyłu telewizora UPPELWA lub Systemu Nagłaśniającego.

Informação importante Segurança

Certifique-se de que a voltagem da sua rede elétrica doméstica corresponde à voltagem indicada no autocolante de identificação situado na parte de trás do aparelho.

Quando se utiliza a tomada principal ou um conector como dispositivo para desligar, este deve estar sempre pronto a ser utilizado.

Nalguns modelos, o indicador luminoso está situado na lateral da televisão. A ausência do indicador luminoso na parte da frente, não significa que o aparelho esteja totalmente desligado da corrente elétrica. Para desligar totalmente a televisão, deve retirar-se a ficha da tomada principal.

Os componentes da televisão são sensíveis ao calor. **A temperatura ambiente máxima** não deve exceder os 35° C. Não cubra a ventilação da parte de trás ou laterais da televisão. Deixe espaço suficiente à volta da televisão para permitir uma ventilação adequada. Instale o aparelho afastado de qualquer fonte de calor (lareira,...) ou de eletrodomésticos que criem fortes campos magnéticos ou elétricos.

A humidade na divisão onde o aparelho é instalado não deve ser superior a 85%.

O aparelho não deve estar exposto a salpicos ou pingos nem a objetos com líquidos, como jarras. A movimentação do aparelho de um sítio frio para outro quente pode causar condensação no ecrã (e nalguns componentes no interior da televisão). Deixe a condensação evaporar antes de voltar a ligar a televisão.



AVISO

Para evitar o risco de um incêndio, mantenha sempre as velas ou outro tipo de produto com chamas afastados do aparelho.

O botão ϕ ou o botão **POWER**/ ϕ da televisão ou o botão ϕ no comando podem ser usados para ligar o aparelho e colocá-lo em standby. **Se não vai usar o aparelho durante um longo período de tempo,**

desligue-o totalmente removendo a ficha da corrente elétrica.

Durante a ocorrência de **trovoada**, recomendamos que desligue a televisão da corrente elétrica e da antena, para que não seja afetada por sobrecargas elétricas ou eletromagnéticas, o que poderia danificá-la. Por esta razão, mantenha as **fichas de corrente elétrica e antena** acessíveis para que possam ser **desligadas**, se necessário.

Desligue de imediato a televisão se notar **cheiro a queimado** ou **fumo**. Não deve, em nenhuma circunstância, abrir o aparelho, já que ao fazê-lo corre o risco de **choque elétrico**.

Ecrã da televisão

O ecrã da televisão usado neste produto é feito de vidro. Por isso, pode partir-se caso o aparelho caia ou sofra algum tipo de impacto de outros objetos.

O ecrã da televisão é um produto de grande tecnologia, oferecendo imagens muito detalhadas. Ocasionalmente podem surgir pixéis inativos como pontos fixos azuis, verdes ou vermelhos. Tal não afeta o funcionamento do produto.

Manutenção

Use um produto para vidros para limpar o ecrã e um pano suave e um detergente neutro para limpar o resto do aparelho.

Importante: O uso de detergentes fortes, que contenham álcool e produtos abrasivos podem danificar o ecrã.

Limpe regularmente o pó da ventilação na parte de trás e laterais. Usar solventes, abrasivos ou produtos à base de álcool podem danificar a televisão. Se um objeto ou líquido entrar no interior do aparelho, desligue-o de imediato da tomada e solicite a um profissional autorizado que verifique a televisão. Nunca abra o aparelho já que pode estar a correr riscos ou danificar o aparelho.

Pendurar a televisão na parede

AVISO: Esta operação requer duas pessoas.

Para uma instalação segura, tenha atenção às seguintes notas de segurança:

- Assegure-se de que a parede suporta o peso da televisão e do suporte de parede.
- Siga as instruções de montagem fornecidas com o suporte de parede. Nalguns modelos, certifique-se de que aparafusa, na parte de trás do equipamento, as ferragens do suporte de parede VESA, incluídos com equipamento, nas porcas para o suporte, antes da sua montagem na parede.
- A televisão deve ser instalada na vertical.
- Certifique-se de que apenas utiliza ferragens adequadas ao material da parede.
- Assegure-se de que os cabos da televisão estão colocados para que não exista o risco de tropeçar neles.

Todas as outras instruções de segurança sobre as nossas televisões também se aplicam aqui.

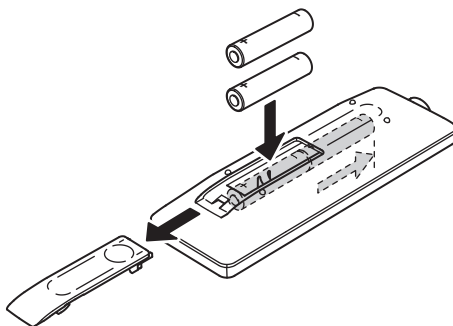
Colocar a televisão num móvel

Antes de instalar a sua televisão, certifique-se de que a superfície onde a quer colocar suporta o seu peso.

Não coloque o aparelho numa superfície instável (por exemplo, uma prateleira amovível, no rebordo de um móvel, etc.) e assegure-se de que a parte da frente da televisão não sobressai à superfície onde está assente.

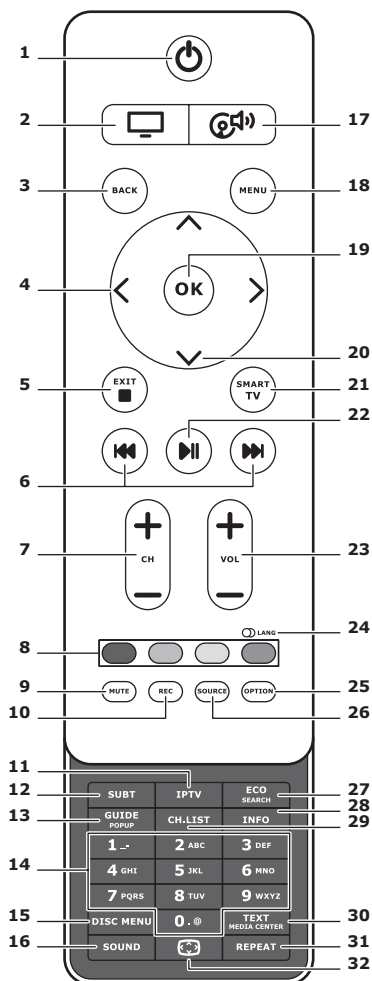


Este produto foi desenhado e fabricado com materiais e componentes de elevada qualidade, que podem ser reciclados e reutilizados. Este símbolo indica que o equipamento elétrico e eletrónico, no final da sua vida útil, deve ser eliminado separadamente dos resíduos domésticos a fim de evitar potenciais consequências negativas para a saúde humana e ambiente. Solicitamos a eliminação deste equipamento num centro de reciclagem/recolha de resíduos local. Na União Europeia existem sistemas de recolha seletiva para produtos elétricos e eletrónicos usados. Ajude-nos a preservar o ambiente em que vivemos!



Funções do comando

A maioria das funções da televisão está disponível através de menus que aparecem no ecrã. O comando incluído com a sua televisão pode ser usado para navegar através dos menus e para configurar as definições gerais.



1. Standby / sair do modo standby.
2. Para usar o comando em modo TV.
3. **BACK**
Para voltar ao menu anterior.
Para voltar ao canal anterior.
4. **<>**
Para navegar através dos menus.
Para definir funções e mudar valores.
> também pode ser usado para abrir o submenu correspondente.
5. **EXIT/■**
Para sair da estrutura de menu ou Teletexto; para parar algumas funções.
6. **⏮ ⏭**
Para avançar ou retroceder (prima e mantenha primido na função Media); e para se passar para a fotografia, canção ou vídeo anterior ou seguinte.
7. **CH+/-**
Para mudar os canais.
8. **Botões coloridos**
Para selecionar tarefas ou páginas do Teletexto. O botão vermelho também pode ser usado para a função MHEG.
9. **MUTE**
Para retirar e voltar a colocar som.
10. **REC**
Para gravar programas.
11. **IPTV**
Sem função.

12. SUBT

Para escolher as legendas disponíveis para um programa de TV digital selecionado.

13. GUIDE

Para aceder ou sair do guia eletrónico de programas (apenas disponível para canais digitais).

14. 0-9

Para marcar os números dos canais.
Para inserir letras, dígitos ou símbolos em algumas funções.

15. DISK MENU

Sem função.

16. SOUND

Para selecionar um modo de som pré-definido.

17. 

Para usar o comando em modo de sistema de som.

18. MENU

Para aceder ao menu principal.
Para aceder ou sair do teclado virtual na função de smart TV.

19. OK

Para confirmar uma entrada ou seleção.
Para "congelar/descongelar" uma imagem em modo de TV digital.

20. 

Para navegar através dos menus.
Para selecionar opções do menu.

21. SMART TV

Mostra a página inicial da smart TV.

22. 

Reproduzir/pausar.

23. VOL+/-

Para regular o volume.

24.  LANG

Para selecionar um tipo de som disponível para o programa de televisão analógico selecionado.
Para selecionar um idioma áudio disponível para o programa de televisão digital selecionado.

25. OPTION

Para mostrar o menu de funções e realizar determinadas operações; para mostrar a página do Teletexto em diferentes modos.

26. SOURCE

Para selecionar dispositivos ligados.

27. ECO

Para selecionar o modo de poupança de energia desejado.

28. INFO

Mostra informações sobre o programa (se disponível).

29. CH.LIST

Mostra a lista de canais.

30. TEXT/MEDIA CENTER

Para aceder e sair do Teletexto.

31. REPEAT

Sem função.

32. 

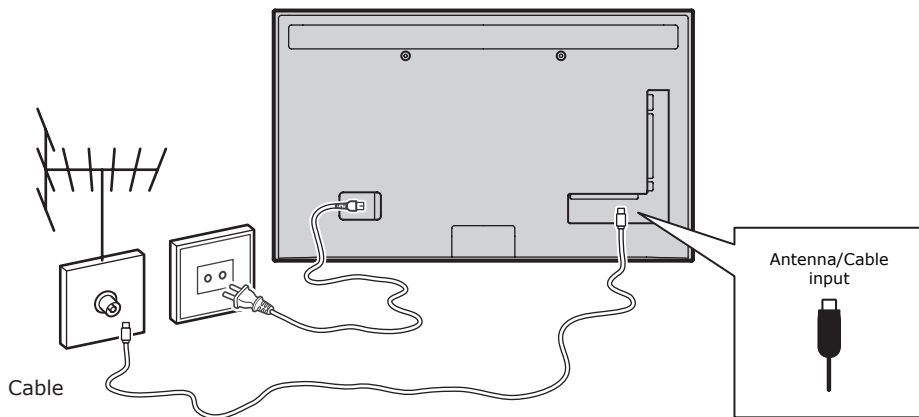
Para selecionar o formato de imagem.
Atenção: Recomendamos usar o modo de ecrã inteiro. Não use o modo de imagem com duas barras pretas laterais (como 4:3) durante um período de tempo prolongado; tal pode causar danos permanentes no ecrã da televisão.

Ligar à corrente e à antena

Para ligar a televisão, depois de ligá-la à corrente, pressione ⏻ ou **POWER**/ ⏻ .

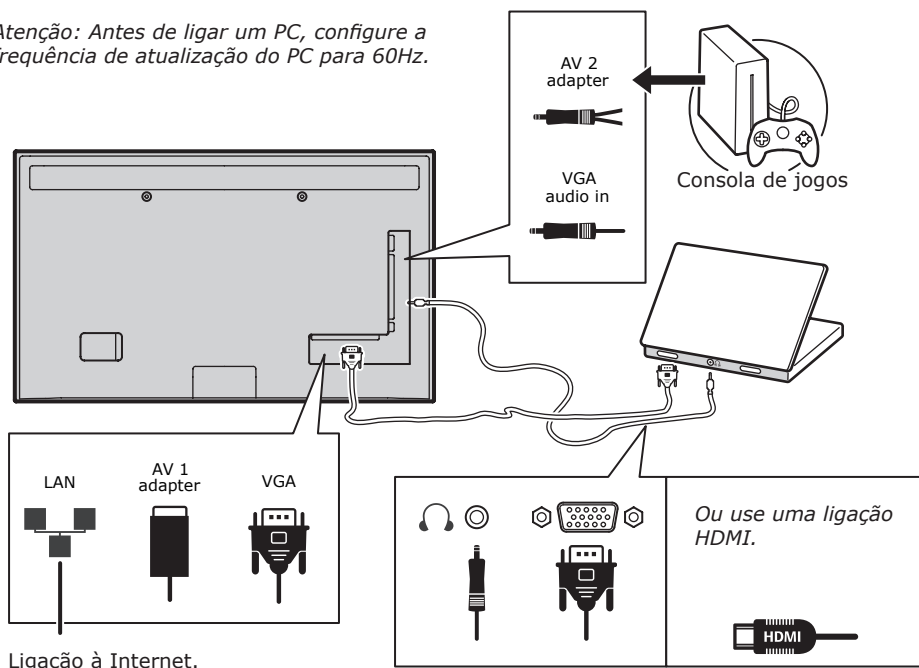
Atenção: A posição da ficha elétrica varia dos modelos de televisão.

Nalguns modelos, deve ligar o interruptor de ligação primeiro.



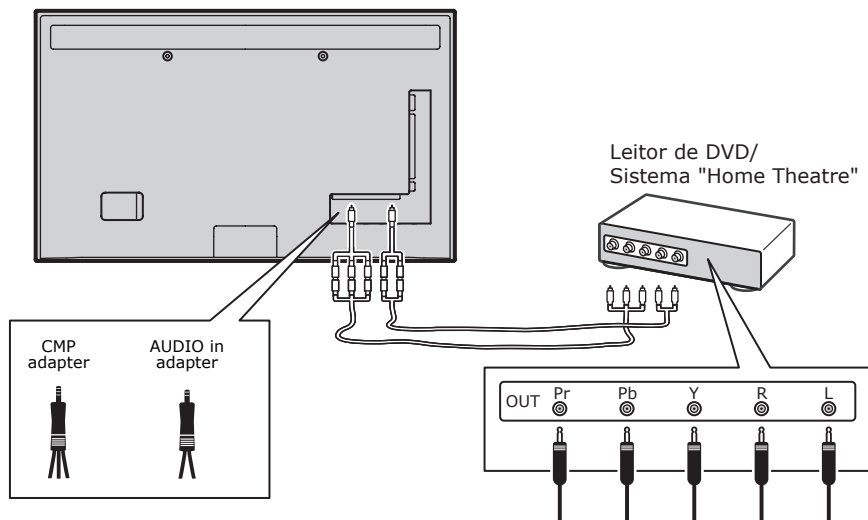
Consola de jogos, PC

Atenção: Antes de ligar um PC, configure a frequência de atualização do PC para 60Hz.



Ligação à Internet.

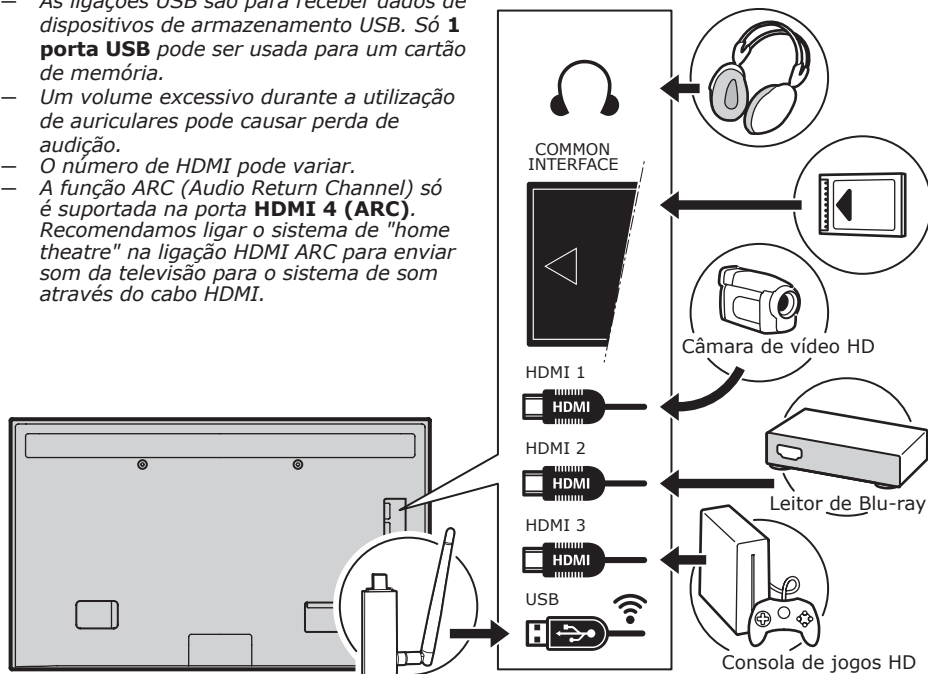
Leitor de DVD, sistema de "home theatre"



Leitor de Blu-ray, auriculares, consola de jogos HD & câmara de vídeo HD

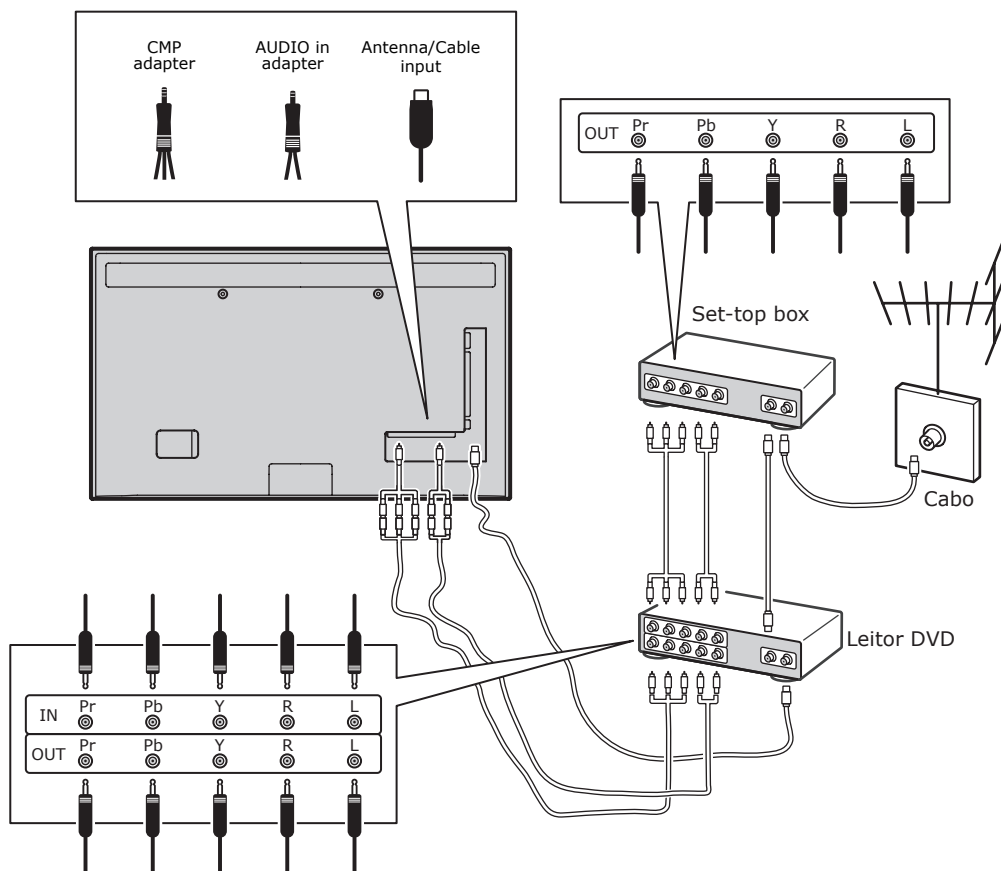
Atenção:

- As ligações USB são para receber dados de dispositivos de armazenamento USB. Só **1 porta USB** pode ser usada para um cartão de memória.
- Um volume excessivo durante a utilização de auriculares pode causar perda de audição.
- O número de HDMI pode variar.
- A função ARC (Audio Return Channel) só é suportada na porta **HDMI 4 (ARC)**. Recomendamos ligar o sistema de "home theatre" na ligação HDMI ARC para enviar som da televisão para o sistema de som através do cabo HDMI.



Leitor de DVD, cabo do recetor

Atenção:
Remove o cabo de alimentação antes de ligar dispositivos.



Atenção:

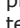





- Estas imagens são apenas para referência. O seu modelo pode divergir na aparência ou pode não incluir todas as ligações apresentadas.
- A posição da ficha elétrica pode variar, dependendo do modelo de televisão.
- A posição e os nomes dos botões de função e ligações podem variar, dependendo do modelo de televisão.

Importante:

Se não usar o comando durante um longo período de tempo, remova as pilhas e guarde-as adequadamente. Manuseie cuidadosamente as pilhas danificadas. Se o seu comando tem duas pilhas, não misture pilhas novas com usadas. As pilhas não devem ser expostas a uma temperatura excessiva, como a luz solar direta, fogo, etc. Há o perigo de explosão se as pilhas forem incorretamente substituídas. Substituir apenas por pilhas iguais ou equivalentes, recomendadas pelo fabricante. Elimine as pilhas usadas de acordo com as instruções do fabricante. Consulte as regras locais de reciclagem ou eliminação de resíduos e contacte um fornecedor que recolha pilhas usadas. Se as pilhas do comando se gastam, pode usar os botões da televisão. No modo TV, os botões têm as mesmas funções do que os botões correspondentes do comando. Nos menus, têm as seguintes funções:

CH ▲	▲
CH ▼	▼
VOL >	>
VOL <	<
MENU/☰	MENU
OK/☑	OK

Ligar e desligar a televisão

- Quando ligada, a televisão vai ligar diretamente ou ficar em modo standby. Se a televisão está em modo standby, prima o botão  ou **POWER**/ na televisão ou o botão  no comando para ligá-la.
- Para colocar a televisão em standby, prima o botão  ou **POWER**/ na televisão ou o botão  no comando. A televisão permanece ligada, mas com um menor consumo de energia.
- Para desligar a televisão, retire a ficha da tomada.

(*Nalguns modelos, tem de ligar o interruptor de ligação primeiro.)

Instalação inicial

A instalação inicial implica a seleção de todas as instalações necessárias para ser capaz de procurar e guardar todos os canais analógicos e digitais que pode receber.

Certifique-se de que a televisão está ligada e siga todos os passos indicados de seguida, respeitando a sua ordem.

Atenção: Se a procura de canais obtiver apenas os analógicos, pode ser resultado de um fraco sinal de transmissão e, por isso, não está coberto pela garantia do fabricante. Os fabricantes não podem ser responsabilizados pela falta ou fraca qualidade do sinal de transmissão.

A primeira vez que ligar a televisão, o assistente de **Initial Setup** (configuração inicial) surge, guiando-o através do processo de configuração inicial. (Figura 1.) Prima **OK** para começar a configuração inicial.

- Prima **▲/▼** para escolher o idioma, depois prima **OK/➤** para o próximo passo.
- Prima **▲/▼** selecionar o país, depois prima **OK/➤** para o próximo passo.

*Atenção: Se selecionar **França**, vai ter de entrar no menu de **Password Setting** (definir palavra-passe) a fim de escolher uma palavra-passe. Use os botões numéricos para inserir quatro dígitos como palavra-passe. (0000 é muito básico para ser palavra-passe.) Volte a inserir o mesmo código para confirmar a palavra-passe. Depois disso, vai passar automaticamente para o passo seguinte. (Neste passo, pode apenas carregar **BACK** (voltar) para voltar ao passo anterior.)*

- Prima **▲/▼** para escolher o sintonizador, **Antena, Cabo** ou **Satélite**. (*Atenção: Nalguns modelos, esta opção pode não estar disponível.*)
 - Selecione **Antena** (Ar).
 - Prima **OK/➤** para entrar.
 - Selecione **Digital & Analogue** (digital & analógico), **Digital** ou **Analogue** (analógico) e prima **OK/➤**.
 - Prima **▲/▼** para selecionar **Scan** (procurar), depois prima **OK/➤** para iniciar a procura automática de todos os canais digitais DVB-T e/ou canais analógicos.
 - Selecione **Cabo**.
 - Prima **OK/➤** para entrar.
 - Selecione **Digital & Analogue, Digital** ou **Analogue**, depois prima **OK/➤**.
 - Prima **▲/▼** para selecionar **Scan** e prima **OK/➤** para iniciar diretamente a configuração inicial ou entrar no passo abaixo.
 - Se disponível, selecione **Full** (completo)

se disponível para procurar e guardar todos os canais digitais DVB-C e analógicos.

- Pode selecionar outro modo de scan avançado, se disponível (por exemplo, **Advanced** (Avançado)), depois configure adequadamente a informação de cabo, como descrito em baixo. Use os botões numéricos para ajustar os valores de frequência, taxa de símbolo e ID da rede; use **</>** para selecionar um modo de modulação.
- Prima **OK** para iniciar a configuração inicial de todos os canais digitais DVB-C e analógicos relacionados.

Nota: nalguns modelos, esta opção pode não estar disponível.

- Selecionar **Satélite**.
- Prima **OK/>** para entrar.
- Prima **^/V** para selecionar **Scan**, depois prima **OK/>** para passar para o próximo passo e configurar a informação adequada relacionada com o satélite e antena.
- Prima **OK** para começar a configuração inicial relacionada com todos os canais de satélite.

Atenção: Para evitar que o processo de configuração de canal seja interrompido, aguarde pela mensagem que indica que a configuração está completa.

4. Antes de iniciar a procura, também pode escolher **Skip Scan** (saltar procura) para saltar o processo de configuração inicial.
5. Durante a configuração, pode seguir as instruções no fundo do ecrã e voltar ao passo anterior, premindo **BACK**. Ou prima **EXIT** para sair ou interromper a procura.
6. Logo que a procura automática terminar, a televisão passa automaticamente para o passo seguinte. Prima **^/V** para selecionar a sua localização **Loja** ou **Casa**. Prima **OK/>** para confirmar a sua escolha e passar ao último passo.
7.
 - Neste passo, pode carregar **OK** para sair da configuração inicial. Os canais são organizados numa ordem pré-definida. Se desejar saltar canais, modifique a pré-definição ou volte a nomear canais, seleccione **SETUP > Organiser** (Configuração > organizador) e prima **OK/>** para entrar.
 - Neste passo, também pode carregar **BACK** para voltar ao passo anterior.

Instalação automática de canais

Esta secção descreve como procurar e guardar automaticamente os canais.

As instruções são tanto para os canais analógicos como digitais.

1. Prima **MENU** no comando e seleccione **SETUP > Language > Menu Language** (Configuração > Idioma > Menu Idioma). Prima **</>** para escolher o idioma do menu que desejar.
2. Prima **BACK** para voltar a **SETUP**, prima **^/V** para selecionar **Country** (país), e prima **</>** para escolher o seu país. A televisão instala e organiza os canais de acordo com o seu país.
3. Prima **^/V** para escolher o **Tuner Mode** (modo sintonização) e prima **</>** para escolher **Antena, Cabo** ou **Satélite**.
(*Alguns modelos não têm esta opção.*)
 - Selecionar **Antena**.
 - Prima **^/V** para selecionar **Channel Install** (instalar canais), e prima **OK/>** para entrar.
 - Seleccione **Automatic Search (procura automática)** (Figura 2.) e prima **OK/>** para mostrar a **Automatic Search**.
 - Prima **OK** para saltar a seleção de país e passar ao passo seguinte. Ou use **</>** para voltar a selecionar o seu país, depois prima **OK** para entrar.
 - Seleccione **Digital & Analogue, Digital** ou **Analogue**, e depois prima **OK/>** para iniciar a procura automática, o que identificará todos os canais digitais DVB-T e/ou canais analógicos.
 - Selecionar **Cabo**.
 - Prima **^/V** para selecionar **Channel Install**, e prima **OK/>** para entrar.
 - Seleccione **Automatic Search** e prima **OK/>** para ver a **procura automática**.
 - Prima **OK** para saltar a seleção de país e passar ao passo seguinte. Ou use **</>** para voltar a selecionar o seu país e depois prima **OK** para entrar.
 - Seleccione **Digital & Analogue**, depois prima **OK/>** para entrar. Seleccione o seu modo de scan, se disponível, e configure a informação de cabo adequada da mesma forma que a configuração inicial. Seleccione **Scan** e prima **OK/>** para iniciar a sua procura automática de todos os canais analógicos e digitais DVB-C.
 - Seleccione **Digital** e depois siga o mesmo

processo descrito anteriormente para iniciar a procura automática de todos os canais digitais DVB-C.

- Seleccione **Analogue** e depois prima **OK/>>** para iniciar a procura automática de todos os canais analógicos.
- Selecionar **Satélite**.

Nota: nalguns modelos, esta opção pode não estar disponível.

- Prima **Λ/V** para seleccionar **Satellite Setup** (configuração satélite) e prima **OK/>>** para entrar.
- Prima **Λ/V** para seleccionar o satélite adequado ou adicionar novos satélites, se necessário. Depois prima **OK** para entrar e configurar a informação adequada relacionada com o satélite e a antena.
- Selecione **SETUP > Channel Install > Automatic Search** (Configuração > Instalar canais > Procura automática) e depois prima **OK/>>** para entrar.
- Selecione **Country** (país), e use **</>** para voltar a escolher o país desejado, se necessário.
- Selecione **Satellite Tuning** (sintonizar satélite), prima **OK/>>** para mostrar o menu **SATELLITE TUNING**. Configure a informação adequada. Selecione **Scan** e prima **OK/>>** para começar a configuração inicial de todos os canais de satélite.

Nota: nalguns modelos, esta opção pode não estar disponível.

4. A procura pode demorar alguns minutos. Durante o processo, pode carregar **EXIT** para abandonar o processo a meio.
5. Logo que a procura automática terminar, prima **BACK** para voltar ao passo anterior ou prima **OK** para reiniciar a procura de canais.
6. Após a procura automática, os canais são organizados pela ordem pré-definida. Pode saltar canais, modificar a ordem ou voltar a nomear os canais.

Usar a televisão

Acesso aos canais

Usar os botões numéricos: prima os botões numéricos correspondentes para aceder aos canais.

Usar os botões CH+/- ou CH Λ/V: para mudar os canais.

Ver dispositivos ligados

Prima repetidamente **SOURCE** (fonte) no comando ou **OK** na televisão para se deslocar entre o modo TV e outras fontes. Para voltar à vista de TV, prima um botão numérico para entrar no canal, enquanto que com **CH+/-** pode navegar por todos os canais de televisão e outras fontes de entrada. *Atenção: Nem todos os modelos têm um botão OK na televisão.*

Volume

Regular o volume: use os botões de **VOL</>** na televisão ou os botões de **VOL+/-** no comando para aumentar ou diminuir o volume.

Colocar no silêncio: prima o botão **MUTE** para retirar o som à televisão. Prima novamente este botão ou o botão de **VOL+** para voltar a ter som.

Usar os menus de TV

1. Prima **MENU** para abrir o menu principal. (Figura 3.)
 2. Prima **Λ/V/ </>** para seleccionar o item desejado, depois prima **OK** para abrir o submenu correspondente.
 3. Nos submenús, use **Λ/V** para seleccionar as opções de menu, use **</>** para definir funções ou mudar valores. Use **OK** para ativar uma definição. Use **OK/ >** para abrir o submenu correspondente.
 4. Prima **BACK** para voltar ao menu anterior.
 5. Prima **EXIT** para fechar o menu.
- Atenção: Algumas opções podem não estar disponíveis para algumas fontes de sinal.*

Selecionar o idioma do menu

Pode escolher o seu idioma preferido para o menu, seguindo as instruções abaixo:

1. Prima **MENU** para abrir o menu principal.
2. Prima **Λ/V/ </>** para seleccionar **SETUP** e depois prima **OK** para entrar.
3. Selecione **Language** (idioma) e prima **OK/>>** para entrar.
4. Selecione **Menu Language** (menu de idioma) e prima **</>** para seleccionar o seu idioma e visualizar os menus.
5. Prima **EXIT** para fechar o menu.

Outras utilizações da sua televisão

Definir os seus canais preferidos

Pode criar uma lista dos seus canais de televisão preferidos.

1. Prima **CH.LIST**.
2. Prima o botão amarelo para entrar em **CHANNEL LIST SELECTION** (lista de canais selecionados). Prima **Λ/V** para selecionar a lista preferida e prima **OK** para entrar.
3. Prima o botão azul para começar a editar a sua lista favorita. Prima **Λ/V** para se deslocar na lista de canais e prima **OK** para selecionar ou desselecionar canais.
4. Repita este procedimento para configurar outros canais favoritos.
5. Prima **CH.LIST/EXIT** para sair.

Poupança de energia

1. Prima **MENU** no comando e selecione **PICTURE > ECO Settings > Energy Saving** (Imagem > Definições ECO > Energia).
2. Prima **</>** para selecionar o modo de poupança de energia.
3. Prima **EXIT** para fechar o menu.

Método rápido: Prima **ECO** no comando para selecionar diretamente o modo de energia desejado.

Função PAP

Mostra lado a lado as imagens de diferentes fontes de entrada. Repare que uma janela é para entradas de TV analógica e digital e a outra para entradas VGA, HDMI e CMP. *(Atenção: A entrada AV-Scart não está disponível em nenhuma das janelas.)*

1. Prima **MENU** para mostrar o menu principal.
2. Selecione **PAP** e prima **OK** para entrar.
3. Selecione a opção **PAP**, e prima **</>** para ligar/desligar a função PAP.
4. Selecione **TV Position** (posição TV), prima **</>** para repor a janela de TV.
5. Prima **</>** para selecionar uma janela.
6. Quando se seleciona a janela de TV, os botões digitais e **CH+/-** funcionam na TV. Quando se seleciona outra janela, **CH+/-** pode alterar as fontes externas disponíveis.

Usar legendas

Pode ativar legendas para cada canal de televisão. As legendas são emitidas através do Teletexto ou emissões digitais DVB-T/ DVB-C. Com emissões digitais, tem uma opção adicional de selecionar um idioma de legendas preferido.

Ligar/desligar as legendas

1. Prima **MENU** no comando e selecione **OPTIONS > Subtitle**.
2. Prima **OK/>** para entrar. (Figura 4.)
3. Selecione a opção **Subtitle** (Legendas), e prima **</>** para selecionar **On/Off** para ligar/desligar as legendas.

Ativar idiomas de legendas nos canais digitais de televisão

1. Prima **MENU** no comando e selecione **OPTIONS > Subtitle > Digital Subtitle Language** (Opções > Legenda > Idioma de legenda digital).
2. Prima **</>** para selecionar um idioma para as legendas como seu preferido.
3. Prima **Λ/V** para selecionar **Digital Subtitle Language 2nd** (2º idioma de legenda digital).
4. Prima **</>** para escolher um segundo idioma de legendas.
5. Prima **EXIT** para fechar o menu.

Modo rápido: Prima **SUBT** no comando para selecionar diretamente um idioma de legenda disponível para o programa de televisão digital selecionado.

Selecionar um tipo de legenda nos canais digitais de TV

1. Prima **MENU** no comando e selecione **OPTIONS > Subtitle > Subtitle Type** (Opções > Legenda > Tipo de legenda).
2. Prima **</>** para escolher um tipo de legenda. Selecione **Hearing Impaired** (incapacidade auditiva) para mostrar legendas em caso de deficiência auditiva.

Selecionar o idioma da página de descodificação no Teletexto

Prima **MENU** no comando e selecione **OPTIONS > Teletext > Decoding Page Language** (Opções > Teletexto > Página descodificação idioma). Selecione um tipo adequado de idioma no qual aparecerá o Teletexto.

Idioma do Teletexto Digital

Para canais digitais, a sua televisão pode ligar-se a um serviço com várias páginas de Teletexto iniciais em diferentes idiomas. Esta função permite selecionar um idioma disponível como idioma principal para páginas iniciais de Teletexto distintas.

Prima **MENU** no comando e selecione **OPTIONS > Teletext > Digital Teletext Language** (Opções > Teletexto > Idioma teletexto digital). Prima **</>** para selecionar.

Tipo SPDIF

Ligue um dispositivo áudio através da saída **SPDIF**. Prima **MENU** no comando e selecione **OPTIONS > SPDIF Type**.

Selecione um tipo de som adequado da lista de programas digitais.

- Se o programa atual emite som em formato **Dolby D**, pode selecionar **PCM** ou **Dolby D**.
- Se o programa atual não emite som em formato **Dolby D**, apenas pode selecionar **PCM**. Caso contrário, não será emitido nenhum som.
- Selecione **Off** para desligar a saída áudio do dispositivo áudio ligado à saída **SPDIF**.

*Atenção: As opções a escolher dependem do programa que está a ver. Se selecionar **PCM** e o som se adiantar à imagem, pode selecionar **SPDIF Delay** no menu de opções - **OPTIONS** - e prima **</>** para ajustar o atraso e sincronizar o som com a imagem.*

T-Link

Para procurar dispositivos CEC ligados a saídas HDMI na sua televisão. Permite-lhe usar "one-touch play" e "one-touch standby" entre dispositivos CEC.

Ativar ou desativar T-Link

1. Prima **MENU** no comando e depois selecione **OPTIONS > T-Link**.
2. Prima **</>** para selecionar **On** ou **Off**.

Usar "one-touch play"

"One-touch play" permite-lhe carregar em reproduzir (play), por exemplo, no comando do seu DVD. Isto inicia a reprodução do seu DVD e, de forma automática, muda a sua televisão para a fonte correta, mostrando o conteúdo do DVD.

Usar o sistema de standby

Prima, por exemplo, o botão ϕ no comando da televisão. Isto muda a sua televisão, e todos os dispositivos HDMI ligados, para o modo de standby.

Atualização da rede

Prima **MENU** no comando e depois selecione **OPTIONS > Network Update** (atualização de rede). Selecione **On/Off** para ativar ou desativar a função de atualização de rede.

- Quando esta função está ligada, a TV atualiza automaticamente canais se o seu fornecedor do serviço DTV atualizar a sua rede DTV.
- Quando esta função está desligada, precisa de voltar a fazer a procura de canais para obter novos canais ou remover canais indisponíveis, se o seu fornecedor de serviço DTV adicionar ou remover canais da sua rede DTV.

Interface comum

Os canais digitais de TV codificados podem ser descodificados com um módulo de interface comum e um cartão fornecido por um operador de serviço de TV digital. O módulo de interface comum pode permitir vários serviços digitais, dependendo do operador e serviços que escolher (por exemplo, televisão paga). Contacte o seu operador de serviços de TV digital para mais informações sobre serviços e termos.

Usar o módulo de interface comum

AVISO: Desligar a sua televisão antes de inserir um módulo de interface comum. Certifique-se de que segue as instruções descritas abaixo. Um inserção incorreta de um módulo de interface comum pode danificar tanto o módulo como a sua televisão.

1. Siga as orientações impressas no módulo de interface comum e insira gentilmente o módulo na ranhura de interface comum da sua televisão.
2. Empurre o módulo o mais possível.
3. Ligue a televisão e espere que a função de interface comum seja ativada. Este processo pode demorar alguns minutos.

Atenção: Não retire da ranhura o módulo de interface comum, para não desativar os serviços digitais.

Acesso a serviços de interface comum

Após inserir e ativar o módulo de interface comum, prima **MENU** no comando e selecione **OPTIONS > Common Interface** (interface comum). Esta opção de menu só está disponível se o módulo de interface

comum for corretamente inserido e ativado. As aplicações e conteúdo do ecrã são fornecidos pelo seu operador de serviços de TV digitais.

Atualização de software

Prima **MENU** no comando e selecione **OPTIONS > Software Update** (Opções > Atualização de software). Prima **OK/>** para entrar.

- **Current version** (versão atual): Verifica a versão atual do software.
- **Product name** (nome do produto): Mostra o nome do produto na televisão.
- **Serial number** (número de série), (se disponível): Mostra o número de série na sua televisão.
- **By network** (por rede): Permite-lhe fazer o download e instalar a versão de software mais recente através da Internet. Defina primeiro uma ligação à rede (wireless ou não) e depois selecione **By network** e prima **OK/>** para entrar. Siga as instruções do ecrã para continuar. *Atenção: Ligue um dispositivo USB à TV antes de iniciar a atualização de software.*
- **By channel** (por canal): Permite-lhe instalar a última versão de software, se disponível. Selecione **By channel** e prima **OK/>** para entrar.
- Use **</>** para selecionar **Yes** (sim) em **Auto Download** para fazer automaticamente o download do último software disponível. Depois de descarregado, vai ter de decidir se o instala de imediato. Se sim, siga as instruções no ecrã para completar a instalação. Também pode optar por ignorar a instalação.
- Selecione **No** (não) em **Auto Download** para ignorar o download automático.
- Selecione **Manual Download** e prima **OK/>** para iniciar o scan manual do último software. Siga as instruções no ecrã. Durante o scan, prima **OK/EXIT** para cancelar ou sair do processo.

Mudar para Modo Loja ou Casa

1. Prima **MENU** no comando e selecione **OPTIONS > Location** (opções > localização).
2. Prima **</>** e selecione **Loja** ou **Casa**.
3. Prima **EXIT** para sair.

Atenção: De acordo com o regulamento da Comissão Europeia 2009/125/EC, no Modo

*Casa, a televisão será automaticamente colocada em standby se não existir qualquer operação num período de quatro horas. Esta característica pode ser desativada no menu **OPTIONS** (Opções).*

Função MHEG

Algumas emissoras de televisão digital oferecem serviços interativos ou texto digital (por exemplo a BBC1). Estes serviços funcionam como Teletexto normal com a adição de botões coloridos, numéricos e navegação.

1. Prima **MENU** no comando e selecione **OPTIONS > Subtitle > Subtitle** (Opções > Legenda > Legenda).
2. Prima **</>** para definir **Subtitle** (legenda) para **Off**.

*Atenção: MHEG e legendas excluem-se mutuamente e não podem coexistir no mesmo ecrã. Se **Subtitle** está definido como **On**, MHEG não vai aparecer.*

3. Prima o botão vermelho ou **TEXT** no comando.
4. Prima **▲/▼/◀/▶** para selecionar ou destacar itens.
5. Prima **OK** para confirmar ou ativar.
6. Prima um dos botões coloridos para escolher uma opção.
7. Prima **TEXT** ou **EXIT** para sair.

Ver fotografias, ouvir música e ver vídeos a partir de um cartão de memória USB

A sua televisão está equipada com uma ligação USB que lhe permite ver fotografias, vídeos ou ouvir músicas guardados no dispositivo de armazenamento USB.

Formatos de ficheiros importados:

Fotos	JPEG
Música	MP3
Vídeo	AVI, MP4, MPG, MPEG, TS, DIVX, MKV...

Atenção: Alguns produtos USB, como câmaras digitais ou telemóveis, não são totalmente compatíveis com USB 2.0 standard, por isso podem não funcionar com o leitor de TV multimédia. Nem todos os dispositivos USB são compatíveis com a função USB. Nem todos os formatos mencionados anteriormente são suportados. Os formatos codificados dos seus ficheiros vão determinar se podem ou não ser usados.

Quando um dispositivo USB é detetado, entra diretamente no menu **MEDIA**.
(**Alternativa:** Seleccionar **MEDIA** no menu principal e carregar **OK** para entrar.)

Fotografia

Para ver fotografias, se disponível.

1. Selecione **MEDIA > PHOTO**, depois prima **OK** para entrar no browser (explorador) principal de ficheiros.
2. No browser principal de ficheiros, use **^/V/</>** para seleccionar uma fotografia ou uma pasta interna.
3. Selecione uma pasta interna, prima **OK** para abrir.
4. Use **/</>** para seleccionar uma fotografia quer no browser principal de ficheiros como numa subpasta, prima **MENU** para ver o menu de fotos no modo pasta.
 - **Sort** (ordenar): Ordena pastas e fotos por Data de modificação ou Nome.
 - **Edit** (editar): Copia, cola ou apaga a foto seleccionada.
 - **Parser:** Pode seleccionar **Recursive** (recursivo) para mostrar fotografias de todas as subpastas.
5. Selecione uma fotografia, prima **OK** para ver, e vai iniciar-se uma apresentação a partir da fotografia seleccionada. Prima **||** para pausar a fotografia se quiser rodar a fotografia em pausa. Prima **MENU** para abrir o menu de fotografia no browser. Pode reproduzir, pausar ou rodar as fotografias, seleccionar diferentes modos de reprodução, mostrar efeitos, etc.
6. Prima os botões correspondentes no comando para utilizar as funções disponíveis apresentadas na barra de funções na parte inferior do ecrã da televisão.

Música

Para ouvir música, se disponível.

1. Selecione **MEDIA > MUSIC**, depois prima **OK** para entrar no browser (explorador) principal de ficheiros.
2. Use **^/V/</>** para seleccionar uma música, quer seja do browser principal de ficheiros ou de uma subpasta, da mesma forma da função de visualizar fotografias, prima **MENU** para mostrar o menu de música no modo pasta.
 - **Sort** (ordenar): Ordena pastas e músicas por Nome, Género, Artista ou Álbum.

- **Edit** (editar): Copia, cola ou apaga a música seleccionada.
 - **Parser:** Pode seleccionar **Recursive** para mostrar músicas de todas as subpastas.
3. Selecione uma música, prima **OK** para reproduzir, e a produção automática inicia na música seleccionada. Prima **MENU** para mostrar o menu de música no modo de browser. Pode reproduzir ou pausar as músicas, seleccionar diferentes modos de reprodução, etc.
 - **Show lyrics** (mostrar letra): Esta opção está disponível para músicas com letra. Selecione e use **</>** para ativar/desativar a letra da música.
 - **Audio only** (apenas audio): Selecione e prima **OK** para ouvir a música com o ecrã desligado. Se carregar em qualquer uma das teclas o ecrã ligará.
 4. Prima os botões correspondentes do comando para utilizar as funções disponíveis apresentadas na barra de funções no fundo do ecrã de televisão.

Vídeo

Para ver vídeos, se disponível.

1. Selecione **MEDIA > VIDEO**, depois prima **OK** para entrar no browser principal dos ficheiros.
2. Use **^/V/</>** para seleccionar um vídeo, tanto no browser principal de ficheiros como nos subficheiros, da mesma forma que na função de visualização de fotografias, prima **MENU** para mostrar o menu de vídeos no modo pasta.
 - **Sort** (ordenar): Ordena pastas e vídeos por Tipo, Data de modificação ou Nome.
 - **Edit** (editar): Copia, cola ou apaga um vídeo seleccionado.
 - **Parser:** Pode seleccionar **Recursive** para mostrar vídeos de todas as subpastas.
3. Selecione um vídeo, prima **OK** para ver, e a produção automática inicia o vídeo seleccionado. Prima **MENU** para mostrar o menu de vídeos no modo de browser. Pode reproduzir ou pausar os vídeos, seleccionar diferentes modos de reprodução, modos de ecrã e definições de imagem pré-definida, etc.
4. Prima os botões correspondentes do comando para utilizar as funções disponíveis apresentadas na barra de funções no fundo do ecrã de televisão.

Vídeos DivX

(* não está disponível nalguns modelos)

SOBRE VÍDEOS DIVX: DivX® é um formato de vídeo digital criado por DivX, LLC, filial da Rovi Corporation. Este é um dispositivo oficial DivX Certified® que reproduz vídeos Aceda a DivX. Visit divx.com para mais informações e ferramentas de software para converter ficheiros em DivX vídeos.

SOBRE DIVX VIDEO-ON-DEMAND: Este dispositivo DivX Certified® deve ser registado para reproduzir filmes comprados DivX Video-on-Demand (VOD).

Obter o seu código de registo:

- Prima **MENU** no comando.
- Selecione **OPTIONS > DivX(R) Registration** (Opções > Registo DivX(R)).
- Prima **OK/>** e ser-lhe-á mostrado o código de registo.

Vá a vod.divx.com para mais informações e para saber como completar o seu registo.

Anular o registo da sua televisão:

Se pretende anular o registo da sua TV,

- Prima **MENU** no comando.
- Selecione **OPTIONS > DivX(R) Deregistration** (Opções > apagar registo DivX(R)).
- Prima **OK/>** e uma mensagem irá guiá-lo. DivX®, DivX Certified® e logótipos associados são marca registada da Rovi Corporation ou das suas filiais e são usadas com autorização.

Detetar horas

É possível detetar as horas dos canais digitais através das seguintes operações.

1. Prima **MENU** no comando e selecione **OPTIONS > Timer > Clock > Auto Synchronization** (Opções > Temporizador > Relógio > Sincronização automática).
2. Prima **</>** para selecionar **On**.

Ligar um descodificador de canal

Os descodificadores de canais analógicos podem ser ligados a um conetor AV. Atribua um canal de TV como canal a ser descodificado. Depois atribua a ligação onde o descodificador está ligado.

1. Prima **MENU** no comando e selecione **SETUP > Decode**.
2. Prima **OK/>** para entrar na lista.
3. Prima **▲/▼** para selecionar o canal a

descodificar.

4. Prima **OK** para selecionar ou desselecionar o canal.
5. Prima **BACK** para voltar ao menu anterior.

Diagnosticar canais de TV digitais

1. Prima **MENU** no comando e selecione **SETUP > Diagnostics**.
2. Prima **OK/>** para mostrar informação de sinal no canal digital atual, tais como força do sinal, frequência, etc.

Time Shift

Permite pausar, retroceder e avançar num programa. A primeira vez que usar esta função, certifique-se de que liga um cartão de memória USB. *Atenção: Devido a requisitos específicos do país, esta função não está disponível na Finlândia.*

1. Prima **MENU** no comando e selecione **SETUP > Time Shift**.
2. Prima **</>** para selecionar **On** para mudar a função Time Shift. Prima **EXIT** para fechar o menu.
3. Prima **OPTION** no comando e selecione **Time Shift**. Prima **OK** para confirmar.
4. Siga as instruções no ecrã.
5. Após a configuração do disco, prima **OPTION** e selecione **Time Shift**.
6. Prima **OK** para ver o menu Time Shift.
 - Prima o botão **⏸** para pausar a imagem e iniciar Time Shift.
 - Prima o botão **⏮** para reproduzir a parte gravada.
 - Quando o menu Time Shift desaparece e apenas o tempo de Time Shift está no ecrã, pode carregar em **⏮** ou **OK** para aceder ao menu Time Shift.
 - Prima **⏮** para retroceder rapidamente ou **⏭** para avançar rapidamente.
 - Prima **■** para sair da função Time Shift.

Atenção:

- *Antes de ligar um cartão de memória à televisão, certifique-se de que fez uma cópia dos dados no dispositivo, para evitar que um algo inesperado cause uma perda de dados importantes.*
- *Recomendamos usar um dispositivo USB com um espaço livre superior a 1GB e uma velocidade de disco superior a 5.0MB/seg.*
- *Quanto maior o ficheiro para Time Shift, maior o tempo de gravação.*
- *Se mudar de canal em modo Time Shift, terá de selecionar **Yes (sim)** ou **No***

(não). Pode selecionar **Yes** para sair da função *Time Shift* e mudar de canal.

Repor definições de fábrica

Permite-lhe repor as definições de fábrica.

1. Prima **MENU** no comando e selecione **SETUP**. Prima **OK** para confirmar.
2. Selecione **Reset Shop** (repor definições de fábrica) e prima **OK/>>** para entrar.
3. Use os botões numéricos para inserir a palavra-passe.
4. Prima **</>** para selecionar **OK** e prima **OK** para confirmar.
5. Aparece o menu **Initial Setup** (configuração inicial). Siga as instruções.

Personalizar definições de entrada

Permite configurar a televisão para a entrada de dispositivos externos, como a set-top box, leitor Blu-Ray, computador ou consola de jogos.

1. Prima **MENU** no comando e selecione **SETUP > Input Settings**.
2. Prima **OK/** para inserir **Input Settings** (definições de entrada).
3. Prima **^/V** para selecionar a porta de entrada à qual o dispositivo está ligado.
4. Prima **</>** para escolher o tipo de dispositivo. Prima **</>** dar um nome ao dispositivo.
5. Prima **BACK** e volte ao menu **SETUP**.

Após configurado, a etiqueta da fonte selecionada será mostrada depois do nome do conetor correspondente na lista de fonte, quando carregar **SOURCE** (fonte) no comando ou **OK** na TV.

Usar o guia de programação eletrónico (Electronic programme guide)

O EPG é um guia no ecrã que mostra a programação. Pode navegar, selecionar, ver e gravar programas.

1. Prima **GUIDE** no comando, o menu **Now and Next EPG** aparece, permitindo obter informações sobre o programa atual e o próximo de cada canal. Navegue através dos diferentes programas usando os botões de navegação do comando.
2. Use os botões coloridos para ver **8 Days EPG** (EPG 8 dias).
 - **Prev Day** (vermelho): Lista de dias anteriores EPG.
 - **Next Day** (verde): Lista dos próximos

dias EPG.

- **View Detail** (amarelo): Mostra a descrição do programa disponível.
- **Type Filter** (azul): Filtro de guia de programas para programas de televisão digitais.
 - Prima o botão azul para ver o tipo de programas e as listas de subtipo.
 - Navegue através dos diferentes tipos e subtipos, usando os botões de navegação no comando.
 - Selecione um ou mais tipos, que quer destacar da lista de Tipos, prima **OK** para selecionar (ou desselecionar). Um visto aparecerá à esquerda do tipo selecionado. Quando seleciona um tipo, todos os seus subtipos vão ser selecionados.
 - Além disso, pode selecionar alguns subtipos desejados sem selecionar qualquer tipo primeiro.
 - Prima o botão azul para sair da lista de tipo e subtipo.
 - Após filtragem, todos os seus programas digitais serão destacados.
- **Add schedule** (criar agendamento) (opção): Prima **OPTION** no comando para ver o menu **Schedule List** (lista de agendamentos). Para detalhes de agendamento de gravações, ver secção de **Schedule List**.
- 3. Prima **GUIDE/EXIT** para sair do EPG e mudar para o canal selecionado.

PVR (Personal Video Recorder)

Permite gravar os programas preferidos.

Antes de usar a função, ligue primeiro um cartão de memória USB. *Atenção: Devido a requisitos específicos do país, a função PVR não está disponível na Finlândia.*

1. Prima **OPTION** no comando e selecione **QUICK ACCESS > PVR**.

2. Prima **OK/>>** para entrar.

Método rápido: Prima **REC** no comando para entrar diretamente no menu PVR.

3. Prima:
 - **REC** para iniciar a gravação, o ficheiro gravado é colocado numa pasta PVR em **MEDIA > VIDEO**;
 - ■ que para manualmente a gravação; quando a duração da gravação termina, a gravação vai parar automaticamente.
 - **^/V/ </>** para ajustar a duração da gravação.
4. Ao gravar, um mini painel PVR vai indicar no ecrã o processo de gravação.

5. Para ver o programa gravado, saia primeiro do modo PVR e vá a **MEDIA > VIDEO**. Selecione a pasta PVR, depois selecione o ficheiro de gravação relacionado. Prima **OK** para reproduzir. (É o mesmo para gravar um programa de rádio digital).

Atenção:

- Quando é usado um cartão CI+, a função PVR será desativada.
- Apenas disponível para canais digitais.
- Apenas suporta dispositivos de memória USB em formato FAT32.
- Antes de ligar um dispositivo de memória USB à televisão, certifique-se de que fez uma cópia dos dados no dispositivo, para evitar que algo inesperado cause uma perda de dados importantes.
- Quanto maior o espaço do dispositivo de memória USB para a função PVR, maior o tempo de gravação.
- Se quiser mudar de canal ou fonte de sinal durante a gravação, guarde os dados de gravação antes de mudar de canal ou fonte.
- A TV não reproduz ficheiros normalmente se os parâmetros do ficheiro excedem as limitações do sistema, o formato do ficheiro não é suportado, o ficheiro está danificado, ou o ficheiro não pode ser descodificado.
- Não desligue o dispositivo de memória USB enquanto o sistema está a ler um ficheiro ou a transmitir dados, caso contrário o sistema ou dispositivo pode ficar danificado.

Lista de agendamentos

Esta função é usada para agendar gravações.

1. Prima **OPTION** no comando e selecione **QUICK ACCESS > Schedule List** (Acesso rápido > lista agendamentos).
2. Prima **OK** para ver a **Schedule List**.
3. Para adicionar um agendamento à lista, prima o botão vermelho para ver a **Schedule List**. Depois,
 - **Channel number** (n.º de canal): use **</>** para selecionar o número de canal.
 - **Start date** (data de início): use os botões numéricos para definir a data de gravação.
 - **Start time** (hora de início): defina a hora de início de gravação.

- **Stop time** (hora de fim): defina a hora de fim de gravação.
- **Tipo de agendamento:**
 - Configure **Reminder** (lembrança) para se lembrar de que pode mudar para o programa agendado quando estiver na hora que definiu. Quando estiver na hora que selecionou e se não realizar nenhuma operação, a caixa de diálogo vai desaparecer e não será realizada nenhuma outra operação.
 - Configure **Record** (gravar) para assegurar de que realmente quer iniciar uma gravação agendada quando estiver na hora que definiu. Quando estiver na hora que selecionou e se não realizar nenhuma operação, uma caixa de diálogo vai desaparecer e não será realizada nenhuma outra operação, a gravação agendada iniciará-se automaticamente.
- **Repeat time** (tipo de Repetição): defina diferentes modos de repetição para gravação.
- 4. Prima **^/V/</>** para selecionar **Add** (adicionar) e prima **OK** para adicionar o agendamento que definiu à lista de agendamento.
- 5. Prima o botão vermelho para repetir os procedimentos anteriores, a fim de criar outro agendamento.
- 6. Se desejar editar ou apagar um agendamento, selecione-o e prima **OK**.
- 7. Prima **EXIT** para fechar menu.

Ligação à rede

Pode definir a TV para aceder à Internet através da sua rede local (LAN) usando uma ligação wireless ou não.

Ligar a uma rede com fios

Pode ligar a televisão à sua rede LAN usando um cabo, de três formas:

- Adicione a TV à sua LAN, ligando a porta LAN da sua TV a um modem externo, usando um cabo Cat 5.
- Adicione a TV à sua LAN, ligando a porta LAN da sua TV a um IP Sharer, que está ligado a um modem externo. Use um cabo Cat 5 para a ligação.
- Dependendo da configuração da rede, pode adicionar a TV à sua LAN ligando a porta LAN diretamente à TV a uma tomada de rede usando um cabo Cat 5. A tomada de rede está ligada a um modem/router em qualquer sítio da casa.

Selecione **SETUP > Network > Settings > Interface**, depois selecione **Ethernet** para ligar a uma rede com fios.

Ligar a uma rede wireless

Para ligar a sua televisão a uma rede wireless, precisa de router ou modem wireless e um adaptador Wi-Fi, que terá de comprar em separado. Ligue o adaptador Wi-Fi à porta **USB 1** da televisão.

1. Selecione **SETUP > Network > Settings > Interface**, e de seguida **Wireless** para ligar a uma rede wireless.
2. Selecione **Wireless Setting** (definições wireless) e prima **OK/>** para entrar.
3. **Métodos de ligação:** Pode definir a ligação à rede wireless de três formas.
 - **Scan**
 - Selecione **Wireless Setting > Scan** e prima **OK/>**, a TV vai fazer o scan a todos os pontos de acesso. Os pontos de acesso encontrados pela TV serão mostrados.
 - Selecione o ponto de acesso disponível e prima **OK/>** para ligar a TV.

Atenção:

- *Se seleccionar um ponto de acesso protegido, terá de inserir a palavra-passe correspondente. Prima **OK** no comando para aparecer um teclado virtual que lhe permite inserir a palavra-passe.*
- *Esta televisão tem uma função de memória do ponto de acesso disponível.*
- **Manual**
Selecione **Wireless Setting > Manual** e prima **OK/>**. Terá de inserir o SSID correto de um router wireless disponível para configurar a ligação.
- **Auto**
Se o seu AP suporta WPS (Wi-Fi Protected Setup), pode ligar-se à rede através de um PIN (Personal Identification Number) ou PBC (Push Button Configuration). WPS vai configurar automaticamente o SSID e chave WPA em ambos os modos. Selecione **Wireless Setting > Auto** e prima **OK/>** para entrar.
- **PIN:** Selecione **PIN** e prima **OK/>** para entrar. É criado um código PIN aleatório. Certifique-se de que este código é instalado em AP. (Para os procedimentos, registre o seu router manualmente.) Prima novamente **OK/>** para configurar a ligação.

- **PBC:** Se o seu router tem um botão PBC, selecione **PBC** e prima **OK/>** para entrar. Prima o botão PBC no router durante 2 minutos depois de primar novamente **OK/>**. A sua televisão vai automaticamente adquirir todas as definições da rede necessárias e ligar-se à rede.

Configuração da rede

1. Prima **MENU** no comando e selecione **SETUP > Network > Settings > Internet Connection**. Prima **</>** para escolher **On**. Espere até a ligação estar automaticamente estabelecida.
2. Selecione **SETUP > Network > Settings > Connection Test** (teste de ligação) e prima **OK/>** para verificar a ligação à Internet. Se não funcionar, siga os passos abaixo e verifique a ligação.
3. Selecione **SETUP > Network > Settings > IP Setting** (definições IP) e prima **OK/>** para entrar em **IP Setting**.
 - Defina **Address Type** (tipo de endereço) para **Auto**; vai adquirir e inserir automaticamente o endereço IP necessário.
 - Pode seguir os passos abaixo para inserir manualmente o endereço IP.
 - Defina **Address Type** para **Manual**, depois prima **V** para ir para o primeiro campo.
 - Insira os seguintes valores: **IP Address**, **Subnet Mask**, **Default Gateway**, **Primary DNS** e **Secondary DNS**. Use os botões numéricos para inserir números e os botões de seta para se movimentar entre os campos.
 - Após configuração, selecione **Setup > Network > Settings > Connection test** para verificar novamente a ligação à Internet.
4. Selecione **SETUP > Network > Settings > Information** e prima **OK/>** para mostrar a informação da ligação atual, tal como Interface, Tipo de Endereço, endereço IP, etc.

Navegar no PC através de Share & See

Se tem fotos, vídeos ou músicas guardados num computador ligado a uma rede doméstica, pode reproduzir esses ficheiros na televisão.

Ligar ao PC

Assegure-se de que primeiro configura a ligação da televisão ao router. Depois ligue também o PC através de um cabo de rede ou através de wireless.

Veja se **SETUP > Network > Settings > Internet Connection** está **On** e a firewall do PC não bloqueia a ligação.

Ativar função Share & See

Em **SETUP > Network > Applications > Share & See**, defina **On**.

Siga os passos aqui especificados.

Adicionar e partilhar através do PC

Instale um servidor media Share & See no seu PC. O servidor mais simples e familiar que pode instalar é o Microsoft Windows Media Player 11. Permite à TV partilhar ficheiros do seu PC.

1. Abra Microsoft Windows Media Player 11.
 - Selecione **Library > Media sharing**.
 - Clique em **Share my media to**.
 - Selecione o ícone de TV ligado ao PC.
 - Selecione **Allow** (permitir) para a TV aceder ao PC, e selecione **OK** para ativar a permissão.

*Atenção: Use o botão **Settings** para personalizar as definições desejadas.*

2.
 - Selecione **Library > Add to Library**.
 - Selecione as suas pastas pessoais ou pastas de outros utilizadores às quais pode aceder para partilhar.
 - Selecione **Add** e prima **OK** para ativar o que adicionou.

Aplicação Share & See

Selecione **MEDIA** no menu principal e prima **OK** para entrar no centro multimédia. Depois pode ver fotografias, ouvir música ou ver vídeos, que estão guardados no seu PC.

Smart TV

Permite-lhe usar aplicações de Internet (Apps), e está adaptada para ver sites de Internet. Pode controlar as aplicações com o comando.

AVISO:

- Configure as definições de rede antes de usar a **Smart TV**.
- Podem ocorrer interrupções e demoras, dependendo das condições de rede.
- Se tiver um problema a usar uma

aplicação, contacte o fornecedor do conteúdo.

- De acordo com o fornecedor, as atualizações da aplicação ou a aplicação podem ser descontinuadas.
- Dependendo dos regulamentos do país, algumas aplicações podem ter um serviço limitado ou não ser suportado.

Acesso a aplicações da Smart TV

1. Selecione **SMART TV** no menu principal e prima **OK** para ver a página principal da smart TV.

Método rápido: Prima **SMART TV** no comando para ver diretamente a página principal da smart TV.

1. Use **▲/▼/◀/▶** para escolher uma App e prima **OK** para entrar.

HbbTV

Algumas emissoras de canais digitais oferecem HbbTV interativo (Hybrid Broadcast Broadband TV). Com HbbTV, as emissoras combinam o seu programa de TV normal com informações ou entretenimento. Pode navegar interativamente nesse conteúdo. Para usar inteiramente HbbTV, precisa de ligação à Internet. *Atenção: Não pode fazer downloads da TV com esta função.*

Acesso a HbbTV

Quando sintoniza um canal de TV que oferece HbbTV, prima o botão vermelho para abrir as páginas interativas. Depois use **▲/▼/◀/▶** para navegar nas páginas HbbTV e prima **OK** para confirmar.

Palavras-passe para Parental Control Lock:

- A palavra-passe por defeito é 1234. Pode mudar para uma nova.
- A palavra-passe "mestre" é 0423. Se esquecer o seu código, insira esta palavra-passe que substitui os códigos existentes.

Resolução de ecrã:

- 1920X1080

Contactar a IKEA

Se tem questões sobre a televisão ou o sistema de som UPPLEVA TV ou se precisa de ajuda, contacte o Serviço de Apoio ao Cliente da IKEA em www.IKEA.pt.

Para que possamos ajudá-lo da melhor forma, leia com atenção o manual antes de nos contactar. Quando o fizer, tenha consigo o número de compra. Encontra o número de artigo de 8 dígitos no seu recibo ou atrás da sua televisão ou sistema de som UPPLEVA.

Σημαντικές πληροφορίες Ασφάλεια

Βεβαιωθείτε ότι η τάση του οικιακού ηλεκτρικού δικτύου συμφωνεί με την τάση που αναγράφεται στην ετικέτα αναγνώρισης που βρίσκεται στο πίσω μέρος της συσκευής. Σε περίπτωση που το φως ή κάποιος ζεύκτης χρησιμοποιείται ως συσκευή αποσύνδεσης, η συσκευή αποσύνδεσης πρέπει να παραμένει σε ετοιμότητα λειτουργίας.

Σε ορισμένα μοντέλα, η φωτεινή ένδειξη βρίσκεται στα πλάγια της τηλεόρασης. Η απουσία φωτεινής ένδειξης στην πρόσοψη δεν σημαίνει ότι η τηλεόραση είναι πλήρως αποσυνδεδεμένη από την πρίζα. Για να αποσυνδέσετε τη συσκευή τηλεόρασης εντελώς, πρέπει να βγάλετε το φως από την πρίζα.

Τα εξαρτήματα της τηλεόρασης είναι ευαίσθητα στη θερμότητα. **Η μέγιστη θερμοκρασία** περιβάλλοντος δεν πρέπει να υπερβαίνει τους 35 βαθμούς Κελσίου. Μην καλύπτετε τα ανοίγματα στο πίσω μέρος ή στα πλευρικά τμήματα της τηλεόρασης. Αφήστε αρκετό χώρο γύρω από τη συσκευή για επαρκή αερισμό. Τοποθετήστε τη συσκευή μακριά από οποιαδήποτε πηγή θερμότητας (π.χ. τζάκι, κ.λπ.) ή συσκευές που δημιουργούν ισχυρά μαγνητικά ή ηλεκτρικά πεδία.

Η υγρασία στους χώρους όπου τοποθετείται η συσκευή δεν πρέπει να είναι πάνω από 85%. **Θα πρέπει να αποφεύγεται η έκθεση της συσκευής σε μέρη όπου είναι πιθανή η εκτόξευση κάποιου υγρού** και δεν πρέπει να τοποθετούνται πάνω στη συσκευή αντικείμενα που περιέχουν υγρά, όπως βάζα. Μετακινώντας τη συσκευή από ένα ψυχρό μέρος σε κάποιο θερμότερο είναι δυνατό να σχηματιστεί υγρασία στην οθόνη λόγω συμπύκνωσης (και σε ορισμένα εξαρτήματα στο εσωτερικό της τηλεόρασης). Αφήστε την υγρασία να εξατμιστεί πριν από την επανενεργοποίηση της συσκευής.



ΠΡΟΕΙΔΟΠΟΙΗΣΗ

Για να αποφύγετε την εξάπλωση πυρκαγιάς, φυλάξτε τα κεριά ή άλλες εστίες φλόγας μακριά από το προϊόν.

Τα κουμπιά ϕ ή **POWER**/ ϕ στην τηλεόραση ή το κουμπί ϕ στο τηλεχειριστήριο μπορούν να χρησιμοποιηθούν για την ενεργοποίηση και τη θέση της συσκευής σε κατάσταση αναμονής. **Αν δεν πρόκειται να χρησιμοποιήσετε την τηλεόραση για μεγάλο χρονικό διάστημα**, απενεργοποιήστε την εντελώς βγάζοντας το φως από την ηλεκτρική πρίζα.

Κατά την διάρκεια **καταιγίδων**, σας συνιστούμε να αποσυνδέετε την τηλεόραση από το ηλεκτρικό δίκτυο και την κεραία, ώστε να μην επηρεάζεται από ηλεκτρικές ή ηλεκτρομαγνητικές διακυμάνσεις που είναι δυνατό να την καταστρέψουν. Για το λόγο αυτό, **η ηλεκτρική πρίζα και η πρίζα της κεραίας** θα πρέπει να είναι προσβάσιμες ώστε, όταν χρειάζεται, να μπορούν να **αποσυνδέονται**.

Αποσυνδέστε την τηλεόραση αμέσως αν διαπιστώσετε **οσμή καμένου υλικού ή καπνό**. Σε καμία περίπτωση δεν πρέπει να ανοίγετε τη συσκευή μόνοι σας, επειδή υπάρχει κίνδυνος ηλεκτροπληξίας.

Οθόνη τηλεόρασης

Η οθόνη τηλεόρασης που χρησιμοποιείται σ' αυτό το προϊόν είναι κατασκευασμένη από γυαλί. Ως εκ τούτου, μπορεί να σπάσει αν το προϊόν πέσει ή χτυπήσει πάνω σε άλλα αντικείμενα.

Η οθόνη τηλεόρασης είναι προϊόν πολύ υψηλής ποιότητας, το οποίο προσφέρει εικόνες εξαιρετικής ανάλυσης. Περιστασιακά, λίγα αδρανή πιξελ ενδέχεται να εμφανιστούν στην οθόνη ως σταθερό μπλε, πράσινο ή κόκκινο σημείο. Αυτό δεν επηρεάζει την απόδοση του προϊόντος σας.

Φροντίδα

Χρησιμοποιήστε προϊόν καθαρισμού τζαμιών για τον καθαρισμό της οθόνης, και απαλό πανί και ήπιο απορρυπαντικό για τον καθαρισμό της υπόλοιπης συσκευής.

Σημαντικό: Η χρήση ισχυρών απορρυπαντικών ή αλκοολούχων και λειαντικών προϊόντων καθαρισμού μπορεί να καταστρέψει την οθόνη.

Καθαρίζετε τακτικά τη σκόνη στα ανοίγματα που υπάρχουν στο πίσω μέρος και στα

πλευρικά τμήματα. Η χρήση διαλυτικών, λειαντικών ή προϊόντων καθαρισμού με βάση την αλκοόλη μπορεί να καταστρέψει την τηλεόραση. Αν κάποιο αντικείμενο ή υγρό εισχωρήσει στο εσωτερικό της συσκευής, αποσυνδέστε την αμέσως και απευθυνθείτε σε εξουσιοδοτημένο τεχνικό για να την ελέγξει. Ποτέ μην ανοίγετε την συσκευή μόνοι σας, επειδή αυτό μπορεί να είναι επικίνδυνο τόσο για σας όσο και για τη συσκευή.

Επίτοιχη τοποθέτηση της τηλεόρασης

Προειδοποίηση: Για την εργασία αυτή απαιτούνται δύο άτομα.

Για την ασφαλή τοποθέτηση της συσκευής, θα πρέπει να ληφθούν υπ' όψιν οι παρακάτω επισημάνσεις ασφάλειας:

- Βεβαιωθείτε ότι ο τοίχος μπορεί να αντέξει το βάρος της τηλεόρασης και τη διάταξη επίτοιχης στήριξης.
- Ακολουθήστε τις οδηγίες στήριξης που παρέχονται με την βάση επίτοιχης στήριξης. Για συγκεκριμένα μοντέλα, βεβαιωθείτε ότι έχετε βιδώσει τις πλήμνες (και βίδες) εξαγωνικής βίδας VESA για τοποθέτηση στον τοίχο που παρέχονται με την τηλεόραση στα περικόχλια για την τοποθέτηση στον τοίχο στο πίσω μέρος της τηλεόρασής σας πριν από την τοποθέτηση στον τοίχο.
- Η τηλεόραση θα πρέπει να τοποθετηθεί σε κάθετο τοίχο.
- Βεβαιωθείτε ότι χρησιμοποιείτε μόνο κατάλληλες βίδες για το υλικό του τοίχου.
- Βεβαιωθείτε ότι τα καλώδια της τηλεόρασης τοποθετούνται με τρόπο ώστε να μην υπάρχει κίνδυνος να σκοντάψετε πάνω σ' αυτά.

Επίσης, ισχύουν όλες οι άλλες οδηγίες σχετικά με τις τηλεοράσεις.

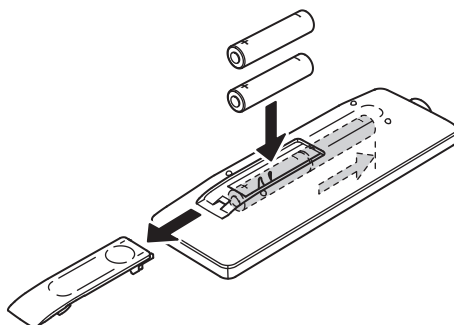
Επιτραπέζια τοποθέτηση της τηλεόρασης

Προτού τοποθετήσετε την τηλεόρασή σας, βεβαιωθείτε ότι η επιφάνεια στήριξης μπορεί να αντέξει το βάρος της.

Μην τοποθετείτε την τηλεόραση πάνω σε επιφάνειες που δεν είναι σταθερές (π.χ. μη σταθερό ράφι, στην άκρη μιας συσκευής) και βεβαιωθείτε ότι το πρόσθιο μέρος της τηλεόρασης δεν προεξέχει από την επιφάνεια πάνω στην οποία είναι τοποθετημένη.

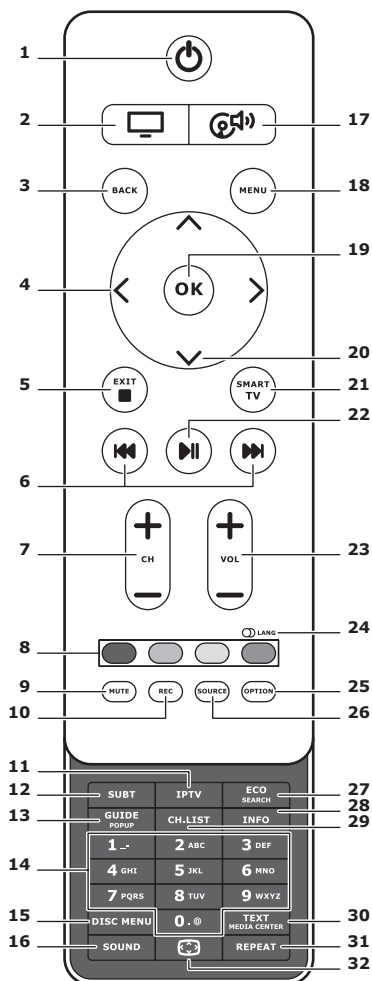


Το συγκεκριμένο προϊόν είναι σχεδιασμένο και κατασκευασμένο με υλικά και εξαρτήματα υψηλής ποιότητας που είναι δυνατό να ανακυκλωθούν ή να επαναχρησιμοποιηθούν. Αυτό το σύμβολο υποδεικνύει ότι οι ηλεκτρικές και ηλεκτρονικές συσκευές θα πρέπει στο τέλος της ζωής τους να απορρίπτονται ξεχωριστά από τα οικιακά απορρίμματα για την αποφυγή πιθανών αρνητικών επιπτώσεων στο περιβάλλον και την ανθρώπινη υγεία. Παρακαλούμε, απορρίψτε τη συσκευή αυτή στο ειδικό κέντρο αποκομιδής/ανακύκλωσης της περιοχής σας. Στην Ευρωπαϊκή Ένωση υπάρχουν ξεχωριστά συστήματα αποκομιδής για χρησιμοποιημένα ηλεκτρικά και ηλεκτρονικά προϊόντα. Παρακαλούμε, συμβάλετε στην διαφύλαξη του περιβάλλοντος στο οποίο ζούμε.



Λειτουργίες τηλεχειριστηρίου

Οι περισσότερες από τις λειτουργίες της τηλεόρασής σας είναι διαθέσιμες μέσω των μενού που εμφανίζονται στην οθόνη. Το συνοδευτικό τηλεχειριστήριο που παρέχεται μαζί με την τηλεόραση μπορεί να χρησιμοποιηθεί για την πλοήγηση στα διάφορα μενού και τη ρύθμιση όλων των γενικών παραμέτρων.



- 1. ⏻**
Αναμονή/Τερματισμός Αναμονής.
- 2. 📺**
Αλλαγή λειτουργίας του τηλεχειριστηρίου για χρήση στην τηλεόραση.
- 3. BACK**
Για επιστροφή στο προηγούμενο μενού.
Για επιστροφή στο προηγούμενο κανάλι.
- 4. <>**
Για πλοήγηση στα μενού.
Για ρύθμιση λειτουργιών και αλλαγή τιμών. Το > μπορεί, επίσης, να χρησιμοποιηθεί για το άνοιγμα του αντίστοιχου υπομενού.
- 5. EXIT/■**
Για έξοδο από το μενού ή το Teletext και διακοπή ορισμένων λειτουργιών.
- 6. ⏮⏭**
Για γρήγορη μετακίνηση μπροστά ή πίσω (πιέστε παρατεταμένα από τη λειτουργία Πολυμέσων) και μετακίνηση στην προηγούμενη ή επόμενη φωτογραφία, τραγούδι ή βίντεο.
- 7. CH+/-**
Για αλλαγή των καναλιών.
- 8. Χρωματιστά κουμπιά**
Για επιλογή εργασιών ή σελίδων Teletext. Το κόκκινο κουμπί μπορεί επίσης να χρησιμοποιηθεί για λειτουργία MHEG.
- 9. MUTE**
Για απενεργοποίηση ή ενεργοποίηση του ήχου.
- 10. REC**
Για εγγραφή προγράμματος.

11. IPTV

Καμία λειτουργία.

12. SUBT

Για επιλογή μιας από τις διαθέσιμες γλώσσες υποτίτλων για συγκεκριμένα ψηφιακά τηλεοπτικά προγράμματα.

13. GUIDE

Για την ενεργοποίηση/απενεργοποίηση του Ηλεκτρονικού Οδηγού Προγράμματος (μόνο για ψηφιακά κανάλια).

14. 0-9

Για εισαγωγή αριθμού καναλιού.
Για εισαγωγή γράμματος, αριθμού ή συμβόλου σε κάποιες λειτουργίες.

15. DISK MENU

Καμία λειτουργία.

16. SOUND

Για επιλογή μιας προκαθορισμένης λειτουργίας ήχου.

17. 

Αλλαγή λειτουργίας του τηλεχειριστηρίου για χρήση στο ηχοσύστημα.

18. MENU

Για μετάβαση στο κύριο μενού.
Για μετάβαση στο ή έξοδο από το εικονικό πληκτρολόγιο στη λειτουργία smart TV.

19. OK

Για επιβεβαίωση μιας καταχώρησης ή επιλογής.
Για πάγωμα/ξεπάγωμα της εικόνας στη λειτουργία ψηφιακής τηλεόρασης.

20. 

Για πλοήγηση στα μενού.
Για επιλογή από τις επιλογές μενού.

21. SMART TV

Για προβολή της αρχικής σελίδας smart TV.

22. 

Για αναπαραγωγή/παύση.

23. VOL+/-

Για έλεγχο της έντασης.

24.  LANG

Για επιλογή ενός από τους διαθέσιμους τύπους ήχου σε συγκεκριμένα αναλογικά τηλεοπτικά προγράμματα.
Για επιλογή μιας από τις διαθέσιμες γλώσσες ήχου σε συγκεκριμένα ψηφιακά τηλεοπτικά προγράμματα.

25. OPTION

Για προβολή του μενού λειτουργίας.
Για εκτέλεση ορισμένων ενεργειών.
Για προβολή της σελίδας Teletext σε διάφορες λειτουργίες.

26. SOURCE

Για επιλογή συνδεδεμένων συσκευών.

27. ECO

Για επιλογή της επιθυμητής κατάστασης εξοικονόμησης ενέργειας.

28. INFO

Για εμφάνιση των πληροφοριών προγράμματος, εάν είναι διαθέσιμες.

29. CH.LIST

Για εμφάνιση της λίστας των καναλιών.

30. TEXT/MEDIA CENTER

Για ενεργοποίηση ή απενεργοποίηση του Teletext.

31. REPEAT

Καμία λειτουργία.

32. 

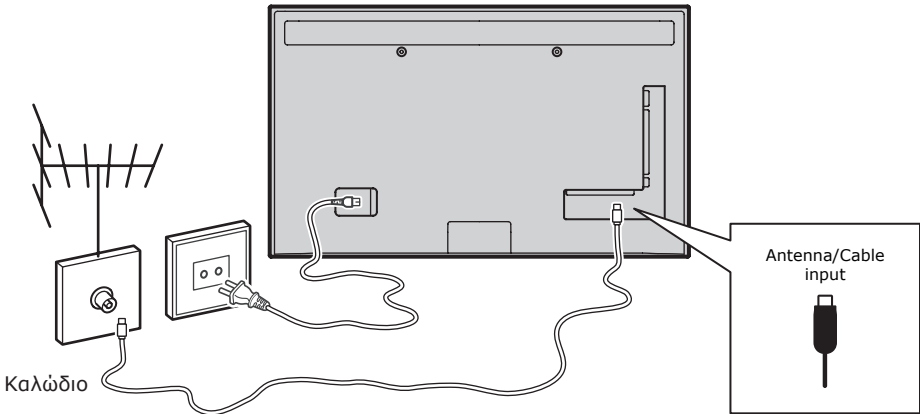
Για επιλογή μορφής εικόνας.
Σημείωση: Σας συνιστούμε να χρησιμοποιείτε τη λειτουργία πλήρους οθόνης. Μην χρησιμοποιείτε τη λειτουργία προβολής με μαύρα πλαίσια στα πλάγια της εικόνας (όπως π.χ. 4:3) για μεγάλα χρονικά διαστήματα. Αυτό μπορεί να οδηγήσει σε ανεπανόρθωτη βλάβη της οθόνης της τηλεόρασης.

Σύνδεση τροφοδοσίας και κεραίας

Για να ενεργοποιήσετε την τηλεόραση μετά τη σύνδεση του καλωδίου τροφοδοσίας, πιέστε ψ ή **POWER**/ψ.

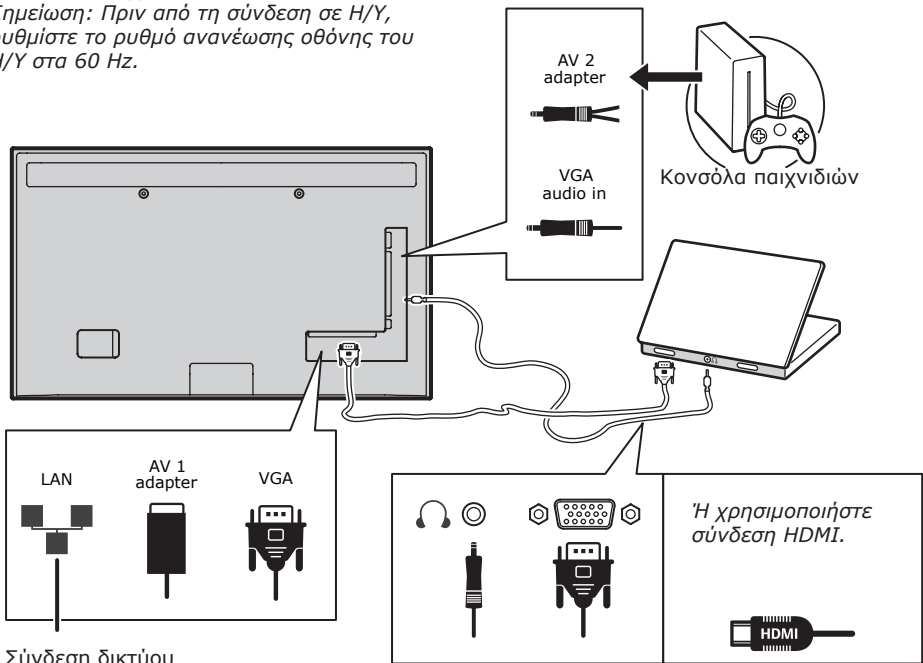
Σημείωση: Η θέση της υποδοχής τροφοδοσίας μπορεί να διαφέρει ανάλογα με το μοντέλο τηλεόρασης.

Σε ορισμένα μοντέλα θα πρέπει να ενεργοποιήσετε αρχικά το διακόπτη ισχύος.

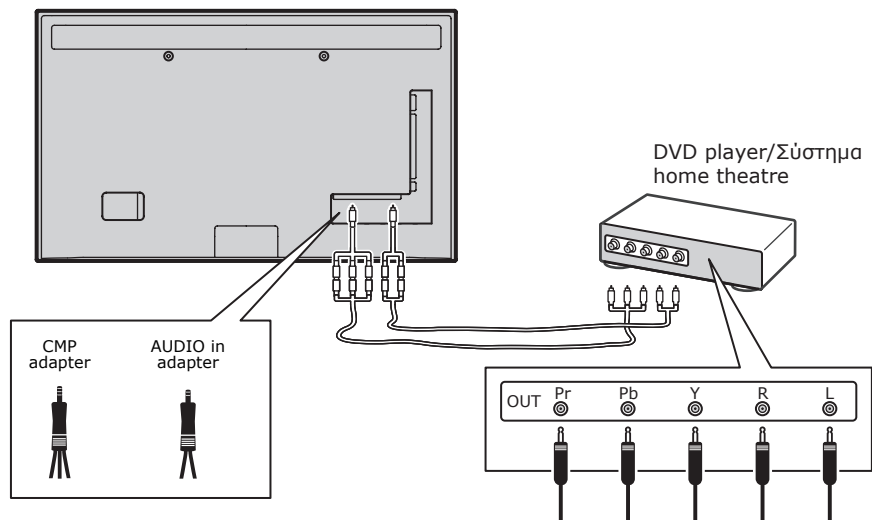


Κονσόλα παιχνιδιών, Η/Υ

Σημείωση: Πριν από τη σύνδεση σε Η/Υ, ρυθμίστε το ρυθμό ανανέωσης οθόνης του Η/Υ στα 60 Hz.



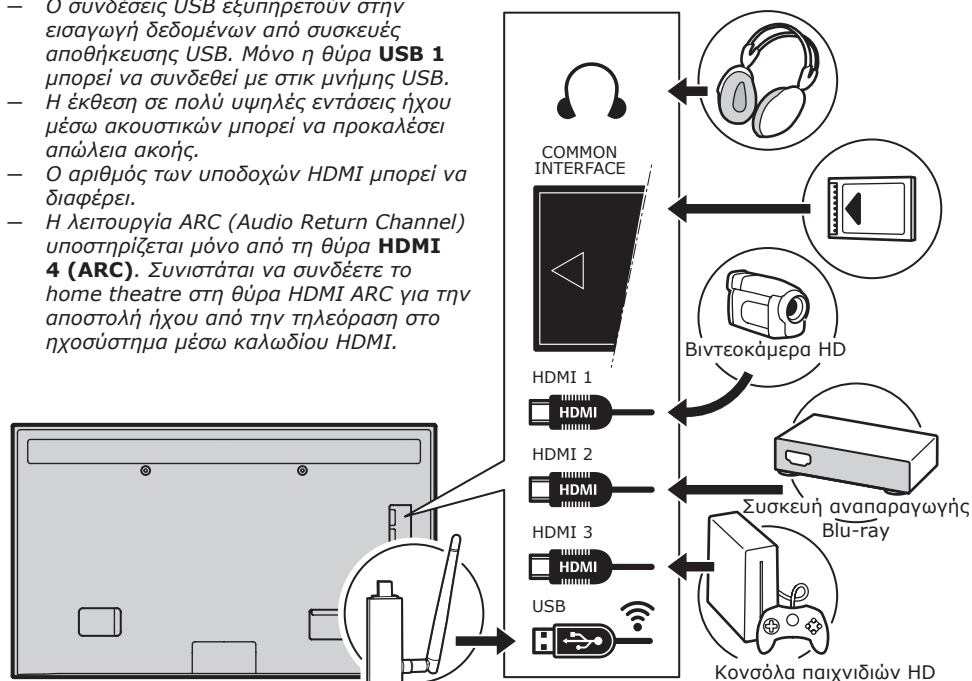
DVD player, σύστημα home theatre



Συσκευή αναπαραγωγής Blu-ray, ακουστικά, κονσόλα παιχνιδιών HD & βιντεοκάμερα HD

Σημειώσεις:

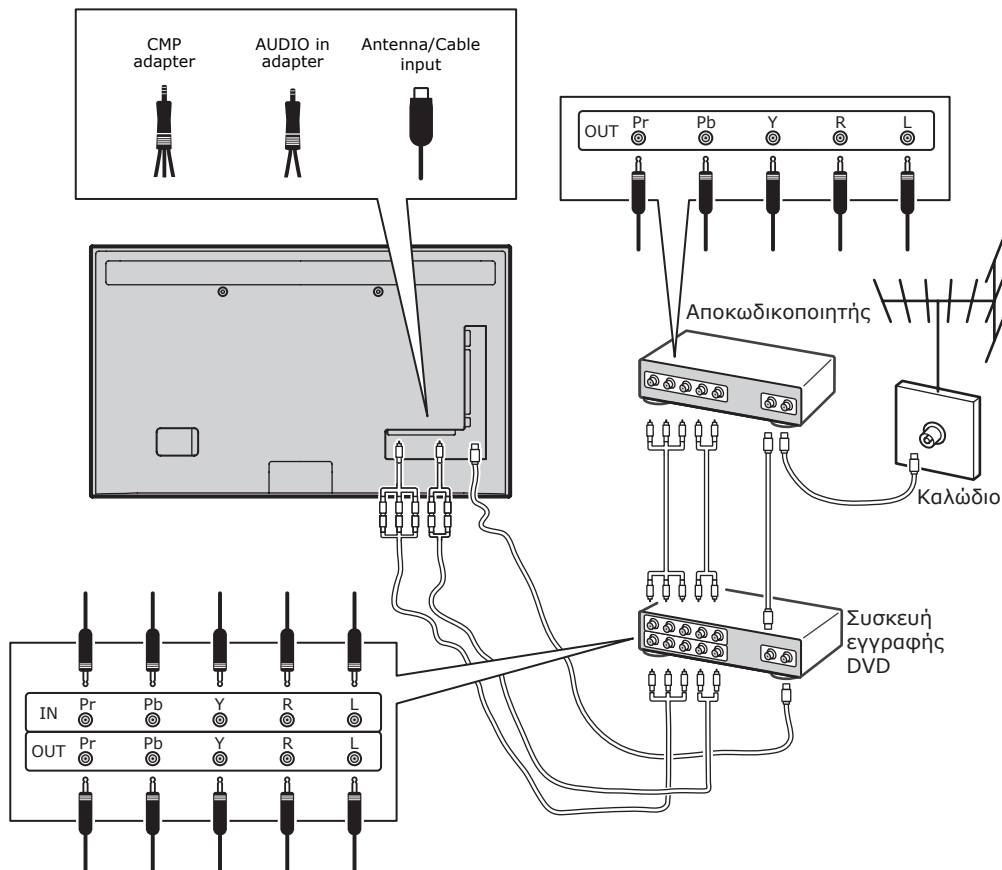
- Οι συνδέσεις USB εξυπηρετούν στην εισαγωγή δεδομένων από συσκευές αποθήκευσης USB. Μόνο η θύρα **USB 1** μπορεί να συνδεθεί με στικ μνήμης USB.
- Η έκθεση σε πολύ υψηλές εντάσεις ήχου μέσω ακουστικών μπορεί να προκαλέσει απώλεια ακοής.
- Ο αριθμός των υποδοχών HDMI μπορεί να διαφέρει.
- Η λειτουργία ARC (Audio Return Channel) υποστηρίζεται μόνο από τη θύρα **HDMI 4 (ARC)**. Συνιστάται να συνδέετε το home theatre στη θύρα HDMI ARC για την αποστολή ήχου από την τηλεόραση στο ηχοσύστημα μέσω καλωδίου HDMI.



DVD player, καλωδιακός δέκτης

Σημείωση:

Αφαιρέστε το καλώδιο τροφοδοσίας πριν από τη σύνδεση συσκευών.



Σημειώσεις:

- Αυτές οι εικόνες παρατίθενται αποκλειστικά για λόγους αναφοράς. Το μοντέλο σας μπορεί να διαφέρει ως προς την εμφάνιση ή να μην υποστηρίζει όλες τις συνδέσεις που απεικονίζονται.
- Η θέση της υποδοχής τροφοδοσίας της τηλεόρασης μπορεί να διαφέρει ανάλογα με το μοντέλο.
- Η θέση και τα ονόματα των κουμπιών λειτουργίας και των συνδέσεων της τηλεόρασης μπορεί να διαφέρουν ανάλογα με το μοντέλο.

Σημαντικό:

Σε περίπτωση που δεν σκοπεύετε να χρησιμοποιήσετε το τηλεχειριστήριο για μεγάλο χρονικό διάστημα, αφαιρέστε τις μπαταρίες και αποθηκεύστε τις κατάλληλα. Χειριστείτε προσεκτικά τις ελαττωματικές μπαταρίες και τις μπαταρίες που παρουσιάζουν διαρροή. Εάν το τηλεχειριστήριό σας λειτουργεί με δύο μπαταρίες, μην αναμειγνύετε τις παλιές μπαταρίες με νέες. Μην εκθέτετε τις μπαταρίες σε εξαιρετικά υψηλές θερμοκρασίες, όπως π.χ. σε άμεση ηλιακή ακτινοβολία, φωτιά κτλ. Σε περίπτωση εσφαλμένης αντικατάστασης των μπαταριών υπάρχει κίνδυνος έκρηξης. Αντικαταστήστε τις μπαταρίες μόνο με μπαταρίες ίδιου ή αντίστοιχου τύπου που συνιστώνται από τον κατασκευαστή. Απορρίψτε τις εξαντλημένες μπαταρίες σύμφωνα με τις οδηγίες του κατασκευαστή. Ενημερωθείτε για τους τοπικούς κανονισμούς ανακύκλωσης ή διάθεσης απορριμμάτων και απευθυνθείτε σε κάποιον τοπικό αρμόδιο διάθεσης απορριμμάτων για την απόρριψη των εξαντλημένων μπαταριών. Σε περίπτωση εξάντλησης των μπαταριών του τηλεχειριστηρίου σας, μπορείτε να χρησιμοποιήσετε τα κουμπιά της τηλεόρασης. Στη λειτουργία τηλεόρασης εκτελούν τις ίδιες λειτουργίες με τα αντίστοιχα κουμπιά στο τηλεχειριστήριο (δεν είναι όλες οι λειτουργίες ίδιες). Στα μενού εκτελούν τις παρακάτω λειτουργίες:

CH ▲	▲
CH ▼	▼
VOL >	>
VOL <	<
MENU ≡	MENU
OK ↵	OK

Ενεργοποίηση και απενεργοποίηση της τηλεόρασης

- Κατά τη σύνδεση στο ρεύμα, η τηλεόραση ενεργοποιείται αυτόματα ή εισέρχεται σε κατάσταση αναμονής. Εάν η τηλεόραση βρίσκεται σε κατάσταση αναμονής, πιέστε το πλήκτρο **Φ** ή **POWER/Φ** που βρίσκεται στη συσκευή, ή το πλήκτρο **Φ** που βρίσκεται στο τηλεκοντρόλ για να την ενεργοποιήσετε.

- Για να ρυθμίσετε την τηλεόραση σε κατάσταση αναμονής, πιέστε το πλήκτρο **Φ** ή **POWER/Φ** που βρίσκεται στη συσκευή, ή το πλήκτρο **Φ** που βρίσκεται στο τηλεκοντρόλ. Η τηλεόραση παραμένει ενεργοποιημένη, αλλά καταναλώνει ελάχιστη ενέργεια.
- Για να απενεργοποιήσετε την τηλεόραση, απουσδέστε το καλώδιο τροφοδοσίας από την πρίζα.

(*Σε συγκεκριμένα μοντέλα, πρέπει να ενεργοποιήσετε πρώτα τη συσκευή.*)

Αρχική Ρύθμιση

Η αρχική ρύθμιση περιλαμβάνει επιλογή όλων των ρυθμίσεων που απαιτούνται για να είναι δυνατή η αναζήτηση και αποθήκευση όλων των αναλογικών και ψηφιακών καναλιών που λαμβάνετε.

Βεβαιωθείτε ότι η τηλεόραση είναι αναμμένη και ακολουθήστε τις οδηγίες παρακάτω.

Σημείωση: Εάν κατά την αναζήτηση καναλιών βρέθηκαν μόνο τα αναλογικά κανάλια, ενδέχεται να πρόκειται για σφάλμα που οφείλεται σε ασθενές σήμα μετάδοσης, οπότε δεν καλύπτεται από την εγγύηση του κατασκευαστή. Ο κατασκευαστής δεν φέρει καμία ευθύνη για την απουσία ή τη μειωμένη ισχύ του σήματος μετάδοσης σε ορισμένες περιοχές.

Την πρώτη φορά που ενεργοποιείτε τη συσκευή, ανοίγει ο οδηγός **Initial Setup** (Αρχική ρύθμιση), ο οποίος σας καθοδηγεί κατά τη διάρκεια της διαδικασίας αρχικής ρύθμισης. (Δείτε το Σχήμα 1.) Πιέστε **OK** για να ξεκινήσετε την αρχική ρύθμιση της συσκευής σας.

- Επιλέξτε γλώσσα χρησιμοποιώντας το πλήκτρο **▲/▼** και, στη συνέχεια, πιέστε το πλήκτρο **OK/>** για να προχωρήσετε στο επόμενο βήμα.
- Επιλέξτε γλώσσα χρησιμοποιώντας το πλήκτρο **▲/▼** και, στη συνέχεια, πιέστε το πλήκτρο **OK/>** για να προχωρήσετε στο επόμενο βήμα.

Σημείωση: Εάν επιλέξετε **France** (Γαλλία), θα πρέπει να εισέλθετε από εδώ στο μενού **Password Setting** (Ρύθμ. Κωδ. Πρόσβασης) για να ορίσετε κωδικό πρόσβασης.

Χρησιμοποιήστε τα αριθμητικά πλήκτρα για να πληκτρολογήσετε τον τετραψήφιο αριθμό ως τον κωδικό πρόσβασης σας. (Ο συνδυασμός 0000 είναι πολύ απλός για να οριστεί ως κωδικός πρόσβασης.) Επαναπληκτρολογήστε

τον ίδιο κωδικό για να επιβεβαιώσετε τον κωδικό πρόσβασης. Στη συνέχεια, θα προχωρήσετε αυτόματα στο επόμενο βήμα. (Σε αυτό το βήμα, μπορείτε να πατήσετε μόνο το κουμπί **BACK** για να επιστρέψετε στο προηγούμενο βήμα.)

3. Πιέστε **Λ/Υ** για να επιλέξετε λειτουργία συντονιστή **Antenna** (Κεραία) ή **Cable** (Καλώδιο) ή **Satellite** (Δορυφορική). (Σημείωση: Αυτή η επιλογή μπορεί να μην είναι διαθέσιμη σε ορισμένα μοντέλα.)
 - Επιλέξτε **Antenna** (Κεραία).
 - Πιέστε **OK/>>** για να συνεχίσετε.
 - Επιλέξτε **Digital & Analogue** (Ψηφιακή & Αναλογικό), **Digital** (Ψηφιακή) ή **Analogue** (Αναλογικό) και, στη συνέχεια, πατήστε **OK/>>**.
 - Πατήστε **Λ/Υ** για να επιλέξετε **Scan** (Σάρωση) και, στη συνέχεια, πατήστε **OK/>>** για να ξεκινήσετε την αυτόματη αναζήτηση για όλα τα ψηφιακά ή/και αναλογικά κανάλια DVB-T.
 - Επιλέξτε **Cable** (Καλώδιο).
 - Πιέστε **OK/>>** για να συνεχίσετε.
 - Επιλέξτε **Digital & Analogue** (Ψηφιακή & Αναλογικό), **Digital** (Ψηφιακή) ή **Analogue** (Αναλογικό) και, στη συνέχεια, πατήστε **OK/>>**.
 - Πιέστε **Λ/Υ** για να επιλέξετε **Scan** (Σάρωση) και, στη συνέχεια, πιέστε **OK/>>** για να ξεκινήσετε αμέσως τη διαδικασία αρχικής ρύθμισης ή να προχωρήσετε στο παρακάτω βήμα.
 - Επιλέξτε **Full** (Πλήρης), αν είναι διαθέσιμο, για να πραγματοποιήσετε αναζήτηση και να αποθηκεύσετε όλα τα ψηφιακά και τα αναλογικά κανάλια.
 - Μπορείτε, εφόσον διατίθεται, να επιλέξετε άλλη προηγμένη λειτουργία σάρωσης [π.χ. **Advanced** (Για Προχωρημένους)]. Στη συνέχεια ρυθμίστε τις κατάλληλες παραμέτρους των πληροφοριών καλωδιακής. Χρησιμοποιήστε τα αριθμητικά πλήκτρα για να ρυθμίσετε τις τιμές της συχνότητας, το ρυθμό των συμβόλων και το αναγνωριστικό δικτύου. Χρησιμοποιήστε τα πλήκτρα **</>** για να επιλέξετε κατάσταση διαμόρφωσης.
 - Πιέστε **OK** για την έναρξη των αρχικών ρυθμίσεων σε σχέση με όλα

τα αναλογικά και DVB-C ψηφιακά κανάλια.

- Επιλέξτε **Satellite** (Δορυφορική). **Σημείωση:** Αυτή η επιλογή μπορεί να μην είναι διαθέσιμη σε ορισμένα μοντέλα.
 - Πιέστε **OK/>>** για να συνεχίσετε.
 - Πιέστε **Λ/Υ** για να επιλέξετε **Scan** (Σάρωση), κατόπιν πιέστε **OK/>>** για να περάσετε στο παραμέτρων σε σχέση με τη δορυφορική και την κεραία.
 - Πιέστε **OK** για να ξεκινήσετε την αρχική ρύθμιση για όλα τα δορυφορικά κανάλια.

Σημείωση: Για να μη διακοπεί η ρύθμιση των καναλιών, περιμένετε μέχρι να εμφανιστεί η ένδειξη ότι η ρύθμιση ολοκληρώθηκε.

4. Πριν την έναρξη της σάρωσης μπορείτε, επίσης, να επιλέξετε **Skip Scan** (Παράλειψη σάρωσης) για να παραλείψετε τη διαδικασία αρχικής διαμόρφωσης.
5. Κατά τη διάρκεια της διαμόρφωσης, ο χρήστης μπορεί να ακολουθήσει τις συμβουλές στη βάση της οθόνης και να επιστρέψει στο προηγούμενο βήμα πιέζοντας **BACK**. Ή πιέστε **EXIT** για έξοδο ή για να τερματίσετε την αναζήτηση.
6. Όταν σταματήσει η αυτόματη αναζήτηση, η συσκευή προχωράει αυτόματα στο επόμενο βήμα. Πατήστε **Λ/Υ** για να επιλέξετε τη θέση σας **Shop** (Κατάστημα) ή **Home** (Σπίτι). Πατήστε **OK/>>** για να επιβεβαιώσετε την επιλογή σας και προχωρήστε στο τελευταίο βήμα.
7.
 - Σε αυτό το βήμα, μπορείτε να πιέσετε **OK** για να βγείτε από τη διαδικασία της διαμόρφωσης. Τα κανάλια είναι ταξινομημένα με την προκαθορισμένη σειρά. Εάν θέλετε να παρακάμψετε κανάλια, να αλλάξετε την προκαθορισμένη σειρά εμφάνισης ή να τα μετονομάσετε, επιλέξτε **SETUP > Organiser** (Ρύθμιση > Οργάνωση) και πιέστε το **OK/>>** για είσοδο.
 - Σε αυτό το βήμα μπορείτε επίσης να πιέσετε **BACK** για να επιστρέψετε στο προηγούμενο βήμα.

Αυτόματη εγκατάσταση καναλιών

Η συγκεκριμένη ενότητα περιγράφει πώς να ανιχνεύσετε και να αποθηκεύσετε κανάλια

αυτόματα. Οι οδηγίες ισχύουν για αναλογικά και για ψηφιακά κανάλια.

1. Πιέστε το **MENU** στο τηλεχειριστήριο και επιλέξτε **SETUP > Language > Menu language** (Ρύθμιση > Γλώσσα > Μενού Γλώσσας). Πιέστε το πλήκτρο **</>** για να επιλέξετε τη γλώσσα προβολής του μενού που επιθυμείτε.
2. Πατήστε **BACK** για να επιστρέψετε στο **SETUP** (Ρύθμιση), πιέστε **Λ/Υ** για να επιλέξετε το στοιχείο **Country** (Χώρα) και, στη συνέχεια, πιέστε **</>** για να επιλέξετε τη χώρα σας. Η συσκευή τηλεόρασης εγκαθιστά και ταξινομεί τα κανάλια με βάση τη χώρα σας.
3. Πατήστε **Λ/Υ** για να επιλέξετε **Tuner Mode** (Λειτουργία συντονιστή) και, στη συνέχεια, πατήστε **</>** για να επιλέξετε **Antenna** (Κεραία) ή **Cable** (Καλωδιακή) ή **Satellite** (Δορυφορική).
(Αυτή η επιλογή μπορεί να μην είναι διαθέσιμη σε ορισμένα μοντέλα.)
 - Επιλέξτε **Antenna** (Κεραία).
 - Πιέστε **Λ/Υ** για να επιλέξετε **Channel Install** (Εγκατάσταση καναλιών), και πιέστε **OK/>** για να συνεχίσετε.
 - Επιλέξτε **Automatic Search** (Αυτόματη αναζήτηση) (ανατρέξτε στην Εικόνα 2.), και στη συνέχεια, πιέστε **OK/>** για να εμφανιστεί το στοιχείο **Automatic Search** (Αυτόματη αναζήτηση).
 - Πιέστε **OK** για να παραλείψετε την επιλογή χώρας και να προχωρήσετε στο επόμενο βήμα. Διαφορετικά, χρησιμοποιήστε τα κουμπιά **</>** για να επιλέξετε ξανά τη χώρα σας και, στη συνέχεια, πιέστε **OK** για να προχωρήσετε.
 - Επιλέξτε **Digital & Analogue** (Ψηφιακή & Αναλογικό), **Digital** (Ψηφιακή) ή **Analogue** (Αναλογικό), και κατόπιν πιέστε **OK/>** για να ξεκινήσει η αυτόματη αναζήτηση σε σχέση με όλα τα DVB-T ψηφιακά και/ή αναλογικά κανάλια.
 - Επιλέξτε **Cable** (Καλωδιακή).
 - Πιέστε **Λ/Υ** για να επιλέξετε **Channel Install** (Εγκατάσταση καναλιών), και πιέστε **OK/>** για να συνεχίσετε.
 - Επιλέξτε **Automatic Search** (Αυτόματη αναζήτηση), στη συνέχεια πιέστε **OK/>** για να εμφανιστεί

το στοιχείο **Automatic Search** (Αυτόματη αναζήτηση).

- Πιέστε **OK** για να παραλείψετε την επιλογή χώρας και να προχωρήσετε στο επόμενο βήμα. Διαφορετικά, χρησιμοποιήστε τα κουμπιά **</>** για να επιλέξετε ξανά τη χώρα σας και, στη συνέχεια, πιέστε **OK** για να προχωρήσετε.
- Επιλέξτε **Digital & Analogue** (Ψηφιακή & Αναλογικό), και στη συνέχεια, πιέστε **OK/>** για να προχωρήσετε. Επιλέξτε την κατάσταση σάρωσης, αν είναι διαθέσιμη, και διαμορφώστε τις κατάλληλες πληροφορίες καλωδιακής με τον ίδιο τρόπο που τις ρυθμίσατε στη διαδικασία Αρχικής ρύθμισης. Επιλέξτε **Scan** (Σάρωση), και κατόπιν πιέστε **OK/>** για να ξεκινήσετε την αυτόματη αναζήτηση σε σχέση με όλα τα DVB-C ψηφιακά και/ή αναλογικά κανάλια.
- Επιλέξτε **Digital** (Ψηφιακή) και ακολουθήστε την παραπάνω διαδικασία για να ξεκινήσετε την αυτόματη αναζήτηση όλων των ψηφιακών καναλιών DVB-C.
- Επιλέξτε **Analogue** (Αναλογικό) και, στη συνέχεια, πιέστε **OK/>** για να ξεκινήσετε τη διαδικασία αυτόματης αναζήτησης σχετικά με όλα τα αναλογικά κανάλια.
- Επιλέξτε **Satellite** (Δορυφορική).
Σημείωση: Αυτή η επιλογή μπορεί να μην είναι διαθέσιμη σε ορισμένα μοντέλα.
- Πατήστε **Λ/Υ** για να επιλέξετε **Satellite Setup** (Ρύθμιση δορυφορικής), και πατήστε **OK/>** για είσοδο.
- Πατήστε **Λ/Υ** για να επιλέξετε κατάλληλο δορυφόρο ή να προσθέσετε νέους δορυφόρους αν είναι απαραίτητο και, στη συνέχεια, πατήστε **OK** για είσοδο και διαμόρφωση των κανονικών πληροφοριών σχετικά με τον δορυφόρο και την κεραία.
- Επιλέξτε **Setup > Channel Install > Automatic Search** (Ρύθμιση > Εγκατάσταση καναλιών > Αυτόματη αναζήτηση) και, στη συνέχεια, πατήστε **OK/>** για είσοδο.
- Επιλέξτε **Country** (Χώρα) και

χρησιμοποιήστε τα πλήκτρα **</>** για να επανεπιλέξετε την επιθυμητή χώρα, αν είναι απαραίτητο.

- Επιλέξτε **Satellite Tuning** (Συντ. δορ.), στη συνέχεια πιέστε **OK/>** για να εμφανιστεί το στοιχείο **SATELLITE TUNING** (Συντ. δορ.). Ρυθμίστε τις κατάλληλες πληροφορίες. Επιλέξτε **Scan** (Σάρωση) και πατήστε **OK/>** για να ξεκινήσει η αρχική ρύθμιση σχετικά με όλα τα δορυφορικά κανάλια.

Σημείωση: Αυτή η επιλογή μπορεί να μην είναι διαθέσιμη σε ορισμένα μοντέλα.

4. Η αναζήτηση μπορεί να διαρκέσει κάποια λεπτά. Κατά τη διάρκεια της Αναζήτησης, μπορείτε να πιέσετε **EXIT** για να ακυρώσετε τη διαδικασία.
5. Όταν τελειώσει η αυτόματη αναζήτηση, πιέστε το **BACK** για να επιστρέψετε στην προηγούμενη διαδικασία ή πιέστε **OK** για να επανεκκινήσετε τη διαδικασία αναζήτησης καναλιών.
6. Μόλις ολοκληρωθεί η αυτόματη αναζήτηση, τα κανάλια ταξινομούνται με προκαθορισμένη σειρά. Μπορείτε να παρακάμψετε κανάλια, να τροποποιήσετε την προκαθορισμένη σειρά ή να τα μετονομάσετε.

Χρήση της τηλεόρασης Πρόσβαση στα κανάλια

Χρησιμοποιώντας τα αριθμητικά

πλήκτρα: Πιέστε τα αντίστοιχα αριθμητικά πλήκτρα για να διαλέξετε κανάλια.

Χρησιμοποιώντας τα πλήκτρα CH+/- ή CHΛ/V: Εναλλάσσετε μεταξύ των καναλιών.

Προβολή από τις συνδεδεμένες συσκευές

Πατήστε παρατεταμένα **SOURCE** στο τηλεχειριστήριο ή **OK** στην τηλεόραση για να πραγματοποιήσετε εναλλαγή από την τηλεόραση σε άλλες πηγές εισόδου. Για να επαναφέρετε την κατάσταση προβολής προγράμματος στην τηλεόραση, πιέστε οποιοδήποτε πλήκτρο για να δείτε το αντίστοιχο κανάλι. Το πλήκτρο **CH+/-** εναλλάσσει κυκλικά μεταξύ όλων των καναλιών και άλλων πηγών εισόδου.
*Σημείωση: Δεν διαθέτουν όλα τα μοντέλα το κουμπί **OK** στη συσκευή.*

Ένταση ήχου

Έλεγχος έντασης ήχου: χρησιμοποιήστε τα κουμπιά **VOL</>** της τηλεόρασης ή τα κουμπιά **VOL+/-** του τηλεχειριστηρίου για να αυξήσετε ή να μειώσετε την ένταση του ήχου.

Απομόνωση ήχου: Πιέστε το πλήκτρο **MUTE** για να απομονώσετε τον ήχο προσωρινά.

Πιέστε το ίδιο πλήκτρο ξανά για να επαναφέρετε τον ήχο. Ή χρησιμοποιήστε το πλήκτρο **VOL+**.

Χρήση των μενού της τηλεόρασης

1. Πιέστε **MENU** για να εμφανιστεί το κεντρικό μενού. (Δείτε την Εικόνα 3.)
2. Πιέστε **Λ/V/</>** για να επιλέξετε την ενότητα που επιθυμείτε, και στη συνέχεια πιέστε το πλήκτρο **OK** για να ανοίξετε το αντίστοιχο υπομενού.
3. Στα υπομενού, χρησιμοποιήστε τα πλήκτρα **Λ/V** για να επιλέξετε υπομενού, και τα πλήκτρα **</>** για να ρυθμίσετε λειτουργίες ή να αλλάξετε τιμές. Πιέστε **OK** για να ενεργοποιήσετε μία ρύθμιση. Χρησιμοποιήστε το πλήκτρο **OK/>** για να ανοίξετε το αντίστοιχο υπομενού.
4. Πιέστε **BACK** για να επιστρέψετε στο προηγούμενο μενού.
5. Πιέστε **EXIT** για να κλείσετε το μενού.

Σημείωση: Ορισμένες επιλογές ενδέχεται να μην είναι διαθέσιμες για συγκεκριμένες πηγές σήματος.

Επιλογή γλώσσας μενού

Μπορείτε να επιλέξετε την προτιμώμενη γλώσσα μενού ακολουθώντας τις παρακάτω οδηγίες.

1. Πιέστε **MENU** για να εμφανιστεί το κεντρικό μενού.
2. Πιέστε **Λ/V/</>** για να επιλέξετε **SETUP** (Ρύθμιση) και πιέστε **OK** για να ξεκινήσετε.
3. Επιλέξτε **Language** (Γλώσσα) και πατήστε **OK/>** για να την καταχωρήσετε.
4. Επιλέξτε **Menu Language** (Γλώσσα μενού) και πιέστε **</>** για να επιλέξετε τη γλώσσα που επιθυμείτε για την προβολή των μενού.
5. Πιέστε **EXIT** για να κλείσετε το μενού.

Αξιοποίηση της τηλεόρασης Ρύθμιση των αγαπημένων καναλιών

Μπορείτε να δημιουργήσετε μια λίστα με τα αγαπημένα σας τηλεοπτικά κανάλια.

1. Πιέστε **CH.LIST**.
2. Πιέστε το Κίτρινο Πλήκτρο για να μπειτε στο μενού **CHANNEL LIST SELECTION** (Λίστες καναλιών).
Πιέστε **Λ/Υ** για να επιλέξετε λίστα αγαπημένων και, στη συνέχεια, πιέστε **OK** για είσοδο.
3. Πιέστε το μπλε πλήκτρο για να διαμορφώσετε τη λίστα με τα αγαπημένα σας. Πιέστε **Λ/Υ** για μετακίνηση πάνω/κάτω στη λίστα καναλιών και πιέστε **OK** για να επιλέξετε ή αποεπιλέξετε κανάλι.
4. Επαναλάβετε τη διαδικασία για να ρυθμίσετε και άλλα αγαπημένα κανάλια.
5. Πιέστε **CH.IST/EXIT** για να βγείτε από το πρόγραμμα.

Εξοικονόμηση ενέργειας

1. Πιέστε **MENU** από το τηλεχειριστήριο και επιλέξτε **PICTURE > ECO Settings > Energy Saving** (ΕΙΚΟΝΑ > Ρυθμίσεις ECO > Εξοικονόμηση ενέργειας).
2. Πιέστε **</>** για να επιλέξετε την επιθυμητή λειτουργία εξοικονόμησης ενέργειας και να επιτύχετε το επιθυμητό αποτέλεσμα εξοικονόμησης ενέργειας.
3. Πιέστε **EXIT** για να κλείσετε το μενού.

Λειτουργία συντόμησης: Πιέστε **ECO** από το τηλεχειριστήριο για να επιλέξετε απευθείας την επιθυμητή λειτουργία εξοικονόμησης ενέργειας.

Λειτουργία PAP

Εμφανίζει τις εικόνες από διαφορετικές πηγές εισόδου δίπλα-δίπλα. Σημειώστε ότι ένα παράθυρο χρησιμοποιείται για αναλογικές και ψηφιακές εισόδους, και το άλλο για εισόδους VGA, HDMI και CMP. (Σημείωση: Δεν διατίθεται για καλώδιο AV-Scart και στα δύο παράθυρα.)

1. Πιέστε **MENU** για να εμφανίσετε το κεντρικό μενού.
2. Διαλέξτε **PAP** και πιέστε **OK** για να ξεκινήσετε.
3. Διαλέξτε την επιλογή **PAP** και πιέστε **</>** για να ενεργοποιήσετε/απενεργοποιήσετε τη λειτουργία PAP.
4. Επιλέξτε **TV Position** (Θέση Τηλεόρασης), πιέστε **</>** για να μετακινήσετε το παράθυρο της οθόνης.
5. Πιέστε **</>** για να ενεργοποιήσετε το παράθυρο της εστίασης.
6. Όταν η εστίαση βρίσκεται στο παράθυρο της τηλεόρασης, τα πλήκτρα ψηφίων και το **CH+/-** λειτουργούν

για την τηλεόραση. Όταν η εστίαση βρίσκεται στο άλλο παράθυρο, το **CH+/-** εξυπηρετεί στην εναλλαγή των διαθέσιμων εξωτερικών πηγών.

Χρήση υποτίτλων

Μπορείτε να ενεργοποιήσετε τους υπότιτλους για όλα τα κανάλια. Οι υπότιτλοι λειτουργούν μέσω της λειτουργίας Teletext ή μέσω των ψηφιακών εκπομπών DVB-T/DVB-C. Με τις ψηφιακές εκπομπές, μπορείτε επίσης να επιλέξετε την επιθυμητή γλώσσα υποτίτλων.

Ενεργοποίηση/Απενεργοποίηση υποτίτλων

1. Πιέστε **MENU** στο τηλεχειριστήριο και επιλέξτε **OPTIONS > Subtitle** (Επιλογές > Υπότιτλοι).
2. Πιέστε **OK/>** για να συνεχίσετε. (Δείτε την Εικόνα 4.)
3. Επιλέξτε την επιλογή **Subtitle** (Υπότιτλοι), και πιέστε **</>** για να διαλέξετε **On/Off** (Εντός Λειτουργ./Εκτός Λειτουργ.) και να ενεργοποιήσετε/απενεργοποιήσετε τους υπότιτλους.

Ενεργοποίηση γλώσσας υποτίτλων στα ψηφιακά κανάλια

1. Πιέστε **MENU** στο τηλεχειριστήριο και διαλέξτε **OPTIONS > Subtitle > Digital Subtitle Language** (Επιλογές > Υπότιτλοι > Γλώσσα Ψηφιακών Υποτίτλων).
 2. Πιέστε **</>** για να επιλέξετε τη γλώσσα προβολής των υποτίτλων.
 3. Πιέστε **Λ/Υ** για να διαλέξετε την **Digital Subtitle Language 2nd** (2η Γλώσσα Ψηφιακών Υποτίτλων).
 4. Πιέστε **</>** για να διαλέξετε τη δευτερεύουσα γλώσσα υποτίτλων.
 5. Πιέστε **EXIT** για να κλείσετε το μενού.
- Λειτουργία συντόμησης:** Πιέστε **SUBT** στο τηλεχειριστήριο για να διαλέξετε απευθείας τη γλώσσα υποτίτλων για το επιλεγμένο ψηφιακό κανάλι.

Επιλογή τύπου υποτίτλων για τα ψηφιακά κανάλια

1. Πιέστε **MENU** στο τηλεχειριστήριο και διαλέξτε **OPTIONS > Subtitle > Subtitle Type** (Επιλογές > Υπότιτλοι > Τύπος Υποτίτλων).
2. Πιέστε **</>** για να επιλέξετε τύπο υποτίτλων. Μπορείτε να επιλέξετε **Hearing Impaired** (Ασθενή Ακοή) για

να προβάλετε υπότιτλους για άτομα με ασθενή ακοή στην επιλεγμένη γλώσσα.

Επιλογή σελίδας γλώσσας αποκωδικοποίησης στο Teletext

Πιέστε **MENU** στο τηλεχειριστήριο και επιλέξτε **OPTIONS > Teletext > Decoding Page Language** (Επιλογές > Teletext > Γλώσσα Αποκωδικοποίησης Σελίδας). Επιλέξτε τον κατάλληλο τύπο γλώσσας στον οποίο θα προβληθεί το Teletext.

Γλώσσα ψηφιακού Teletext

Στην περίπτωση των ψηφιακών καναλιών, η τηλεόρασή σας προσφέρει τη δυνατότητα προβολής της αρχικής σελίδας του Teletext σε διαφορετικές γλώσσες. Η συγκεκριμένη λειτουργία σας επιτρέπει να επιλέγετε μία από τις διαθέσιμες γλώσσες ως κύρια γλώσσα για τις διάφορες αρχικές σελίδες του Teletext.

Πιέστε **MENU** στο τηλεχειριστήριο και επιλέξτε **OPTIONS > Teletext > Digital teletext language** (Επιλογές > Teletext > Γλώσσα Ψηφιακού Teletext). Πιέστε **</>** για επιλογή.

Τύπος SPDIF

Πραγματοποιήστε σύνδεση με μια συσκευή ήχου μέσω της εξόδου **SPDIF**. Πατήστε το **MENU** στο τηλεχειριστήριο και επιλέξτε **OPTIONS > SPDIF Type** (Επιλογές > Τύπος SPDIF). Επιλέξτε τον κατάλληλο τύπο ήχου από τη λίστα για τα ψηφιακά προγράμματα.

- Εάν η έξοδος του ήχου του τρέχοντος προγράμματος είναι σε μορφή **Dolby D**, μπορείτε να επιλέξετε **PCM** ή **Dolby D**.
- Εάν το τρέχον πρόγραμμα δεν εξάγει ήχο σε μορφή **Dolby D**, μπορείτε να επιλέξετε μόνο **PCM**. Σε διαφορετική περίπτωση δε θα ακούγεται ήχος.
- Επιλέξτε τη θέση **Off** (Εκτός Λειτουργ.) για να απενεργοποιήσετε την έξοδο ήχου από την ηχητική συσκευή που είναι συνδεδεμένη στην έξοδο **SPDIF**.

*Σημείωση: Οι επιλογές που ενδέχεται να επιλέξετε εξαρτώνται από το πρόγραμμα που παροκολουθείτε. Εάν επιλέξετε **PCM** και ο ήχος προηγείται της εικόνας, μπορείτε να επιλέξετε **SPDIF Delay** (Καθυστέρηση SPDIF) από το μενού **OPTIONS** (Επιλογές) και να πιέσετε **</>** για να ρυθμίσετε το χρόνο καθυστέρησης, ώστε να συγχρονίσετε τον ήχο με την εικόνα.*

T-Link

Για αναζήτηση συσκευών CEC που είναι συνδεδεμένες στις υποδοχές HDMI στην τηλεόρασή σας, και ενεργοποίηση αναπαραγωγής και αναμονής απλής αφής για τις συσκευές CEC.

Ενεργοποίηση ή απενεργοποίηση του T-Link

1. Πιέστε **MENU** στο τηλεχειριστήριο και επιλέξτε **OPTIONS > T-Link** (Επιλογές > T-link).
2. Πιέστε **</>** για να επιλέξετε **On** (Εντός Λειτουργ.) ή **Off** (Εκτός Λειτουργ.).

Χρήση αναπαραγωγής απλής αφής

Η λειτουργία απλής αφής σας επιτρέπει να πιέσετε, για παράδειγμα, το πλήκτρο play στο τηλεχειριστήριο του DVD. Με αυτό τον τρόπο ξεκινάει η αναπαραγωγή από το DVD και η τηλεόρασή σας μεταβαίνει αυτόματα στη σωστή πηγή, προβάλλοντας το περιεχόμενο του DVD.

Χρήση αναμονής συστήματος

Όταν το σύστημα είναι σε αναμονή, μπορείτε, για παράδειγμα, να πιέσετε το πλήκτρο ψ στο τηλεχειριστήριο της τηλεόρασής σας. Με αυτό τον τρόπο η τηλεόρασή σας και οι συνδεδεμένες συσκευές HDMI μπαίνουν σε κατάσταση αναμονής.

Ενημέρωση διαδικτύου

- Πιέστε **MENU** στο τηλεχειριστήριο και, στη συνέχεια, επιλέξτε **OPTIONS > Network Update** (Επιλογές > Ενημέρωση Διαδικτύου). Επιλέξτε **On/off** (Εντός Λειτουργ./Εκτός Λειτουργ.) για να ενεργοποιήσετε ή να απενεργοποιήσετε τη λειτουργία Ενημέρωσης διαδικτύου.
- Όταν αυτή η λειτουργία είναι ενεργοποιημένη, η τηλεόραση ενημερώνει αυτόματα τα κανάλια κάθε φορά που ο παροχέας υπηρεσιών DTV ενημερώνει το δίκτυο DTV.
 - Όταν αυτή η λειτουργία είναι απενεργοποιημένη, θα πρέπει να προβείτε εκ νέου σε αναζήτηση καναλιών για να λάβετε τα νέα κανάλια ή να αφαιρέσετε τα μη διαθέσιμα κανάλια, εάν ο παροχέας υπηρεσιών DTV προσθέσει ή αφαιρέσει κανάλια στο δίκτυο DTV.

Κοινή διασύνδεση

Τα κρυπτογραφημένα ψηφιακά κανάλια αποκωδικοποιούνται με τη χρήση μονάδας κοινής διασύνδεσης και κάρτας που παρέχεται από τον πάροχο υπηρεσιών ψηφιακής τηλεόρασης.

Η μονάδα κοινής διασύνδεσης μπορεί να ενεργοποιήσει αρκετές ψηφιακές υπηρεσίες, ανάλογα με τον φορέα και τις υπηρεσίες που έχετε διαλέξει (για παράδειγμα, payTV). Επικοινωνήστε με τον πάροχο υπηρεσιών ψηφιακής τηλεόρασης για περισσότερες πληροφορίες σχετικά με τους Όρους και τις Προϋποθέσεις.

Χρήση της μονάδας κοινής διασύνδεσης ΠΡΟΣΟΧΗ: Σβήστε την τηλεόραση σας πριν συνδέσετε τη μονάδα κοινής διασύνδεσης. Ακολουθήστε τις οδηγίες που περιγράφονται παρακάτω. Η λάθος σύνδεση της μονάδας κοινής διασύνδεσης μπορεί να προκαλέσει ζημιά στην τηλεόραση και τη μονάδα σας.

1. Ακολουθήστε τις οδηγίες που είναι τυπωμένες στη μονάδα κοινής διασύνδεσης και συνδέστε με προσοχή τη μονάδα στην αντίστοιχη υποδοχή στην τηλεόραση.
2. Πιέστε τη μονάδα όσο πιο βαθιά γίνεται.
3. Ανάψτε την τηλεόραση και περιμένετε μέχρι να ενεργοποιηθεί η λειτουργία κοινής διασύνδεσης. Μπορεί να διαρκέσει αρκετά λεπτά.

Σημείωση: Μην αφαιρέσετε τη μονάδα κοινής διασύνδεσης από την υποδοχή. Η αφαίρεση της θα προκαλέσει απενεργοποίηση των ψηφιακών υπηρεσιών.

Πρόσβαση στις υπηρεσίες κοινής διασύνδεσης

Αφού έχετε συνδέσει και ενεργοποιήσει τη μονάδα κοινής διασύνδεσης, πιέστε το **MENU** στο τηλεχειριστήριο και επιλέξτε **OPTIONS > Common Interface** (Επιλογές > Κοινή Διασύνδεση). Το μενού εμφανίζεται μόνο εάν η μονάδα έχει συνδεθεί και ενεργοποιηθεί σωστά. Οι εφαρμογές και το περιεχόμενο επί της οθόνης παρέχονται από τον πάροχο υπηρεσιών ψηφιακής τηλεόρασης.

Ενημέρωση λογισμικού

Πιέστε **MENU** στο τηλεχειριστήριο και επιλέξτε **OPTIONS > Software Update**

(Επιλογές > Ενημέρωση Λογισμικού). Πιέστε **OK/>** για να συνεχίσετε.

- **Current Version** (Τρέχουσα Έκδοση): Ελέγχει την τρέχουσα έκδοση του λογισμικού.
- **Product Name** (Όνομα προϊόντος): Εμφανίζει το όνομα προϊόντος της συσκευής σας.
- **Serial Number** (Σειριακός αριθμός) (αν είναι διαθέσιμος): Εμφανίζει τον σειριακό αριθμό της συσκευής σας.
- **By Network** (Μέσω δικτύου): Σας παρέχει τη δυνατότητα λήψης και εγκατάστασης της πιο πρόσφατης έκδοσης από το διαδίκτυο. Βεβαιωθείτε αρχικά ότι έχετε ρυθμίσει ενσύρματης ή ασύρματη σύνδεση δικτύου και, στη συνέχεια, επιλέξτε **By Network** (Μέσω δικτύου) και πατήστε **OK/>** για είσοδο. Ακολουθήστε τις οδηγίες στην οθόνη για να συνεχίσετε.
Σημείωση: Συνδέστε μια συσκευή USB στην τηλεόρασή σας πριν ξεκινήσετε την ενημέρωση λογισμικού.
- **By Channel** (Από κανάλι): Σας παρέχει τη δυνατότητα εγκατάστασης της πιο πρόσφατης έκδοσης του λογισμικού, αν είναι διαθέσιμη. Επιλέξτε **By Channel** (Από κανάλι) και πιέστε **OK/>** για να συνεχίσετε.
- Χρησιμοποιήστε τα κουμπιά **</>** για να επιλέξετε **Yes** (ΝΑΙ) στο στοιχείο **Auto Download** (Αυτόματη λήψη) ώστε να πραγματοποιήσετε λήψη της πιο πρόσφατης έκδοσης του λογισμικού, αν είναι διαθέσιμη, αυτόματα. Μετά τη λήψη του λογισμικού, θα σας ζητηθεί να αποφασίσετε αν θέλετε να το εγκαταστήσετε αμέσως. Αν ναι, ακολουθήστε τις οδηγίες στην οθόνη για να ολοκληρώσετε την εγκατάσταση. Μπορείτε επίσης να επιλέξετε να μην πραγματοποιήσετε εγκατάσταση αμέσως.
 - Επιλέξτε **No** (ΟΧΙ) στο στοιχείο **Auto Download** (Αυτόματη λήψη) για να απορρίψετε την αυτόματη λήψη.
 - Επιλέξτε **Manual Download** (Μη αυτόματη λήψη) και πιέστε **OK/>** για να ξεκινήσετε τη διαδικασία αυτόματης σάρωσης της πιο πρόσφατης έκδοσης λογισμικού. Ακολουθήστε τις οδηγίες στην οθόνη για να ολοκληρώσετε τη διαδικασία. Όταν εκτελείται η σάρωση, πιέστε

OK/EXIT για να ακυρώσετε τη διαδικασία ή να βγείτε από το μενού.

Αλλαγή σε λειτουργία Κατάστημα ή Σπίτι

1. Πιέστε **MENU** στο τηλεχειριστήριο και επιλέξτε **OPTIONS > LOCATION** (Επιλογές > Τοποθεσία).
2. Πιέστε **</>** για να επιλέξετε τοποθεσία **Shop** (Κατάστημα) ή **Home** (Σπίτι).
3. Πιέστε **EXIT** για έξοδο.

*Σημείωση: Σύμφωνα με τον κανονισμό της Ευρωπαϊκής Επιτροπής 2009/125/EE, όταν η τηλεόραση βρίσκεται σε λειτουργία Σπίτι, εισέρχεται αυτόματα σε κατάσταση αναμονής εάν δεν υπάρξει καμία ενέργεια για 4 ώρες. Μπορείτε να απενεργοποιήσετε αυτό το χαρακτηριστικό από το μενού **OPTIONS** (Επιλογές).*

Λειτουργία MHEG

Κάποια ψηφιακά κανάλια προσφέρουν ψηφιακό κείμενο ή διαδραστικές υπηρεσίες (για παράδειγμα, BBC1). Οι συγκεκριμένες υπηρεσίες λειτουργούν όπως το κανονικό teletext με την προσθήκη αριθμών, χρώματος και πλήκτρων πλοήγησης.

1. Πιέστε **MENU** στο τηλεχειριστήριο και επιλέξτε **OPTIONS > LOCATION** (Επιλογές > Τοποθεσία).
2. Πιέστε **</>** για να ρυθμίσετε τους υπότιτλους **Subtitle** (Υπότιτλοι) στη θέση **Off** (Εκτός Λειτουργ.).
*Σημείωση: Το MHEG και οι υπότιτλοι δεν μπορούν να συνυπάρχουν ταυτόχρονα στην οθόνη. Εάν η λειτουργία **Subtitle** (Υπότιτλοι) είναι ρυθμισμένη στη θέση **On** (Σε λειτουργ.), το MHEG δεν εμφανίζεται.*
3. Πιέστε το κόκκινο κουμπί ή **TEXT** (ΚΕΙΜΕΝΟ) στο τηλεχειριστήριο.
4. Πιέστε **▲/▼/◀/▶** για να επιλέξετε ή να υπογραμμίσετε αντικείμενα στο μενού.
5. Πιέστε **OK** για επιβεβαίωση ή ενεργοποίηση.
6. Πιέστε ένα από τα χρωματιστά πλήκτρα για να διαλέξετε επιλογή.
7. Πιέστε **TEXT** ή **EXIT** για έξοδο.

Προβολή φωτογραφιών, αναπαραγωγή μουσικής και παρακολούθηση βίντεο από τη συσκευή αποθήκευσης USB

Η τηλεόρασή σας είναι εφοδιασμένη με υποδοχή USB που σας επιτρέπει να εμφανίζετε εικόνες, να ακούτε μουσική ή να παρακολουθείτε βίντεο που είναι

αποθηκευμένα στην αποθηκευτική συσκευή USB.

Υποστηριζόμενοι τύποι αρχείων:

Φωτογραφίες	JPEG
Μουσική	MP3
Βίντεο	AVI, MP4, MPG, MPEG, TS, DIVX, MKV...

Σημείωση: ορισμένες συσκευές USB και προϊόντα USB, όπως ψηφιακές κάμερες ή κινητά τηλέφωνα, δεν είναι πλήρως συμβατές με το πρότυπο USB 2.0, με αποτέλεσμα να μην λειτουργούν με τη συσκευή αναπαραγωγής πολυμέσων της τηλεόρασης. Δεν είναι όλες οι συσκευές USB συμβατές με τη λειτουργία USB. Δεν υποστηρίζονται όλες οι παραπάνω μορφές. Οι μορφές κωδικοποίησης των αρχείων σας καθορίζουν τη δυνατότητα χρήσης τους ή μη.

Εφόσον έχει συνδεθεί κάποια συσκευή USB, επιλέξτε **MEDIA** (Πολυμέσα) από το κύριο μενού και πιέστε **OK** για είσοδο.

Φωτογραφίες

Για την εμφάνιση φωτογραφιών, αν είναι διαθέσιμες,

1. Επιλέξτε **MEDIA > PHOTO** (Πολυμέσα > Φωτογραφία) και, στη συνέχεια, πιέστε **OK** για να προχωρήσετε στο κύριο πρόγραμμα αναζήτησης περιεχομένου αρχείων.
2. Στο κύριο πρόγραμμα αναζήτησης περιεχομένου αρχείων, χρησιμοποιήστε τα κουμπιά **▲/▼/◀/▶** για να επιλέξετε μια φωτογραφία ή έναν εσωτερικό φάκελο αρχείων.
3. Επιλέξτε έναν εσωτερικό φάκελο αρχείων, πατήστε **OK** για να προσπελάσετε το δευτερεύοντα φυλλομετρητή περιεχομένων ενός αρχείου.
4. Χρησιμοποιήστε τα κουμπιά **▲/▼/◀/▶** για να επιλέξετε μια φωτογραφία είτε στην κύρια αναζήτηση περιεχομένου αρχείων είτε στη δευτερεύουσα, πιέστε το **MENU** για να εμφανιστεί το μενού φωτογραφιών στη λειτουργία φακέλων.
 - **Sort** (Ταξινόμηση): Ταξινομήστε τους φακέλους και τις φωτογραφίες ανά Ημερομηνία τροποποίησης ή Όνομα.
 - **Edit** (Επεξεργασία): Αντιγράψτε, επικολλήστε ή διαγράψτε μια επιλεγμένη φωτογραφία.
 - **Parser** (Πρόγραμμα ανάλυσης): Μπορείτε να επιλέξετε **Recursive**

(Αναδρομικό) για να εμφανίσετε φωτογραφίες από όλους τους δευτερεύοντες φακέλους αρχείων.

5. Επιλέξτε μια φωτογραφία, πατήστε **OK** για να την εμφανίσετε και να ξεκινήσει μια παρουσίαση από την επιλεγμένη φωτογραφία. Πατήστε **▶▶** για να σταματήσει η προβολή της φωτογραφίας αν θέλετε να περιστρέψετε αυτή τη φωτογραφία. Πατήστε **MENU** για να εμφανίσετε το μενού φωτογραφιών στην κατάσταση προγράμματος περιήγησης. Μπορείτε να αναπαράξετε, να σταματήσετε ή να περιστρέψετε τη φωτογραφία, να επιλέξετε την κατάσταση αναπαραγωγής και το εφέ εμφάνισης κ.λπ.
6. Πιέστε τα σχετικά κουμπιά στο τηλεχειριστήριο για να εκτελέσετε τις διαθέσιμες λειτουργίες που εμφανίζονται στη γραμμή λειτουργιών στο κάτω μέρος της οθόνης της τηλεόρασης.

Μουσική

Για την αναπαραγωγή μουσικής εάν είναι διαθέσιμη.

1. Επιλέξτε **MEDIA > MUSIC** (Πολυμέσα > Μουσική), και στη συνέχεια πιέστε το πλήκτρο **OK** για να ξεκινήσετε την πλοήγηση του κεντρικού αρχείου περιεχομένων.
2. Χρησιμοποιήστε τα κουμπιά **▲/▼/◀/▶** για να επιλέξετε ένα τραγούδι είτε στην κύρια αναζήτηση περιεχομένου αρχείων είτε στη δευτερεύουσα με τον ίδιο τρόπο που επιλέξατε στη λειτουργία εμφάνισης φωτογραφιών, πιέστε το **MENU** για να εμφανίσετε το μενού μουσικής στη λειτουργία φακέλων.
 - **Sort** (Ταξινόμηση): Ταξινομήστε φακέλους και τραγούδι ανά Όνομα, Είδος, Καλλιτέχνη ή Άλμπουμ.
 - **Edit** (Επεξεργασία): Αντιγράψτε, επικολλήστε ή διαγράψτε ένα επιλεγμένο τραγούδι.
 - **Parser** (Πρόγραμμα ανάλυσης): Μπορείτε να επιλέξετε **Recursive** (Αναδρομικό) για να εμφανίσετε τραγούδια από όλους τους δευτερεύοντες φακέλους αρχείων.
3. Επιλέξτε τραγούδι, πιέστε **OK** για αναπαραγωγή, και παρακολουθήστε την αναπαραγωγή να ξεκινάει από το επιλεγμένο τραγούδι. Πιέστε το **MENU** για να εμφανιστεί το μενού μουσικής

στην κατάσταση αναζήτησης. Μπορείτε να αναπαράξετε ή να διακόψετε προσωρινά το τραγούδι, να επιλέξετε διαφορετική κατάσταση αναπαραγωγής, κ.λπ.

- **Show Lyrics** (Προβολή στίχων): Αυτή η επιλογή διατίθεται για τα τραγούδια που έχουν στίχους. Επιλέξτε αυτήν τη λειτουργία και χρησιμοποιήστε τα πλήκτρα **</>** για να ενεργοποιήσετε/απενεργοποιήσετε τη συγχρονισμένη προβολή των στίχων.
 - **Audio Only** (Μόνο ήχος): Επιλέξτε και πατήστε **OK** για να ακούσετε μουσική με την οθόνη να είναι απενεργοποιημένη. Αν πατήσετε οποιοδήποτε πλήκτρο θα ενεργοποιηθεί η οθόνη.
4. Πιέστε τα σχετικά κουμπιά στο τηλεχειριστήριο για να εκτελέσετε τις διαθέσιμες λειτουργίες που εμφανίζονται στη γραμμή λειτουργιών στο κάτω μέρος της οθόνης της τηλεόρασης.

Βίντεο

Για την παρακολούθηση βίντεο, εάν είναι διαθέσιμο.

1. Επιλέξτε **MEDIA > VIDEO** (Πολυμέσα > Βίντεο) και, στη συνέχεια, πιέστε το πλήκτρο **OK** για να ξεκινήσετε την πλοήγηση στα περιεχόμενα του κύριου αρχείου.
2. Χρησιμοποιήστε τα κουμπιά **▲/▼/◀/▶** για να επιλέξετε ένα βίντεο είτε στην κύρια αναζήτηση περιεχομένου αρχείων είτε στη δευτερεύουσα με τον ίδιο τρόπο που επιλέξατε στη λειτουργία εμφάνισης φωτογραφιών, πιέστε το **MENU** για να εμφανίσετε το μενού βίντεο στη λειτουργία φακέλων.
 - **Sort** (Ταξινόμηση): Ταξινομήστε τους φακέλους και τα βίντεο ανά Τύπο, Ημερομηνία τροποποίησης ή Όνομα.
 - **Edit** (Επεξεργασία): Αντιγράψτε, επικολλήστε ή διαγράψτε ένα επιλεγμένο βίντεο.
 - **Parser** (Πρόγραμμα ανάλυσης): Μπορείτε να επιλέξετε **Recursive** (Αναδρομικό) για να εμφανίσετε βίντεο από όλους τους δευτερεύοντες φακέλους αρχείων.
3. Επιλέξτε βίντεο, πιέστε **OK** για να το παρακολουθήσετε, και η αυτόματη αναπαραγωγή ξεκινάει για το

επιλεγμένο βίντεο. Πιέστε το **MENU** για να εμφανιστεί το μενού βίντεο στην κατάσταση αναζήτησης. Μπορείτε να αναπαράξετε ή να διακόψετε προσωρινά το βίντεο, να επιλέξετε διαφορετική κατάσταση αναπαραγωγής, κατάσταση οθόνης και προεπιλεγμένες ρυθμίσεις εικόνας κ.λπ..

4. Πιέστε τα σχετικά κουμπιά στο τηλεχειριστήριο για να εκτελέσετε τις διαθέσιμες λειτουργίες που εμφανίζονται στη γραμμή λειτουργιών στο κάτω μέρος της οθόνης της τηλεόρασης.

Βίντεο DivX

(* δεν είναι διαθέσιμο σε ορισμένα μοντέλα)
ΣΧΕΤΙΚΑ ΜΕ ΤΟ BINTEO DIVX: Το DivX® είναι μια μορφή ψηφιακού βίντεο που έχει δημιουργηθεί από την DivX, Inc. Αυτή η συσκευή είναι επίσημα πιστοποιημένη από τη DivX (DivX Certified®) και υποστηρίζει την αναπαραγωγή βίντεο DivX. Επισκεφτείτε τη σελίδα divx.com για περισσότερες πληροφορίες και για εργαλεία λογισμικού για να μετατρέψετε τα αρχεία σας σε βίντεο DivX.

ΣΧΕΤΙΚΑ ΜΕ ΤΟ DIVX BINTEO – ΚΑΤΟΠΙΝ – ΖΗΤΗΣΗΣ (Video On Demand): Αυτή η πιστοποιημένη από τη DivX συσκευή (DivX Certified®) πρέπει να εγγραφεί, ώστε να μπορεί να αναπαράγει ταινίες DivX που έχουν αγοραστεί κατόπιν ζήτησης (VOD)

Αποκτήστε τον κωδικό εγγραφής σας:

- Πιέστε το **MENU** στο τηλεχειριστήριο.
- Επιλέξτε **OPTIONS > DivX(R) Registration** [Επιλογές > Εγγραφή σε DivX(R)].
- Πιέστε **OK/>** και θα εμφανιστεί ο κωδικός εγγραφής σας.

Πηγαίστε στο vod.divx.com για περισσότερες πληροφορίες σχετικά με το πώς θα συμπληρώσετε την εγγραφή σας.

Κατάργηση εγγραφής της τηλεόρασής σας:

Αν θέλετε να καταργήσετε την εγγραφή της τηλεόρασής σας,

- Πιέστε το **MENU** στο τηλεχειριστήριο.
- Επιλέξτε **OPTIONS > DivX(R) deregistration** [Επιλογές > Κατάργηση εγγραφής DivX(R)].
- Πιέστε **OK/>** και ένα μήνυμα θα σας καθοδηγήσει.

Τα DivX®, DivX Certified®, DivX Plus™ HD και τα σχετικά λογότυπα είναι σήματα κατατεθέν τα της DivX, Inc. και χρησιμοποιούνται κατόπιν άδειας.

Εντοπισμός ώρας

Ο χρήστης μπορεί να δει την πραγματική ώρα από τα ψηφιακά κανάλια, ακολουθώντας τις παρακάτω λειτουργίες.

1. Πιέστε το **MENU** στο τηλεχειριστήριο και επιλέξτε **OPTIONS > Timer > Clock > Auto synchronization** (Επιλογές > Χρονοδιακόπτης > Ρολόι > Αυτ. συγχρονισμός).
2. Πιέστε **</>** και διαλέξτε τη θέση **On** (Εντός Λειτουργ.).

Καταχώρηση αποκωδικοποιητή καναλιού

Οι αποκωδικοποιητές αναλογικών καναλιών μπορούν να συνδεθούν στη διασύνδεση AV. Καταχωρήστε το κανάλι σαν κανάλι προς αποκωδικοποίηση. Στη συνέχεια καταχωρήστε τη σύνδεση στην οποία είναι συνδεδεμένος ο αποκωδικοποιητής.

1. Πιέστε **MENU** στο τηλεχειριστήριο και επιλέξτε **SETUP > Decode** (Ρύθμιση > Αποκωδικοποίηση).
2. Πιέστε **OK/>** για να μπειτε στη λίστα.
3. Πιέστε **▲/▼** για να επιλέξετε κανάλι αποκωδικοποίησης.
4. Πιέστε **OK** για να επιλέξετε/αποεπιλέξετε το κανάλι.
5. Πιέστε **BACK** για να επιστρέψετε στο προηγούμενο μενού.

Διαγνωστικά των ψηφιακών καναλιών

1. Πιέστε **MENU** στο τηλεχειριστήριο και επιλέξτε **SETUP > Diagnostics** (Διαμόρφωση > Διαγνωστικά).
2. Πιέστε **OK/>** για να εμφανίσετε τις πληροφορίες σήματος του τρέχοντος ψηφιακού καναλιού, όπως τη δύναμη του σήματος, τη συχνότητα, κτλ.

Χρονική μετατόπιση

Σας επιτρέπει να κάνετε παύση και να γυρίζετε πίσω ή μπροστά ένα πρόγραμμα. Βεβαιωθείτε ότι έχετε συνδέσει κάποιο στικ μνήμης USB την πρώτη φορά που θα χρησιμοποιήσετε αυτή τη λειτουργία.

Σημείωση: Λόγω συγκεκριμένων εγχώριων απαιτήσεων, η λειτουργία Χρονικής μετατόπισης δεν ισχύει για τη Φινλανδία.

1. Πιέστε **MENU** στο τηλεχειριστήριο και επιλέξτε **SETUP > Time Shift**

(Ρύθμιση > Χρονική μετατόπιση).

2. Πιέστε **</>** για να επιλέξετε **On** (Εντός Λειτουργ.) για να ξεκινήσει η λειτουργία χρονικής μετατόπισης, κατόπιν πιέστε **EXIT** για να κλείσετε το μενού.
3. Πιέστε **OPTION** στο τηλεχειριστήριο και επιλέξτε **Time Shift** (Χρονική μετατόπιση) και κατόπιν πιέστε **OK** για επιβεβαίωση.
4. Ακολουθήστε τις οδηγίες στην οθόνη για να κάνετε τις ρυθμίσεις.
5. Αφού έχει γίνει η ρύθμιση του δίσκου, πιέστε **OPTION** και επιλέξτε **Time Shift** (Αλλαγή ώρας).
6. Πιέστε **OK** για να προβληθεί το μενού χρονικής μετατόπισης.
 - Πιέστε το κουμπί **▶▶** για παύση της εικόνας και εκκίνηση της χρονικής μετατόπισης.
 - Πιέστε το κουμπί **▶▶** για αναπαραγωγή τους μέρους που έχετε εγγράψει.
 - Όταν το μενού Χρονικής μετατόπισης εξαφανίζεται και στην οθόνη μένει μόνο ο χρόνος της χρονικής μετατόπισης, μπορείτε να πιέσετε το κουμπί **▶▶** ή το **OK** για να μεταβείτε στο μενού Χρονικής μετατόπισης.
 - Πιέστε το κουμπί **⏏** για γρήγορη μετακίνηση πίσω ή το κουμπί **▶▶** για γρήγορη μετακίνηση μπροστά.
 - Πιέστε το κουμπί **■** για έξοδο από τη λειτουργία Χρονικής μετατόπισης.

Σημειώσεις:

- *Προτού συνδέσετε τη συσκευή USB στην τηλεόραση, βεβαιωθείτε ότι έχετε δημιουργήσει αντίγραφο ασφαλείας των δεδομένων της συσκευής, ώστε να αποφυγείτε το ενδεχόμενο απώλειας των σημαντικών δεδομένων σας λόγω απρόβλεπτης δυσλειτουργίας.*
- *Συστήνουμε τη χρήση συσκευής USB χωρητικότητας πάνω του 1GB και ταχύτητας γρηγορότερης των 5,0 MB/ δευτερόλεπτο.*
- *Όσο μεγαλύτερο είναι το αρχείο που χρονικής μετατόπισης, τόσο περισσότερο διαρκεί η διαδικασία εγγραφής.*
- *Εάν αλλάξετε κανάλι κατά τη διάρκεια χρονικής μετατόπισης, θα εμφανιστεί ένα μήνυμα που θα σας ζητά να επιλέξετε **Yes** (Ναι) ή **No** (Όχι). Μπορείτε να επιλέξετε **Yes** (Ναι) για να εξέλθετε από τη λειτουργία χρονικής μετατόπισης και να προχωρήσετε στην αλλαγή καναλιού.*

Επαναφορά εργοστασιακών ρυθμίσεων

Σας επιτρέπει να επαναφέρετε την τηλεόραση στις εργοστασιακές ρυθμίσεις.

1. Πιέστε **MENU** στο τηλεχειριστήριο και επιλέξτε **SETUP** (Ρύθμιση), και στη συνέχεια πιέστε **OK** για επιβεβαίωση.
2. Επιλέξτε **Reset Shop** (Επαναφορά εργοστασιακών ρυθμίσεων) και πιέστε **OK/>** για να προχωρήσετε.
3. Χρησιμοποιήστε τα αριθμητικά πλήκτρα για να εισάγετε τον κωδικό πρόσβασης.
4. Πιέστε **</>**, επιλέξτε **OK** και πιέστε **OK** για επιβεβαίωση.
5. Εμφανίζεται το μενού **Initial Setup** (Αρχική ρύθμιση). Ακολουθήστε τις σχετικές οδηγίες.

Διαμόρφωση των ρυθμίσεων εισόδου

Σας επιτρέπει να ρυθμίσετε τις παραμέτρους της τηλεόρασής σας για εξωτερικές συσκευές εισόδου, όπως π.χ. αποκωδικοποιητές, συσκευές αναπαραγωγής Blu-Ray, υπολογιστές ή κονσόλες παιχνιδιών.

1. Πιέστε **MENU** στο τηλεχειριστήριο και επιλέξτε **Setup > Input Settings** (Ρύθμιση > Ρυθμίσεις Εισόδου).
2. Πιέστε **OK/>** για να μείνε στη λειτουργία **Input Settings** (Ρυθμίσεις Εισόδου).
3. Πιέστε **▲/▼** για να επιλέξετε τη θύρα σύνδεσης της συσκευής εισόδου.
4. Πιέστε **</>** για να επιλέξετε τον τύπο της συσκευής. Πιέστε **</>** για να ονομάσετε τη συσκευή.
5. Πιέστε **BACK** για να επιστρέψετε στο μενού **SETUP** (Ρύθμιση).

Μετά τη διαμόρφωση, θα εμφανιστεί η επιλεγμένη ετικέτα πηγής μετά το όνομα του σχετικού συνδέσμου στη λίστα πηγών όταν πατάτε **SOURCE** στο τηλεχειριστήριο ή **OK** στην τηλεόραση.

Χρήση του Ηλεκτρονικού Οδηγού Προγράμματος

Το EPG είναι ένας οδηγός επί της οθόνης που προβάλλει τα προγραμματισμένα τηλεοπτικά προγράμματα. Μπορείτε να πλοηγηθείτε, να επιλέξετε και να εμφανίσετε προγράμματα.

1. Πιέστε **GUIDE** από το τηλεχειριστήριο. Θα εμφανιστεί το μενού **Now and Next EPG** (Ηλ Οδηγ Προγρ Τώρα&Μετά), από όπου μπορείτε να ενημερωθείτε για τα τρέχοντα και τα επόμενα προγράμματα των καναλιών. Πλοηγηθείτε στα διάφορα

προγράμματα μέσω των πλήκτρων πλοήγησης στο τηλεχειριστήριο.

2. Χρησιμοποιήστε τα έγχρωμα πλήκτρα για να εμφανίσετε το **8 Days EPG** (πρόγραμμα 8 ημερών).
 - **Prev Day** (προηγούμενη μέρα) (Κόκκινο): Εμφανίζει τον ηλεκτρονικό οδηγό της προηγούμενης ημέρας.
 - **Next Day** (επόμενη ημέρα) (Πράσινο): Εμφανίζει τον ηλεκτρονικό οδηγό της επόμενης ημέρας.
 - **View Detail** (εμφάνιση πληροφοριών) (Κίτρινο): Εμφανίζει τις πληροφορίες του προγράμματος, εάν είναι διαθέσιμες.
 - **Time Filter** (τύπος φίλτρου) (Μπλε): Φίλτρο Οδηγού Προγράμματος για τα ψηφιακά τηλεοπτικά προγράμματα.
 - Πιέστε το μπλε κουμπί για προβολή των τύπων προγραμμάτων.
 - Μπορείτε να πλοηγηθείτε στους διάφορους τύπους και υποτύπους χρησιμοποιώντας τα αντίστοιχα πλήκτρα πλοήγησης στο τηλεχειριστήριο.
 - Επιλέξτε έναν ή περισσότερους τύπους που θέλετε να σημειώσετε από τη λίστα Τύπων και πιέστε **OK** για να επιλέξετε (ή αποεπιλέξετε). Ένα σημάδι ελέγχου θα εμφανιστεί στα αριστερά του τύπου όταν επιλεγεί. Όταν επιλέξετε τύπο, όλοι οι υποτύποι επιλέγονται αυτόματα.
 - Επιπρόσθετα, ο χρήστης μπορεί να επιλέξει υποτύπους χωρίς να επιλέξει κύριο τύπο.
 - Πιέστε το μπλε κουμπί για έξοδο από τη λίστα τύπων.
 - Όταν ολοκληρώσετε το φιλτράρισμα, όλα τα ψηφιακά προγράμματα που επιθυμείτε σημειώνονται.
 - **Add Schedule** (Πρ. προγρ.) (Όption): Πατήστε **OPTION** στο τηλεχειριστήριο για να εμφανιστεί το μενού **Schedule List** (Λίστα προγράμματος). Για λεπτομέρειες σχετικά με την προγραμματισμένη εγγραφή, ανατρέξτε στην ενότητα **Schedule List** (Λίστα προγράμματος).
3. Πιέστε **GUIDE/EXIT** για να βγείτε από το EPG και να περάσετε στο επιλεγμένο κανάλι.

PVR (Personal Video Recorder)

Προσωπική Συσκευή Εγγραφής Βίντεο

Σας επιτρέπει να γράφετε το αγαπημένο σας τηλεοπτικό πρόγραμμα. Πριν χρησιμοποιήσετε τη συγκεκριμένη λειτουργία, συνδέστε πρώτα μια συσκευή μνήμης USB.

Σημείωση: Λόγω ειδικών εγχώριων απαιτήσεων, η λειτουργία PVR δεν είναι διαθέσιμη για τη Φινλανδία.

1. Πιέστε **Option** από το τηλεχειριστήριο και επιλέξτε **QUICK ACCESS > PVR** (Γρήγορη πρόσβαση > PVR).
2. Πιέστε **OK/>** για είσοδο.

Λειτουργία συντόμευσης: Πιέστε **REC** από το τηλεχειριστήριο για απευθείας είσοδο στο μενού PVR.
3. Πιέστε:
 - Το κουμπί **REC** για έναρξη της εγγραφής. Το αρχείο εγγραφής αποθηκεύεται σε ένα φάκελο PVR στην τοποθεσία **MEDIA > VIDEO** (Πολυμέσα > Βίντεο).
 - Το κουμπί **■** για μη αυτόματη διακοπή της εγγραφής. Σε περίπτωση ολοκλήρωσης της διάρκειας εγγραφής, η εγγραφή διακόπτεται αυτόματα.
 - **Λ/V/</>** για να ρυθμίσετε τη διάρκεια εγγραφής.
4. Κατά τη διάρκεια της εγγραφής, ένα μικρό σήμα PVR θα εμφανιστεί επίσης στην οθόνη για να υποδείξει τη διαδικασία εγγραφής.
5. Για να δείτε το εγγεγραμμένο πρόγραμμα, βγείτε από την λειτουργία PVR πρώτα και κατόπιν πηγαίστε στο **MEDIA > VIDEO** (Πολυμέσα > Βίντεο). Επιλέξτε το φάκελο PVR και μετά επιλέξτε το σχετικό αρχείο. Πιέστε **OK** για αναπαραγωγή. (Το ίδιο ισχύει αν ο χρήστης γράψει ένα ψηφιακό ραδιοφωνικό πρόγραμμα.)

Σημειώσεις:

- Όταν χρησιμοποιείται κάρτα CI+, η λειτουργία PVR απενεργοποιείται.
- Διαθέσιμο μόνο για ψηφιακά κανάλια.
- Υποστηρίζει μόνο συσκευή αποθήκευσης USB μορφής FAT32.
- Πριν συνδέσετε τη συσκευή USB στη συσκευή, βεβαιωθείτε πως έχετε δημιουργήσει αντίγραφα ασφαλείας των δεδομένων της συσκευής για την αποφυγή απώλειας σημαντικών δεδομένων λόγω απρόβλεπτης

δυσλειτουργίας.

- Όσο μεγαλύτερη είναι η μνήμη της συσκευής USB για τη λειτουργία PVR, τόσο περισσότερο διαρκεί η διαδικασία εγγραφής.
- Εάν επιθυμείτε να αλλάξετε κανάλι ή πηγή σήματος κατά την εγγραφή, αποθηκεύστε τα εγγεγραμμένα δεδομένα πριν την αλλαγή καναλιού ή πηγής.
- Το σύστημα δεν μπορεί να αναπαράγει αρχεία κανονικά αν οι παράμετροι του αρχείου ξεπερνούν τις δυνατότητες του συστήματος, η μορφή του αρχείου δεν υποστηρίζεται, το αρχείο είναι κατεστραμμένο, ή αν το αρχείο δεν μπορεί να αποκωδικοποιηθεί.
- Μην αφαιρείτε τη συσκευή USB όταν το σύστημα κάνει ανάγνωση αρχείου ή μεταφέρει δεδομένα, αλλιώς μπορεί να προκληθούν βλάβες στο σύστημα ή στη συσκευή.

Λίστα προγράμματος

Αυτή η λειτουργία χρησιμοποιείται για την εκτέλεση προγραμματισμένης εγγραφής.

1. Πιέστε **OPTION** στο τηλεχειριστήριο και επιλέξτε **QUICK ACCESS > Schedule list** (Γρήγορη πρόσβαση > Λίστα προγράμματος).
2. Πιέστε **OK** για προβολής του **Schedule List** (Λίστα προγράμματος).
3. Για να προσθέσετε μια λίστα προγράμματος, πιέστε πρώτα το κόκκινο κουμπί για να εμφανιστεί η επιλογή **Schedule List** (Λίστα προγράμματος). Στη συνέχεια,
 - **Channel Number** (Αριθμός καναλιού): χρησιμοποιήστε το κουμπί **</>** για να επιλέξετε τον αριθμό του καναλιού.
 - **Start Date** (Ημερομηνία έναρξης): χρησιμοποιήστε τα ψηφιακά πλήκτρα για να ορίσετε την ημερομηνία εγγραφής.
 - **Start Time** (Ώρα έναρξης): ορίστε τον χρόνο έναρξης της εγγραφής.
 - **Stop Time** (Χρόνος διακοπής): ορίστε τον χρόνο διακοπής της εγγραφής.
 - **Schedule Type** (Τύπος προγράμματος):
 - Ορίστε το στοιχείο **Reminder** (Υπενθύμιση) για να ενημερωθείτε ότι μπορείτε να αλλάξετε το καθορισμένο πρόγραμμα την ώρα που έχετε

ορίσει. Όταν λήξει ο χρόνος και δεν έχετε εκτελέσει κάποια λειτουργία, θα εξαφανιστεί το πλαίσιο διαλόγου και δεν θα εκτελεστεί κάποια άλλη λειτουργία.

- Ορίστε την επιλογή **Record** (Εγγραφή) για να ελέγξετε αν θέλετε πραγματικά να ξεκινήσετε την προγραμματισμένη εγγραφή την ώρα που έχετε ορίσει. Όταν λήξει ο χρόνος και δεν έχετε εκτελέσει καμία λειτουργία, θα ξεκινήσει αυτόματα η προγραμματισμένη εγγραφή.
 - **Repeat Type** (Τύπος επανάληψης): ορίστε διαφορετική κατάσταση επανάληψης εγγραφής.
4. Πιέστε **Λ/Υ/Κ/Γ>** για να επιλέξετε **Add** (Προσθήκη), και στη συνέχεια, **OK** για να προσθέσετε το πρόγραμμα που ορίσατε στη λίστα προγράμματός σας.
 5. Πιέστε το κόκκινο κουμπί για να επαναλάβετε τις παραπάνω διαδικασίες για να προσθέσετε άλλο πρόγραμμα.
 6. Αν θέλετε να επεξεργαστείτε ή να διαγράψετε ένα πρόγραμμα, επιλέξτε το και πατήστε **OK** για να προχωρήσετε.
 7. Πιέστε **EXIT** για να κλείσετε το μενού.

Σύνδεση σε δίκτυο

Μπορείτε να ρυθμίσετε την τηλεόρασή σας έτσι, ώστε να έχει πρόσβαση στο διαδίκτυο μέσω του τοπικού σας δικτύου (LAN), μέσω μιας ενσύρματης ή ασύρματης σύνδεσης.

Σύνδεση σε ενσύρματο δίκτυο

Μπορείτε να συνδέσετε ενσύρματα την τηλεόρασή σας στο LAN σας με τρεις τρόπους:

- Μπορείτε να συνδέσετε την τηλεόρασή σας στο LAN σας συνδέοντας ένα εξωτερικό μόντεμ στη θύρα LAN της τηλεόρασής σας μέσω καλωδίου Cat 5.
- Μπορείτε να συνδέσετε την τηλεόρασή σας στο LAN σας συνδέοντας έναν διανομέα στη θύρα LAN της τηλεόρασής σας, ο οποίος θα είναι συνδεδεμένος σε ένα εξωτερικό μόντεμ. Για να πραγματοποιήσετε τη σύνδεση, χρησιμοποιήστε καλώδιο Cat 5.
- Ανάλογα με τις παραμέτρους του δικτύου σας, ενδέχεται να μπορείτε να συνδέσετε την τηλεόρασή σας στο LAN σας συνδέοντας απευθείας τη θύρα LAN της τηλεόρασής σας σε μια επιτοίχια πρίζα δικτύου μέσω καλωδίου Cat 5.

Βεβαιωθείτε ότι η πρίζα είναι συνδεδεμένη με κάποιο μόντεμ ή ρούτερ σε κάποιο άλλο σημείο του σπιτιού σας.

Επιλέξτε **SETUP > Network > Settings > Interface** (Ρύθμιση > Δίκτυο > Ρυθμίσεις > Διασύνδεση) και, στη συνέχεια, επιλέξτε **Ethernet** (Ethernet) για σύνδεση σε ενσύρματο δίκτυο.

Σύνδεση σε ασύρματο δίκτυο

Για να συνδέσετε ασύρματα την τηλεόρασή σας στο δίκτυό σας, θα χρειαστείτε ένα ασύρματο ρούτερ ή μόντεμ και έναν προσαρμογέα WIFI, ο οποίος δεν περιλαμβάνεται στη συσκευασία. Συνδέστε τον προσαρμογέα WIFI στη θύρα **USB 1** της τηλεόρασής σας.

1. Επιλέξτε **SETUP > Network > Settings > Interface** (Ρύθμιση > Δίκτυο > Ρυθμίσεις > Διασύνδεση), και στη συνέχεια επιλέξτε **Wireless** (Ασύρματη) για να συνδεθείτε σε ένα ασύρματο δίκτυο.
2. Επιλέξτε **Wireless Setting** (Ασύρματη ρύθμιση) και πιέστε **OK/>** για να συνεχίσετε.
3. **Μέθοδοι σύνδεσης:** Μπορείτε να ρυθμίσετε τη σύνδεση σε ασύρματο δίκτυο με τρεις τρόπους:
 - **Scan** (Σάρωση)
 - Επιλέξτε **Wireless Setting > Scan** (Ασύρματη ρύθμιση > Σάρωση), και στη συνέχεια πιέστε **OK/>**. Η τηλεόραση θα σαρώσει όλα τα σημεία πρόσβασης που βρίσκονται εντός της εμβέλειάς της. Θα εμφανιστούν τα σημεία πρόσβασης που εντόπισε η τηλεόραση.
 - Επιλέξτε ένα από τα διαθέσιμα σημεία πρόσβασης, και στη συνέχεια πιέστε **OK/>** για να συνδέσετε την τηλεόραση.

Σημειώσεις:

- Εάν επιλέξετε ένα προστατευμένο σημείο πρόσβασης, θα πρέπει να εισάγετε τον αντίστοιχο κωδικό πρόσβασης. Πιέστε **OK** από το τηλεχειριστήριο για να προβάλετε το εικονικό πληκτρολόγιο, ώστε να εισάγετε τον κωδικό πρόσβασης.
- Η τηλεόραση διαθέτει λειτουργία απομνημόνευσης του διαθέσιμου σημείου πρόσβασης και μπορεί να παραμείνει συνδεδεμένη στο δίκτυο, ακόμη και μετά την απενεργοποίηση και εκ νέου ενεργοποίηση.

- **Manual** (Μη αυτόματα)

Επιλέξτε **Wireless Setting > Manual** (Ασύρματη ρύθμιση > Μη αυτόματα), και στη συνέχεια πιέστε **OK/>**. Θα σας ζητηθεί να εισάγετε το σωστό SSID κάποιου διαθέσιμου ασύρματου ρούτερ για να εγκαταστήσετε τη σύνδεση.

- **Auto** (Αυτόματα)

Εάν το AP (Access Point/Σημείο πρόσβασης) σας υποστηρίζει WPS (προστατευμένη ρύθμιση Wi-Fi), μπορείτε να συνδεθείτε στο δίκτυο μέσω PIN (Personal Identification Number/ Προσωπικός Αριθμός Αναγνώρισης) ή PBC (Push Button Configuration/ Ρύθμιση παραμέτρων με το πάτημα ενός κουμπιού). Το WPS θα ρυθμίσει αυτόματα τις παραμέτρους του SSID και του κλειδιού WPA σε οποιαδήποτε λειτουργία.

Επιλέξτε **Wireless Setting > Auto** (Ασύρματη ρύθμιση > Αυτόματα) και, στη συνέχεια, πιέστε **OK/>** για να συνεχίσετε.

- **PIN** (PIN): Επιλέξτε **PIN** (PIN) και πιέστε **OK/>** για να συνεχίσετε. Δημιουργήστε έναν τυχαίο κωδικό PIN. Βεβαιωθείτε ότι αυτός ο κωδικός έχει εγκατασταθεί στο AP. (Ανατρέξτε στο εγχειρίδιο του ρούτερ σας για τη σχετική διαδικασία.) Ξαναπιέστε **OK/>** για να εγκαταστήσετε τη σύνδεση.
- **PBC** (PBC): Εάν το ρούτερ σας διαθέτει πλήκτρο PBC, επιλέξτε **PBC** (PBC) και, στη συνέχεια, πιέστε **OK/>** για να συνεχίσετε. Πιέστε το πλήκτρο PBC του ρούτερ σας εντός 2 λεπτών και ξαναπιέστε **OK/>**. Η τηλεόρασή σας θα λάβει αυτόματα όλες τις τιμές ρύθμισης δικτύου που χρειάζεται και θα συνδεθεί στο δίκτυό σας.

Ρύθμιση δικτύου

1. Πιέστε **MENU** στο τηλεχειριστήριο και επιλέξτε **SETUP > Network > Settings > Internet Connection** (Ρύθμιση > Δίκτυο > Ρυθμίσεις > Σύνδεση Διαδικτύου). Πιέστε **</>** για να επιλέξετε **On** (Εντός λειτουργ.). Περιμένετε μέχρι να ολοκληρωθεί αυτόματα η εγκατάσταση της σύνδεσης.
2. Επιλέξτε **SETUP > Network > Settings > Connection Test**

(Ρύθμιση > Δίκτυο > Ρυθμίσεις > Δοκιμή σύνδεσης) και, στη συνέχεια, πιέστε **OK/>** για να ελέγξετε τη δυνατότητα σύνδεσης στο διαδίκτυο. Εάν δεν λειτουργεί, ακολουθήστε τα παρακάτω βήματα, για να βεβαιωθείτε ότι υπάρχει δυνατότητα σύνδεσης.

3. Επιλέξτε **SETUP > Network > Settings > IP Setting** (Ρύθμιση > Δίκτυο > Ρυθμίσεις > Ρύθμιση IP) και, στη συνέχεια, πιέστε **OK/>** για να εισέλθετε στο μενού **IP Setting** (Ρύθμιση IP).
 - Ορίστε το **Address Type** (Τύπος διεύθυνσης) σε **Auto** (Αυτόματα). Θα λάβει και θα εισάγει την απαιτούμενη διεύθυνση IP αυτόματα.
 - Μπορείτε να ακολουθήσετε τα παρακάτω βήματα για να εισάγετε μη αυτόματα τη διεύθυνση IP.
 - Ορίστε το **Address Type** (Τύπος διεύθυνσης) σε **Manual** (Μη αυτόματα) και, στη συνέχεια, πατήστε **V** για να μεταβείτε στο πεδίο της πρώτης καταχώρησης.
 - Εισάγετε τις τιμές **IP Address** (Διεύθυνση IP), **Subnet Mask** (Μάσκα υποδικτύου), **Default Gateway** (Προεπιλεγμένη πύλη), **Primary DNS** (Πρωτεύον DNS) και **Secondary DNS** (Δευτερεύον DNS). Χρησιμοποιήστε τα αριθμητικά πλήκτρα για να εισάγετε τους αριθμούς και τα κομμάτια βέλους για να μετακινηθείτε από ένα πεδίο εισαγωγής σε κάποιο άλλο.
 - Μετά τη ρύθμιση, επιλέξτε **SETUP > Network > Settings > Connection Test** (Ρύθμιση > Δίκτυο > Ρυθμίσεις > Δοκιμή σύνδεσης) για να ξαναελέγξετε τη δυνατότητα σύνδεσης στο διαδίκτυο.
4. Επιλέξτε **SETUP > Network > Settings > Information** (Ρύθμιση > Δίκτυο > Ρυθμίσεις > Πληροφορίες) και, στη συνέχεια, πιέστε **OK/>** για να προβάλετε τις πληροφορίες της τρέχουσας σύνδεσης, όπως π.χ. Διασύνδεση, Τύπος διεύθυνσης, Διεύθυνση IP, κτλ.

Περιήγηση στον Η/Υ μέσω της λειτουργίας Κοινή Χρήση & Προβολή

Εάν έχετε αποθηκευμένες φωτογραφίες, βίντεο ή αρχεία μουσικής σε κάποιον

υπολογιστή συνδεδεμένο στο οικιακό δίκτυο, μπορείτε να αναπαραγάγετε τα αρχεία σας στην τηλεόραση.

Σύνδεση στον Η/Υ

Εγκαταστήστε αρχικά μια ενσύρματη ή ασύρματη σύνδεση μεταξύ της τηλεόρασής σας και κάποιου ρούτερ. Στη συνέχεια συνδέστε τον Η/Υ σας με το ρούτερ είτε μέσω ενός καλωδίου δικτύου, είτε ασύρματα. Βεβαιωθείτε ότι η επιλογή **SETUP > Network > Settings > Internet Connection** (Ρύθμιση > Δίκτυο > Ρυθμίσεις > Σύνδεση Διαδικτύου) έχει ρυθμιστεί ως **On** και ότι το λογισμικό προστασίας του υπολογιστή σας δεν μπλοκάρει τη σύνδεση.

Ενεργοποίηση της λειτουργίας Κοινή Χρήση & Προβολή

Επιλέξτε **SETUP > Network > Applications > Share & See** (Ρύθμιση > Δίκτυο > Εφαρμογές > Κοινή Χρήση & Προβολή) και ρυθμίστε στη θέση **On**.

Ακολουθήστε τα βήματα με τη σειρά που περιγράφονται παρακάτω.

Προσθήκη πολυμέσων από τον υπολογιστή σας για κοινή χρήση

Εγκαταστήστε ένα διακομιστή πολυμέσων για Κοινή Χρήση & Προβολή στον Η/Υ σας. Ένας απλός και οικείος διακομιστής που μπορείτε να εγκαταστήσετε είναι το Microsoft Windows Media Player 11. Επιτρέψτε στην τηλεόρασή σας να αναπαράγει συγκεκριμένα αρχεία από τον υπολογιστή σας.

1. Ανοίξτε το Microsoft Windows Media Player 11.
 - Επιλέξτε **Library > Media sharing** (Βιβλιοθήκη > Κοινή Χρήση Πολυμέσων).
 - Επιλέξτε το πλαίσιο επιλογής **Share my media to** (Κοινή χρήση των πολυμέσων μου με).
 - Επιλέξτε το εικονίδιο της τηλεόρασης που είναι συνδεδεμένη με τον υπολογιστή σας.
 - Επιλέξτε **Allow** (Να επιτρέπεται) για να επιτρέπεται η τηλεόρασή σας να έχει πρόσβαση στον υπολογιστή σας και επιλέξτε **OK** για να μπορέσετε να ενεργοποιήσετε αυτή την πρόσβαση.

*Σημείωση: Μπορείτε να πατήσετε το κουμπί **Settings** (Ρυθμίσεις) για να προσαρμόσετε τις ρυθμίσεις που θέλετε.*

2.
 - Επιλέξτε **Library > Add to Library** (Βιβλιοθήκη > Προσθήκη στη Βιβλιοθήκη).
 - Επιλέξτε τους προσωπικούς φακέλους ή τους φακέλους άλλων χρηστών στους οποίους μπορείτε να έχετε πρόσβαση για κοινή χρήση.
 - Επιλέξτε **Add** (Προσθήκη) και πατήστε **OK** για να ενεργοποιηθεί η λειτουργία προσθήκης.

Εφαρμογές Κοινής Χρήσης & Προβολής

Επιλέξτε **MEDIA** (Πολυμέσα) από το κύριο μενού και πιέστε **OK** για είσοδο στο κέντρο πολυμέσων. Από εκεί μπορείτε να προβάλετε τις φωτογραφίες, να ακούσετε τη μουσική ή να παρακολουθήσετε τα βίντεο που έχετε αποθηκεύσει στον υπολογιστή σας.

Smart TV

Σας επιτρέπει να απολαμβάνετε διαδικτυακές εφαρμογές (Apps), ειδικά προσαρμοσμένους διαδικτυακούς ιστοτόπους για την τηλεόρασή σας. Μπορείτε να ελέγχετε τα Apps από το τηλεχειριστήριο της τηλεόρασης.

ΠΡΟΕΙΔΟΠΟΙΗΣΗ:

- Διαμορφώστε τις ρυθμίσεις δικτύου πριν χρησιμοποιήσετε τη λειτουργία **Smart TV**.
- Ενδέχεται να παρουσιαστούν αργές απαντήσεις ή/και παρεμβολές, ανάλογα με τις συνθήκες δικτύου.
- Αν παρουσιαστεί κάποιο πρόβλημα με τη χρήση μιας εφαρμογής, επικοινωνήστε με τον παροχέα περιεχομένου.
- Σύμφωνα με τις συνθήκες του παροχέα περιεχομένου, μπορεί να αποσυνδεθούν οι ενημερώσεις της εφαρμογής ή η ίδια η εφαρμογή.
- Ανάλογα με τους κανονισμούς της χώρας σας, ορισμένες εφαρμογές ενδέχεται να έχουν περιορισμένες υπηρεσίες ή να μην υποστηρίζονται.

Πρόσβαση στις εφαρμογές Smart TV (Apps)

1. Επιλέξτε **SMART TV** (Smart TV) από το κύριο μενού και πιέστε **OK** για προβολή της αρχικής σελίδας smart TV.

Λειτουργία συντόμευσης: Πιέστε **SMART TV** (Smart TV) από το τηλεχειριστήριο για απευθείας προβολή της αρχικής σελίδας smart TV.

2. Πιέστε **Λ/Υ/Λ/Υ** για να επιλέξετε μια εφαρμογή και, στη συνέχεια, πιέστε **OK** για είσοδο.

HbbTV

Ορισμένα ψηφιακά κανάλια προσφέρουν διαδραστική HbbTV (Hybrid Broadcast Broadband TV).

Μέσω της HbbTV οι σταθμοί συνδυάζουν το κανονικό τηλεοπτικό τους πρόγραμμα με πληροφορίες και δυνατότητες ψυχαγωγίας. Μπορείτε να περιηγηθείτε με διαδραστικό τρόπο σε αυτές τις πληροφορίες.

Για να απολαύσετε τις υπηρεσίες HbbTV στο έπακρο, θα πρέπει να συνδέσετε την τηλεόρασή σας στο διαδίκτυο.

Σημείωση: Μέσω αυτού του χαρακτηριστικού δεν μπορείτε να λαμβάνετε τα αρχεία στην τηλεόρασή σας.

Πρόσβαση στην HbbTV

Αφού συντονιστείτε σε κάποιο τηλεοπτικό κανάλι που προσφέρει υπηρεσίες HbbTV, πιέστε το κόκκινο κουμπί για να ανοίξετε τις διαδραστικές σελίδες. Στη συνέχεια χρησιμοποιήστε τα κουμπιά **Λ/Υ/Λ/Υ** για να πλοηγηθείτε στις σελίδες HbbTV και πιέστε **OK** για επιβεβαίωση.

Σημειώσεις για τον Κωδικό Πρόσβασης στη λειτουργία Γονικού Ελέγχου:

- Ο προεπιλεγμένος κωδικός πρόσβασης είναι 1234. Μπορείτε να τον αλλάξετε ορίζοντας έναν νέο.
- Ο προεπιλεγμένος κωδικός πρόσβασης είναι 0423. Εάν ξεχάσατε τον κωδικό σας, εισάγετε τον προεπιλεγμένο κωδικό πρόσβασης για να παρακάμψετε τους υπάρχοντες κωδικούς.

Ανάλυση οθόνης:

- 1920x1080

Επικοινωνήστε με την ΙΚΕΑ

Σε περίπτωση που έχετε απορίες σχετικά με τη νέα τηλεόραση UPPLEVA ή το σύστημα ήχου, ή εάν χρειάζεστε εξυπηρέτηση ή υποστήριξη, επικοινωνήστε με το Τμήμα εξυπηρέτησης πελατών της ΙΚΕΑ στη διεύθυνση www.ikea.gr.

Για να διασφαλίσετε ότι θα σας προσφέρουμε την καλύτερη δυνατή υποστήριξη, παρακαλούμε διαβάστε προσεκτικά το εγχειρίδιο πριν επικοινωνήσετε μαζί μας. Επίσης, έχετε ανά χείρας τον αριθμό προϊόντος της αγοράς σας όταν μας καλείτε. Θα βρείτε αυτόν τον 8-ψήφιο αριθμό προϊόντος στην απόδειξη αγοράς ή στο πίσω μέρος της τηλεόρασης UPPLEVA ή του συστήματος ήχου.

Önemli bilgi Güvenlik

Yerel ana güç kaynağı voltajınızın setinizin arkasında bulunan tanıtım etiketinde gösterilen voltaja uygun olmasını sağlayın. Ana fiş veya cihaz fiş ve prizleri bağlantı kesme cihazı olarak kullanıldığında bağlantı kesme cihazı çalıştırılabilir durumda kalacaktır.

Bazı modellerde ışık göstergesi TV setinin yanında bulunur. Setin önünde ışık göstergesi olmaması TV setinin bağlantısının dağıtım şebekesinden tamamıyla kesildiği anlamına gelmez. TV setinin elektrik bağlantısını tamamen kesmek için ana fiş çekilmelidir.

TV setinin aksamaları ısıya duyarlıdır. **Maksimum ortam sıcaklığı 35°C'yi geçmemelidir.** TV setinin arkasındaki veya yanlarındaki havalandırma deliklerinin üstünü örtmeyin. Yeterli havalandırmaya olanak tanımak için havalandırma deliklerinin çevresinde yeterli boşluk bırakın. Cihazı ısı kaynaklarından (şömine,...) veya güçlü manyetik veya elektrik alanı yaratan cihazlardan uzakta kurun.

Cihazın kurulu olduğu odalardaki nem %85'i geçmemelidir. **"Bu ürün, herhangi bir damlama veya sıvı sızmasına maruz bırakılmamalı ve vazo gibi içi sıvı dolu nesnelere cihazın üzerine konulmamalıdır."** Setin soğuk bir yerden sıcak bir yere taşınması ekranda buğulaşmaya neden olabilir (ve TV setinin içerisindeki bazı aksamalar üzerinde). TV setini tekrar açmadan önce buğulaşmanın buharlaşmasına izin verin.



UYARI

Yangının yayılmasını önlemek için mumları veya diğer açık alevleri her zaman bu üründen uzak tutun.

Televizyondaki ϕ veya **POWER**/ ϕ düğmesi ya da uzaktan kumandadaki ϕ düğmesi cihazı açmak ya da bekleme moduna almak için kullanılabilir. Uzun **bir süre TV izlemeyecekseniz**, fişi ana güç prizinden çıkararak tamamıyla kapalı konuma getirin. Fırtına **sırasında**, TV setinin ona zarar verebilecek elektriksel veya elektromanyetik ani yükselmelerden etkilenmemesi için ana güç ve anten bağlantısını kesmenizi tavsiye etmekteyiz. Bu sebeple, gerektiğinde **bağlantılarının kesilebilmeleri için** ana güç kaynağı ve anteni **kolayca ulaşılabilir** yerde tutun.

Yanık veya duman kokusu **yaydığını** fark ettiğiniz anda **TV setinin fişini** hemen çıkartın. Elektrik çarpması riski taşıdığınız için hiçbir koşulda TV setini **kendi başınıza** açmayın.

TV ekranı

Bu üründe kullanılan TV ekranı camdan yapılmıştır. Dolayısıyla ürün düştüğünde ya da diğer nesnelere çarptığında kırılabilir.

TV ekranı yüksek teknoloji bir ürün olup çok net görüntü sunar. Ara sıra ekranda çok az sayıda sabit mavi, yeşil veya kırmızı notalar halinde aktif olmayan pikseller görülebilir.

Bakım

Ekranı temizlemek için bir cam temizleme ürünü ve setin geri kalan parçalarını temizlemek için yumuşak bir bez ve yumuşak deterjan kullanın.

Önemli: Güçlü deterjanlar kullanırken alkol bazlı ve aşındırıcı ürünler ekrana zarar verebilir.

TV setinin arkasında ve yanlarındaki havalandırma deliklerinin tozunu düzenli olarak alın. Çözücü maddeler kullanırken aşındırıcı veya alkol bazlı ürünler TV setine zarar verebilir. Cihazın içerisine herhangi bir nesne veya sıvı girmesi durumunda hemen cihazın fişini çıkartın ve yetkili bir mühendise kontrol ettirin. Cihaz zarar görebileceği için cihazı kesinlikle kendi başınıza açmayın.

TV setini duvara asma

Uyarı: Bu işlemi iki kişinin yapması gerekir.

Güvenli bir kurulum sağlamak için aşağıdaki güvenlik notlarına uyun:

- Duvarın TV seti ve duvar montaj düzeneğinin ağırlığını destekleyebileceğini kontrol edin.
- Duvar montaj düzeneği ile sağlanan montaj talimatlarına uyun. Bazı modeller için, setle birlikte sağlanan altıgen VESA duvar montajı vida başlıklarını (ve vidaları), duvar montajınızdan önce setinizin arkasındaki duvar montajına yönelik somunlara vidaladığınızdan emin olun.
- TV seti dikey bir duvara kurulmalıdır.
- Sadece duvarın malzemesi için uygun olan vidaları kullanın.
- TV setinin kablolarının takılıp düşme tehlikesi olmayacak şekilde konumlandırıldığından emin olun.

TV setimiz ile ilgili tüm diğer güvenlik talimatları da burada uygulanabilir.

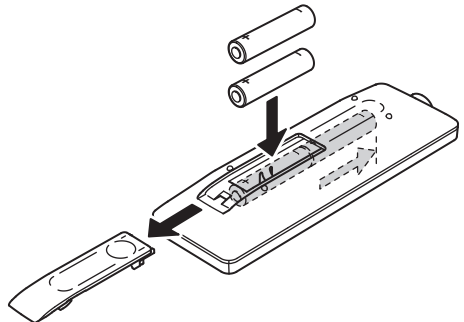
TV setinin masa üzerine konulması

Televizyon setinizi kurmadan önce üzerine seti koymak istediğiniz yüzeyin setin ağırlığını desteklediğinden emin olun.

Seti sabit olmayan bir yüzey üzerine koymayın (örn. hareketli raf, bir birimin dip köşesi) ve televizyon setinin ön yüzünün, setin oturtulduğu yüzeyden çıkıntı oluşturmadığından/sarkmadığından emin olun.

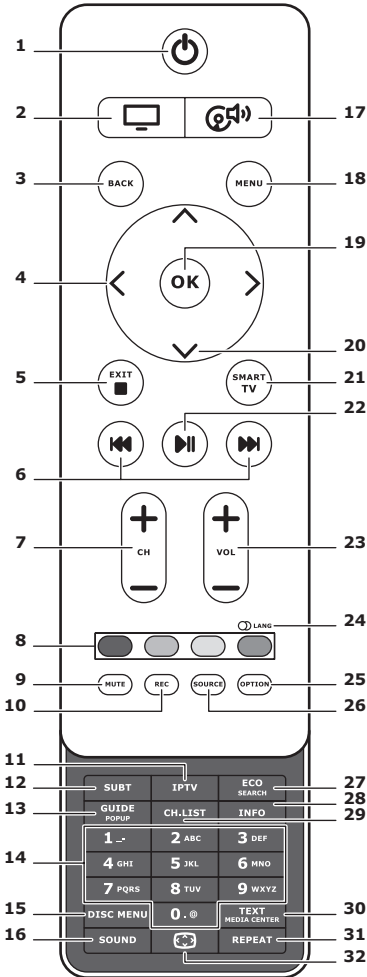


Bu ürün, geri dönüştürülebilir ve tekrar kullanılabilir yüksek kaliteli malzemeler ve parçalarla tasarlanıp üretilmiştir. Bu sembol elektrikli ve elektronik ekipmanın kullanım ömrünün sonuna geldiği, çevre ve insan sağlığı için olası olumsuz etkilerini önlemek üzere ev atıklarınızdan ayrı olarak imha edilmesi gerektiği anlamına gelmektedir. Avrupa Birliği'nde kullanılmış elektrikli ve elektronik ürünler için ayrı toplama sistemleri bulunmaktadır. Lütfen yaşadığımız dünyayı korumamızda bize yardımcı olun!



Uzaktan kumanda işlevleri

TV'nizin birçok işlevi ekranda görünen menülerden yapılabilir. Menülerde dolaşmak ve tüm genel ayarları yapmak için TV'niz ile birlikte verilen uzaktan kumanda kullanılabilir.



1. Ana menüde gezinmek için.
2. TV'yi kullanırken uzaktan değiştirmek içindir.
3. **BACK**
Önceki menüye dönmek içindir. Önceki kanala dönmek için.
4. **<>**
Menülerde dolaşmak içindir. İşlevleri ayarlamak ve değerleri değiştirmek içindir. > ilgili alt menüyü açmak için de kullanılabilir.
5. **EXIT/■**
Menü yapısından ve Teleteksten çıkmak içindir; bazı işlevleri durdurmak içindir.
6. **◀▶**
İleri veya geri sarmak içindir (Ortam işlevine basılı tutun); ve önceki veya sonraki fotoğrafa, şarkıya veya videoya gitmek içindir.
7. **CH+/-**
Kanalları değiştirmek için.
8. **Renk düğmeleri**
Görevleri veya Teleteks sayfalarını seçmek içindir. MHEG işlevi için kırmızı düğme de kullanılabilir.
9. **MUTE**
Sesi kapatmak ve tekrar açmak içindir.
10. **REC**
Programı kaydetmek içindir.
11. **IPTV**
İşlev yok.

12. SUBT

Seçili dijital TV programına yönelik uygun bir alt yazı dili seçmek için.

13. GUIDE

Elektronik Program Kılavuzunu açmak veya kapatmak için (sadece dijital kanallar için kullanılabilir).

14. 0-9

Kanal numaralarını girmek içindir. Bazı işlevlerde bir harf, bir hane veya bir sembol girmek içindir.

15. DISK MENU

İşlev yok.

16. SOUND

Önceden ayarlanan ses modunu seçmek içindir.

17. 

Ses sistemi kullanımı için uzaktan değiştirmek için.

18. MENU

Ana menüye giriş yapmak için. Akıllı TV işlevinde sanal klavyeye giriş yapmak veya klavyeden çıkmak içindir.

19. OK

Bir girişi veya seçimi onaylamak içindir. Dijital TV modundaki resmi dondurmak/ dondurulanı kaldırmak içindir.

20. 

Menülerde dolaşmak içindir. Menü seçeneklerini seçmek içindir.

21. SMART TV

Akıllı TV ana sayfasının görüntülenmesi için.

22. 

Oynatmak/duraklatmak içindir.

23. VOL+/-

Sesi kontrol etmek içindir.

24.  LANG

Seçilen Analog TV programı için mevcut olan bir ses türünü seçmek içindir. Seçilen dijital TV programı için bir sesli dil seçmek içindir.

25. OPTION

İşlev menüsünü göstermek içindir. Belirli işlemleri yerine getirmek içindir. Farklı modlardaki Teletex sayfasını göstermek içindir.

26. SOURCE

Bağlı aygıtları seçmek için.

27. ECO

İstediğiniz güç tasarrufu modunu seçmek için.

28. INFO

Varsa program bilgisini göstermek içindir.

29. CH. LIST

Kanal listesini göstermek içindir.

30. TEXT/MEDIA CENTER

Teletex'i açmak veya kapatmak içindir.

31. REPEAT

İşlev yok.

32. 

Resim formatını seçmek için.

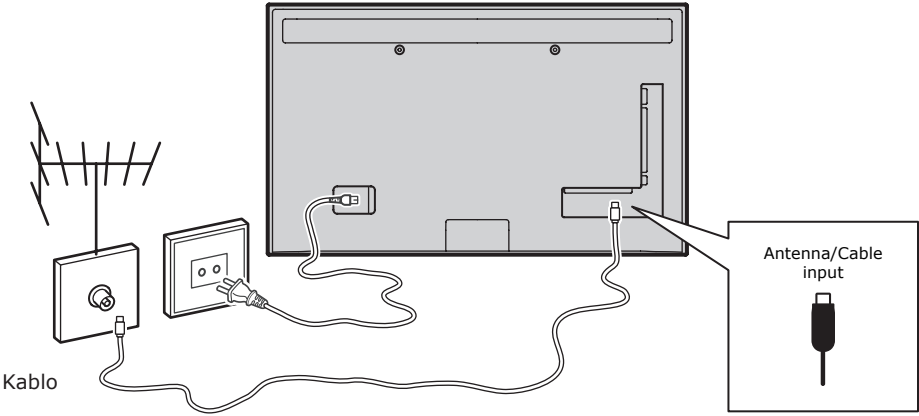
Not: Tam ekran modunu kullanmanızı öneririz. Resmin her iki tarafında siyah çubuklar varken ekran modunu uzun süre kullanmayın (örn 4:3); bu durum TV ekranına kalıcı hasar verebilir.

Güç verilmesi ve antenin takılması

Güç kablosunu bağladıktan sonra TV'yi açmak için, ⏻ veya **POWER**/ ⏻ üzerine basın.

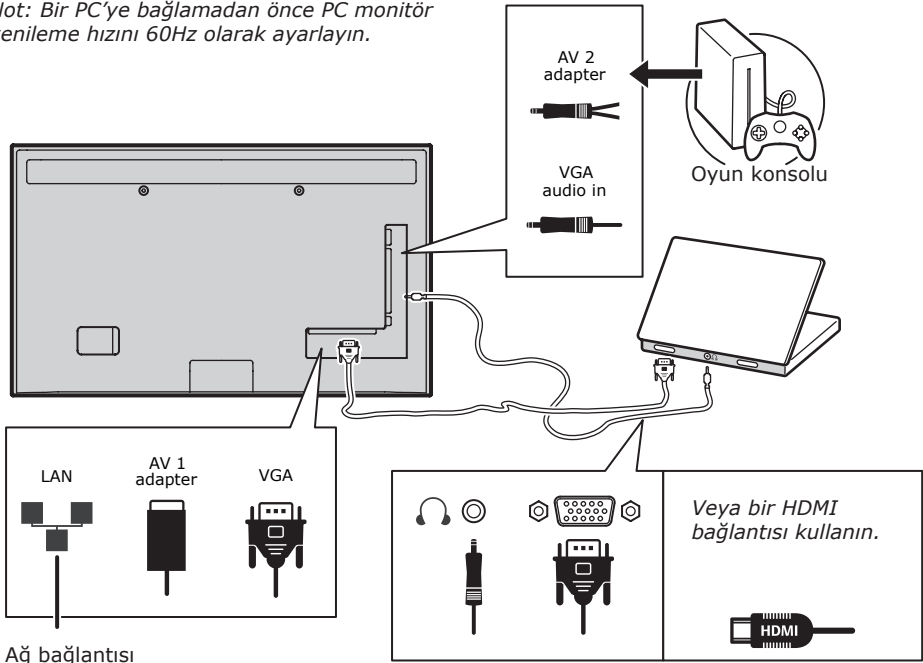
Not: Güç soketinin konumu TV modeline bağlı olarak farklılık göstermektedir.

Bazı modellerde, ilk önce güç düğmesini açmanız gereklidir.

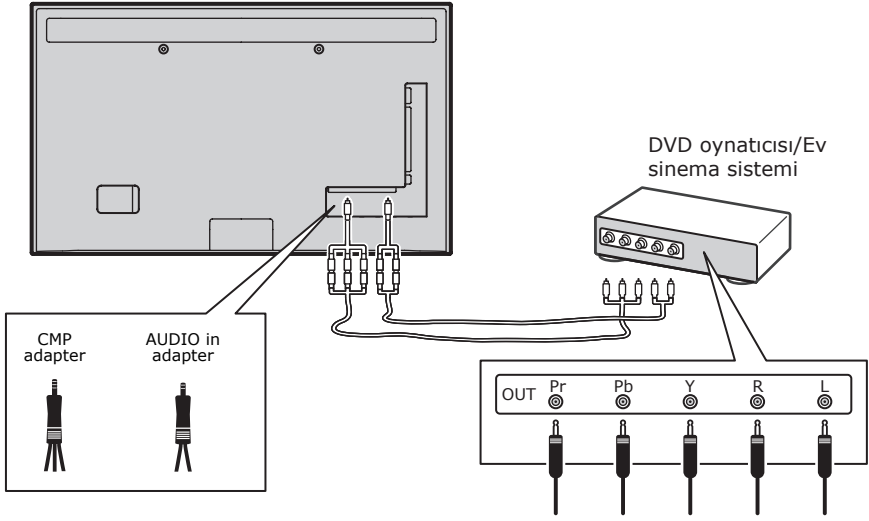


Oyun konsolu, PC

Not: Bir PC'ye bağlamadan önce PC monitör yenileme hızını 60Hz olarak ayarlayın.



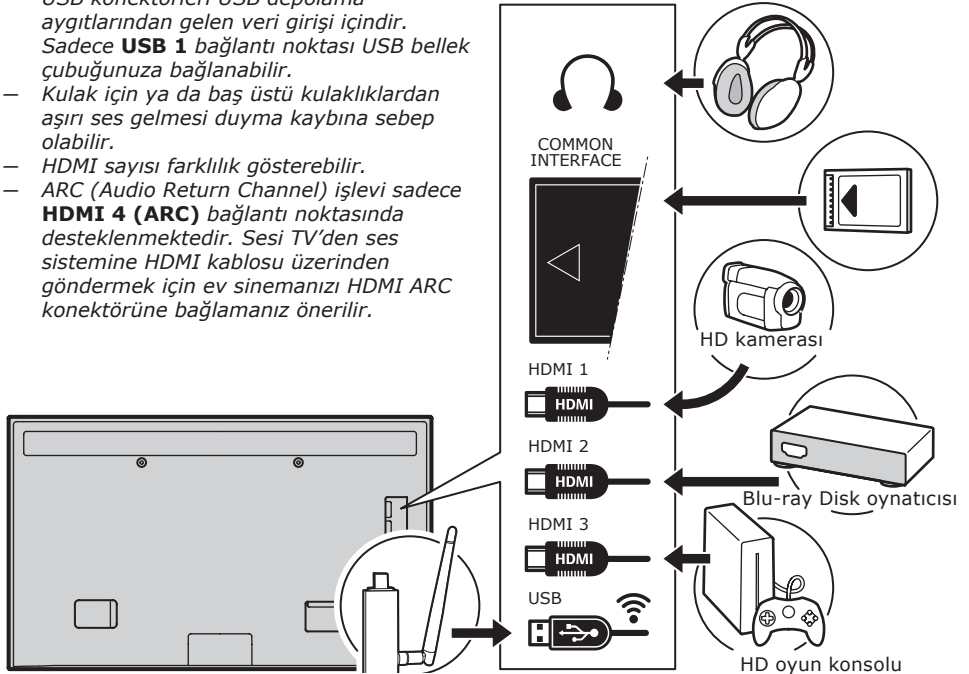
DVD oynatıcısı, ev sinema sistemi



Blu-ray Disk oynatıcısı, kulaklıklar, HD oyun konsolu ve HD kamerası

Notlar:

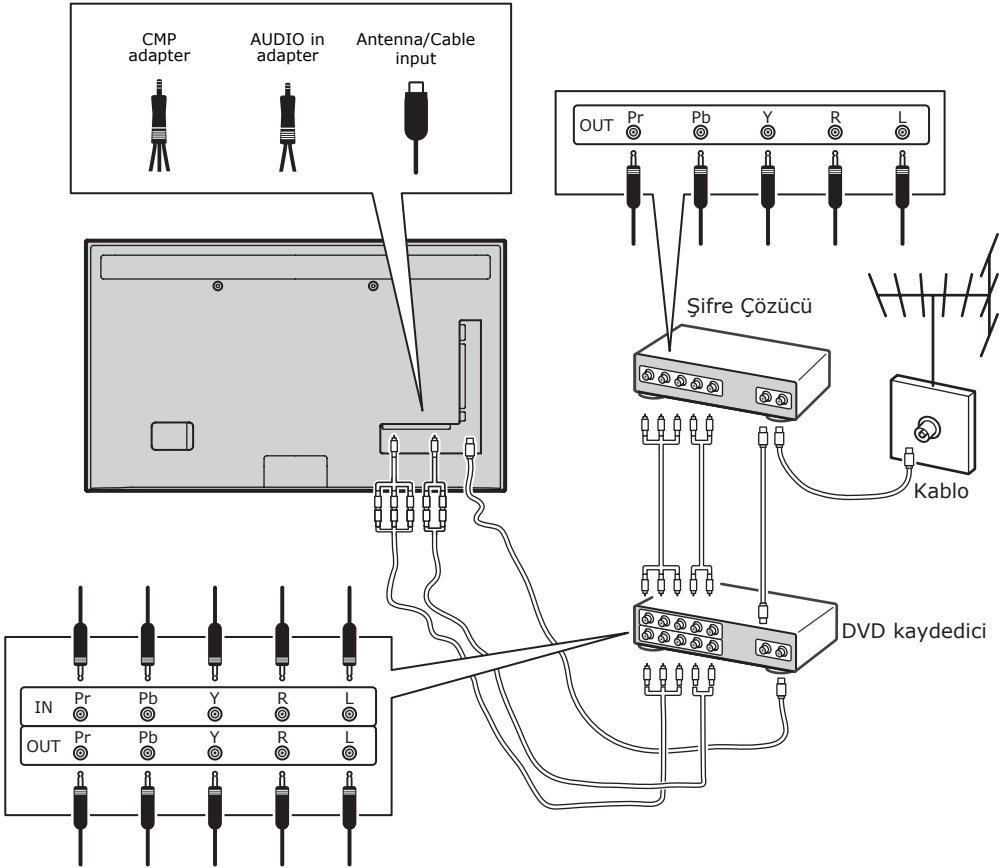
- USB konektörleri USB depolama aygıtlarından gelen veri girişi içindir. Sadece **USB 1** bağlantı noktası USB bellek çubuğunuza bağlanabilir.
- Kulak için ya da baş üstü kulaklıklardan aşırı ses gelmesi duyma kaybına sebep olabilir.
- HDMI sayısı farklılık gösterebilir.
- ARC (Audio Return Channel) işlevi sadece **HDMI 4 (ARC)** bağlantı noktasında desteklenmektedir. Sesi TV'den ses sistemine HDMI kablosu üzerinden göndermek için ev sinemanızı HDMI ARC konektörüne bağlamanız önerilir.



DVD oynatıcısı, kablo alıcısı

Not:

Cihazları bağlamadan önce güç kablosunu çıkarın.



Notlar:

- Bu gösterimler sadece referans olması içindir. Modelinizin görüntüsü farklı olabilir veya gösterilen tüm bağlantıları içermeyebilir.
- TV'nizdeki güç socketinin konumu modele bağlı olarak farklılık gösterebilir.
- İşlev düğmelerinin konumu ve adları ve TV'deki konektörler modele bağlı olarak farklılık gösterebilir.

Önemli:

Eğer uzaktan kumanda uzun süre kullanılmazsa, pilleri çıkarın ve düzgün bir şekilde saklayın. Hasar gören veya kaçan pilleri dikkatli bir şekilde kullanın. Eğer uzaktan kumandanızda iki pil varsa, yeni ve eski pilleri karıştırarak kullanmayın. Pil güneş ışığı, ateş veya benzeri aşırı ısıya maruz bırakılmamalıdır. Pil yanlış takılırsa patlama tehlikesi vardır. Sadece üretici firma tarafından önerilen aynı veya dengi türde pil kullanın. Biten pilleri üretici firmanın talimatlarına göre imha edin. Yerel geri dönüştürme veya tık imha kurallarına bakın ve eskiyen pilleri imha etmesi için yerel atık imha etme yetkilisi ile görüşün. Eğer uzaktan kumandanızdaki piller biterse, TV'nizdeki düğmeleri kullanabilirsiniz. TV modu, uzaktan kumandadaki düğmelerin yaptığı ile aynı işlevi yerine getirir (tüm işlevleri aynı değildir). Menülerde şu işlevlere sahiptir:

CH ▲	▲
CH ▼	▼
VOL >	>
VOL <	<
MENU/≡	MENU
OK/☑	OK

TV'yi açma ve kapama

- Güç verildiğinde, TV doğrudan açılacak ya da bekleme moduna geçecektir. Eğer TV bekleme modunda ise, televizyondaki **⏻** veya **POWER/⏻** düğmesine veya uzaktan kumandadaki **⏻** düğmesine basarak açın.
- TV'yi bekleme moduna almak için, televizyondaki **⏻** veya **POWER/⏻** düğmesine veya uzaktan kumandadaki **⏻** düğmesine basarak açın. Televizyon açık kalır, fakat düşük enerji tüketir.
- TV'yi kapatmak için elektrik fişini prizden çekin.

(*Bazı modellerde ilk olarak gücü açmanız gereklidir.)

İlk ayarlar

İlk ayarlama, arama yapmak için gerekli tüm ayarları seçmeyi ve alabileceğiniz tüm analog ve dijital kanalları yüklemeyi içerir. Televizyonun açık olduğundan emin olun ve aşağıda belirtilen tüm adımları sırasıyla yerine getirin.

Not: Eğer kanal araması sadece analog kanalları alıyorsa, buna zayıf yayın sebep olmuş olabilir ve dolayısıyla üretici garantisini kapsamında değildir. Üretici firmalar bazı bölgelerdeki zayıf yayınlardan dolayı sorumluluk kabul etmez.

Televizyonu ilk kez açtığınızda, **Initial Setup** (İlk kurulum) sihirbazı açılır, bu sihirbaz size ilk kurulum sürecinde kılavuzluk eder. (Bkz. Şekil 1) **OK**'e basarak ilk kurulumunuzu başlatın.

- ▲/▼** tuşuna basarak dilinizi seçin, ardından **OK/>** tuşuna basarak sonraki adıma geçin.

- ▲/▼** tuşuna basarak ülkenizi seçin, ardından **OK/>** tuşuna basarak sonraki adıma geçin.

Not: Eğer France (Fransa) öğesini seçerseniz, bir parola belirlemek için buradan Password Setting (Parola ayarı) menüsüne giriş yapmanız gereklidir. Rakam düğmelerini kullanarak dört haneli parolanızı girin. Parolayı onaylamak için aynı kodu tekrar girin. (Şifreniz olarak 0000 ayarı çok basit olur.) Bunun ardından, otomatik olarak bir soneraki adıma geçeceksiniz. (Bu adımda önceki adıma dönmek için sadece BACK düğmesine basabilirsiniz.)

- ▲/▼** düğmesine basarak **Antenna** (Anten) veya **Cable** (Kablo) veya **Satellite** (Uydu) ayarlama modunuzu seçin. (*Not: Bazı modeller için, bu seçeneği kullanılamaz.*)
 - Antenna** (Anten)'yi seçin.
 - OK/>** tuşuna basarak giriş yapın.
 - Digital & Analogue** (Dijital & Analog), **Digital** (Dijital) ya da **Analogue**'u (Analog) seçin, sonra **OK/>**'a basın.
 - Scan**'i (Tara) seçmek için **▲/▼**'a basın, sonra tüm DVB-T dijital ve/veya analog kanallar için otomatik arama başlatmak için **OK/>**'a basın.
 - Cable** (Kablo)'yu seçin.
 - OK/>** tuşuna basarak giriş yapın.
 - Digital & Analogue** (Dijital & Analog), **Digital** (Dijital) ya da **Analogue**'u (Analog) seçin, sonra **OK/>**'a basın.
 - ▲/▼** tuşuna basarak **Scan** (Tara) öğesini seçin, ardından **OK/>** tuşuna basarak ilk kurulumunuzu doğrudan başlatın ya da aşağıdaki adıma girin.

- Eğer varsa aramak için **Full** (Dolu) öğesini seçin ve tüm DVB-C dijital ve analog kanallarını kaydedin.
- Eğer varsa, başka bir gelişmiş tarama modu seçebilirsiniz (örneğin, **Advanced** (Gelişmiş)), ardından doğru kablo bilgilerini aşağıda tanımlandığı gibi yapılandırın. Frekans değerlerini, sembol hızını ve ağ kodunu ayarlamak için hane düğmelerini kullanın; **</>** düğmelerini kullanarak bir modülasyon modu seçin.
- **OK** tuşuna basarak tüm analog ve DVB-C dijital kanallar ile ilgili ilk ayarı başlatın.

– **Satellite**'i (Uydu) seçin.

Not: Bazı modeller için, bu seçenek kullanılamayabilir.

- **OK/>** tuşuna basarak giriş yapın.
- **Λ/V** tuşuna basarak **Scan** (Tara)'yı seçin, ardından **OK/>** tuşuna basarak uydu ve anten ile ilgili doğru bilgileri yapılandırmak için sonraki adıma girin.
- **OK** tuşuna basarak tüm uydu kanalları ile ilgili ilk ayarı başlatın.

Not: Kanal ayarlama işleminin kesilmesini önlemek için ayarın tamamlandığını gösteren mesajı bekleyiniz.

4. Taramaya başlamadan önce, ilk ayar sürecini atlamak için **Skip Scan** (Taramayı atla) seçeneğini de belirleyebilirsiniz.
5. Kurulum sırasında, kullanıcı **BACK**'ye basarak bir önceki adıma dönmek için ekranın altında bulunan ipuçlarını izleyebilir. Veya çıkmak ya da aramayı yarıda kesmek için **EXIT**'e basınız.
6. Otomatik arama bittiğinde, set sonraki adımı otomatik olarak girer. **Shop** (Mağaza) ya da **Home** (Giriş) konumunuzu seçmek için **Λ/V**'a basın. Seçiminizi onaylamak ve son adımı girmek için **OK/>**'a basın.
7.
 - Bu adımda, başlangıç kurulumundan çıkmak için **OK**'e basabilirsiniz. Kanallar bir ön ayar sırasında düzenlenirler. Kanalları atlamak isterseniz, ön ayar sırasını değiştiriniz veya kanalları yeniden adlandırınız, girmek için **SETUP > Organiser** (Kurulum > Ajanda)'sı seçiniz ve ardından **OK/>**'a basınız.

- Bu adımda, bir önceki adıma dönmek için **BACK**'ye de basabilirsiniz.

Kanalları otomatik olarak kurma

Bu bölümde kanalların nasıl otomatik olarak aranacağı ve yükleneceği açıklanmaktadır. Talimatlar hem analog hem dijital kanallar içindir.

1. Uzaktan kumandadaki **MENU** tuşuna basın ve **SETUP > Language > Menu Language** (Kurulum > Dil > Menü dili)'ni seçin. **</>** tuşuna basarak istediğiniz menü dilini seçin.
2. **BACK** tuşuna basarak **SETUP** (Kurulum) öğesine dönün, **Λ/V** tuşuna basarak **Country** (Ülke) seçin, ardından **</>** tuşuna basarak ülkenizi seçin. TV ülkenize göre kanalları kurar ve düzenler.
3. **Tuner Mode**'u (Tuner modu) seçmek için **Λ/V**'a basın, sonra **Antenna** (Anten), **Cable** (Kablo) ya da **Satellite**'i (Uydu) seçmek için **</>**'a basın. (*Bazı modeller için, bu seçenek kullanılamayabilir.*)
 - **Antenna** (Anten)'yi seçin.
 - **Λ/V** tuşuna basarak **Channel Install** (Kanal kurulumu)'u seçin ve **OK/>** tuşuna basarak giriş yapın.
 - **Automatic Search** (Otomatik arama)'yı seçin (Bkz. Şekil 2.), ardından **OK/>** tuşuna basarak **Automatic Search** (Otomatik arama)'yı gösterin.
 - **OK**'a basarak ülke seçimini atlayın ve sonraki adıma girin. Veya **</>** düğmelerini kullanarak ülkenizi yeniden seçin, ardından **OK**'a basarak giriş yapın.
 - **Digital & Analogue** (Dijital & Analog), **Digital** (Dijital) veya **Analogue** (Analog)'u seçin, ardından **OK/>** düğmesine basarak tüm DVB-T dijital ve/veya analog kanallarını ilgilendiren otomatik aramayı başlatın.
 - **Cable** (Kablo)'yu seçin.
 - **Λ/V** tuşuna basarak **Channel Install** (Kanal kurulumu)'u seçin ve **OK/>** tuşuna basarak girin.
 - **Automatic Search** (Otomatik arama)'yı seçin, ardından **OK/>** tuşuna basarak **Automatic Search** (Otomatik arama)'yı seçin.
 - **OK** tuşuna basarak ülke seçimini atlayın ve sonraki adıma girin. Veya **</>** tuşuna basarak ülkenizi yeniden

seçin, ardından **OK** tuşuna basarak girin.

- **Digital & Analogue** (Dijital & Analog)'u seçin, ardından **OK/>>** tuşuna basarak girin. Eğer varsa tarama modunu seçin ve İlk Kurulumdaki ile aynı şekilde doğru kablo bilgisini yapılandırın. **Scan** (Tara)'yı seçin ve **OK/>>** tuşuna basarak DVB-C dijital ve analog kanallarınız ile ilgili otomatik aramanızı başlatın.
 - **Digital** (Dijital) öğesini seçin, ardından yukarıdaki aynı işlemleri yerine getirerek tüm DVB-C dijital kanallar için otomatik aramayı başlatabilirsiniz.
 - **Analogue** (Analog)'u seçin, ardından **OK/>>** tuşuna basarak tüm analog kanallar ile ilgili otomatik aramanızı başlatın.
- **Satellite**'i (Uydu) seçin.

Not: Bazı modeller için, bu seçenek kullanılamayabilir.

- **Satellite Setup**'ı (Uydu kurulumu) seçmek için **^/V**'a basın ve girmek için **OK/>>**'a basın.
 - Uygun bir uydu seçmek ya da gerekli ise yeni uydular eklemek için **^/V**'a basın, sonra uydu ve antene ilişkin uygun bilgileri girmek ve yapılandırmak için **OK**'a basın.
 - **SETUP > Channel Install > Automatic Search**'ü (Kurulum > Kanal kurulumu > Otomatik kurulum) seçin, sonra girmek için **OK/>>**'a basın.
- **Country** (Ülke) seçin ve gerekli ise arzu ettiğiniz ülkeyi tekrar seçmek için **</>** kullanın.
- **Satellite Tuning**'i (Uydu ayarı) seçin, **SATELLITE TUNING**'i (Uydu ayarı) görüntülemek için **OK/>>**'a basın. Uygun bilgileri yapılandırın. **Scan**'i (Tara) seçin ve tüm uydu kanallarına ilişkin başlangıç kurulumunu başlatmak için **OK/>>**'a basın.

Not: Bazı modeller için, bu seçenek kullanılamayabilir.

4. Arama birkaç dakika sürebilir. Süreç sırasında **EXIT** tuşuna basarak yarıda çıkabilirsiniz.
5. Otomatik arama sona erdiğinde, **BACK** tuşuna basarak son adıma dönün veya

OK tuşuna basarak kanal aramayı yeniden başlatın.

6. Otomatik aramanın ardından kanallar önceden ayarlanan sırada düzenlenir. Kanalları atlayabilir, ön ayar sırasını düzeltebilir ya da kanalları yeniden adlandırabilirsiniz.

Televizyonunuzu kullanma Kanallara giriş

Rakam tuşlarını kullanma: ilgili rakam tuşlarına basarak kanallara giriş yapın.

CH+/- veya CH^/V tuşlarını kullanma: kanallarda dolaşın.

Bağlı kanalları izleme

TV ve diğer girdi kaynakları arasında geçiş yapmak için tekrar tekrar uzaktan kumanda üzerindeki **SOURCE** ya da TV seti üzerindeki **OK**'a basın. **CH+/-** tüm TV kanallarında ve diğer giriş kaynaklarında dolaşırken TV izlemeye devam etmek için bir rakam tuşuna basarak kanala giriş yapın.

*Not: Modellerin tamamında ayar üzerinde **OK** düğmesi bulunmamaktadır.*

Ses

Ses kontrolü: TV'deki **VOL</>** düğmelerini veya uzaktan kumandadaki **VOL+/-** düğmelerini kullanarak sesi artırın veya azaltın.

Ses kapalı: **MUTE** düğmesine basarak sesi geçici olarak kapatın. Bu düğmeye tekrar basarak veya **VOL+** düğmesine basarak sesi geri getirin.

TV menülerini kullanma

1. **MENU** düğmesine basarak ana menüyü gösterin. (Bkz. Şekil 3)
2. **^/V/ </>** tuşuna basarak istediğiniz öğeyi seçin, ardından **OK** tuşuna basarak ilgili alt menüyü açın.
3. Alt menülerde **^/V** tuşunu kullanarak menü seçeneklerini seçin, **</>** tuşunu kullanarak işlevleri ayarlayın veya değerleri değiştirin. **OK** tuşunu kullanarak bir ayarı etkinleştirin. **OK/>>** tuşunu kullanarak ilgili alt menüyü açın.
4. **BACK** tuşuna basarak önceki menüye dönün.
5. Menüyi kapatmak için **EXIT**'e basınız.

Not: Bazı sinyal kaynakları için bazı seçenekler kullanılamayabilir.

Menü dilini seçme

Aşağıdaki talimatları izleyerek tercih ettiğiniz menü dilini seçebilirsiniz.

1. **MENU** düğmesine basarak ana menüyü gösterin.
2. **▲/▼/◀/▶** tuşuna basarak **SETUP** (Kurulum)'u seçin, ardından **OK** tuşuna basarak girin.
3. **Language** (Dili) seçin ve **OK/▶**'e basarak giriş yapın.
4. **Menu Language** (Menü dili)'ni seçin ve **◀/▶** tuşuna basarak menüleri göstermek için istediğiniz dili seçin.
5. Menüyü kapatmak için **EXIT**'e basınız.

Televizyonunuzu ayrıntılı kullanma Sevdiğiniz kanalları ayarlama

En beğendiğiniz TV kanallarınızın bir listesini oluşturabilirsiniz.

1. **CH.LIST**'e basınız.
2. **CHANNEL LIST SELECTION** (Favori Listesi Seçimi)'nu girmek için sarı tuşa basınız.
Favori listenizi seçmek için **▲/▼** üzerine basın ve giriş yapmak için **OK**'e basın.
3. Favori listenizi düzenlemeye başlamak için mavi tuşa basınız. Kanal listesini kaydırmak için **▲/▼**'ye ve listeyi seçmek ya da seçimi kaldırmak için **OK**'ye basınız.
4. Diğer favori kanallarını ayarlamak için bu prosedürü tekrarlayınız.
5. **CH.LIST/EXIT**'e basınız.

Enerji Tasarrufu

1. Uzaktan kumandadaki **MENU** düğmesine basın ve **PICTURE > ECO Settings > Energy Saving** (RESİM > ECO Ayarları > Enerji tasarrufu) seçeneğini seçin.
2. İsteddiğiniz güç tasarrufu efektini elde etmek üzere istediğiniz güç tasarrufu modunu seçmek için **◀/▶** üzerine basınız.
3. Menüyü kapatmak için **EXIT** tuşuna basınız.

Kısayollarla çalışma: Uzaktan kumandadaki **ECO** üzerine basarak doğrudan istediğiniz güç tasarrufu modunu seçin.

PAP işlevi

Resimleri farklı kaynak girişlerinde yan yana göstermek için. Bir pencerenin hem analog hem dijital TV girişleri için olduğunu, diğerinin ise VGA, HDMI ve CMP girişleri için olduğunu not edin. (Not: Her iki pencerede AV-Scart için kullanılmamaktadır.)

1. **MENU** düğmesine basarak ana menüyü gösterin.
2. **PAP**'i seçin ve **OK**'e basarak giriş yapın.
3. **PAP** seçeneğini seçin ve **◀/▶** tuşuna basarak PAP işlevini açın/kapatın.

4. **TV Position** (TV konumu)'nu seçin, **◀/▶** tuşuna basarak TV penceresini yeniden konumlandırın.
5. **◀/▶** tuşuna basarak odak penceresini değiştirin.
6. Odak TV penceresinde iken, rakam düğmeleri ve **CH+/-** TV'de çalışır. Odak diğer pencerede iken, **CH+/-** anahtarını harici kaynaklarda kullanılabılır.

Altyazıların kullanımı

Her TV kanalı için altyazıları etkinleştirebilirsiniz. Altyazılar teleteks veya DVB-T/DVB-C dijital yayınları ile yayınlanır. Dijital yayınlar ile tercih ettiğiniz altyazı dilini seçmek için ilave seçeneğe sahipsiniz.

Altyazıları açma/kapama

1. Uzaktan kumandadaki **MENU** tuşuna basın ve **OPTIONS > Subtitle** (Seçenekler > Altyazı)'yı seçin.
2. **OK/▶** tuşuna basarak giriş yapın. (Bkz. Şekil 4)
3. **Subtitle** (Altyazı) seçeneğini seçin ve **◀/▶** tuşuna basarak **On/Off** (Açık/Kapalı)'yı seçerek altyazıları açın/kapatın.

Dijital TV kanallarında altyazı dillerini etkinleştirme

1. Uzaktan kumandada **MENU** tuşuna basın ve **OPTIONS > Subtitle > Digital Subtitle Language** (Seçenekler > Altyazı > Dijital altyazı dili)'ni seçin.
 2. **◀/▶** tuşuna basarak tercih ettiğiniz dilde bir altyazı dili seçin.
 3. **▲/▼** tuşuna basarak **Digital Subtitle Language 2nd** (2. Dijital altyazı dili)'ni seçin.
 4. **◀/▶** tuşuna basarak ikinci altyazı dilini seçin.
 5. Menüyü kapatmak için **EXIT**'e basınız.
- Kısayollarla çalışma:** Uzaktan kumandadaki **SUBT**'a tıklayarak seçilen dijital TV programı için kullanılabilen altyazı dilini doğrudan seçin.

Dijital TV kanalında bir altyazı tipi seçme

1. Uzaktan kumandada **MENU** tuşuna basın ve **OPTIONS > Subtitle > Subtitle Type** (Seçenekler > Altyazı > Altyazı tipi)'ni seçin
2. **◀/▶** düğmesine basarak altyazı türünü seçin. Seçilen dilde duyma engelli için altyazıları görüntülemek için **Hearing Impaired** (Duyma engelli) seçeneğini

seçebilirsiniz.

Teletekste kod çözme sayfasının dilini seçin

Uzaktan kumandada **MENU** tuşuna basın ve **OPTIONS > Teletext > Decoding Page Language** (Seçenekler > Teletext > Kod çözme sayfasının dili)'ni seçin. Teleteksin gösterileceği düzgün bir dil türü seçin.

Dijital Teletekst dili

Dijital TV kanalları için, TV'niz farklı dillerde çok sayıda başlangıç Teleteks sayfasına sahip bir servise geçebilir. Bu işlem, mevcut bir dili başlangıç Teleteks sayfasının varsayılan dili olarak seçmenizi sağlar.

Uzaktan kumandada **MENU** düğmesine basınız ve **OPTIONS > Teletext > Digital Teletext Language** (Seçenekler > Teletext > Dijital teleteks dili) seçeneğini seçiniz. Seçmek için **</>** düğmelerine basınız.

SPDIF türü

Bir ses aygıtını **SPDIF** çıkışından bağlayın. Uzaktan kumandadaki **MENU** tuşuna basın ve **OPTIONS > SPDIF Type** (Seçenekler > SPDIF türü)'nü seçin. Dijital programlar için listeden düzgün bir ses türü seçin.

- Eğer mevcut program çıkışları **Dolby D** biçiminde ses çıkarıyorsa, bu durumda **PCM** veya **Dolby D** seçilebilir.
- Eğer mevcut program **Dolby D** biçiminde ses çıkarmazsa sadece **PCM** seçilebilir. Aksi halde ses çıkmayacaktır.
- **SPDIF** çıkışına bağlı olan ses aygıtındaki ses çıkışı kapatmak için **Off** (Kapalı)'yı seçin.

*Not: Seçebileceğiniz seçenekler izlediğiniz programa dayanır. Eğer **PCM** ögesini seçerseniz ve ses resimden önce geliyorsa, **OPTIONS** (Seçenekler) menüsünden **SPDIF Delay** (SPDIF Gecikmesi) seçeneğini belirleyebilir ve **</>** seçeneğine basarak sesi resimle eşzamanlamak için gecikme zamanını ayarlayabilirsiniz.*

T-Link

TV'nizdeki HDMI soketlerine bağlanan CEC aygıtlarını aramak ve CEC aygıtları arasında bir dokunuşta çalma ve bir dokunuşta beklemeyi etkinleştirmek içindir.

T-Link'i etkinleştirme veya engelleme

1. Uzaktan kumandadaki **MENU** tuşuna basın, ardından **OPTIONS > T-Link** (Seçenekler > T-Link)'i seçin.

2. **</>** tuşuna basarak **On** (Açık) veya **Off** (Kapalı)'yı seçin.

Bir dokunuşta oynatı kullanma

Bir dokunuşta oynat, oynat düğmesini açmanıza olanak sağlar, örneğin, DVD'nizin uzaktan kumandası. Bu, DVD aygıtınızda çalma işlemi başlatır ve TV'nizi otomatik olarak doğru kaynağa götürür, DVD içeriğini gösterir.

Sistem beklemedeyi kullanma

Standby sistemi örneğin TV'nizin uzaktan kumandası **⏻** butonuna basmanıza olanak sağlar. Bu da TV'niz ve bütün bağlı HDMI cihazlarını standby moduna geçirir.

Ağ Güncellemesi

Uzaktan kumandadaki **MENU** düğmesine basın, ardından **OPTIONS > Network update** (Seçenekler > Ağ Güncelleme) seçin. Ağ Güncelleme işlevini açmak veya kapatmak için **On/Off** (Açık/Kapalı) seçeneğini seçin.

- Bu işlem açıkken, DTV servis sağlayıcınız DTV ağını güncelliyorsa, TV'niz otomatik olarak kanalları güncelleyecektir.
- Bu işlem kapalıyken, DTV servis sağlayıcınız DTV ağına kanal ekliyorsa veya kaldırıyorsa yeni kanalları almak veya kullanılmayan kanalları kaldırmak için kanal aramayı tekrar çalıştırmanız gerekir.

Genel arayüz

Karışık dijital TV kanallarının kodu genel arayüz modülü ve dijital TV servis operatörünün verdiği bir kart ile çözülebilir. Genel arayüz modülü, operatöre ve seçtiğiniz hizmete bağlı olarak birkaç dijital servisi etkinleştirebilir (örnek: ödemeli TV). Servisler ve şartları hakkında daha fazla bilgi almak için dijital TV servis operatörünüz ile temasa geçiniz.

Genel arayüz modülünü kullanma

UYARI: Genel arayüz modülünü eklemeyi önce televizyonunuza kapatın. Aşağıda açıklanan talimatları izlediğinizden emin olun. Genel arayüz modülünün yanlış takılması hem modüle hem televizyonunuza zarar verebilir.

1. Genel arayüz modülünde bulunan yönergeleri izleyin, modülü yavaşça televizyondaki genel arayüz yuvasına yerleştirin.
2. Modülü gidebildiği kadar itin.
3. Televizyonu açın ve genel arayüz işlevinin

etkinleşmesini bekleyin. Bu işlem birkaç dakika sürebilir.

Not: Genel arayüz modülünü yuvadan çıkarmayın. Modülün çıkarılması dijital servisleri engelleyecektir.

Genel arayüz servislerine erişim

Genel arayüz modülünü yerleştirdikten ve etkinleştirdikten sonra, uzaktan kumandadaki

MENU tuşuna basın ve **OPTIONS >**

Common Interface (Seçenekler > Genel Arayüz)'ü seçin.

Bu menü seçeneği yalnızca genel arayüz modülü doğru yerleştirilmiş ve etkinleştirilmişse kullanılabilir. Ekranda verilen uygulamalar ve içerik dijital TV servis sağlayıcınız tarafından sağlanmaktadır.

Yazılım güncellemesi

Uzaktan kumanda üzerindeki **MENU**'ye basınız ve **OPTIONS > Software Update** (Seçenekler > Yazılım güncellemesi)'i seçiniz.

OK/> tuşuna basarak girin.

- **Current Version** (Mevcut sürüm): Yazılımın mevcut sürümünü kontrol eder.
- **Product Name** (Ürün adı): Setinizin ürün adını gösterir.
- **Serial Number** (Seri numarası) (varsa): Setinizin seri numarasını gösterir.
- **By Network** (Ağ ile): İnternette yazılımın en son sürümünü indirmenizi ve yüklemenizi sağlar. İlk olarak bir kablolu ya da kablosuz ağ bağlantısı kurduğunuzdan emin olun, sonra **By Network**'ü (Ağ ile) seçin ve girmek için **OK/>**'a basın. Devam etmek için ekrandaki talimatları izleyin.
Not: Yazılım güncellemeyi başlatmadan önce bir USB aygıtını bağlayın.
- **By Channel** (Kanala göre): Eğer varsa, yazılımın en son sürümünü kurmanıza olanak sağlar. **By Channel** (Kanala göre) seçeneğini belirleyin ve **OK/>** tuşuna basarak giriş yapın.
- **</>** düğmesini kullanarak **Auto Download** (Oto İndir) kısmından **Yes** (Evet)'i seçerek en son sürümü otomatik olarak indirin. Yazılım başarılı bir şekilde indirildikten sonra, şimdi kurmak isteyip istemediğiniz sorulacaktır. Cevabınız evetse, ekrandaki ipuçlarını izleyerek kurulumunuzu tamamlayın. Aynı zamanda burada kurulum yapmamayı seçebilirsiniz.

- **Auto Download** (Oto indir) kısmından **No** (Hayır)'ı seçerek otomatik indirmeyi geri çevirin.
- **Manual Download** (Manuel İndirme) öğesini seçin ve **OK/>** öğesine basarak en son yazılımı manuel olarak taramayı başlatın. Ekrandaki ipuçlarını izleyerek tamamlayın. Tarama sırasında, işlemi iptal etmek veya çıkmak için **OK/EXIT**'e basınız.

Shop veya Home moduna değiştirilmesi

1. Uzaktan kumanda üzerindeki **MENU**'ye basınız ve **OPTIONS > Location** (Seçenekler > Yer)'ü seçiniz.
2. **Shop** (Mağaza) veya **Home** (Giriş) konumunuzu seçmek için **</>**'ye basınız.
3. Çıkmak için **EXIT**'e basınız.

Not: Avrupa Heyeti 2009/125/EC no'lu düzenlemesine göre 4 saat boyunca işlem yapılmazsa ana sayfa modunda TV otomatik olarak bekleme moduna alınacaktır. Bu özellik OPTIONS (Seçenekler) menüsünde devre dışı bırakılabilir.

MHEG fonksiyonu

Bazı dijital TV yayıncıları özel dijital metin veya interaktif hizmetleri sunarlar (örneğin, BBC1). Bu hizmetler rakam, renk ve navigasyon tuşlarının ilavesi ile normal teleteks gibi çalışır.

1. Uzaktan kumanda üzerindeki **MENU**'ye basınız ve **OPTIONS > SUBTITLE > SUBTITLE** (Seçenekler > Altyazı > Altyazı)'i seçiniz.
 2. **Subtitle** (Altyazı) ile **Off** (Kapalı) arasında ayarlamak için **</>**'ye basınız.
Not: MHEG ve alt yazılar ayrıştırlar ve aynı ekranda bir arada olamazlar. Subtitle (Altyazı) On (Açık)'a ayarlanırsa, MHEG kaybolmayacaktır.
 3. Uzaktan kumandadaki kırmızı düğmeye veya **TEXT** düğmesine basın.
 4. Öğeleri seçmek veya vurgulamak için **▲/▼/◀/▶**'ye basınız.
 5. Onaylamak veya etkinleştirmek için **OK**'e basınız.
 6. Bir opsiyonu seçmek için renk tuşlarından birine basınız.
 7. **TEXT** veya çıkmak için **EXIT**'e basınız.
- Bir USB saklama aygıtından resimleri izleyin, müzik çalın ve video izleyin**
Televizyonunuza bir USB konektörü takılı olup USB saklama aygıtında resimleri

görüntülemenize, müzik dinlemenize veya video izlemenize olanak sağlar.

Desteklenen dosya biçimleri:

Foto	JPEG
Müzik	MP3
Video	AVI, MP4, MPG, MPEG, TS, DIVX, MKV...

Not: Bazı USB tuşları ve dijital kameralar veya cep telefonları gibi USB ürünleri USB 2.0 standardı ile tam uyumlu değildir, dolayısıyla TV multimedya oynatıcısı ile kullanılamaz. USB tuşu veya aygıtlarının tamamı USB işlevi ile uyumlu değildir. Yukarıdaki biçimlerin tümü desteklenmemektedir. Dosyalarının kodlama biçimleri kullanılıp kullanılmayacağını belirleyecektir.

Bir USB aygıtı bağlandığında, ana menüden **MEDIA** (Ortam) seçeneğini seçin ve giriş yapmak için **OK**'e basın.

Foto

Eğer varsa fotoları göstermek içindir.

- MEDIA > PHOTO** (Ortam > Video > Foto)'yu seçin, ardından **OK** öğesine basarak ana dosya içerik tarayıcısına girin.
- Ana dosya içerik tarayıcısında, **^/V/</>** tuşlarını kullanarak bir fotoğraf veya iç dosya klasörü seçin.
- Dahili dosya klasörü seçin, **OK**'a basarak alt dosya içerik tarayıcısına giriş yapın.
- ^/V/</>** tuşlarını kullanarak ister ana ister alt dosya içerik tarayıcısından bir fotoğraf seçin, **MENU**'ye basarak foto menüsünü klasör modunda gösterin.
 - Sort** (Sırala): Klasörleri ve fotoları değiştirme tarihine ya da adına göre sıralayın.
 - Edit** (Düzenle): Seçilen bir fotoğrafı kopyalayın, yapıştırın veya silin.
 - Parser** (Ayrıştırıcı): Tüm alt dosya klasörlerindeki fotoları görüntülemek için **Recursive** (Tekrarlayan) öğesini seçebilirsiniz.
- Bir foto seçin, **OK** tuşuna basarak izleyin ve slayt gösterisi seçilen fotodan başlar. Duraklatılan fotoyu döndürmek istiyorsanız fotoyu duraklatmak için **||** tuşuna basın. **MENU** tuşuna basarak foto menüsünü tarayıcı modunda görüntüleyin. Fotoyu oynatabilir, duraklatabilir veya döndürebilir, farklı bir oynatma modu seçebilir ve efektleri vb görüntüleyebilirsiniz.

- Uzaktan kumandadaki ilgili düğmelere basarak TV ekranının altında bulunan işlev çubuğundan mevcut işlevleri yerine getirin.

Müzik

Varsa müzik çalmak içindir.

- MEDIA > MUSIC** (Ortam > Müzik)'i seçin, ardından **OK** tuşuna basarak ana dosya içerik tarayıcısına girin.
- ^/V/</>** düğmelerini kullanarak ana veya alt dosya içerik tarayıcısında bulunan bir şarkıyı foto görüntüleme işlevindeki ile aynı şekilde seçin, **MENU**'ye basarak müzik menüsünü klasör modunda görüntüleyin.
 - Sort** (Sırala): Klasörleri ve şarkıları Ada, Türe, Sanatçıya veya Albüme göre sıralayın.
 - Edit** (Düzenle): Seçilen bir şarkıyı kopyalayın, yapıştırın veya silin.
 - Parser** (Ayrıştırıcı): Tüm alt dosya klasörlerindeki şarkıları görüntülemek için **Recursive** (Tekrarlayan) öğesini seçebilirsiniz.
- Bir şarkı seçin, **OK** tuşuna basarak oynatın ve seçilen şarkı otomatik olarak çalmaya başlar. **MENU**'ye basarak müzik menüsünü tarayıcı modunda görüntüleyin. Şarkıyı oynatabilir veya duraklatabilir, farklı bir oynatma modu seçebilir vb.'ni yapabilirsiniz.
 - Show Lyrics** (Betikleri göster): Bu seçenek betik içeren şarkılar için kullanılabilir. Seçin ve **</>** düğmesini kullanarak betik eşzamanlanan ekranı açın/kapatın.
 - Audio Only** (Sadece ses): Ekran kapalıyken müzik dinlemek için **OK**'u seçin ve basın. Herhangi bir tuşa basmak ekranı açacaktır.
- Uzaktan kumandadaki ilgili düğmelere basarak TV ekranının altındaki işlev çubuğunda gösterilen mevcut işlevleri yerine getirin.

Video

Varsa video izlemek içindir.

- MEDIA > VIDEO** (Ortam > Video)'yu seçin, ardından **OK**'a basarak ana dosya içerik tarayıcısına girin.
- ^/V/</>** düğmesini kullanarak foto görüntüleme işlevinde olduğu gibi bir videoyu ana veya alt dosya içerik tarayıcısında seçin, **MENU**'ye basarak

video menüsünü klasör modunda görüntüleyin.

- **Sort** (Sırala): Klasörleri ve videoları Türe, değiştirme tarihine veya adına göre sıralayın.
 - **Edit** (Düzenle): Seçilen bir videoyu kopyalayın, yapıştırın veya silin.
 - **Parser** (Ayrıştırıcı): Tüm alt dosya klasörlerindeki videoları görüntülemek için **Recursive** (Tekrarlayan) öğesini seçebilirsiniz.
3. Bir video seçin, **OK** tuşuna basarak izleyin ve seçilen video otomatik olarak oynamaya başlar. **MENU**'ye basarak video menüsünü tarayıcı modunda görüntüleyin. Videoyu oynatabilir veya duraklatabilir, farklı bir oynatma modu, ekran modu ve ön ayar resim ayarı vb seçebilirsiniz.
4. Uzaktan kumandadaki ilgili düğmelere basarak TV ekranının altındaki işlev çubuğunda bulunan mevcut işlevleri yerine getirin.

DivX video

(*bazı modellerde bulunmamaktadır)

DIVX VIDEO HAKKINDA: DivX®, DivX Inc firması tarafından bulunan dijital video biçimidir. DivX videosu oynatan resmi DivX Certified® onaylı aygittir. Daha fazla bilgi ve dosyalarınızı DivX videoya çevirmeye yarayan yazılım araçları için "divx.com" adresini ziyaret edin.

DIVX VIDEO-ON-DEMAND HAKKINDA: Bu DivX Certified® aygıtı, satın alınan DivX Video-on-Demand (VOD) filmlerini oynatmak için kaydedilmelidir.

Kayıt kodunuzu alın:

- Uzaktan kumandadaki **MENU** tuşuna basın.
- **OPTIONS > DivX(R) Registration** (Seçenekler > DivX(R) kaydı)'ni seçin.
- **OK/>** tuşuna basarak kayıt kodunuzu görüntüleyebilirsiniz.

Kayıdınızı nasıl tamamlayacağınız konusunda daha fazla bilgi edinmek için "vod.divx.com" adresini ziyaret edin.

TV kaydınızı silin:

TV kaydınızı silmek isterseniz,

- Uzaktan kumandadaki **MENU** tuşuna basın.
- **Options > DivX(R) Deregistration** (Seçenekler > DivX(R) kayıt silme)

seçeneğini belirleyin.

- **OK/>** tuşuna basın ardından bir mesaj sizi yönlendirir.

DivX®, DivX Certified®, DivX Plus™ HD ve ilgili logolar DivX, Inc. firmasının ticari markalarıdır ve lisans altında kullanılırlar.

Zaman Saptama

Aşağıdaki işlemleri yaparak dijital kanallardaki zamanı algılayabilirsiniz.

1. Uzaktan kumandadaki **MENU** tuşuna basın ve **OPTIONS > Timer > Clock > Auto Synchronization** (Seçenekler > Zamanlayıcı > Saat > Oto eşzamanlama)'yı seçin.
2. **</>** tuşuna basarak **On** (Açık)'ı seçin.

Bir kanal dekoderi atama

Analog kanalların kodunu çözen dekoderler AV konektörüne bağlanabilir. Kodu çözülecek kanal olarak bir TV kanalı belirleyin. Ardından dekoderin bağlı olduğu bağlantıyı atayın.

1. Uzaktan kumandadaki **MENU** tuşuna basın ve **SETUP > Decode** (Kurulum > Kod çöz)'ü seçin.
2. **OK/>** tuşuna basarak listeye girin.
3. **^/v** tuşuna basarak kodunu çözeceğiniz kanalı seçin.
4. **OK** tuşuna basarak kanalı seçin veya seçimi kaldırın.
5. **BACK** tuşuna basarak önceki menüye dönün.

Dijital TV kanalları üzerinde arıza teşhisleri

1. Uzaktan kumanda üzerindeki **MENU**'ye basınız ve **SETUP > Diagnostics** (Kurulum > Tanılamalar)'i seçiniz.
2. Mevcut dijital kanal hakkında sinyal gücü, frekans, vb gibi bazı sinyal bilgilerini görüntülemek için **OK/>**'ye basınız.

Zaman kaydırma

Bir programda duraklatmanıza, geri ve ileri sarmanıza olanak sağlar. Bu işlevi ilk kez kullandığınızda, bir USB bellek çubuğunu bağladığınızdan emin olun.

Not: Belirli ülke gereksinimleri nedeniyle, Zaman Kaydırma işlevi Finlandiya'da bulunmamaktadır.

1. Uzaktan kumandadaki **MENU** tuşuna basın ve **SETUP > Time Shift** (Kurulum > Zaman kaydırma) seçin.
2. **</>** tuşuna basın ve **On** (Açık) tuşunu seçerek zaman kaydırma işlevine geçün, ardından **EXIT** basarak menüyü kapatın.
3. Uzaktan kumandadaki **OPTION** tuşuna

basın ve **Time Shift** (Zaman kaydırma) seçin, ardından **OK** tuşuna basarak onaylayın.

4. Ayar yapmak için ekranda verilen talimatları izleyin.
5. Disk ayarı yapıldıktan sonra, **OPTION** tuşuna basın ve **Time Shift** (Zaman kaydırma) seçin.
6. **OK** tuşuna basarak zaman kaydırma menüsünü gösterin.
 - Resmi duraklatmak için **▶▶** düğmesine basın ve Zaman kaydırmayı başlatın.
 - Kayıtlı kısmı oynatmak için **▶▶** düğmesine basın.
 - Zaman Kaydırma menüsü kaybolduğunda ve sadece Zaman Kaydırma ekranda belirdiğinde, **▶▶** düğmesine veya **OK** düğmesine basarak Zaman Kaydırma menüsüne giriş yapabilirsiniz.
 - Hızlı geri sarmak için **◀◀** düğmesine basın ve hızlı ileri sarmak için **▶▶** düğmesine basın.
 - Zaman kaydırma işlevinden çıkmak için **■** düğmesine basın.

Notlar:

- *USB aygıtını TV'ye bağlamadan önce, önemli verilerinizi beklenmedik arızalar sonucu kaybetmemek için aygıttaki verileri yedeklediğinizden emin olun.*
- *Dosya boyutu 1 GB'ın üzerinde olan ve disk hızı 5.0MB/sn'den hızlı olan bir USB aygıtını kullanmanızı öneririz.*
- *Zaman kaydırma için dosya boyutu büyüdükçe, kayıt zamanı uzar.*
- *Eğer zaman kaydırmada kanalı değiştirirseniz, bir mesaj belirterek **Yes** (Evet) veya **No** (Hayır) seçeneğini seçmeniz için uyarı verir. Zaman kaydırma işlevinden çıkmak için **Yes** (Evet) seçeneğini belirleyebilir ve kanal değiştirme yapabilirsiniz.*

Mağazayı sıfırlama

TV'yi varsayılan fabrika ayarlarına sıfırlanmanızı sağlar.

1. Uzaktan kumanda üzerindeki **MENU**'ye basın ve **SETUP** (Kurulum)'u seçiniz ardından onaylamak için **OK**'ye basınız.
2. **Reset Shop** (Alışverişçi sıfırla)'yı seçin ve **OK/>** tuşuna basarak girin.
3. Parola girmek için rakam düğmelerini kullanın.
4. **OK**'yi seçmek için **</>**'ye ve onaylamak için **OK**'ye basınız.

5. **Initial Setup** (İlk kurulum) menüsü görüntülenir. İlgili talimatları izleyiniz.

Giriş ayarlarının kişiselleştirilmesi

Setüstü kutusu, Blu-Ray oynatıcısı, bilgisayar veya oyun konsolu gibi harici giriş aygıtları için TV'nizi yapılandırmanıza olanak sağlar.

1. uzaktan kumanda üzerindeki **MENU**'ye basınız ve **SETUP > Input Settings** (Kurulum > Giriş Ayarları)'yi seçiniz.
2. **OK/>** tuşuna basarak **Input Settings** (Giriş Ayarları)'ni seçin.
3. Giriş aygıtının bağlı olduğu bağlantı noktasını seçmek için **▲/▼** üzerine basın.
4. Aygıt türünü seçmek için **</>** üzerine basın. Aygıt bir isim vermek için **</>** üzerine basın.
5. **BACK** tuşuna basarak **SETUP** (Kurulum) menüsüne dönün.

Yapılandırdıktan sonra, uzaktan kumanda **SOURCE** tuşuna ya da televizyondaki **OK** düğmesine bastığınızda ilgili konektörün adı kaynak listesine girdikten sonra seçilen kaynak etiketi gösterilecektir.

Elektronik program kılavuzunun kullanılması

EPG ekranda verilen bir kılavuz olup programlanan TV programlarını gösterir. Programlarda dolaşabilir, seçebilir ve izleyebilirsiniz.

1. Uzaktan kumandadaki **GUIDE** düğmesine basın, **Now and Next EPG** (Şimdi ve Sonraki EPG) menüsü açılacaktır, bu menü her kanalda oynayan mevcut ve sonraki programın bilgilerini almanıza olanak sağlar. Uzaktan kumandadaki gezinti düğmelerini kullanarak farklı programlarda dolaşın.
2. Renkli tuşları kullanarak **8 Days EPG** (8 Gün EPG)'yi görüntüleyin.
 - **Prev Day** (Önceki Gün) (Kırmızı): Önceki günün EPG'sini listeler.
 - **Next Day** (Sonraki Gün) (Yeşil): Sonraki günün EPG'sini listeler.
 - **View Detail** (Ayrıntılı Görüntüle) (Sarı): Bu programın mevcut olup olmadığı hakkındaki açıklamayı görüntüler.
 - **Type Filter** (Tip filtresi) (Mavi): Dijital TV programları için program kılavuz filtresi.
- Program türünü görüntülemek için mavi düğmeye basın.

- Uzaktan kumandadaki gezinti tuşlarını kullanarak farklı türler ve alt türler arasında gezinin.
- Tür listesinden bir veya daha fazla türü seçin, **OK** tuşuna basarak seçin (veya seçimi kaldırın). Seçtiğiniz türün solunda bir onay işareti belirecektir. Bir tür seçtiğinizde, tüm alt türleri buna göre seçilecektir.
- Ayrıca kullanıcı ilk olarak herhangi bir türü seçmeden istediği alt türleri seçebilir.
- Tür listesinden çıkmak için mavi düğmeye basın.
- Filtreledikten sonra istediğiniz tüm dijital TV programları vurgulanacaktır.
- **Add Schedule** (Program ekle) (Option): **Schedule List** (Listeyi programla) menüsünü getirmek için uzaktan kumanda üzerindeki **OPTION**'a basın. Programlanan kayıtlarla ilgili ayrıntılar için, **Schedule List** (Listeyi programla) bölümüne bakın.

3. **GUIDE/EXIT** tuşuna basarak EPG'den çıkın ve seçtiğiniz kanala gidin.

PVR (Personal Video Recorder)

(Kişisel Video Kaydedici)

En sevdiğiniz TV programını kaydetmenize olanak sağlar. İşlevi kullanmadan önce, ilk önce bir USB belleği aygıtını takın.

Not: Özel ülke gereksinimlerinden dolayı, PVR özelliği Finlandiya'da kullanılamaz.

1. Uzaktan kumandadaki **OPTION** tuşuna basın ve **QUICK ACCESS > PVR** (Hızlı erişim > PVR) seçeneğini seçin.
2. Girmek için **OK/>** düğmesine basın.

Kısayollarla çalışma: Doğrudan PVR menüsüne giriş yapmak için uzaktan kumandada **REC** üzerine basın.

3. Basın:

- Kaydı başlatmak için **REC** düğmesine basın, kaydedilen dosya **MEDIA > VIDEO** (Ortam > Video)'da bulunan PVR klasörüne yerleştirilir;
 - Kaydı manuel durdurmak için **■** düğmesine basın; kayıt süresi bittiğinde, kayıt otomatik olarak duracaktır.
 - **^/v/</>** kayıt süresini ayarlamak için.
4. Kayıttan, PVR mini penceresi de ekranda belirerek kayıt sürecini gösterecektir.
 5. Kaydedilen programı izlemek için ilk

önce PVR modundan çıkın ve **MEDIA > VIDEO** (Ortam > Video)'ya gidin. PVR klasörünü seçin, ardından ilgili kayıt dosyasını seçin. **OK** tuşuna basarak oynatın. (eğer kullanıcı bir dijital radyo programı kaydediyorsa bu ayıdır).

Notlar:

- *CI+ kartı kullanıldığında, PVR işlevi engellenecektir.*
- *Sadece dijital kanallar için kullanılabilir.*
- *Sadece FAT32 formatının USB bellek aygıtını destekler.*
- *USB aygıtını sete takmadan önce, beklenmeyen arızalardan dolayı önemli bilgilerinizin kaybolmasını önlemek için, aygıtın içinde bulunan verilerin yedeğini aldığınızdan emin olun.*
- *PVR işlevi için USB aygıtı bellek boyutu büyüdükçe, kayıt süresi uzar.*
- *Kayıtta kanal veya sinyal kaynağını değiştirmek isterseniz, kanalı veya kaynak değiştirmeyi yapmadan önce kayıt verilerini saklayın.*
- *Eğer dosya parametreleri sistem sınırlarını aşarsa, cihaz dosyaları oynatamaz, dosya biçimi desteklenmemektedir, dosya hasar görmüş veya dosya kodu çözülemez.*
- *Sistem bir dosyayı okurken ya da veri aktarıırken USB bellek aygıtını çıkarmayın, aksi halde sistem veya aygıt hasar görebilir.*

Program Listesi

Programlanan kaydı çalıştırmak için bu işlev kullanılır.

1. Uzaktan kumandadaki **OPTION** düğmesine basın ve **QUICK ACCESS > Schedule List** (Hızlı erişim > Listeyi programla)'yı seçin.
2. **OK** düğmesine basarak **Schedule List** (Program Listesi)'ni görüntüleyin.
3. Liste programlamaya bir program eklemek için, ilk olarak kırmızı düğmeye basarak **Schedule List** (Listeyi programla)'yı gösterin. Ardından,
 - **Channel Number** (Kanal numarası): **</>** düğmesini kullanarak kanal numarasını seçin.
 - **Start Date** (Başlangıç tarihi): rakam düğmelerini kullanarak kayıt tarihini ayarlayın.
 - **Start Time** (Başlangıç zamanı): kaydın başlangıç zamanını ayarlayın.
 - **Stop Time** (Durma saati): kaydın

duracağı zamanı ayarlayın.

- **Schedule Type** (Programlama türü):
 - **Reminder** (Anımsatıcıyı), ayarladığınız zaman geldiğinde programlanan programa değiştirmeye hatırlatmasına ayarlayın. Zaman geçtiğinde ve herhangi bir işlem yapmadığınızda, iletişim kutusu ortadan kaybolacak ve ileriki bir işlem gerçekleştirilmeyecektir.
 - **Record** (Kaydet'i), ayarladığınız zaman geldiğinde programlanan kaydınızı gerçekten başlatmak isteyip istemediğinizi kontrol etmeye ayarlayın. Zaman geçtiğinde ve herhangi bir işlem gerçekleştirmediğinizde programlanan kayıt otomatik olarak başlayacaktır.
 - **Repeat Type** (Yineleme türü): kayıt için farklı yineleme modu ayarlayın.
4. **^/V/</>** düğmesine basarak **Add** (Ekle)'yi seçin, ardından **OK**'a basarak programladığınız listenizde ayarladığınız programı ekleyin.
 5. Kırmızı düğmeye basarak başka bir program eklemek için yukarıdaki prosedürleri tekrarlayın.
 6. Bir programı düzenlemek ya da silmek istediğinizde, bunu seçin ve **OK**'a basarak girin.
 7. **EXIT**'a basarak menüyü kapatın.

Ağ bağlantısı

Televizyonunuzu ayarlayabilirsiniz, böylece kablolu veya kablosuz bağlantı kullanarak yerel alan ağınızdan (LAN) internete erişebilirsiniz.

Kablolu bir ağa bağlanma

Kabloyu kullanarak üç şekilde TV'nize ilişebilirsiniz:

- TV'nizdeki LAN girişinden TV'nizi Cat 5 kablosu ile harici modeme bağlamak için LAN'a bağlayabilirsiniz.
- TV'nizdeki LAN girişine bağlayarak TV'nizi harici modeme takılı olan IP Paylaşıcıya bağlamak için LAN'ınıza bağlayabilirsiniz. Bağlantı için Cat 5 kablosu kullanın.
- Ağınızın nasıl yapılandırıldığına bağlı olarak, TV'nizdeki LAN bağlantısını doğrudan Cat 5 kablosunu kullanarak bir ağ duvarı çıkışına yaparak TV'nizi LAN'ınıza bağlayabilirsiniz. Duvar prizinin bir modeme veya evinizdeki başka bir yönlendiriciye bağlı olduğunu not edin.

SETUP > Network > Settings > Interface (Ayarlar > Ağ > Ayarlar > Arayüz) seçin, sonra bir kablolu ağa bağlanmak için **Ethernet**'i (Ethernet) seçin.

Kablosuz bir ağa bağlanma

TV'nizi ağınıza kablosuz olarak bağlamak için, kablosuz bir modem ve bir WIFI adaptörü gereklidir, bunu ayrıca satın alabileceksiniz. WIFI-adaptörünü TV'nizin **USB 1** girişine bağlayın.

1. **SETUP > Network > Settings > Interface** (Ayarlar > Ağ > Ayarlar > Arayüz) seçeneğini belirleyin, ardından **Wireless** (Kablosuz) seçeneğini seçerek kablosuz bir ağa bağlayın.
2. **Wireless Setting** (Kablosuz ayar) seçeneğini seçin ve **OK/>** tuşuna basarak giriş yapın.
3. **Bağlantı Yöntemleri**: Kablosuz ağ bağlantısını üç yolla yapabilirsiniz.
 - **Scan** (Tara)
 - **Wireless Setting > Scan** (Kablosuz ayar > Tara) seçeneğini belirleyin, ardından **OK/>** tuşuna basın, TV menzil içinde bulunan tüm erişim noktalarını tarayacaktır. TV tarafından bulunan erişim noktaları görüntüleyecektir.
 - Mevcut bir erişim noktası seçin, ardından **OK/>** tuşuna basarak TV'yi buna bağlayın.

Notlar:

- Eğer korunan bir erişim noktası seçmişseniz, ilgili parolayı girmeniz gerekecektir. Uzaktan kumandadaki **OK** düğmesine basarak parola girmenizi sağlayacak sanal klavyeyi görüntüleyin.
- Bu televizyonda mevcut erişim noktasının bellek işlevi vardır, bu işlev televizyonu kapattıktan sonra açsanız dahi televizyonunuzun ağa bağlanmasına olanak sağlar.
- **Manual** (Manüel)
 - **Wireless Setting > Manual** (Kablosuz ayar > Manüel) seçin, ardından **OK/>** düğmesine basın, bağlantıyı kurmak için mevcut kablosuz yönlendiricinin doğru SSID'sini girmeniz için uyarı verilecektir.
- **Auto** (Oto)
 - Eğer AP'niz WPS (Wi-Fi Korumalı Ayar) destekliyorsa, PIN (Kişisel Tanımlama Numarası) veya PBC (Basmalı Düğme Yapılandırması) ile ağa

bağlanabilirsiniz. WPS her iki modda da SSID ve WPA anahtarını otomatik olarak yapılandıracaktır.

Wireless Setting > Auto (Kablosuz ayar > Oto)'yu seçin, ardından **OK/>** tuşuna basarak giriş yapın.

- **PIN (PIN): PIN** (PIN) seçin ve **OK/>** tuşuna basarak giriş yapın. Rastgele bir PIN kodu oluşturun. Bu kodun AP'ye kurulduğundan emin olun. (Prosedürler için, yönlendirici kılavuzuna bakın.) **OK/>** düğmesine tekrar basara bağlantıyı kurun.
- **PBC (PBC):** Eğer yönlendiricinizde basmalı PBC düğmesi varsa, **PBC (PBC)** seçin, ardından **OK/>** düğmesine basara giriş yapın. **OK/>** düğmesine tekrar bastıktan sonra yönlendiricinizde 2 dakika içinde PBC düğmesine basın. TV'niz gerekli olan tüm ağ ayarları değerlerini otomatik olarak alacak ve ağınıza bağlanacaktır.

Ağ kurulumu

1. Uzaktan kumandadan **MENU** düğmesine basın ve **SETUP > Network > Settings > Internet Connection** (Ayarlar > Ağ > Ayarlar > İnternet bağlantısı) ayarlarını seçin. **</>** düğmesine basarak **On** (Açık) seçeneğini belirleyin. Bağlantı otomatik olarak kuruluncaya kadar bekleyin.
2. **SETUP > Network > Settings > Connection Test** (Ayarlar > Ağ > Ayarlar > Bağlantı testi) seçeneğini belirleyin, ardından **OK/>** düğmesine basarak internet bağlanabilirliğini kontrol edin. Eğer bu çalışmazsa, aşağıdaki adımları izleyerek bağlantıdan emin olun.
3. **SETUP > Network > Settings > IP Setting** (Ayarlar > Ağ > Ayarlar > IP ayarı) seçeneğini belirleyin, ardından **OK/>** tuşuna basarak **IP Setting** (IP ayarı) menüsüne giriş yapın.
 - **Address Type** (Adrs türü)'nü **Auto** (Oto)'ya ayarlayın, gerekli olan IP adresini otomatik olarak alacak ve girecektir.
 - Aşağıdaki adımları izleyerek IP adresinizi manüel olarak girin.
 - **Address Type** (Adrs türü)'nü **Manual** (Manüel)'e ayarlayın, ardından **√** tuşuna basarak ilk giriş alanına gidin.

- **IP Address** (IP adresi), **Subnet Mask** (Altağ maskesi), **Default Gateway** (Varsayılan ağ geçidi), **Primary DNS** (Birincil DNS) ve **Secondary DNS** (İkincil DNS) değerlerini girin. Hane düğmelerini kullanarak numaraları girin v ok düğmelerini kullanarak bir giriş alanından diğerine geçin.
 - Ayarladıktan sonra, **SETUP > Network > Settings > Connection Test** (Ayarlar > Ağ > Ayarlar > Bağlantı testi) seçeneğini belirleyerek internet bağlanabilirliğini tekrar kontrol edin.
4. **SETUP > Network > Settings > Information** (Ayarlar > Ağ > Ayarlar > Bilgi) seçeneğini belirleyin, ardından **OK/>** düğmesine basarak Arayüz, Adres türü, IP adresi gibi mevcut bağlantıdaki bilgileri görüntüleyin.

Paylaş ve Gör'den PC'ye göz atın

Bir ev ağı ile bağlanan bir bilgisayarda fotoğraflarınız, videolarınız veya müzik dosyalarınız varsa, dosyalarınızı TV'nizde oynatabilirsiniz.

PC'nize bağlanma

İlk olarak TV'nizden yönlendiricinize kablolu veya kablosuz bağlantı kurduğunuzdan emin olun. Ardından bir ağ kablosu aracılığıyla ya da kablosuz olarak PC'nizi yönlendiricinize bağlayın.

Anı zamanda **SETUP > Network > Settings > Internet Connection** (Ayarlar > Ağ > Ayarlar > İnternet Bağlantısı)'nın **Açık** olduğundan ve bilgisayarınızın aygıt yazılımının bağlantıyı engellemediğinden emin olun.

Paylaş ve Gör işlevini etkinleştirme

SETUP > Network > Applications > Share & See (Ayarlar > Ağ > Uygulamalar > Paylaş ve Gör)'ü seçin ve **On** (Açık)'a ayarlayın.

Burada belirtilen adımları izleyin.

Paylaşım için PC'nizden ortam ekleme

PC'nize bir Paylaş ve Gör ortam sunucusu kurun. Kurabileceğiniz basit ve aşına olduğunuz sunucu Microsoft Windows Media Player 11'dir. TV'nizin belirtilen dosyaları PC'nizde paylaşmasına olanak sağlayın.

1. Microsoft Windows Media Player 11'i açın.

- **Library > Media sharing** (Kitaplık > Ortam paylaşımı)'ni seçin.
- **Share my media to** (Mdyamı paylaş) onay kutusunu işaretleyin.
- PC'nize bağlanan TV'nizin simgesini seçin.
- **Allow** (İzin ver) ögesini seçerek TV'nin PC'nize erişmesine izin verin ve **OK** tuşunu seçerek izin verin.

*Not: Arzu ettiğiniz ayarları özelleştirmek için **Settings** (Ayarları) düğmesini kullanın.*

2.
 - **Library > Add to Library** (Kitaplık > Kitaplığa Ekle) ögesini seçin.
 - Kişisel klasörleri veya paylaşmak için erişim sağlayabildiğiniz diğer kullanıcıların klasörlerini seçin.
 - **Add** (Ekle) ögesini seçin ve **OK** tuşuna basarak eklemeyi etkinleştirin.

Paylaş ve Gör uygulaması

Ana menüden **MEDIA** (Ortam) seçeneğini seçin ve ortam merkezine giriş yapmak için **OK** üzerine basın. Daha sonra bilgisayarınızda kayıtlı fotoğrafları görüntüleyebilir, müzik dinleyebilir veya video izleyebilirsiniz.

Akıllı TV

Özellikle TV'nize uyarlanan internet web sitelerine olarak sağlamak için internet uygulamalarını (Apps) keyifle kullanmanızı sağlar. Televizyonun uzaktan kumandasıyla Uygulamaları kontrol edebilirsiniz.

UYARI:

- **Smart TV**'yi kullanmadan önce ağ ayarlarını yapılandırın.
- Ağ koşullarınıza bağlı olarak yavaş yanıtlar ve/veya kesintiler meydana gelebilir.
- Bir uygulamayı kullanırken bir sorun yaşarsanız, lütfen içerik sağlayıcıyla irtibat kurun.
- İçerik sağlayıcının koşullarına göre, bir uygulamanın güncellemeleri ya da uygulamanın kendisi yarıda kalabilir.
- Ülkenizin yönetmeliklerine bağlı olarak, bazı uygulamalar sınırlı hizmete sahip olabilir ya da desteklenmeyebilir.

Akıllı TV Uygulamalarına (Apps) Erişim

1. Ana menüden **SMART TV** (Akıllı TV) 'yi seçin ve akıllı TV ana sayfasını

görüntülemek için **Tamam** üzerine basın.

Kısayollarla çalışma: Uzaktan kumandadaki **SMART TV** (Akıllı TV) ögesini seçerek doğrudan akıllı TV ana sayfasını görüntüleyin.

2. Bir Uygulama seçmek için **^/V/</>** ögesini kullanın ve **OK** üzerine basarak giriş yapın.

HbbTV

Bazı dijital kanal yayıncıları interaktif HbbTV (Hybrid Broadcast Broadband TV) hizmeti sağlar.

HbbTV ile yayın kuruluşları normal TV programlarını her tür bilgi veya eğlence ile birleştirir. Bu bilgilere interaktif olarak göz atabilirsiniz.

HbbTV'yi tam olarak kullanmak için, TV'nizi internete bağlamanız gereklidir.

Not: Bu özellikte TV'nize dosyalar indiremezsiniz.

HbbTV özelliğine erişim

HbbTV hizmeti sunan bir kanalı bulduğunuzda interaktif sayfaları açmak için kırmızı tuşa basın. Ardından HbbTV sayfalarında dolaşmak için **^/V/</>** ögesini kullanın ve onaylamak için **OK** üzerine basın.

Ebeveyn Kontrolü Kilit fonksiyonu parolası hakkına notlar:

- *Varsayılan parola 1234'dür. Bunu, yeni bir parola ile değiştirebilirsiniz.*
- *Süper parola 0423'dür. Eğer kodunuzu unutursanız, herhangi bir mevcut kodun yerine geçmesi için süper parolayı girin.*

Ekran çözünürlüğü:

- 1920x1080

IKEA ile iletişime geç

Eğer yeni UPPELEVA TV'niz veya Ses Sistemi hakkında kafanıza takılan sorular varsa ya da servis veya destek almanız gerekirse, www.ikea.com.tr web sitesinden IKEA Müşteri Hizmetleri ile temasa geçiniz.

Emin olmak için, mümkün olan en iyi desteği verebiliriz, lütfen bizimle temasa geçmeden önce kılavuzu dikkatlice okuyunuz. Ve aradığınızda ürünü satın aldığınız ürün numarasını hazır bulundurun. Bu 8 haneli ürün numarasını makbuzunuzda ya da UPPELEVA TV veya Ses Sisteminin arkasında görebilirsiniz.

