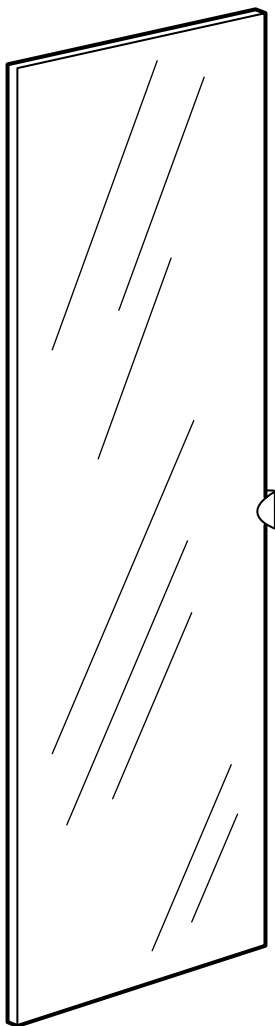
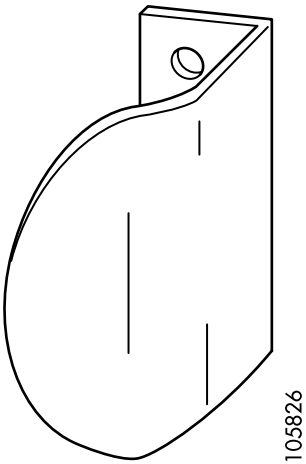
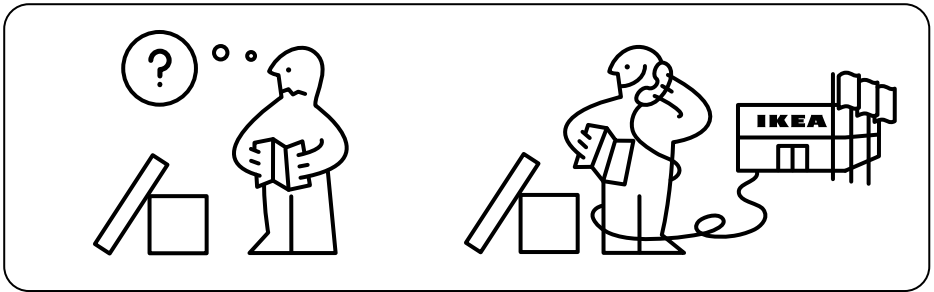
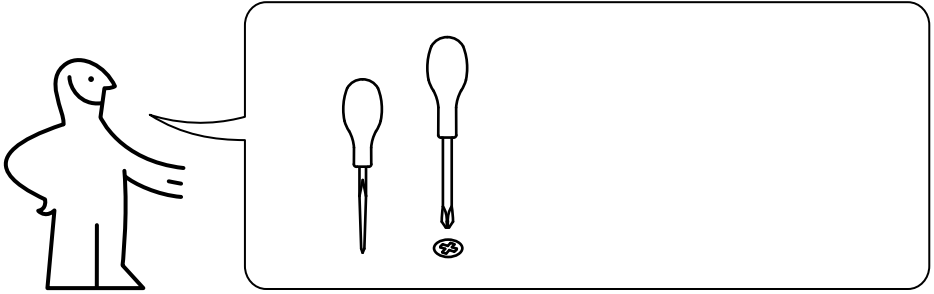


# VIKEDAL



Design and Quality  
IKEA of Sweden

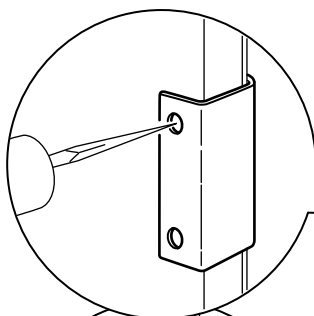
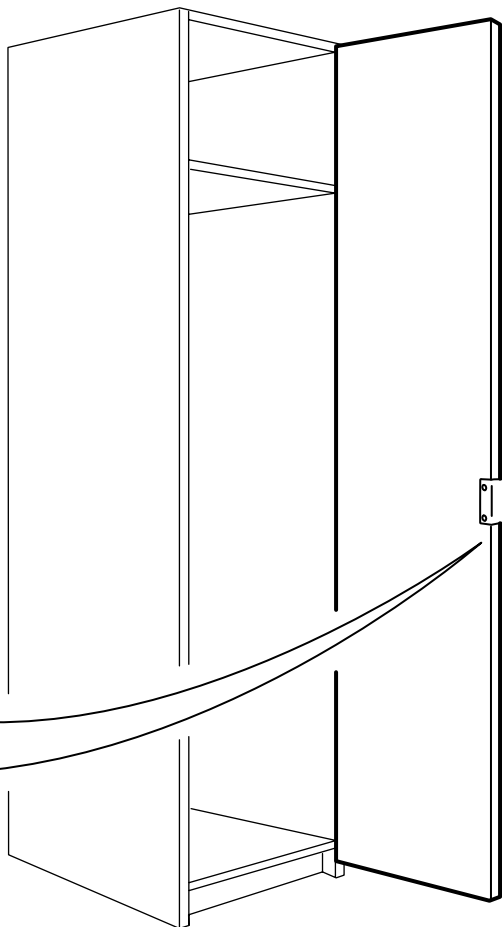


1x



2x

1



2x

