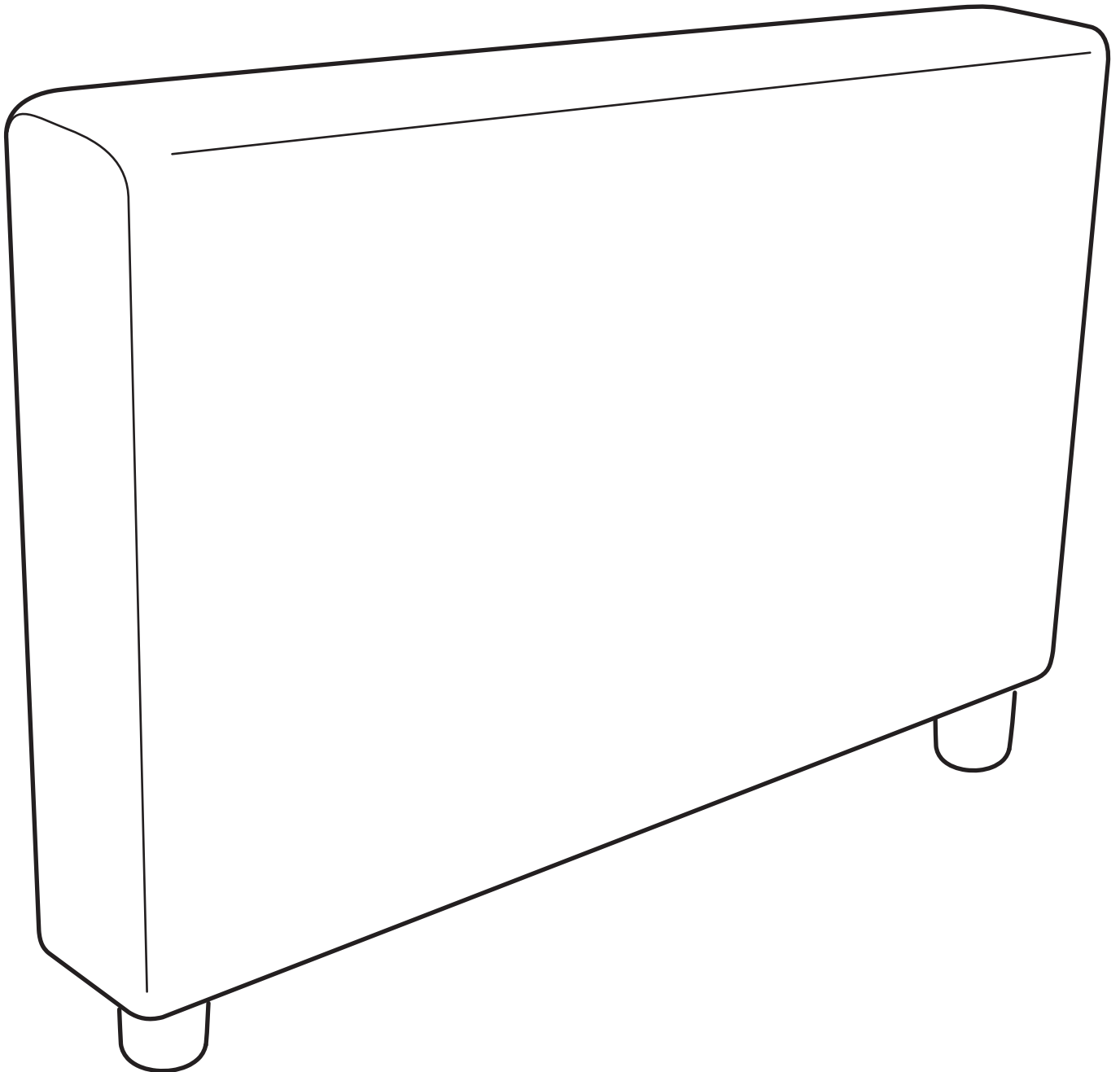
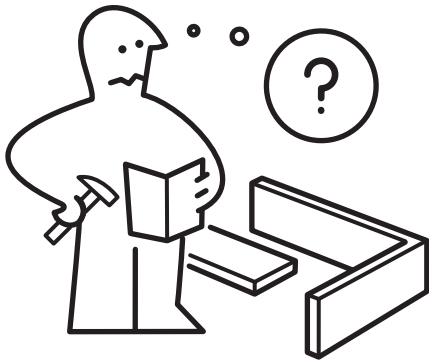
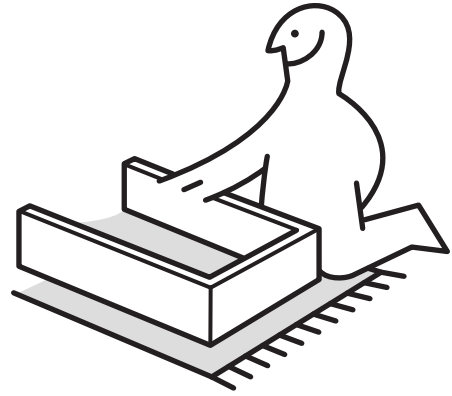
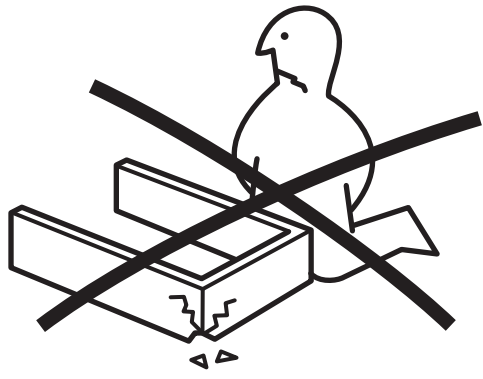


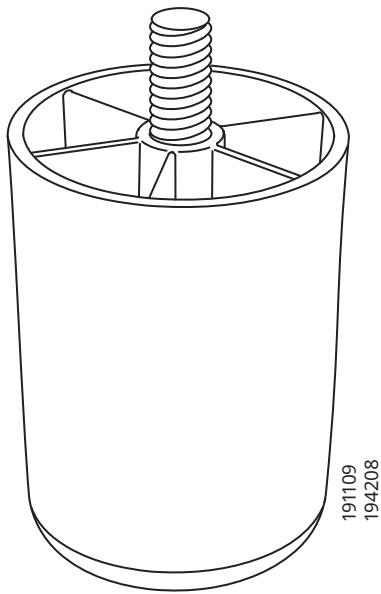
VIMLE

1

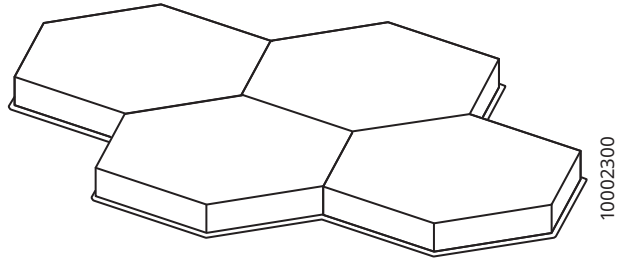


Design and Quality
IKEA of Sweden

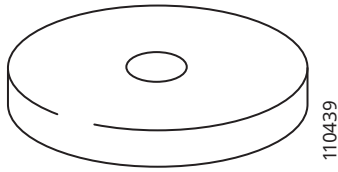




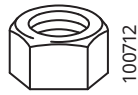
2x



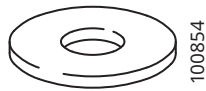
1x



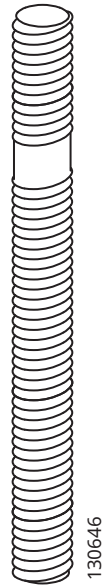
1x



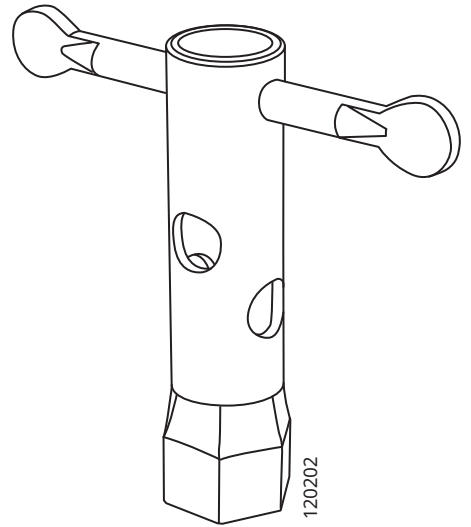
3x



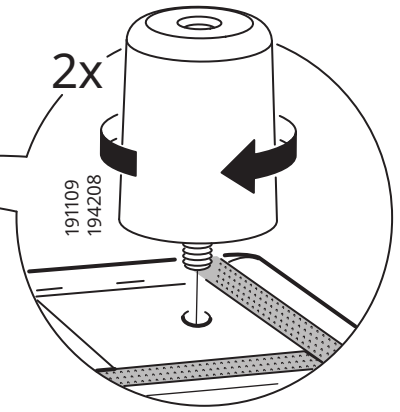
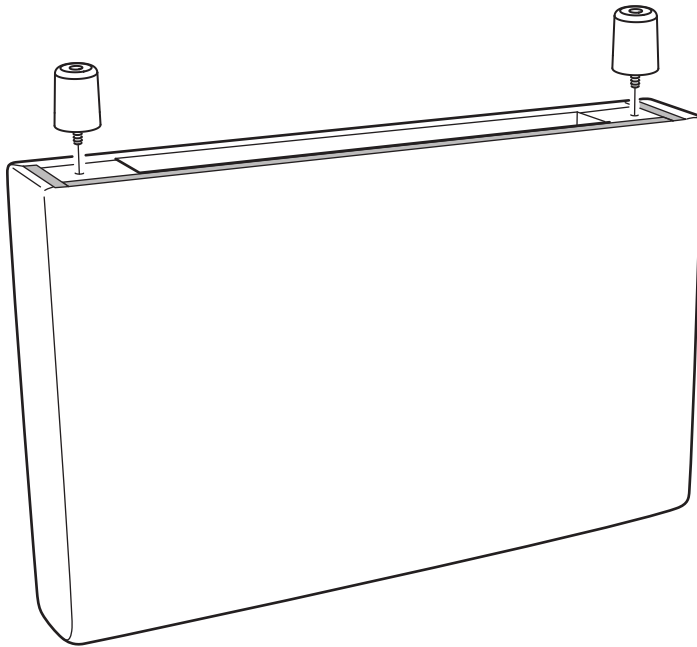
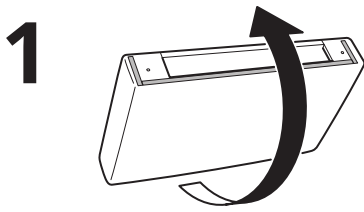
3x



3x



1x



2

